

A

B

C

D

E

4

4

3

3

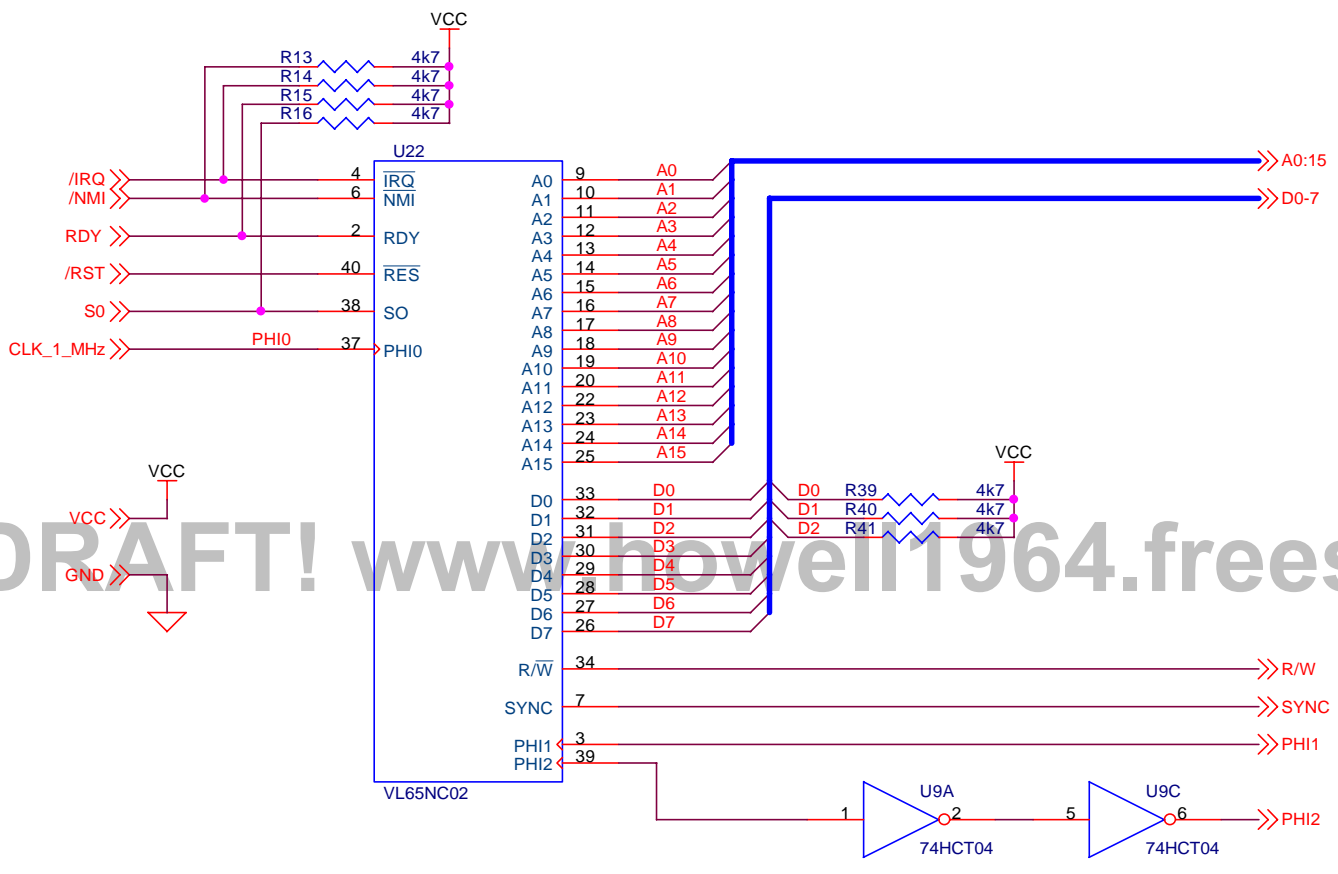
2

2

1

1

DRAFT! www.hovell1964.freemove.co.uk



1964-06-25

Title		
Atom CPU		
Size	Document Number	Rev
A4	<Doc>	1.1
Date:	Sunday, March 21, 2004	Sheet 1 of 1

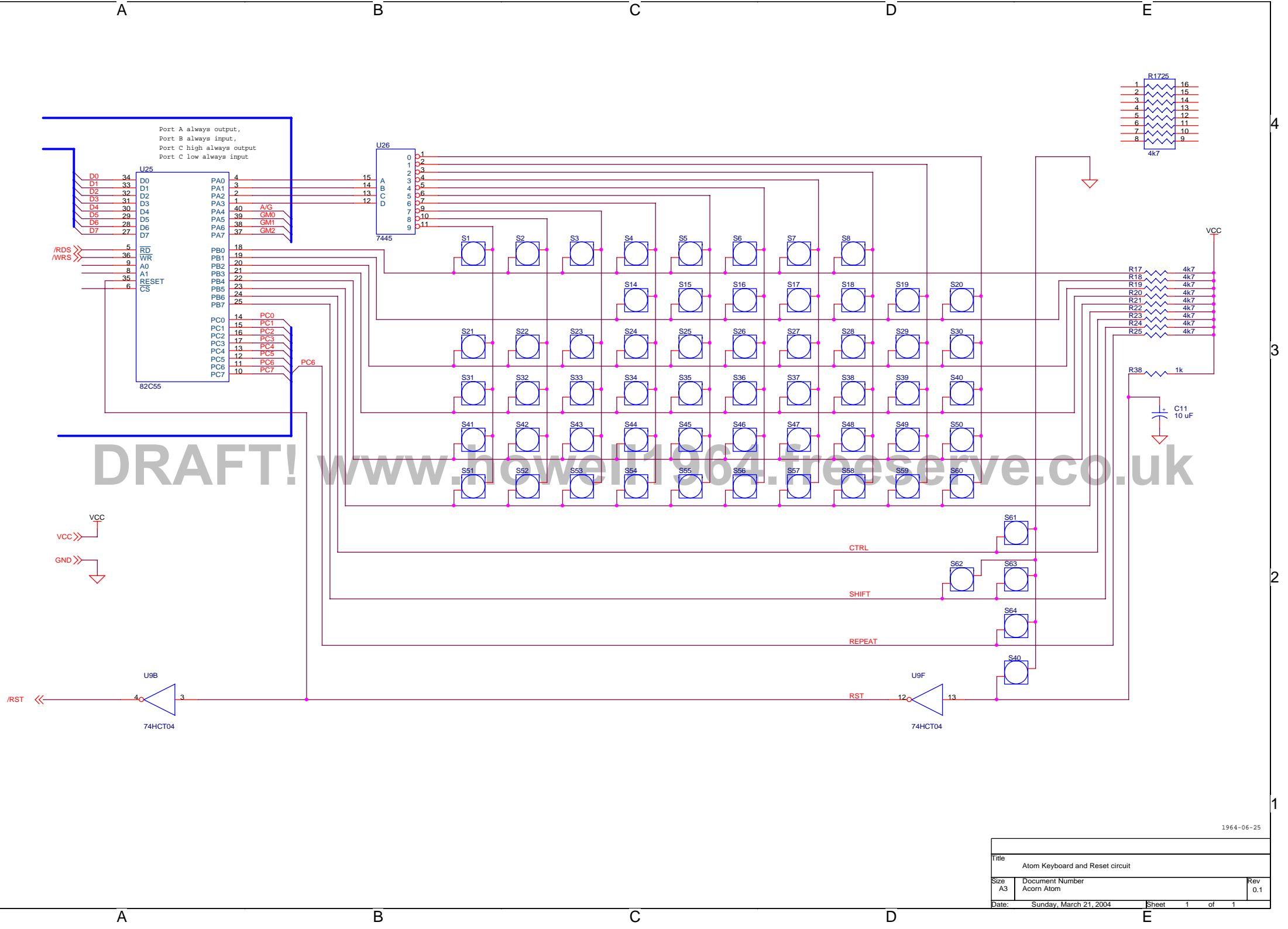
A

B

C

D

E



DRAFT! www.howell1964.freemove.co.uk

Title		
Atom Keyboard and Reset circuit		
Size	Document Number	Rev
A3	Acorn Atom	0.1
Date:	Sunday, March 21, 2004	Sheet 1 of 1

A

B

C

D

E

```

0000 03FF Block zero RAM (1K)
0400 07FF Teletext VDU RAM
0800 08FF VDU CRT controller
09xx
0A00 0A80 FDC
0C00      #

1000 Peripheral space (4K)

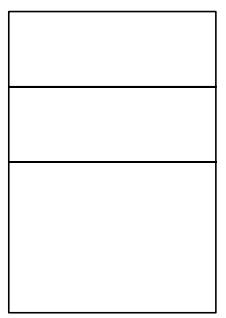
2000 3BFF On-board RAM space (6K)
3C00 7FFF Off-board RAM space (

8000 VDU Screen RAM
8400
8800
8C00
9000
9400
9800
9C00

A000 AFFF Utility ROM (4K)
B000 BFFF Secondary 6522 (printer)
C000 CFFF Atom BASIC interpreter (4K)
D000 DFFF Atom Expansion ROM (4K)
E000 EFFF Atom DOS ROM (4K)
F000 FFFF Assembler and Cassette Operating
System

```

DRAFT! www.howell1964.freeseve.co.uk



1964-06-25

Title		
ACORN ATOM MEMORY MAP		
Size	Document Number	Rev
A4	<Doc>	1.1
Date:	Sunday, March 21, 2004	Sheet 1 of 1

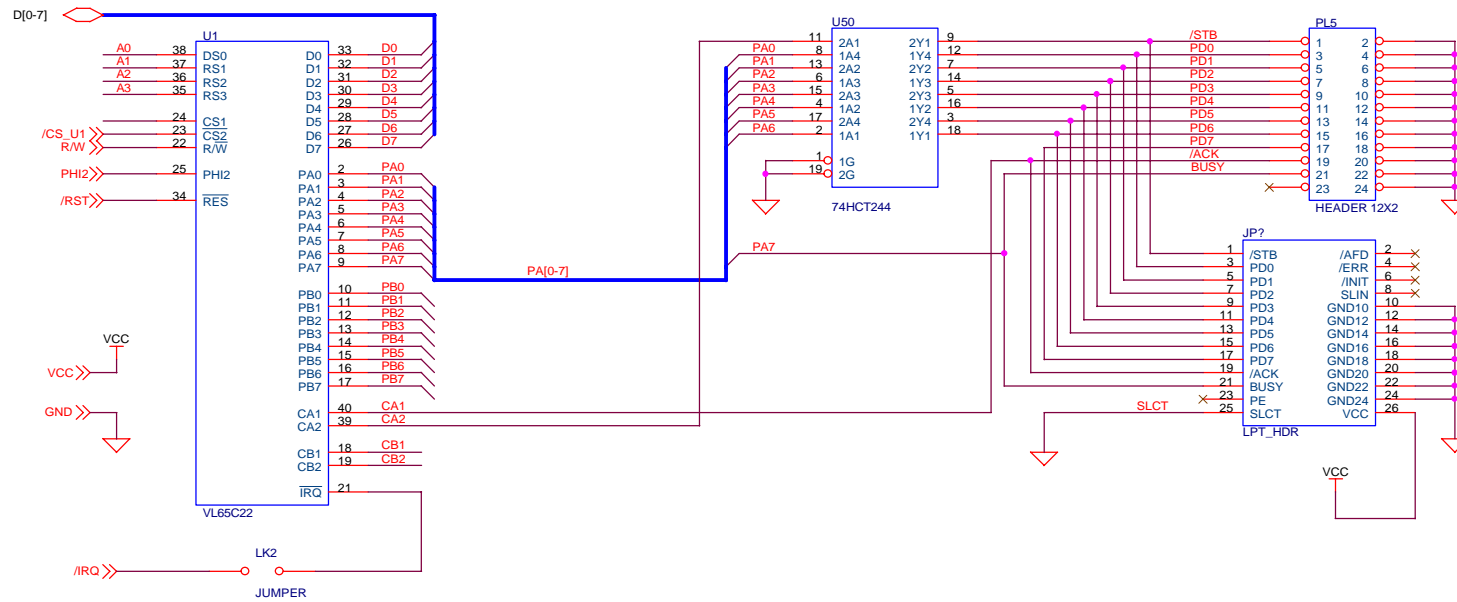
A

B

C

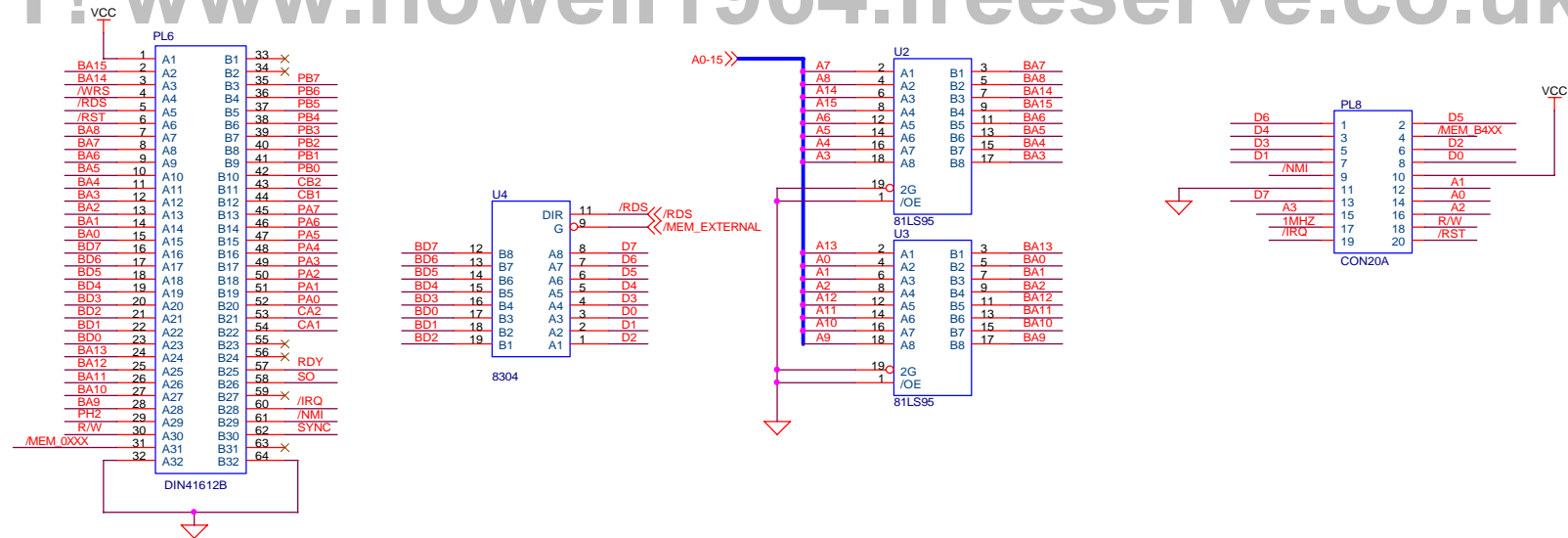
D

E



On the Atom original circuit, PL5 PD7 was left floating.
I recommend it to be grounded, or wired to an I/O bit.
LPT_HDR is wired to be compatible with the IDC-to-D25
cable assemblies used in the PC.

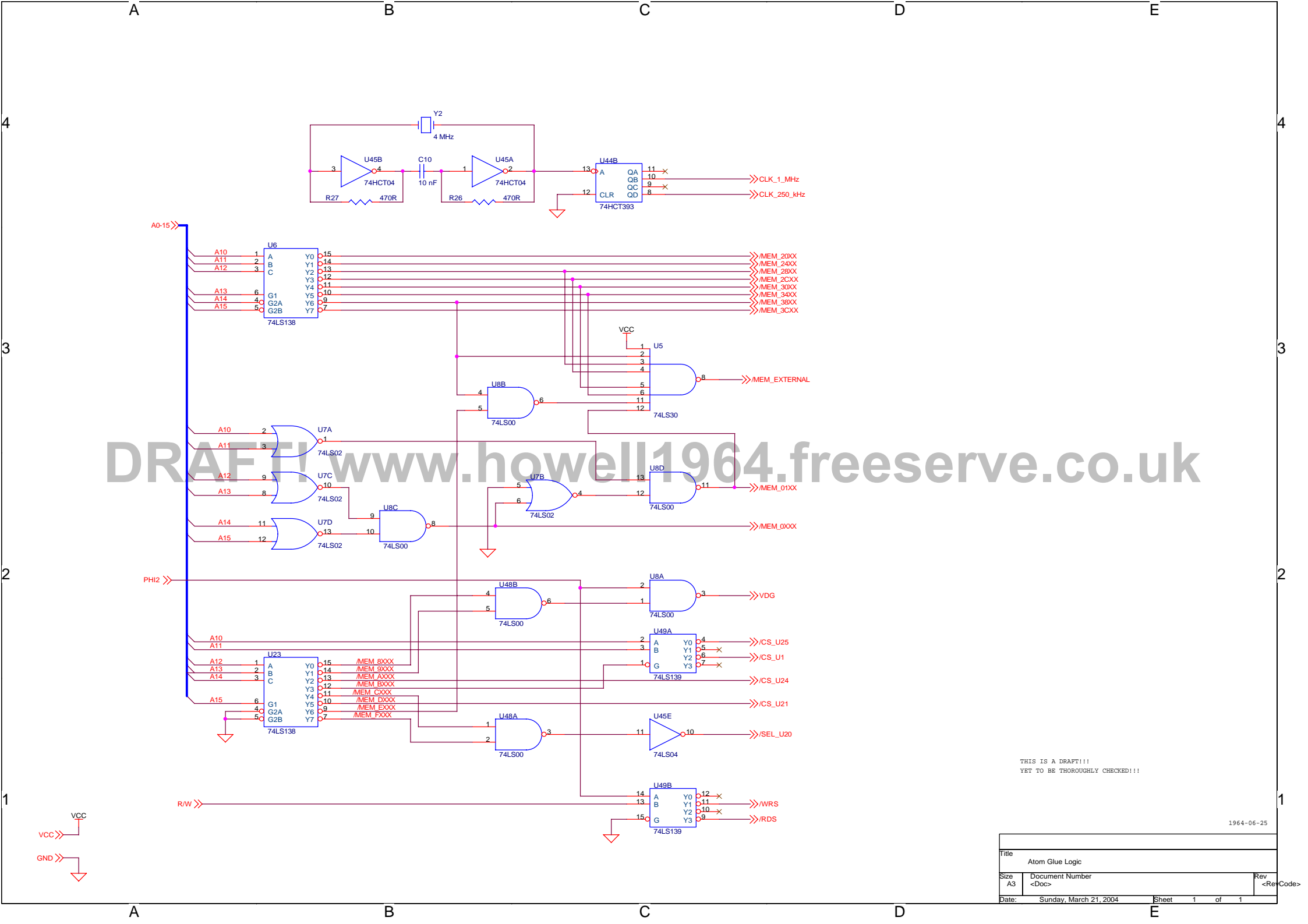
DRAFT! www.howell1964.freemove.co.uk



THIS IS A DRAFT!!!
YET TO BE THOROUGHLY CHECKED!!!

1964-06-25

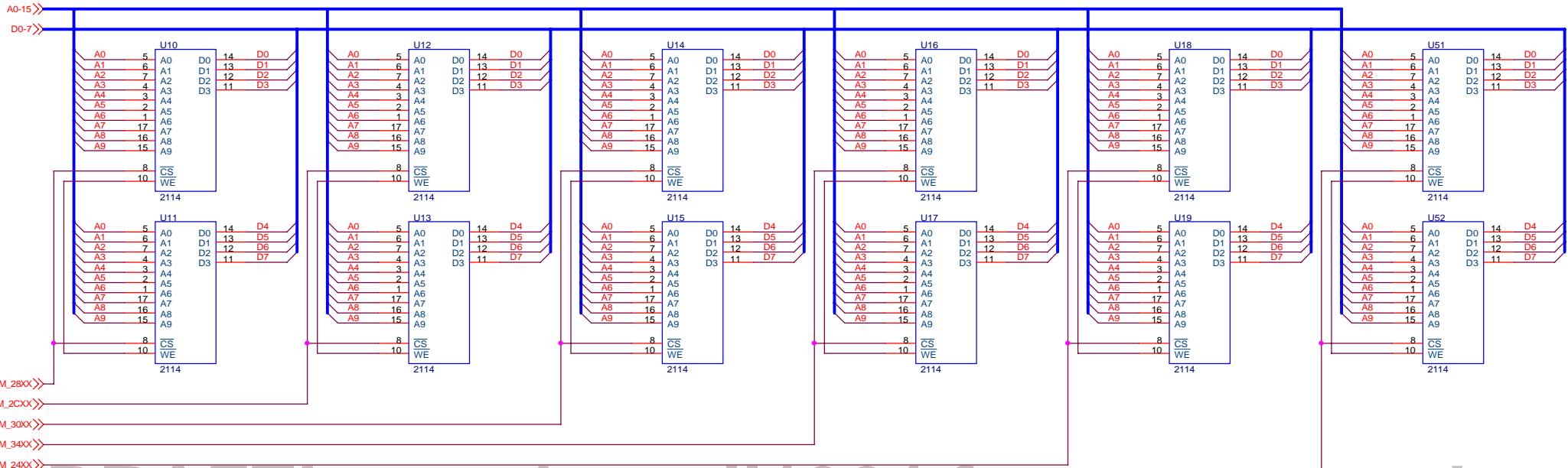
Title			Printer Port & User I/O
Size	Document Number	Rev	
A3	Acorn Atom	0.0	
Date:	Sunday, March 21, 2004	Sheet	1 of 1



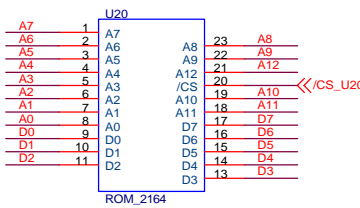
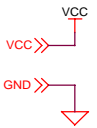
DRAFT! www.howell1964.freemove.co.uk

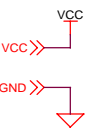
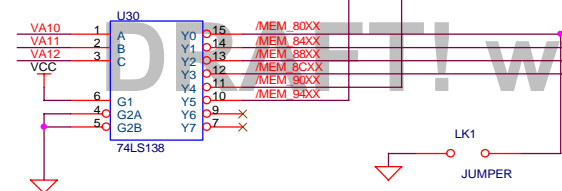
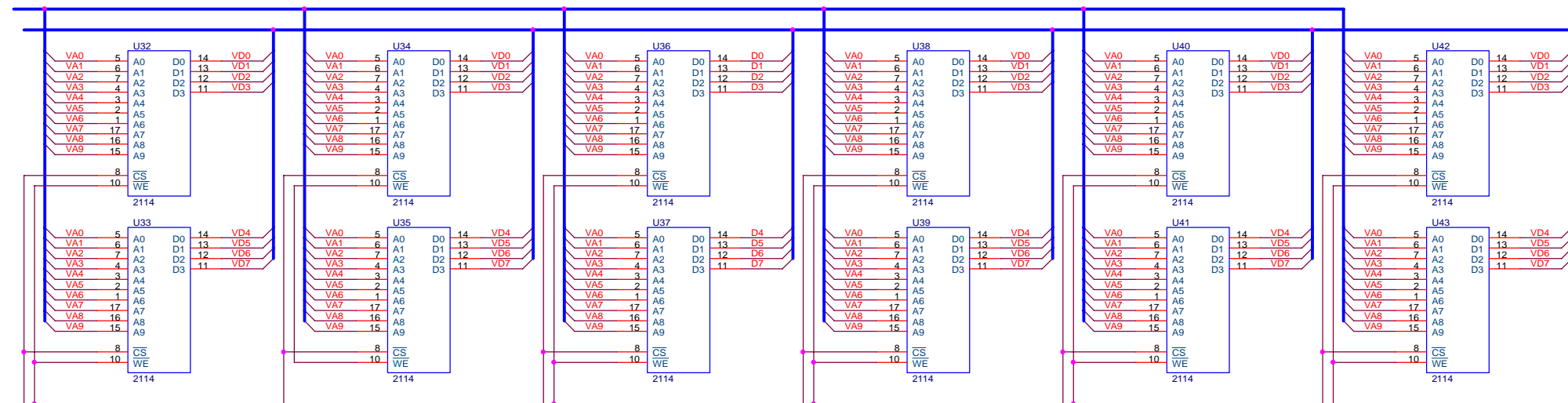
THIS IS A DRAFT!!!
YET TO BE THOROUGHLY CHECKED!!!

Title		
Atom Glue Logic		
Size	Document Number	Rev
A3	<Doc>	<Rev>
Date:	Sunday, March 21, 2004	Sheet 1 of 1



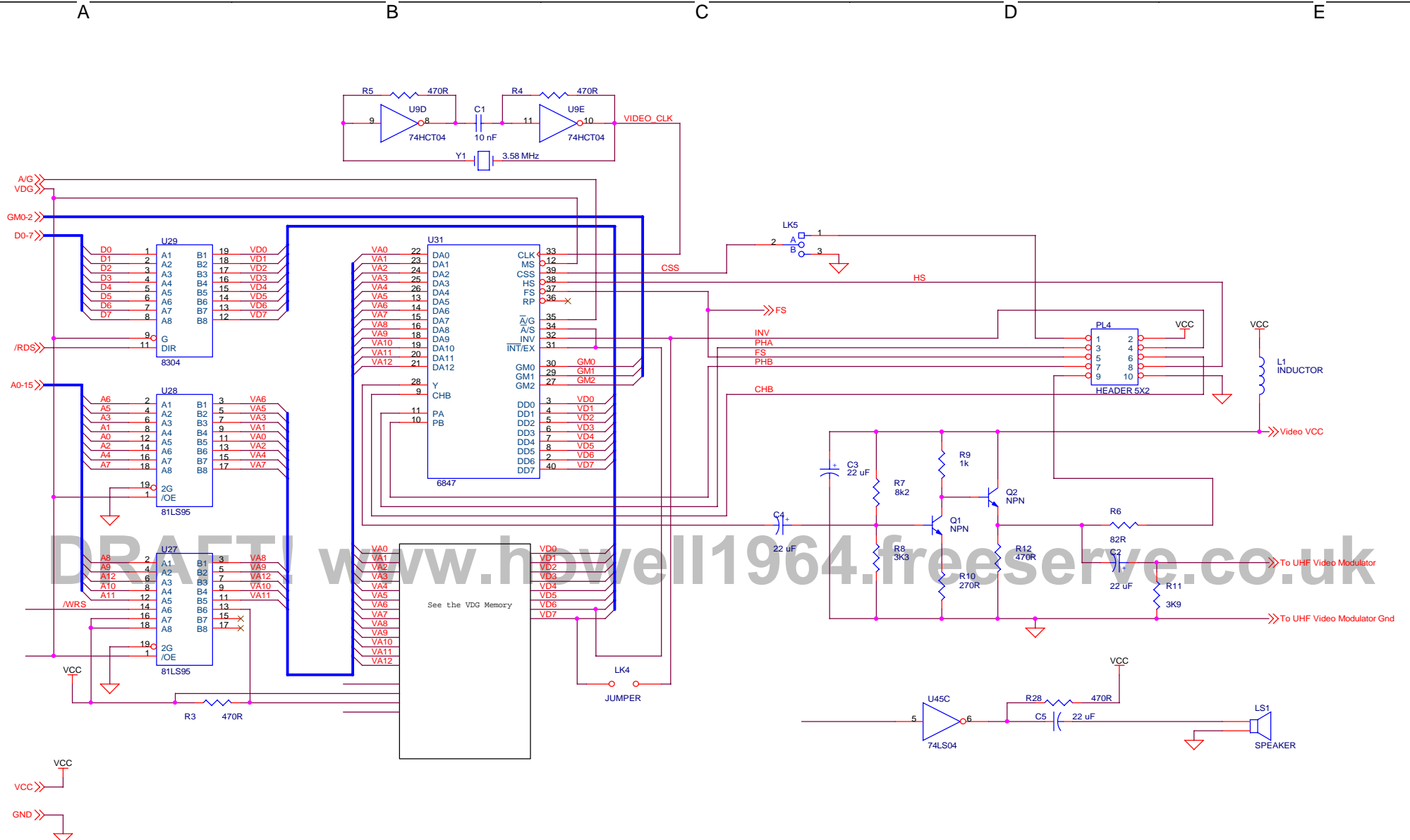
DRAFT! www.howell1964.freemove.co.uk





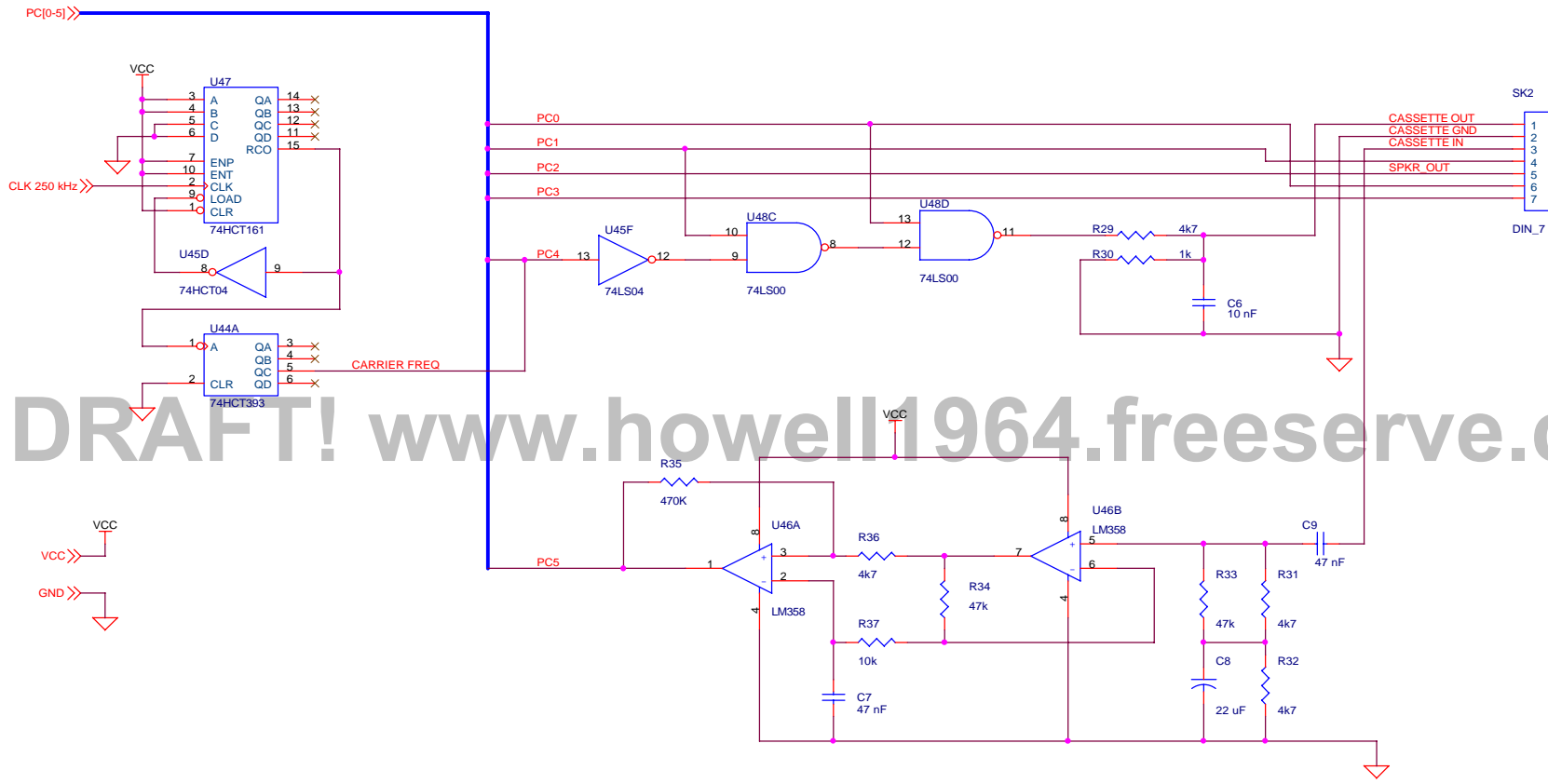
www.howell1964.freemove.co.uk

Title			Atom VDG Memory		
Size	Document Number		Rev		<RevCode>
A3	<Doc>				
Date:	Sunday, March 21, 2004		Sheet	1	of 1



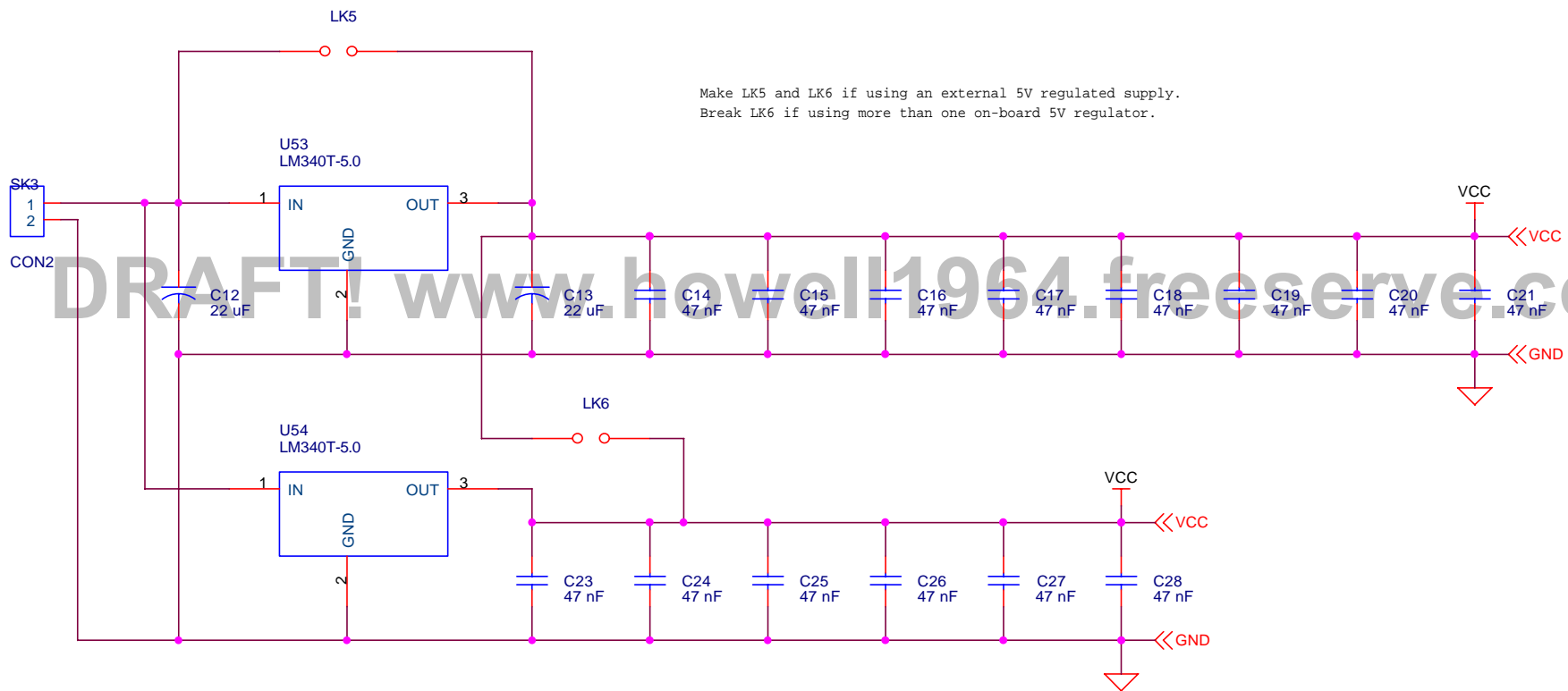
DRAFT! www.howell1964.freemove.co.uk

Title			Atom Video Circuit		
Size	Document Number		Rev		<RevCode>
A3	<Doc>				
Date:	Sunday, March 21, 2004		Sheet	1	of 1



DRAFT! www.howell1964.freemove.co.uk

Title		
Atom Cassette Interface		
Size	Document Number	Rev
A3	Acorn Atom	0.0
Date:	Sunday, March 21, 2004	Sheet 1 of 1



Make LK5 and LK6 if using an external 5V regulated supply.
 Break LK6 if using more than one on-board 5V regulator.

DRAFT! www.howell1964.freemove.co.uk

Title Atom PSU		
Size A4	Document Number <Doc>	Rev <Rev>
Date: Sunday, March 21, 2004	Sheet 1 of 1	