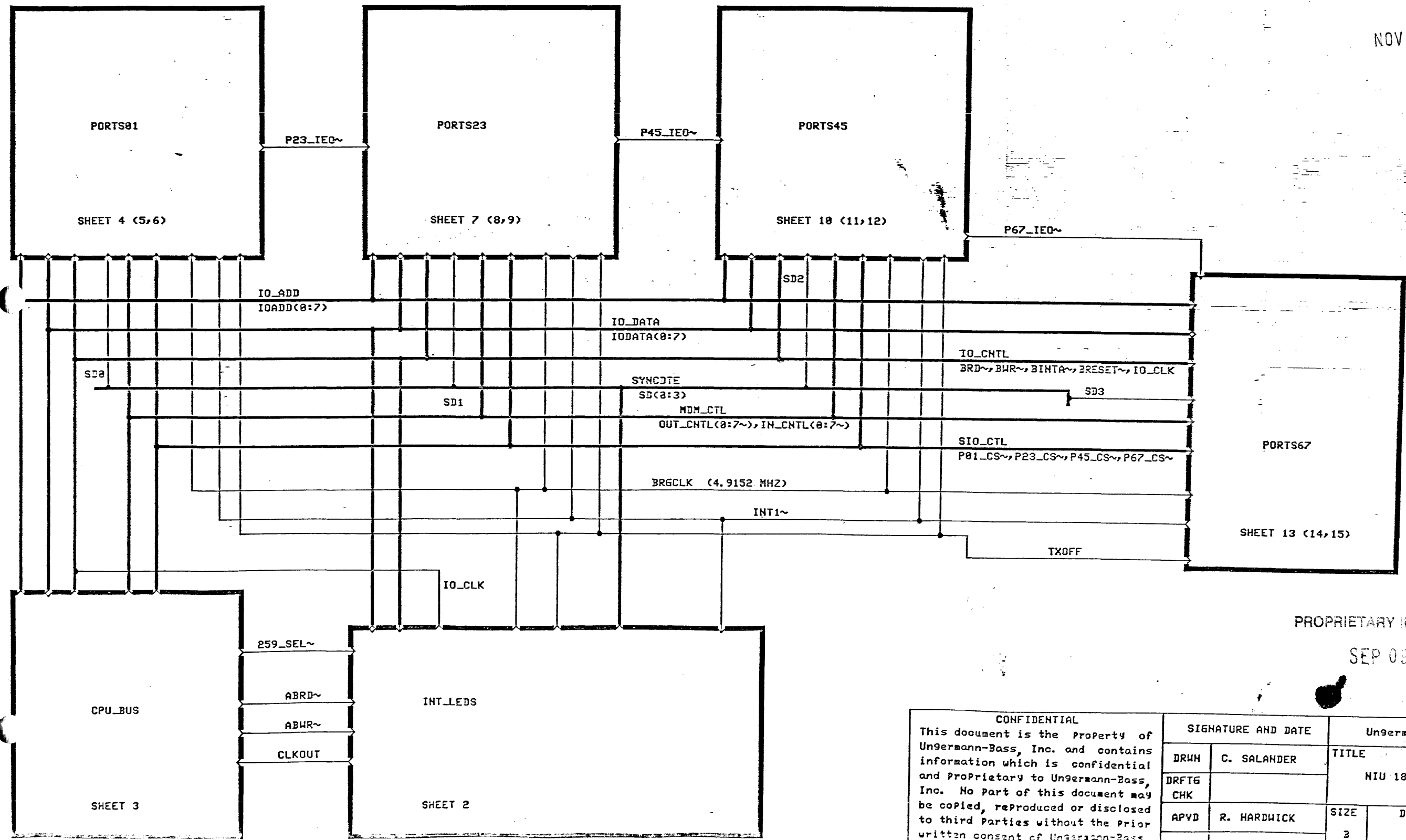


REVISIONS			
LTR	DESCRIPTION	DATE	APPROVED
A	ADD CAP PER HCO 1245 SUPERCEDES 13439-00		<i>MK</i>

NOV 4 1985



000051
AUG 25 1986

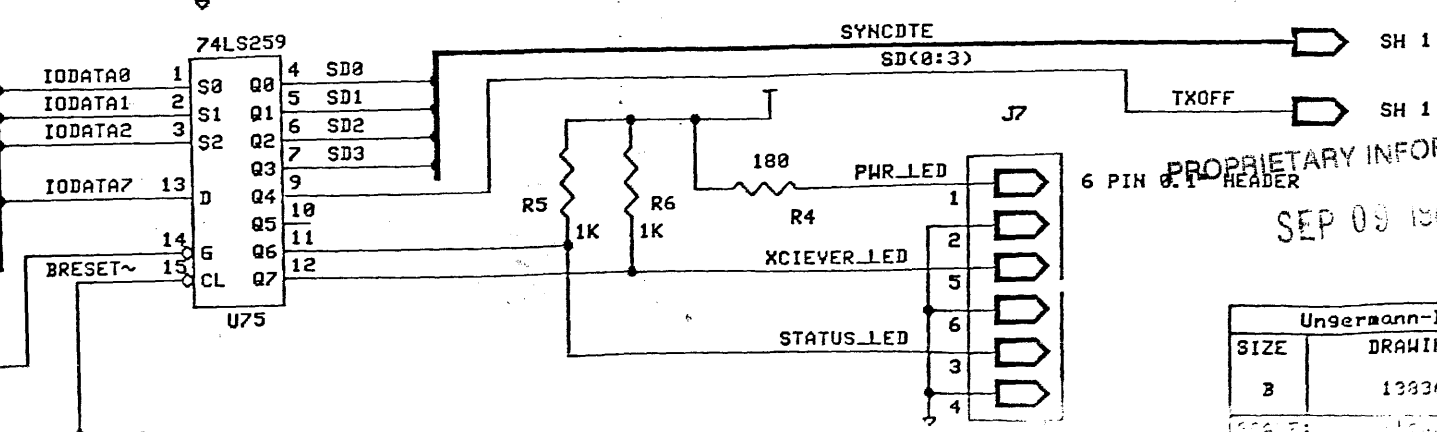
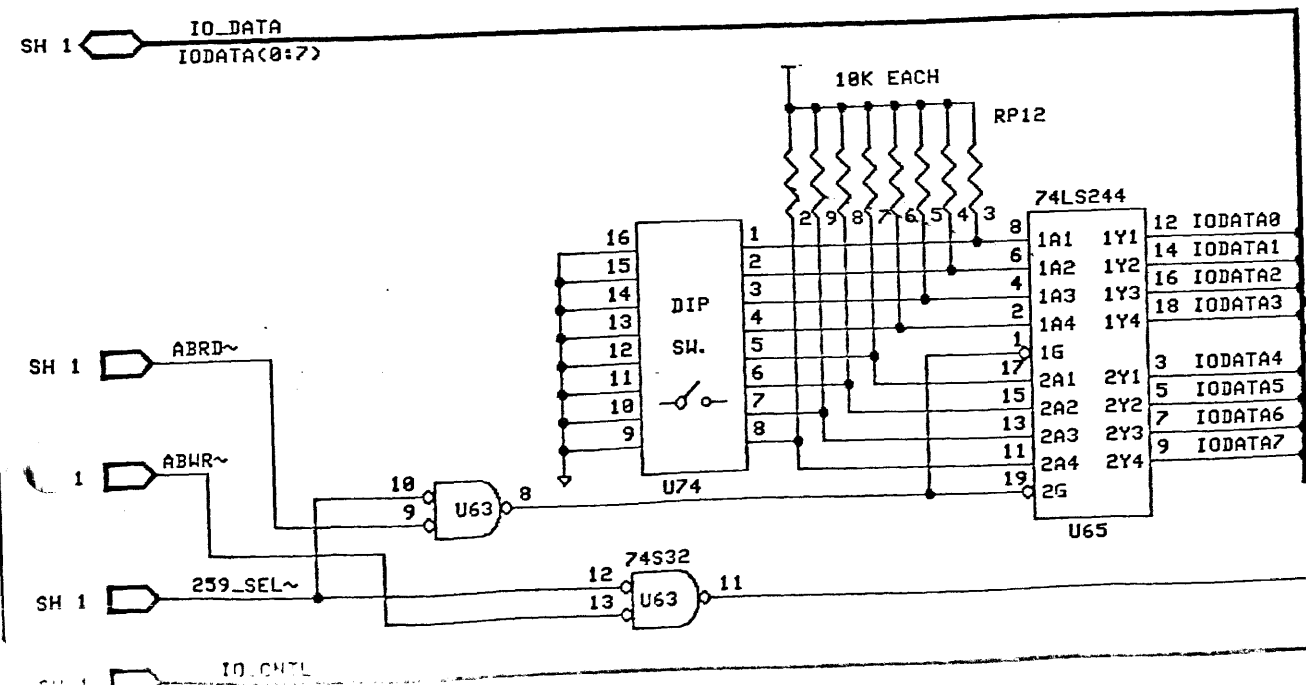
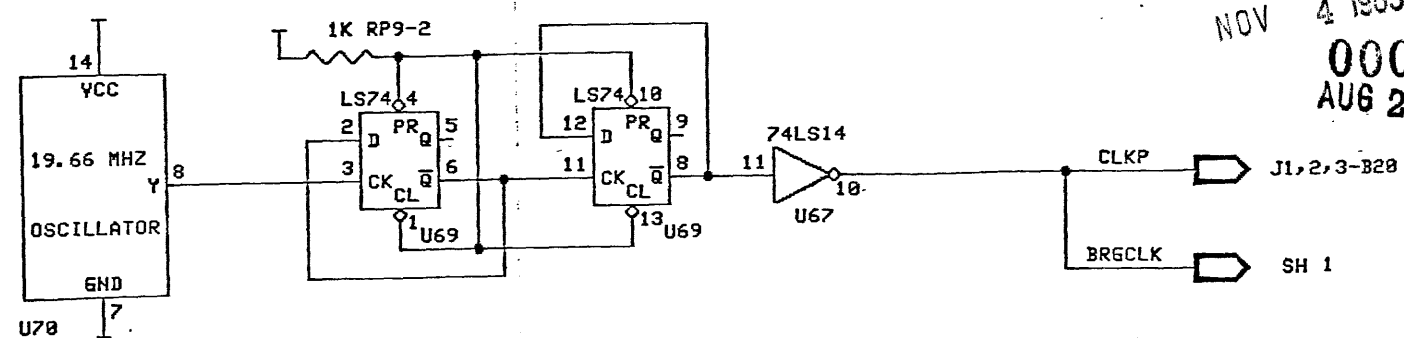
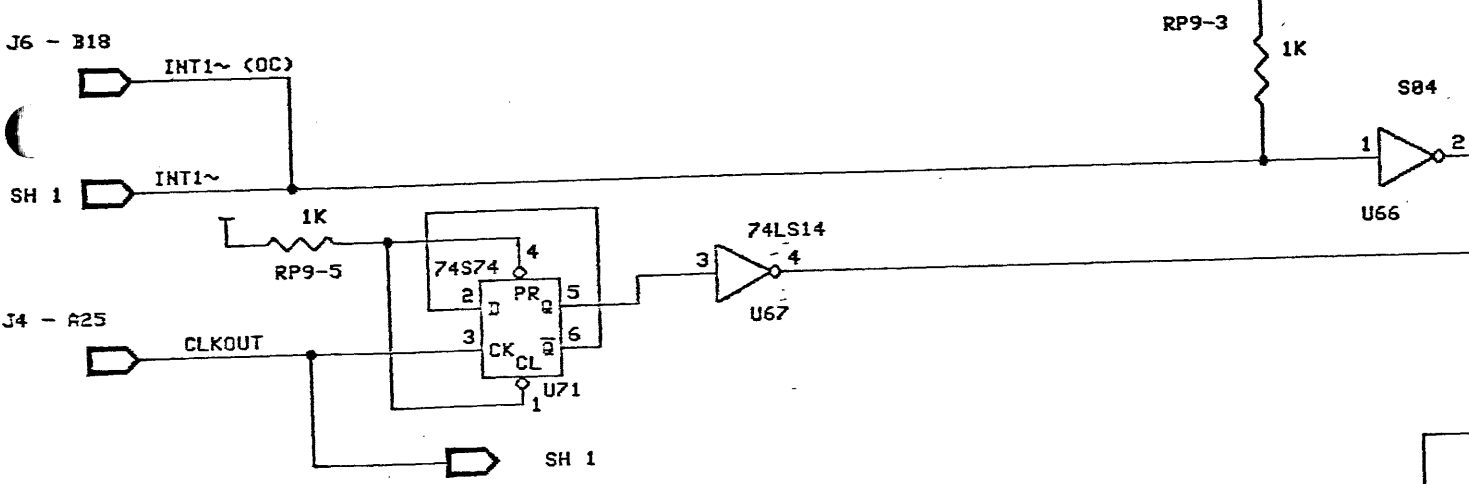
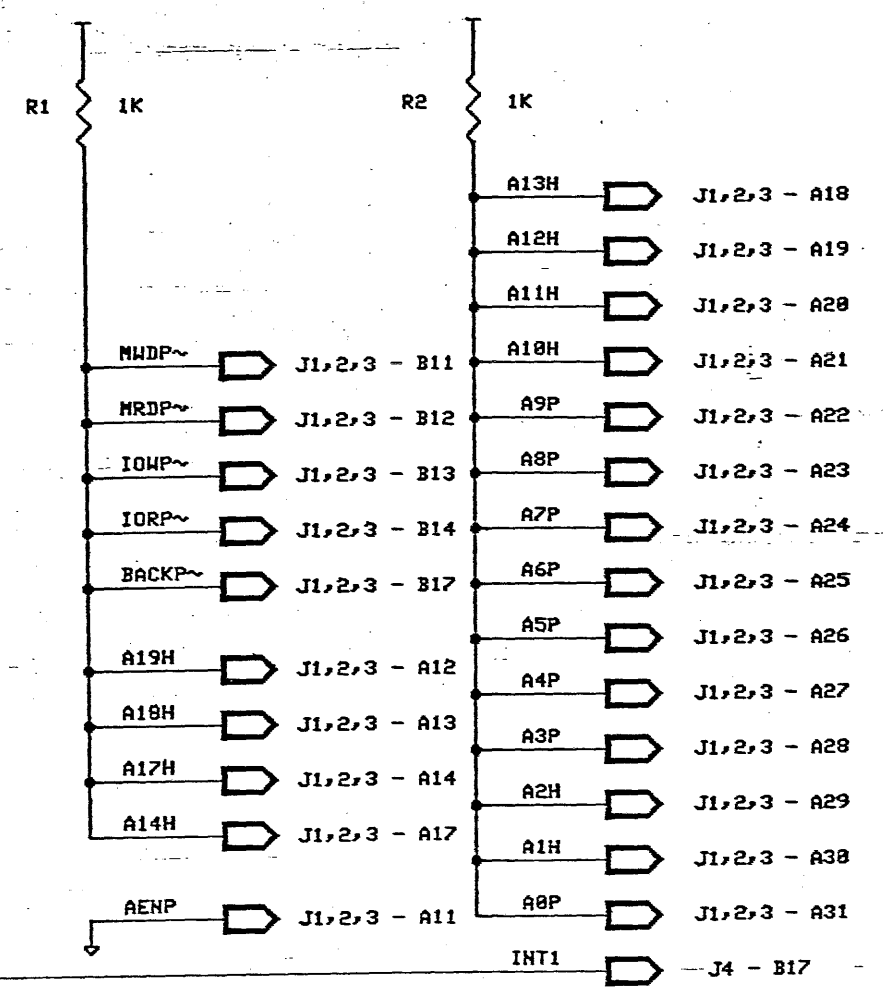
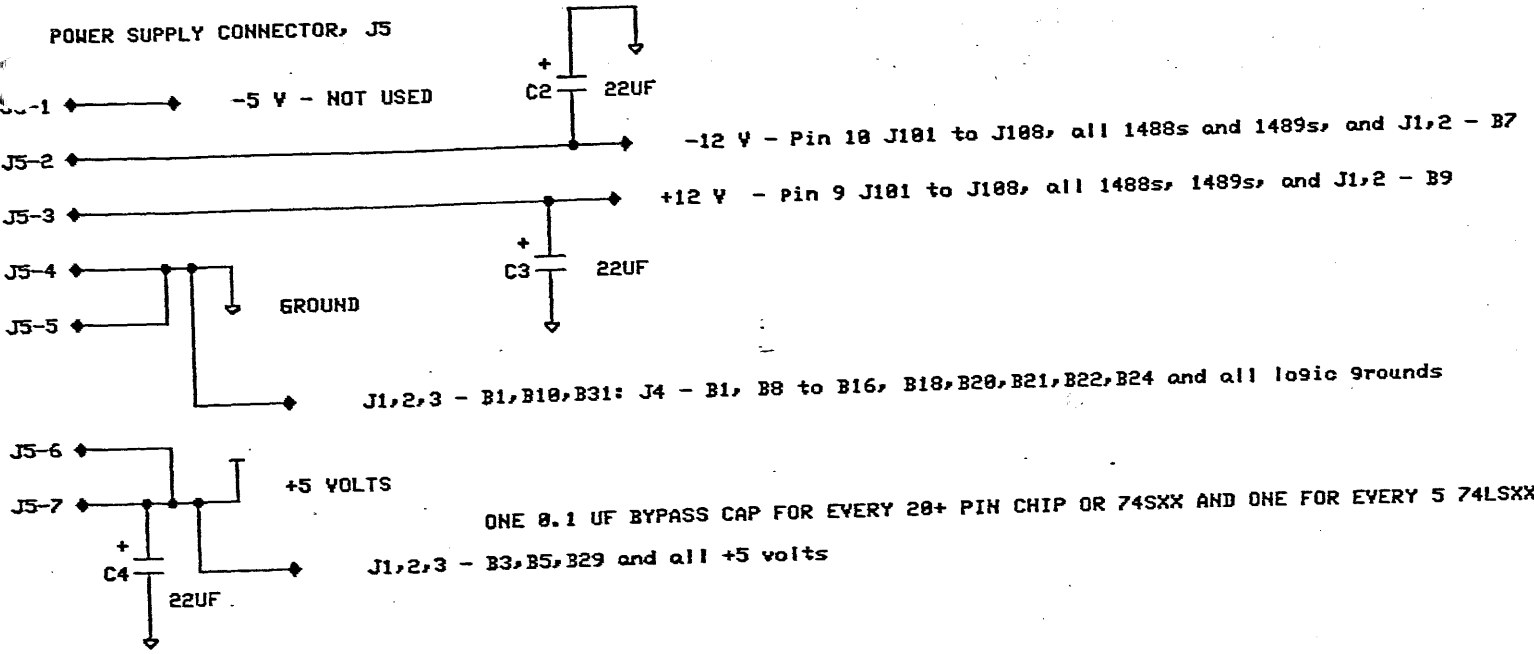
PROPRIETARY INFORMATION

SEP 09 1986

CONFIDENTIAL
This document is the Property of Ungermann-Bass, Inc. and contains information which is confidential and Proprietary to Ungermann-Bass, Inc. No Part of this document may be copied, reproduced or disclosed to third Parties without the Prior written consent of Ungermann-Bass, Inc.

SIGNATURE AND DATE		Ungermann-Bass, Inc.		
DRWH	C. SALANDER	TITLE		
DRFTG		NIU 180 MAIN BOARD		
CHK		SIZE	DRAWING NO	REV
APYD	R. HARDWICK	3	13836-00	A

55 11187 USER/HARDWICK/NIU-180 I. DRAM



NOV 4 1985

000051

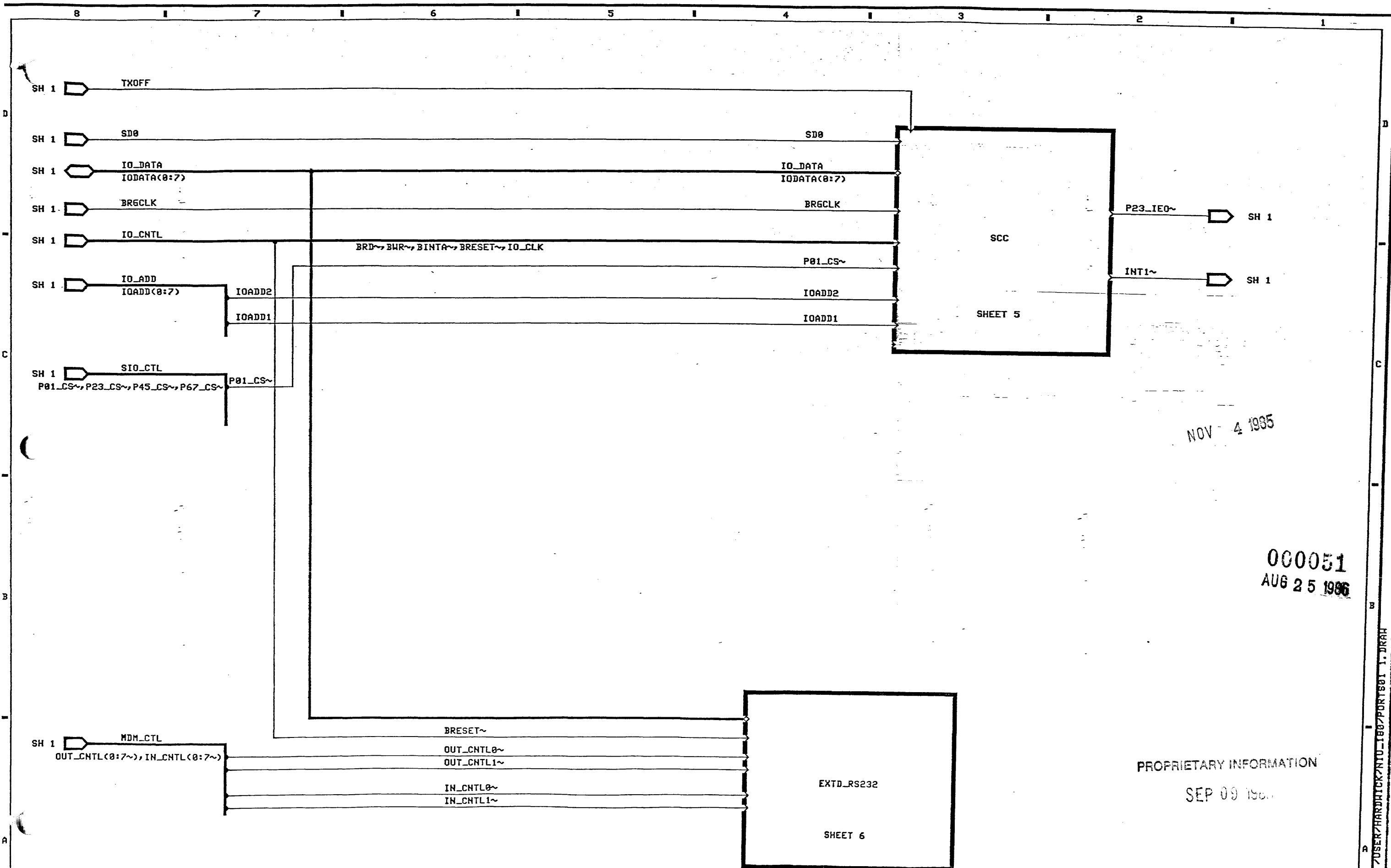
AUG 25 1986

PROPRIETARY INFORMATION

SEP 09 1981

Ungerann-Bass, Inc.		
SIZE	DRAWING NO	REV
B	13036-03	A

13036-03 USER HARDWARE INT. LEDS 1. DRAM



NOV 4 1985

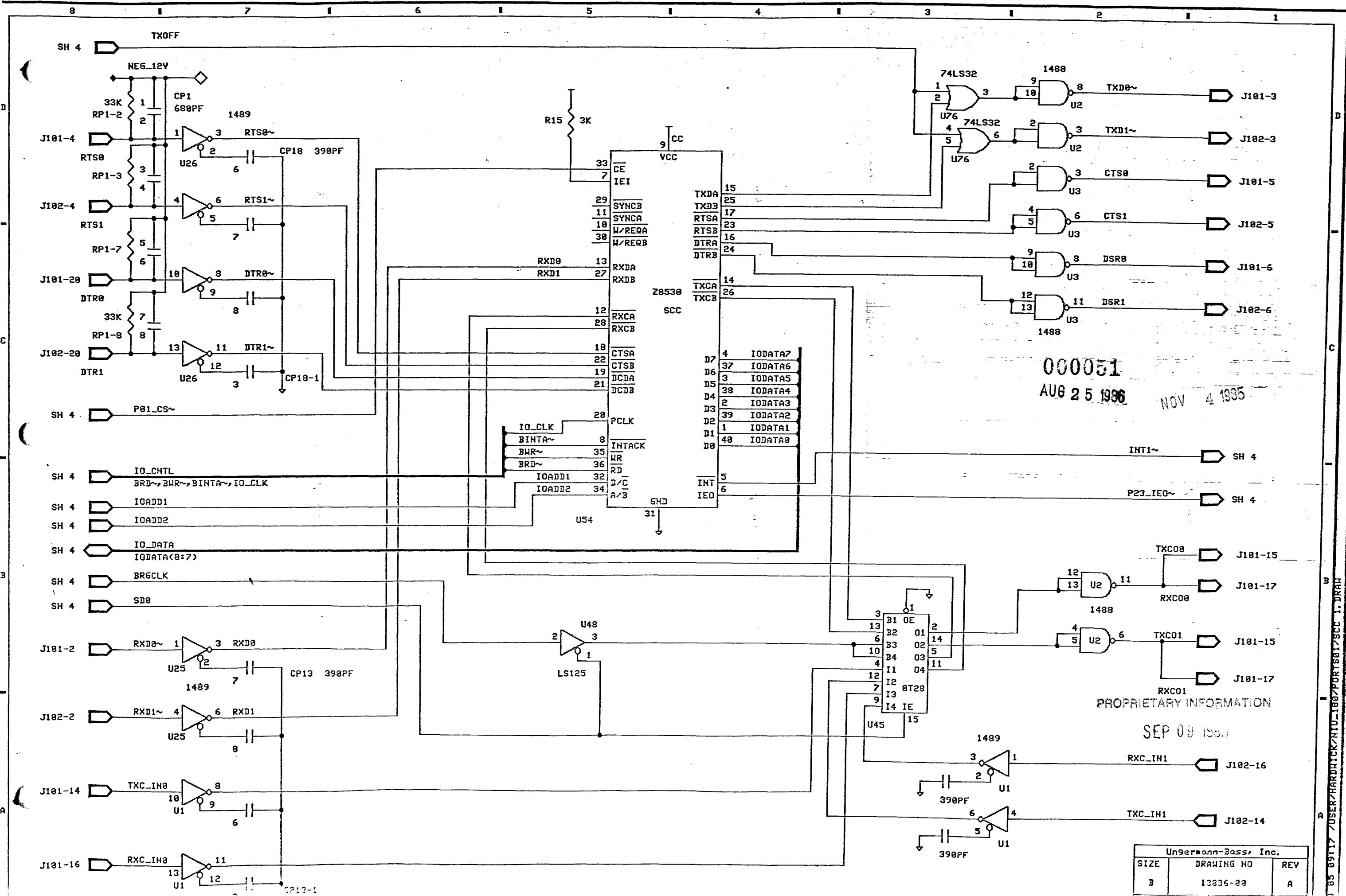
000051
AUG 25 1986

PROPRIETARY INFORMATION

SEP 09 1986

Ungermann-Bass, Inc.		
SIZE	DRAWING NO	REV
B	13336-23	A

D:\05 09116 70SER/HARDWICK\N10-1807\PORTS01 1. DRAM



000051
AUG 25 1996

NOV 4 1995

PROPRIETARY INFORMATION

SEP 09 1990

Ungerwirth-Bass, Inc.		
SIZE	DRAWING NO	REV
B	13236-23	A
PAGE: 5 OF 15		

C:\B5 89117 USER\HARDYCK\NU-180\PORT817SCC 1.DRAW

8 | 7 | 6 | 5 | 4 | 3 | 2 | 1

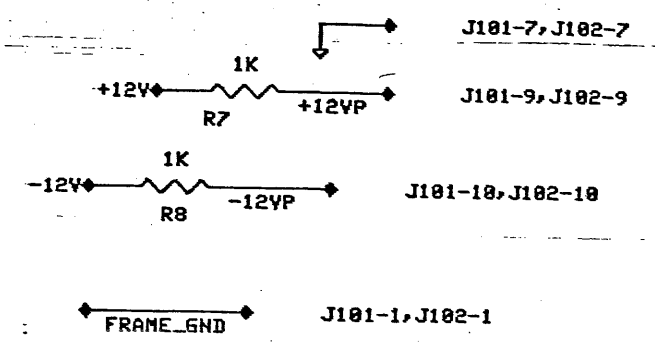
SH 4 IO_DATA
IODATA(0:7)

SH 4 OUT_CNTL0~

SH 4 OUT_CNTL1~

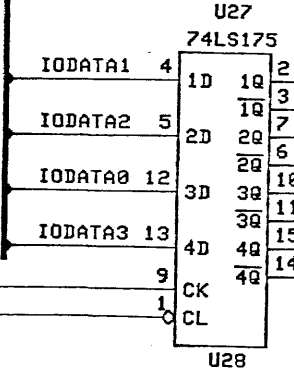
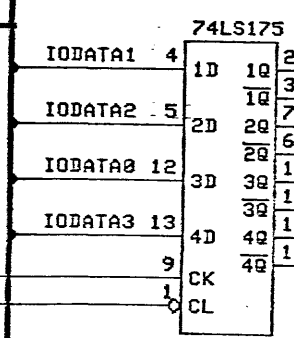
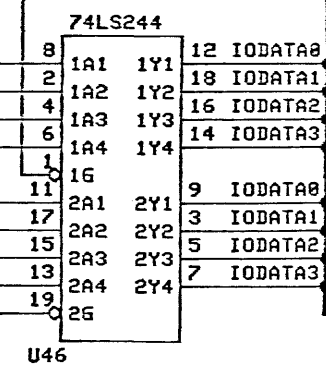
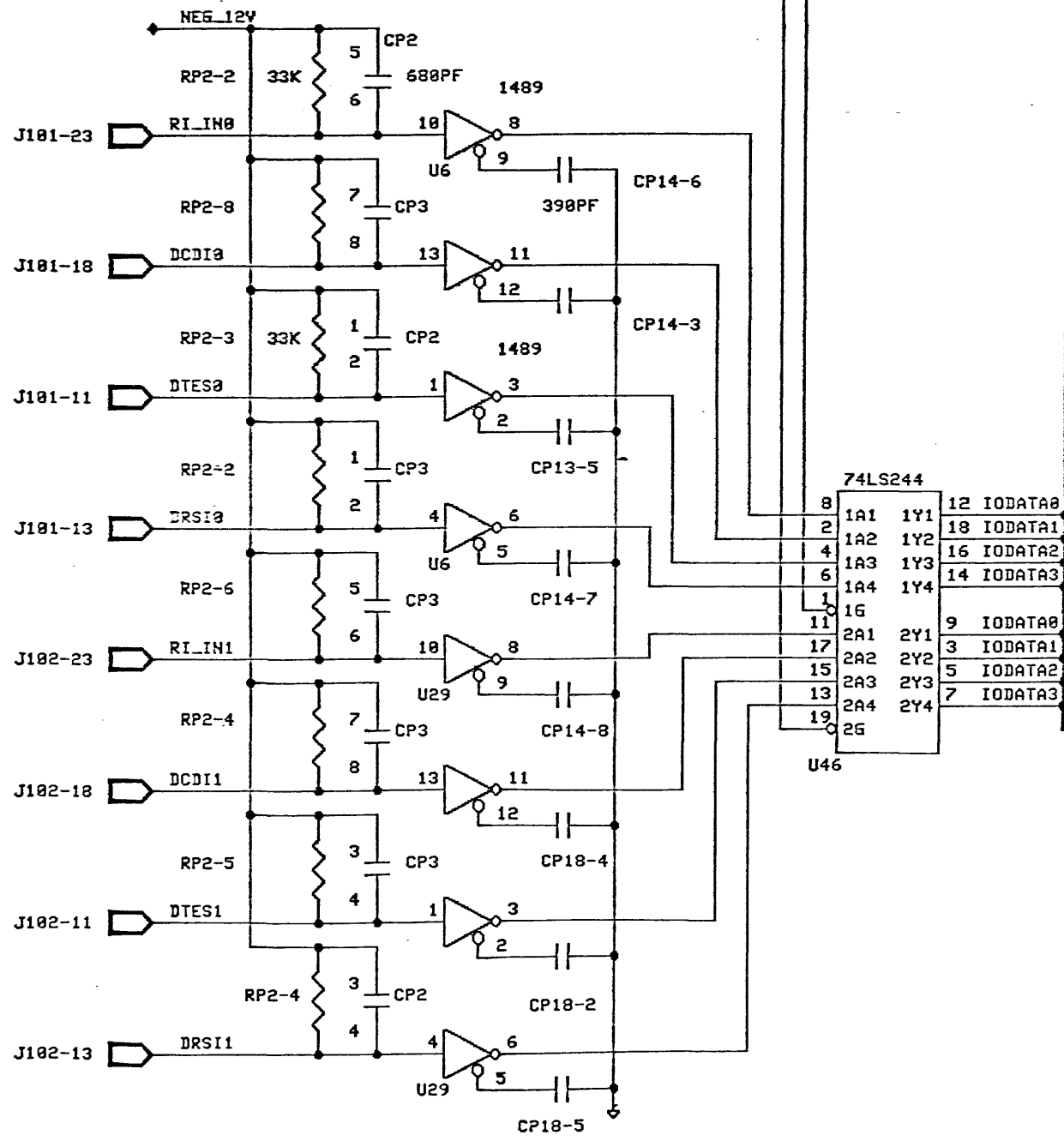
SH 4 IN_CNTL0~

SH 4 IN_CNTL1~



000051
AUG 25 1986

NOV 4 1985

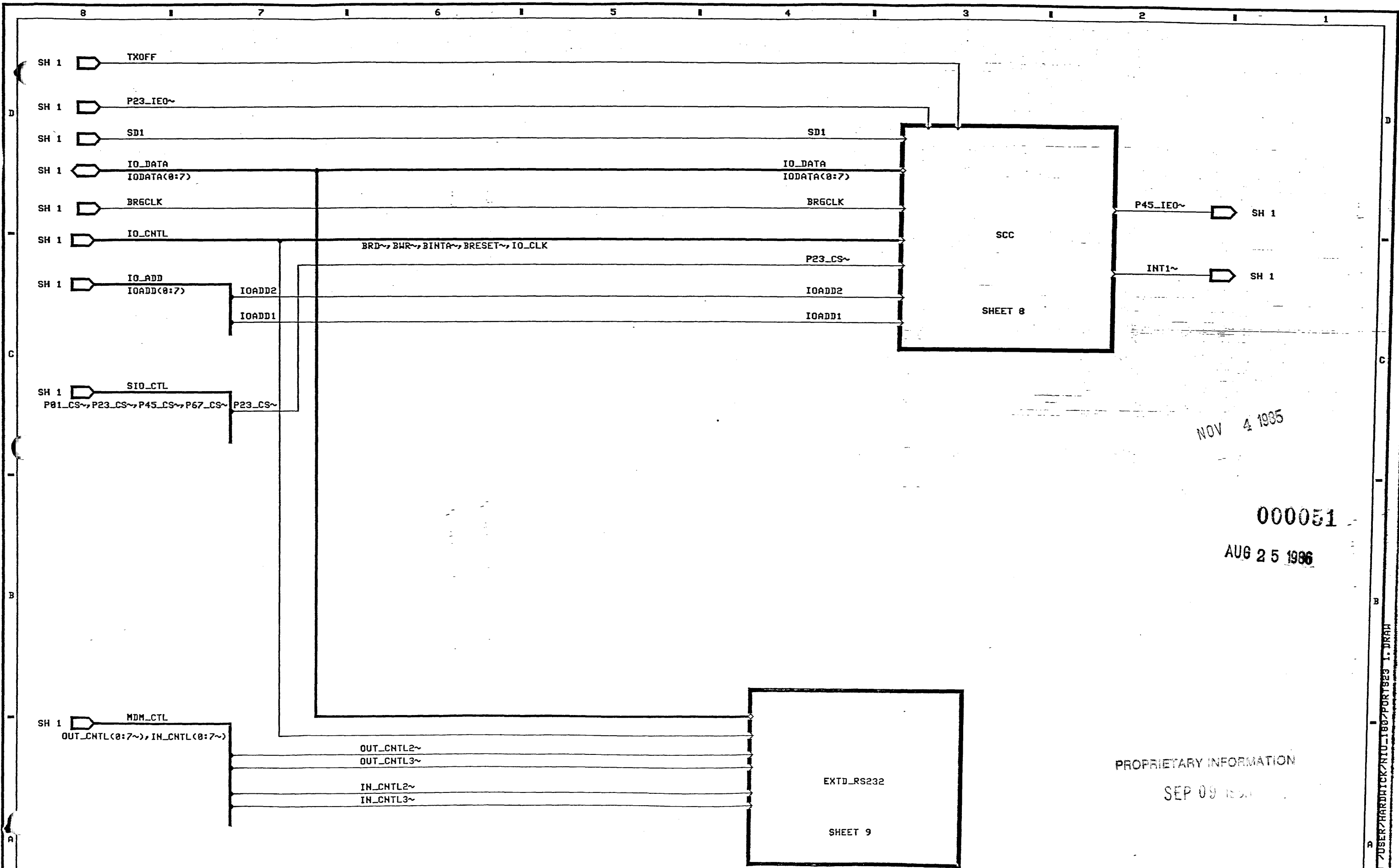


PROPRIETARY INFORMATION

SEP 09 1985

Ungermaann-Bass, Inc.		
SIZE	DRAWING NO	REV
B	13836-03	A

05 09119 ZUSER/HARDWCK/NU-1807PORT801EXTD-RS232 I.DRAW



NOV 4 1985

000051

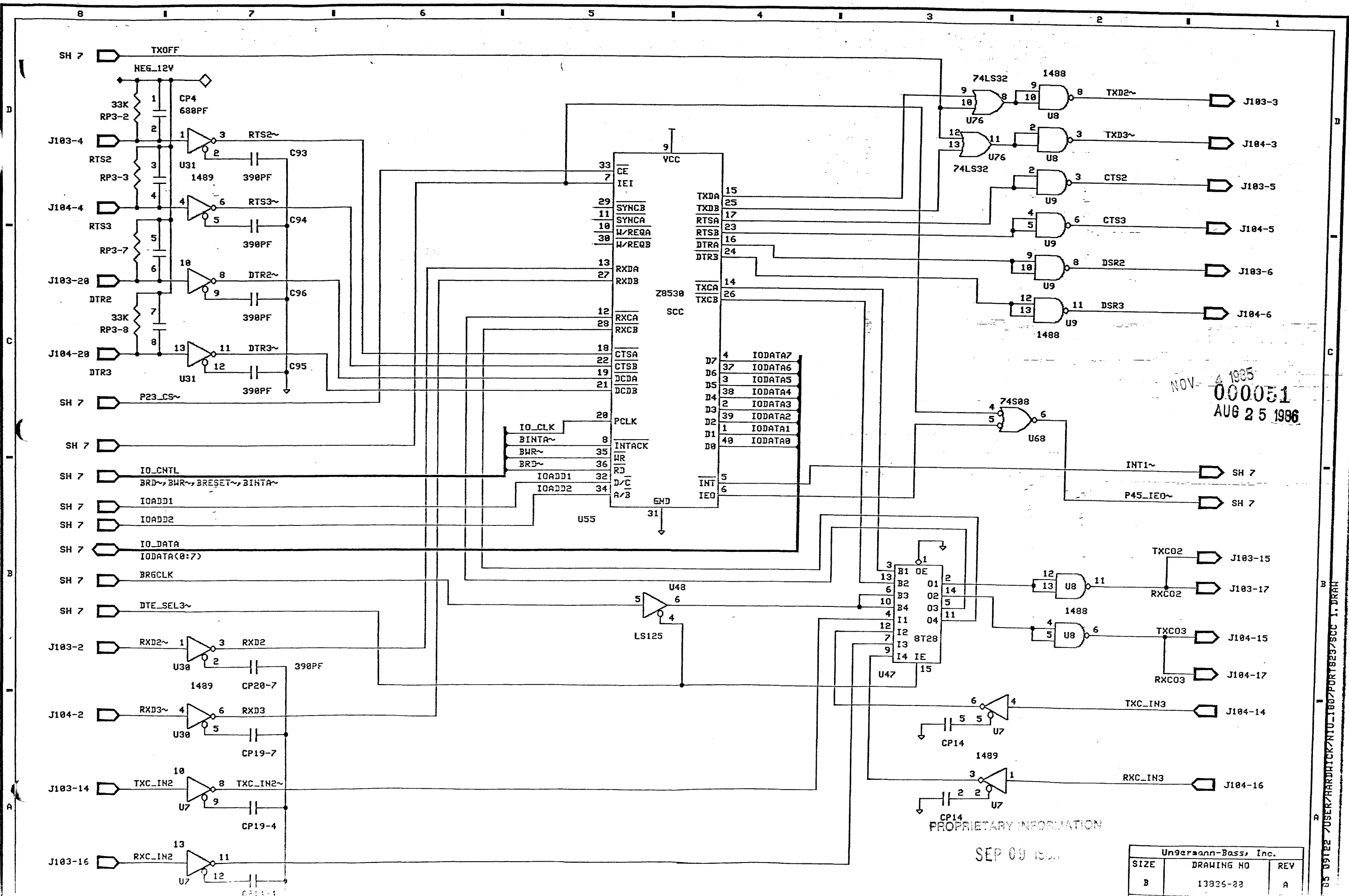
AUG 25 1986

PROPRIETARY INFORMATION

SEP 09 1986

Un9ermann-Bass, Inc.		
SIZE	DRAWING NO	REV
B	13836-03	A
SCALE:	SHEET 7 OF 15	

UN9ERMANN-BASS/110-180/PORTS23 I. DRAW



NOV 4 1985
000051
AUG 25 1986

PROPRIETARY INFORMATION

SEP 09 1986

Ungermann-Bass, Inc.		
SIZE	DRAWING NO	REV
B	13836-23	A

DS 09122 7USER/HARDWICK/NTU-1807PORTBES/SCC 1. DRAM

SH 7 IO_DATA
IODATA(0:7)

SH 7 OUT_CNTL2~

SH 7 OUT_CNTL3~

SH 7 IN_CNTL2~

SH 7 IN_CNTL3~

NEG_12V

J103-23 RI_IN2

J103-18 DCDI2

J103-11 DTES2

J103-13 DRSI2

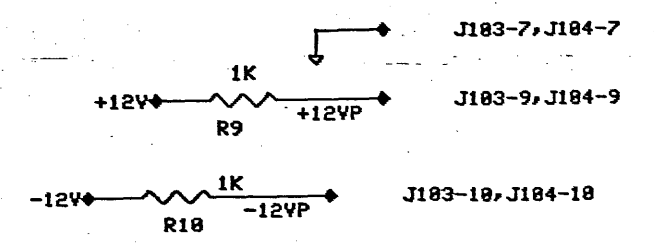
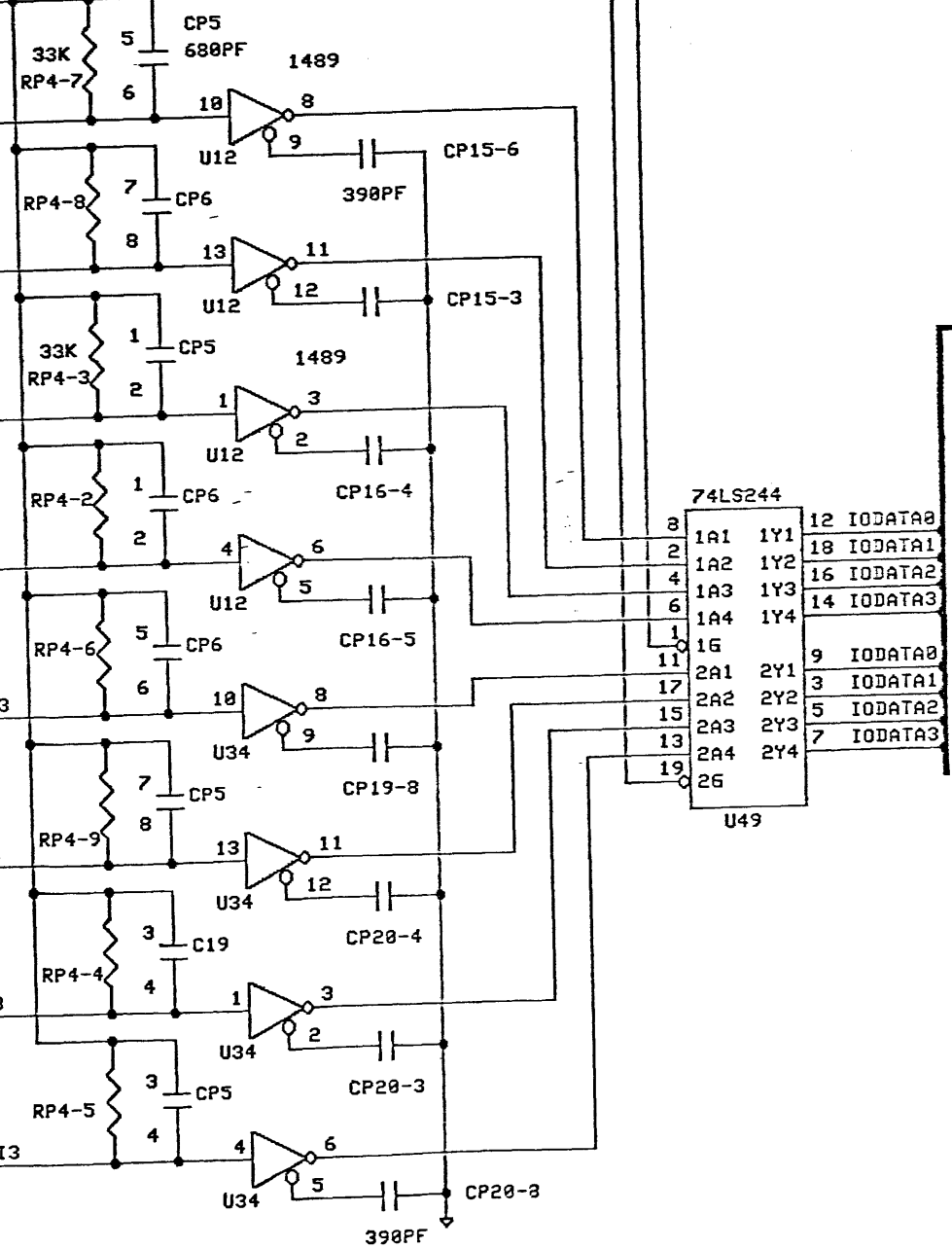
J104-23 RI_IN3

J104-18 DCDI3

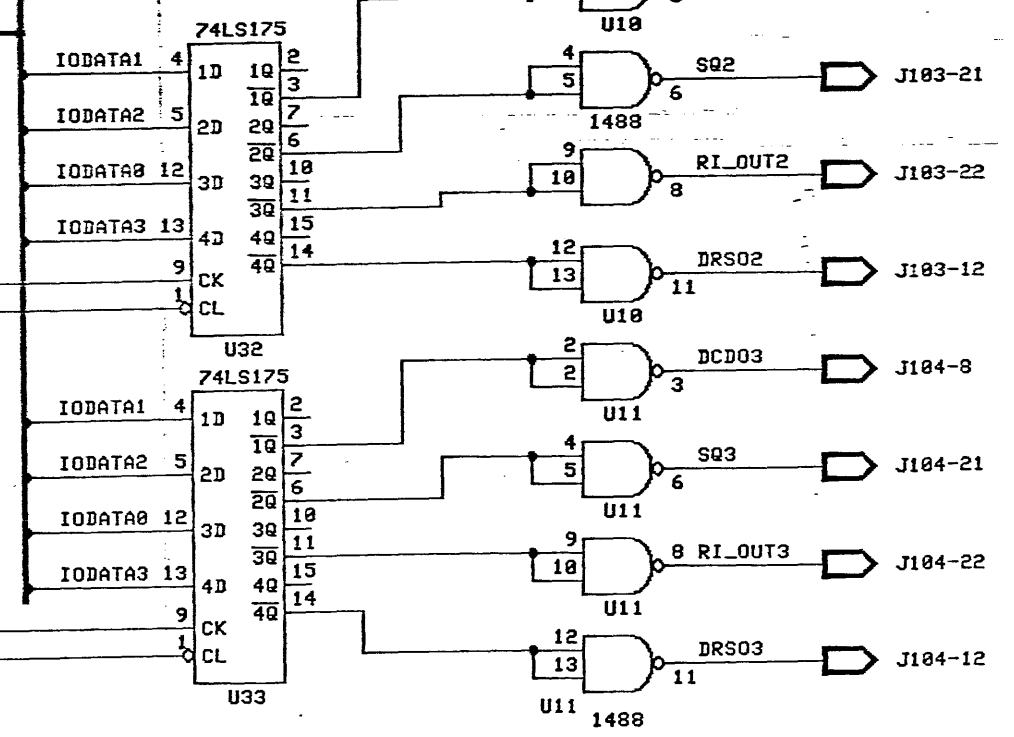
J104-11 DTES3

J104-13 DRSI3

SH 7 BRESET~



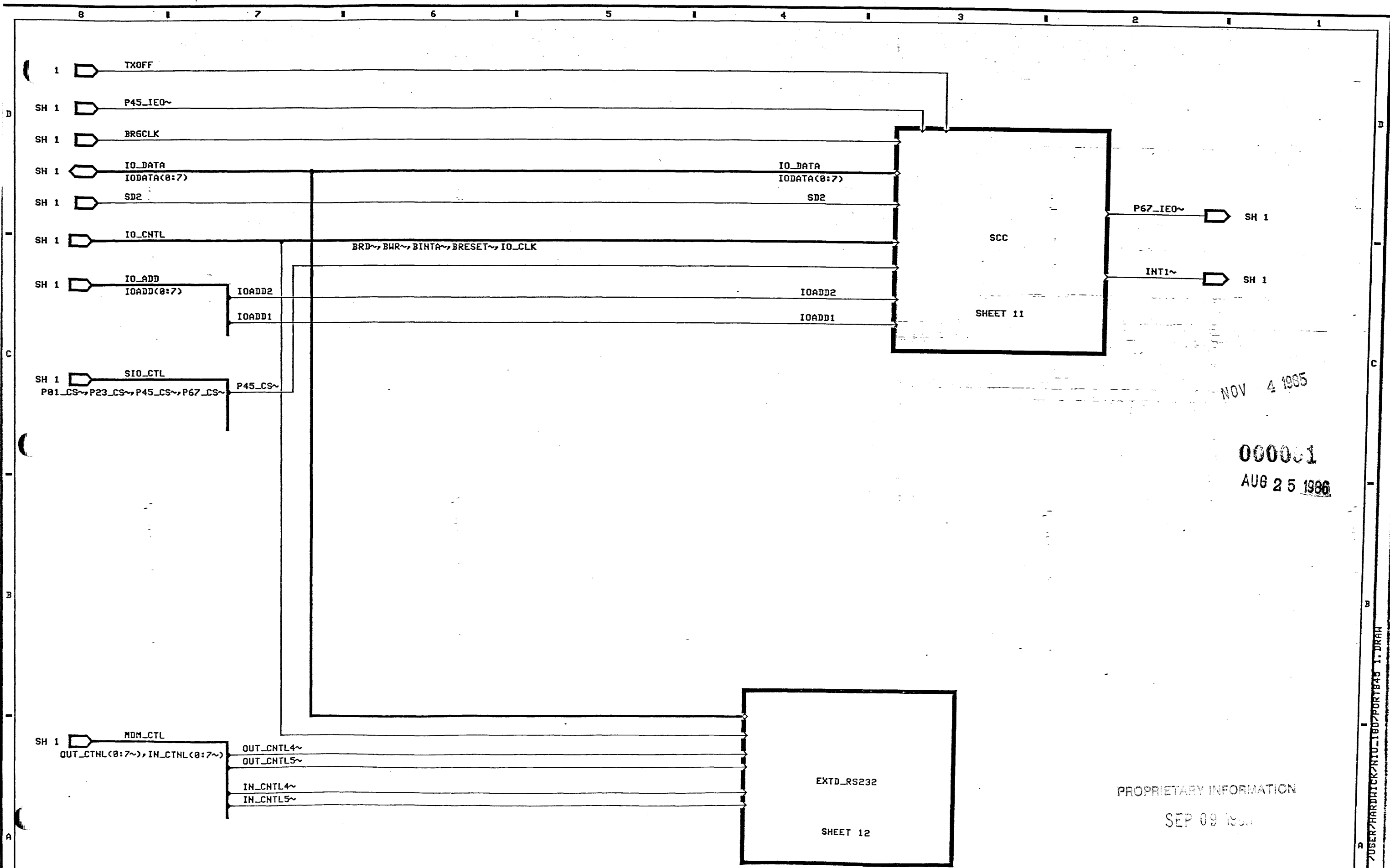
NOV 4 1985
000051
AUG 25 1986



PROPRIETARY INFORMATION
SEP 09 1986

Ungermann-Bass, Inc.		
SIZE	DRAWING NO	REV
B	13036-20	A
SCALE:	3-EET 9 OF 15	

PCB 05 09123 7USER/HARDWICK/NTU_1807PORT/6237EXTD_R6232 1. DRAW



NOV 4 1985

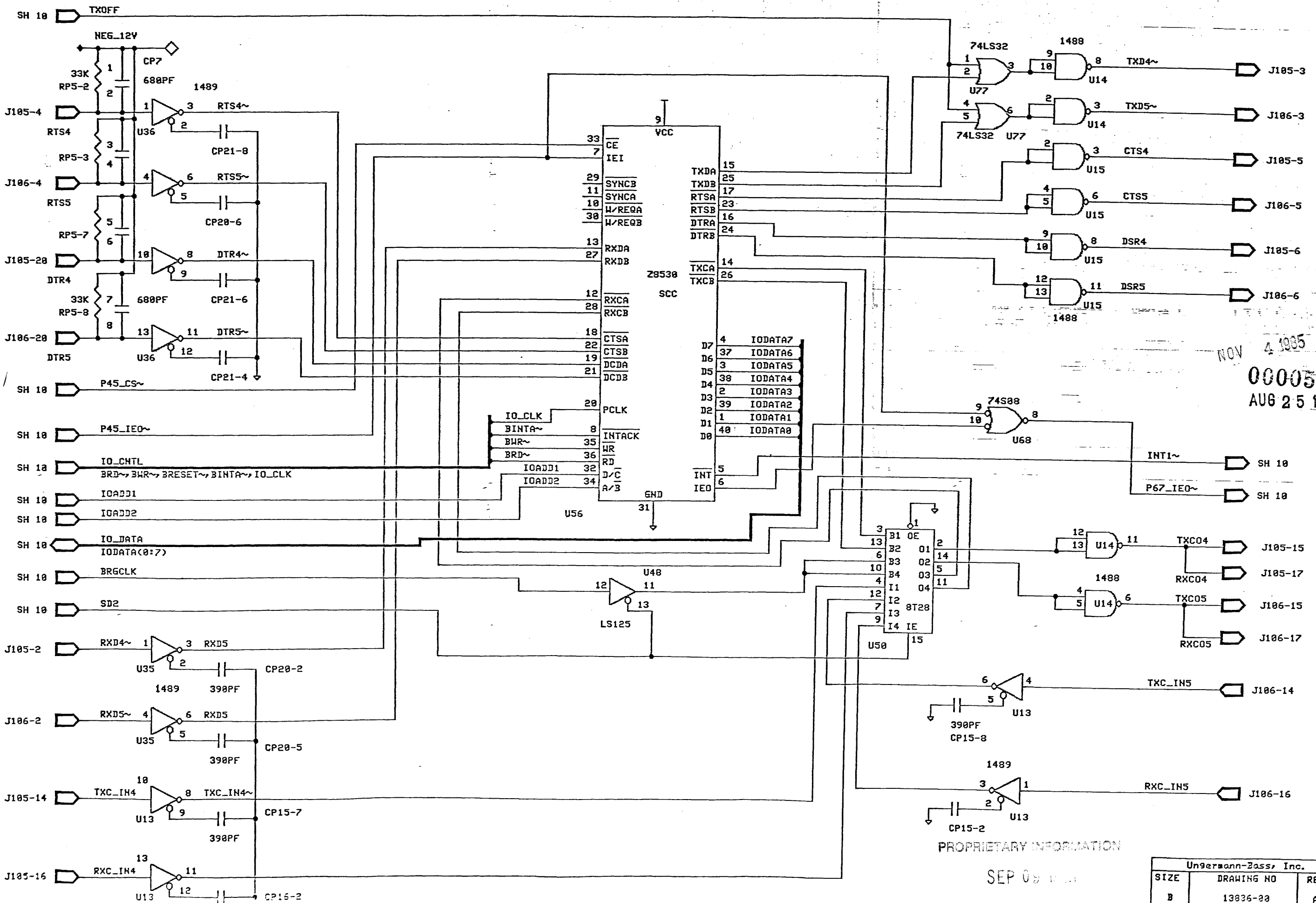
000001
AUG 25 1986

PROPRIETARY INFORMATION

SEP 09 1986

Unger mann-Bass, Inc.		
SIZE	DRAWING NO	REV
B	13835-23	A

C:\US 09125 70SER\PARADISE\CK7\10-1807\PORTB45 1.DRAW



NOV 4 1985
 000051
 AUG 25 1986

PROPRIETARY INFORMATION

SEP 09 1986

Ungermann-Bass, Inc.		
SIZE	DRAWING NO	REV
B	13836-00	A
SCALE: 1/8"=1" 11/15		

LD 85 89126 70SER/HARDICK/N10-1807/POR1845/SCC 1. DRAM

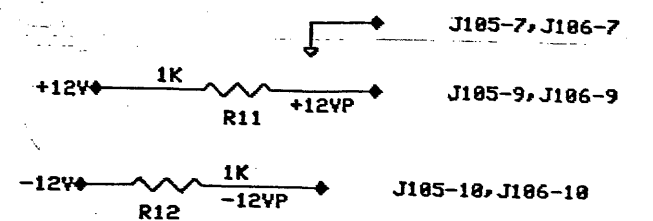
SH 10 IO_DATA
IOWDATA(0:7)

SH 10 OUT_CNTL4~

SH 10 OUT_CNTL5~

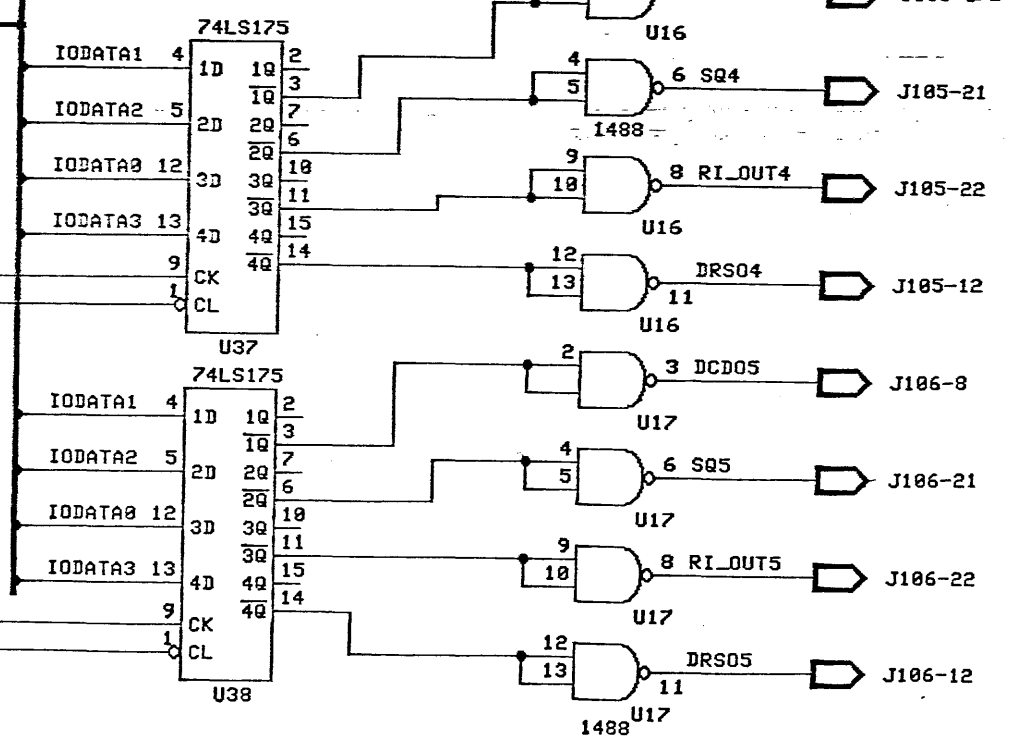
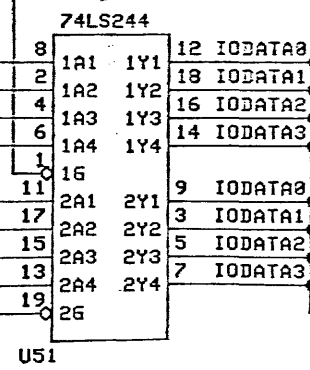
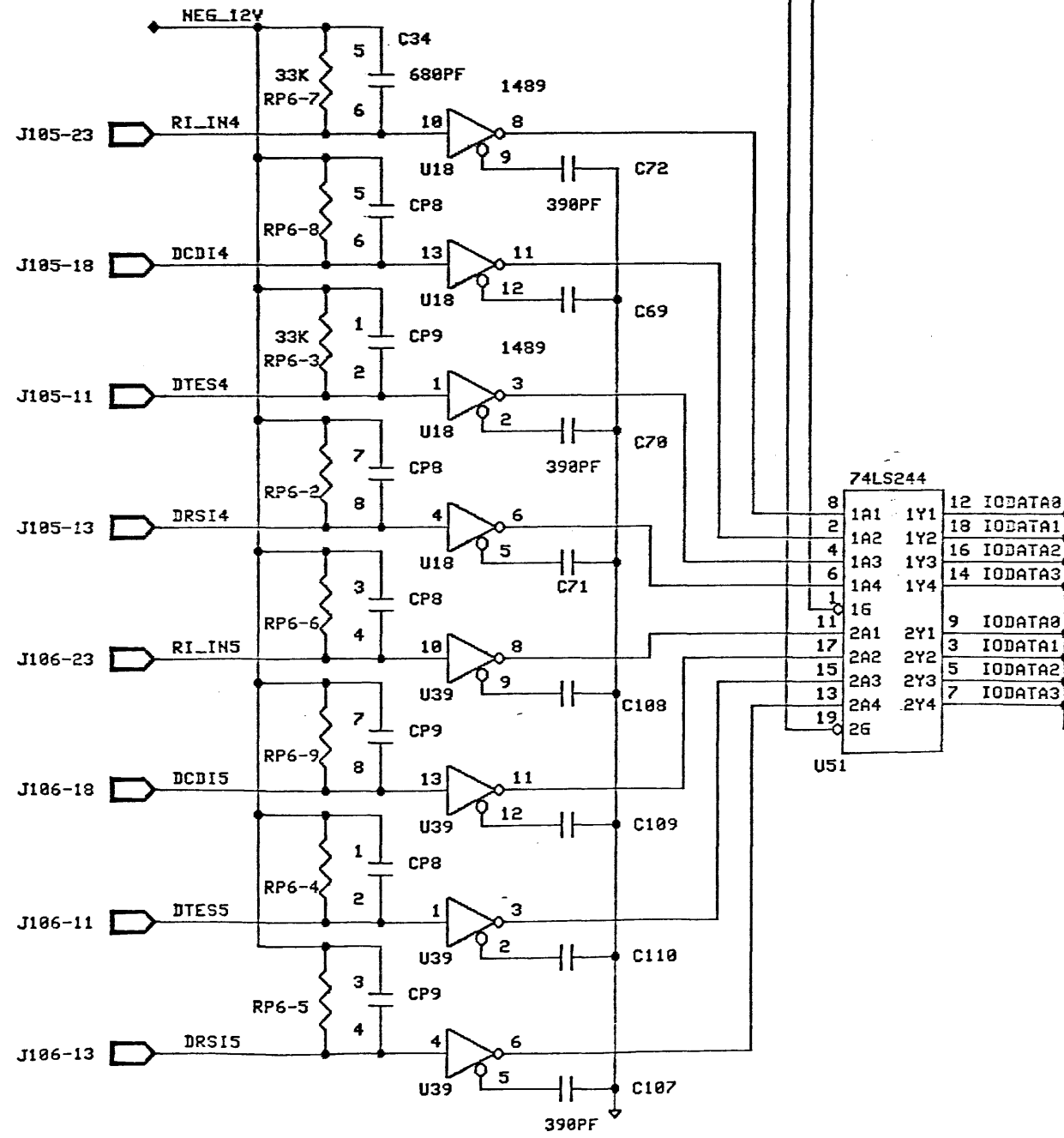
SH 10 IN_CNTL4~

SH 10 IN_CNTL5~



NOV 4 1995

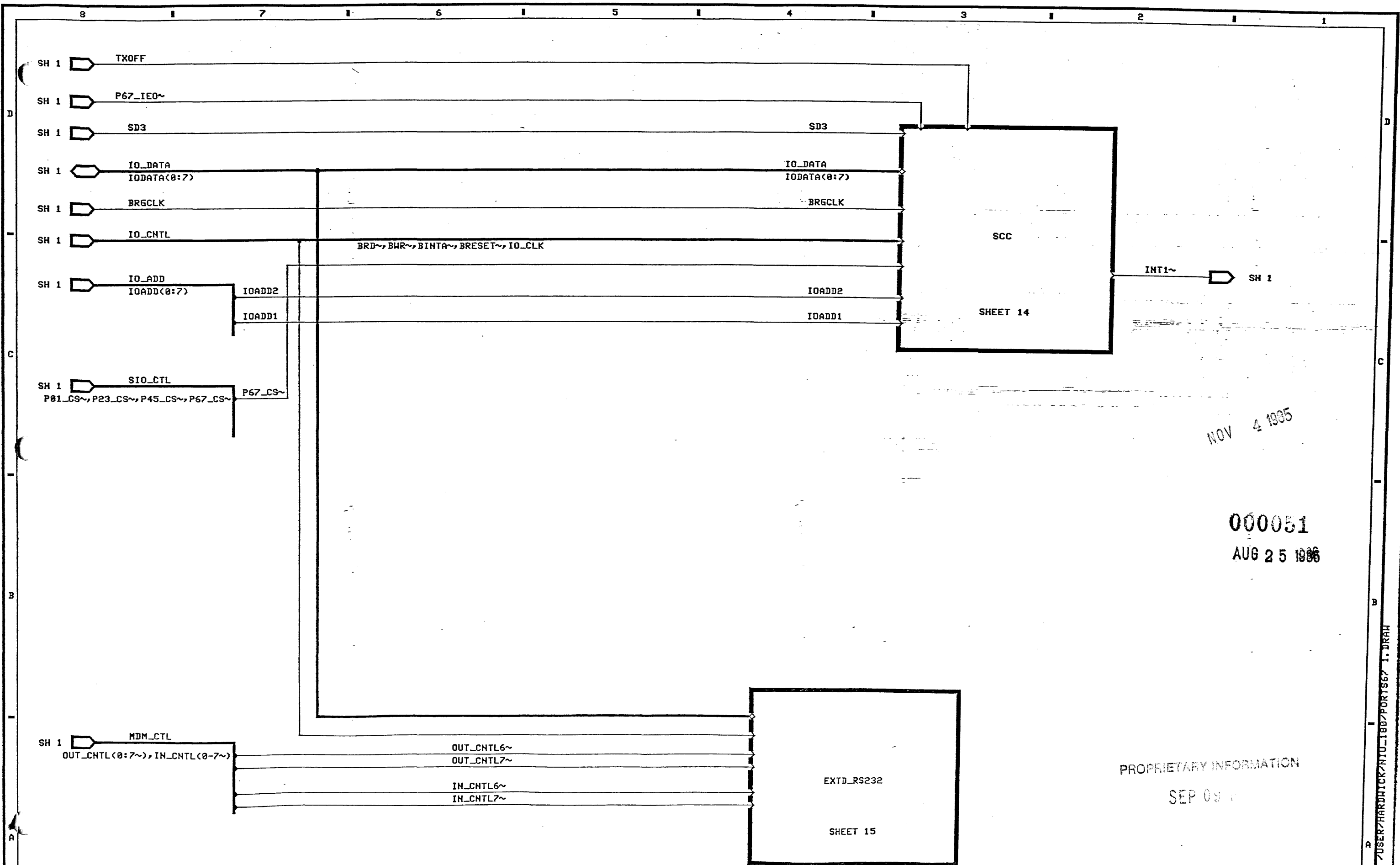
AUG 25 1996
000051



PROPRIETARY INFORMATION
SEP 09 1996

Ungermann-Bass, Inc.		
SIZE	DRAWING NO	REV
B	13836-00	A

D:\05 09128 7USER\HARDWICK\N10_1807\PORTS45\EXTD_RS232 1.DRAW



NOV 4 1995

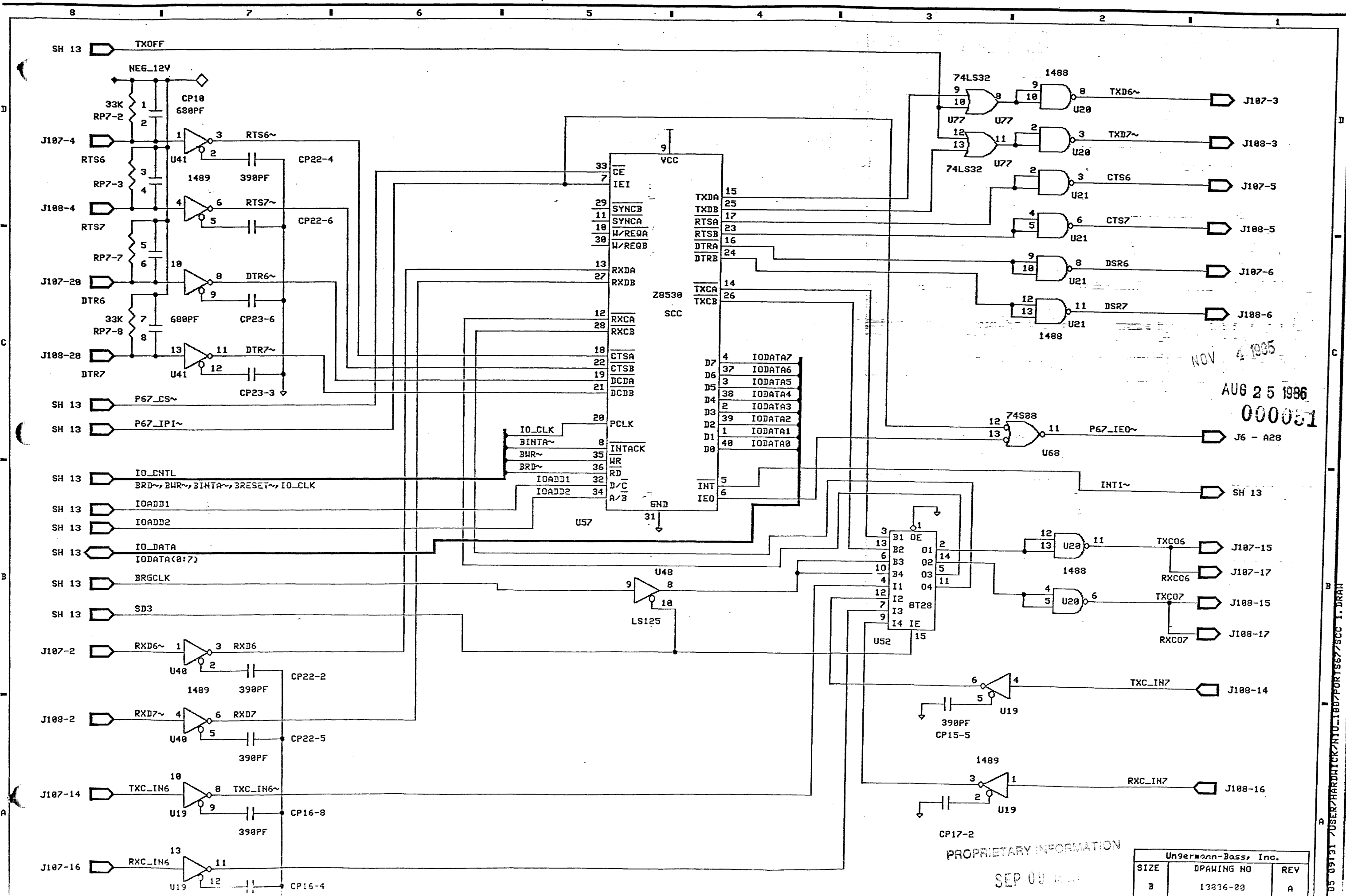
000051
AUG 25 1986

PROPRIETARY INFORMATION

SEP 09 1986

Ungermaann-Bass, Inc.		
SIZE	DRAWING NO	REV
B	13856-20	A

P5 85 09129 ZUSER/HARDWICK/NTU-1807PORTS67 1, DRAH



NOV 4 1985
 AUG 25 1986
 000051

PROPRIETARY INFORMATION

SEP 09 1986

Ungerwonn-Bass, Inc.		
SIZE	DRAWING NO	REV
B	13036-00	A

05 09131 7USER/HARDWICK/NU-1807/PORTS67/SCC 1.DRAW

SH 13 IO_DATA
IODATA(0:7)

SH 13 OUT_CNTL6~

SH 13 OUT_CNTL7~

SH 13 IN_CNTL6~

SH 13 IN_CNTL7~

NEG_12V

J107-23 RI_ING

J107-18 DCDI6

J107-11 DTES6

J107-13 DRSI6

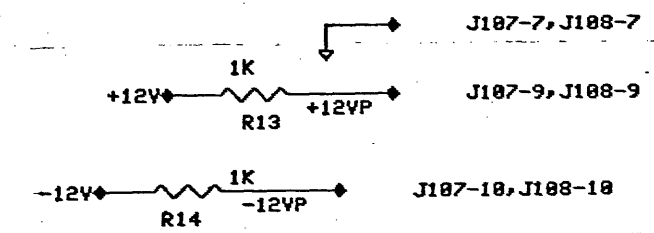
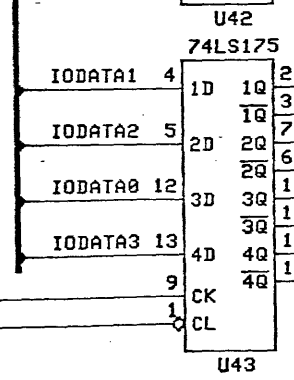
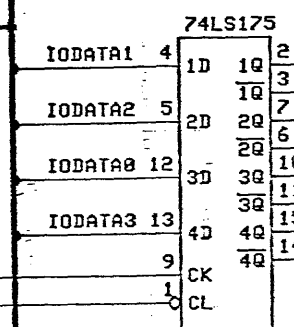
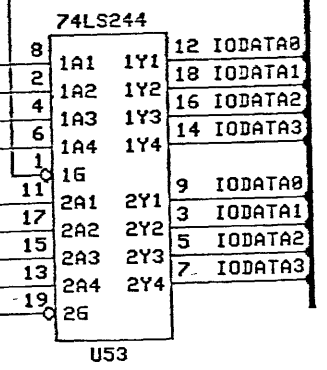
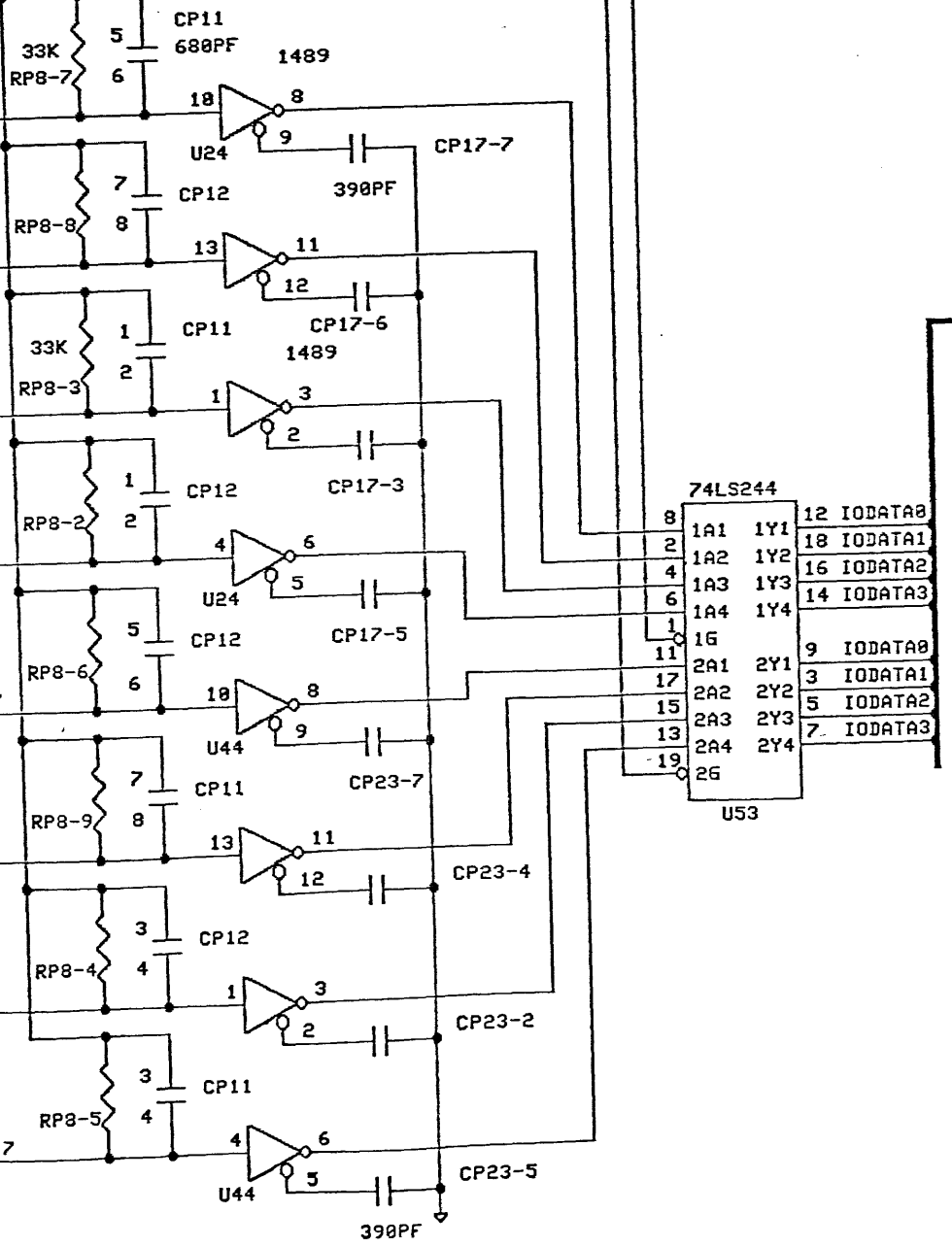
J108-23 RI_IN7

J108-18 DCDI7

J108-11 DTES7

J108-13 DRSI7

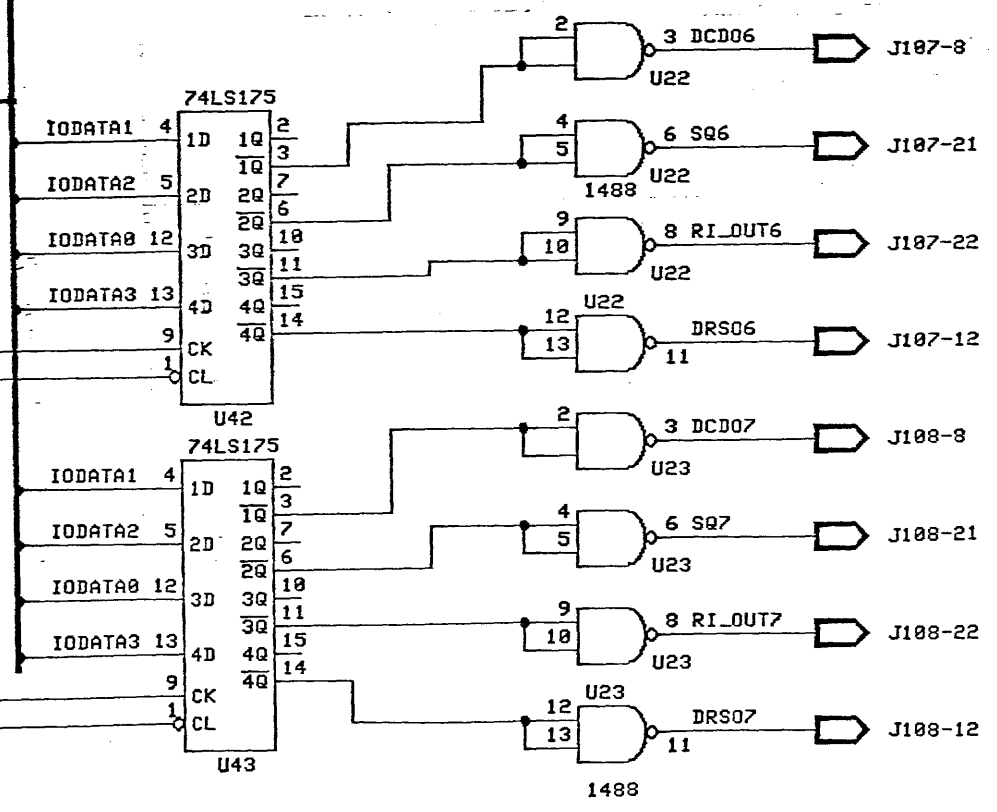
SH 13 BRESET~



NOV 4 1985

000081

AUG 25 1986



PROPRIETARY INFORMATION

SEP 09 1986

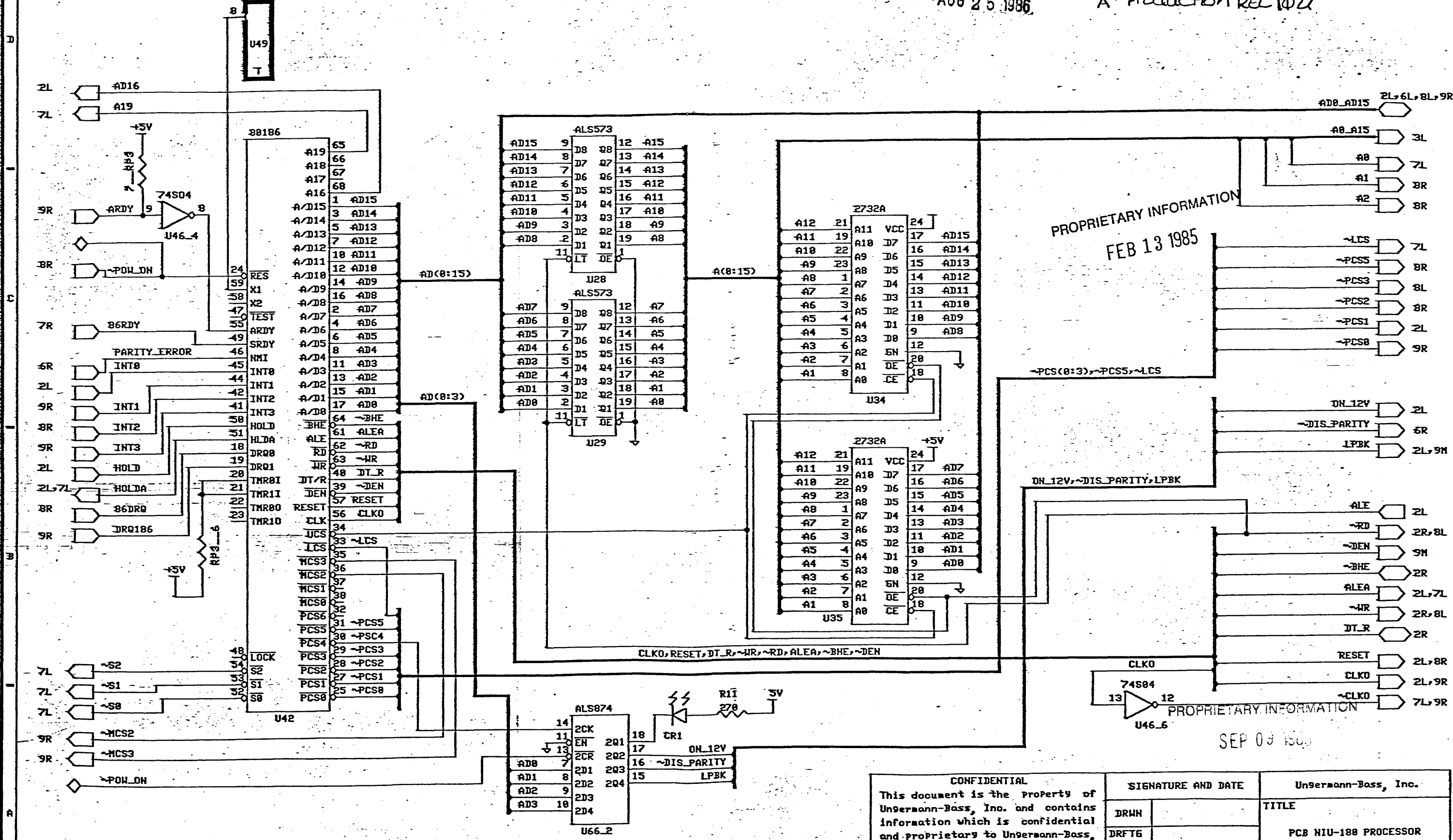
Ungermann-Boss, Inc.		
SIZE	DRAWING NO	REV
B	13836-00	A

05 09133 70SER/HARDWICK/NIU-1007PORT667EXTD-RB922 1. DRKH

000052
AUG 25 1986

REVISIONS			
LTR	DESCRIPTION	DATE	APPROVED
1	SUPERSEDES 12226 PER HCO #1155	10-17-84	<i>[Signature]</i>
A. PRODUCTION REL 1027			

CRYSTAL DSC 16MHZ (12MHZ -83, -84)



PROPRIETARY INFORMATION
FEB 13 1985

~PCS(0:3), ~PCS5, ~LCS

DN_12V, ~DIS_PARITY, LPBK

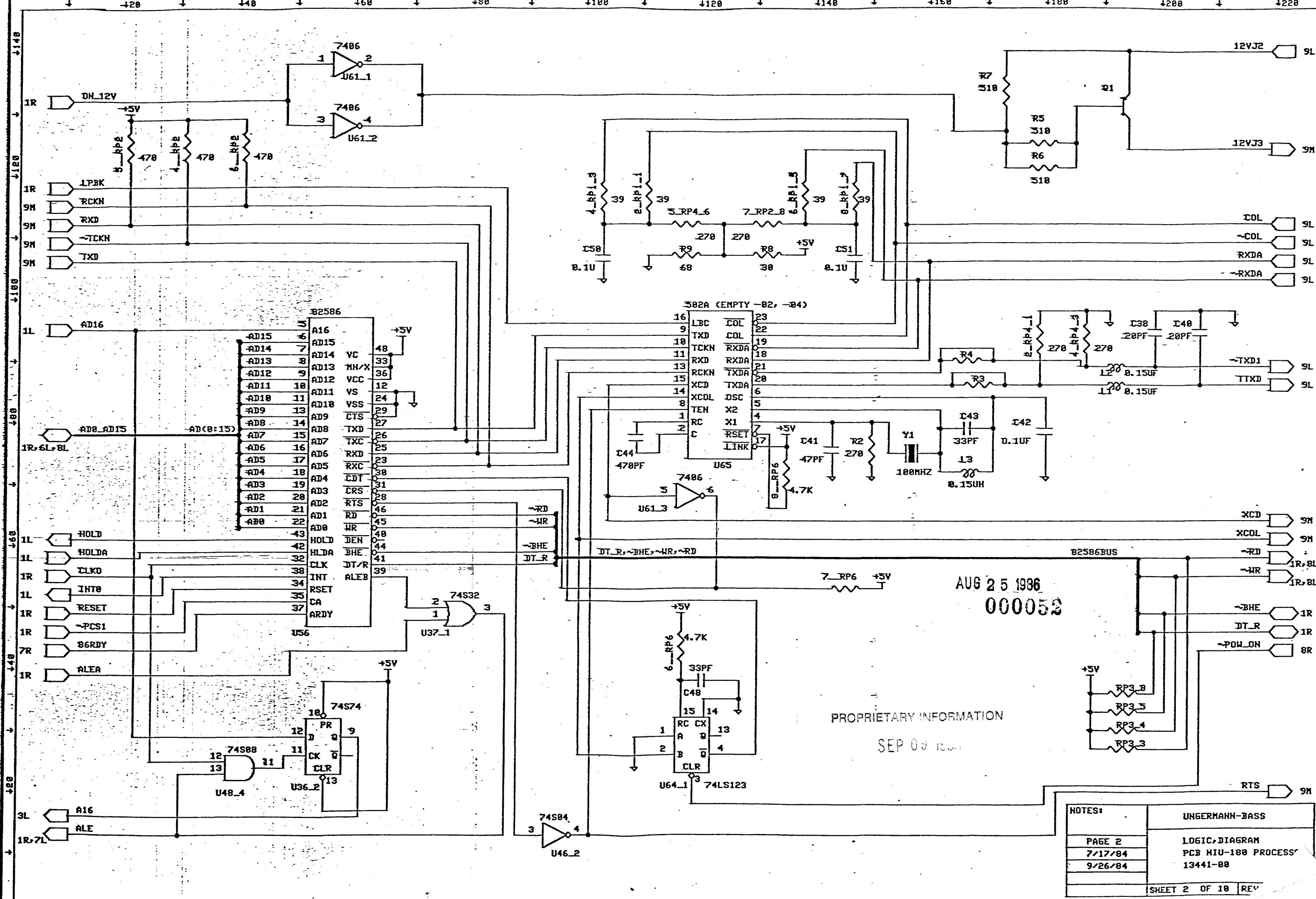
CLKO

PROPRIETARY INFORMATION

SEP 09 1985

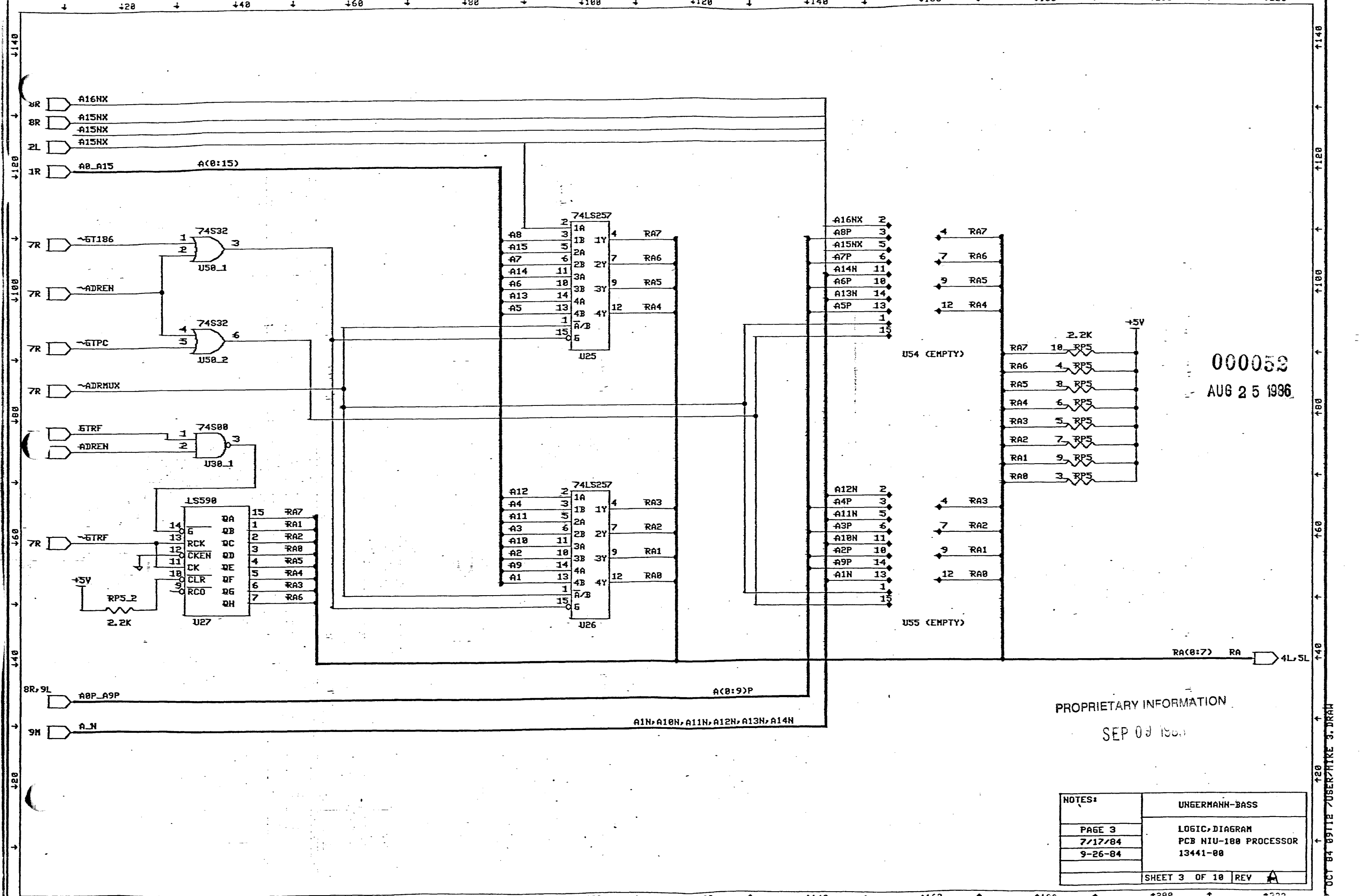
CONFIDENTIAL
This document is the property of Unservann-Bass, Inc. and contains information which is confidential and proprietary to Unservann-Bass, Inc. No part of this document may be copied, reproduced or disclosed to third parties without the prior written consent of Unservann-Bass, Inc.

SIGNATURE AND DATE		Unservann-Bass, Inc.		
DRWN		TITLE		
DRFTE		PCB NIU-188 PROCESSOR		
CHK		SIZE	DRAWING NO	REV
APVD		3	13441-88	A
SCALE:		SHEET 1 OF 10		



PROPRIETARY INFORMATION
SEP 09 1986

NOTES:	UNGERMANN-BASS
PAGE 2	LOGIC DIAGRAM
7/17/84	PCB NIU-180 PROCESS
9/26/84	13441-88
SHEET 2 OF 18 REV	

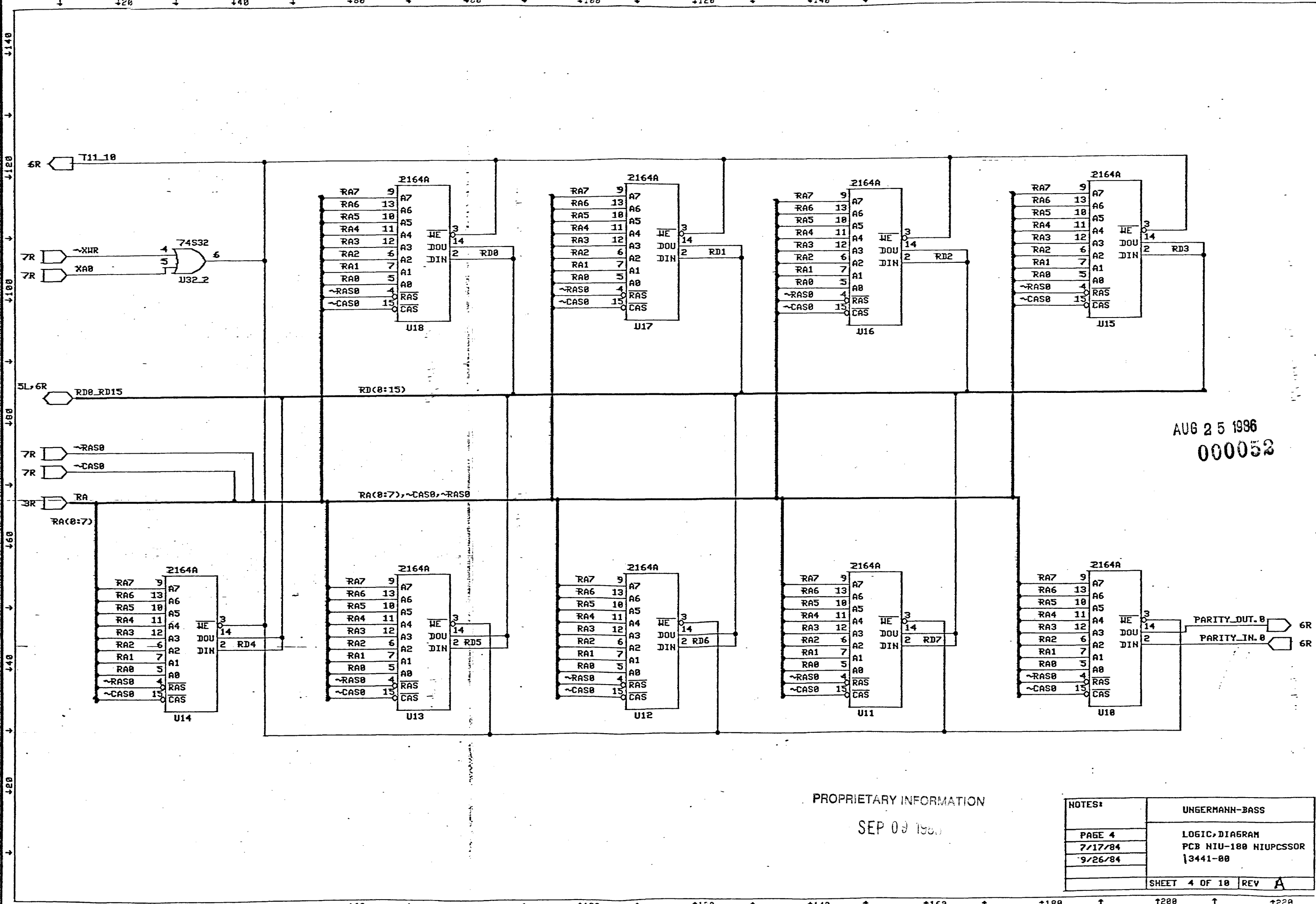


000052
AUG 25 1986

PROPRIETARY INFORMATION
SEP 09 1986

NOTES:	UNGERMANN-BASS
PAGE 3	LOGIC DIAGRAM
7/17/84	PCB NIU-180 PROCESSOR
9-26-84	13441-88
SHEET 3 OF 10 REV A	

OCT 84 09112 USER/TYKE 3. DRAM

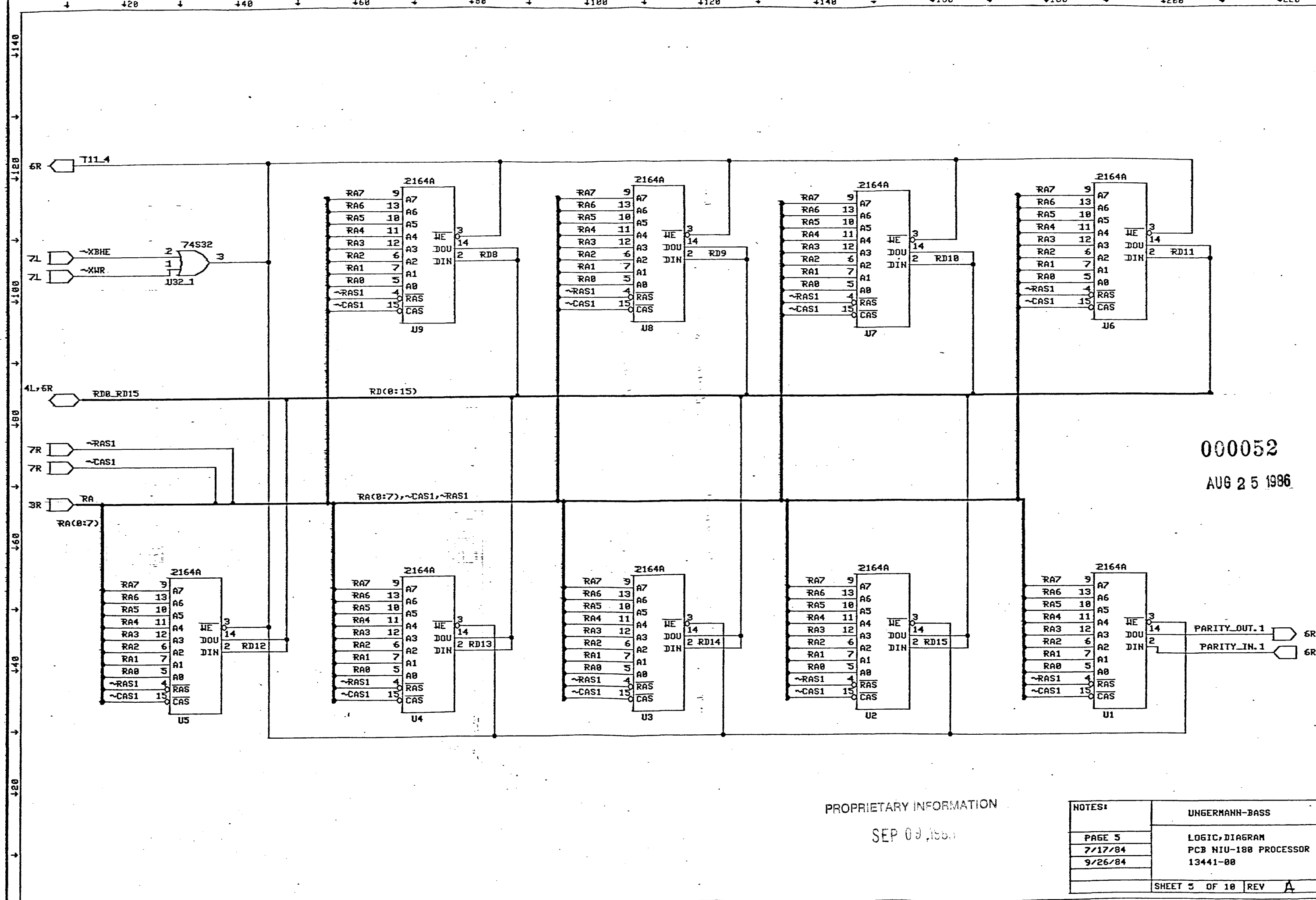


AUG 25 1986
000052

PROPRIETARY INFORMATION

SEP 09 1985

NOTES:	UNGERMANN-BASS
PAGE 4	LOGIC DIAGRAM
7/17/84	PCB NIU-188 NIUPCSSOR
9/26/84	13441-00
SHEET 4 OF 18 REV A	



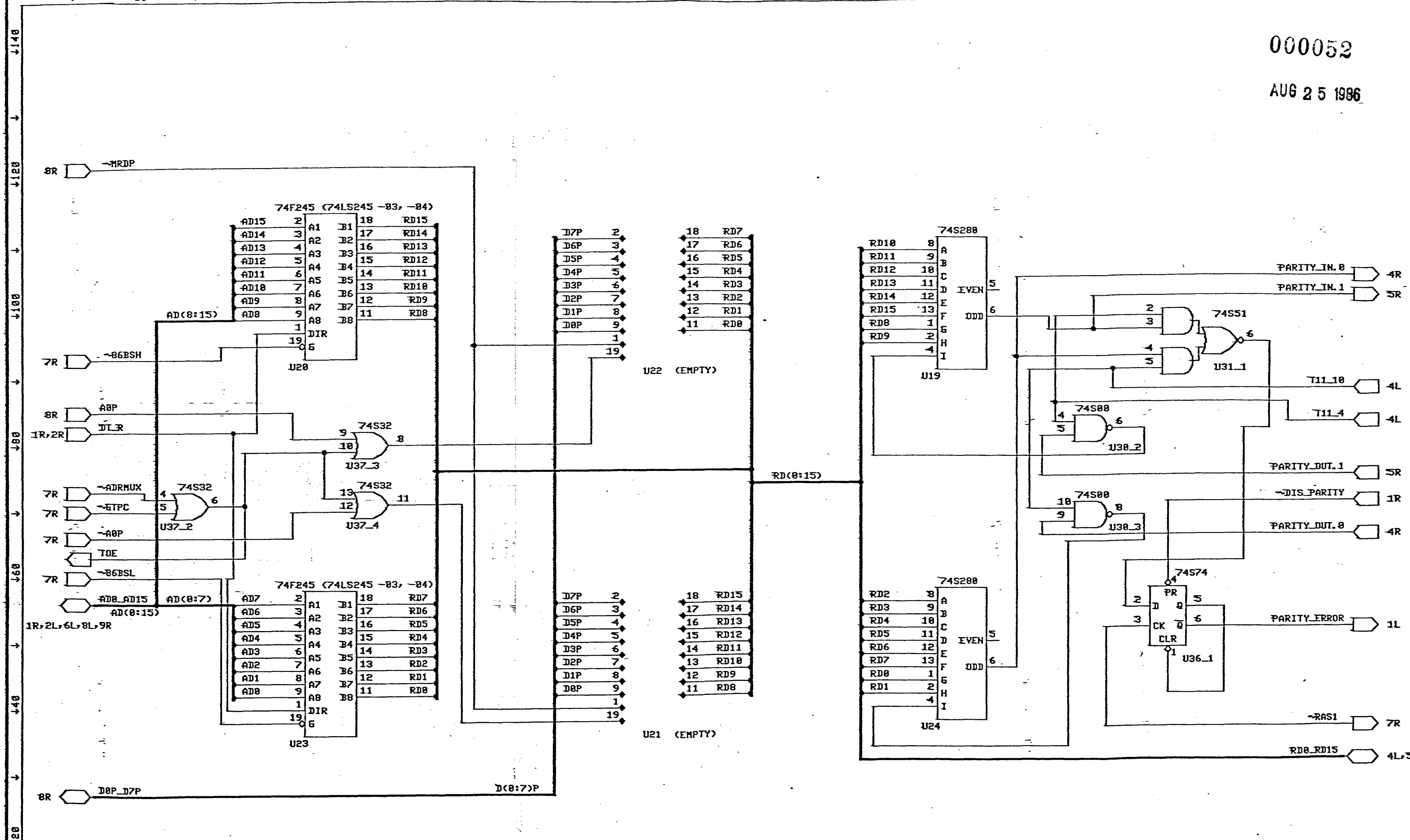
000052
AUG 25 1986

PROPRIETARY INFORMATION
SEP 09 1986

NOTES:	UNGERMANN-BASS
PAGE 5	LOGIC DIAGRAM
7/17/84	PCB NIU-188 PROCESSOR
9/26/84	13441-88
	SHEET 5 OF 10 REV A

000052

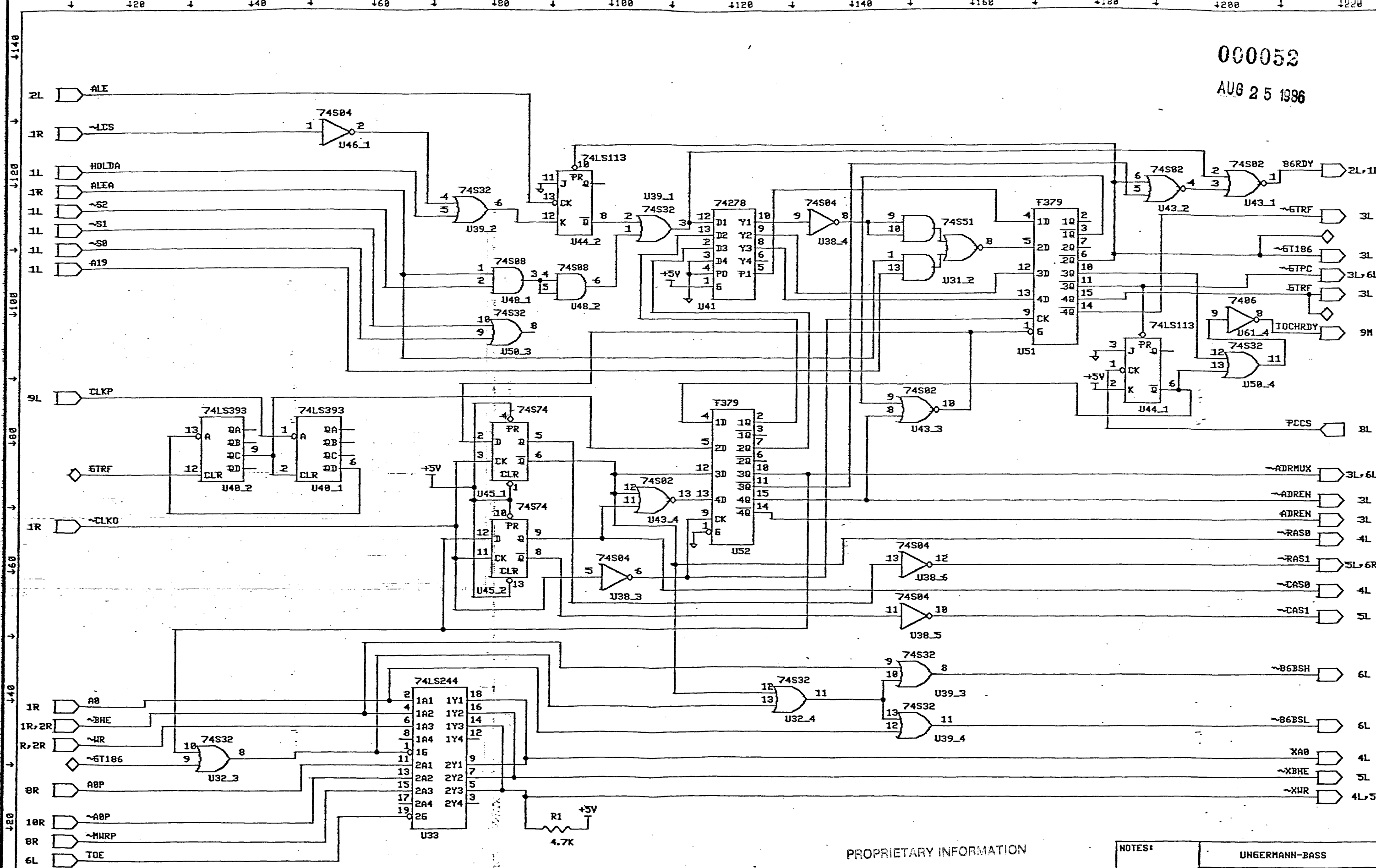
AUG 25 1986



PROPRIETARY INFORMATION
SEP 09 1986

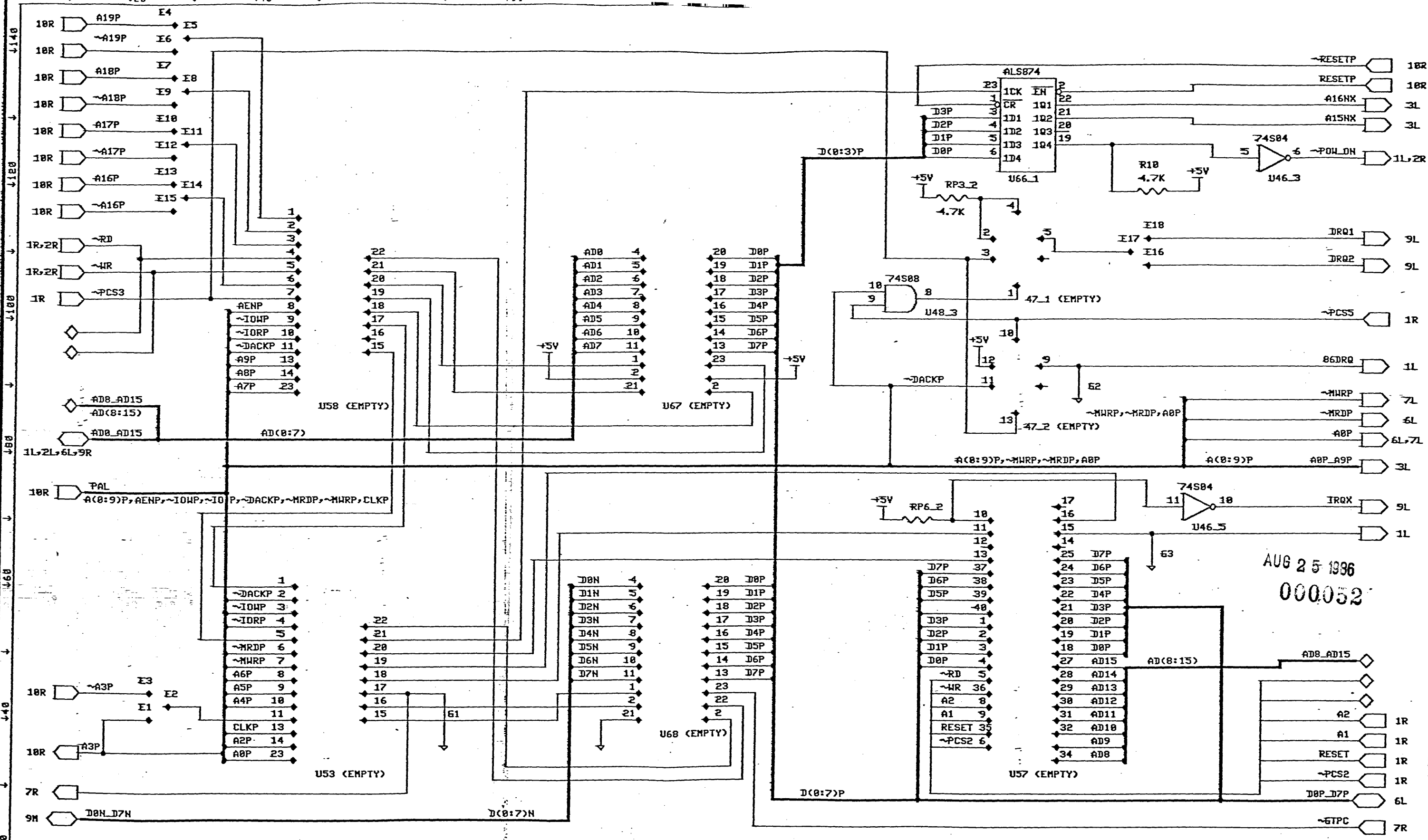
NOTES:	UNGERMANN-BASS
PAGE 6	LOGIC DIAGRAM
7/17/84	PCB NIU-180 PROCESSOR
9/26/84	13441-00
SHEET 6 OF 10 REV A	

000052
AUG 25 1986



PROPRIETARY INFORMATION
SEP 09 1986

NOTES:	UNGERMANN-BASS
PAGE 7	LOGIC DIAGRAM
7/17/84	PCB NIU-180 PROCESSOR
9/26/84	13441-00
SHEET 7 OF 18 REV A	

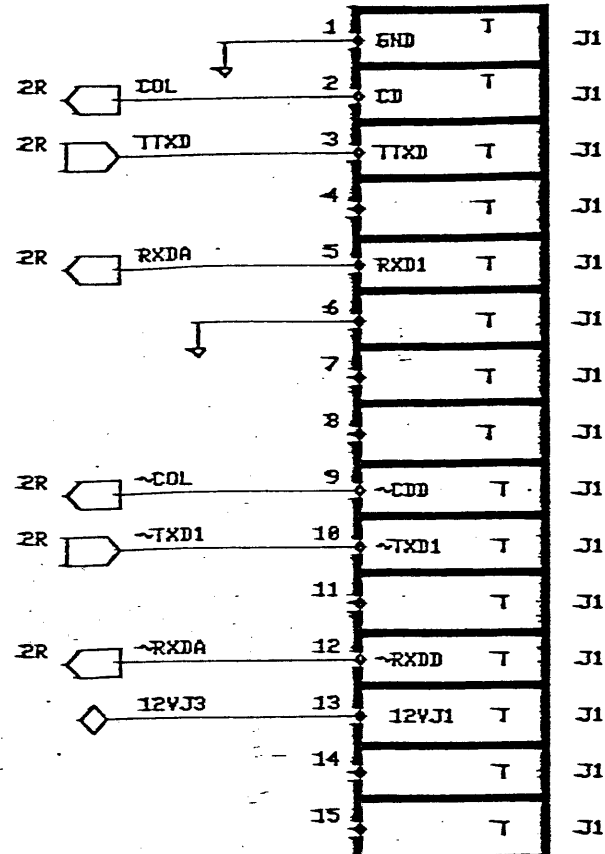


AUG 25 1986
000052

PROPRIETARY INFORMATION
SEP 09 1986

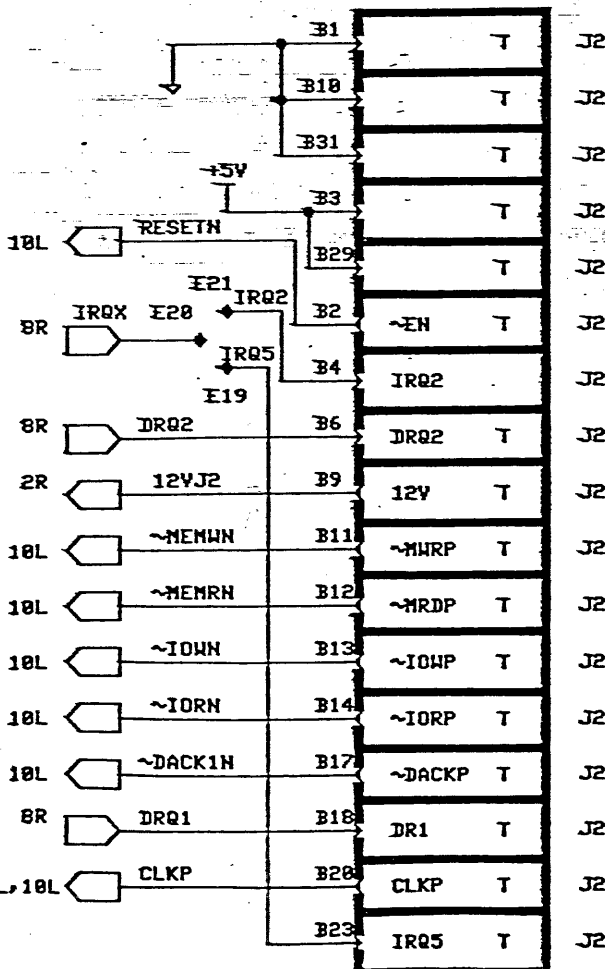
NOTES:	
PAGE 8	UNGERMAHN-BASS
7/17/84	LOGIC DIAGRAM
9/26/84	PCB NIU-180 PR CESSOR
	13441 00
SHEET 8 OF 98 REV A	

ETHERNET CONNECTOR

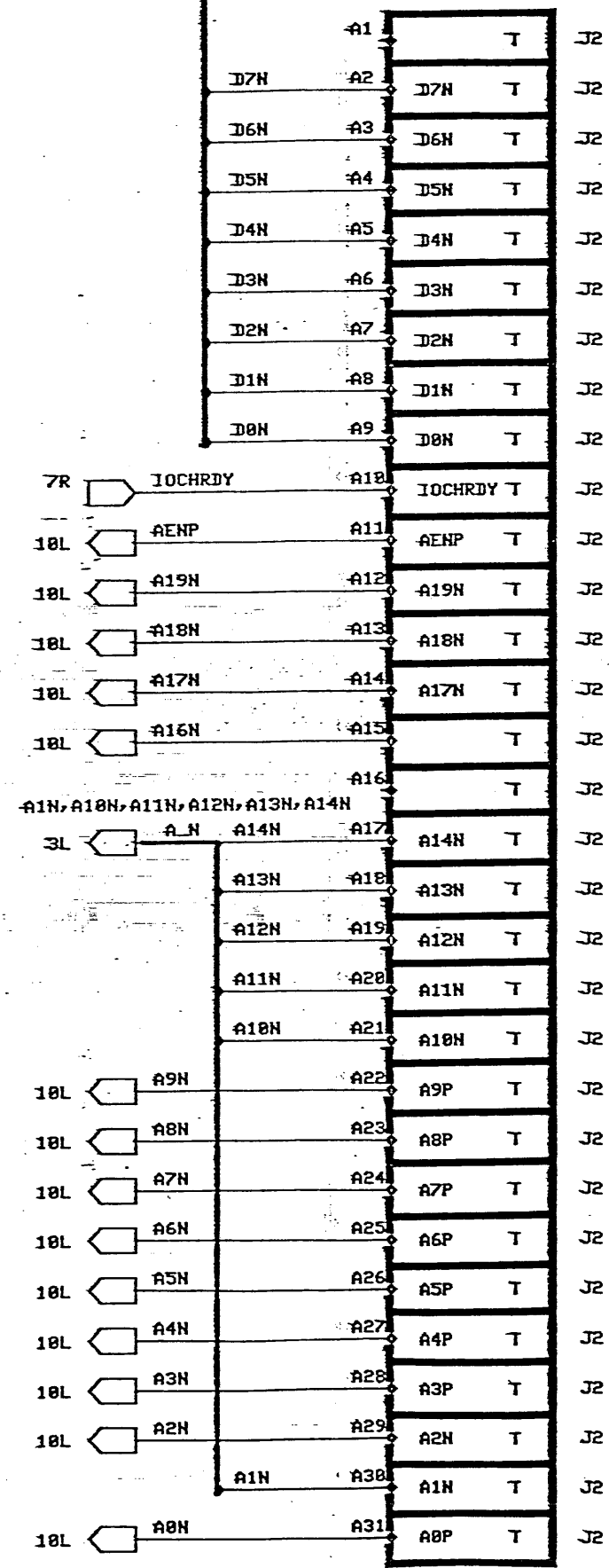


NOTE: J1 SHELL CONNECTED TO DC GND

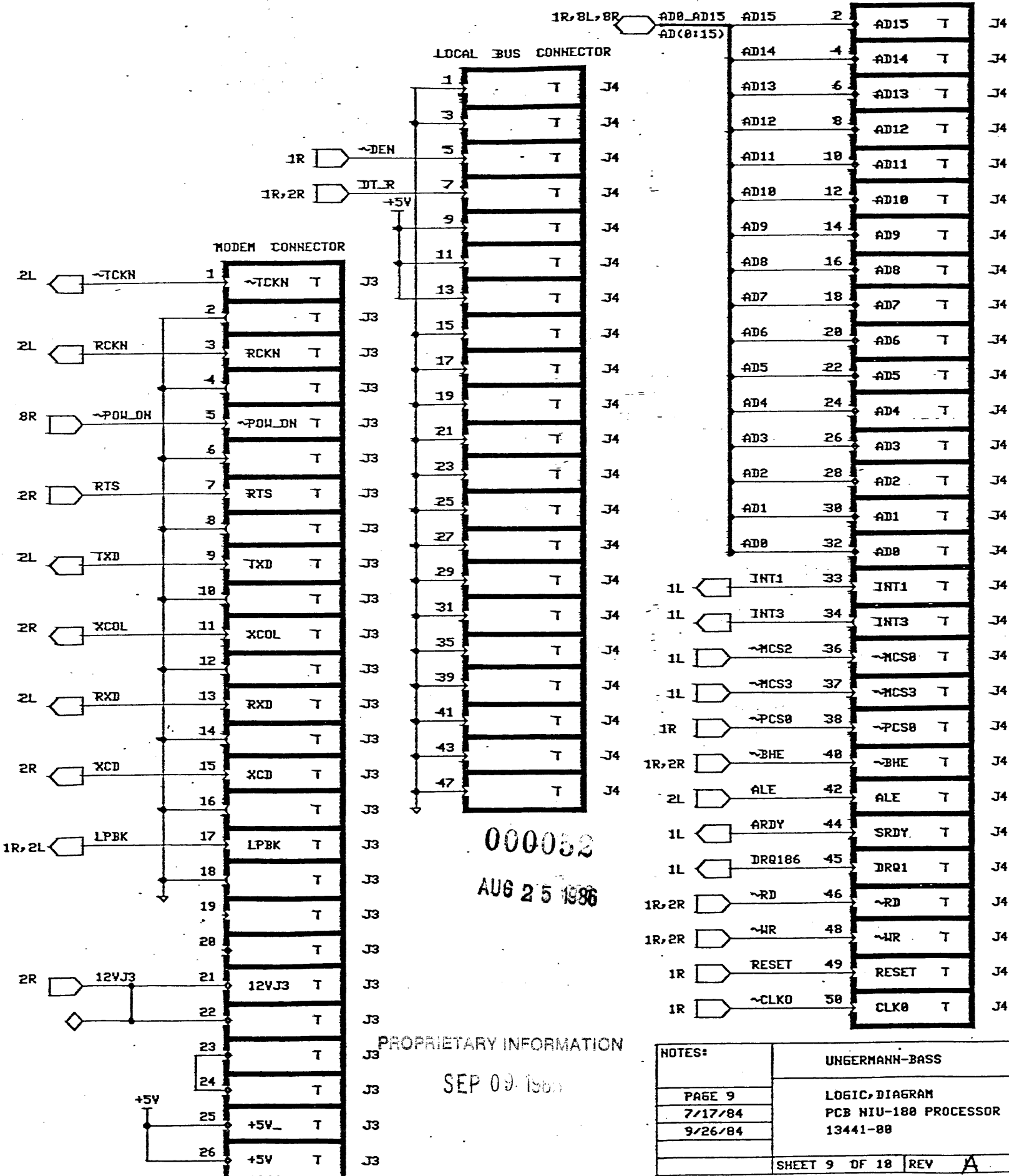
PC CONNECTOR



PC CONNECTOR



LOCAL BUS CONNECTOR



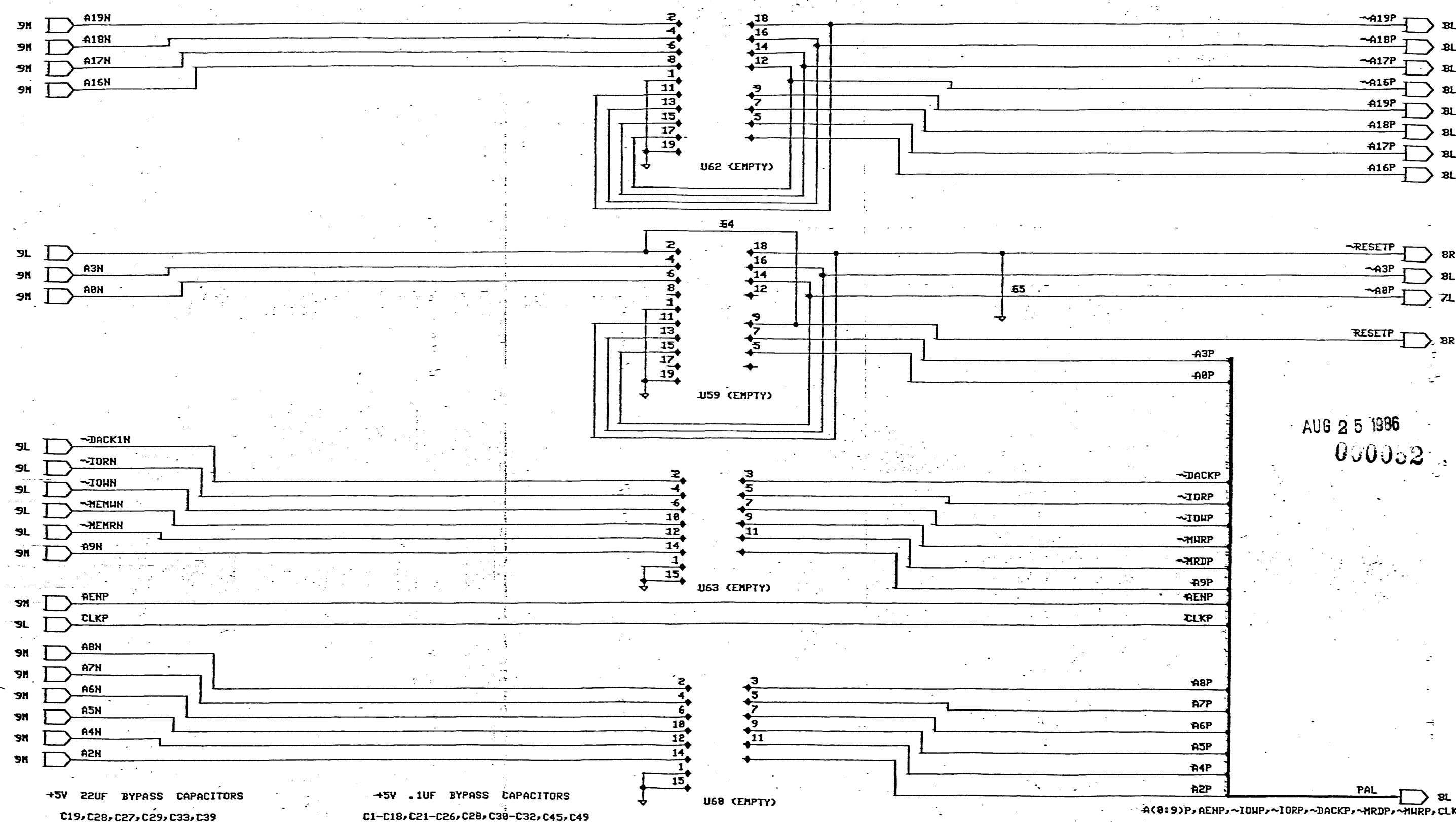
000052
AUG 25 1986

PROPRIETARY INFORMATION

SEP 09 1986

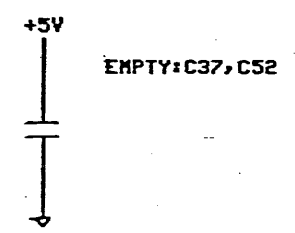
NOTES:		UNGERMANN-BASS	
PAGE 9	7/17/84	LOGIC DIAGRAM	
9/26/84		PCB NIU-100 PROCESSOR	
		13441-00	
		SHEET 9 OF 18	REV A

148
120
100
80
60
40
20

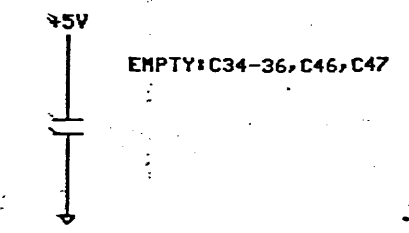


AUG 25 1986
000052

+5V 22UF BYPASS CAPACITORS
C19, C28, C27, C29, C33, C39



+5V .1UF BYPASS CAPACITORS
C1-C18, C21-C26, C28, C30-C32, C45, C49



PROPRIETARY INFORMATION
SEP 09 1986

NOTES:	UNGERMANN-BASS
7/17/84	LOGIC DIAGRAM
9/26/84	PCB HIU-188 PROCESSOR
	13441-88
SHEET 18 OF 18	PEV A

120 140 160 180 200 220 240 260 280 300 320 340 360 380 400 420 440 460 480 500 520 540 560 580 600 620 640 660 680 700 720 740 760 780 800 820 840 860 880 900 920 940 960 980