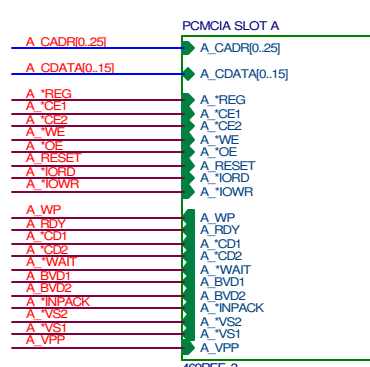
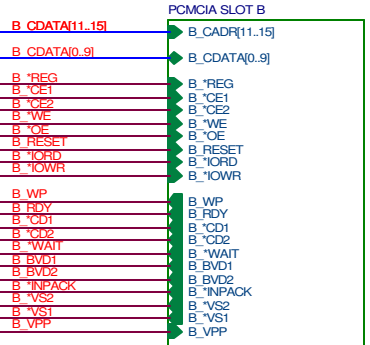




469REF\_2

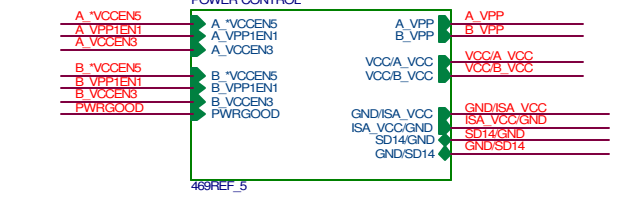


469REF\_3

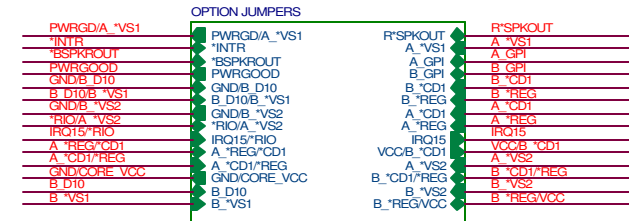


469REF\_4

OPTION JUMP ERTABLE			
JUMPER	VG-468	VG-469	COMMENTS
JP1	SHORT	OPEN	
JP2	SHORT	OPEN	
JP3	1-2	2-3	
JP4	1-2	2-3	
JP5	1-2	2-3	
JP6	1-2	2-3	
JP7	2-3	1-2	
JP8	1-2	2-3	
JP9	2-3	2-3	CONNECT ONLY F PWRGOOD NOT AVAILABLE
JP10	SEE COMMENTS		TEST POINTHEADER
JP11	1-2	2-3	
JP12	1-2	2-3	
JP13	1-2	2-3	
JP14	1-2	2-3	
JP15	1-2	2-3	
JP16	1-2	2-3	
JP17	1-2	2-3	
JP18	1-2	2-3	
JP19	1-2	2-3	
JP20	1-2	2-3	
JP21	SEE COMMENTS		CONNECT 2-3 FOR VG469 USING *RIO, OTHERWISE CONNECT 1-2
JP22	1-2	2-3	
JP23	NOTE	2-3	NOTE: VG-468 1-2 ADDRESS 3E0/1, 2-3 ADDRESS 3E2/3
JP24	SEE COMMENTS		1-2 INDEX 00-FH 2-3 INDEX 80-FH
JP25	VG-469 ONLY		CONNECT 2-3 TO PROGRAM EEPROM, OTHERWISE CONNECT 1-2
JP26	SEE COMMENTS		VG-468 1-2 VG-469 1-2 5V ISA BUS VG-469 2-3 3.3V ISA BUS



469REF\_5



469REF\_6

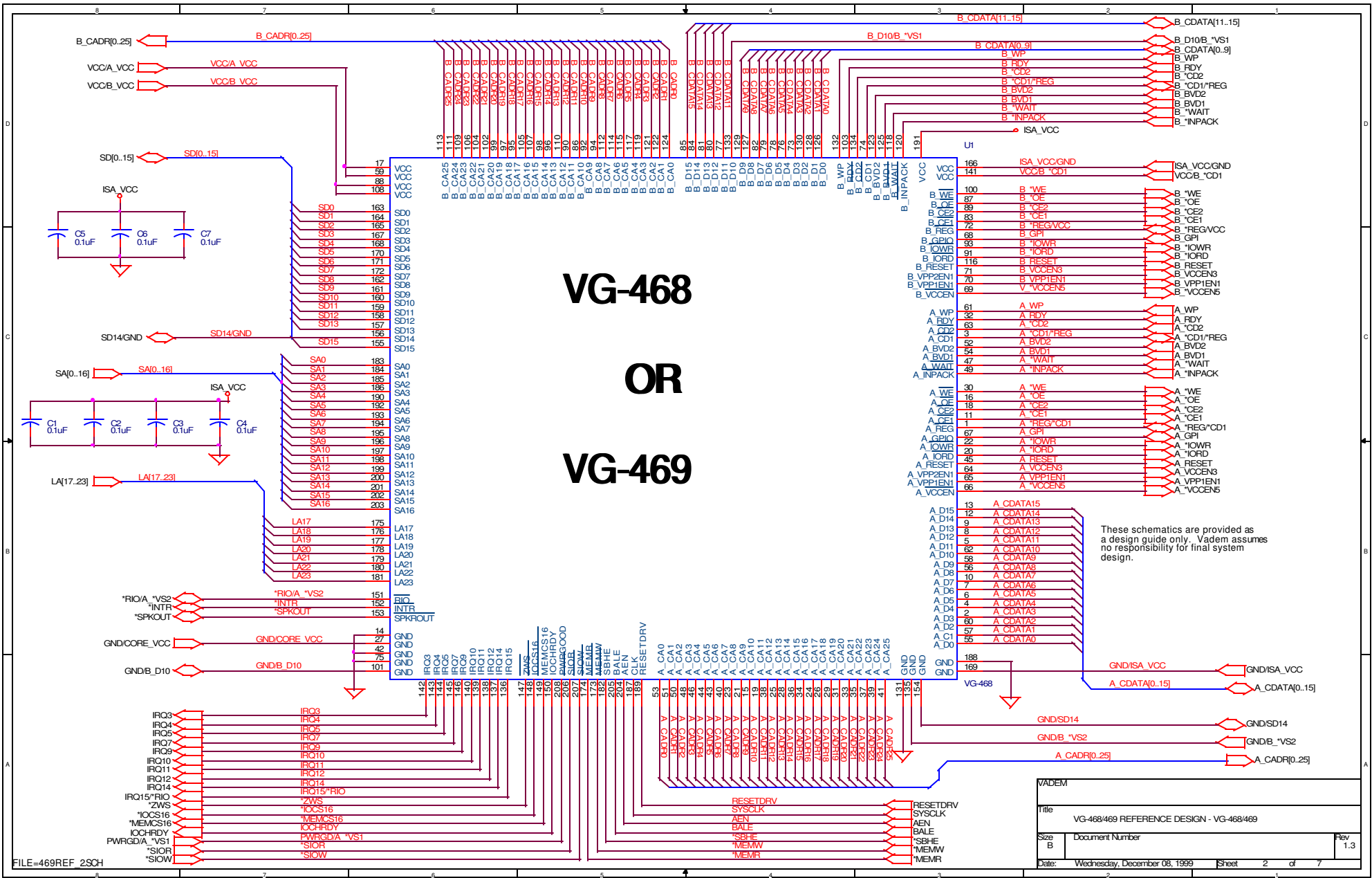


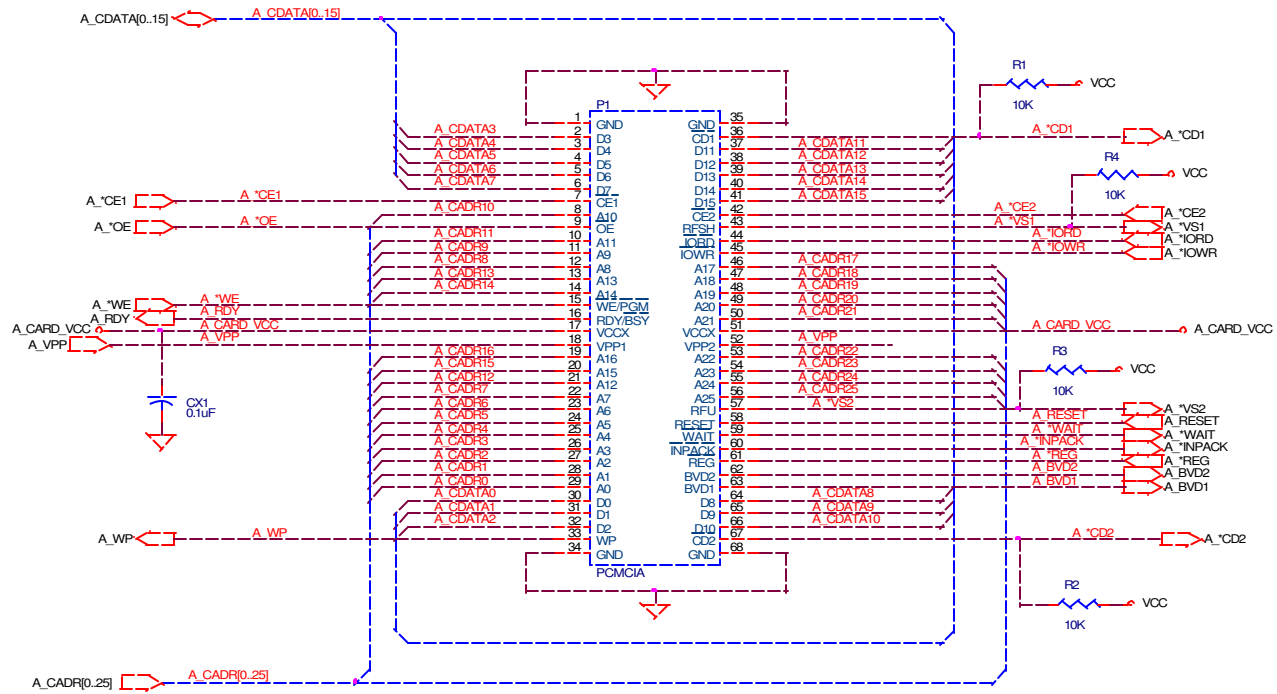
469REF\_7

These schematics are provided as a design guide only. Vadem assumes no responsibility for final system design.

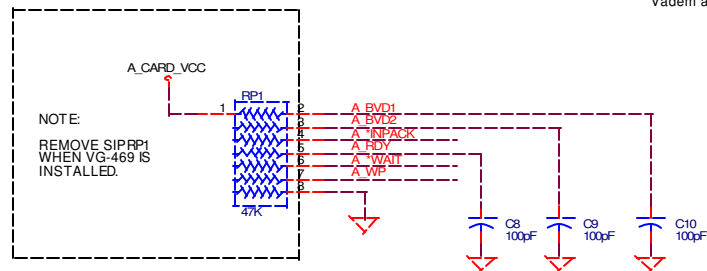
REV 1.3 Changes:  
Added JP26 for VG-469  
ISA Bus voltage select  
REV 1.2 Changes:  
Added Plug & Play Option

VADEM		
Title VG-468/469 REFERENCE DESIGN		
Size B	Document Number	Rev 1.3
Date: Thursday, February 06, 2003	Sheet	1 of 7





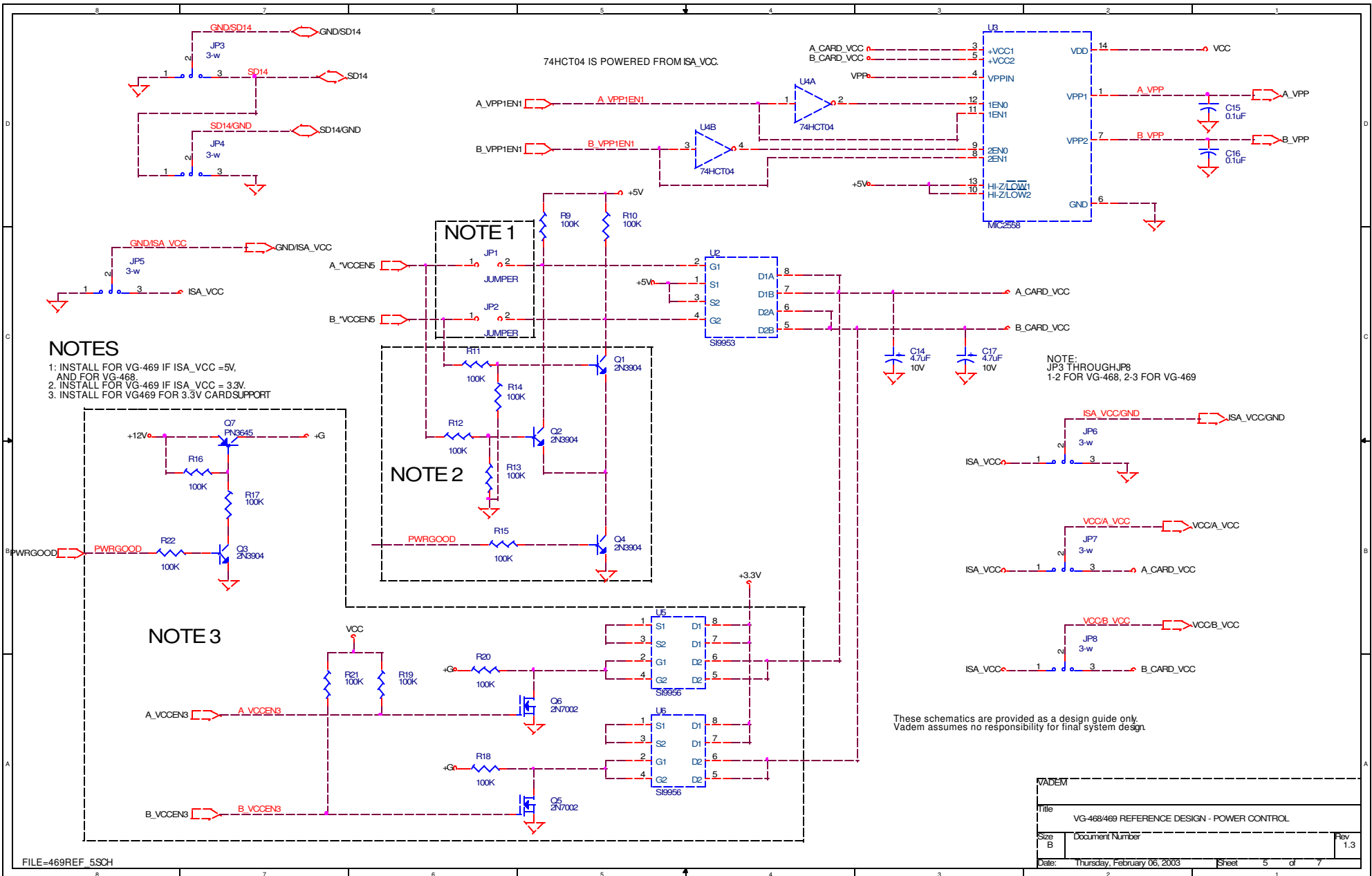
These schematics are provided as a design guide only. Vadem assumes no responsibility for final system design.



NOTE:  
REMOVE SIPRP1  
WHEN VG-469 IS  
INSTALLED.

VADEM		
Title VG-468/469 REFERENCE DESIGN - PCMCIA SLOT A		
Size I B	Document Number	Rev 1.3
Date: Wednesday, December 08, 1999	Sheet 3	of 7





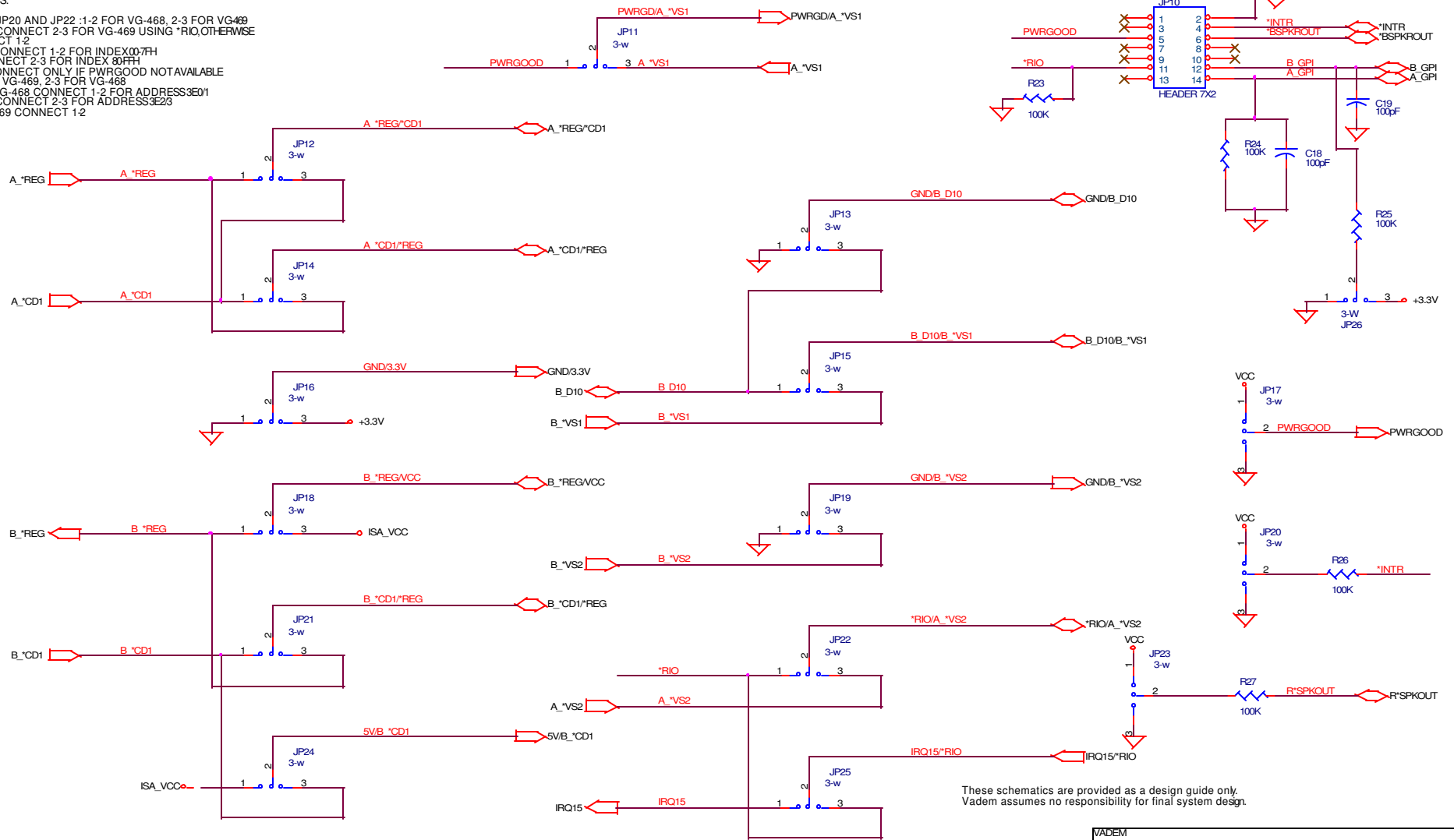
### NOTES

1. INSTALL FOR VG-469 IF ISA\_VCC = 5V, AND FOR VG-468.
2. INSTALL FOR VG-469 IF ISA\_VCC = 3.3V.
3. INSTALL FOR VG-469 FOR 3.3V CARDSUPPORT

THESE JUMPER OPTIONS ARE ZERO OHM RESISTORS INSTALLED DURING ASSEMBLY.

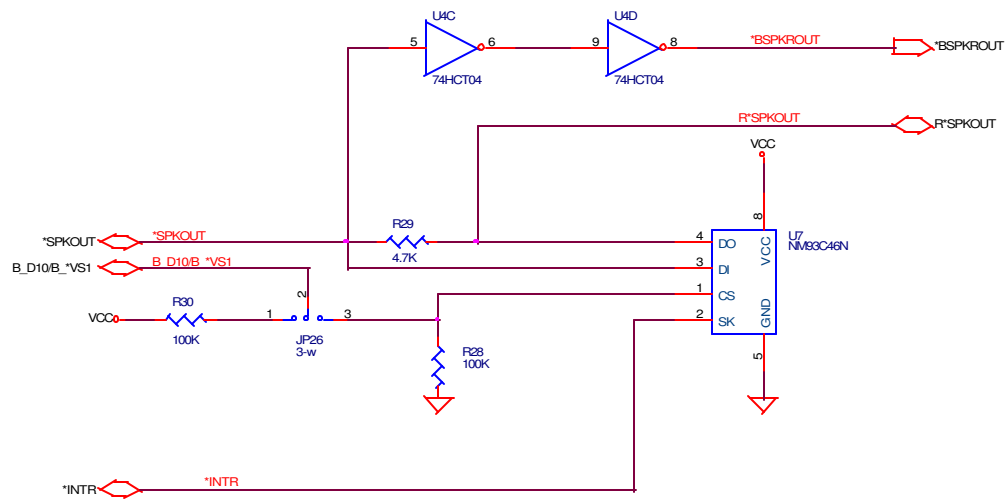
NOTES:

- 1: JP11 - JP20 AND JP22 :1-2 FOR VG-468, 2-3 FOR VG-469
- 2: JP21 - CONNECT 2-3 FOR VG-469 USING \*RIO, OTHERWISE CONNECT 1-2
- 3: JP24, CONNECT 1-2 FOR INDEX 007FH, CONNECT 2-3 FOR INDEX 80FFH
- 4: JP9, CONNECT ONLY IF PWRGOOD NOT AVAILABLE 1-2 FOR VG-469, 2-3 FOR VG-468
- 5: JP23, VG-469, CONNECT 1-2 FOR ADDRESS 3E01, CONNECT 2-3 FOR ADDRESS 3E23, VG-469 CONNECT 1-2



These schematics are provided as a design guide only. Vadem assumes no responsibility for final system design.

VADEM		
Title VG-468/469 REFERENCE DESIGN - OPTION JUMPERS		
Size B	Document Number	Rev 1.3
Date: Thursday, February 06, 2003	Sheet 6	of 7



These schematics are provided as a design guide only.  
Vadem assumes no responsibility for final system design.

VADEM		
Title VG-468/469 REFERENCE DESIGN - PLUG & PLAY		
Size B	Document Number	Rev 1.3
Date: Thursday, February 06, 2003	Sheet 7	of 7