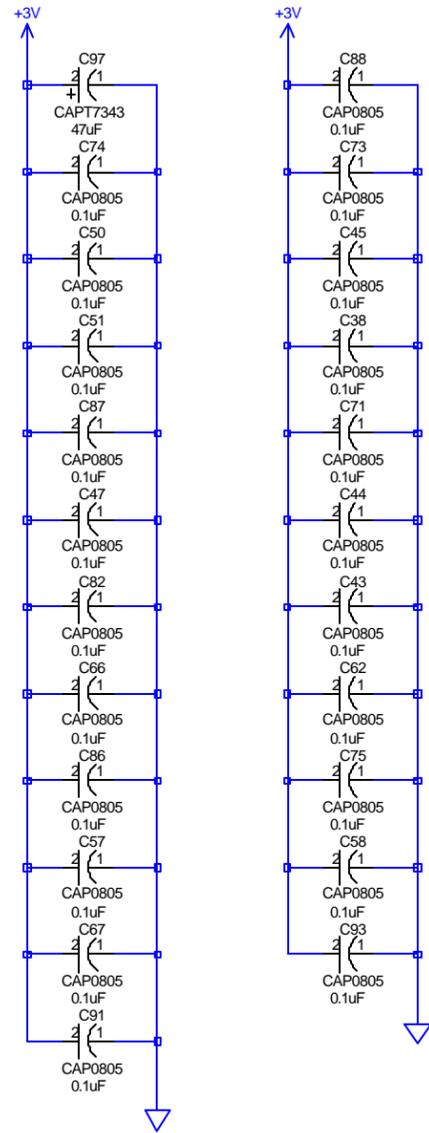
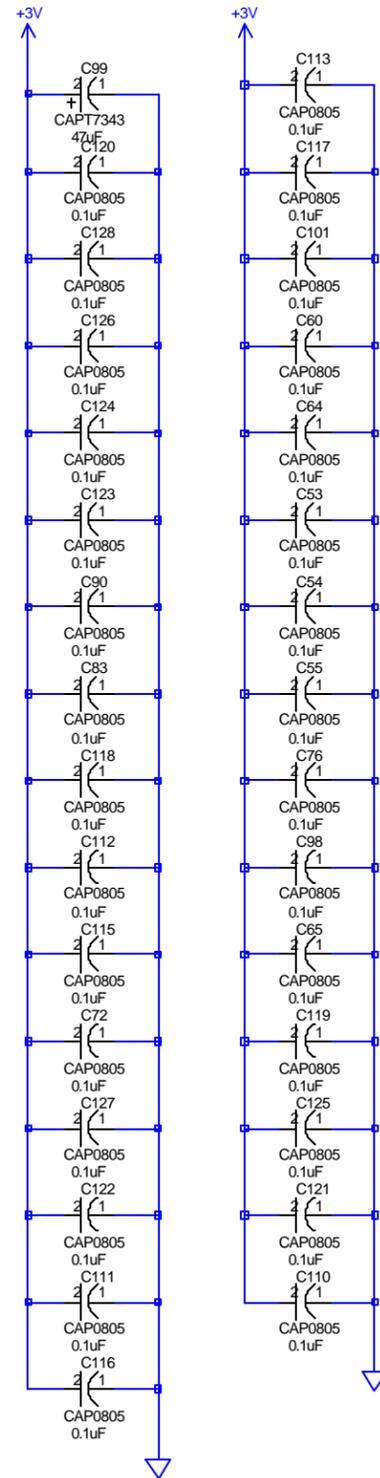


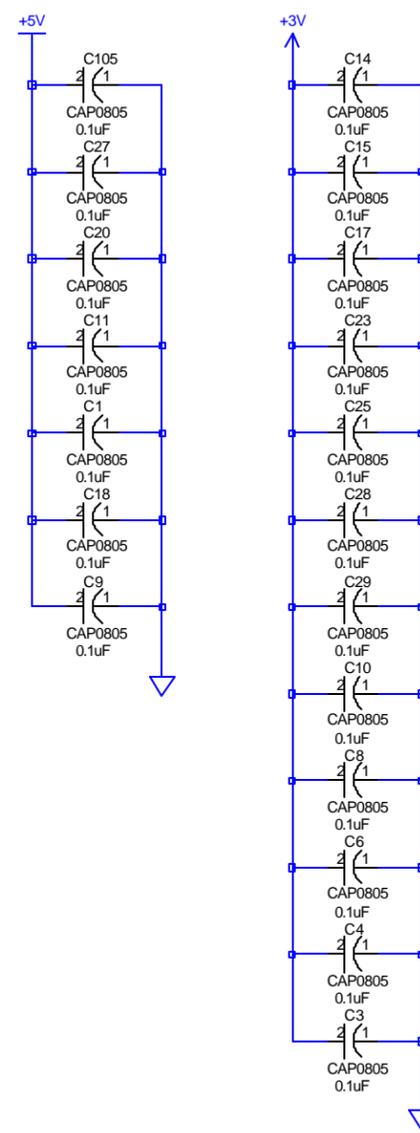
IC DECOUPLING



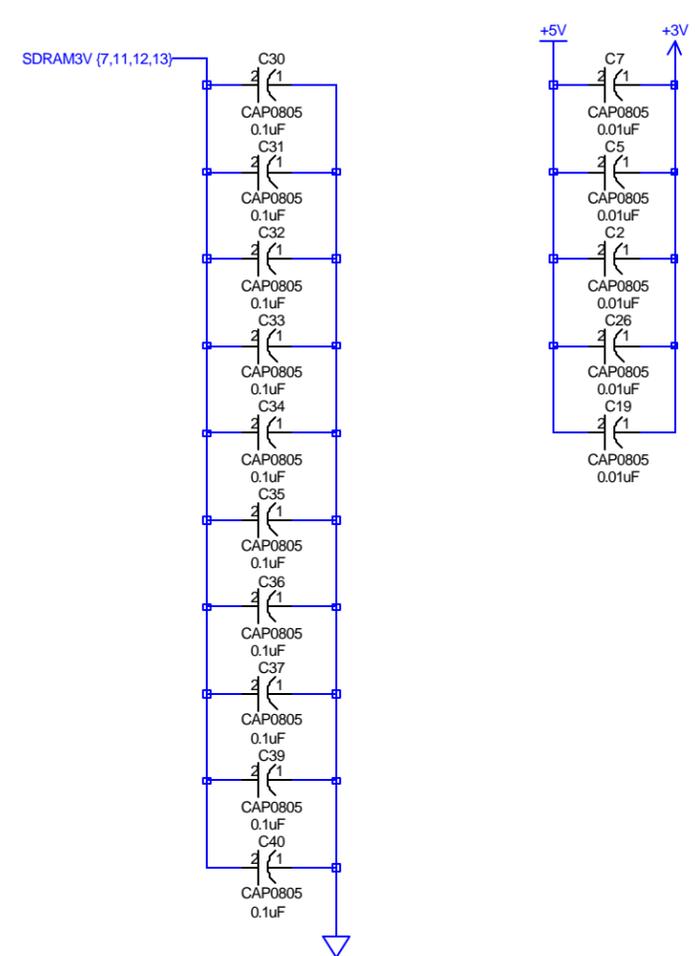
GC80303 DECOUPLING



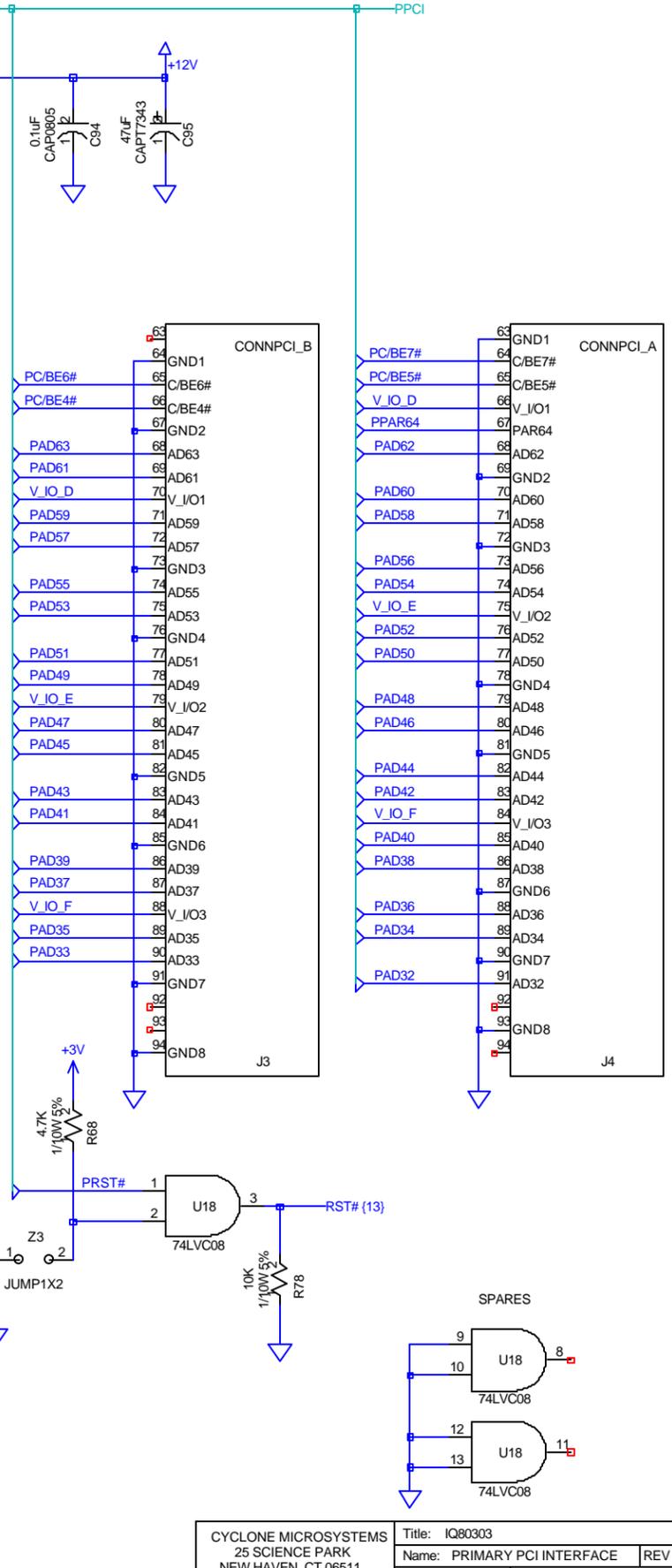
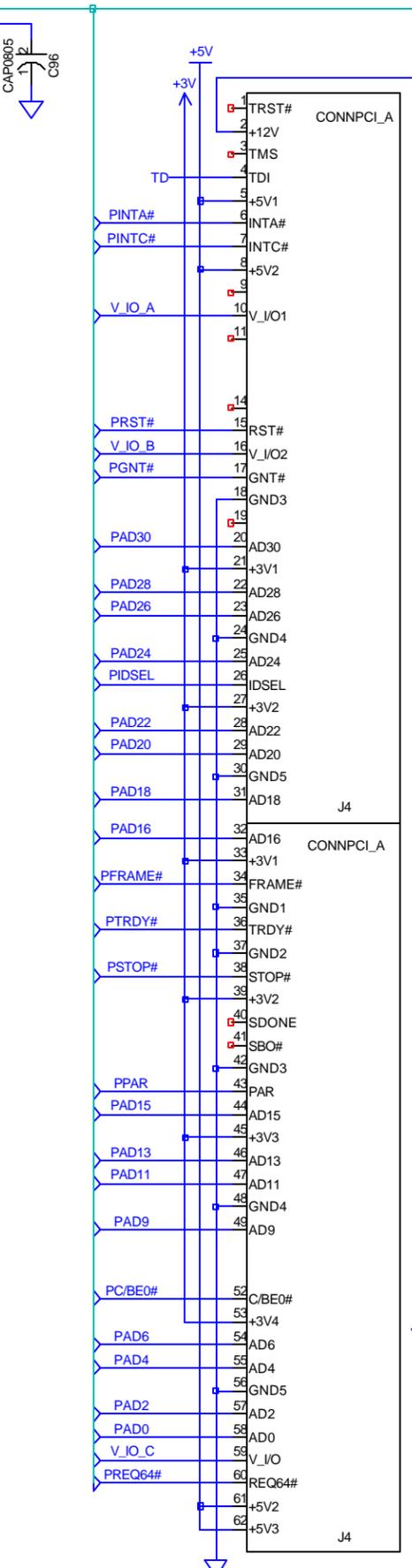
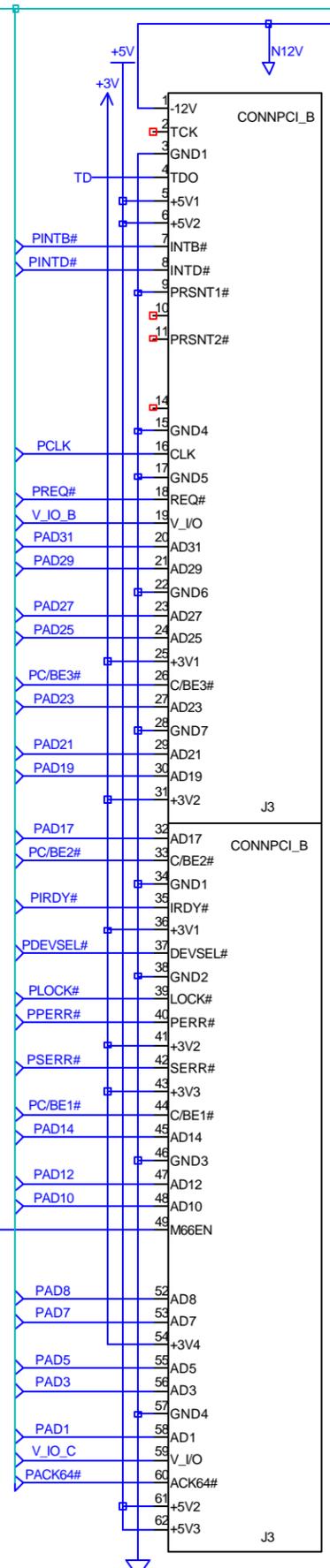
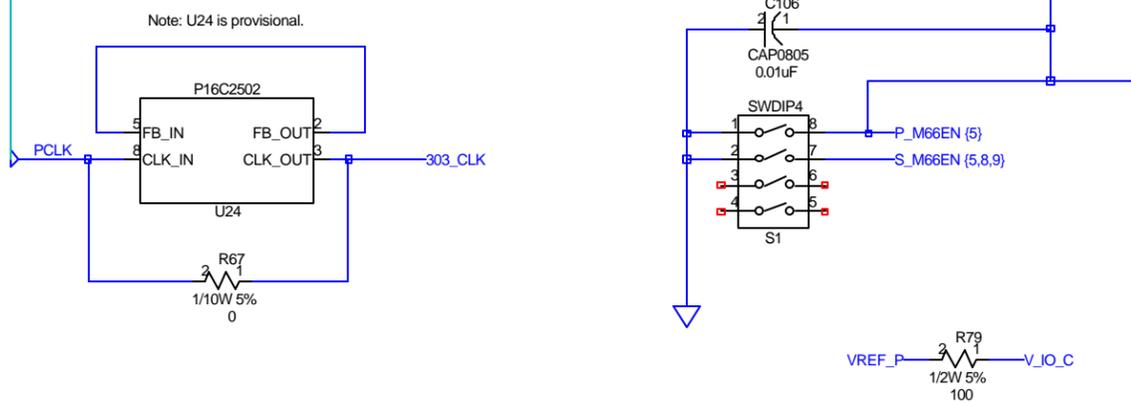
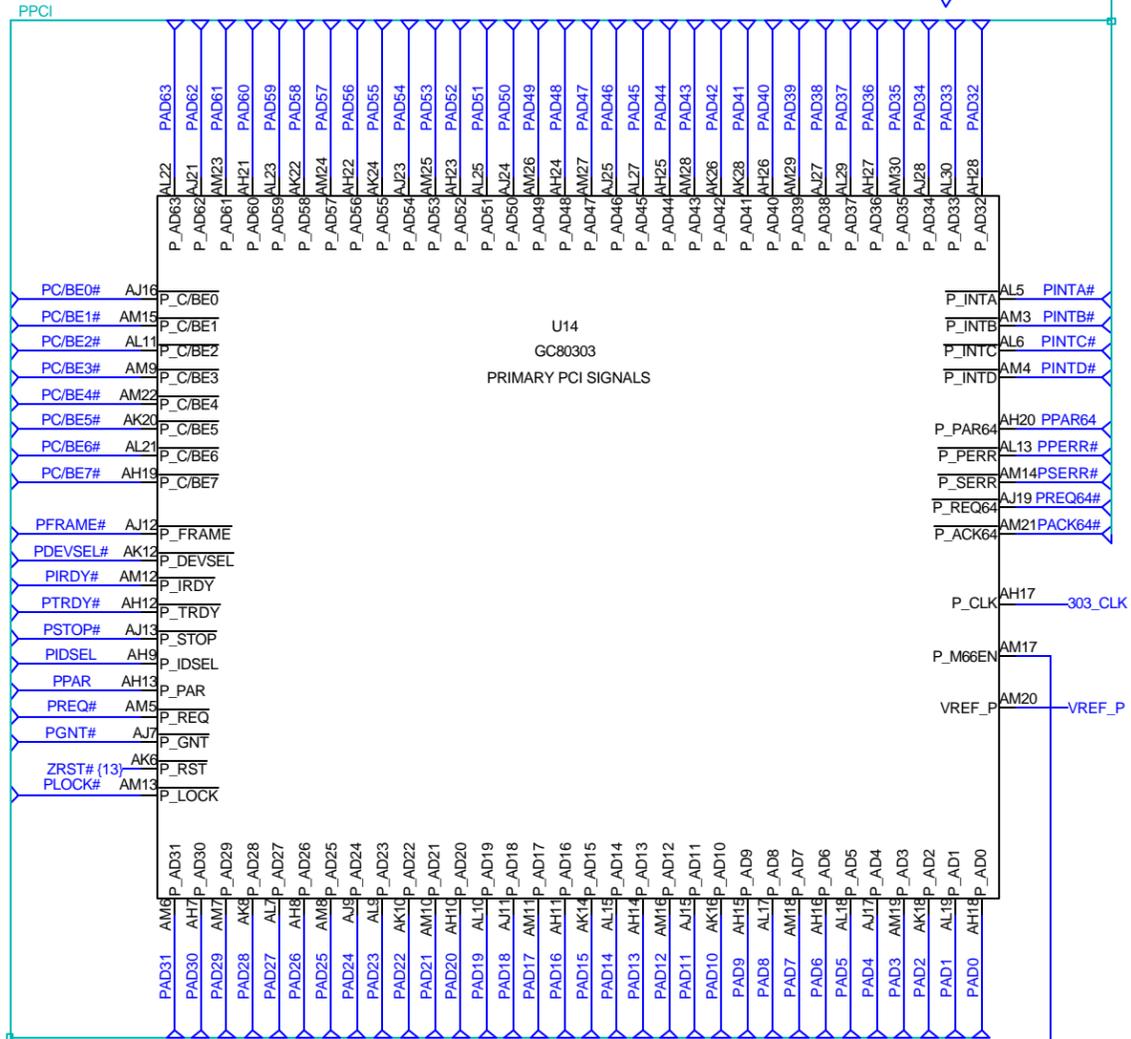
SPCI DECOUPLING

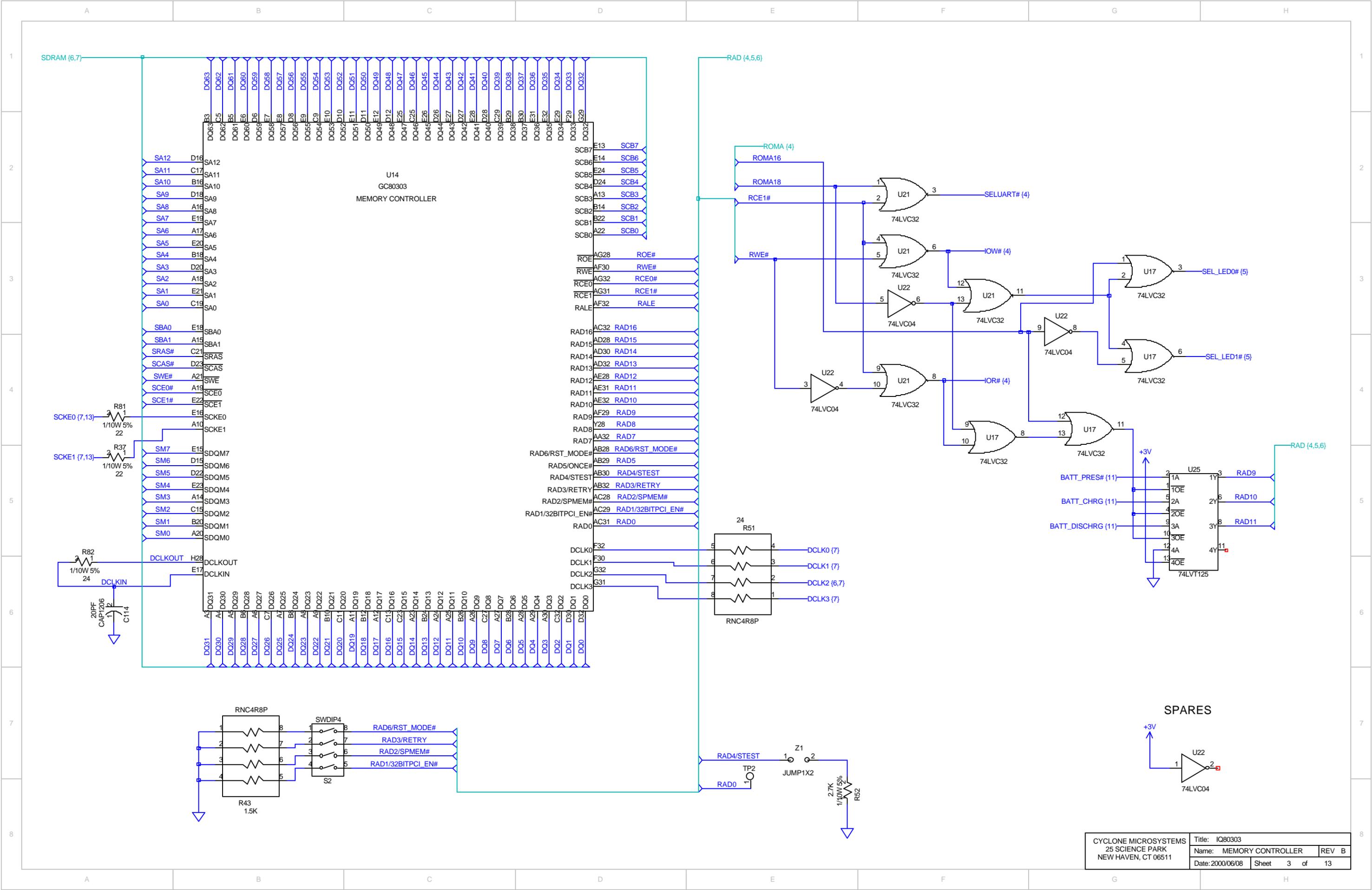


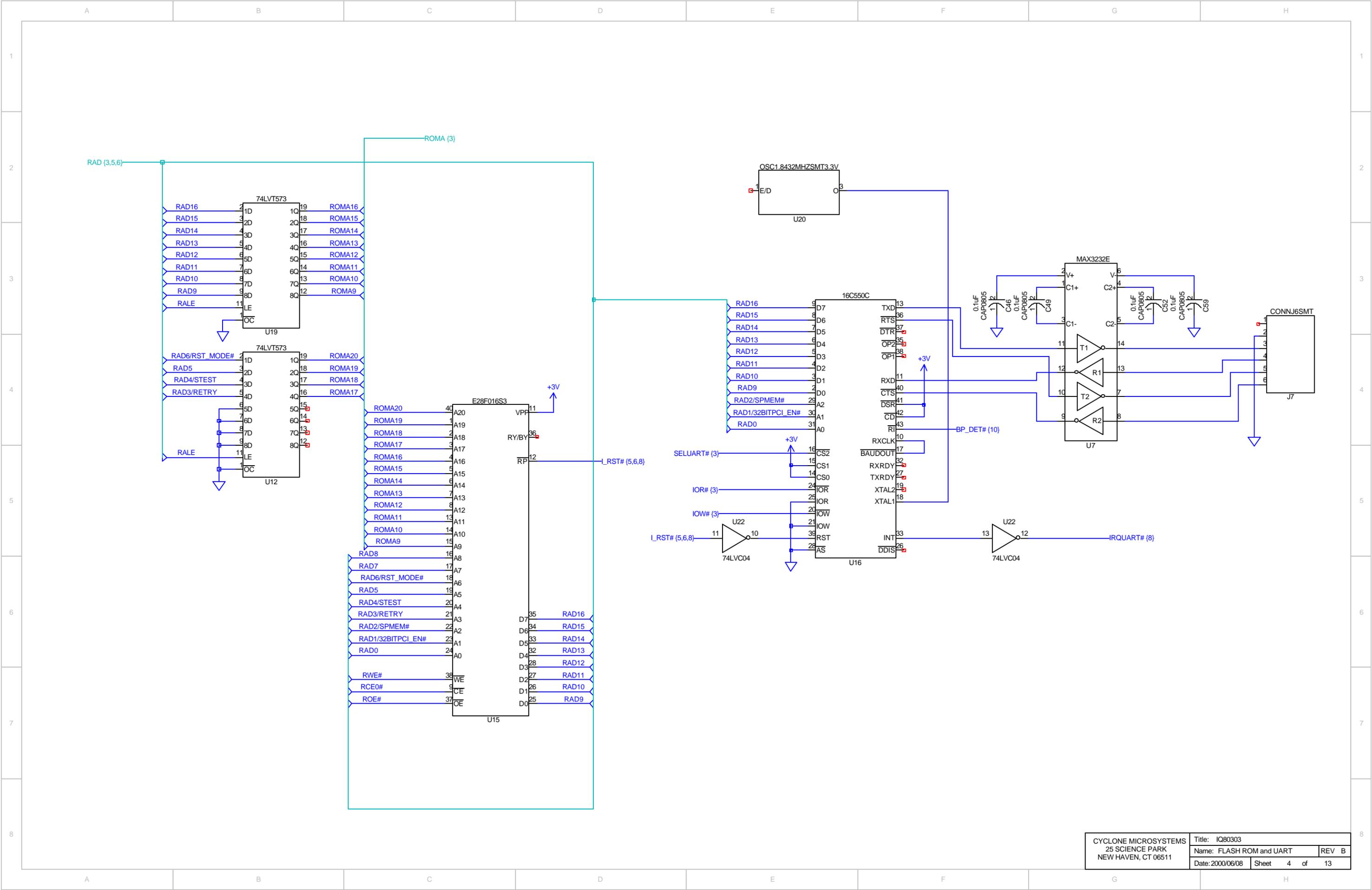
SDRAM DECOUPLING

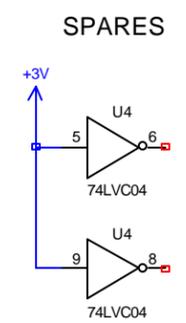
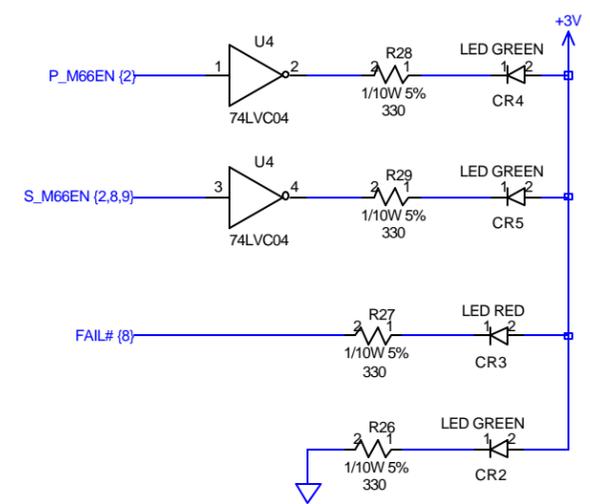
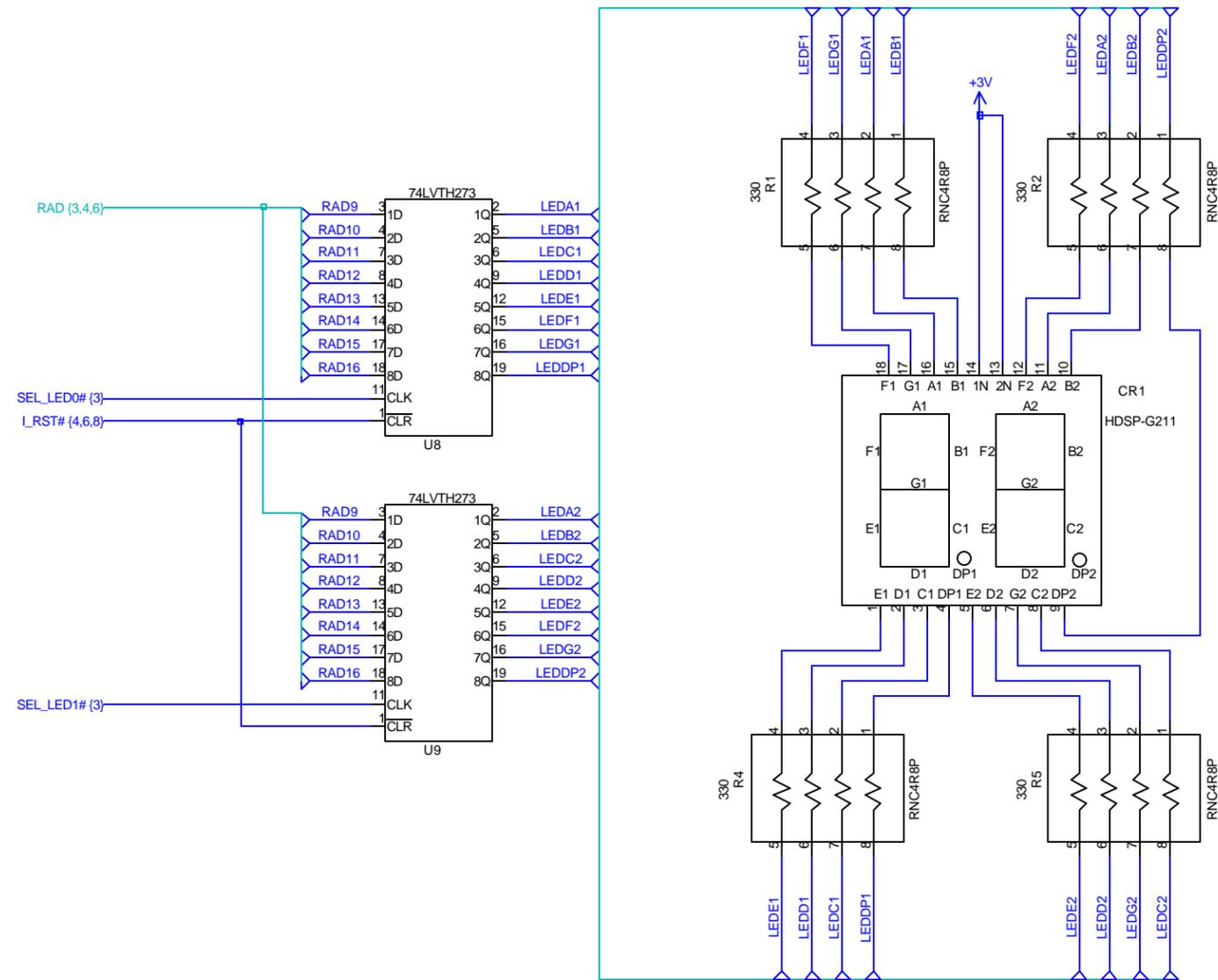


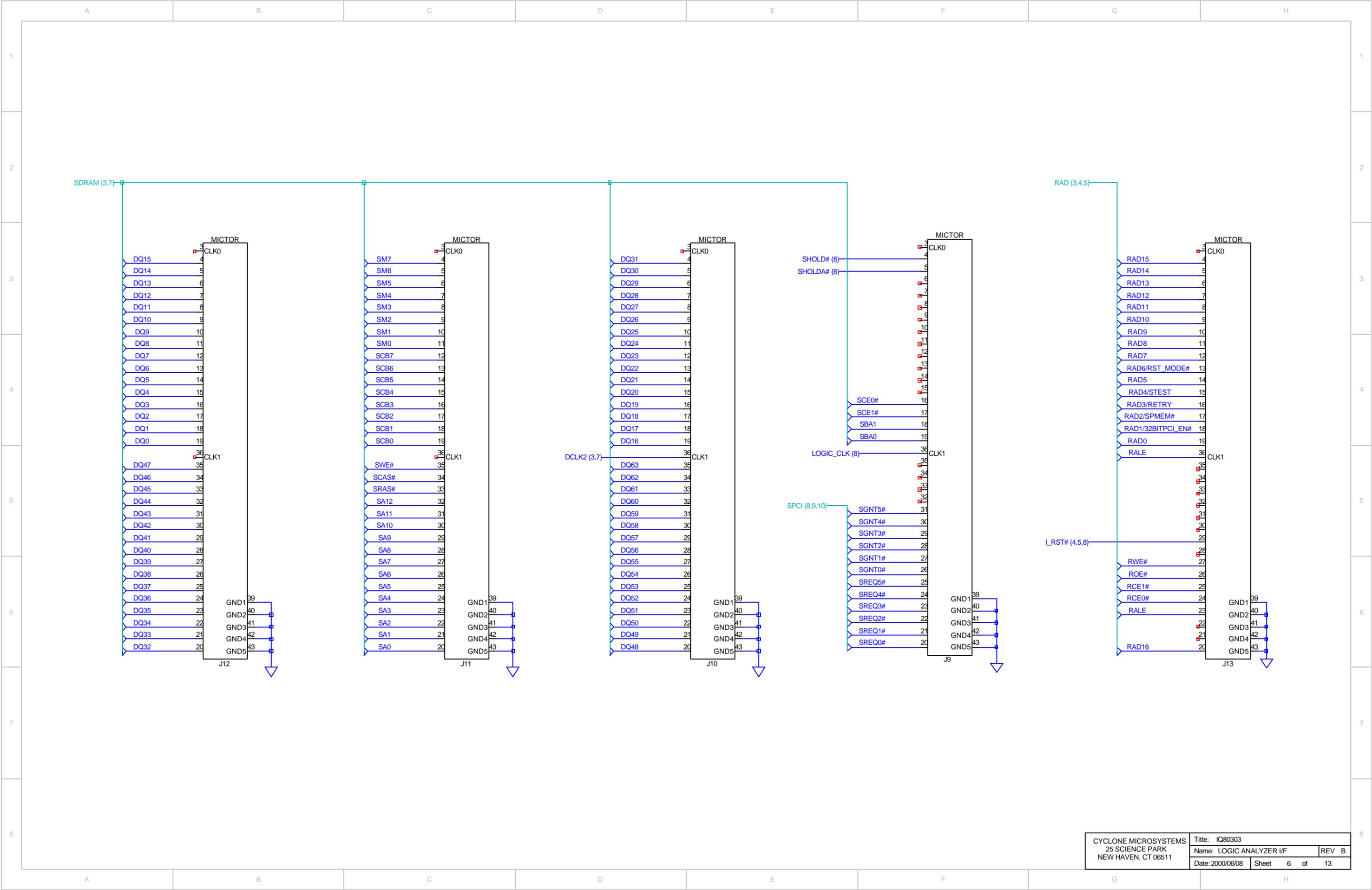
TP1

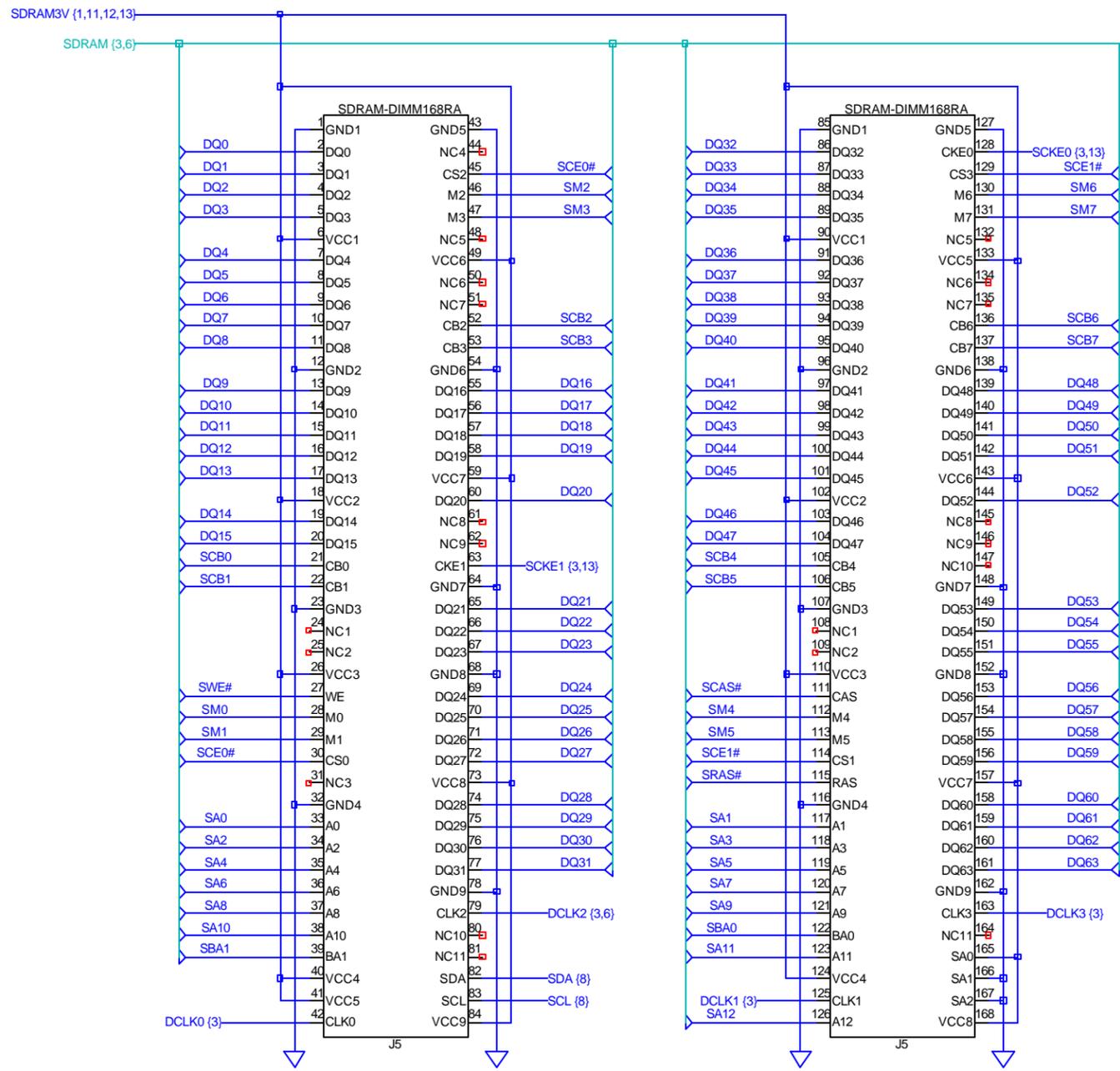


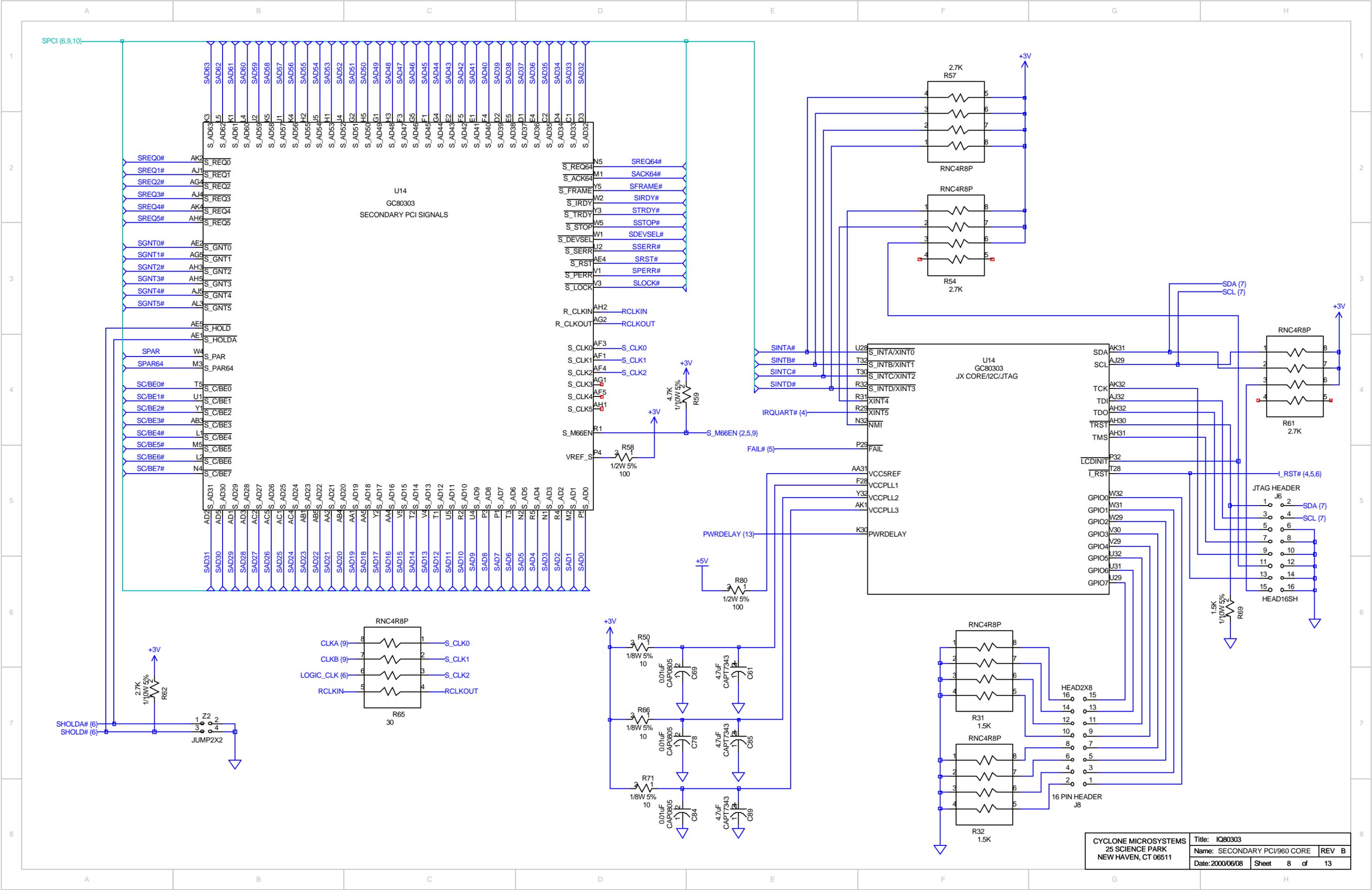


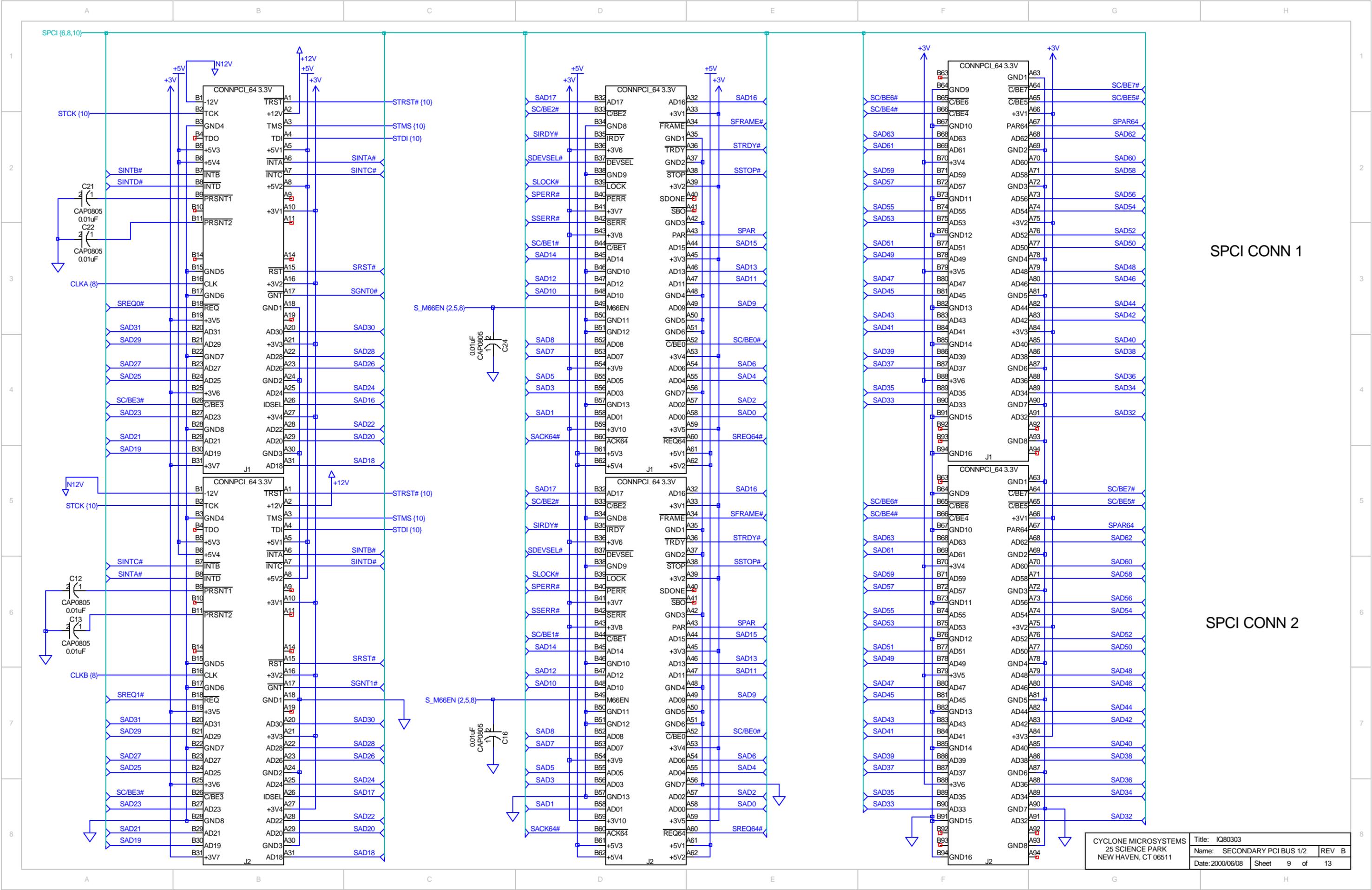






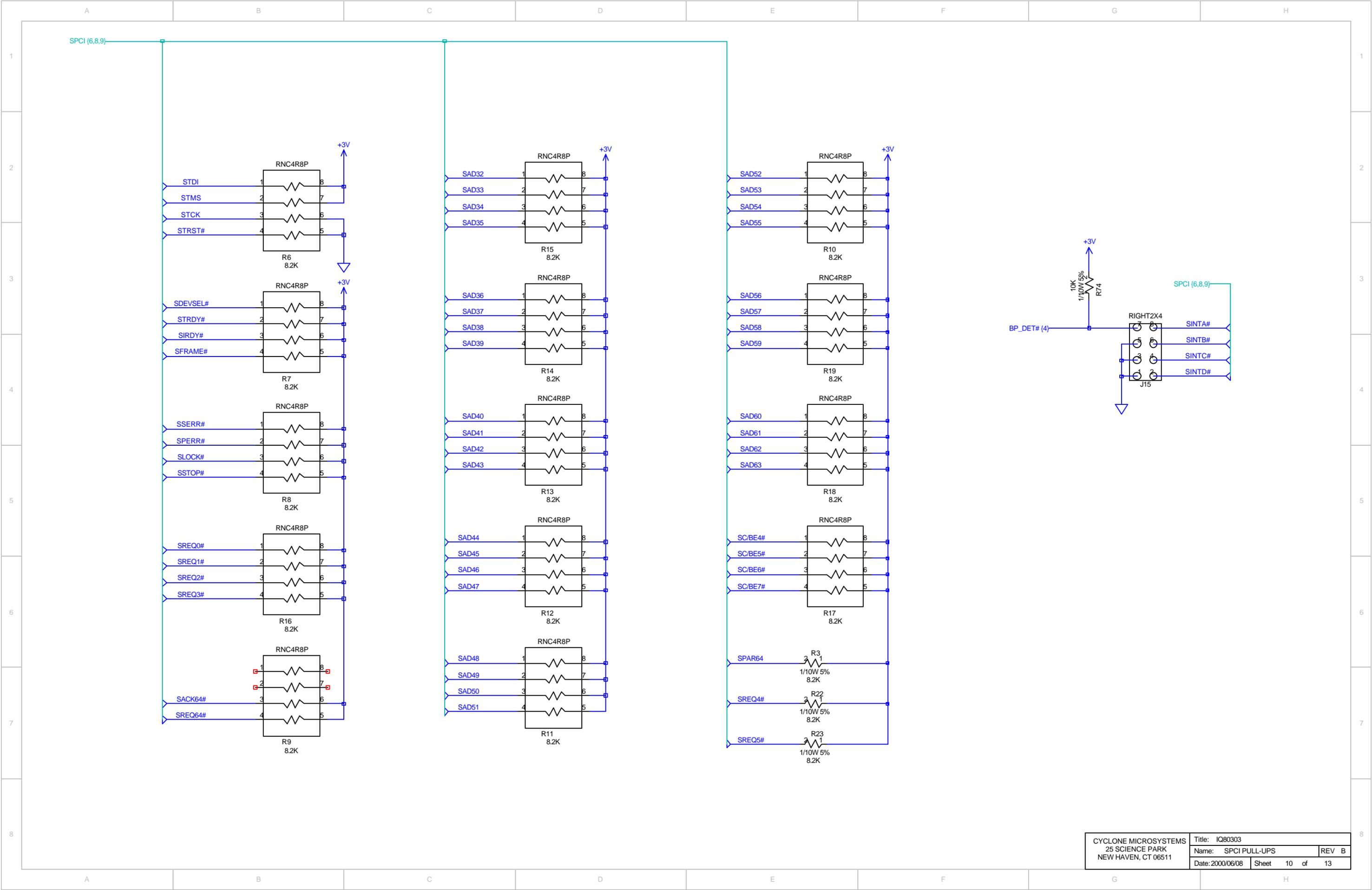


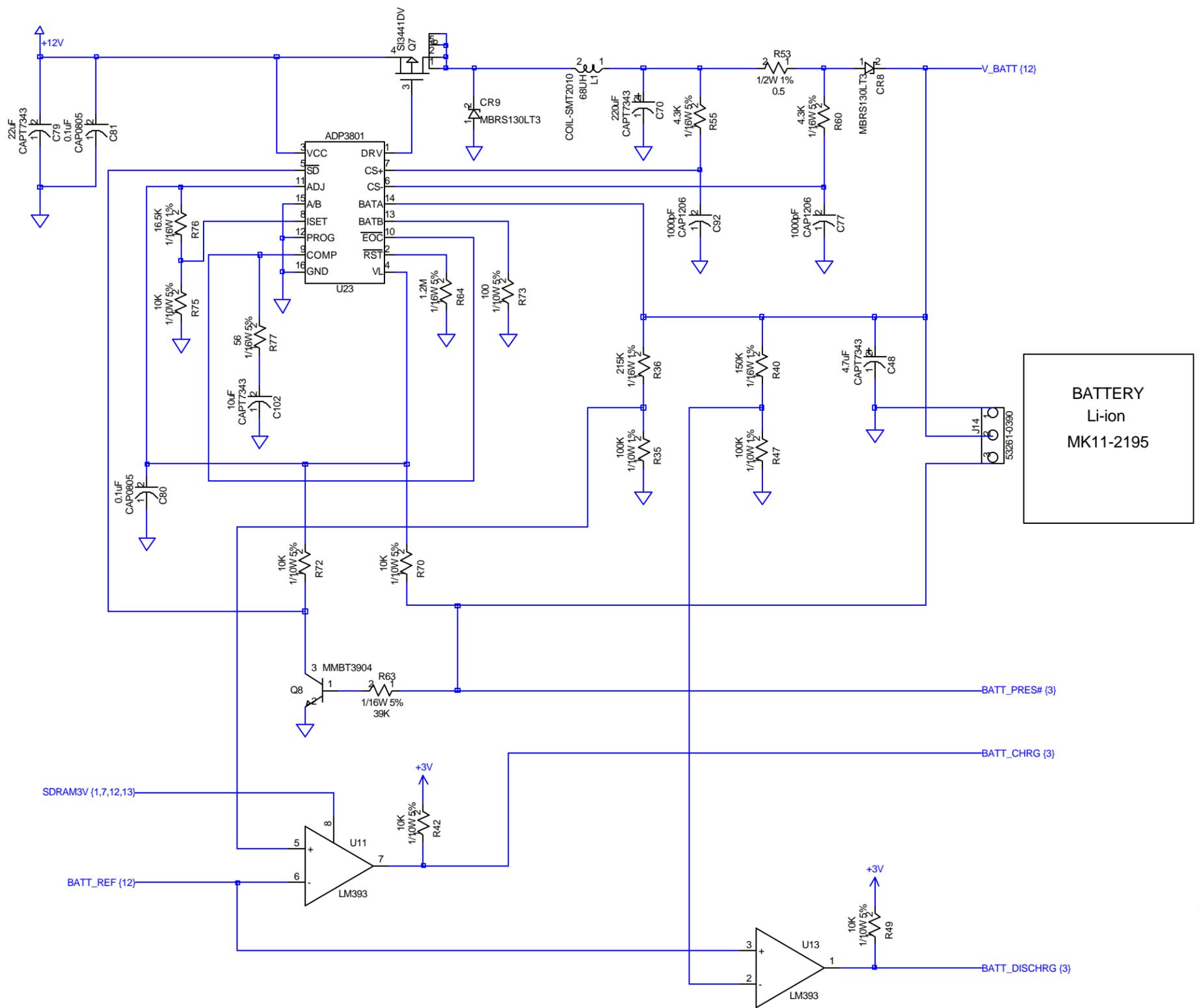




SPCI CONN 1

SPCI CONN 2





BATTERY
Li-ion
MK11-2195

SPARES

