

# DESKTOP

## .....82C802G Single Chip GREEN PC Chipset.....

**O**PTi's 82C802G single chip GREEN PC chipset is the optimum solution to support systems bearing the energy star standard approval. The 82C802G provides support for Intel SLe type CPUs, as well as 486SX/DX/DX2 and write-back CPUs, such as the P24T.

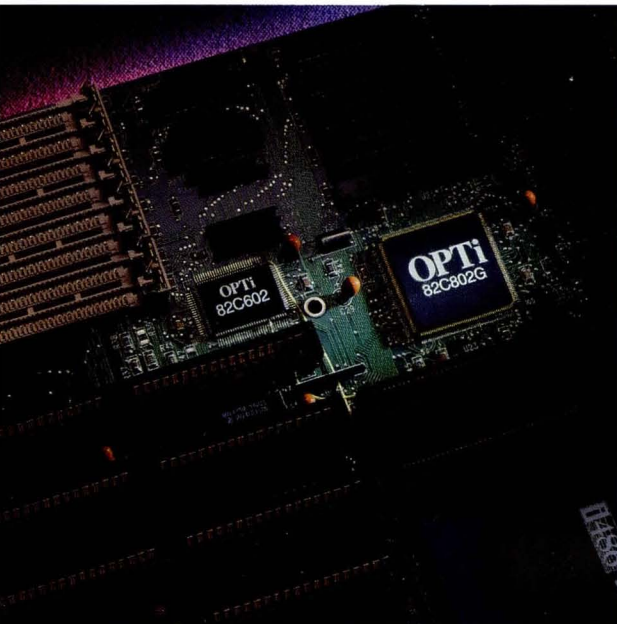
The 82C802G has a built-in activity timer which monitors interrupts, DMA, video, keyboard, floppy, and hard disk accesses. Coupled with the OPTi 82C602 data buffer chip, the GREEN PC chipset offers three power control ports that control such features as a clock synthesizer chip, monitor syncs, and STPCLK# to the CPU.

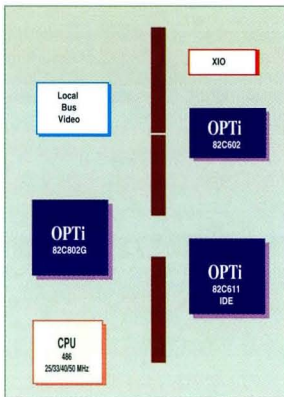
The 82C802G consists of a single chip VLSI that acts as a controller for: WB and SLe CPU, VESA local bus, L2 cache, AT bus, and ISA Bus peripherals. It is also a superset of the proven 82C801 and 82C802 core.

The 82C802G has the capability to trigger the system into a power savings mode. OEMs can now enjoy power savings, while having the flexibility of supporting both SLe and non-SLe type systems.

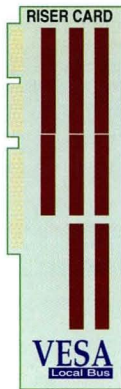
### Features/Benefits

- Supports L1 write-back
- Supports STPCLK# and SMI# on LSe CPUs
- Easy upgrade from 82C802
- Supports Intel SLe CPUs
- Monitor/timer for entering and exiting GREEN mode
- External power management input to allow external trigger to GREEN mode
- Two power saving modes: Auto\_GREEN and SMI\_GREEN
- Power management port to control external devices during GREEN mode when coupled with the 82C602
- Support APM drivers to allow system to enter GREEN mode
- Single chip PC/AT solution: one 208 pin CMOS Plastic Flat Package (PFP)
- IX clock source, supporting systems running from 16 MHz to 50 MHz
- Write-back, direct-mapped, back interleave cache with size selections: 64, 128, 256, and 512K
- Supports 2-1-1-1, 3-1-1-1, 2-2-2-2, and 3-2-2-2 cache burst cycles
- Support for two programmable non-cacheable regions
- Built-in TAG auto-invalidation circuitry
- Option for write-protected, cacheable Video and System BIOS
- Supports System Management Mode (SMM) for Green-PC Management
- Programmable cache and DRAM read/write cycles
- Supports 8 banks of 256K to 16M DRAMs for configurations up to 128 MB
- Support 3-2-2-2 DRAM burst cycles
- Shadow RAM option
- Hidden refresh and conventional refresh support
- VESA VL local bus support
- Synchronous and Asynchronous AT Bus clock support





High Volume Commodity  
GREEN



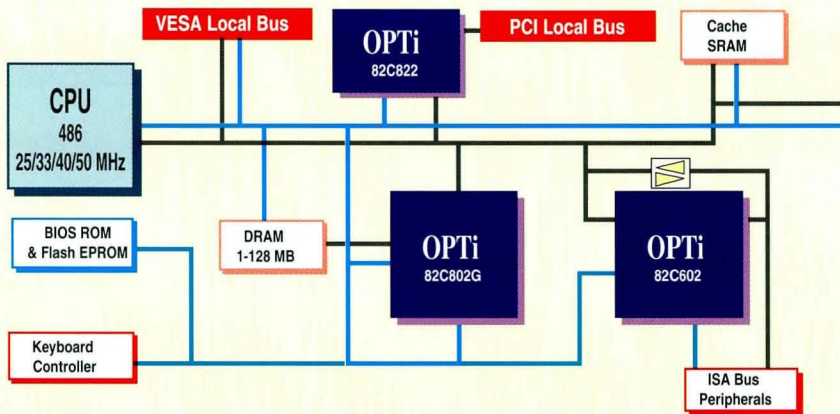
VL Riser  
with Two Masters



PCI Riser  
with Three Masters

System Evolution

OPTi's  
82C802G:  
Optimum  
power  
savings for a  
multitude of  
systems.



Sales Offices, Representatives and Distributors

California

OPTi, Inc.  
(408) 980-8178  
Brooks Technical Group  
(415) 960-3880  
Jones & McGeoy Sales  
(714) 724-8080  
Excel  
(619) 587-0545

Alabama, MS, NC, SC, GA

Concord Component Reps, Inc.  
(205) 772-8883  
(404) 416-9597  
(919) 676-3900

Arizona, New Mexico

Excel  
(602) 829-8820

Colorado, Utah

Excel  
(303) 649-1800

Florida

EIR  
(407) 660-9600

Illinois, Wisc.

Micro-Tex Inc.  
(708) 765-3000  
(414) 542-5352

Michigan

Jay Marketing Assoc.  
(313) 459-1200

Minn, IA, MO

Stan Clothier Company  
(612) 944-3456  
(319) 393-1576  
(314) 928-8078

New York, NJ, E.PA

S-J Associates, Inc.  
(516) 536-4242  
(609) 866-1234  
(703) 533-2233

Ohio

Lyons Corp  
(513) 278-0714  
(216) 659-9224  
(614) 895-1447

Oregon, WA, BC, CN

Electronic Component Sales  
(206) 232-9301  
(503) 245-2342

Texas

C-3 Sales  
(214) 733-0306  
(713) 379-5411  
(512) 338-1333

Australia

Braemac Pty., Ltd.  
2-564-1211

Brazil

Uniao Digital  
(11) 533-4121

France

Tekelec Airtron  
(1) 4623-2407

Hong Kong

DYNAX Electronics Ltd.  
2-481-0223  
Fax: 2-481-0826

Italy

Consystem SRI  
(039) 2-99-041977

Japan

Micro Summit  
(03) 3258-5531  
Fax: 3-3258-0433  
Dia Semicon Systems, Inc.  
(03) 3439-2700  
Fax: 3-3439-2701

Korea

FM Korea  
(02) 575-9720  
Fax: (02) 575-9732

Singapore

Westech Electronics Pte.  
743-6355  
Fax: 746-1396

Taiwan

OPTi  
(2) 325-8520  
Fax: (2) 325-6520  
ASEC International Corp.  
(2) 505-7025

United Kingdom

Manhattan Skyline  
(0628) 75851



OPTi, Inc.

2525 Walsh Avenue

Santa Clara, CA 95051, U.S.A.

Tel: (408) 980-8178

Fax: (408) 980-8860

24-hour Bulletin Board: (408) 980-9774