

DESKTOP



TRUE GREEN

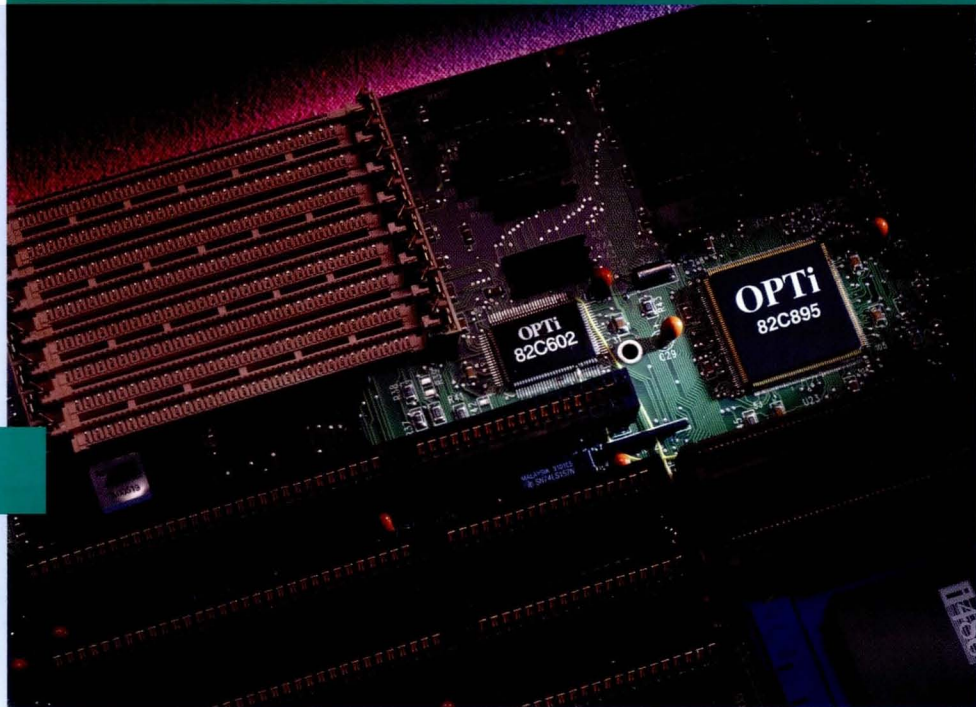
82C895 Single Chip TRUE GREEN PC Chipset

OPTi's 82C895 single chip GREEN PC chipset is the optimum solution to support systems bearing the Energy Star standard approval. The 82C895 provides support for all 486 type CPUs, including Intel486SLe/SX/DX/DX2/DX4™ and write-back CPUs, such as the P24T.

The 82C895 has a built-in activity timer which monitors interrupts, DMA, video, keyboard, floppy, and hard disk accesses. Coupled with the OPTi 82C602 data buffer chip, the GREEN PC chipset offers three power control ports that control such features as a clock synthesizer chip, monitor syncs, and STPCLK# to the CPU.

The 82C895 consists of a single chip device that acts as a controller for the processor, DRAM, L2 cache, VESA local bus, and ISA Bus peripherals.

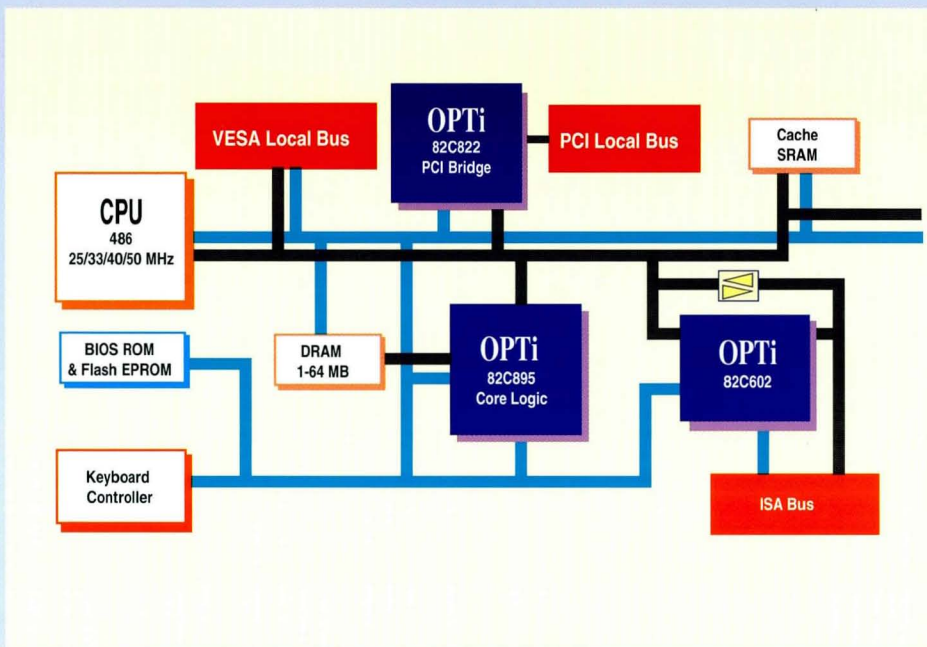
The 82C895 provides energy efficiency to users, while providing OEMs with flexibility by supporting both a full range of 486 processors. The 82C895 is the leading solution for cost-effective, GREEN 486 desktop systems.



Features/Benefits

- Supports L1 write-back cache
- Supports STPCLK# and SMI# on LSe CPUs
- Supports all 486 CPU's, including Intel SLe/SX/DX/DX2/DX4
- Monitor/timer for entering and exiting GREEN mode
- External power management input to allow external trigger to GREEN mode
- Two power saving modes: Auto_GREEN and SMI_GREEN
- Power management port to control external devices during GREEN mode when coupled with the 82C602
- Supports APM drivers to allow system to enter GREEN mode
- Single chip PC/AT solution: one 208 pin CMOS Plastic Flat Package (PQFP)
- IX clock source, supporting systems running from 16 MHz to 50 MHz
- Write-back, direct-mapped, back interleave cache with size selections: 64, 128, 256, and 512K
- Supports 2-1-1-1, 3-1-1-1, 2-2-2-2, and 3-2-2-2 cache burst cycles
- Support for two programmable non-cacheable regions
- Built-in TAG auto-invalidation circuitry
- Option for write-protected, cacheable Video and System BIOS
- Supports System Management Mode (SMM) for Green-PC Management
- Programmable cache and DRAM read/write cycles
- Supports 4 banks of 256K to 16M DRAMs for configurations up to 32 MB
- Support 3-2-2-2 DRAM burst cycles
- Shadow RAM option
- Hidden refresh and conventional refresh support
- VESA VL local bus support
- PCI bus support with 82C822 bridge chip
- Synchronous and Asynchronous AT Bus clock support





System Block Diagram

OPTi 486 Chipsets

- 82C895 - Single Chip TRUE GREEN-4 Banks DRAM
- 82C802G - Single Chip TRUE GREEN- 8 Banks DRAM
- 82C602 - GREEN Buffer with RTC
- 82C822 - PCI Bridge Chip
- 82C465MV - Single Chip Notebook
- 82C611 - VL-Bus IDE Controller
- 82C621 - PCI IDE Controller

OPTi's 82C895:
Optimum power
savings for 486
desktop
systems.

Sales Offices, Representatives and Distributors

California
OPTi, Inc.
(408) 980-8178
Brooks Technical Group
(415) 960-3880
Jones & McGeoy Sales
(714) 724-8080
Excel
(619) 587-0545

Alabama, MS, NC, SC, GA
Concord Component Reps., Inc.
(205) 772-8883
(404) 416-9597
(919) 676-3900

Arizona, New Mexico
Excel
(602) 829-8820

Colorado, Utah
Excel
(303) 649-1800

Florida
EIR
(407) 660-9600

Illinois, Wis.
Micro-Tex Inc.
(708) 765-3000
(414) 542-5352

Michigan
Jay Marketing Assoc.
(313) 459-1200

Minn, IA, MO
Stan Clothier Company
(612) 944-3456
(319) 393-1576
(314) 928-8078

New York, NJ, E.P.A.
S-J Associates, Inc.
(516) 536-4242
(609) 866-1234
(703) 533-2233

Ohio
Lyons Corp
(513) 278-0714
(216) 659-9224
(614) 895-1447

Oregon, WA, BC, CN
Electronic Component Sales
(206) 232-9301
(503) 245-2342

Australia
Braemac Pty. Ltd.
2-564-1211

Brazil
Uniao Digital
(11) 533-4121

France
Tekelec Airtronic
(1) 4623-2407

Hong Kong
DYNAX Electronics Ltd.
2-481-0223
Fax: 2-481-0826

Japan
Dia Semicon Systems, Inc.
(81) 45476-7410
Fax: 3-3439-2701

Korea
FM Korea
(02) 575-9720
Fax: (02) 575-9732

Singapore
WesTech Electronics Pte.
743-6355
Fax: 746-1396

Taiwan
OPTi
(2) 325-8520
Fax: (2) 325-6520
ASEC International Corp.
(2) 505-7025

All other regions, contact OPTi's
headquarters in Santa Clara,
CA (408) 980-8178.



OPTi Inc.
2525 Walsh Avenue
Santa Clara, CA 95051, U.S.A.
Tel: (408) 980-8178
Fax: (408) 980-8860
24-hour Bulletin Board: (408) 980-9774