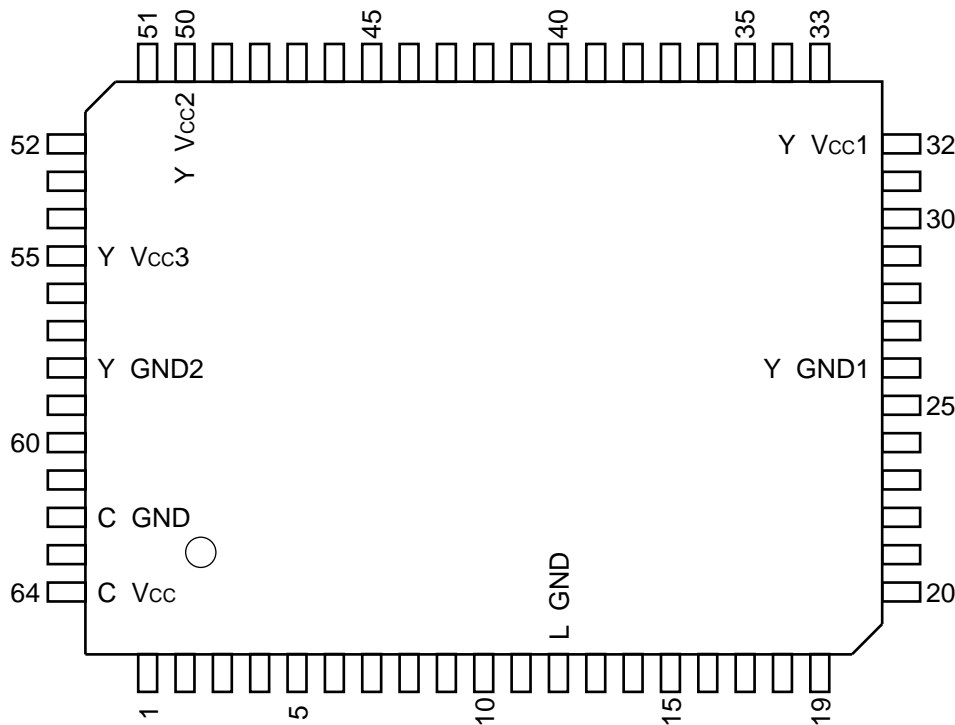

8-mm VCR BRIGHTNESS AND COLOR SIGNAL PROCESSOR
 - TOP VIEW -



(Vcc = +5 V)

PIN No.	I/O	SIGNAL	PIN No.	I/O	SIGNAL	PIN No.	I/O	SIGNAL
1	I	CF2	23	I	DEEMP	45	O	CCD2
2	I	DOC PULSE	24	I	CAR	46	—	VREF
3	I	PB C RF	25	O	DEV	47	O	CCD1
4	O	PB C OUT	26	—	Y GND1	48	—	IR1
5	O	REC C RF	27	O	TC1	49	I	REC V
6	I	FH/2	28	O	TC2	50	—	Y Vcc2
7	I	C EMPH	29	—	VG1	51	I	NC TC
8	O	BF	30	I	SHP IN	52	I	COMP
9	O	TRAP1	31	O	COMB	53	O	SHP OUT
10	I	TRAP2	32	—	Y Vcc1	54	I	EMP
11	O	VCO	33	O	TCS	55	—	Y Vcc3
12	—	L GND	34	O	VREG	56	O	PB V
13	I	X'TAL IN	35	I	TH	57	I	PB C IN
14	I	RF SWP	36	—	IR2	58	—	Y GND2
15	O	X'TAL OUT	37	I	Y-Y _D	59	O	REC Y RF
16	O	FSC	38	I	SHP CONT	60	I	PB Y RF
17	I	CS	39	I	C-C _D	61	O	APC ADJ
18	I	CK	40	I	AGC TC	62	—	C GND
19	I	SI	41	I	Y _D	63	O	CF1
20	O	CSYNC	42	I	LIM	64	—	C Vcc
21	O	LVcc	43	O	CCD3			
22	O	DEMOD	44	—	VG2			

57	PB C IN	PB C OUT	4
3	PB C RF	PB V	56
60	PB Y RF		
49	REC V	REC C RF	5
41	Y _D	REC Y RF	59
37	Y-Y _D	TC1	27
39	C-C _D	TC2	28
54	EMP	TCS	33
7	C EMPH		
30	SHP IN	CCD1	47
38	SHP CONT	CCD2	45
		CCD3	43
24	CAR		
35	TH	BF	8
10	TRAP2	CF1	63
1	CF2	COMB	31
23	DEEMP	FSC	16
2	DOC PULSE	DEV	25
42	LIM	SHP OUT	53
14	RF SWP	CSYNC	20
6	FH/2	DEMOD	22
40	AGC TC	TRAP1	9
51	NC TC	APC ADJ	61
52	COMP		
18	CK	LVcc	21
17	CS	VCO	11
19	SI	VREG	34
13	X'TAL IN	X'TAL OUT	15
29	VG1		
44	VG2		
46	VREF		
48	IR1		
36	IR2		

INPUT

AGC TC ; CONSTANT PIN (DOC AGC/CCD AGC : Y SYSTEM)
 C EMPH ; CHROMA EMPHASIS BANDPASS FILTER (NTSC BPF : 3.58 MHz/PAL BPF : 4.43 MHz)
 C-C_D ; COMB FILTER SIGNAL (FROM CXL1501) (REC/PB)
 CAR ; ADJUST Y FM MODULATION CARRIER/INPUT Y SIGNAL (REC)
 CF2 ; CF1 BANDPASS FILTER (NTSC : 4.32 MHz/PAL : 5.17 MHz)
 CK ; BUS DECODER/BUS CLOCK
 COMP ; NOISE CANCELLER (HPF EXTERNAL TIME CONSTANT)
 CS ; BUS DECODER
 DEEMP ; 22PIN DEMOD OUT DC-CUT AND INPUT
 DOC PULSE ; DROPOUT DETECTION
 EMP ; Y SIGNAL PRE-EMPHASIS
 FH/2 ; APC COMPENSATION ON/OFF CONTROL
 LIM ; DECOUPLING
 NC TC ; NOISE CANCELLER (HPL EXTERNAL TIME CONSTANT)
 PB C IN ; C SIGNAL FROM 4PIN
 PB C RF ; C REFERENCE
 PB Y RF ; Y REFERENCE
 REC V ; COMPOSITE VIDEO SIGNAL
 RF SWP ; RF SWITCH PULSE
 SHP CONT ; SHARPNESS CONTROL (PB)
 SHP IN ; SHARPNESS (REC/PB)
 SI ; BUS DECODER/BUS SERIAL INPUT SIGNAL
 TH ; THROUGH SIGNAL (FROM CXL1501) (REC/PB)
 TRAP2 ; TRAP1 PASSES THROUGH EXTERNAL TRAP (PB)
 X'TAL IN ; OSC STANDARD (fscn : 3.58 MHz/fscp : 4.43 MHz)
 Y_D ; CCD 1H DELAY (FROM CXL1501) (REC/PB)
 Y-Y_D ; COMB FILTER SIGNAL (FROM CXL1501) (REC/PB)

OUTPUT

APC ADJ ; CHECK PIN (REC : AFC ERROR VOLTAGE/PB : APC CALIBRATION)
 BF ; BURST FLAG
 CCD1 ; CCD 1H DELAY (TO CXL1501) (CCD3 NEGATIVE PHASE) (REC)
 CCD2 ; CCD 1H DELAY (TO CXL1501) (CCD3 NEGATIVE PHASE) (REC/PB)
 CCD3 ; CCD 1H DELAY (TO CXL1501) (REC/PB)
 CF1 ; CARRIER CONVERTER
 COMB ; Y SIGNAL PROCESSED COMB FILTER
 CSYNC ; COMPOSITE SYNC SIGNAL
 DEMOD ; FM-DEMODULATED Y SIGNAL (PB)
 DEV ; ADJUST Y FM MODULATION DEVIATION/Y EMPHASIS (REC)
 FSC ; CLOCK FREQUENCY (NTSC : 4fscn/PAL : 3fscn)
 LV_{CC} ; V_{CC} PIN (LOGIC CIRCUIT BLOCK)
 PB C OUT ; C SIGNAL FREQUENCY-CONVERTED/BURST-DE-EMPHASIZED
 PB V ; PROCESSING Y SIGNAL/C VIDEO
 REC C RF ; C SIGNAL (BURST-EMPHASIZED/CHROMA-EMPHASIZED/FREQUENCY-CONVERTED)
 REC Y RF ; FM-MODULATED Y SIGNAL
 SHP OUT ; SHARPNESS
 TC1, TC2 ; MAIN EMPHASIS (OR DE-EMPHASIS TIME CONSTANT)
 TCS ; SUB-EMPHASIS (OR DE-EMPHASIS TIME CONSTANT)
 TRAP1 ; FREQUENCY-CONVERTED CHROMA SIGNAL (NTSC : 5.07 MHz/PAL : 5.90 MHz) (PB)
 VCO ; 378 f_HN (NTSC)
 VREG ; 4.2 V REGULATOR
 X'TAL OUT ; OSC STANDARD (fscn : 3.58 MHz/fscp : 4.43 MHz)

OHTER

IR1, IR2 ; EXTERNAL REFERENCE CURRENT
 VG1, VG2 ; VIRTUAL GND
 VREF ; INTERNAL REFERENCE VOLTAGE SOURCE

