

900, 900/L, 900/H CPU Core Different Points

There are 3 type CPU core : ① 900, ② 900/L, ③ 900/H in TLCS-900 series and they are different from following points.

Different Point \ CPU	① 900	② 900/L	③ 900/H
CPU Operating mode	System/Normal mode	System mode	System mode
CPU Register mode	After reset, the mode is set to MIN (minimum) mode. The MAX mode is set by a 'MAX' instruction.	After reset, the mode is set to MAX (maximum) mode. The MIN mode is set by a 'MIN' instruction.	MAX (maximum) mode only.
Interrupt vector formula	Restart formula	Vector formula	Vector formula
Normal Stack Pointer XNSP	exist	not exist	not exist
Interrupt Nesting Counter INTNEST	not exist	exist	exist
Operating Voltage	5 V \pm 10 %	2.7~5.5 V	5 V \pm 10 %

Figure 1 CPU Different Points

1. OUTLINE

The TLCS-900 series has an original Toshiba high-performance 16-bit CPU. Combining the CPU with various I/O function blocks (such as timers, serial I/Os, ADs) creates broad possibilities in application fields.

The TLCS-900 CPU, being 16-bit CPU, has a 32-bit/16-bit register bank configuration, therefore it is suitable as an embedded controller.

The TLCS-900 CPU features are as follows :

(1) TLCS-90 extended architecture

- Upward compatibility on mnemonic and register set levels

(2) General-purpose registers

- All 8 registers usable as accumulator

(3) Register bank system

- Minimum mode : eight 16-bit register banks
- Maximum mode : four 32-bit register banks

(4) 16M-byte linear address space ; 9 types addressing modes

(5) Dynamic bus sizing system

- Can consist 8- / 16-bit external data bus together

(6) High reliability

- Supporting system mode and normal mode (900)
- Supporting only system mode (900/L, 900/H)

(7) Orthogonal instruction sets

- 8-/16-/32-bit data transfer/arithmetic instructions
- 16-bit multiplication/division
16 × 16 to 32-bits (signed/unsigned)
32 ÷ 16 to 16 bits ... remainder 16-bits (unsigned/signed)
- Bit processing including bit arithmetic
- Supporting instruction for C compiler
- Filter calculations : multiplication-addition arithmetic, modulo increment instruction

(8) High-speed processing

- Minimum instruction execution time: 200 ns at 20 MHz
- Pipeline system with 4-byte instruction queue buffer
- 16-bit ALU

2. CPU OPERATING MODES

The 900 has two types of operating modes : system and normal. These modes are switched by instructions or interrupts. In system mode, there are no restrictions on using instructions or registers.

The CPU resources effective in system mode are as follows :

- 1) General-purpose registers
 - Four 16-bit general-purpose registers × 8 banks (minimum mode)
or
Four 32-bit general-purpose registers × 4 banks (maximum mode)
 - Four 32-bit general-purpose registers (including system stack pointer : XSP)
- 2) Status register (SR) : including system mode flag
- 3) Program counter (PC): 32 bits for maximum mode, 16 bits for minimum mode
- 4) Control register: parameter register for high-speed micro DMA, etc.
- 5) Normal stack pointer: accessible as control register (XNSP)
- 6) All CPU instructions
- 7) All built-in I/O registers
- 8) All built-in memories

In normal mode, the ineffective CPU resources are as follows :

- 1) Privileged instructions (PUSH SR, POP SR, EI, DI, RETI, HALT, LDC, etc.)
- 2) Controlling status register (SR) flags
 - <SYSM>, <IFF0~2>, <MAX>
- 3) Control register (CR) : parameter registers for high-speed micro DMA, etc.
- 4) Built-in I/O registers (depending on products)

Product name	Built-in I/O registers which cannot be accessed in normal mode
96C141B 96C041B 96CM40, 96PM40 96C031Z	Chip select / wait controller (BnCS registers) n : channel number

5) Built-in memories (depending on products)

Product name	Memories which cannot be accessed in normal mode
96C141B 96C041B 96CM40, 96PM40 96C031Z	Memory blocks whose built-in chip select / wait controller's BnSYS bits are set to 1 (memory space set to system mode) n : channel number

The stack pointers (SP) are provided in both system mode and normal mode, named SYSTEM STACK POINTER and NORMAL STACK POINTER. These pointers are automatically switched when the CPU mode is changed by the NORMAL instruction or an interrupt. In system mode, the normal stack pointer (XNSP) is handled as a control register, and can be accessed by the LDC instruction.

The CPU enters system mode by system reset, as well as by interrupt. The CPU changes from system to normal mode by the NORMAL instruction. The NORMAL instruction resets the <SYSM> bit of the status register (SR) to "0", and sets the CPU to normal mode. Figure (1)-1 shows the mode transition figure.

This makes it possible for an OS-less system to configure software by using system mode only.

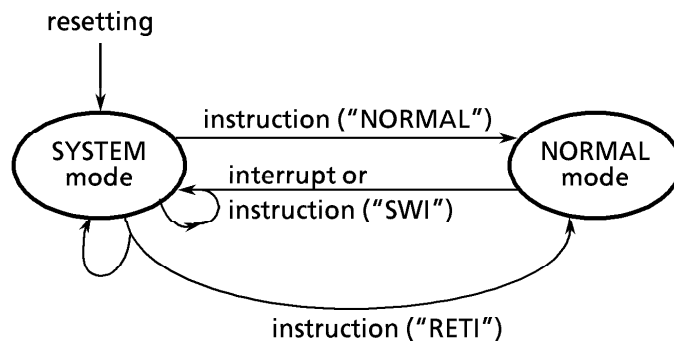


Figure (1)-1 The Mode Transition Figure

3. REGISTERS

3.1 Register Structure

Figure 3.1 (1) and (2) illustrate the format of registers. The TLCS-900 has two register modes.

① Minimum mode····· 64K-byte program area / 16M-byte data area

Four 16-bit general-purpose registers × 8 banks

+

Four 32-bit general-purpose registers

+

16-bit program counter

+

Status register

② Maximum mode····· 16M-byte program area / 16M-byte data area

Four 32-bit general-purpose registers × 4 banks

+

Four 32-bit general-purpose registers

+

32-bit program counter

+

Status register

Register mode changing

The <MAX> bit in status register (SR) is initialized to “0” and set to Minimum mode by resetting.

The “MAX” instruction changes to Maximum mode. The 900 does not have a “MIN” instruction.

Stack Pointer

The stack pointer (SP) is provided for each operating mode (System and Normal mode). The system stack pointer (XSP) is set to 100H by resetting.

But the Normal stack pointer (XNSP) is not changed by resetting.

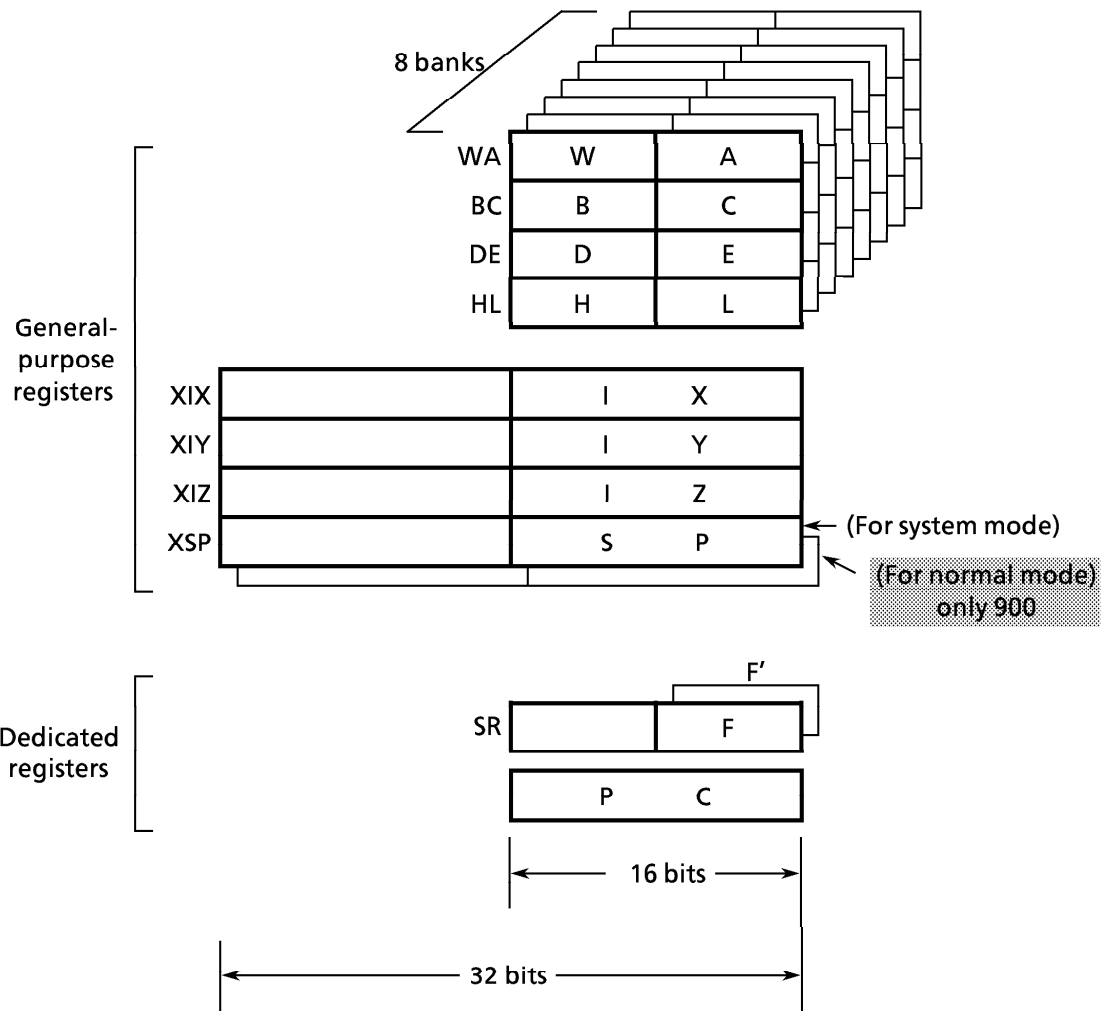


Figure 3.1 (1) Register Format (minimum mode: 64K-byte program area)

Note : The data memory area is 16M-byte.

The whole 16M-byte area can be accessed by using the registers (XIX, XIY, XIZ, XSP) or absolute addressing mode.

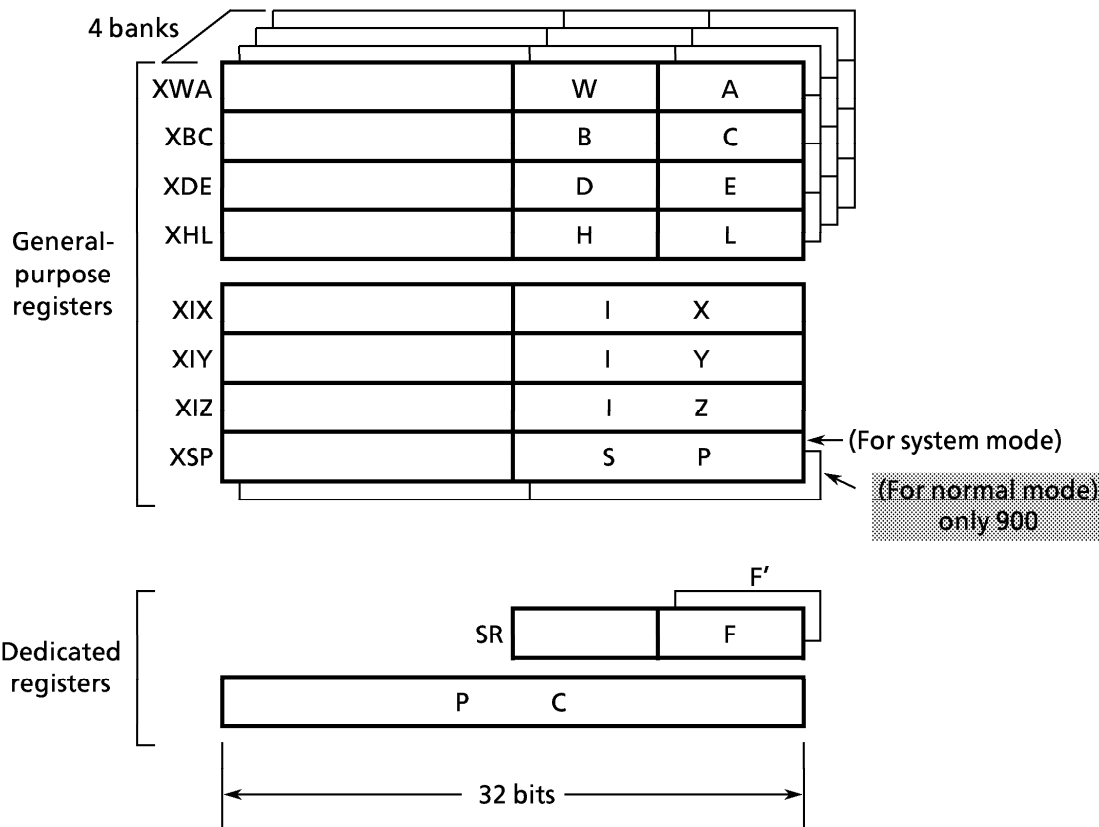


Figure 3.1 (2) Register Format (maximum mode: 16M-byte program area)

To change from maximum to minimum mode or from minimum to maximum mode, there is no dedicated instruction; instead, the RETI or POP SR instruction changes the <MAX> bit of the status register (SR).

When the mode changes from minimum to maximum, the 16-bit general-purpose registers (WA, BC, DE, and HL) are extended to 32-bit general-purpose registers (XWA, XBC, XDE, and XHL). The value of the upper 16 bits (that is, bit 16 to bit 31) are undefined. Those registers need to be initialized before use. Changing the mode from minimum to maximum also extends the program counter to 32 bits which automatically writes "0" to the upper 16 bits.

So doing ensures program continuity.

3.2 Register Details

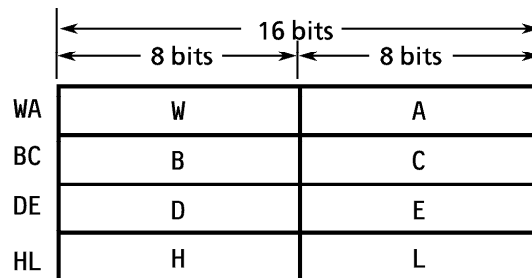
3.2.1 General-purpose bank registers

As explained in the previous section, the TLCS-900 has two register formats. Which of the register formats is used depends on whether the mode is minimum or maximum. In either way, the register sets and registers in each bank are used exactly the same.

(1) General-purpose Bank Registers in Minimum Mode

In minimum mode, the following four 16-bit general-purpose registers consisting of 8 banks can be used. The register format in a bank is shown below.

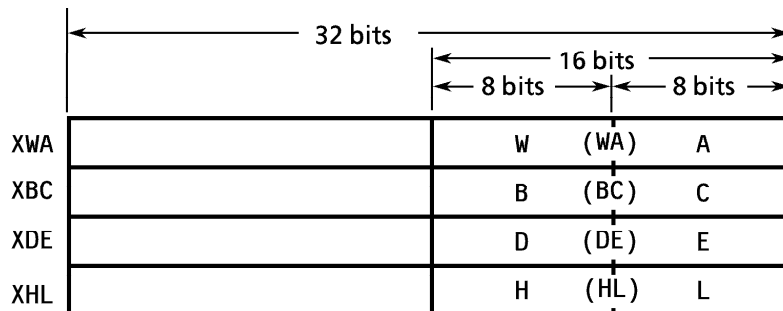
Four 16-bit registers (WA, BC, DE, and HL) are general-purpose registers and can be used as accumulators, index registers, and displacement registers. They can also be used as 8-bit registers (W, A, B, C, D, E, H, and L) to function for example as accumulators.



(2) General-purpose Bank Registers in Maximum Mode

In maximum mode, the following four 32-bit general-purpose registers consisting of 4 banks can be used. The register format in a bank is shown below.

Four 32-bit registers (XWA, XBC, XDE, and XHL) are general-purpose registers and can be used as an accumulators and index registers. They can also be used as 16-bit registers (WA, BC, DE, and HL), in which case, the lower 16 bits of the 32-bit registers are assigned.



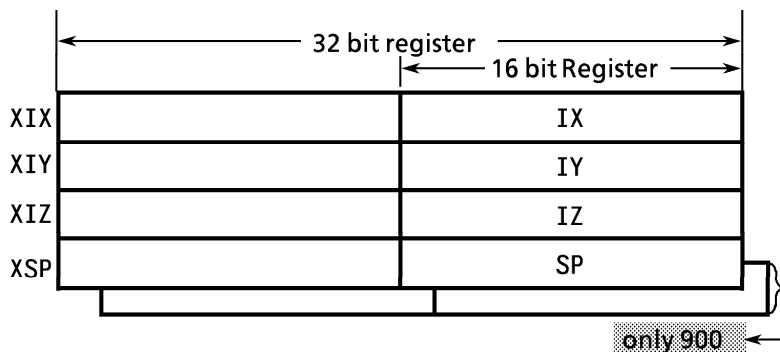
Note: Round brackets () signify 16-bit registers.

16-bit registers can be used as accumulators, index registers in index addressing mode, and displacement registers. They can also be used as two 8-bit general-purpose registers (W, A, B, C, D, E, H, and L) to function for example as accumulators.

3.2.2 32-bit General-purpose Registers

The TLCS-900 has four 32-bit general-purpose registers (XIX, XIY, XIZ, and XSP). They are fixed, independent of maximum or minimum mode. The register format is shown below.

These registers can also be used as accumulators, index registers, and displacement registers. They can be used either as 16-bit, or 8-bit registers. Names when registers are used as 8-bit registers are listed later.



Stack Pointer

The XSP register is utilized for stack pointers. This register is provided for both SYSTEM and NORMAL mode. Stack pointer for SYSTEM mode is called SYSTEM STACK POINTER, and for NORMAL mode is called NORMAL STACK POINTER. NORMAL and SYSTEM stack pointer are independent and switched automatically by change of the CPU operating mode. In both modes, they are referred to as XSP. The system stack pointer (XSP) is not able to be accessed from normal mode. The normal stack pointer (XSP) is able to be accessed from system mode as one of control registers (CR). In this case, it is referred to as XNSP. The XNSP can be accessed using the (privileged) LDC instruction.

When an interrupt occurs in the normal mode, the CPU enters system mode. At the same time, the normal stack pointer changes automatically to the system stack pointer (XSP). Then the previous normal stack pointer can be changed as a control register. After return using the RETI instruction, the mode and the stack pointers become normal.

After reset, the system stack pointer is initialized to 100H; the normal stack pointer remains undefined. Thus, when changing to normal mode it is necessary to initialize XSP.

3.2.3 Status Register (SR)

The status register contains flags indicating the status (operating mode, register format, etc.) of the CPU and operation results. This register consists of two parts. The upper byte of the status register (bits 8 to 15) indicates the CPU status. The lower byte (bits 0 to 7) are referred to as the flag register (F). This indicates the status of the operation result. The TLCS-900 series has two flag registers (F and F'). They can be switched using the EX instruction.

(1) Upper Byte of Status Register

15	14	13	12	11	10	9	8
SYSM	IFF2	IFF1	IFF0	MAX	RFP2	RFP1	RFP0

① SYSM (SYSTEM Mode)

Indicates the CPU operating mode, system or normal. In system mode, all instructions can be executed. In normal mode, privileged instructions cannot be executed. (If forced, a privilege violation interrupt will occur.)

Initialized to 1 (system mode) by reset. To change to normal mode, use the "NORMAL" instruction. An interrupt automatically causes the mode to change from normal to system.

0	Normal mode
1	System mode

② IFF2 to IFF0 (Interrupt mask Flip-Flop2 to 0)

Mask registers with interrupt levels from 1 to 7. Level 7 has the highest priority.

Initialized to 111 by reset.

000	Enables interrupts with level 1 or higher.	← Same
001	Enables interrupts with level 1 or higher.	
010	Enables interrupts with level 2 or higher.	
011	Enables interrupts with level 3 or higher.	
100	Enables interrupts with level 4 or higher.	
101	Enables interrupts with level 5 or higher.	
110	Enables interrupts with level 6 or higher.	
111	Enables interrupts with level 7 only (non-maskable interrupt).	

Any value can be set using the EI instruction.

When an interrupt is received, the mask register sets a value higher by 1 than the interrupt level received. When an interrupt with level 7 is received, 111 is set. Unlike with the TLCS-90 series, the EI instruction becomes effective immediately after execution.

③ MAX (MINimum / MAXimum)

Bit used to specify the register mode which determines the sizes of the register banks and the program counter.

0	Minimum mode (Initialized by reset)
1	Maximum mode

If the program size exceeds 64K bytes, use the “MAX” instruction to set this register to “1” so that register mode becomes maximum mode.

Initialized to “0” (minimum mode) by reset.

④ RFP2 to RFP0 (Register File Pointer2 to 0)

Indicates the number of register file (register bank) currently being used. Initialized to 000 by reset.

The values in these registers can be operated on using the following three instructions. RFP2 is fixed to 0 in maximum mode. It remains 0 even if an attempt to change it to 1 using following instructions.

- LDF imm ; RFP←imm (0 to 7) (200 ns at 20 MHz)
- INCF ; RFP←RFP + 1 (200 ns at 20 MHz)
- DECF ; RFP←RFP - 1 (200 ns at 20 MHz)

(2) Flag Register, F

7	6	5	4	3	2	1	0	
S	Z	"0"	H	"0"	V	N	C	: R/W

① S (Sign flag)

"1" is set when the operation result is negative, "0" when positive. (The value of the most significant bit of the operation result is copied.)

② Z (Zero flag)

"1" is set when the operation result is zero, otherwise "0".

③ H (Half carry flag)

"1" is set when a carry or borrow from bit 3 to bit 4 occurs as a result of the operation, otherwise "0". With a 32-bit operation instruction, an undefined value is set.

④ V (Parity/over-flow flag)

Indicates either parity or overflow, depending on the operation type.

Parity (P): "0" is set when the number of bits set to 1 is odd, "1" when even.

An undefined value is set with a 32-bit operation instruction.

Overflow (V): "0" is set if no overflow, if overflow "1".

⑤ N (Negative)

ADD/SUB flag

"0" is set after an addition instruction such as ADD is executed, "1" after a subtraction instruction such as SUB.

Used when executing the DAA (decimal addition adjust accumulator) instruction.

⑥ C (Carry flag)

"1" is set when a carry or borrow occurs, otherwise "0".

Read and write process of status register

	900
Read from bits 0 to 15	① PUSH SR (Privileged instruction) POP dst
Write to bits 0 to 15	① POP SR (Privileged instruction)
Only bit 15 <SYSM>	① NORMAL (Privileged instruction) "0" is written. ② Interrupt "1" is written.
Only bits 14 to 12 <IFF2 : 0>	① EI num (Privileged instruction) A value of "num" is written.
Only bit 11 <MAX>	① MAX (Privileged instruction) "1" is written.
Only bits 10 to 8 <RFP2 : 0>	① LDF imm ② INCF ③ DECF
Only bits 7 to 0	① PUSH F/POP F ② EX F, F' ③ A flag is set indirectly by executing arithmetic instructions etc.

3.2.4 Program Counter (PC)

The program counter is a pointer indicating the memory address to be executed next. The program counter bit length depends on whether the register format is in minimum or maximum mode.

In minimum mode, the program counter consists of 16 bits, and a maximum program area of 64K bytes (from addresses 000000H to 00FFFFH) can be accessed.

In maximum mode, the program counter consists of 32 bits. The size of the program area depends on the number of the address pins that the product has. With 24 address pins (A0 to A23), a maximum program area of 16M bytes can be accessed as a linear address space. In this case, the upper 8 bits of the program counter (bits 24 to 31) are ignored.

When the register format changes from minimum to maximum mode, the upper word of the program counter (bits 16 to 31) is extended so that the program counter becomes 32 bits long. This automatically writes "0" to the upper word of the program counter. So doing ensures program continuity.

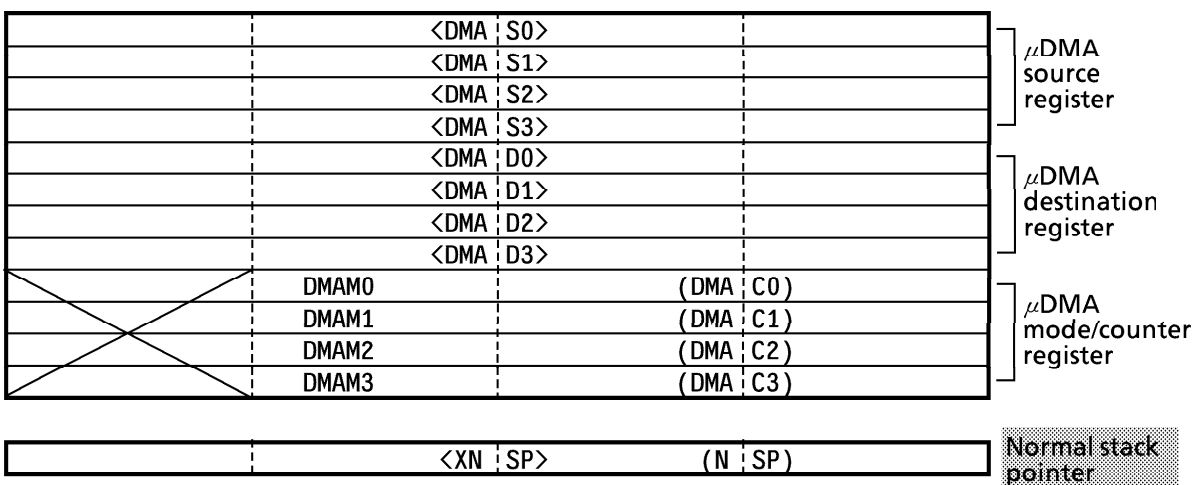
PC after reset

The program counter is initialized to 8000H by reset. Then, the 900 reads program after 8000H and executed.

3.2.5 Control registers (CR)

The control registers consist of registers used to control micro DMA operation and a normal stack pointer, which can be accessed in system mode. Control registers can be accessed by using the LDC instruction (privileged instruction for 900), which can only be used in system mode.

Control registers are illustrated below.



- () : Word register name (16 bits)
- < > : Long word register name (32 bits)

For micro DMA, refer to “Chapter 4 TLCS-900 LSI Devices”.

3.3 Register Bank Switching

Register banks are classified into the following three types.

- Current bank registers
- Previous bank registers
- Absolute bank registers

The current bank is indicated by the register file pointer, <RFP>, (status register bits 8 to 10). The registers in the current bank are used as general-purpose registers, as described in the previous section. By changing the contents of the <RFP>, another register bank becomes the current register bank.

The previous bank is indicated by the value obtained by subtracting 1 from the <RFP>. For example, if the current bank is bank 3, bank 2 is the previous bank. The names of registers in the previous bank are indicated with a dash (WA', BC', DE', HL'). The EX instruction (EX A,A') is used to switch between current and previous banks.

All bank registers, including the current and previous ones, have a numerical value (absolute bank number) to indicate the bank. With a register name which includes a numerical value such as RW0, RA0, etc., all bank registers can be used. These registers (that is, all registers) are called absolute bank registers.

The TLCS-900 series CPU is designed to perform optimally when the current bank registers are operated as the working registers. In other words, if the CPU uses other bank registers, its performance degrades somewhat. In order to obtain maximum CPU efficiency, the TLCS-900 series has a function which easily switches register banks.

The bank switching function provides the following advantages:

- Optimum CPU operating efficiency
- Reduced programming size (Object codes)
- Higher response speed and reduced programming size when used as a context switch for an interrupt service routine.

Bank switching is performed by the instructions listed below.

- LDF imm : Sets the contents of the immediate value in <RFP>. imm: 0 to 7
- INCF : Increments <RFP> by 1.
- DECF : Decrements <RFP> by 1.

In minimum mode, the immediate values used by the LDF instruction are from 0 to 7, in maximum mode 0 to 3. If a carry or borrow occurs when the INCF or DECF instruction is executed, it is ignored. The value of the <RFP> rotates. For example, if the INCF instruction is executed with bank 7, the result is bank 0. If the DECF instruction is executed with bank 0, the result is bank 7. Note that careless execution of the INCF or DECF instruction may destroy the contents of the register bank.

- Example of Register Bank Usage

The TLCS-900 series registers are formatted in banks. Banks can be used for processing objectives or interrupt levels. Two examples are given below.

<Example 1> When assigning register banks to interrupt processing routines.

Register bank 0 = Used for the main program and interrupt processing other than that shown below.

Register bank 1 = Used for processing INT0 .

Register bank 2 = Used for processing timer 0.

Register bank 3 = Used for processing timer 1.

Register bank 4 = Used for processing A/D converter.

Register bank 5 = Used for processing serial I/O. (Data send)

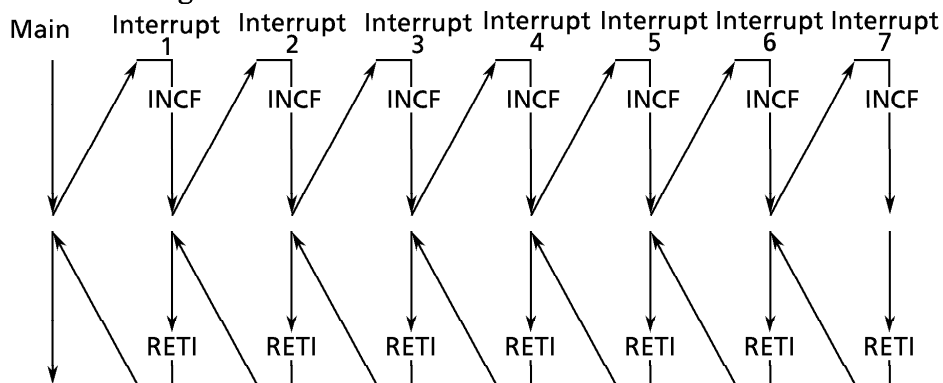
Register bank 6 = Used for processing serial I/O. (Data receive)

Register bank 7 = Used for processing $\overline{\text{NMI}}$.

For example, if a timer 1 interrupt occurs during main program execution, processing jumps to a subroutine as follows. PUSH/POP processing for the register is unnecessary.

```
LDF 3    ; Sets register bank to 3. 0.2  $\mu$ s (at 20 MHz)
:
:
RETI     ; Returns to previous status including <RFP>.
          1.2  $\mu$ s (at 20 MHz)
```

<Example 2> When assigning register banks to their appropriate interrupt level nesting.



Note 1 : In the above example, when interrupt nesting exceeds the number of register banks (8), the <RFP> becomes 000 and the contents of register bank 0 are destroyed. However, interrupt levels are usually from 1 to 7, so in most cases nesting will not exceed 8 levels. Unless, that is, multiple NMIs occur. If there is any chance of multiple NMIs occurring, do not use the INCF instruction in the NMI processing routine.

Note 2 : The INCF instruction is used to execute $\langle \text{RFP} \rangle \leftarrow \langle \text{RFP} \rangle + 1$.
0.2 μ s (at 20 MHz)

3.4 Accessing General-purpose Registers

The register access code is formatted in a varied code length on byte basis. The current bank registers can be accessed by the shortest code length. All general-purpose registers can be accessed by an instruction code which is 1 byte longer. General-purpose registers are as follows.

① General-purpose registers in current bank

(Minimum mode)

		W	(W	A)	A
		B	(B	C)	C
		D	(D	E)	E
		H	(H	L)	L

(Maximum mode)

QW	(Q	WA)	QA	<X	WA	>	W	(W	A)	A
QB	(Q	BC)	QC	<X	BC	>	B	(B	C)	C
QD	(Q	DE)	QE	<X	DE	>	D	(D	E)	E
QH	(Q	HL)	QL	<X	HL	>	H	(H	L)	L

() : Word register name (16 bits)
 < > : Long word register name (32 bits)

② General-purpose registers in previous bank

(Minimum mode)

		W'	(W	A')	A'
		B'	(B	C')	C'
		D'	(D	E')	E'
		H'	(H	L')	L'

(Maximum mode)

QW'	(Q	WA')	QA'	<X	WA'	>	W'	(W	A')	A'
QB'	(Q	BC')	QC'	<X	BC'	>	B'	(B	C')	C'
QD'	(Q	DE')	QE'	<X	DE'	>	D'	(D	E')	E'
QH'	(Q	HL')	QL'	<X	HL'	>	H'	(H	L')	L'

③ 32-bit general-purpose registers

(Both minimum and maximum modes)

QIXH	(Q	IX)	QIXL	<X	IX	>	IXH	(I	X)	IXL
QIYH	(Q	IY)	QIYL	<X	IY	>	IYH	(I	Y)	IYL
QIZH	(Q	IZ)	QIZL	<X	IZ	>	IZH	(I	Z)	IZL
QSPH	(Q	SP)	QSPL	<X	SP	>	SPH	(S	P)	SPL

④ Absolute bank registers

(Minimum mode)

		RW0 (RWA 0)	RA0	Bank0
		RB0 (RBC 0)	RC0	
		RD0 (RDE 0)	RE0	
		RH0 (RHL 0)	RL0	
		RW1 (RWA 1)	RA1	Bank1
		RB1 (RBC 1)	RC1	
		RD1 (RDE 1)	RE1	
		RH1 (RHL 1)	RL1	
		RW2 (RWA 2)	RA2	Bank2
		RB2 (RBC 2)	RC2	
		RD2 (RDE 2)	RE2	
		RH2 (RHL 2)	RL2	
		RW3 (RWA 3)	RA3	Bank3
		RB3 (RBC 3)	RC3	
		RD3 (RDE 3)	RE3	
		RH3 (RHL 3)	RL3	
		RW4 (RWA 4)	RA4	Bank4
		RB4 (RBC 4)	RC4	
		RD4 (RDE 4)	RE4	
		RH4 (RHL 4)	RL4	
		RW5 (RWA 5)	RA5	Bank5
		RB5 (RBC 5)	RC5	
		RD5 (RDE 5)	RE5	
		RH5 (RHL 5)	RL5	
		RW6 (RWA 6)	RA6	Bank6
		RB6 (RBC 6)	RC6	
		RD6 (RDE 6)	RE6	
		RH6 (RHL 6)	RL6	
		RW7 (RWA 7)	RA7	Bank7
		RB7 (RBC 7)	RC7	
		RD7 (RDE 7)	RE7	
		RH7 (RHL 7)	RL7	

(Maximum mode)

QW0 (QWA 0)	QA0 <XWA 0>	RW0 (RWA 0)	RA0	Bank0
QB0 (QBC 0)	QC0 <XBC 0>	RB0 (RBC 0)	RC0	
QD0 (QDE 0)	QE0 <XDE 0>	RD0 (RDE 0)	RE0	
QH0 (QHL 0)	QL0 <XHL 0>	RH0 (RHL 0)	RL0	
QW1 (QWA 1)	QA1 <XWA 1>	RW1 (RWA 1)	RA1	Bank1
QB1 (QBC 1)	QC1 <XBC 1>	RB1 (RBC 1)	RC1	
QD1 (QDE 1)	QE1 <XDE 1>	RD1 (RDE 1)	RE1	
QH1 (QHL 1)	QL1 <XHL 1>	RH1 (RHL 1)	RL1	
QW2 (QWA 2)	QA2 <XWA 2>	RW2 (RWA 2)	RA2	Bank2
QB2 (QBC 2)	QC2 <XBC 2>	RB2 (RBC 2)	RC2	
QD2 (QDE 2)	QE2 <XDE 2>	RD2 (RDE 2)	RE2	
QH2 (QHL 2)	QL2 <XHL 2>	RH2 (RHL 2)	RL2	
QW3 (QWA 3)	QA3 <XWA 3>	RW3 (RWA 3)	RA3	Bank3
QB3 (QBC 3)	QC3 <XBC 3>	RB3 (RBC 3)	RC3	
QD3 (QDE 3)	QE3 <XDE 3>	RD3 (RDE 3)	RE3	
QH3 (QHL 3)	QL3 <XHL 3>	RH3 (RHL 3)	RL3	

() : Word register name (16 bits)
 < > : Long word register name (32 bits)

4. ADDRESSING MODES

The TLCS-900 series has nine addressing modes. These are combined with most instructions to improve CPU processing capabilities.

TLCS-900 series addressing modes are listed below. They cover the entire TLCS-90 addressing modes.

No.	Addressing mode	Description
1.	Register	reg8 reg16 reg32
2.	Immediate	n8 n16 n32
3.	Register indirect	(reg)
4.	Register indirect pre-decrement	(- reg)
5.	Register indirect post-increment	(reg +)
6.	Index	(reg + d8) (reg + d16)
7.	Register index	(reg + reg8) (reg + reg16)
8.	Absolute (Direct addressing mode)	(n8) (n16) (n24)
9.	Relative	(PC + d8) (PC + d16)

reg 8 : All 8-bit registers such as W, A, B, C, D, E, H, L, etc.

reg 16 : All 16-bit registers such as WA, BC, DE, HL, IX, IY, IZ, SP, etc.

reg 32 : All 32-bit registers such as XWA, WBC, XDE, XHL, XIX, XIY, XIZ, XSP, etc.

reg : All 32-bit registers such as XWA, WBC, XDE, XHL, XIX, XIY, XIZ, XSP, etc.

(Maximum mode)

All 16-bit bank registers such as WA, BC, DE, HL, etc. and XIX, XIY, XIZ, and XSP.

(Minimum mode)

d8 : 8-bit displacement (-80H to +7FH)

d16 : 16-bit displacement (-8000H to +7FFFH)

n8 : 8-bit constant (00H to FFH)

n16 : 16-bit constant (0000H to FFFFH)

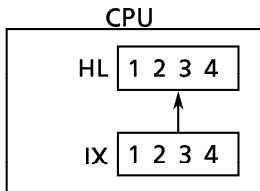
n32 : 32-bit constant (00000000H to FFFFFFFFH)

- Note 1 : Relative addressing mode can only be used with the following instructions:
LDAR, JR, JRL, DJNZ, and CALR
- Note 2 : In minimum mode, register bank blocks (current bank registers and previous bank registers, and bank 0 to 7 registers) consist of 16 bits. When these 16-bit registers are used for addressing, the CPU extends bits 16 to 31 to 0000H for address calculations.

(1) Register Addressing Mode

In this mode, the operand is the specified register.

Example: LD HL,IX

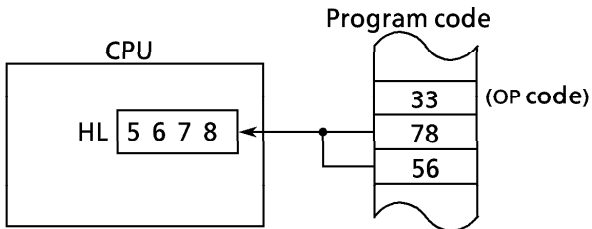


The IX register contents, 1234H, are loaded to the HL register.

(2) Immediate Addressing Mode

In this mode, the operand is in the instruction code.

Example: LD HL,5678H

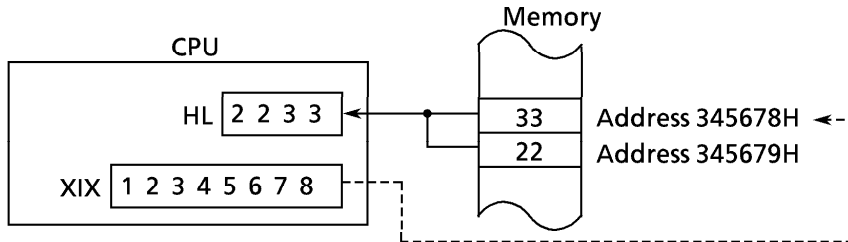


The immediate data, 5678H, is loaded to the HL register.

(3) Register Indirect Addressing Mode

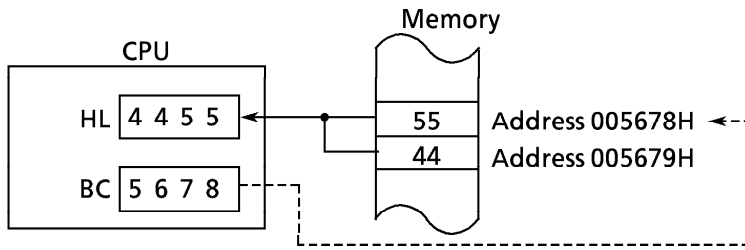
In this mode, the operand is the memory address specified by the contents of the register.

Example 1: LD, HL, (XIX) ... in both minimum and maximum modes



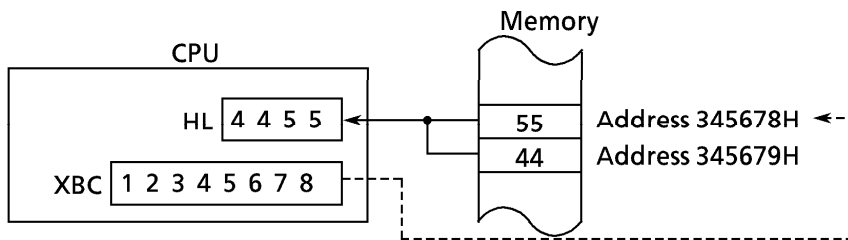
Memory data, 2233H, at address 345678H is loaded to the HL register.

Example 2: LD, HL, (BC) ... in minimum mode



In minimum mode, if a bank register (WA, BC, DE, or HL) is used for addressing, address bits 16 to 23 are set to 00H.

Example 3: LD HL,(XBC) ... in maximum mode

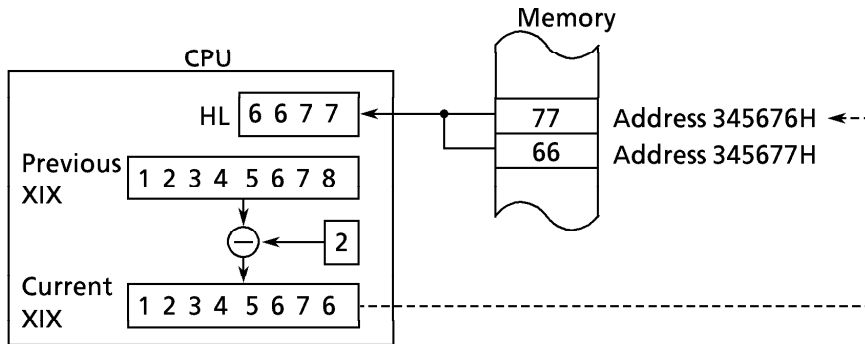


In maximum mode, if a bank register (XWA, XBC, XDE, or XHL) is used for addressing, the values of bits 0 to 23 are output to the address bus.

(4) Register Indirect Pre-decrement Addressing Mode

In this mode, the contents of the register is decremented by the pre-decrement values. In this case, the operand is the memory address specified by the decremented register.

Example 1: LD HL, (-XIX) ... in both minimum and maximum modes



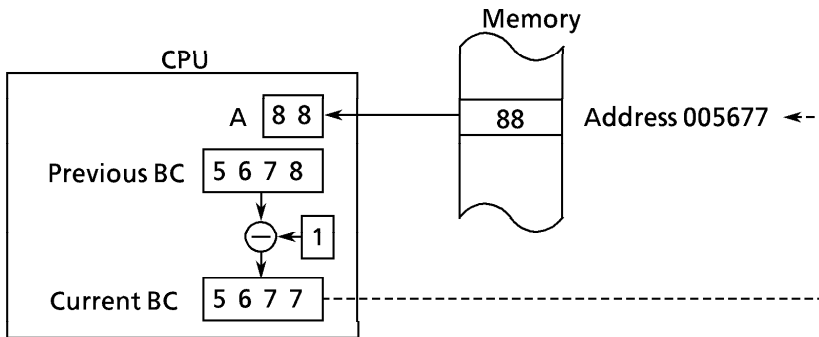
The pre-decrement values are as follows:

When the size of the operand is one byte (8 bits) : -1

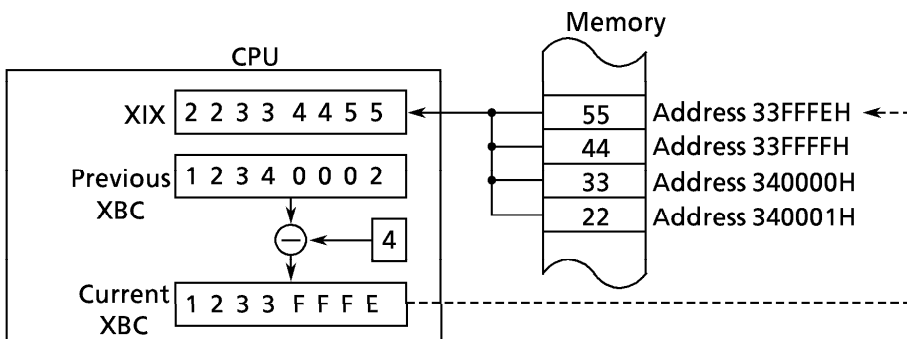
When the size of the operand is one word (16 bits) : -2

When the size of the operand is one long word (32 bits) : -4

Example 2: LD A,(-BC) ... in minimum mode



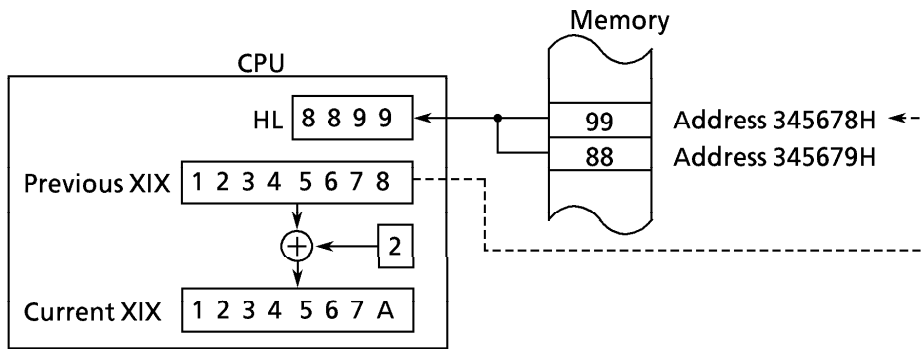
Example 3: LD XIX,(-XBC) ... in maximum mode



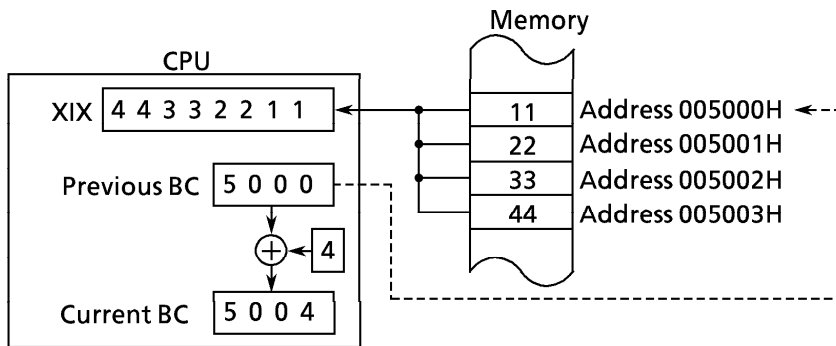
(5) Register Indirect Post-increment Addressing Mode

In this mode, the operand is the memory address specified by the contents of the register. After the operation, the contents of the register are incremented by the size of the operand.

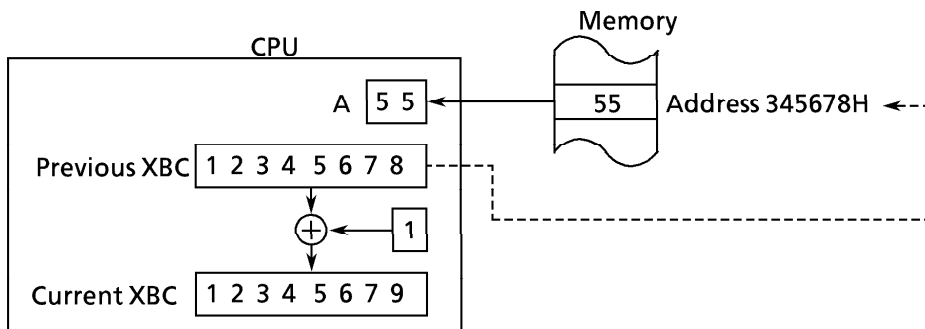
Example 1: LD HL,(XIX +) ... in both minimum and maximum modes



Example 2: LD XIX,(BC +) ... in minimum mode



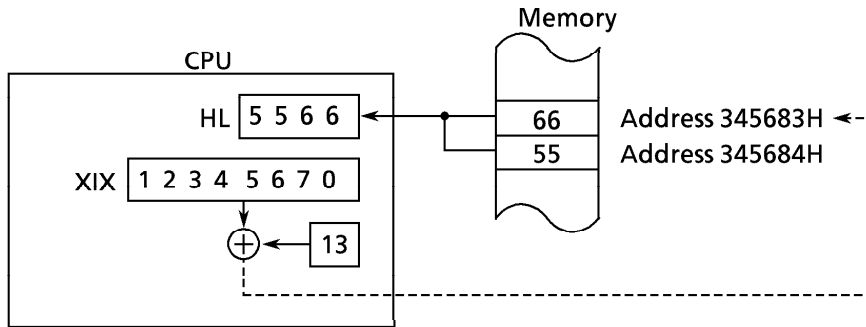
Example 3: LD A,(XBC +) ... in maximum mode



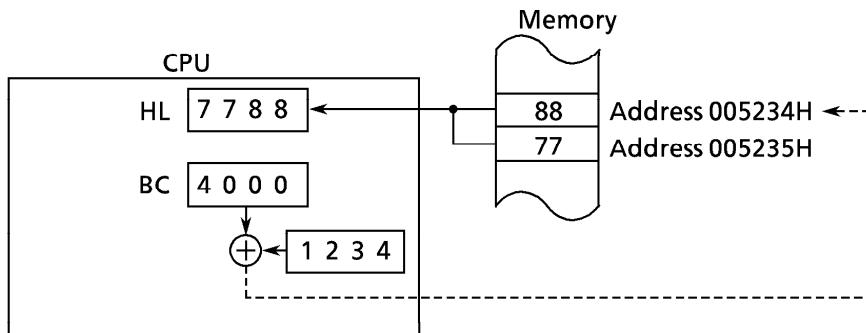
(6) Index Addressing Mode

In this mode, the operand is the memory address obtained by adding the contents of the specified register to the 8- or 16-bit displacement value in the instruction code.

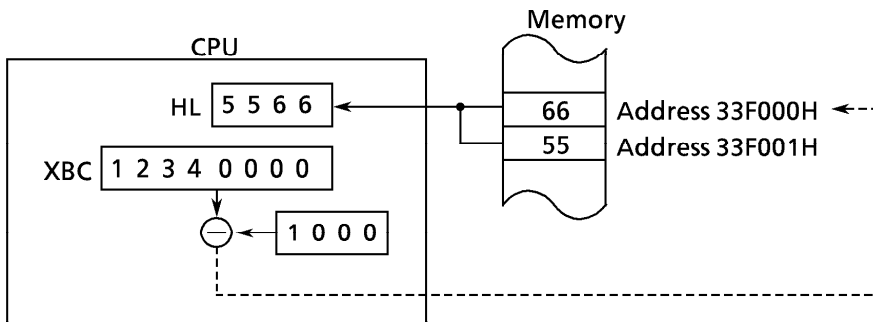
Example 1: LD HL,(XIX + 13H) ... in both minimum and maximum modes



Example 2: LD HL,(BC + 1234H) ... in minimum mode



Example 3: LD HL,(XBC-1000H) ... in maximum mode

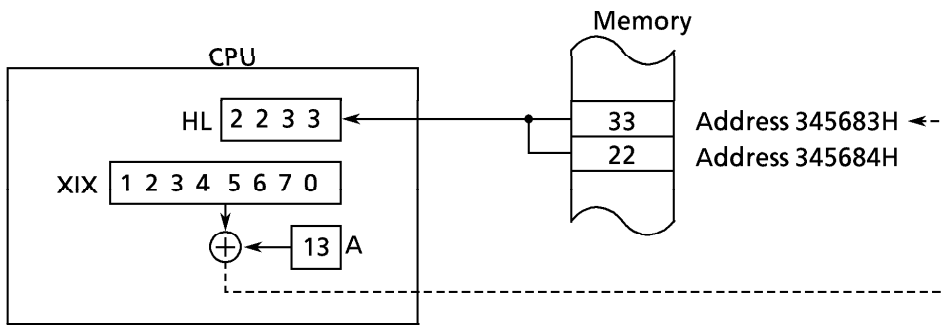


The displacement values range from -8000H to +7FFFH.

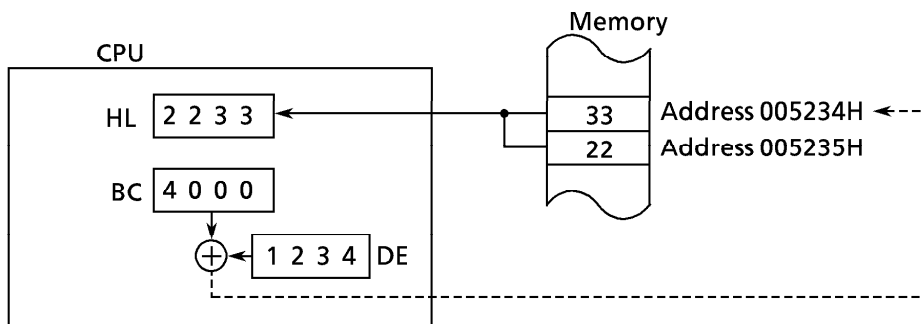
(7) Register Index Addressing Mode

In this mode, the operand is the memory address obtained by adding the contents of the register specified as the base to the register specified as the 8- or 16-bit displacement.

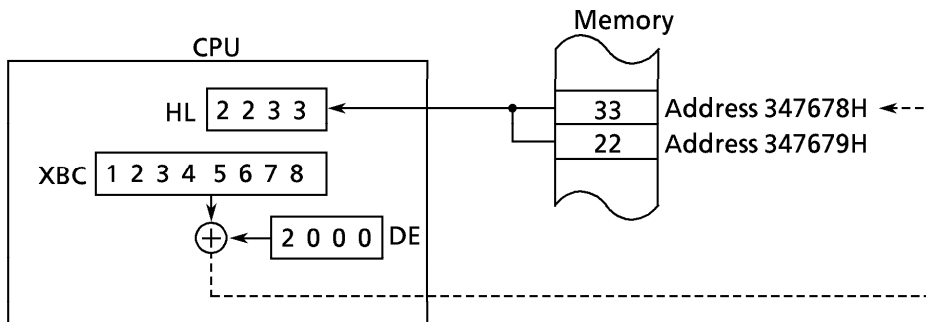
Example 1: LD HL,(XIX + A) ... in both minimum and maximum modes



Example 2: LD HL,(BC + DE) ... in minimum mode



Example 3: LD HL,(XBC + DE) ... in maximum mode

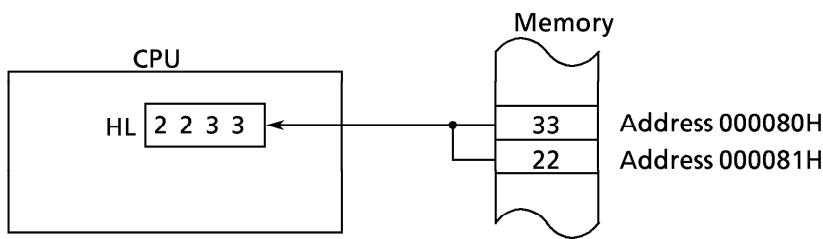


(8) Absolute Addressing Mode

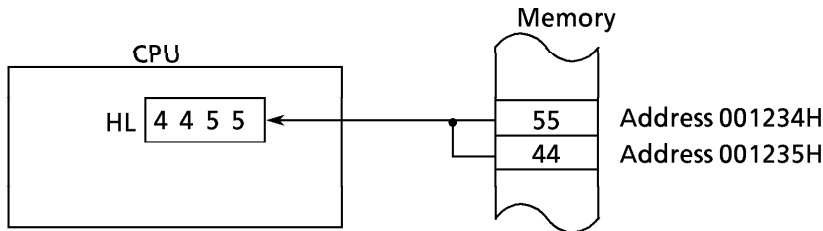
In this mode, the operand is the memory address specified by 1 to 3 bytes in the instruction code. Addresses 000000H to 0000FFH can be specified by 1 byte. Addresses 000000H to 00FFFFH can be specified by 2 bytes. Addresses 000000H to FFFFFFFH can be specified by 3 bytes.

In this mode, addressing to 256-byte area (0H to FFH) which can be specified by 1 byte is called the direct addressing mode. In the direct addressing mode, a program memory area and execution time can be cut down.

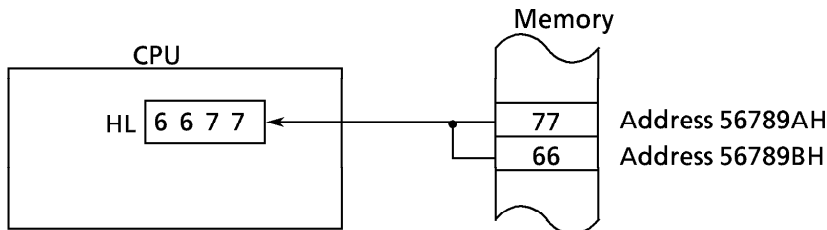
Example 1: LD HL,(80H)



Example 2: LD HL,(1234H)



Example 3: LD HL,(56789AH)



(9) Relative Addressing Mode

In this mode, the operand is the memory address obtained by adding the 8- or 16-bit displacement value to the address where the instruction code being executed is located.

In this mode, only the following five instructions can be used.

LDAR R, \$+4+d16

JR cc, \$+2+d8

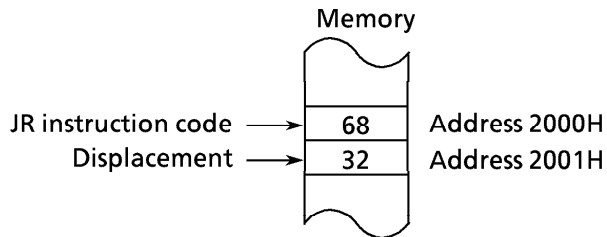
JRL cc, \$+3+d16

CALR \$+3+d16

DJNZ r, \$+3+d8 (\$: start address of instruction code)

In calculating the displacement object code value, the adjustment value (+2 to +4) depends on the instruction type.

Example 1: JR 2034H



In the above example, the displacement object code value is:

$$2034H - (2000H + 2) = 32H.$$

5. INSTRUCTIONS

In addition to its various addressing modes, the TLCS-900 series also has a powerful instruction set. The basic instructions are classified into the following nine groups:

- Load instructions (8/16/32 bits)
- Exchange instructions (8/16 bits)
- Block transfer & Block search instructions (8/16 bits)
- Arithmetic operation instructions (8/16/32 bits)
- Logical operation instructions (8/16/32 bits)
- Bit operation instructions (1 bit)
- Special operations, CPU control instructions
- Rotate and Shift instructions (8/16/32 bits)
- Jump, Call, and Return instructions

Table 5 lists the basic instructions of the TLCS-900 series. For details of instructions, see Appendix A; for the instruction list, Appendix B; for the instruction code map, Appendix C; and for the differences between the TLCS-90 and TLCS-900 series, Appendix D.

Table 5 (1) TLCS-900 Series Basic Instructions

LD	dst, src	Load	$dst \leftarrow src$
PUSH	src	Push src data to stack. SP ← SP – size: (SP) ← src	
POP	dst	Pop data from stack to dst. dst ← (SP) : SP ← SP + size	
LDA	dst, src	Load address: set src effective address in dst.	
LDAR	dst, PC + dd	Load address relative: set program counter relative address value in dst. dst ← PC + dd	
EX	dst1, dst2	Exchange dst1 and dst2 data.	
MIRR	dst	Mirror-invert dst bit pattern.	
LDI		Load increment	
LDIR		Load increment repeat	
LDD		Load decrement	
LDDR		Load decrement repeat	
CPI		Compare increment	
CPIR		Compare increment repeat	
CPD		Compare decrement	
CPDR		Compare decrement repeat	
ADD	dst, src	Add	$dst \leftarrow dst + src$
ADC	dst, src	Add with carry	$dst \leftarrow dst + src + CY$
SUB	dst, src	Subtract	$dst \leftarrow dst - src$
SBC	dst, src	Subtract with carry	$dst \leftarrow dst - src - CY$
CP	dst, src	Compare	$dst - src$
AND	dst, src	And	$dst \leftarrow dst \text{ AND } src$
OR	dst, src	Or	$dst \leftarrow dst \text{ OR } src$
XOR	dst, src	Exclusive-or	$dst \leftarrow dst \text{ XOR } src$
INC	imm, dst	Increment	$dst \leftarrow dst + imm$
DEC	imm, dst	Decrement	$dst \leftarrow dst - imm$
MUL	dst, src	Multiply unsigned	$dst \leftarrow dst \text{ (low)} \times src$
MULS	dst, src	Multiply signed	$dst \leftarrow dst \text{ (low)} \times src$
DIV	dst, src	Divide unsigned dst (low) ← dst ÷ src dst (high) ← remainder V flag set due to division by 0 or overflow.	
DIVS	dst, src	Divide signed dst (low) ← dst ÷ src dst (high) ← remainder: sign is same as that of dividend. V flag set due to division by 0 or overflow.	

MULA	dst	Multiply and add	$dst \leftarrow dst + \frac{(XDE)}{32bit} \times \frac{(XHL-)}{16bit}$
MINC1	num, dst	Modulo increment 1	
MINC2	num, dst	Modulo increment 2	
MINC4	num, dst	Modulo increment 4	
MDEC1	num, dst	Modulo decrement 1	
MDEC2	num, dst	Modulo decrement 2	
MDEC4	num, dst	Modulo decrement 4	
NEG	dst	Negate	$dst \leftarrow 0 - dst$ (Twos complement)
CPL	dst	Complement	$dst \leftarrow \text{not } dst$ (Ones complement)
EXTZ	dst	Extend zero:	set upper data of dst to 0.
EXTS	dst	Extend signed:	copy the MSB of the lower data of dst to upper data.
DAA	dst	Decimal adjustment accumulator	
PAA	dst	Pointer adjustment accumulator:	when dst is odd, increment dst by 1 to make it even. if $dst(0) = 1$ then $dst \leftarrow dst + 1$.
LDCF	bit, src	Load carry flag:	copy src<bit> value to C flag.
STCF	bit, dst	Store carry flag:	copy C flag value to dst<bit>.
ANDCF	bit, src	And carry flag:	and src<bit> value and C flag, then load the result to C flag.
ORCF	bit, src	Or carry flag:	or src<bit> and C flag, then load result to C flag.
XORCF	bit, src	Exclusive-or carry flag:	exclusive-or src<bit> value and C flag, then load result to C flag.
RCF		Reset carry flag:	reset C flag to 0.
SCF		Set carry flag:	set C flag to 1.
CCF		Complement carry flag:	invert C flag value.
ZCF		Zero flag to carry flag:	copy inverted value of Z flag to C flag.
BIT	bit, src	Bit test:	$Z \text{ flag} \leftarrow \text{not } src<bit>$
RES	bit, dst	Bit reset	
SET	bit, dst	Bit set	
CHG	bit, dst	Bit change	$dst<bit> \leftarrow \text{not } dst<bit>$
TSET	bit, dst	Bit test and set:	$Z \text{ flag} \leftarrow \text{not } dst<bit>$ $dst<bit> \leftarrow 1$

BS1F	A, dst	Bit search 1 forward: search dst for the first bit set to 1 starting from the LSB, then set the bit number in the A register.
BS1B	A, dst	Bit search 1 backward: search dst for the first bit set to 1 starting from the MSB, then set the bit number in the A register.
NOP		No operation
NORMAL		Set CPU to normal mode.
MAX		Set CPU to maximum mode (32-bit bank register and PC).
EI	imm	Enable interrupt. $IFF \leftarrow imm$
DI		Disable maskable interrupt. $IFF \leftarrow 7$
PUSH	SR	Push status registers.
POP	SR	Pop status registers.
SWI	imm	Software interrupt PUSH PC&SR : JP 8000H + 10H x imm
HALT		Halt CPU.
LDC	CTRL – REG, reg	Load control: copy the register contents to control register of CPU.
LDC	reg, CTRL – REG	Load control: copy the control register contents to register.
LDX	dst, src	Load extract. $dst \leftarrow src$
LINK	reg, dd	Link: generate stack frame. PUSH reg LD reg, XSP ADD XSP, dd
UNLK	reg	Unlink: delete stack frame. LD XSP, reg POP reg
LDF	imm	Load register file pointer: specify register bank. $RFP \leftarrow imm$
INCF		Increment register file pointer: move to new register bank. $RFP \leftarrow RFP + 1$
DECF		Decrement register file pointer: return to previous register bank. $RFP \leftarrow RFP - 1$
SCC	cc, dst	Set dst with condition codes. if cc then dst $\leftarrow 1$ else dst $\leftarrow 0$.

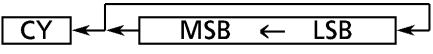
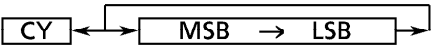
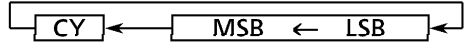
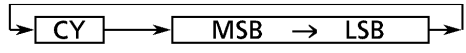
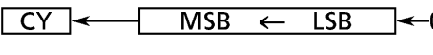
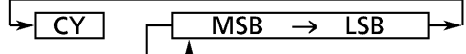
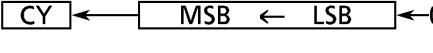
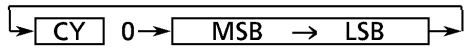
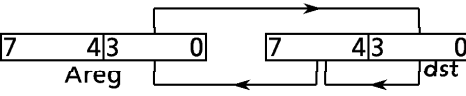
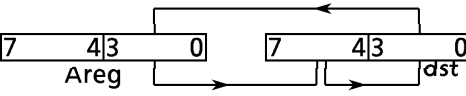
RLC	num, dst	Rotate left without carry	
RRC	num, dst	Rotate right without carry	
RL	num, dst	Rotate left	
RR	num, dst	Rotate right	
SLA	num, dst	Shift left arithmetic	
SRA	num, dst	Shift right arithmetic	
SLL	num, dst	Shift left logical	
SRL	num, dst	Shift right logical	
RLD	dst	Rotate left digit	
RRD	dst	Rotate right digit	
JR	cc, PC + d	Jump relative (8-bit displacement) if cc then PC ← PC + d.	
JRL	cc, PC + dd	Jump relative long (16-bit displacement) if cc then PC ← PC + dd.	
JP	cc, dst	Jump if cc then PC ← dst.	
CALR	RC + dd	Relative call (16-bit displacement) PUSH PC: PC ← PC + dd.	
CALL	cc, dst	Call relative if cc then PUSH PC: PC ← dst.	
DJNZ	dst, PC + d	Decrement and jump if non-zero dst ← dst - 1 if dst ≠ 0 then PC ← PC + d.	
RET	cc	Return if cc then POP PC.	
RETD	dd	Return and deallocate RET XSP ← XSP + dd	
RETI		Return from interrupt POP SR&PC	

Table 5 (2) Instruction List

BWL	LD	reg, reg	BWL	INC	imm3, reg	---	NOP
BWL	LD	reg, imm	BWL	DEC	imm3, mem.B/W	---	*NORMAL
BWL	LD	reg, mem				---	*MAX
BWL	LD	mem, reg				---	EI [imm3]
BW-	LD	mem, imm				---	DI
BW-	LD	(nn), mem	BW-	MUL	reg, reg	-W-	*PUSH SR
BW-	LD	mem, (nn)		*MULS	reg, imm	-W-	*POP SR
				DIV	reg, mem	---	SWI [imm3]
				*DIVS		---	HALT
BWL	PUSH	reg/F				BWL	*LDC CTRL-R, reg
BW-	PUSH	imm	-W-	*MULA	reg	BWL	*LDC reg, CTRL-R
BW-	PUSH	mem				B--	*LDX (n), n
			-W-	*MINC1	imm, reg	--L	*LINK reg, dd
BWL	POP	reg/F	-W-	*MINC2	imm, reg	--L	*UNLK reg
BW-	POP	mem	-W-	*MINC4	imm, reg	---	*LDF imm3
			-W-	*MDEC1	imm, reg	---	*INCF
-WL	LDA	reg, mem	-W-	*MDEC2	imm, reg	---	*DECF
-WL	LDAR	reg, PC + dd	-W-	*MDEC4	imm, reg	BW-	*SCC cc, reg
			BW-	NEG	reg	BWL	RLC imm, reg
			BW-	CPL	reg		RRC A, reg
B--	EX	F, F'	-WL	*EXTZ	reg		RL mem. B/W
BW-	EX	reg, reg	-WL	*EXTS	reg		RR
BW-	EX	mem, reg	-WL	*DAA	reg		SLA
			-WL	*PAA	reg		SRA
							SLL
							SRL
-W-	*MIRR	reg	BW-	*LDCF	imm, reg	B--	RLD [A,] mem
				*STCF	A, reg	B--	RRD [A,] mem
				*ANDCF	imm, mem.B		
				*ORCF	A, mem.B		
				*XORCF			
BW-	LDI		---	RCF		---	JR [cc,] PC + d
BW-	LDIR		---	SCF		---	JRL [cc,] PC + dd
BW-	LDD		---	CCF		---	JP [cc,] mem
BW-	LDDR		---	*ZCF		---	CALR PC + dd
						---	CALL [cc,] mem
BW-	CPI		BW-	BIT	imm, reg	BW-	DJNZ [reg], PC + d
BW-	CPIR			RES	imm, mem.B		
BW-	CPD			SET			
BW-	CPDR			*CHG			
				TSET			
BWL	ADD	reg, reg	-W-	*BS1F	A, reg	---	RET [cc]
	ADC	reg, imm		*BS1B		---	*RETD dd
	SUB	reg, mem				---	RETI
	SBC	mem, reg					
	CP	mem, imm.B/W					
	AND						
	OR						
	XOR						

← B = Byte (8 bit), W = Word (16 bit), L = Long-Word (32 bit).

* : Indicates instruction added to the TLCS-90 series.

[] : Indicates privileged instruction.

[] : Indicates can be omitted.

(3) Dynamic Bus Sizing

The TLCS-900 series can switch between 8- and 16-bit data buses dynamically during each bus cycle. This is called dynamic bus sizing. The function enables external memory extension using both 8- and 16-bit data bus memories. Products with a built-in chip select/wait controller can control external data bus size for each address area.

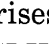
Table 6 (1) Dynamic Bus Sizing

Operand data size	Operand start address	Data size at memory side	CPU address	CPU data	
				D15 to D8	D7 to D0
8 bits	2n + 0 (even)	8 bits	2n + 0	xxxxx	b7 to b0
		16 bits	2n + 0	xxxxx	b7 to b0
	2n + 1 (odd)	8 bits	2n + 1	xxxxx	b7 to b0
		16 bits	2n + 1	b7 to b0	xxxxx
16 bits	2n + 0 (even)	8 bits	2n + 0	xxxxx	b7 to b0
			2n + 1	xxxxx	b15 to b8
	16 bits	2n + 0	b15 to b8	b7 to b0	
	2n + 1 (odd)	8 bits	2n + 1	xxxxx	b7 to b0
			2n + 2	xxxxx	b15 to b8
		16 bits	2n + 1	b7 to b0	xxxxx
		2n + 2	xxxxx	b15 to b8	
32 bits	2n + 0 (even)	8 bits	2n + 0	xxxxx	b7 to b0
			2n + 1	xxxxx	b15 to b8
			2n + 2	xxxxx	b23 to b16
			2n + 3	xxxxx	b31 to b24
	16 bits	2n + 0	b15 to b8	b7 to b0	
		2n + 2	b31 to b24	b23 to b16	
	2n + 1 (odd)	8 bits	2n + 1	xxxxx	b7 to b0
			2n + 2	xxxxx	b15 to b8
			2n + 3	xxxxx	b23 to b16
			2n + 4	xxxxx	b31 to b24
16 bits		2n + 1	b7 to b0	xxxxx	
		2n + 2	b23 to b16	b15 to b8	
	2n + 4	xxxxx	b31 to b24		

xxxxx : During read, indicates the data input to the bus are ignored. During write, indicates the bus is at high impedance and the write strobe signal is non-active.

(4) Internal Data Bus Format

With the TLCS-900 series, the CPU and the internal memory (built-in ROM or RAM) are connected via a 16-bit internal data bus. The internal memory operates with 0 wait. The CPU and the built-in I/Os are connected using an 8-bit internal data bus. This is because the built-in I/O access speed has little influence on the overall system operation speed.

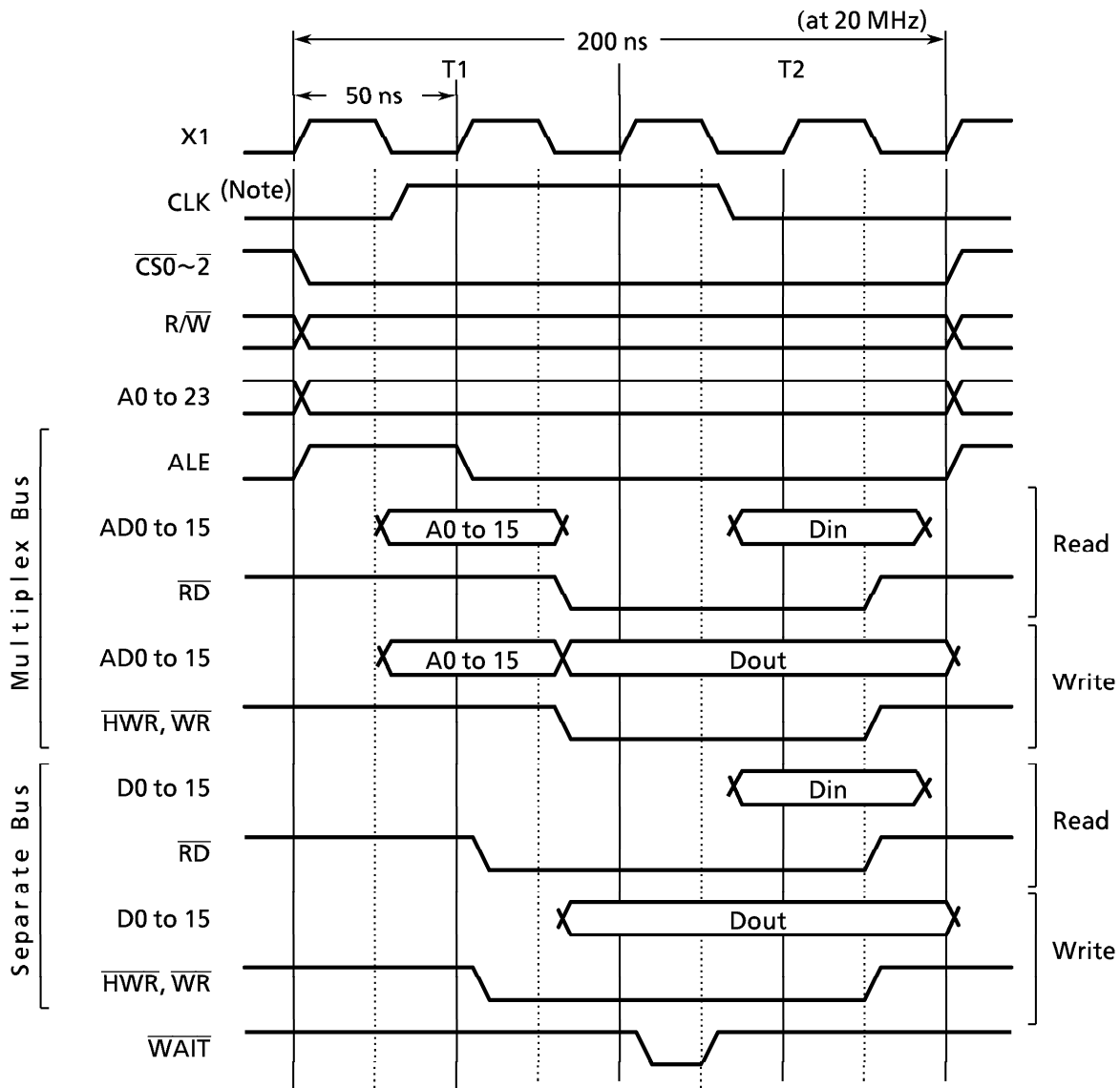
Overall system operation speed depends largely on the speed of program memory access. The built-in I/O operates in sync with the signal phase of the CLK pin. It is synchronized so that the CLK rises () in the middle of the bus cycle. (Figure 7 (1) shows signal phases.) If the CLK is “1” when the ALE signal rises, 1 wait is inserted automatically for synchronization.

7. BASIC TIMINGS

The TLCS-900 series runs the following basic timings.

- Read cycle
- Write cycle
- Dummy cycle
- Interrupt receive timing
- Reset

Figures 7 (1) to (10) show the basic timings.



Note : CLK outputs are not always the same as the above phases.

Figure 7 (1) 0 WAIT Read/Write Cycle

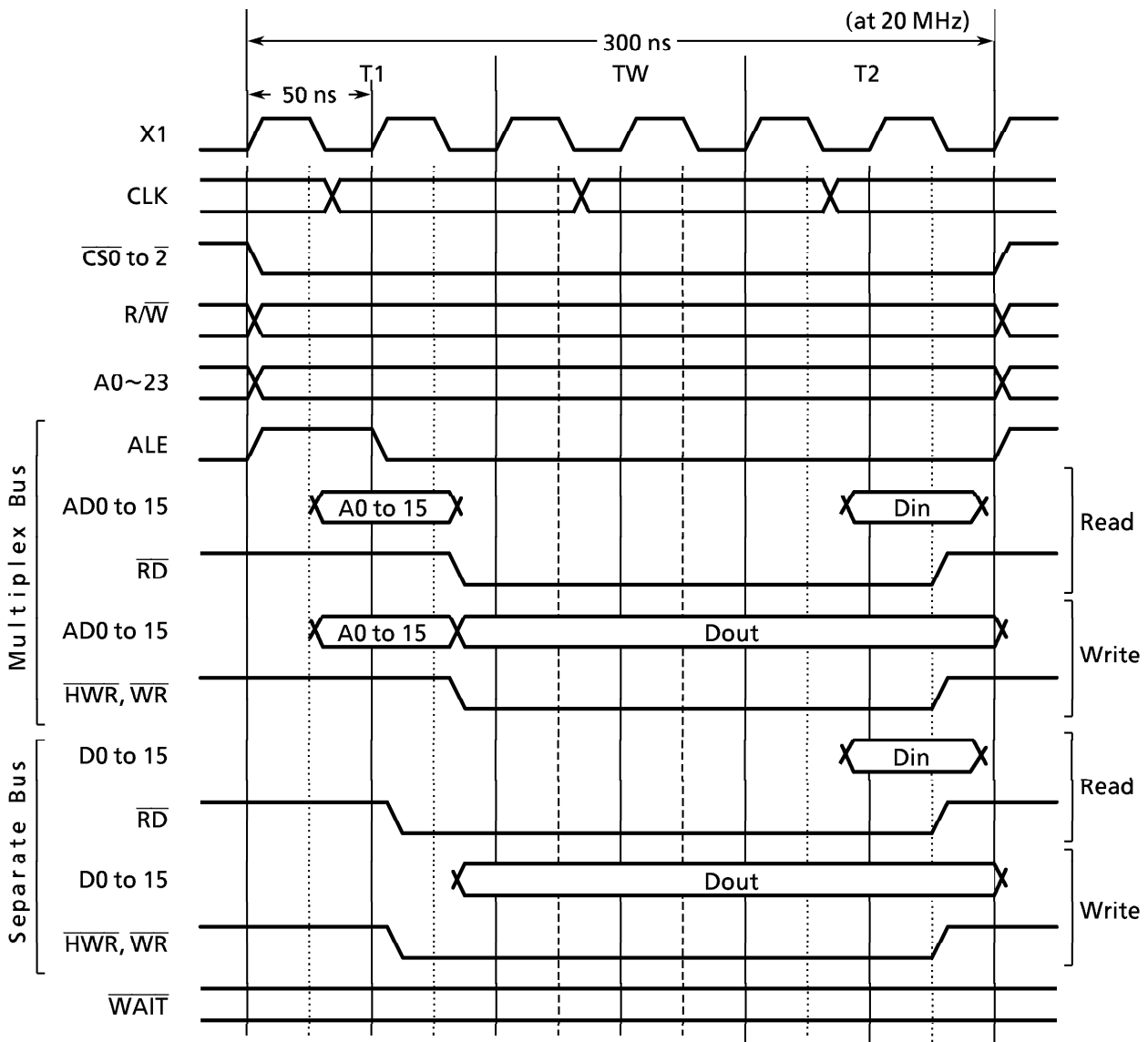


Figure 7 (2) 1WAIT Read/Write Cycle

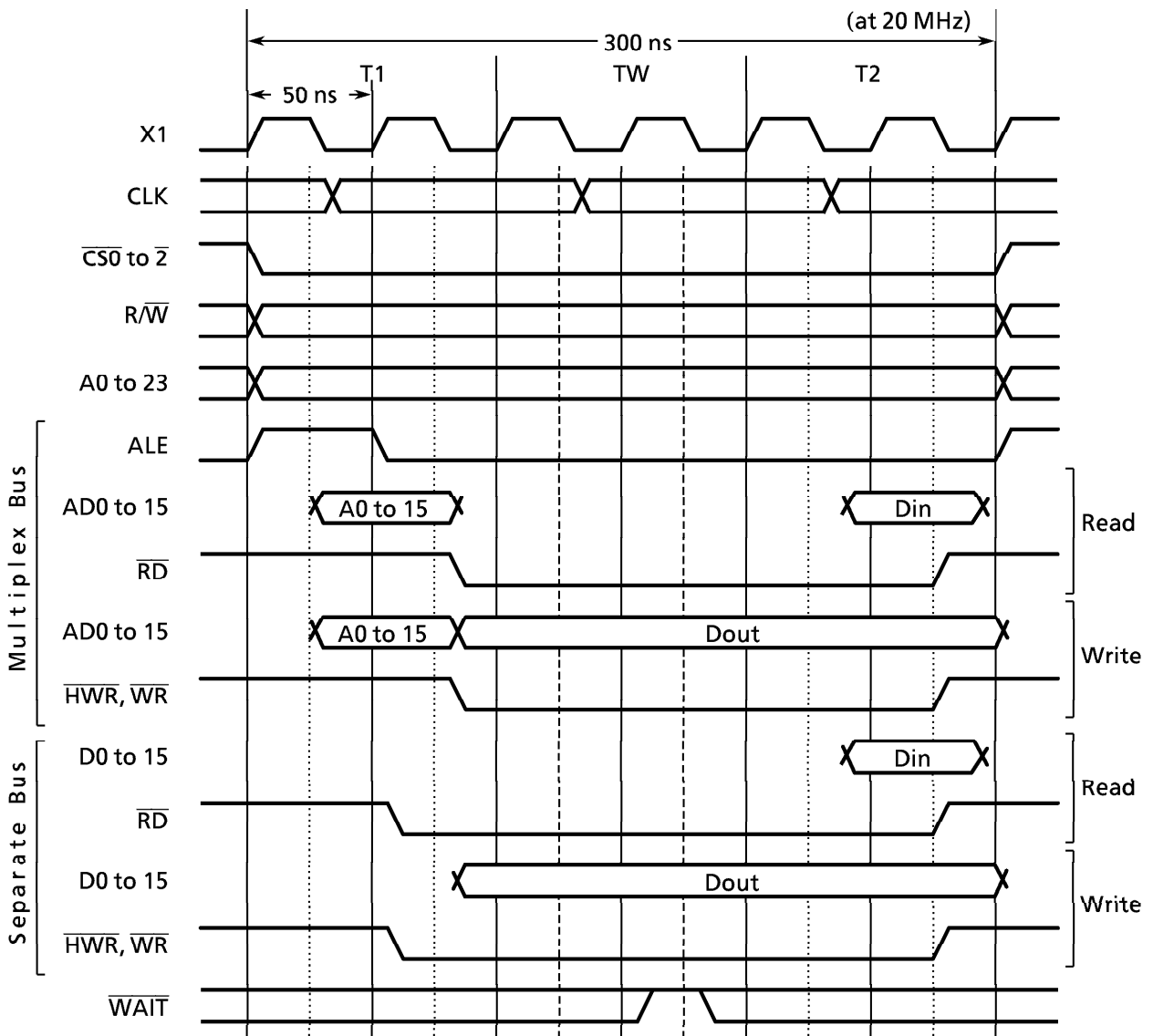


Figure 7 (3) 1WAIT + n Read/Write Cycle (n = 0)

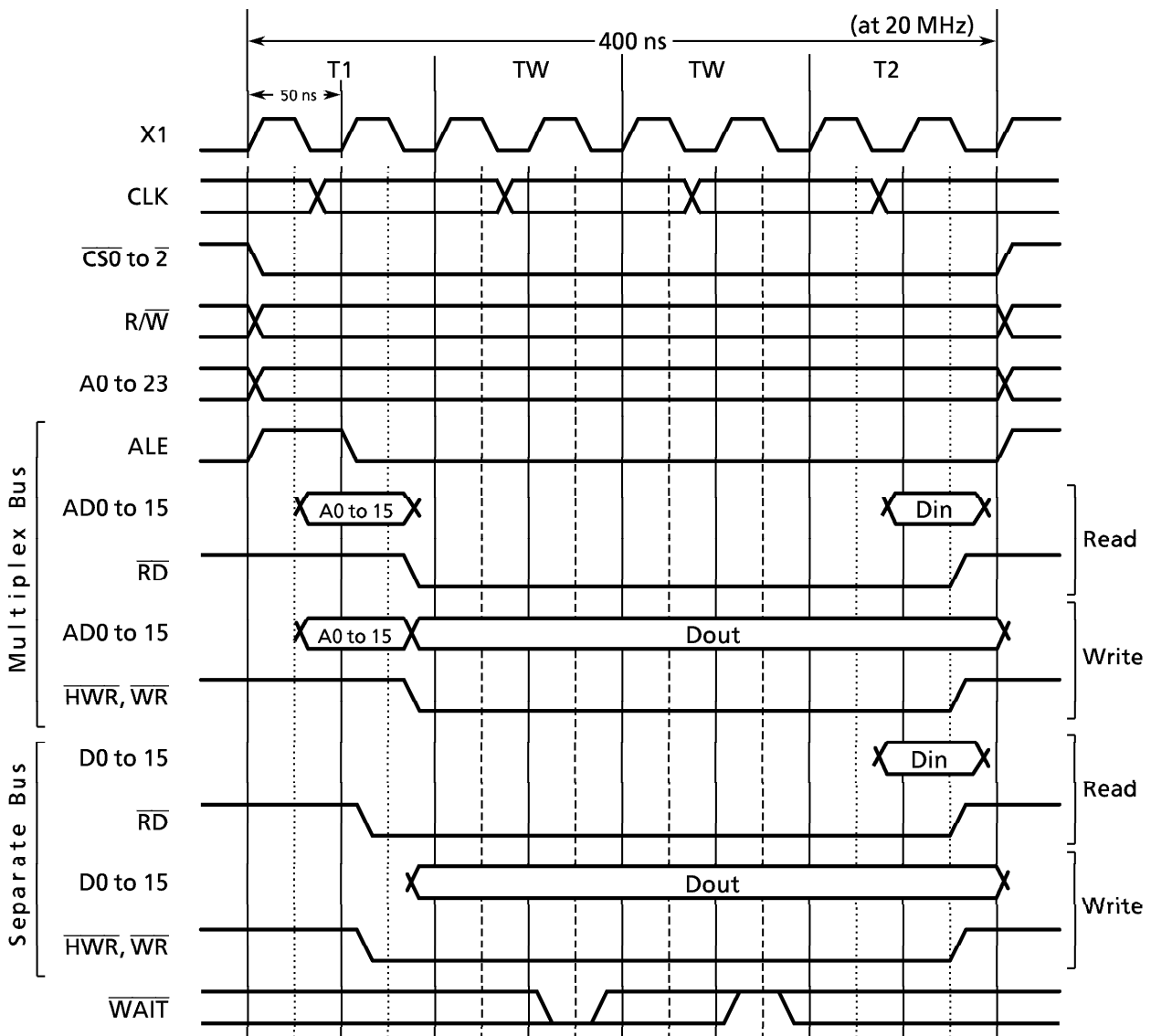


Figure 7 (4) 1WAIT + n Read/Write Cycle (n = 1)

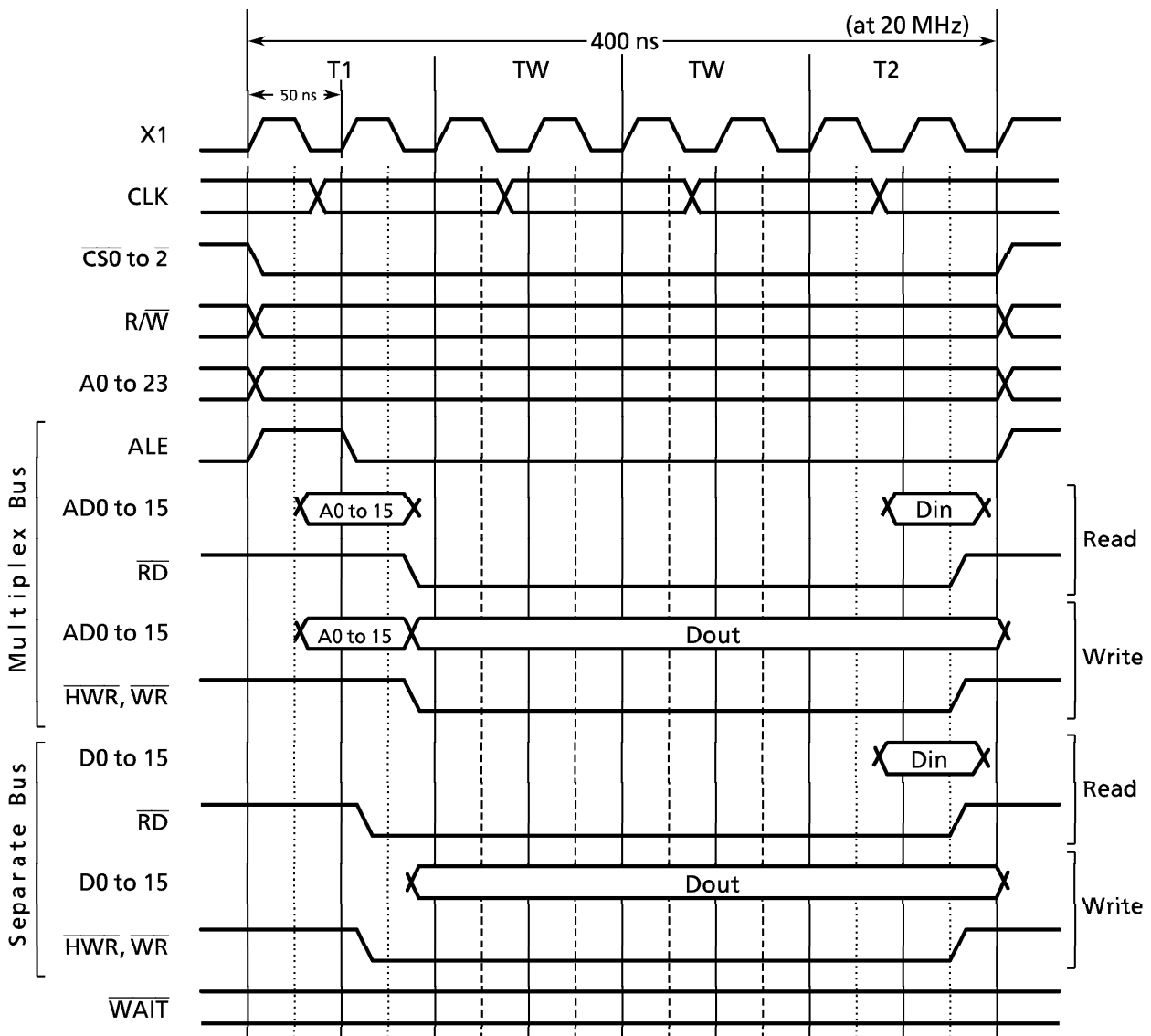


Figure 7 (5) 2WAIT Read/Write Cycle

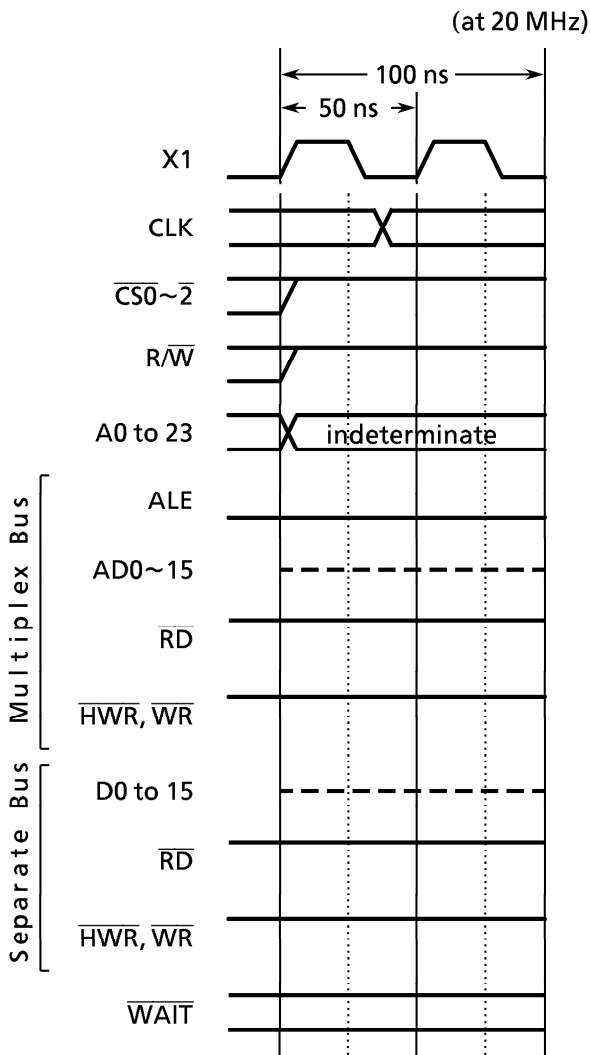
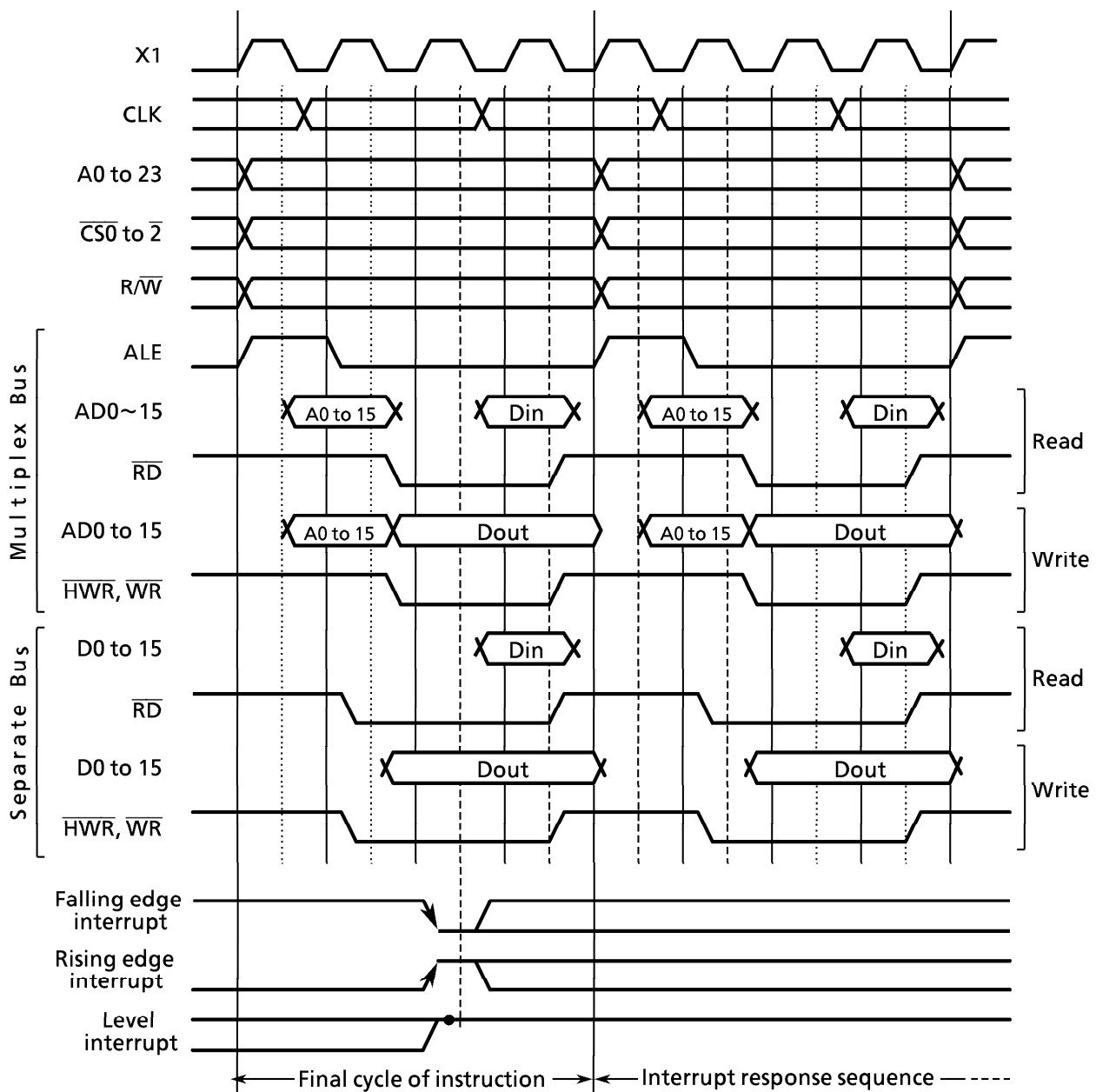
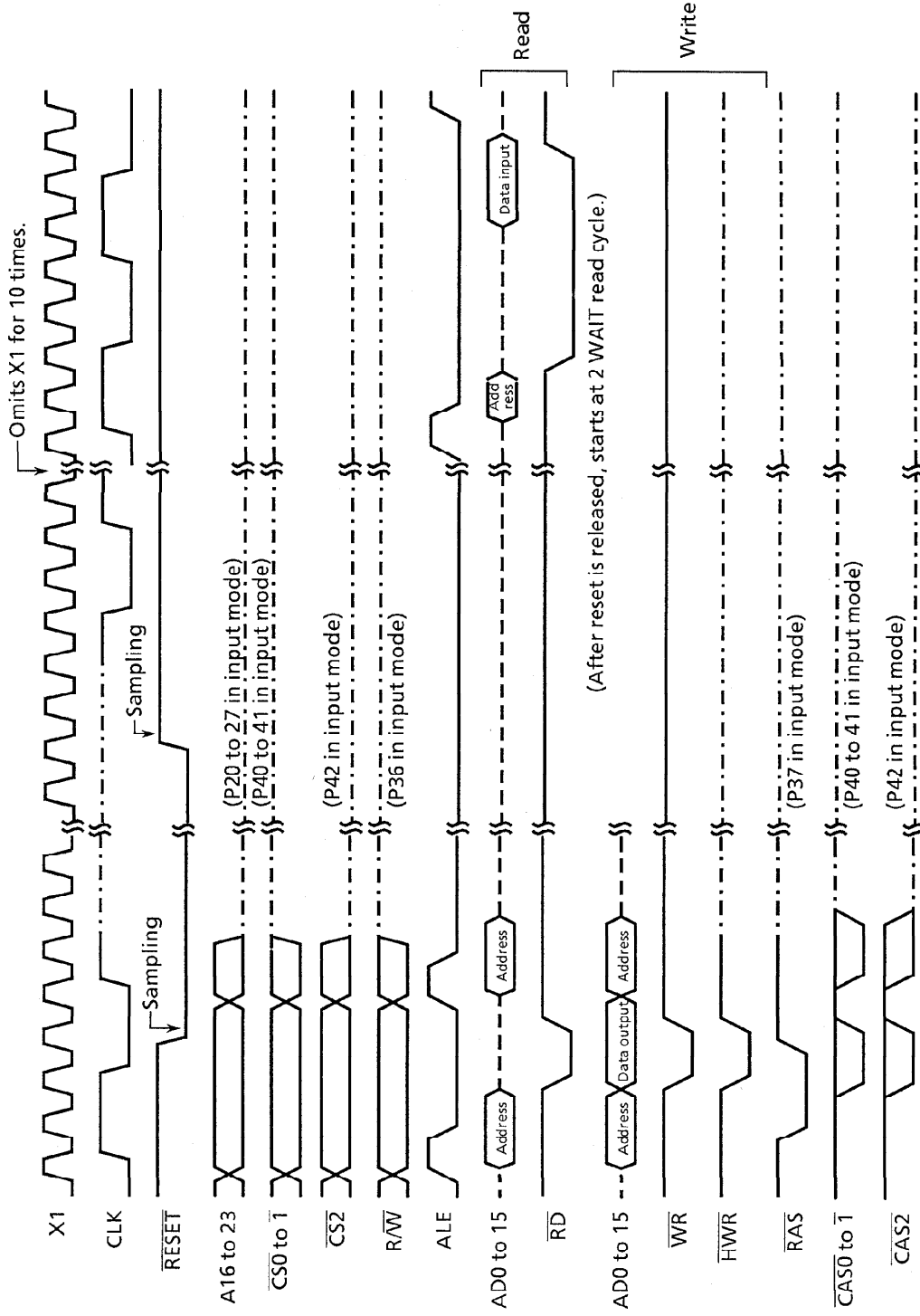


Figure 7 (6) 1 State Dummy Cycle



Note : This timing chart is a theoretical example. In practice, due to the operation of the bus interface unit in the CPU, external bus and internal interrupt receive timings do not correspond one to one.

Figure 7 (7) Interrupt Receive Timing



Note : - - - - - indicates pulled up internally.
 - - - - - indicates pulled down internally.

Figure 7 (8) Reset Timings (external ROM operation: TMP96C141)

LD dst, src

< Load >

Operation : dst ← src

Description : Loads the contents of src to dst.

Details :

			Mnemonic	Code																																				
Byte	Size Word	Long word																																						
○	○	○	LD R, r	<table border="1"> <tr><td>1</td><td>1</td><td>z</td><td>z</td><td>1</td><td>r</td></tr> <tr><td>1</td><td>0</td><td>0</td><td>0</td><td>1</td><td>R</td></tr> </table>	1	1	z	z	1	r	1	0	0	0	1	R																								
1	1	z	z	1	r																																			
1	0	0	0	1	R																																			
○	○	○	LD r, R	<table border="1"> <tr><td>1</td><td>1</td><td>z</td><td>z</td><td>1</td><td>r</td></tr> <tr><td>1</td><td>0</td><td>0</td><td>1</td><td>1</td><td>R</td></tr> </table>	1	1	z	z	1	r	1	0	0	1	1	R																								
1	1	z	z	1	r																																			
1	0	0	1	1	R																																			
○	○	○	LD r, #3	<table border="1"> <tr><td>1</td><td>1</td><td>z</td><td>z</td><td>1</td><td>r</td></tr> <tr><td>1</td><td>0</td><td>1</td><td>0</td><td>1</td><td>#3</td></tr> </table>	1	1	z	z	1	r	1	0	1	0	1	#3																								
1	1	z	z	1	r																																			
1	0	1	0	1	#3																																			
○	○	○	LD R, #	<table border="1"> <tr><td>0</td><td>z</td><td>z</td><td>z</td><td>0</td><td>R</td></tr> <tr><td colspan="6">#<7:0></td></tr> <tr><td colspan="6">#<15:8></td></tr> <tr><td colspan="6">#<23:16></td></tr> <tr><td colspan="6">#<31:24></td></tr> </table>	0	z	z	z	0	R	#<7:0>						#<15:8>						#<23:16>						#<31:24>											
0	z	z	z	0	R																																			
#<7:0>																																								
#<15:8>																																								
#<23:16>																																								
#<31:24>																																								
○	○	○	LD r, #	<table border="1"> <tr><td>1</td><td>1</td><td>z</td><td>z</td><td>1</td><td>r</td></tr> <tr><td>0</td><td>0</td><td>0</td><td>0</td><td>0</td><td>0</td></tr> <tr><td colspan="6">#<7:0></td></tr> <tr><td colspan="6">#<15:8></td></tr> <tr><td colspan="6">#<23:16></td></tr> <tr><td colspan="6">#<31:24></td></tr> </table>	1	1	z	z	1	r	0	0	0	0	0	0	#<7:0>						#<15:8>						#<23:16>						#<31:24>					
1	1	z	z	1	r																																			
0	0	0	0	0	0																																			
#<7:0>																																								
#<15:8>																																								
#<23:16>																																								
#<31:24>																																								
○	○	○	LD R, (mem)	<table border="1"> <tr><td>1</td><td>m</td><td>z</td><td>z</td><td>m</td><td>m</td><td>m</td><td>m</td></tr> <tr><td>0</td><td>0</td><td>1</td><td>0</td><td>0</td><td>R</td></tr> </table>	1	m	z	z	m	m	m	m	0	0	1	0	0	R																						
1	m	z	z	m	m	m	m																																	
0	0	1	0	0	R																																			
○	○	○	LD (mem), R	<table border="1"> <tr><td>1</td><td>m</td><td>1</td><td>1</td><td>m</td><td>m</td><td>m</td><td>m</td></tr> <tr><td>0</td><td>1</td><td>z</td><td>z</td><td>0</td><td>R</td></tr> </table>	1	m	1	1	m	m	m	m	0	1	z	z	0	R																						
1	m	1	1	m	m	m	m																																	
0	1	z	z	0	R																																			
○	○	×	LD<W> (#8), #	<table border="1"> <tr><td>0</td><td>0</td><td>0</td><td>0</td><td>1</td><td>0</td><td>z</td><td>0</td></tr> <tr><td colspan="8">#8</td></tr> <tr><td colspan="8">#<7:0></td></tr> <tr><td colspan="8">#<15:8></td></tr> </table>	0	0	0	0	1	0	z	0	#8								#<7:0>								#<15:8>											
0	0	0	0	1	0	z	0																																	
#8																																								
#<7:0>																																								
#<15:8>																																								

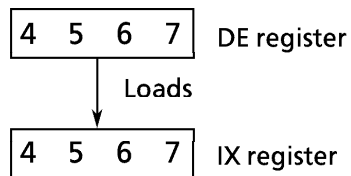
Byte	Size		Mnemonic	Code																																
	Word	Long word																																		
○	○	×	LD<W> (mem), #	<table border="1" style="width: 100%; border-collapse: collapse;"> <tr> <td style="text-align: center;">1</td><td style="text-align: center;">m</td><td style="text-align: center;">1</td><td style="text-align: center;">1</td><td style="text-align: center;">m</td><td style="text-align: center;">m</td><td style="text-align: center;">m</td><td style="text-align: center;">m</td> </tr> <tr> <td style="text-align: center;">0</td><td style="text-align: center;">0</td><td style="text-align: center;">0</td><td style="text-align: center;">0</td><td style="text-align: center;">0</td><td style="text-align: center;">0</td><td style="text-align: center;">z</td><td style="text-align: center;">0</td> </tr> <tr> <td colspan="8" style="text-align: center;">#<7:0></td> </tr> <tr> <td colspan="8" style="text-align: center;">#<15:8></td> </tr> </table>	1	m	1	1	m	m	m	m	0	0	0	0	0	0	z	0	#<7:0>								#<15:8>							
1	m	1	1	m	m	m	m																													
0	0	0	0	0	0	z	0																													
#<7:0>																																				
#<15:8>																																				
○	○	×	LD<W> (#16), (mem)	<table border="1" style="width: 100%; border-collapse: collapse;"> <tr> <td style="text-align: center;">1</td><td style="text-align: center;">m</td><td style="text-align: center;">0</td><td style="text-align: center;">z</td><td style="text-align: center;">m</td><td style="text-align: center;">m</td><td style="text-align: center;">m</td><td style="text-align: center;">m</td> </tr> <tr> <td style="text-align: center;">0</td><td style="text-align: center;">0</td><td style="text-align: center;">0</td><td style="text-align: center;">1</td><td style="text-align: center;">1</td><td style="text-align: center;">0</td><td style="text-align: center;">0</td><td style="text-align: center;">1</td> </tr> <tr> <td colspan="8" style="text-align: center;">#16<7:0></td> </tr> <tr> <td colspan="8" style="text-align: center;">#16<15:8></td> </tr> </table>	1	m	0	z	m	m	m	m	0	0	0	1	1	0	0	1	#16<7:0>								#16<15:8>							
1	m	0	z	m	m	m	m																													
0	0	0	1	1	0	0	1																													
#16<7:0>																																				
#16<15:8>																																				
○	○	×	LD<W> (mem), (#16)	<table border="1" style="width: 100%; border-collapse: collapse;"> <tr> <td style="text-align: center;">1</td><td style="text-align: center;">m</td><td style="text-align: center;">1</td><td style="text-align: center;">1</td><td style="text-align: center;">m</td><td style="text-align: center;">m</td><td style="text-align: center;">m</td><td style="text-align: center;">m</td> </tr> <tr> <td style="text-align: center;">0</td><td style="text-align: center;">0</td><td style="text-align: center;">0</td><td style="text-align: center;">1</td><td style="text-align: center;">0</td><td style="text-align: center;">1</td><td style="text-align: center;">z</td><td style="text-align: center;">0</td> </tr> <tr> <td colspan="8" style="text-align: center;">#16<7:0></td> </tr> <tr> <td colspan="8" style="text-align: center;">#16<15:8></td> </tr> </table>	1	m	1	1	m	m	m	m	0	0	0	1	0	1	z	0	#16<7:0>								#16<15:8>							
1	m	1	1	m	m	m	m																													
0	0	0	1	0	1	z	0																													
#16<7:0>																																				
#16<15:8>																																				

Flags : S Z H V N C

-	-	-	-	-	-
---	---	---	---	---	---

- S = No change
- Z = No change
- H = No change
- V = No change
- N = No change
- C = No change

Execution example: LD IX, DE
 When the DE register = 4567H, execution sets the IX register to 4567H.



PUSH src

< Push >

Operation : $(-XSP) \leftarrow src$ [

In bytes	: $XSP \leftarrow XSP - 1, (XSP) \leftarrow src$
In words	: $XSP \leftarrow XSP - 2, (XSP) \leftarrow src$
In long words	: $XSP \leftarrow XSP - 4, (XSP) \leftarrow src$

]

Description : Decrements the stack pointer XSP by the byte length of the operand.
Then loads the contents of src to the memory address specified by the stack pointer XSP.

Details :

Byte	Size		Mnemonic	Code
	Word	Long word		
○	×	×	PUSH F	0 0 0 1 1 0 0 0
○	×	×	PUSH A	0 0 0 1 0 1 0 0
×	○	○	PUSH R	0 0 1 s 1 R
○	○	○	PUSH r	1 1 z z 1 r 0 0 0 0 0 1 0 0
○	○	×	PUSH<W> #	0 0 0 0 1 0 z 1 #<7:0> #<15:8>
○	○	×	PUSH<W> (mem)	1 m 0 z m m m m 0 0 0 0 0 1 0 0

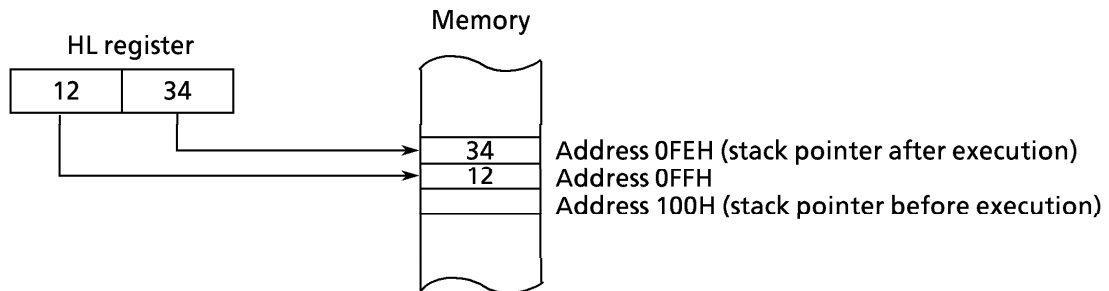
Flags : S Z H V N C

-	-	-	-	-	-
---	---	---	---	---	---

- S = No change
- Z = No change
- H = No change
- V = No change
- N = No change
- C = No change

Execution example: PUSH HL

When the stack pointer XSP = 0100H and the HL register = 1234H, execution changes address 00FEH to 34H, address 00FFH to 12H, and sets the stack pointer XSP to 00FEH.



POP dst

< Pop >

Operation : $dst \leftarrow (XSP +)$ $\left[\begin{array}{l} \text{In bytes} : dst \leftarrow (XSP), XSP \leftarrow XSP + 1 \\ \text{In words} : dst \leftarrow (XSP), XSP \leftarrow XSP + 2 \\ \text{In long words} : dst \leftarrow (XSP), XSP \leftarrow XSP + 4 \end{array} \right]$

Description : First loads the contents of memory address specified by the stack pointer XSP to dst. Then increments the stack pointer XSP by the number of bytes in the operand.

Details :

Byte	Size		Mnemonic		Code
	Word	Long word			
○	×	×	POP	F	0 0 0 1 1 0 0 1
○	×	×	POP	A	0 0 0 1 0 1 0 1
×	○	○	POP	R	0 1 0 s 1 R
○	○	○	POP	r	1 1 z z 1 r 0 0 0 0 0 1 0 1
○	○	×	POP<W>	(mem)	1 m 1 1 m m m m 0 0 0 0 0 1 z 0

Flags : S Z H V N C

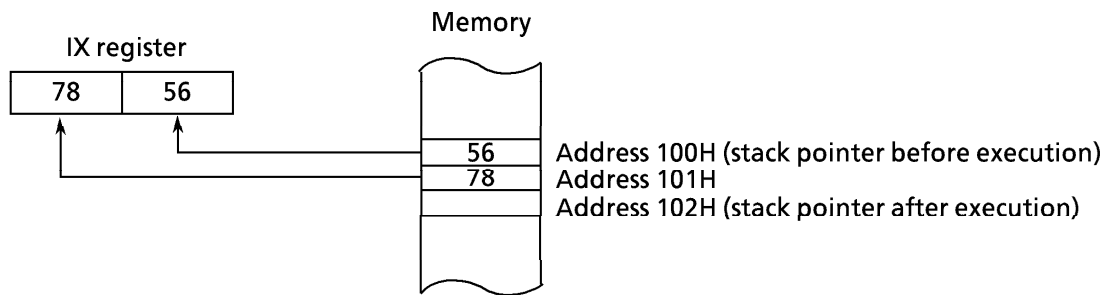
-	-	-	-	-	-
---	---	---	---	---	---

- S = No change
- Z = No change
- H = No change
- V = No change
- N = No change
- C = No change

(Note) Executing POP F changes all flags.

Execution example: POP IX

When the stack pointer XSP = 0100H, the contents of address 100H = 56H, and the contents of address 101H = 78H, execution sets the IX register to 7856H and the stack pointer XSP to 0102H.



LDA dst, src

< Load Address >

Operation : dst ← src effective address value

Description : Loads the src effective address value to dst.

Details :

Size			Mnemonic	Code																
Byte	Word	Long word																		
×	○	○	LDA	R, mem																
<table border="1" style="width: 100%; text-align: center;"> <tr> <td>1</td><td>m</td><td>1</td><td>1</td><td>m</td><td>m</td><td>m</td><td>m</td> </tr> <tr> <td>0</td><td>0</td><td>1</td><td>s</td><td>0</td><td></td><td>R</td><td></td> </tr> </table>					1	m	1	1	m	m	m	m	0	0	1	s	0		R	
1	m	1	1	m	m	m	m													
0	0	1	s	0		R														

Note : This instruction operates much like the ADD instruction; the difference is that dst is specified independently from src. Mainly used for handling the pointer with the C compiler.

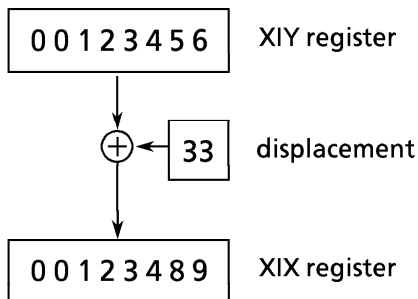
Flags : S Z H V N C

-	-	-	-	-	-
---	---	---	---	---	---

- S = No change
- Z = No change
- H = No change
- V = No change
- N = No change
- C = No change

Execution example: LDA XIX, XIY + 33H

When the XIY register = 00123456H, execution sets the XIX register to 00123489H.



LDAR dst, src

< Load Address Relative >

Operation : dst ← src relative address value

Description : Loads the relative address value specified in src to dst.

Details :

Size			Mnemonic	Code																																								
Byte	Word	Long word																																										
×	○	○	LDAR	R, \$+4+d16																																								
<table border="1" style="width: 100%; text-align: center;"> <tr> <td>1</td><td>1</td><td>1</td><td>1</td><td>0</td><td>0</td><td>1</td><td>1</td> </tr> <tr> <td>0</td><td>0</td><td>0</td><td>1</td><td>0</td><td>0</td><td>1</td><td>1</td> </tr> <tr> <td colspan="8">d<7:0></td> </tr> <tr> <td colspan="8">d<15:8></td> </tr> <tr> <td>0</td><td>0</td><td>1</td><td>s</td><td>0</td><td></td><td>R</td><td></td> </tr> </table>					1	1	1	1	0	0	1	1	0	0	0	1	0	0	1	1	d<7:0>								d<15:8>								0	0	1	s	0		R	
1	1	1	1	0	0	1	1																																					
0	0	0	1	0	0	1	1																																					
d<7:0>																																												
d<15:8>																																												
0	0	1	s	0		R																																						

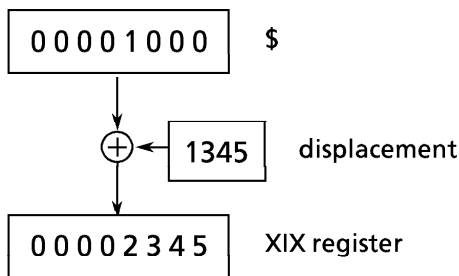
Flags : S Z H V N C

-	-	-	-	-	-
---	---	---	---	---	---

- S = No change
- Z = No change
- H = No change
- V = No change
- N = No change
- C = No change

Execution example: LDAR XIX, \$+1345H

When this instruction is executed at memory address 1000H, execution sets the XIX register to 00002345H. \$ indicates the start address of the instruction. The instruction's object codes are: F3H:13H:41H:13H:34H.



LDI dst, src

< Load Increment >

Operation : dst ← src, BC ← BC - 1

Description : Loads the contents of src to dst, then decrements the contents of the BC register by 1. src and dst must be in post-increment register indirect addressing mode.

Details :

Byte	Size		Mnemonic	Code																
	Word	Long word																		
○	○	×	LDI<W> [(XDE+), (XHL+)]	<table border="1"> <tr> <td>1</td><td>0</td><td>0</td><td>z</td><td>0</td><td>0</td><td>1</td><td>1</td> </tr> <tr> <td>0</td><td>0</td><td>0</td><td>1</td><td>0</td><td>0</td><td>0</td><td>0</td> </tr> </table>	1	0	0	z	0	0	1	1	0	0	0	1	0	0	0	0
1	0	0	z	0	0	1	1													
0	0	0	1	0	0	0	0													
○	○	×	LDI<W> (XIX+), (XIY+)	<table border="1"> <tr> <td>1</td><td>0</td><td>0</td><td>z</td><td>0</td><td>1</td><td>0</td><td>1</td> </tr> <tr> <td>0</td><td>0</td><td>0</td><td>1</td><td>0</td><td>0</td><td>0</td><td>0</td> </tr> </table>	1	0	0	z	0	1	0	1	0	0	0	1	0	0	0	0
1	0	0	z	0	1	0	1													
0	0	0	1	0	0	0	0													

* Coding in square brackets [] can be omitted.

Flags : S Z H V N C

-	-	0	*	0	-
---	---	---	---	---	---

S = No change

Z = No change

H = Cleared to zero.

V = 0 is set when the BC register value is 0 after execution, otherwise 1.

N = Cleared to zero.

C = No change

Execution example: LDI (XIX+), (XIY+)

When the XIX register = 00123456H, the XIY register = 00335577H, and the BC register = 0700H, execution loads the contents of address 335577H to 123456H and sets the XIX register to 00123457H, the XIY register to 00335578H, and the BC register to 06FFH.

LDIR dst, src

< Load Increment Repeat >

Operation : $dst \leftarrow src, BC \leftarrow BC - 1, \text{Repeat until } BC = 0$

Description : Loads the contents of src to dst, then decrements the contents of the BC register by 1. If the result is other than 0, the operation is repeated. src and dst must be in post-increment register indirect addressing mode.

Details :

Byte	Size		Mnemonic	Code																
	Word	Long word																		
○	○	×	LDIR<W>[(XDE+), (XHL+)]	<table border="1"> <tr> <td>1</td><td>0</td><td>0</td><td>z</td><td>0</td><td>0</td><td>1</td><td>1</td> </tr> <tr> <td>0</td><td>0</td><td>0</td><td>1</td><td>0</td><td>0</td><td>0</td><td>1</td> </tr> </table>	1	0	0	z	0	0	1	1	0	0	0	1	0	0	0	1
1	0	0	z	0	0	1	1													
0	0	0	1	0	0	0	1													
○	○	×	LDIR<W> (XIX+), (XIY+)	<table border="1"> <tr> <td>1</td><td>0</td><td>0</td><td>z</td><td>0</td><td>1</td><td>0</td><td>1</td> </tr> <tr> <td>0</td><td>0</td><td>0</td><td>1</td><td>0</td><td>0</td><td>0</td><td>1</td> </tr> </table>	1	0	0	z	0	1	0	1	0	0	0	1	0	0	0	1
1	0	0	z	0	1	0	1													
0	0	0	1	0	0	0	1													

* Coding in square brackets [] can be omitted.

Note : Interrupt requests are sampled every time 1 item of data is loaded.

Flags : S Z H V N C

-	-	0	0	0	-
---	---	---	---	---	---

S = No change

Z = No change

H = Cleared to zero.

V = Cleared to zero.

N = Cleared to zero.

C = No change

Execution example: LDIR (XIX+), (XIY+)

When the XIX register = 00123456H, the XIY register = 00335577H, and the BC register = 0003H, execution results as follows:

Loads the contents of address 335577H to 123456H.

Loads the contents of address 335578H to 123457H.

Loads the contents of address 335579H to 123458H.

Sets the XIX register to 00123459H.

Sets the XIY register to 0033557AH.

Sets the BC register to 0000H.

LDD dst, src

< Load Decrement >

Operation : $dst \leftarrow src, BC \leftarrow BC - 1$

Description : Loads the contents of src to dst, then decrements the contents of the BC register by 1. src and dst must be in post-decrement register indirect addressing mode.

Details :

Byte	Size		Mnemonic	Code																
	Word	Long word																		
○	○	×	LDD<W> [(XDE-), (XHL-)]	<table border="1"> <tr><td>1</td><td>0</td><td>0</td><td>z</td><td>0</td><td>0</td><td>1</td><td>1</td></tr> <tr><td>0</td><td>0</td><td>0</td><td>1</td><td>0</td><td>0</td><td>1</td><td>0</td></tr> </table>	1	0	0	z	0	0	1	1	0	0	0	1	0	0	1	0
1	0	0	z	0	0	1	1													
0	0	0	1	0	0	1	0													
			LDD<W> (XIX-), (XIY-)	<table border="1"> <tr><td>1</td><td>0</td><td>0</td><td>z</td><td>0</td><td>1</td><td>0</td><td>1</td></tr> <tr><td>0</td><td>0</td><td>0</td><td>1</td><td>0</td><td>0</td><td>1</td><td>0</td></tr> </table>	1	0	0	z	0	1	0	1	0	0	0	1	0	0	1	0
1	0	0	z	0	1	0	1													
0	0	0	1	0	0	1	0													

* Coding in square brackets [] can be omitted.

Flags : S Z H V N C

-	-	0	*	0	-
---	---	---	---	---	---

S = No change

Z = No change

H = Cleared to 0.

V = 0 is set if the BC register value is 0 after execution, otherwise 1.

N = Cleared to zero.

C = No change

Execution example: LDD (XIX-), (XIY-)

When the XIX register = 00123456H, the XIY register = 00335577H, and the BC register = 0700H, execution loads the contents at address 335577 to address 123456H and sets the XIX register to 123455H, the XIY register to 00335576H, and the BC register to 06FFH.

LDDR dst, src

< Load Decrement Repeat >

Operation : $dst \leftarrow src, BC \leftarrow BC - 1$, Repeat until $BC = 0$

Description : Loads the contents of src to dst, then decrements the contents of the BC register by 1. If the result is other than 0, the operation is repeated. src and dst must be in post-decrement register indirect addressing mode.

Details :

Byte	Size		Mnemonic	Code																
	Word	Long word																		
○	○	×	LDDR<W>[(XDE-), (XHL-)]	<table border="1"> <tr><td>1</td><td>0</td><td>0</td><td>z</td><td>0</td><td>0</td><td>1</td><td>1</td></tr> <tr><td>0</td><td>0</td><td>0</td><td>1</td><td>0</td><td>0</td><td>1</td><td>1</td></tr> </table>	1	0	0	z	0	0	1	1	0	0	0	1	0	0	1	1
1	0	0	z	0	0	1	1													
0	0	0	1	0	0	1	1													
○	○	×	LDDR<W> (XIX-), (XIY-)	<table border="1"> <tr><td>1</td><td>0</td><td>0</td><td>z</td><td>0</td><td>1</td><td>0</td><td>1</td></tr> <tr><td>0</td><td>0</td><td>0</td><td>1</td><td>0</td><td>0</td><td>1</td><td>1</td></tr> </table>	1	0	0	z	0	1	0	1	0	0	0	1	0	0	1	1
1	0	0	z	0	1	0	1													
0	0	0	1	0	0	1	1													

* Coding in square brackets [] can be omitted.

Note : Interrupt requests are sampled every time 1 item of data is loaded.

Flags : S Z H V N C

-	-	0	0	0	-
---	---	---	---	---	---

S = No change

Z = No change

H = Cleared to zero.

V = Cleared to zero.

N = Cleared to zero.

C = No change

Execution example: LDDR (XIX-), (XIY-)

When the XIX register = 00123456H, the XIY register = 00335577H, and the BC register = 0003H, the results of the execution are as follows:

Loads the contents of address 335577H to 123456H.

Loads the contents of address 335576H to 123455H.

Loads the contents of address 335575H to 123454H.

Sets the XIX register to 00123453H.

Sets the XIY register to 00335574H.

Sets the BC register to 0000H.

CPI src1, src2

< Compare Increment >

Operation : src1-src2, BC ← BC - 1

Description : Compares the contents of src1 with those of src2, then decrements the contents of the BC register by 1. src1 must be the A or WA register. src2 must be in post-increment register indirect addressing mode.

Details :

Size			Mnemonic	Code																
Byte	Word	Long word																		
○	○	×	CPI	[A/WA, (R+)]																
				<table border="1" style="display: inline-table; vertical-align: middle;"> <tr> <td>1</td><td>0</td><td>0</td><td>z</td><td>0</td><td></td><td>R</td><td></td> </tr> <tr> <td>0</td><td>0</td><td>0</td><td>1</td><td>0</td><td>1</td><td>0</td><td>0</td> </tr> </table>	1	0	0	z	0		R		0	0	0	1	0	1	0	0
1	0	0	z	0		R														
0	0	0	1	0	1	0	0													

Note : Omitting operands enclosed in square brackets [] specifies A,(XHL+).

Flags : S Z H V N C

*	*	*	*	1	-
---	---	---	---	---	---

S = MSB value of the result of src1-src2 is set.

Z = 1 is set if the result of src1-src2 is 0, otherwise 0.

H = 1 is set if a borrow from bit 3 to bit 4 occurs as a result of src1-src2, otherwise 0.

V = 0 is set if the BC register value is 0 after execution, otherwise 1.

N = 1 is set.

C = No change

Execution example: CPI A, (XIX+)

When the XIX register = 00123456H and the BC register = 0200H, execution compares the contents of the A register with those of memory address 123456H, and sets the XIX register to 00123457H and the BC register to 01FFH.

CPIR src1, src2

< Compare Increment Repeat >

Operation : src1-src2, BC ← BC - 1, repeat until src1 = src2 or BC = 0

Description : Compares the contents of src1 with those of src2. Then decrements the contents of the BC register by 1. Repeats until src1 = src2 or BC = 0. src1 must be the A or WA register. src2 must be in post-increment register indirect addressing mode.

Details :

			Mnemonic	Code																
Byte	Size Word	Long word																		
○	○	×	CPIR [A/WA, (R+)]	<table border="1" style="display: inline-table; border-collapse: collapse;"> <tr> <td>1</td><td>0</td><td>0</td><td>z</td><td>0</td><td></td><td>R</td><td></td> </tr> <tr> <td>0</td><td>0</td><td>0</td><td>1</td><td>0</td><td>1</td><td>0</td><td>1</td> </tr> </table>	1	0	0	z	0		R		0	0	0	1	0	1	0	1
1	0	0	z	0		R														
0	0	0	1	0	1	0	1													

Note : Omitting operands in square brackets [] specifies A,(XHL+).

Flags : S Z H V N C

*	*	*	*	1	-
---	---	---	---	---	---

S = MSB value of the result of src1-src2 is set.

Z = 1 is set if the result of src1-src2 is 0, otherwise 0.

H = 1 is set if a borrow from bit 3 to bit 4 occurs as a result of src1-src2, otherwise 0.

V = 0 is set if the BC register value is 0 after execution, otherwise 1.

N = 1 is set.

C = No change

Execution example: CPIR A,(XIX+)

Under the following conditions, execution reads memory addresses 123456H, 123457H, and 123458H. The instruction ends with condition src1 = src2, sets the XIX register to 00123459H and the BC register to 01FDH.

Conditions : A register = 33H

XIX register = 00123456

HBC register = 0200H

Memory address 123456H = 11H

Memory address 123457H = 22H

Memory address 123458H = 33H

CPD src1, src2

< Compare Decrement >

Operation : $\text{src1} - \text{src2}, \text{BC} \leftarrow \text{BC} - 1$

Description : Compares the contents of src1 with those of src2, then decrements the contents of the BC register by 1. src1 must be the A or WA register. src2 must be in post-decrement register indirect addressing mode.

Details :

Byte	Size		Mnemonic	Code																
	Word	Long word																		
○	○	×	CPD [A/WA, (R-)]	<table border="1"> <tr> <td>1</td><td>0</td><td>0</td><td>z</td><td>0</td><td></td><td>R</td><td></td> </tr> <tr> <td>0</td><td>0</td><td>0</td><td>1</td><td>0</td><td>1</td><td>1</td><td>0</td> </tr> </table>	1	0	0	z	0		R		0	0	0	1	0	1	1	0
1	0	0	z	0		R														
0	0	0	1	0	1	1	0													

Note : Omitting operands in square brackets [] specifies A,(XHL-).

Flags : S Z H V N C

*	*	*	*	1	-
---	---	---	---	---	---

S = MSB value of the result of src1-src2 is set.

Z = 1 is set if the result of src1-src2 is 0, otherwise 0.

H = 1 is set if a borrow from bit 3 to bit 4 occurs as a result of src1-src2, otherwise 0.

V = 0 is set if the BC register value is 0 after execution, otherwise 1.

N = 1 is set.

C = No change

Execution example: CPI A,(XIX-)

When the XIX register = 00123456H and the BC register = 0200H, execution compares the contents of the A register with those of memory address 123456H, then sets the XIX register to 00123455H, the BC register to 01FFH.

CPDR src1, src2

< Compare Decrement Repeat >

Operation : src1 - src2, BC ← BC - 1, Repeat until src1 = src2 or BC = 0

Description : Compares the contents of src1 with those of src2. Then decrements the contents of the BC register by 1. Repeats until src1 = src2 or BC = 0. src1 must be the A or WA register. src2 must be in post-decrement register indirect addressing mode.

Details :

Byte	Size		Mnemonic	Code																
	Word	Long word																		
○	○	×	CPDR [A/WA, (R-)]	<table border="1" style="display: inline-table; vertical-align: middle;"> <tr> <td>1</td><td>0</td><td>0</td><td>z</td><td>0</td><td></td><td>R</td><td></td> </tr> <tr> <td>0</td><td>0</td><td>0</td><td>1</td><td>0</td><td>1</td><td>1</td><td>1</td> </tr> </table>	1	0	0	z	0		R		0	0	0	1	0	1	1	1
1	0	0	z	0		R														
0	0	0	1	0	1	1	1													

Note : Omitting operands in square brackets [] specifies A,(XHL-).

Flags : S Z H V N C

*	*	*	*	1	-
---	---	---	---	---	---

S = MSB value of the result of src1 - src2 is set.

Z = 1 is set if the result of src1 - src2 is 0, otherwise 0.

H = 1 is set if a borrow from bit 3 to bit 4 occurs as a result of src1 - src2, otherwise 0.

V = 0 is set if the BC register value is 0 after execution, otherwise 1.

N = 1 is set.

C = No change

Execution example: CPDR A,(XIX-)

Under the following conditions, execution reads the contents of memory addresses 123456H, 123455H, and 123454H. The instruction ends with condition BC = 0 and sets the XIX register to 00123453H and the BC register to 0000H.

Conditions : A register = 55H

XIX register = 00123456H

BC register = 0003H

Memory address 123456H = 11H

Memory address 123455H = 22H

Memory address 123454H = 33H

ADD dst, src

< Add >

Operation : $dst \leftarrow dst + src$

Description : Adds the contents of dst to those of src and transfers the result to dst.

Details :

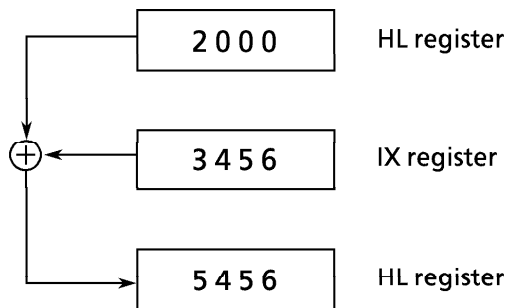
Size		Mnemonic	Code																																						
Byte	Word																																								
○	○	ADD R, r	<table border="1"> <tr> <td>1</td><td>1</td><td>z</td><td>z</td><td>1</td><td>r</td> </tr> <tr> <td>1</td><td>0</td><td>0</td><td>0</td><td>0</td><td>R</td> </tr> </table>	1	1	z	z	1	r	1	0	0	0	0	R																										
1	1	z	z	1	r																																				
1	0	0	0	0	R																																				
○	○	ADD r, #	<table border="1"> <tr> <td>1</td><td>1</td><td>z</td><td>z</td><td>1</td><td>r</td> </tr> <tr> <td>1</td><td>1</td><td>0</td><td>0</td><td>1</td><td>0</td><td>0</td><td>0</td> </tr> <tr> <td colspan="6"># <7:0></td> </tr> <tr> <td colspan="6"># <15:8></td> </tr> <tr> <td colspan="6"># <23:16></td> </tr> <tr> <td colspan="6"># <31:24></td> </tr> </table>	1	1	z	z	1	r	1	1	0	0	1	0	0	0	# <7:0>						# <15:8>						# <23:16>						# <31:24>					
1	1	z	z	1	r																																				
1	1	0	0	1	0	0	0																																		
# <7:0>																																									
# <15:8>																																									
# <23:16>																																									
# <31:24>																																									
○	○	ADD R, (mem)	<table border="1"> <tr> <td>1</td><td>m</td><td>z</td><td>z</td><td>m</td><td>m</td><td>m</td><td>m</td> </tr> <tr> <td>1</td><td>0</td><td>0</td><td>0</td><td>0</td><td>R</td> </tr> </table>	1	m	z	z	m	m	m	m	1	0	0	0	0	R																								
1	m	z	z	m	m	m	m																																		
1	0	0	0	0	R																																				
○	○	ADD (mem), R	<table border="1"> <tr> <td>1</td><td>m</td><td>z</td><td>z</td><td>m</td><td>m</td><td>m</td><td>m</td> </tr> <tr> <td>1</td><td>0</td><td>0</td><td>0</td><td>1</td><td>R</td> </tr> </table>	1	m	z	z	m	m	m	m	1	0	0	0	1	R																								
1	m	z	z	m	m	m	m																																		
1	0	0	0	1	R																																				
○	○	ADD <W> (mem), #	<table border="1"> <tr> <td>1</td><td>m</td><td>0</td><td>z</td><td>m</td><td>m</td><td>m</td><td>m</td> </tr> <tr> <td>0</td><td>0</td><td>1</td><td>1</td><td>1</td><td>0</td><td>0</td><td>0</td> </tr> <tr> <td colspan="6"># <7:0></td> </tr> <tr> <td colspan="6"># <15:8></td> </tr> </table>	1	m	0	z	m	m	m	m	0	0	1	1	1	0	0	0	# <7:0>						# <15:8>															
1	m	0	z	m	m	m	m																																		
0	0	1	1	1	0	0	0																																		
# <7:0>																																									
# <15:8>																																									

Flags : S Z H V N C

*	*	*	*	0	*
---	---	---	---	---	---

- S = MSB value of the result is set.
- Z = 1 is set if the result is 0, otherwise 0.
- H = 1 is set if a carry from bit 3 to bit 4 occurs as a result of the operation, otherwise 0. If the operand is 32-bit, an undefined value is set.
- V = 1 is set if an overflow occurs as a result of the operation, otherwise 0.
- N = Cleared to zero.
- C = 1 is set if a carry occurs from the MSB, otherwise 0.

Execution example: ADD HL,IX
 When the HL register = 2000H and the IX register = 3456H, execution sets the HL register to 5456H.



ADC dst, src

< Add with Carry >

Operation : $dst \leftarrow dst + src + CY$

Description : Adds the contents of dst, src, and carry flag, and transfers the result to dst.

Details :

Byte	Size		Mnemonic		Code																																						
	Word	Long word																																									
○	○	○	ADC	R, r	<table border="1"> <tr> <td>1</td><td>1</td><td>z</td><td>z</td><td>1</td><td>r</td> </tr> <tr> <td>1</td><td>0</td><td>0</td><td>1</td><td>0</td><td>R</td> </tr> </table>	1	1	z	z	1	r	1	0	0	1	0	R																										
1	1	z	z	1	r																																						
1	0	0	1	0	R																																						
○	○	○	ADC	r, #	<table border="1"> <tr> <td>1</td><td>1</td><td>z</td><td>z</td><td>1</td><td>r</td> </tr> <tr> <td>1</td><td>1</td><td>0</td><td>0</td><td>1</td><td>0</td><td>0</td><td>1</td> </tr> <tr> <td colspan="6"># <7:0></td> </tr> <tr> <td colspan="6"># <15:8></td> </tr> <tr> <td colspan="6"># <23:16></td> </tr> <tr> <td colspan="6"># <31:24></td> </tr> </table>	1	1	z	z	1	r	1	1	0	0	1	0	0	1	# <7:0>						# <15:8>						# <23:16>						# <31:24>					
1	1	z	z	1	r																																						
1	1	0	0	1	0	0	1																																				
# <7:0>																																											
# <15:8>																																											
# <23:16>																																											
# <31:24>																																											
○	○	○	ADC	R, (mem)	<table border="1"> <tr> <td>1</td><td>m</td><td>z</td><td>z</td><td>m</td><td>m</td><td>m</td><td>m</td> </tr> <tr> <td>1</td><td>0</td><td>0</td><td>1</td><td>0</td><td>R</td> </tr> </table>	1	m	z	z	m	m	m	m	1	0	0	1	0	R																								
1	m	z	z	m	m	m	m																																				
1	0	0	1	0	R																																						
○	○	○	ADC	(mem), R	<table border="1"> <tr> <td>1</td><td>m</td><td>z</td><td>z</td><td>m</td><td>m</td><td>m</td><td>m</td> </tr> <tr> <td>1</td><td>0</td><td>0</td><td>1</td><td>1</td><td>R</td> </tr> </table>	1	m	z	z	m	m	m	m	1	0	0	1	1	R																								
1	m	z	z	m	m	m	m																																				
1	0	0	1	1	R																																						
○	○	×	ADC<W>	(mem), #	<table border="1"> <tr> <td>1</td><td>m</td><td>0</td><td>z</td><td>m</td><td>m</td><td>m</td><td>m</td> </tr> <tr> <td>0</td><td>0</td><td>1</td><td>1</td><td>1</td><td>0</td><td>0</td><td>1</td> </tr> <tr> <td colspan="6"># <7:0></td> </tr> <tr> <td colspan="6"># <15:8></td> </tr> </table>	1	m	0	z	m	m	m	m	0	0	1	1	1	0	0	1	# <7:0>						# <15:8>															
1	m	0	z	m	m	m	m																																				
0	0	1	1	1	0	0	1																																				
# <7:0>																																											
# <15:8>																																											

Flags:

S	Z	H	V	N	C
*	*	*	*	0	*

S = MSB value of the result is set.

Z = 1 is set if the result is 0, otherwise 0.

H = 1 is set if a carry from bit 3 to bit 4 occurs as a result of the operation; otherwise, 0. If the operand is 32-bit, an undefined value is set.

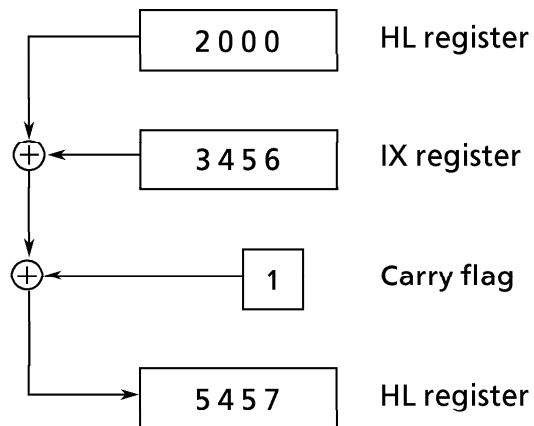
V = 1 is set if an overflow occurs as a result of the operation; otherwise, 0.

N = Cleared to zero.

C = 1 is set if a carry occurs from the MSB, otherwise 0.

Execution example: ADC HL,IX

When the HL register = 2000H, the IX register = 3456H, and the carry flag = 1, execution sets the HL register to 5457H.



SUB dst, src

< Subtract >

Operation : $dst \leftarrow dst - src$

Description : Subtracts the contents of src from those of dst and loads the result to dst.

Details :

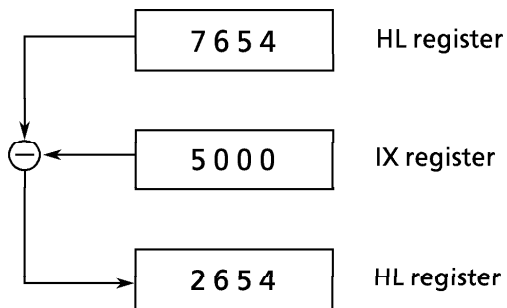
Byte	Size		Mnemonic		Code																																																
	Word	Long word																																																			
○	○	○	SUB	R, r	<table border="1"> <tr> <td>1</td><td>1</td><td>z</td><td>z</td><td>1</td><td></td><td>r</td><td></td> </tr> <tr> <td>1</td><td>0</td><td>1</td><td>0</td><td>0</td><td></td><td>R</td><td></td> </tr> </table>	1	1	z	z	1		r		1	0	1	0	0		R																																	
1	1	z	z	1		r																																															
1	0	1	0	0		R																																															
○	○	○	SUB	r, #	<table border="1"> <tr> <td>1</td><td>1</td><td>z</td><td>z</td><td>1</td><td></td><td>r</td><td></td> </tr> <tr> <td>1</td><td>1</td><td>0</td><td>0</td><td>1</td><td>0</td><td>1</td><td>0</td> </tr> <tr> <td colspan="8"># <7:0></td> </tr> <tr> <td colspan="8"># <15:8></td> </tr> <tr> <td colspan="8"># <23:16></td> </tr> <tr> <td colspan="8"># <31:24></td> </tr> </table>	1	1	z	z	1		r		1	1	0	0	1	0	1	0	# <7:0>								# <15:8>								# <23:16>								# <31:24>							
1	1	z	z	1		r																																															
1	1	0	0	1	0	1	0																																														
# <7:0>																																																					
# <15:8>																																																					
# <23:16>																																																					
# <31:24>																																																					
○	○	○	SUB	R, (mem)	<table border="1"> <tr> <td>1</td><td>m</td><td>z</td><td>z</td><td>m</td><td>m</td><td>m</td><td>m</td> </tr> <tr> <td>1</td><td>0</td><td>1</td><td>0</td><td>0</td><td></td><td>R</td><td></td> </tr> </table>	1	m	z	z	m	m	m	m	1	0	1	0	0		R																																	
1	m	z	z	m	m	m	m																																														
1	0	1	0	0		R																																															
○	○	○	SUB	(mem), R	<table border="1"> <tr> <td>1</td><td>m</td><td>z</td><td>z</td><td>m</td><td>m</td><td>m</td><td>m</td> </tr> <tr> <td>1</td><td>0</td><td>1</td><td>0</td><td>1</td><td></td><td>R</td><td></td> </tr> </table>	1	m	z	z	m	m	m	m	1	0	1	0	1		R																																	
1	m	z	z	m	m	m	m																																														
1	0	1	0	1		R																																															
○	○	×	SUB<W>	(mem), #	<table border="1"> <tr> <td>1</td><td>m</td><td>0</td><td>z</td><td>m</td><td>m</td><td>m</td><td>m</td> </tr> <tr> <td>0</td><td>0</td><td>1</td><td>1</td><td>1</td><td>0</td><td>1</td><td>0</td> </tr> <tr> <td colspan="8"># <7:0></td> </tr> <tr> <td colspan="8"># <15:8></td> </tr> </table>	1	m	0	z	m	m	m	m	0	0	1	1	1	0	1	0	# <7:0>								# <15:8>																							
1	m	0	z	m	m	m	m																																														
0	0	1	1	1	0	1	0																																														
# <7:0>																																																					
# <15:8>																																																					

Flags : S Z H V N C

*	*	*	*	1	*
---	---	---	---	---	---

- S = MSB value of the result is set.
- Z = 1 is set when the result is 0, otherwise 0.
- H = 1 is set when a borrow from bit 3 to bit 4 occurs as a result, otherwise 0.
When the operand is 32 bits, an undefined value is set.
- V = 1 is set when an overflow occurs as a result, otherwise 0.
- N = 1 is set.
- C = 1 is set when a borrow from MSB occurs as a result, otherwise 0.

Execution example: SUB HL, IX
 When the HL register = 7654H and the IX register = 5000H,
 execution sets the HL register to 2654H.



SBC dst, src

< Subtract with Carry >

Operation : $dst \leftarrow dst - src - CY$

Description : Subtracts the contents of src and the carry flag from those of dst, and loads the result to dst.

Details :

Byte	Size		Mnemonic		Code																																				
	Word	Long word																																							
<input type="radio"/>	<input type="radio"/>	<input type="radio"/>	SBC	R, r	<table border="1"> <tr> <td>1</td><td>1</td><td>z</td><td>z</td><td>1</td><td>r</td> </tr> <tr> <td>1</td><td>0</td><td>1</td><td>1</td><td>0</td><td>R</td> </tr> </table>	1	1	z	z	1	r	1	0	1	1	0	R																								
1	1	z	z	1	r																																				
1	0	1	1	0	R																																				
<input type="radio"/>	<input type="radio"/>	<input type="radio"/>	SBC	r, #	<table border="1"> <tr> <td>1</td><td>1</td><td>z</td><td>z</td><td>1</td><td>r</td> </tr> <tr> <td>1</td><td>1</td><td>0</td><td>0</td><td>1</td><td>0</td> </tr> <tr> <td colspan="6"># <7:0></td> </tr> <tr> <td colspan="6"># <15:8></td> </tr> <tr> <td colspan="6"># <23:16></td> </tr> <tr> <td colspan="6"># <31:24></td> </tr> </table>	1	1	z	z	1	r	1	1	0	0	1	0	# <7:0>						# <15:8>						# <23:16>						# <31:24>					
1	1	z	z	1	r																																				
1	1	0	0	1	0																																				
# <7:0>																																									
# <15:8>																																									
# <23:16>																																									
# <31:24>																																									
<input type="radio"/>	<input type="radio"/>	<input type="radio"/>	SBC	R, (mem)	<table border="1"> <tr> <td>1</td><td>m</td><td>z</td><td>z</td><td>m</td><td>m</td><td>m</td><td>m</td> </tr> <tr> <td>1</td><td>0</td><td>1</td><td>1</td><td>0</td><td>R</td> </tr> </table>	1	m	z	z	m	m	m	m	1	0	1	1	0	R																						
1	m	z	z	m	m	m	m																																		
1	0	1	1	0	R																																				
<input type="radio"/>	<input type="radio"/>	<input type="radio"/>	SBC	(mem), R	<table border="1"> <tr> <td>1</td><td>m</td><td>z</td><td>z</td><td>m</td><td>m</td><td>m</td><td>m</td> </tr> <tr> <td>1</td><td>0</td><td>1</td><td>1</td><td>1</td><td>R</td> </tr> </table>	1	m	z	z	m	m	m	m	1	0	1	1	1	R																						
1	m	z	z	m	m	m	m																																		
1	0	1	1	1	R																																				
<input type="radio"/>	<input type="radio"/>	<input checked="" type="radio"/>	SBC <W>	(mem), #	<table border="1"> <tr> <td>1</td><td>m</td><td>0</td><td>z</td><td>m</td><td>m</td><td>m</td><td>m</td> </tr> <tr> <td>0</td><td>0</td><td>1</td><td>1</td><td>1</td><td>0</td><td>1</td><td>1</td> </tr> <tr> <td colspan="8"># <7:0></td> </tr> <tr> <td colspan="8"># <15:8></td> </tr> </table>	1	m	0	z	m	m	m	m	0	0	1	1	1	0	1	1	# <7:0>								# <15:8>											
1	m	0	z	m	m	m	m																																		
0	0	1	1	1	0	1	1																																		
# <7:0>																																									
# <15:8>																																									

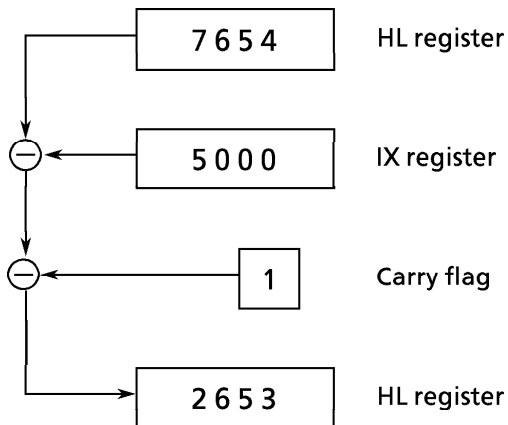
Flags : S Z H V N C

*	*	*	*	1	*
---	---	---	---	---	---

- S = MSB value of the result is set.
- Z = 1 is set when the result is 0, otherwise 0.
- H = 1 is set when a borrow from bit 3 to bit 4 occurs as a result, otherwise 0.
When the operand is 32 bits, an undefined value is set.
- V = 1 is set when an overflow occurs as a result, otherwise 0.
- N = 1 is set.
- C = 1 is set when a borrow from the MSB occurs as a result, otherwise 0.

Execution example: SBC HL, IX

When the HL register is 7654H, the IX register = 5000H, and the carry flag = 1, execution sets the HL register to 2653H.



CP src1, src2

< Compare >

Operation : src1 – src2

Description : Compares the contents of src1 with those of src2 and indicates the results in flag register F.

Details :

Byte	Size		Mnemonic	Code																																				
	Word	Long word																																						
○	○	○	CP R, r	<table border="1"> <tr><td>1</td><td>1</td><td>z</td><td>z</td><td>1</td><td>r</td></tr> <tr><td>1</td><td>1</td><td>1</td><td>1</td><td>0</td><td>R</td></tr> </table>	1	1	z	z	1	r	1	1	1	1	0	R																								
1	1	z	z	1	r																																			
1	1	1	1	0	R																																			
○	○	×	CP r, #3	<table border="1"> <tr><td>1</td><td>1</td><td>0</td><td>z</td><td>1</td><td>r</td></tr> <tr><td>1</td><td>1</td><td>0</td><td>1</td><td>1</td><td>#3</td></tr> </table>	1	1	0	z	1	r	1	1	0	1	1	#3																								
1	1	0	z	1	r																																			
1	1	0	1	1	#3																																			
○	○	○	CP r, #	<table border="1"> <tr><td>1</td><td>1</td><td>z</td><td>z</td><td>1</td><td>r</td></tr> <tr><td>1</td><td>1</td><td>0</td><td>0</td><td>1</td><td>1</td></tr> <tr><td colspan="6"># <7:0></td></tr> <tr><td colspan="6"># <15:8></td></tr> <tr><td colspan="6"># <23:16></td></tr> <tr><td colspan="6"># <31:24></td></tr> </table>	1	1	z	z	1	r	1	1	0	0	1	1	# <7:0>						# <15:8>						# <23:16>						# <31:24>					
1	1	z	z	1	r																																			
1	1	0	0	1	1																																			
# <7:0>																																								
# <15:8>																																								
# <23:16>																																								
# <31:24>																																								
○	○	○	CP R, (mem)	<table border="1"> <tr><td>1</td><td>m</td><td>z</td><td>z</td><td>m</td><td>m</td><td>m</td><td>m</td></tr> <tr><td>1</td><td>1</td><td>1</td><td>1</td><td>0</td><td>R</td></tr> </table>	1	m	z	z	m	m	m	m	1	1	1	1	0	R																						
1	m	z	z	m	m	m	m																																	
1	1	1	1	0	R																																			
○	○	○	CP (mem), R	<table border="1"> <tr><td>1</td><td>m</td><td>z</td><td>z</td><td>m</td><td>m</td><td>m</td><td>m</td></tr> <tr><td>1</td><td>1</td><td>1</td><td>1</td><td>1</td><td>R</td></tr> </table>	1	m	z	z	m	m	m	m	1	1	1	1	1	R																						
1	m	z	z	m	m	m	m																																	
1	1	1	1	1	R																																			
○	○	×	CP <W> (mem), #	<table border="1"> <tr><td>1</td><td>m</td><td>0</td><td>z</td><td>m</td><td>m</td><td>m</td><td>m</td></tr> <tr><td>0</td><td>0</td><td>1</td><td>1</td><td>1</td><td>1</td><td>1</td><td>1</td></tr> <tr><td colspan="8"># <7:0></td></tr> <tr><td colspan="8"># <15:8></td></tr> </table>	1	m	0	z	m	m	m	m	0	0	1	1	1	1	1	1	# <7:0>								# <15:8>											
1	m	0	z	m	m	m	m																																	
0	0	1	1	1	1	1	1																																	
# <7:0>																																								
# <15:8>																																								

Note : #3 in operands indicates from 0 to 7.

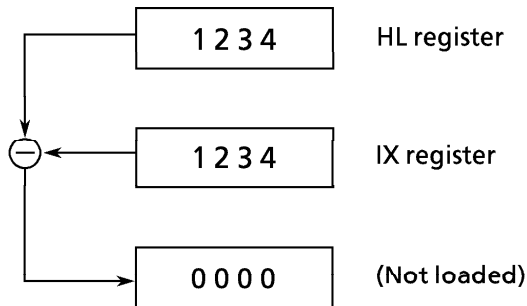
Flags : S Z H V N C

*	*	*	*	1	*
---	---	---	---	---	---

- S = MSB value of the result is set.
- Z = 1 is set if the result is 0, otherwise 0.
- H = 1 is set if a borrow from bit 3 to bit 4 occurs as a result of the operation, otherwise 0. If the operand is 32 bits, an undefined value is set.
- V = 1 is set if an overflow occurs as a result of the operation, otherwise 0.
- N = 1 is set.
- C = 1 is set if a borrow occurs from the MSB bit as a result of the operation, otherwise 0.

Execution example: CP HL,IX

When the HL register = 1234H and the IX register = 1234H, execution sets the Z and N flags to 1 and clears the S, H, V, and C flags to zero.



INC num, dst

< Increment >

Operation : dst ← dst + num

Description : Adds the contents of dst and num and transfers the result to dst.

Details :

	Size			Mnemonic	Code															
	Byte	Word	Long word																	
<input type="radio"/>	<input type="radio"/>	<input type="radio"/>		INC #3, r	<table border="1"> <tr> <td>1</td><td>1</td><td>z</td><td>z</td><td>1</td><td></td><td>r</td> </tr> <tr> <td>0</td><td>1</td><td>1</td><td>0</td><td>0</td><td></td><td>#3</td> </tr> </table>	1	1	z	z	1		r	0	1	1	0	0		#3	
1	1	z	z	1		r														
0	1	1	0	0		#3														
<input type="radio"/>	<input type="radio"/>	×		INC<W> #3, (mem)	<table border="1"> <tr> <td>1</td><td>m</td><td>0</td><td>z</td><td>m</td><td>m</td><td>m</td><td>m</td> </tr> <tr> <td>0</td><td>1</td><td>1</td><td>0</td><td>0</td><td></td><td>#3</td> </tr> </table>	1	m	0	z	m	m	m	m	0	1	1	0	0		#3
1	m	0	z	m	m	m	m													
0	1	1	0	0		#3														

Note : #3 in operands indicates from 1 to 8 and object codes correspond from 1 to 7,0.

Flags : S Z H V N C

*	*	*	*	0	-
---	---	---	---	---	---

S = MSB value of the result is set.

Z = 1 is set if the result is 0, otherwise 0.

H = 1 is set if a carry occurs from bit 3 to bit 4 as a result of the operation, otherwise 0.

V = 1 is set if an overflow occurs as a result of the operation, otherwise 0.

N = Cleared to zero.

C = No change

Note : With the INC #3,r instruction, if the operand is a word or a long word, no flags change.

Execution exampl : INC 5,WA

When the WA register = 1234H, execution sets the WA register to 1239H.

DEC num, dst

< Decrement >

Operation : $dst \leftarrow dst - num$

Description : Decrements dst by the contents of num and transfers the result to dst.

Details :

Byte	Size		Mnemonic	Code														
	Word	Long word																
<input type="radio"/>	<input type="radio"/>	<input type="radio"/>	DEC #3, r	<table border="1"> <tr> <td>1</td><td>1</td><td>z</td><td>z</td><td>1</td><td>r</td> </tr> <tr> <td>0</td><td>1</td><td>1</td><td>0</td><td>1</td><td>#3</td> </tr> </table>	1	1	z	z	1	r	0	1	1	0	1	#3		
1	1	z	z	1	r													
0	1	1	0	1	#3													
<input type="radio"/>	<input type="radio"/>	<input checked="" type="radio"/>	DEC<W> #3, (mem)	<table border="1"> <tr> <td>1</td><td>m</td><td>0</td><td>z</td><td>m</td><td>m</td><td>m</td><td>m</td> </tr> <tr> <td>0</td><td>1</td><td>1</td><td>0</td><td>1</td><td>#3</td> </tr> </table>	1	m	0	z	m	m	m	m	0	1	1	0	1	#3
1	m	0	z	m	m	m	m											
0	1	1	0	1	#3													

Note : #3 in operands indicates from 1 to 8; object codes correspond from 1 to 7,0.

Flags : S Z H V N C

*	*	*	*	1	-
---	---	---	---	---	---

S = MSB value of the result is set.

Z = 1 is set if the result is 0, otherwise 0.

H = 1 is set if a borrow from bit 3 to bit 4 occurs as a result of the operation, otherwise 0.

V = 1 is set if an overflow occurs as a result of the operation, otherwise 0.

N = 1 is set.

C = No change

Note : With the DEC #3, r instruction, if the operand is a word or a long word, no flags change.

Execution example: DEC 4, HL

When the HL register = 5678H, execution sets the HL register to 5674H.

NEG dst

< Negate >

Operation : $dst \leftarrow 0 - dst$

Description : Decrements 0 by the contents of dst and loads the result to dst.
(Twos complement)

Details :

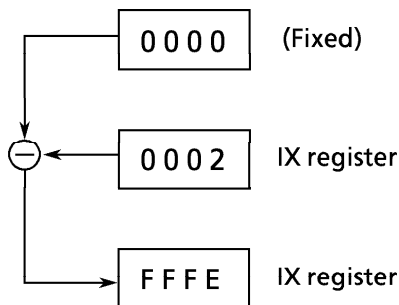
Byte	Size		Mnemonic	Code														
	Word	Long word																
○	○	×	NEG r	<table border="1" style="display: inline-table; vertical-align: middle;"> <tr> <td>1</td><td>1</td><td>0</td><td>z</td><td>1</td><td>r</td> </tr> <tr> <td>0</td><td>0</td><td>0</td><td>0</td><td>0</td><td>1</td><td>1</td><td>1</td> </tr> </table>	1	1	0	z	1	r	0	0	0	0	0	1	1	1
1	1	0	z	1	r													
0	0	0	0	0	1	1	1											

Flags : S Z H V N C

*	*	*	*	1	*
---	---	---	---	---	---

- S = MSB value of the result is set.
- Z = 1 is set when the result is 0, otherwise 0.
- H = 1 is set when a borrow from bit 3 to bit 4 occurs as a result, otherwise 0.
- V = 1 is set when an overflow occurs as a result, otherwise 0.
- N = 1 is set.
- C = 1 is set when a borrow from the MSB occurs as a result, otherwise 0.

Execution example: NEG IX
When the IX register = 0002H, execution sets the IX register to FFFE H.



EXTZ dst

< Extend Zero >

Operation : dst < upper half > ← 0

Description : Clears the upper half of dst to zero. Used for making the operand sizes the same when they are different.

Details :

Byte	Size		Mnemonic	Code														
	Word	Long word																
×	○	○	EXTZ r	<table border="1"> <tr> <td>1</td><td>1</td><td>z</td><td>z</td><td>1</td><td>r</td> </tr> <tr> <td>0</td><td>0</td><td>0</td><td>1</td><td>0</td><td>0</td><td>1</td><td>0</td> </tr> </table>	1	1	z	z	1	r	0	0	0	1	0	0	1	0
1	1	z	z	1	r													
0	0	0	1	0	0	1	0											

Flags : S Z H V N C

-	-	-	-	-	-
---	---	---	---	---	---

S = No change

Z = No change

H = No change

V = No change

N = No change

C = No change

Execution example: EXTZ HL

When the HL register = 6789H, execution sets the HL register to 0089H.

EXTZ XIX

When the XIX register = 12345678H, execution sets the XIX register to 00005678H.

EXTS dst

< Extend Sign >

Operation : dst <upper half> ← signed bit of dst <lower half>

Description : Transfers (copies) the signed bit (bit 7 when the operand size is a word, bit 15 when a long word) of the lower half of dst to all bits of the upper half of dst.

Details :

Size			Mnemonic	Code														
Byte	Word	Long word																
×	○	○	EXTS r	<table border="1"> <tr> <td>1</td><td>1</td><td>z</td><td>z</td><td>1</td><td>r</td> </tr> <tr> <td>0</td><td>0</td><td>0</td><td>1</td><td>0</td><td>0</td><td>1</td><td>1</td> </tr> </table>	1	1	z	z	1	r	0	0	0	1	0	0	1	1
1	1	z	z	1	r													
0	0	0	1	0	0	1	1											

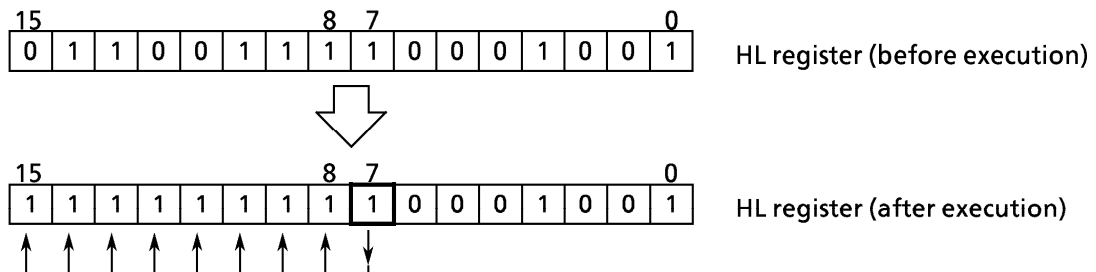
Flags : S Z H V N C

-	-	-	-	-	-
---	---	---	---	---	---

- S = No change
- Z = No change
- H = No change
- V = No change
- N = No change
- C = No change

Execution example: EXTS HL

When the HL register = 6789H, execution sets the HL register to FF89H.



DAA dst

< Decimal Adjust Accumulator >

Operation : dst ← decimal adjustment of dst

Description : Decimal adjusts the contents of dst depending on the states of the C, H, and N flags. Used to adjust the execution result of the add or subtract instruction as binary-coded decimal (BCD).

Details :

Byte	Size		Mnemonic	Code														
	Word	Long word																
○	×	×	DAA r	<table border="1" style="display: inline-table; vertical-align: middle;"> <tr> <td>1</td><td>1</td><td>0</td><td>0</td><td>1</td><td>r</td> </tr> <tr> <td>0</td><td>0</td><td>0</td><td>1</td><td>0</td><td>0</td><td>0</td><td>0</td> </tr> </table>	1	1	0	0	1	r	0	0	0	1	0	0	0	0
1	1	0	0	1	r													
0	0	0	1	0	0	0	0											

Operation	N flag before DAA instruction execution	C flag before DAA instruction execution	Upper 4 bits of dst	H flag before DAA instruction execution	Lower 4 bits of dst	Added value	C flag after DAA instruction execution
ADD	0	0	0 to 9	0	0 to 9	00	0
	0	0	0 to 8	0	A to F	06	0
	0	0	0 to 9	1	0 to 3	06	0
	0	0	A to F	0	0 to 9	60	1
ADC	0	0	9 to F	0	A to F	66	1
	0	0	A to F	1	0 to 3	66	1
	0	1	0 to 2	0	0 to 9	60	1
	0	1	0 to 2	0	A to F	66	1
	0	1	0 to 3	1	0 to 3	66	1
SUB	1	0	0 to 9	0	0 to 9	00	0
SBC	1	0	0 to 8	1	6 to F	FA	0
NEG	1	1	7 to F	0	0 to 9	A0	1
	1	1	6 to F	1	6 to F	9A	1

Note : Decimal adjustment cannot be performed for the INC or DEC instruction. This is because the C flag does not change.

Flags : S Z H V N C

*	*	*	*	-	*
---	---	---	---	---	---

S = MSB value of the result is set.

Z = 1 is set if the result is 0, otherwise 0.

H = 1 is set if a carry from bit 3 to bit 4 occurs as a result of the operation, otherwise 0.

V = 1 is set if the parity (number of 1s) of the result is even, otherwise 0.

N = No change

C = 1 is set if a carry occurs from the MSB as a result of the operation or a carry was 1 before operation, otherwise 0.

Execution example: ADD A,B
DAA A

When the A register = 59H and the B register = 13 H,
execution sets the A register to 72H.

PAA dst

< Pointer Adjust Accumulator >

Operation : if dst <LSB> = 1 then dst ← dst + 1

Description : Increments dst by 1 when the LSB of dst is 1. Does nothing when the LSB of dst is 0.

Used to make the contents of dst even. With the TLCS-900 series, when accessing 16- or 32-bit data in memory, if the data are loaded from an address starting with an even number, the number of bus cycles is 1 less than that of the data loaded from an address starting with an odd number.

Details :

			Mnemonic		Code																															
Byte	Word	Long word																																		
×	○	○	PAA	r	<table border="1" style="display: inline-table; vertical-align: middle;"> <tr> <td>1</td><td>1</td><td>z</td><td>z</td><td>1</td><td></td><td>r</td><td></td><td></td><td></td><td></td><td></td> </tr> <tr> <td>0</td><td>0</td><td>0</td><td>1</td><td>0</td><td>1</td><td>0</td><td>0</td><td></td><td></td><td></td><td></td> </tr> </table>								1	1	z	z	1		r						0	0	0	1	0	1	0	0				
1	1	z	z	1		r																														
0	0	0	1	0	1	0	0																													

Flags : S Z H V N C

-	-	-	-	-	-
---	---	---	---	---	---

S = No change

Z = No change

H = No change

V = No change

N = No change

C = No change

Execution example: PAA XIZ

When the XIZ register = 00234567H, execution increments the XIZ register by 1 so that it becomes 00234568H.

MUL dst, src

< Multiply >

Operation : $dst \leftarrow dst \langle \text{lower half} \rangle \times src$ (unsigned)

Description : Multiplies unsigned the contents of lower half of dst by those of src and loads the result to dst.

Details :

Byte	Size		Mnemonic	Code																										
	Word	Long word																												
○	○	×	MUL RR, r	<table border="1"> <tr> <td>1</td><td>1</td><td>0</td><td>z</td><td>1</td><td>r</td> </tr> <tr> <td>0</td><td>1</td><td>0</td><td>0</td><td>0</td><td>R</td> </tr> </table>	1	1	0	z	1	r	0	1	0	0	0	R														
1	1	0	z	1	r																									
0	1	0	0	0	R																									
○	○	×	MUL rr, #	<table border="1"> <tr> <td>1</td><td>1</td><td>0</td><td>z</td><td>1</td><td>r</td> </tr> <tr> <td>0</td><td>0</td><td>0</td><td>0</td><td>1</td><td>0</td><td>0</td><td>0</td> </tr> <tr> <td colspan="6" style="text-align: center;"># <7:0></td> </tr> <tr> <td colspan="6" style="text-align: center;"># <15:8></td> </tr> </table>	1	1	0	z	1	r	0	0	0	0	1	0	0	0	# <7:0>						# <15:8>					
1	1	0	z	1	r																									
0	0	0	0	1	0	0	0																							
# <7:0>																														
# <15:8>																														
○	○	×	MUL RR, (mem)	<table border="1"> <tr> <td>1</td><td>m</td><td>0</td><td>z</td><td>m</td><td>m</td><td>m</td><td>m</td> </tr> <tr> <td>0</td><td>1</td><td>0</td><td>0</td><td>0</td><td>R</td> </tr> </table>	1	m	0	z	m	m	m	m	0	1	0	0	0	R												
1	m	0	z	m	m	m	m																							
0	1	0	0	0	R																									

Note : When the operation is in bytes, $dst \text{ (word)} \leftarrow dst \text{ (byte)} \times src \text{ (byte)}$.
 When the operation is in words, $dst \text{ (long word)} \leftarrow dst \text{ (word)} \times src \text{ (word)}$.
 Match coding of the operand dst with the size of the result.

Flags : S Z H V N C

-	-	-	-	-	-
---	---	---	---	---	---

- S = No change
- Z = No change
- H = No change
- V = No change
- N = No change
- C = No change

Execution example: MUL XIX, IY
 When the IX register = 1234H and the IY register = 89ABH, execution multiplies unsigned the contents of the IX register by those of the IY register and sets the XIX register to 09C9FCBCH.

Note : “RR” for the MUL RR,r and MUL RR,(mem) instructions is as listed below:

Operation size in bytes
(16 bits ← 8 bits × 8 bits)

RR	Code R
WA	001
BC	011
DE	101
HL	111
IX	} Specifica- tion not possible!
IY	
IZ	
SP	

Operation size in words
(32 bits ← 16 bits × 16 bits)

RR	Code R
XWA	000
XBC	001
XDE	010
XHL	011
XIX	100
XIY	101
XIZ	110
XSP	111

*1 When the CPU is in minimum mode, XWA, XBC, XDE, or XHL cannot be used.

“rr” for the MUL rr,# instruction is as listed below.

Operation size in bytes
(16 bits ← 8 bits × 8 bits)

rr	Code r
WA	001
BC	011
DE	101
HL	111
IX	C7H : F0H
IY	C7H : F4H
IZ	C7H : F8H
SP	<u>C7H</u> : <u>FCH</u>
	1st byte 2nd byte

*2 Any other word registers can be specified in the same extension coding as those for IX to SP.

Operation size in words
(32 bits ← 16 bits × 16 bits)

rr	Code r
XWA	000
XBC	001
XDE	010
XHL	011
XIX	100
XIY	101
XIZ	110
XSP	111

*3 When the CPU is in minimum mode, XWA, XBC, XDE, or XHL cannot be used.

*4 Any other long word registers can be specified in the extension coding.

MULS dst, src

< Multiply Signed >

Operation : $dst \leftarrow dst \langle \text{lower half} \rangle \times src$ (signed)

Description : Multiplies signed the contents of the lower half of dst by those of src and loads the result to dst.

Details :

Byte	Size		Mnemonic	Code																										
	Word	Long word																												
○	○	×	MULS RR, r	<table border="1"> <tr> <td>1</td><td>1</td><td>0</td><td>z</td><td>1</td><td>r</td> </tr> <tr> <td>0</td><td>1</td><td>0</td><td>0</td><td>1</td><td>R</td> </tr> </table>	1	1	0	z	1	r	0	1	0	0	1	R														
1	1	0	z	1	r																									
0	1	0	0	1	R																									
○	○	×	MULS rr, #	<table border="1"> <tr> <td>1</td><td>1</td><td>0</td><td>z</td><td>1</td><td>r</td> </tr> <tr> <td>0</td><td>0</td><td>0</td><td>0</td><td>1</td><td>0</td><td>0</td><td>1</td> </tr> <tr> <td colspan="6" style="text-align: center;"># <7:0></td> </tr> <tr> <td colspan="6" style="text-align: center;"># <15:8></td> </tr> </table>	1	1	0	z	1	r	0	0	0	0	1	0	0	1	# <7:0>						# <15:8>					
1	1	0	z	1	r																									
0	0	0	0	1	0	0	1																							
# <7:0>																														
# <15:8>																														
○	○	×	MULS RR, (mem)	<table border="1"> <tr> <td>1</td><td>m</td><td>0</td><td>z</td><td>m</td><td>m</td><td>m</td><td>m</td> </tr> <tr> <td>0</td><td>1</td><td>0</td><td>0</td><td>1</td><td>R</td> </tr> </table>	1	m	0	z	m	m	m	m	0	1	0	0	1	R												
1	m	0	z	m	m	m	m																							
0	1	0	0	1	R																									

Note : When the operation is in bytes, $dst(\text{word}) \leftarrow dst(\text{byte}) \times src(\text{byte})$.
 When the operation is in words, $dst(\text{long word}) \leftarrow dst(\text{word}) \times src(\text{word})$.
 Match coding of the operand dst with the size of the result.

Flags : S Z H V N C

-	-	-	-	-	-
---	---	---	---	---	---

S = No change

Z = No change

H = No change

V = No change

N = No change

C = No change

Execution example: MULS XIX, IY

When the IX register = 1234H and the IY register = 89ABH, execution multiplies signed the contents of the IX register by those of the IY register and sets the XIX register to F795FCBCH.

Note : “RR” for the MULS RR,r and MULS RR,(mem) instructions is as listed below:

Operation size in bytes
(16 bits ← 8 bits × 8 bits)

RR	Code R
WA	001
BC	011
DE	101
HL	111
IX	} Specifica- tion not possible!
IY	
IZ	
SP	

Operation size in words
(32 bits ← 16 bits × 16 bits)

RR	Code R
XWA	000
XBC	001
XDE	010
XHL	011
XIX	100
XIY	101
XIZ	110
XSP	111

*1 When the CPU is in minimum mode, XWA, XBC, XDE, or XHL cannot be used.

“rr” for the MULS rr,# instruction is as listed below.

Operation size in bytes
(16 bits ← 8 bits × 8 bits)

rr	Code r
WA	001
BC	011
DE	101
HL	111
IX	C7H : F0H
IY	C7H : F4H
IZ	C7H : F8H
SP	<u>C7H</u> : <u>FCH</u>
	1st byte 2nd byte

Operation size in words
(32 bits ← 16 bits × 16 bits)

rr	Code r
XWA	000
XBC	001
XDE	010
XHL	011
XIX	100
XIY	101
XIZ	110
XSP	111

*2 Any other word registers can be specified in the same extension coding as those for IX to SP.

*3 When the CPU is in minimum mode, XWA, XBC, XDE, or XHL cannot be used.
*4 Any other long word registers can be specified in the extension coding.

DIV dst, src

< Divide >

Operation : $\text{dst} \langle \text{lower half} \rangle \leftarrow \text{dst} \div \text{src}, \text{dst} \langle \text{upper half} \rangle \leftarrow \text{remainder (unsigned)}$

Description : Divides unsigned the contents of dst by those of src and transfers the quotient to the lower half of dst, the remainder to the upper half of dst.

Details :

Byte	Size		Mnemonic	Code																												
	Word	Long word																														
○	○	×	DIV RR, r	<table border="1" style="border-collapse: collapse; text-align: center;"> <tr> <td>1</td><td>1</td><td>0</td><td>z</td><td>1</td><td>r</td><td>r</td> </tr> <tr> <td>0</td><td>1</td><td>0</td><td>1</td><td>0</td><td>R</td><td></td> </tr> </table>	1	1	0	z	1	r	r	0	1	0	1	0	R															
1	1	0	z	1	r	r																										
0	1	0	1	0	R																											
○	○	×	DIV rr, #	<table border="1" style="border-collapse: collapse; text-align: center;"> <tr> <td>1</td><td>1</td><td>0</td><td>z</td><td>1</td><td>r</td><td></td> </tr> <tr> <td>0</td><td>0</td><td>0</td><td>0</td><td>1</td><td>0</td><td>1 0</td> </tr> <tr> <td colspan="7"># <7:0></td> </tr> <tr> <td colspan="7"># <15:8></td> </tr> </table>	1	1	0	z	1	r		0	0	0	0	1	0	1 0	# <7:0>							# <15:8>						
1	1	0	z	1	r																											
0	0	0	0	1	0	1 0																										
# <7:0>																																
# <15:8>																																
○	○	×	DIV RR, (mem)	<table border="1" style="border-collapse: collapse; text-align: center;"> <tr> <td>1</td><td>m</td><td>0</td><td>z</td><td>m</td><td>m</td><td>m</td><td>m</td> </tr> <tr> <td>0</td><td>1</td><td>0</td><td>1</td><td>0</td><td>R</td><td></td><td></td> </tr> </table>	1	m	0	z	m	m	m	m	0	1	0	1	0	R														
1	m	0	z	m	m	m	m																									
0	1	0	1	0	R																											

*For RR, see the following page.

Notes : When the operation is in bytes, $\text{dst} \langle \text{lower byte} \rangle \leftarrow \text{dst} \langle \text{word} \rangle \div \text{src} \langle \text{byte} \rangle$,
 $\text{dst} \langle \text{upper byte} \rangle \leftarrow \text{remainder}$.
 When the operation is in words, $\text{dst} \langle \text{lower word} \rangle \leftarrow \text{dst} \langle \text{long word} \rangle \div \text{src} \langle \text{word} \rangle$,
 $\text{dst} \langle \text{upper word} \rangle \leftarrow \text{remainder}$. Match coding of the operand dst with the size of the dividend.

Flags : S Z H V N C

-	-	-	V	-	-
---	---	---	---	---	---

S = No change

Z = No change

H = No change

V = 1 is set when divided by 0 or the quotient exceeds the numerals which can be expressed in bits of dst for load; otherwise, 0 is set.

N = No change

C = No change

Execution example: DIV XIX,IY

When the XIX register = 12345678H and the IY register = 89ABH, execution results in a quotient of 21DAH and a remainder of 0FDAH, and sets the XIX register to 0FDA21DAH.

Note : : “RR” of the DIV RR,r and DIV RR,(mem) instruction is as listed below.

Operation size in bytes
(8 bits ← 16 bits ÷ 8 bits)

RR	Code “R”
WA	001
BC	011
DE	101
HL	111
IX	} Specifica- tion not possible!
IY	
IZ	
SP	

Operation size in words
(16 bits ← 32 bits ÷ 16 bits)

RR	Code “R”
XWA	000
XBC	001
XDE	010
XHL	011
XIX	100
XIY	101
XIZ	110
XSP	111

*1 When the CPU is in minimum mode, XWA, XBC, XDE, and XHL cannot be used.

“rr” of the DIV rr,# instruction is as listed below.

Operation size in bytes
(8 bits ← 16 bits ÷ 8 bits)

rr	Code “r”
WA	001
BC	011
DE	101
HL	111
IX	C7H : F0H
IY	C7H : F4H
IZ	C7H : F8H
SP	<u>C7H</u> : <u>FCH</u>
	1st byte 2nd byte

*2 Any other word registers can be specified in the same extension coding as IX to SP.

Operation size in words
(16 bits ← 32 bits ÷ 16 bits)

rr	Code “r”
XWA	000
XBC	001
XDE	010
XHL	011
XIX	100
XIY	101
XIZ	110
XSP	111

*3 When the CPU is in minimum mode, XWA, XBC, XDE, and XHL cannot be used.

*4 Any other long word registers can be specified in the extension coding.

DIVS dst, src

< Divide Signed >

Operation : $dst<lower\ half> \leftarrow dst \div src, dst<upper\ half> \leftarrow remainder\ (signed)$

Description : Divides signed the contents of dst by those of src and transfers the quotient to the lower half of dst, the remainder to the upper half of dst.

Details :

Byte	Size		Mnemonic		Code																												
	Word	Long word																															
○	○	×	DIVS	RR, r	<table border="1"> <tr> <td>1</td><td>1</td><td>0</td><td>z</td><td>1</td><td>r</td><td></td> </tr> <tr> <td>0</td><td>1</td><td>0</td><td>1</td><td>1</td><td>R</td><td></td> </tr> </table>	1	1	0	z	1	r		0	1	0	1	1	R															
1	1	0	z	1	r																												
0	1	0	1	1	R																												
○	○	×	DIVS	rr, #	<table border="1"> <tr> <td>1</td><td>1</td><td>0</td><td>z</td><td>1</td><td>r</td><td></td> </tr> <tr> <td>0</td><td>0</td><td>0</td><td>0</td><td>1</td><td>0</td><td>1 1</td> </tr> <tr> <td colspan="7" style="text-align:center"># <7:0></td> </tr> <tr> <td colspan="7" style="text-align:center"># <15:8></td> </tr> </table>	1	1	0	z	1	r		0	0	0	0	1	0	1 1	# <7:0>							# <15:8>						
1	1	0	z	1	r																												
0	0	0	0	1	0	1 1																											
# <7:0>																																	
# <15:8>																																	
○	○	×	DIVS	RR, (mem)	<table border="1"> <tr> <td>1</td><td>m</td><td>0</td><td>z</td><td>m</td><td>m</td><td>m</td><td>m</td> </tr> <tr> <td>0</td><td>1</td><td>0</td><td>1</td><td>1</td><td>R</td><td></td><td></td> </tr> </table>	1	m	0	z	m	m	m	m	0	1	0	1	1	R														
1	m	0	z	m	m	m	m																										
0	1	0	1	1	R																												

* For RR, see the following page.

Notes : When the operation is in bytes, $dst\ (lower\ byte) \leftarrow dst\ (word) \div src\ (byte), dst\ (upper\ byte) \leftarrow remainder.$
 When the operation is in words, $dst\ (lower\ word) \leftarrow dst\ (long\ word) \div src\ (word), dst\ (upper\ word) \leftarrow remainder.$
 Match coding of the operand dst with the size of the dividend. The sign of the remainder is the same as that of the dividend.

Flags : S Z H V N C

-	-	-	*	-	-
---	---	---	---	---	---

S = No change

Z = No change

H = No change

V = 1 is set when divided by 0, or the quotient exceeds the value which can be expressed in bits of the dst used for loading, otherwise 0.

N = No change

C = No change

Execution example: DIVS XIX,IY

When the XIX register = 12345678H and the IY register = 89ABH, execution results in the quotient as 16EEH and the remainder as D89EH, and sets the XIX register to 16EED89EH.

Note : “RR” of the DIVS RR,r and DIVS RR,(mem) instruction is as listed below.

Operation size in bytes
(8 bits ← 16 bits ÷ 8 bits)

RR	Code “R”
WA	001
BC	011
DE	101
HL	111
IX	} Specifica- tion not possible!
IY	
IZ	
SP	

Operation size in words
(16 bits ← 32 bits ÷ 16 bits)

RR	Code “R”
XWA	000
XBC	001
XDE	010
XHL	011
XIX	100
XIY	101
XIZ	110
XSP	111

*1 When the CPU is in minimum mode, XWA, XBC, XDE, or XHL cannot be used.

“rr” of the DIVS rr,# instruction is as listed below.

Operation size in bytes
(8 bits ← 16 bits ÷ 8 bits)

rr	Code “r”
WA	001
BC	011
DE	101
HL	111
IX	C7H : F0H
IY	C7H : F4H
IZ	C7H : F8H
SP	<u>C7H</u> : <u>FCH</u>
	1st byte 2nd byte

*2 Any other word registers can be specified in the same word extension coding as those for IX to SP.

Operation size in words
(16 bits ← 32 bits ÷ 16 bits)

rr	Code “r”
XWA	000
XBC	001
XDE	010
XHL	011
XIX	100
XIY	101
XIZ	110
XSP	111

*3 When the CPU is in minimum mode, XWA, XBC, XDE, or XHL cannot be used.

*4 Any other long word registers can be specified in the extension coding.

MULA dst

< Multiply and Add >

Operation : $dst \leftarrow dst + (XDE) \times (XHL), XHL \leftarrow XHL - 2$

Description : Multiplies signed the memory data (16 bits) specified by the XDE register by the memory data (16 bits) specified by the XHL register . Adds the result (32 bits) to the contents of dst (32 bits) and loads the sum to dst (32 bits). Then, decrements the contents of the XHL register by 2.

Details :

Byte	Size		Mnemonic	Code															
	Word	Long word																	
×	○	×	MULA rr	<table border="1" style="display: inline-table; vertical-align: middle;"> <tr> <td>1</td><td>1</td><td>0</td><td>1</td><td>1</td><td>r</td><td>r</td> </tr> <tr> <td>0</td><td>0</td><td>0</td><td>1</td><td>1</td><td>0</td><td>0</td><td>1</td> </tr> </table>	1	1	0	1	1	r	r	0	0	0	1	1	0	0	1
1	1	0	1	1	r	r													
0	0	0	1	1	0	0	1												

Note : Match coding of the operand dst with the operation size (long word).

Flags : S Z H V N C

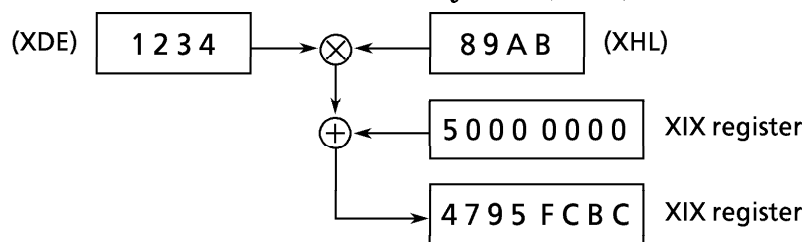
*	*	-	*	-	-
---	---	---	---	---	---

- S = MSB value of the result is set.
- Z = 1 is set when the result is 0, otherwise 0.
- H = No change.
- V = 1 is set when an overflow occurs as a result, otherwise 0.
- N = No change.
- C = No change.

Execution example: MULA XIX

Under the following conditions, execution sets the XIX register to 4795FCBC and the XHL register to 1FEH.

Conditions: XIX register = 50000000H
 XDE register = 100H
 XHL register = 200H
 Memory data (word) at address 100H = 1234H
 Memory data (word) at address 200H = 89ABH



MINC1 num, dst

< Modulo Increment 1 >

Operation : if $(dst \bmod num) = (num - 1)$ then $dst \leftarrow dst - (num - 1)$ else $dst \leftarrow dst + 1$.

Description : When the modulo num of dst is num - 1, decrements dst by num - 1. Otherwise, increments dst by 1. Used to operate pointers for cyclic memory table.

Details :

Size			Mnemonic	Code																									
Byte	Word	Long word																											
×	○	×	MINC1 #, r	<table border="1"> <tr> <td>1</td><td>1</td><td>0</td><td>1</td><td>1</td><td>r</td> </tr> <tr> <td>0</td><td>0</td><td>1</td><td>1</td><td>1</td><td>0</td><td>0</td> </tr> <tr> <td colspan="6" style="text-align: center;">#<7:0> - 1</td> </tr> <tr> <td colspan="6" style="text-align: center;">#<15:8></td> </tr> </table>	1	1	0	1	1	r	0	0	1	1	1	0	0	#<7:0> - 1						#<15:8>					
1	1	0	1	1	r																								
0	0	1	1	1	0	0																							
#<7:0> - 1																													
#<15:8>																													

Note : The operand # must be 2 to the nth power. (n = 1 to 15)

Flags : S Z H V N C

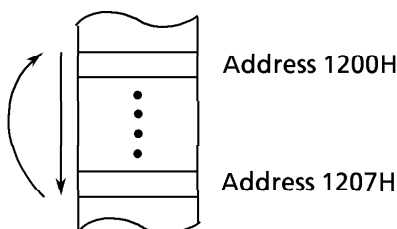
-	-	-	-	-	-
---	---	---	---	---	---

- S = No change
- Z = No change
- H = No change
- V = No change
- N = No change
- C = No change

Execution example: Increments the IX register by cycling from 1200H to 1207H.

MINC1 8, IX

When the IX register = 1206H, execution sets the IX register to 1207H. Further execution decrements the IX register by 8 - 1 and sets the IX register to 1200H, since the IX register modulo 8 = 8 - 1.



MINC2 num, dst

< Modulo Increment 2 >

Operation : if $(dst \bmod num) = (num - 2)$ then $dst \leftarrow dst - (num - 2)$ else $dst \leftarrow dst + 2$.

Description : When the modulo num of dst is $num - 2$, decrements dst by $num - 2$. Otherwise, increments dst by 2. Used to operate pointers for cyclic memory table.

Details :

Size			Mnemonic	Code																										
Byte	Word	Long word																												
×	○	×	MINC2 #, r	<table border="1"> <tr> <td>1</td><td>1</td><td>0</td><td>1</td><td>1</td><td>r</td> </tr> <tr> <td>0</td><td>0</td><td>1</td><td>1</td><td>1</td><td>0</td><td>0</td><td>1</td> </tr> <tr> <td colspan="6" style="text-align: center;"># <7:0> - 2</td> </tr> <tr> <td colspan="6" style="text-align: center;"># <15:8></td> </tr> </table>	1	1	0	1	1	r	0	0	1	1	1	0	0	1	# <7:0> - 2						# <15:8>					
1	1	0	1	1	r																									
0	0	1	1	1	0	0	1																							
# <7:0> - 2																														
# <15:8>																														

Note : The operand # must be 2 to the nth power. (n = 2 to 15)

Flags : S Z H V N C

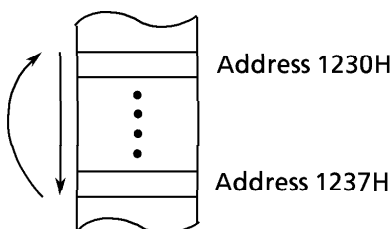
-	-	-	-	-	-
---	---	---	---	---	---

- S = No change
- Z = No change
- H = No change
- V = No change
- N = No change
- C = No change

Execution example: Increments the IX register by cycling from 1230H to 1237H.

MINC2 8,IX

When the IX register = 1234H, execution sets the IX register to 1236H. Further execution decrements the IX register by 8 - 2 and sets the IX Register to 1230H, since the IX register modulo 8 = 8 - 2.



MINC4 num, dst

< Modulo Increment 4 >

Operation : if $(dst \bmod num) = (num - 4)$ then $dst \leftarrow dst - (num - 4)$ else $dst \leftarrow dst + 4$.

Description : When the modulo num of dst is num - 4, decrements dst by num - 4. Otherwise, increments dst by 4. Used to operate pointers for cyclic memory table.

Details :

			Mnemonic		Code																														
Byte	Size	Long word																																	
	Word																																		
×	○	×	MINC4	#, r	<table border="1" style="border-collapse: collapse; width: 100%;"> <tr> <td style="padding: 2px;">1</td><td style="padding: 2px;">1</td><td style="padding: 2px;">0</td><td style="padding: 2px;">1</td><td style="padding: 2px;">1</td><td style="padding: 2px;">r</td><td style="padding: 2px;"> </td></tr> <tr> <td style="padding: 2px;">0</td><td style="padding: 2px;">0</td><td style="padding: 2px;">1</td><td style="padding: 2px;">1</td><td style="padding: 2px;">1</td><td style="padding: 2px;">0</td><td style="padding: 2px;">1</td><td style="padding: 2px;">0</td></tr> <tr> <td colspan="7" style="text-align: center; padding: 2px;">#<7:0> - 4</td></tr> <tr> <td colspan="7" style="text-align: center; padding: 2px;">#<15:8></td></tr> </table>		1	1	0	1	1	r		0	0	1	1	1	0	1	0	#<7:0> - 4							#<15:8>						
1	1	0	1	1	r																														
0	0	1	1	1	0	1	0																												
#<7:0> - 4																																			
#<15:8>																																			

Note : The operand # must be 2 to the nth power. (n = 3 to 15)

Flags : S Z H V N C

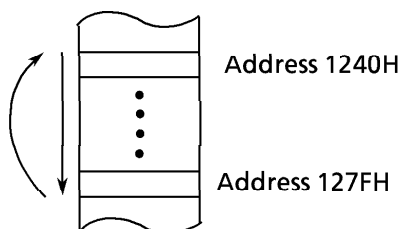
-	-	-	-	-	-
---	---	---	---	---	---

- S = No change
- Z = No change
- H = No change
- V = No change
- N = No change
- C = No change

Execution example: Increments the IX register by cycling from 1240H to 127FH.

MINC4 40H, IX

When the IX register = 1278H, execution sets the IX register to 127CH. Further execution decrements the IX register by 40H - 4 and sets the IX register to 1240H, since the IX register modulo 40H = 40H - 4.



MDEC1 num, dst

< Modulo Decrement 1 >

Operation : if (dst mod num) = 0 then dst ← dst + (num - 1) else dst ← dst - 1.

Description : When the modulo num of dst is 0, increments dst by num - 1 .
 Otherwise, decrements dst by 1. Used to operate pointers for cyclic memory table.

Details :

Size			Mnemonic	Code																													
Byte	Word	Long word																															
×	○	×	MDEC1 #, r	<table border="1"> <tr> <td>1</td><td>1</td><td>0</td><td>1</td><td>1</td><td colspan="2">r</td> </tr> <tr> <td>0</td><td>0</td><td>1</td><td>1</td><td>1</td><td>1</td><td>0</td><td>0</td> </tr> <tr> <td colspan="7"># <7:0> - 1</td> </tr> <tr> <td colspan="7"># <15:8></td> </tr> </table>	1	1	0	1	1	r		0	0	1	1	1	1	0	0	# <7:0> - 1							# <15:8>						
1	1	0	1	1	r																												
0	0	1	1	1	1	0	0																										
# <7:0> - 1																																	
# <15:8>																																	

Note : The operand # must be 2 to the nth power. (n = 1 to 15)

Flags : S Z H V N C

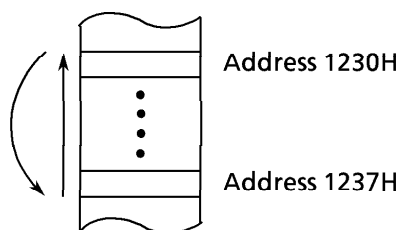
-	-	-	-	-	-
---	---	---	---	---	---

- S = No change
- Z = No change
- H = No change
- V = No change
- N = No change
- C = No change

Execution example: Decrements the IX register by cycling from 1230H to 1237H.

MDEC1 8, IX

When the IX register = 1231H, execution sets the IX register to 1230H. Further execution increments the IX register by 8-1 and sets the IX register to 1237H, since the IX register modulo 8 = 0.



MDEC2 num, dst

< Modulo Decrement 2 >

Operation : if (dst mod num) = 0 then dst ← dst + (num - 2) else dst ← dst - 2.

Description : When the modulo num of dst is 0, increments dst by num - 2. Otherwise, decrements dst by 2. Used to operate pointers for cyclic memory table.

Details :

Size			Mnemonic	Code																										
Byte	Word	Long word																												
×	○	×	MDEC2 #, r	<table border="1"> <tr> <td>1</td><td>1</td><td>0</td><td>1</td><td>1</td><td>r</td> </tr> <tr> <td>0</td><td>0</td><td>1</td><td>1</td><td>1</td><td>1</td><td>0</td><td>1</td> </tr> <tr> <td colspan="6" style="text-align: center;"># <7:0> - 2</td> </tr> <tr> <td colspan="6" style="text-align: center;"># <15:8></td> </tr> </table>	1	1	0	1	1	r	0	0	1	1	1	1	0	1	# <7:0> - 2						# <15:8>					
1	1	0	1	1	r																									
0	0	1	1	1	1	0	1																							
# <7:0> - 2																														
# <15:8>																														

Note : The operand # must be 2 to the nth power. (n = 2 to 15)

Flags : S Z H V N C

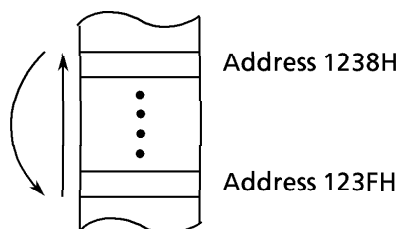
-	-	-	-	-	-
---	---	---	---	---	---

- S = No change
- Z = No change
- H = No change
- V = No change
- N = No change
- C = No change

Execution example: Decrements the IX register by cycling from 1238H to 123FH.

MDEC2 8,IX

When the IX register = 123AH, execution sets the IX register to 1238H. Further execution increments the IX register by 8-2 and sets the IX register to 123EH, since the IX register modulo 8 = 0.



MDEC4 num, dst

< Modulo Decrement 4 >

Operation : if (dst mod num)=0 then dst←dst+(num−4) else dst←dst−4.

Description : When the modulo num of dst is 0, increments dst by num−4. Otherwise, decrements dst by 4. Used to operate pointers for cyclic memory table.

Details :

Size			Mnemonic	Code																									
Byte	Word	Long word																											
×	○	×	MDEC4 #, r	<table border="1"> <tr> <td>1</td><td>1</td><td>0</td><td>1</td><td>1</td><td>r</td> </tr> <tr> <td>0</td><td>0</td><td>1</td><td>1</td><td>1</td><td>1</td><td>0</td> </tr> <tr> <td colspan="6"># <7:0> − 4</td> </tr> <tr> <td colspan="6"># <15:8></td> </tr> </table>	1	1	0	1	1	r	0	0	1	1	1	1	0	# <7:0> − 4						# <15:8>					
1	1	0	1	1	r																								
0	0	1	1	1	1	0																							
# <7:0> − 4																													
# <15:8>																													

Note : The operand # must be 2 to the nth power. (n = 3 to 15)

Flags : S Z H V N C

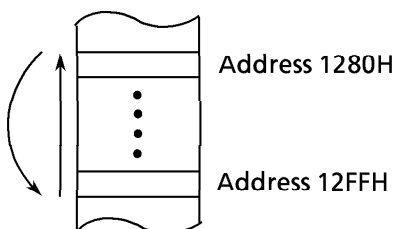
-	-	-	-	-	-
---	---	---	---	---	---

- S = No change
- Z = No change
- H = No change
- V = No change
- N = No change
- C = No change

Execution example: Decrements the IX register by cycling from 1280H to 12FFH.

MDEC4 80H,IX

When the IX register = 1284H, execution sets the IX register to 1280H. Further execution increments the IX register by 80H−4 and sets the IX register to 12FCH, since the IX register modulo 80H = 0.



AND dst, src

< And >

Operation : dst ← dst AND src

Description : Ands the contents of dst and src, then transfers the result to dst.

(Truth table)

A	B	A and B
0	0	0
0	1	0
1	0	0
1	1	1

Details :

Byte	Size		Mnemonic		Code																																						
	Word	Long word																																									
○	○	○	AND	R, r	<table border="1"> <tr> <td>1</td><td>1</td><td>z</td><td>z</td><td>1</td><td>r</td> </tr> <tr> <td>1</td><td>1</td><td>0</td><td>0</td><td>0</td><td>R</td> </tr> </table>	1	1	z	z	1	r	1	1	0	0	0	R																										
1	1	z	z	1	r																																						
1	1	0	0	0	R																																						
○	○	○	AND	r, #	<table border="1"> <tr> <td>1</td><td>1</td><td>z</td><td>z</td><td>1</td><td>r</td> </tr> <tr> <td>1</td><td>1</td><td>0</td><td>0</td><td>1</td><td>1</td><td>0</td><td>0</td> </tr> <tr> <td colspan="6"># <7:0></td> </tr> <tr> <td colspan="6"># <15:8></td> </tr> <tr> <td colspan="6"># <23:16></td> </tr> <tr> <td colspan="6"># <31:24></td> </tr> </table>	1	1	z	z	1	r	1	1	0	0	1	1	0	0	# <7:0>						# <15:8>						# <23:16>						# <31:24>					
1	1	z	z	1	r																																						
1	1	0	0	1	1	0	0																																				
# <7:0>																																											
# <15:8>																																											
# <23:16>																																											
# <31:24>																																											
○	○	○	AND	R, (mem)	<table border="1"> <tr> <td>1</td><td>m</td><td>z</td><td>z</td><td>m</td><td>m</td><td>m</td><td>m</td> </tr> <tr> <td>1</td><td>1</td><td>0</td><td>0</td><td>0</td><td>R</td> </tr> </table>	1	m	z	z	m	m	m	m	1	1	0	0	0	R																								
1	m	z	z	m	m	m	m																																				
1	1	0	0	0	R																																						
○	○	○	AND	(mem), R	<table border="1"> <tr> <td>1</td><td>m</td><td>z</td><td>z</td><td>m</td><td>m</td><td>m</td><td>m</td> </tr> <tr> <td>1</td><td>1</td><td>0</td><td>0</td><td>1</td><td>R</td> </tr> </table>	1	m	z	z	m	m	m	m	1	1	0	0	1	R																								
1	m	z	z	m	m	m	m																																				
1	1	0	0	1	R																																						
○	○	×	AND <W>	(mem), #	<table border="1"> <tr> <td>1</td><td>m</td><td>0</td><td>z</td><td>m</td><td>m</td><td>m</td><td>m</td> </tr> <tr> <td>0</td><td>0</td><td>1</td><td>1</td><td>1</td><td>1</td><td>0</td><td>0</td> </tr> <tr> <td colspan="6"># <7:0></td> </tr> <tr> <td colspan="6"># <15:8></td> </tr> </table>	1	m	0	z	m	m	m	m	0	0	1	1	1	1	0	0	# <7:0>						# <15:8>															
1	m	0	z	m	m	m	m																																				
0	0	1	1	1	1	0	0																																				
# <7:0>																																											
# <15:8>																																											

Flags : S Z H V N C

*	*	1	*	0	0
---	---	---	---	---	---

S = MSB value of the result is set.

Z = 1 is set if the result is 0, otherwise 0.

H = 1 is set.

V = 1 is set if a parity of the result is even, 0 if odd. If the operand is 32 bits, an undefined value is set.

N = Cleared to zero.

C = Cleared to zero.

Execution example: AND HL,IX

When the HL register = 7350H and the IX register = 3456H, execution sets the HL register to 3050H.

	0111	0011	0101	0000	←	HL register (before execution)
AND)	<u>0011</u>	<u>0100</u>	<u>0101</u>	<u>0110</u>	←	IX register (before execution)
	0011	0000	0101	0000	←	HL register (after execution)

OR dst, src

< Logical OR >

Operation : dst ← dst OR src

Description : Ors the contents of dst with those of src and loads the result to dst.

(Truth table)

A	B	A OR B
0	0	0
0	1	1
1	0	1
1	1	1

Details :

Byte	Size		Mnemonic		Code																																																
	Word	Long word																																																			
<input type="radio"/>	<input type="radio"/>	<input type="radio"/>	OR	R, r	<table border="1"> <tr> <td>1</td><td>1</td><td>z</td><td>z</td><td>1</td><td></td><td>r</td><td></td> </tr> <tr> <td>1</td><td>1</td><td>1</td><td>0</td><td>0</td><td></td><td>R</td><td></td> </tr> </table>	1	1	z	z	1		r		1	1	1	0	0		R																																	
1	1	z	z	1		r																																															
1	1	1	0	0		R																																															
<input type="radio"/>	<input type="radio"/>	<input type="radio"/>	OR	r, #	<table border="1"> <tr> <td>1</td><td>1</td><td>z</td><td>z</td><td>1</td><td></td><td>r</td><td></td> </tr> <tr> <td>1</td><td>1</td><td>0</td><td>0</td><td>1</td><td>1</td><td>1</td><td>0</td> </tr> <tr> <td colspan="8"># <7:0></td> </tr> <tr> <td colspan="8"># <15:8></td> </tr> <tr> <td colspan="8"># <23:16></td> </tr> <tr> <td colspan="8"># <31:24></td> </tr> </table>	1	1	z	z	1		r		1	1	0	0	1	1	1	0	# <7:0>								# <15:8>								# <23:16>								# <31:24>							
1	1	z	z	1		r																																															
1	1	0	0	1	1	1	0																																														
# <7:0>																																																					
# <15:8>																																																					
# <23:16>																																																					
# <31:24>																																																					
<input type="radio"/>	<input type="radio"/>	<input type="radio"/>	OR	R, (mem)	<table border="1"> <tr> <td>1</td><td>m</td><td>z</td><td>z</td><td>m</td><td>m</td><td>m</td><td>m</td> </tr> <tr> <td>1</td><td>1</td><td>1</td><td>0</td><td>0</td><td></td><td>R</td><td></td> </tr> </table>	1	m	z	z	m	m	m	m	1	1	1	0	0		R																																	
1	m	z	z	m	m	m	m																																														
1	1	1	0	0		R																																															
<input type="radio"/>	<input type="radio"/>	<input type="radio"/>	OR	(mem), R	<table border="1"> <tr> <td>1</td><td>m</td><td>z</td><td>z</td><td>m</td><td>m</td><td>m</td><td>m</td> </tr> <tr> <td>1</td><td>1</td><td>1</td><td>0</td><td>1</td><td></td><td>R</td><td></td> </tr> </table>	1	m	z	z	m	m	m	m	1	1	1	0	1		R																																	
1	m	z	z	m	m	m	m																																														
1	1	1	0	1		R																																															
<input type="radio"/>	<input type="radio"/>	<input checked="" type="radio"/>	OR<W>	(mem), #	<table border="1"> <tr> <td>1</td><td>m</td><td>0</td><td>z</td><td>m</td><td>m</td><td>m</td><td>m</td> </tr> <tr> <td>0</td><td>0</td><td>1</td><td>1</td><td>1</td><td>1</td><td>1</td><td>0</td> </tr> <tr> <td colspan="8"># <7:0></td> </tr> <tr> <td colspan="8"># <15:8></td> </tr> </table>	1	m	0	z	m	m	m	m	0	0	1	1	1	1	1	0	# <7:0>								# <15:8>																							
1	m	0	z	m	m	m	m																																														
0	0	1	1	1	1	1	0																																														
# <7:0>																																																					
# <15:8>																																																					

Flags : S Z H V N C

*	*	0	*	0	0
---	---	---	---	---	---

S = MSB value of the result is set.

Z = 1 is set when the result is 0, otherwise 0.

H = 0 is set.

V = 1 is set when the parity (number of 1s) of the result is even, 0 when odd.
When the operand is 32-bit, an undefined value is set.

N = Cleared to 0.

C = Cleared to 0.

Execution example: OR HL, IX

When the HL register = 7350H and the IX register is 3456H, execution sets the HL register to 7756H.

	0111	0011	0101	0000	←	HL register (before execution)
OR)	0011	0100	0101	0110	←	IX register (before execution)
	0111	0111	0101	0110	←	HL register (after execution)

XOR dst, src

< Exclusive OR >

Operation : dst ← dst XOR src

Description : Exclusive ors the contents of dst with those of src and loads the result to dst.

(Truth table)

A	B	A XOR B
0	0	0
0	1	1
1	0	1
1	1	0

Details :

Byte	Size		Mnemonic	Code																																						
	Word	Long word																																								
<input type="radio"/>	<input type="radio"/>	<input type="radio"/>	XOR R, r	<table border="1"> <tr> <td>1</td><td>1</td><td>z</td><td>z</td><td>1</td><td>r</td> </tr> <tr> <td>1</td><td>1</td><td>0</td><td>1</td><td>0</td><td>R</td> </tr> </table>	1	1	z	z	1	r	1	1	0	1	0	R																										
1	1	z	z	1	r																																					
1	1	0	1	0	R																																					
<input type="radio"/>	<input type="radio"/>	<input type="radio"/>	XOR r, #	<table border="1"> <tr> <td>1</td><td>1</td><td>z</td><td>z</td><td>1</td><td>r</td> </tr> <tr> <td>1</td><td>1</td><td>0</td><td>0</td><td>1</td><td>1</td><td>0</td><td>1</td> </tr> <tr> <td colspan="6"># <7:0></td> </tr> <tr> <td colspan="6"># <15:8></td> </tr> <tr> <td colspan="6"># <23:16></td> </tr> <tr> <td colspan="6"># <31:24></td> </tr> </table>	1	1	z	z	1	r	1	1	0	0	1	1	0	1	# <7:0>						# <15:8>						# <23:16>						# <31:24>					
1	1	z	z	1	r																																					
1	1	0	0	1	1	0	1																																			
# <7:0>																																										
# <15:8>																																										
# <23:16>																																										
# <31:24>																																										
<input type="radio"/>	<input type="radio"/>	<input type="radio"/>	XOR R, (mem)	<table border="1"> <tr> <td>1</td><td>m</td><td>z</td><td>z</td><td>m</td><td>m</td><td>m</td><td>m</td> </tr> <tr> <td>1</td><td>1</td><td>0</td><td>1</td><td>0</td><td>R</td> </tr> </table>	1	m	z	z	m	m	m	m	1	1	0	1	0	R																								
1	m	z	z	m	m	m	m																																			
1	1	0	1	0	R																																					
<input type="radio"/>	<input type="radio"/>	<input type="radio"/>	XOR (mem), R	<table border="1"> <tr> <td>1</td><td>m</td><td>z</td><td>z</td><td>m</td><td>m</td><td>m</td><td>m</td> </tr> <tr> <td>1</td><td>1</td><td>0</td><td>1</td><td>1</td><td>R</td> </tr> </table>	1	m	z	z	m	m	m	m	1	1	0	1	1	R																								
1	m	z	z	m	m	m	m																																			
1	1	0	1	1	R																																					
<input type="radio"/>	<input type="radio"/>	<input checked="" type="radio"/>	XOR<W> (mem), #	<table border="1"> <tr> <td>1</td><td>m</td><td>0</td><td>z</td><td>m</td><td>m</td><td>m</td><td>m</td> </tr> <tr> <td>0</td><td>0</td><td>1</td><td>1</td><td>1</td><td>1</td><td>0</td><td>1</td> </tr> <tr> <td colspan="6"># <7:0></td> </tr> <tr> <td colspan="6"># <15:8></td> </tr> </table>	1	m	0	z	m	m	m	m	0	0	1	1	1	1	0	1	# <7:0>						# <15:8>															
1	m	0	z	m	m	m	m																																			
0	0	1	1	1	1	0	1																																			
# <7:0>																																										
# <15:8>																																										

Flags : S Z H V N C

*	*	0	*	0	0
---	---	---	---	---	---

S = MSB value of the result is set.

Z = 1 is set when the result is 0, otherwise 0.

H = Reset to 0.

V = 1 is set when the parity (number of 1s) of dst is even as a result, otherwise 0.
If the operand is 32 bits, an undefined value is set.

N = Cleared to 0.

C = Cleared to 0.

Execution example: XOR HL, IX

When the HL register = 7350H and the IX register = 3456H,
execution sets the HL register to 4706H.

	0111	0011	0101	0000	←	HL register (before execution)
XOR)	<u>0011</u>	<u>0100</u>	<u>0101</u>	<u>0110</u>	←	IX register (before execution)
	0100	0111	0000	0110	←	HL register (after execution)

CPL dst

< Complement >

Operation : dst ← Ones complement of dst

Description : Transfers the value of ones complement (inverted bit of 0/1) of dst to dst.

Details :

Byte	Size		Mnemonic	Code														
	Word	Long word																
○	○	×	CPL r	<table border="1"> <tr> <td>1</td><td>1</td><td>0</td><td>z</td><td>1</td><td>r</td> </tr> <tr> <td>0</td><td>0</td><td>0</td><td>0</td><td>0</td><td>1</td><td>1</td><td>0</td> </tr> </table>	1	1	0	z	1	r	0	0	0	0	0	1	1	0
1	1	0	z	1	r													
0	0	0	0	0	1	1	0											

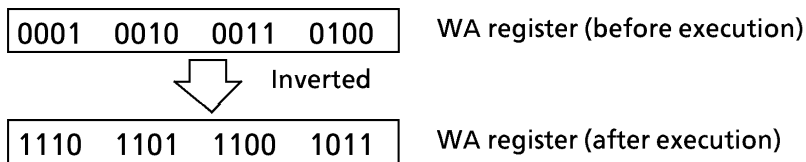
Flags : S Z H V N C

-	-	1	-	1	-
---	---	---	---	---	---

- S = No change
- Z = No change
- H = 1 is set.
- V = No change
- N = 1 is set.
- C = No change

Execution example: CPL WA

When the WA register = 1234H, execution sets the WA register to EDCBH.



LDCF num, src

< Load Carry Flag >

Operation : $CY \leftarrow src <num>$

Description : Loads the contents of bit num of src to the carry flag.

Details :

Byte	Size		Mnemonic	Code																				
	Word	Long word																						
○	○	×	LDCF #4, r	<table border="1"> <tr><td>1</td><td>1</td><td>0</td><td>z</td><td>1</td><td>r</td></tr> <tr><td>0</td><td>0</td><td>1</td><td>0</td><td>0</td><td>0</td><td>1</td><td>1</td></tr> <tr><td>0</td><td>0</td><td>0</td><td>0</td><td>#</td><td>4</td></tr> </table>	1	1	0	z	1	r	0	0	1	0	0	0	1	1	0	0	0	0	#	4
1	1	0	z	1	r																			
0	0	1	0	0	0	1	1																	
0	0	0	0	#	4																			
○	○	×	LDCF A, r	<table border="1"> <tr><td>1</td><td>1</td><td>0</td><td>z</td><td>1</td><td>r</td></tr> <tr><td>0</td><td>0</td><td>1</td><td>0</td><td>1</td><td>0</td><td>1</td><td>1</td></tr> </table>	1	1	0	z	1	r	0	0	1	0	1	0	1	1						
1	1	0	z	1	r																			
0	0	1	0	1	0	1	1																	
○	×	×	LDCF #3, (mem)	<table border="1"> <tr><td>1</td><td>m</td><td>1</td><td>1</td><td>m</td><td>m</td><td>m</td><td>m</td></tr> <tr><td>1</td><td>0</td><td>0</td><td>1</td><td>1</td><td>#</td><td>3</td></tr> </table>	1	m	1	1	m	m	m	m	1	0	0	1	1	#	3					
1	m	1	1	m	m	m	m																	
1	0	0	1	1	#	3																		
○	×	×	LDCF A, (mem)	<table border="1"> <tr><td>1</td><td>m</td><td>1</td><td>1</td><td>m</td><td>m</td><td>m</td><td>m</td></tr> <tr><td>0</td><td>0</td><td>1</td><td>0</td><td>1</td><td>0</td><td>1</td><td>1</td></tr> </table>	1	m	1	1	m	m	m	m	0	0	1	0	1	0	1	1				
1	m	1	1	m	m	m	m																	
0	0	1	0	1	0	1	1																	

Notes : When bit num is specified by the A register, the value of the lower 4 bits of the A register is used as bit num. When the operand is a byte and the value of the lower 4 bits of bit num is from 8 to 15, the value of the carry flag is undefined.

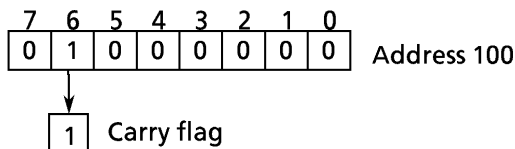
Flags : S Z H V N C

-	-	-	-	-	*
---	---	---	---	---	---

- S = No change
- Z = No change
- H = No change
- V = No change
- N = No change
- C = Contents of bit num of src is set.

Execution example: LDCF 6, (100H)

When the contents of memory address 100 = 01000000B (binary), execution sets the carry flag to 1.



STCF num, dst

< Store Carry Flag >

Operation : dst<num> ← CY

Description : Loads the contents of the carry flag to bit num of dst.

Details :

Byte	Size		Mnemonic	Code																				
	Word	Long word																						
○	○	×	STCF #4, r	<table border="1"> <tr><td>1</td><td>1</td><td>0</td><td>z</td><td>1</td><td>r</td></tr> <tr><td>0</td><td>0</td><td>1</td><td>0</td><td>0</td><td>1</td><td>0</td><td>0</td></tr> <tr><td>0</td><td>0</td><td>0</td><td>0</td><td>#</td><td>4</td></tr> </table>	1	1	0	z	1	r	0	0	1	0	0	1	0	0	0	0	0	0	#	4
1	1	0	z	1	r																			
0	0	1	0	0	1	0	0																	
0	0	0	0	#	4																			
○	○	×	STCF A, r	<table border="1"> <tr><td>1</td><td>1</td><td>0</td><td>z</td><td>1</td><td>r</td></tr> <tr><td>0</td><td>0</td><td>1</td><td>0</td><td>1</td><td>1</td><td>0</td><td>0</td></tr> </table>	1	1	0	z	1	r	0	0	1	0	1	1	0	0						
1	1	0	z	1	r																			
0	0	1	0	1	1	0	0																	
○	×	×	STCF #3, (mem)	<table border="1"> <tr><td>1</td><td>m</td><td>1</td><td>1</td><td>m</td><td>m</td><td>m</td><td>m</td></tr> <tr><td>1</td><td>0</td><td>1</td><td>0</td><td>0</td><td>#</td><td>3</td></tr> </table>	1	m	1	1	m	m	m	m	1	0	1	0	0	#	3					
1	m	1	1	m	m	m	m																	
1	0	1	0	0	#	3																		
○	×	×	STCF A, (mem)	<table border="1"> <tr><td>1</td><td>m</td><td>1</td><td>1</td><td>m</td><td>m</td><td>m</td><td>m</td></tr> <tr><td>0</td><td>0</td><td>1</td><td>0</td><td>1</td><td>1</td><td>0</td><td>0</td></tr> </table>	1	m	1	1	m	m	m	m	0	0	1	0	1	1	0	0				
1	m	1	1	m	m	m	m																	
0	0	1	0	1	1	0	0																	

Note : When bit num is specified by the A register, the value of the lower 4 bits of the A register is used. When the operand is a byte and the value of the lower 4 bits of bit num is from 8 to 15, the operand value does not change.

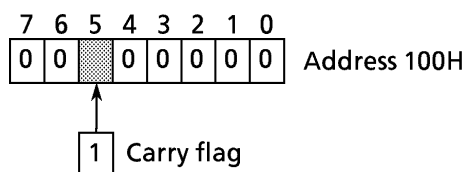
Flags : S Z H V N C

-	-	-	-	-	-
---	---	---	---	---	---

- S = No change
- Z = No change
- H = No change
- V = No change
- N = No change
- C = No change

Execution example: STCF 5, (100H)

When the contents of memory at address 100H = 00H and the carry flag = 1, execution sets the contents of memory at address 100H to 00100000B (binary).



ANDCF num, src

< And Carry Flag >

Operation : $CY \leftarrow CY \text{ and } \text{src} < \text{num} >$

Description : Ands the contents of the carry flag and bit num of src, and transfers the result to the carry flag.

Details :

Byte	Size		Mnemonic	Code																			
	Word	Long word																					
○	○	×	ANDCF #4, r	<table border="1" style="border-collapse: collapse; text-align: center;"> <tr><td>1</td><td>1</td><td>0</td><td>z</td><td>1</td><td>r</td></tr> <tr><td>0</td><td>0</td><td>1</td><td>0</td><td>0</td><td>0</td><td>0</td></tr> <tr><td>0</td><td>0</td><td>0</td><td>0</td><td>#</td><td>4</td></tr> </table>	1	1	0	z	1	r	0	0	1	0	0	0	0	0	0	0	0	#	4
1	1	0	z	1	r																		
0	0	1	0	0	0	0																	
0	0	0	0	#	4																		
○	○	×	ANDCF A, r	<table border="1" style="border-collapse: collapse; text-align: center;"> <tr><td>1</td><td>1</td><td>0</td><td>z</td><td>1</td><td>r</td></tr> <tr><td>0</td><td>0</td><td>1</td><td>0</td><td>1</td><td>0</td><td>0</td></tr> </table>	1	1	0	z	1	r	0	0	1	0	1	0	0						
1	1	0	z	1	r																		
0	0	1	0	1	0	0																	
○	×	×	ANDCF #3, (mem)	<table border="1" style="border-collapse: collapse; text-align: center;"> <tr><td>1</td><td>m</td><td>1</td><td>1</td><td>m</td><td>m</td><td>m</td></tr> <tr><td>1</td><td>0</td><td>0</td><td>0</td><td>0</td><td>#</td><td>3</td></tr> </table>	1	m	1	1	m	m	m	1	0	0	0	0	#	3					
1	m	1	1	m	m	m																	
1	0	0	0	0	#	3																	
○	×	×	ANDCF A, (mem)	<table border="1" style="border-collapse: collapse; text-align: center;"> <tr><td>1</td><td>m</td><td>1</td><td>1</td><td>m</td><td>m</td><td>m</td></tr> <tr><td>0</td><td>0</td><td>1</td><td>0</td><td>1</td><td>0</td><td>0</td></tr> </table>	1	m	1	1	m	m	m	0	0	1	0	1	0	0					
1	m	1	1	m	m	m																	
0	0	1	0	1	0	0																	

Notes : When bit num is specified by the A register, the value of the lower 4 bits of the A register is used as bit num. When the operand is a byte and the value of the lower 4 bits of bit num is from 8 to 15, the result is undefined.

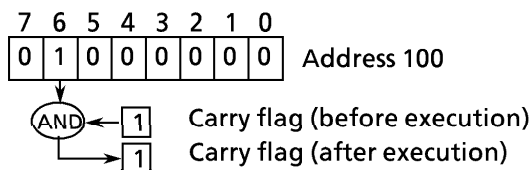
Flags : S Z H V N C

-	-	-	-	-	*
---	---	---	---	---	---

- S = No change
- Z = No change
- H = No change
- V = No change
- N = No change
- C = The value obtained by anding the contents of the carry flag and the bit num of src is set.

Execution example: ANDCF 6,(100H)

When the contents of memory address 100 = 01000000B (binary) and the carry flag = 1, execution sets the carry flag to 1.



ORCF num, src

< OR Carry Flag >

Operation : $CY \leftarrow CY \text{ OR } \text{src} \langle \text{num} \rangle$

Description : Ors the contents of the carry flag with those of bit num of src and loads the result to the carry flag.

Details :

Byte	Size		Mnemonic	Code																				
	Word	Long word																						
○	○	×	ORCF #4, r	<table border="1"> <tr><td>1</td><td>1</td><td>0</td><td>z</td><td>1</td><td>r</td></tr> <tr><td>0</td><td>0</td><td>1</td><td>0</td><td>0</td><td>0</td><td>0</td><td>1</td></tr> <tr><td>0</td><td>0</td><td>0</td><td>0</td><td>#</td><td>4</td></tr> </table>	1	1	0	z	1	r	0	0	1	0	0	0	0	1	0	0	0	0	#	4
1	1	0	z	1	r																			
0	0	1	0	0	0	0	1																	
0	0	0	0	#	4																			
○	○	×	ORCF A, r	<table border="1"> <tr><td>1</td><td>1</td><td>0</td><td>z</td><td>1</td><td>r</td></tr> <tr><td>0</td><td>0</td><td>1</td><td>0</td><td>1</td><td>0</td><td>0</td><td>1</td></tr> </table>	1	1	0	z	1	r	0	0	1	0	1	0	0	1						
1	1	0	z	1	r																			
0	0	1	0	1	0	0	1																	
○	×	×	ORCF #3, (mem)	<table border="1"> <tr><td>1</td><td>m</td><td>1</td><td>1</td><td>m</td><td>m</td><td>m</td><td>m</td></tr> <tr><td>1</td><td>0</td><td>0</td><td>0</td><td>1</td><td>#</td><td>3</td></tr> </table>	1	m	1	1	m	m	m	m	1	0	0	0	1	#	3					
1	m	1	1	m	m	m	m																	
1	0	0	0	1	#	3																		
○	×	×	ORCF A, (mem)	<table border="1"> <tr><td>1</td><td>m</td><td>1</td><td>1</td><td>m</td><td>m</td><td>m</td><td>m</td></tr> <tr><td>0</td><td>0</td><td>1</td><td>0</td><td>1</td><td>0</td><td>0</td><td>1</td></tr> </table>	1	m	1	1	m	m	m	m	0	0	1	0	1	0	0	1				
1	m	1	1	m	m	m	m																	
0	0	1	0	1	0	0	1																	

Note : When bit num is specified by the A register, the value of the lower 4 bits of the A register is used as bit num. When the operand is a byte and the value of the lower bits of bit num is from 8 to 15, the result is undefined.

flag :

S	Z	H	V	N	C
-	-	-	-	-	*

S = No change

Z = No change

H = No change

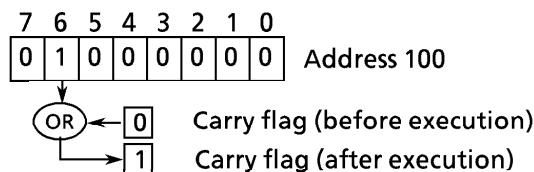
V = No change

N = No change

C = The result of or-ing the contents of the carry flag with those of bit num of src is set.

Execution example: ORCF 6, (100H)

When the contents of memory at address 100H = 01000000B (binary) and the carry flag = 0, execution sets the carry flag to 1.



XORCF num, src

< Exclusive OR Carry Flag >

Operation : $CY \leftarrow CY \text{ XOR } src \langle num \rangle$

Description : Exclusive ors the contents of the carry flag and bit num of src, and loads the result to the carry flag.

Details :

Byte	Size		Mnemonic	Code																				
	Word	Long word																						
○	○	×	XORCF #4, r	<table border="1"> <tr><td>1</td><td>1</td><td>0</td><td>z</td><td>1</td><td>r</td></tr> <tr><td>0</td><td>0</td><td>1</td><td>0</td><td>0</td><td>0</td><td>1</td><td>0</td></tr> <tr><td>0</td><td>0</td><td>0</td><td>0</td><td>#</td><td>4</td></tr> </table>	1	1	0	z	1	r	0	0	1	0	0	0	1	0	0	0	0	0	#	4
1	1	0	z	1	r																			
0	0	1	0	0	0	1	0																	
0	0	0	0	#	4																			
○	○	×	XORCF A, r	<table border="1"> <tr><td>1</td><td>1</td><td>0</td><td>z</td><td>1</td><td>r</td></tr> <tr><td>0</td><td>0</td><td>1</td><td>0</td><td>1</td><td>0</td><td>1</td><td>0</td></tr> </table>	1	1	0	z	1	r	0	0	1	0	1	0	1	0						
1	1	0	z	1	r																			
0	0	1	0	1	0	1	0																	
○	×	×	XORCF #3, (mem)	<table border="1"> <tr><td>1</td><td>m</td><td>1</td><td>1</td><td>m</td><td>m</td><td>m</td><td>m</td></tr> <tr><td>1</td><td>0</td><td>0</td><td>1</td><td>0</td><td>#</td><td>3</td></tr> </table>	1	m	1	1	m	m	m	m	1	0	0	1	0	#	3					
1	m	1	1	m	m	m	m																	
1	0	0	1	0	#	3																		
○	×	×	XORCF A, (mem)	<table border="1"> <tr><td>1</td><td>m</td><td>1</td><td>1</td><td>m</td><td>m</td><td>m</td><td>m</td></tr> <tr><td>0</td><td>0</td><td>1</td><td>0</td><td>1</td><td>0</td><td>1</td><td>0</td></tr> </table>	1	m	1	1	m	m	m	m	0	0	1	0	1	0	1	0				
1	m	1	1	m	m	m	m																	
0	0	1	0	1	0	1	0																	

Note : When bit num is specified by the A register, the value of the lower 4 bits of the A register is used. When the operand is a byte and the value of the lower 4 bits of bit num is from 8 to 15, the result is undefined.

Flags : S Z H V N C

-	-	-	-	-	*
---	---	---	---	---	---

S = No change

Z = No change

H = No change

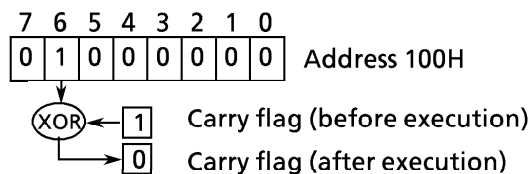
V = No change

N = No change

C = The value obtained by exclusive or-ing the contents of the carry flag with those of bit num of src is set.

Execution example: XORCF 6, (100H)

When the contents of memory at address 100H = 01000000B (binary) and the carry flag = 1, execution sets the carry flag to 0.



RCF

< Reset Carry Flag >

Operation : $CY \leftarrow 0$

Description : Resets the carry flag to 0.

Details :

Mnemonic

Code

RCF

0	0	0	1	0	0	0	0
---	---	---	---	---	---	---	---

Flags : S Z H V N C

-	-	0	-	0	0
---	---	---	---	---	---

S = No change

Z = No change

H = Reset to 0.

V = Reset to 0.

N = No change

C = Reset to 0.

SCF

< Set Carry Flag >

Operation : $CY \leftarrow 1$

Description : Sets the carry flag to 1.

Details :

Mnemonic

Code

SCF

0	0	0	1	0	0	0	1
---	---	---	---	---	---	---	---

Flags : S Z H V N C

-	-	0	-	0	1
---	---	---	---	---	---

S = No change

Z = No change

H = Reset to 0.

V = No change

N = Reset to 0.

C = Set to 1.

CCF

< Complement Carry Flag >

Operation : $CY \leftarrow \text{inverted value of } CY$

Description : Inverts the contents of the carry flag.

Details :

Mnemonic

Code

CCF

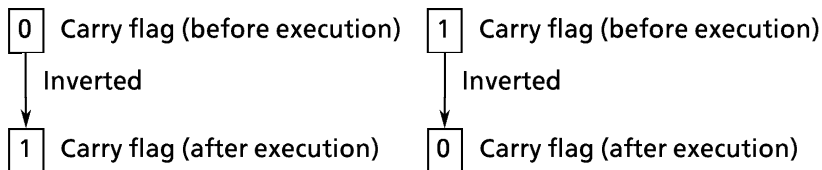
0	0	0	1	0	0	1	0
---	---	---	---	---	---	---	---

Flags :

S	Z	H	V	N	C
-	-	×	-	0	*

- S = No change
- Z = No change
- H = An undefined value is set.
- V = No change
- N = Reset to 0.
- C = Inverted value of itself is set.

Execution example: When the carry flag = 0, executing CCF sets the carry flag to 1; executing CCF again sets the carry flag to 0.



ZCF

< Zero flag to Carry Flag >

Operation : $CY \leftarrow$ inverted value of Z flag

Description : Loads the inverted value of the Z flag to the carry flag.

Details :

Mnemonic

Code

ZCF

0	0	0	1	0	0	1	1
---	---	---	---	---	---	---	---

Flags : S Z H V N C

-	-	×	-	0	*
---	---	---	---	---	---

S = No change

Z = No change

H = An undefined value is set.

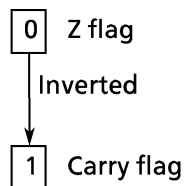
V = No change

N = Reset to 0.

C = The inverted value of the Z flag is set.

Execution example: ZCF

When the Z flag = 0, execution sets the carry flag to 1.



BIT num, src

< Bit test >

Operation : Z flag ← inverted value of src < num >

Description : Transfers the inverted value of the bit num of src to the Z flag.

Details :

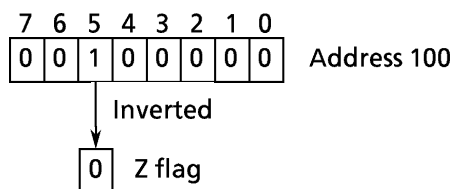
Byte	Size		Mnemonic	Code																								
	Word	Long word																										
○	○	×	BIT #4, r	<table border="1"> <tr><td>1</td><td>1</td><td>0</td><td>z</td><td>1</td><td></td><td>r</td><td></td></tr> <tr><td>0</td><td>0</td><td>1</td><td>1</td><td>0</td><td>0</td><td>1</td><td>1</td></tr> <tr><td>0</td><td>0</td><td>0</td><td>0</td><td></td><td></td><td>#</td><td>4</td></tr> </table>	1	1	0	z	1		r		0	0	1	1	0	0	1	1	0	0	0	0			#	4
1	1	0	z	1		r																						
0	0	1	1	0	0	1	1																					
0	0	0	0			#	4																					
○	×	×	BIT #3, (mem)	<table border="1"> <tr><td>1</td><td>m</td><td>1</td><td>1</td><td>m</td><td>m</td><td>m</td><td>m</td></tr> <tr><td>1</td><td>1</td><td>0</td><td>0</td><td>1</td><td></td><td>#</td><td>3</td></tr> </table>	1	m	1	1	m	m	m	m	1	1	0	0	1		#	3								
1	m	1	1	m	m	m	m																					
1	1	0	0	1		#	3																					

Flags : S Z H V N C

×	*	1	×	0	-
---	---	---	---	---	---

- S = An undefined value is set.
- Z = The inverted value of src < num > is set.
- H = 1 is set.
- V = An undefined value is set.
- N = Reset to 0.
- C = No change

Execution example: BIT 5,(100H)
 When the contents of memory address 100 = 00100000B (binary), execution sets the Z flag to 0.



RES num, dst

< Reset >

Operation : dst <num> ← 0

Description : Resets bit num of dst to 0.

Details :

Byte	Size		Mnemonic	Code																								
	Word	Long word																										
○	○	×	RES #4, r	<table border="1"> <tr> <td>1</td><td>1</td><td>0</td><td>z</td><td>1</td><td></td><td>r</td><td></td> </tr> <tr> <td>0</td><td>0</td><td>1</td><td>1</td><td>0</td><td>0</td><td>0</td><td>0</td> </tr> <tr> <td>0</td><td>0</td><td>0</td><td>0</td><td></td><td>#</td><td>4</td><td></td> </tr> </table>	1	1	0	z	1		r		0	0	1	1	0	0	0	0	0	0	0	0		#	4	
1	1	0	z	1		r																						
0	0	1	1	0	0	0	0																					
0	0	0	0		#	4																						
○	×	×	RES #3, (mem)	<table border="1"> <tr> <td>1</td><td>m</td><td>1</td><td>1</td><td>m</td><td>m</td><td>m</td><td>m</td> </tr> <tr> <td>1</td><td>0</td><td>1</td><td>1</td><td>0</td><td></td><td>#3</td><td></td> </tr> </table>	1	m	1	1	m	m	m	m	1	0	1	1	0		#3									
1	m	1	1	m	m	m	m																					
1	0	1	1	0		#3																						

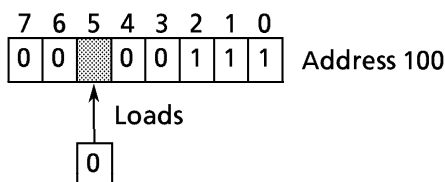
Flags : S Z H V N C

-	-	-	-	-	-
---	---	---	---	---	---

- S = No change
- Z = No change
- H = No change
- V = No change
- N = No change
- C = No change

Execution example: RES 5, (100H)

When the contents of memory at address 100H = 00100111B (binary), execution sets the contents to 00000111B (binary).



SET num, dst

< Set >

Operation : dst <num> ← 1

Description : Sets bit num of dst to 1.

Details :

Byte	Size		Mnemonic		Code																								
	Word	Long word																											
○	○	×	SET	#4, r	<table border="1"> <tr> <td>1</td><td>1</td><td>0</td><td>z</td><td>1</td><td></td><td>r</td><td></td> </tr> <tr> <td>0</td><td>0</td><td>1</td><td>1</td><td>0</td><td>0</td><td>0</td><td>1</td> </tr> <tr> <td>0</td><td>0</td><td>0</td><td>0</td><td></td><td>#</td><td>4</td><td></td> </tr> </table>	1	1	0	z	1		r		0	0	1	1	0	0	0	1	0	0	0	0		#	4	
1	1	0	z	1		r																							
0	0	1	1	0	0	0	1																						
0	0	0	0		#	4																							
○	×	×	SET	#3, (mem)	<table border="1"> <tr> <td>1</td><td>m</td><td>1</td><td>1</td><td>m</td><td>m</td><td>m</td><td>m</td> </tr> <tr> <td>1</td><td>0</td><td>1</td><td>1</td><td>1</td><td></td><td>#3</td><td></td> </tr> </table>	1	m	1	1	m	m	m	m	1	0	1	1	1		#3									
1	m	1	1	m	m	m	m																						
1	0	1	1	1		#3																							

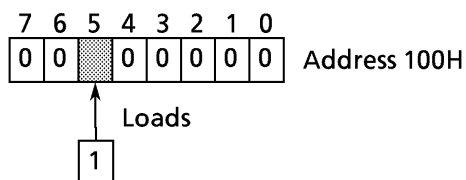
Flags : S Z H V N C

-	-	-	-	-	-
---	---	---	---	---	---

- S = No change
- Z = No change
- H = No change
- V = No change
- N = No change
- C = No change

Execution example: SET 5, (100H)

When the contents of memory at address 100H = 00000000B (binary), execution sets the contents of memory at address 100H to 00100000B (binary).



CHG num, dst

< Change >

Operation : dst<num> ← Inverted value of dst<num>

Description : Inverts the value of bit num of dst.

Details :

Size			Mnemonic	Code																		
Byte	Word	Long word																				
○	○	×	CHG #4, r	<table border="1"> <tr> <td>1</td><td>1</td><td>0</td><td>z</td><td>1</td><td>r</td> </tr> <tr> <td>0</td><td>0</td><td>1</td><td>1</td><td>0</td><td>0</td> </tr> <tr> <td>0</td><td>0</td><td>0</td><td>0</td><td colspan="2">#4</td> </tr> </table>	1	1	0	z	1	r	0	0	1	1	0	0	0	0	0	0	#4	
1	1	0	z	1	r																	
0	0	1	1	0	0																	
0	0	0	0	#4																		
○	×	×	CHG #3, (mem)	<table border="1"> <tr> <td>1</td><td>m</td><td>1</td><td>1</td><td>m</td><td>m</td> </tr> <tr> <td>1</td><td>1</td><td>0</td><td>0</td><td>0</td><td>#3</td> </tr> </table>	1	m	1	1	m	m	1	1	0	0	0	#3						
1	m	1	1	m	m																	
1	1	0	0	0	#3																	

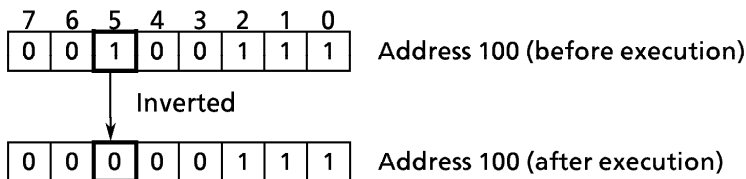
Flags : S Z H V N C

-	-	-	-	-	-
---	---	---	---	---	---

- S = No change
- Z = No change
- H = No change
- V = No change
- N = No change
- C = No change

Execution example: CHG 5,(100H)

When the contents of memory address 100 = 00100111B (binary), execution sets the contents to 0000111B (binary).



TSET num, dst

< Test and Set >

Operation : Z flag ← inverted value of dst <num>
dst <num> ← 1

Description : Loads the inverted value of the bit num of dst to the Z flag.
Then the bit num of dst is set to "1".

Details :

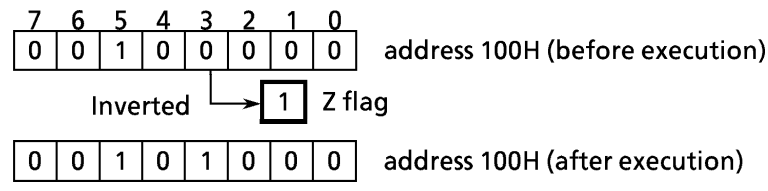
Size			Mnemonic	Code																		
byte	word	long word																				
○	○	×	TSET #4, r	<table border="1" style="width: 100%; text-align: center;"> <tr> <td>1</td><td>1</td><td>z</td><td>z</td><td>1</td><td>r</td> </tr> <tr> <td>0</td><td>0</td><td>1</td><td>1</td><td>0</td><td>1</td> </tr> <tr> <td>0</td><td>0</td><td>0</td><td>0</td><td>#</td><td>4</td> </tr> </table>	1	1	z	z	1	r	0	0	1	1	0	1	0	0	0	0	#	4
1	1	z	z	1	r																	
0	0	1	1	0	1																	
0	0	0	0	#	4																	
○	×	×	TSET #3, (mem)	<table border="1" style="width: 100%; text-align: center;"> <tr> <td>1</td><td>m</td><td>1</td><td>1</td><td>m</td><td>m</td><td>m</td> </tr> <tr> <td>1</td><td>0</td><td>1</td><td>0</td><td>1</td><td>#</td><td>3</td> </tr> </table>	1	m	1	1	m	m	m	1	0	1	0	1	#	3				
1	m	1	1	m	m	m																
1	0	1	0	1	#	3																

Flags : S Z H V N C

×	*	1	×	0	-
---	---	---	---	---	---

- S = An undefined value is set.
- Z = The inverted value of the src <num> is set.
- H = Set to 1
- V = An undefined value is set.
- N = Set to 0
- C = No change

Execution example: When the contents of memory at address 100H=00100000B (binary), TSET 3, (100H) execution sets the Z flag to 1, the contents of memory at address 100H=00101000B (binary).



BS1B dst, src

< Bit Search 1 Backward >

Operation : dst ← src backward searched value

Description : Searches the src bit pattern backward (from MSB to LSB) for the first bit set to 1 and transfers the bit number to dst.

Details :

Size			Mnemonic	Code												
Byte	Word	Long word														
×	○	×	BS1B A, r	<table border="1"> <tr> <td>1</td><td>1</td><td>0</td><td>1</td><td>1</td> <td>r</td> </tr> <tr> <td>0</td><td>0</td><td>0</td><td>0</td><td>1</td> <td>1 1 1</td> </tr> </table>	1	1	0	1	1	r	0	0	0	0	1	1 1 1
1	1	0	1	1	r											
0	0	0	0	1	1 1 1											

Note : dst in the operand must be the A register; src must be the register in words. If no bit set to 1 is found in the searched bit pattern, sets the A register to an undefined value and the V flag to 1.

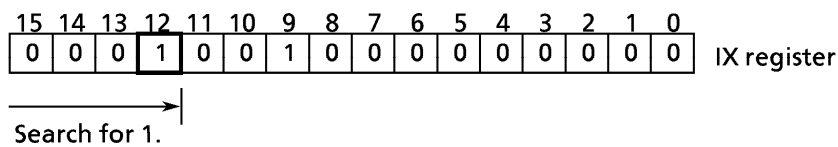
Flags :

S	Z	H	V	N	C
-	-	-	*	-	-

- S = No change
- Z = No change
- H = No change
- V = 1 is set if the contents of src are all 0s (no bit is set to 1), otherwise 0.
- N = No change
- C = No change

Execution example: BS1B A,IX

When the IX register = 1200H, execution sets the A register to 0CH.



BS1F dst, src

< Bit Search 1 Forward >

Operation : dst ← src forward searched result

Description : Searches the src bit pattern forward (from LSB to MSB) for the first bit set to 1 and transfers the bit number to dst.

Details :

Size			Mnemonic	Code														
Byte	Word	Long word																
×	○	×	BS1F A, r	<table border="1"> <tr> <td>1</td><td>1</td><td>0</td><td>1</td><td>1</td> <td>r</td> </tr> <tr> <td>0</td><td>0</td><td>0</td><td>0</td><td>1</td><td>1</td><td>1</td><td>0</td> </tr> </table>	1	1	0	1	1	r	0	0	0	0	1	1	1	0
1	1	0	1	1	r													
0	0	0	0	1	1	1	0											

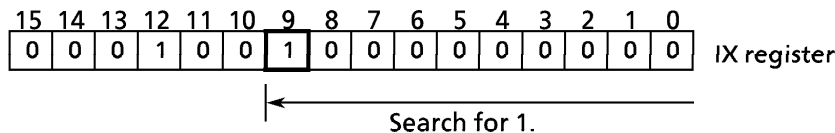
Note : dst in the operand must be the A register; src must be a register in words.
 If no bit set to 1 is found in the searched bit pattern, sets the A register to an undefined value and the V flag to 1.

Flags : S Z H V N C

-	-	-	*	-	-
---	---	---	---	---	---

- S = No change
- Z = No change
- H = No change
- V = 1 is set if the contents of src are all 0s (no bit is set to 1), otherwise 0.
- N = No change
- C = No change

Execution example: BS1F A,IX
 When the IX register = 1200H, execution sets the A register to 09H.



NOP

<No Operation>

Operation : None.

Description : Does nothing but moves execution to the next instruction. The object code of this instruction is 00H.

Details :

Mnemonic	Code
NOP	0 0 0 0 0 0 0 0

Flags : S Z H V N C

-	-	-	-	-	-
---	---	---	---	---	---

S = No change

Z = No change

H = No change

V = No change

N = No change

C = No change

NORMAL
 < Normal >
 This is privileged instruction in 900.

Operation : SYSM bit ←0

Description : Resets the SYSM bit in status register to 0 and changes the CPU to normal mode.

Details :

	Mnemonic	Code									
	NORMAL	<table border="1" style="display: inline-table; border-collapse: collapse;"> <tr> <td style="padding: 2px 5px;">0</td> <td style="padding: 2px 5px;">0</td> <td style="padding: 2px 5px;">0</td> <td style="padding: 2px 5px;">0</td> <td style="padding: 2px 5px;">0</td> <td style="padding: 2px 5px;">0</td> <td style="padding: 2px 5px;">0</td> <td style="padding: 2px 5px;">0</td> <td style="padding: 2px 5px;">1</td> </tr> </table>	0	0	0	0	0	0	0	0	1
0	0	0	0	0	0	0	0	1			

Flags : S Z H V N C

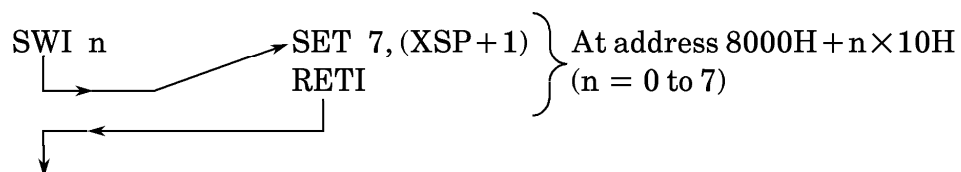
-	-	-	-	-	-
---	---	---	---	---	---

- S = No change
- Z = No change
- H = No change
- V = No change
- N = No change
- C = No change

Note : Basically, only the software interrupt (SWI) instruction changes the mode from normal to system by software. The following change the mode :

- (1) SWI
- (2) Privilege violation interrupt
- (3) Illegal instruction interrupt
- (4) Hardware interrupt
- (5) Reset

The SWI instruction is used to change the mode to system in the middle of program execution, as shown below.



MAX
 <Maximum>
 This is privileged instruction in 900.

Operation : Max bit ← 1

Description : Sets the MAX bit in status register to 1. Changes the CPU operation mode to maximum.

Details :

Mnemonic

Code

MAX

0	0	0	0	0	1	0	0
---	---	---	---	---	---	---	---

Flags : S Z H V N C

-	-	-	-	-	-
---	---	---	---	---	---

- S = No change
- Z = No change
- H = No change
- V = No change
- N = No change
- C = No change

Note : Basically, there is no instruction for changing from maximum to minimum mode. However, if it is absolutely necessary, execute either of the following ways but it is in system mode only.

- (1) PUSH SR
- RES 3, (XSP + 1)
- POP SR

EI num

<Enable Interrupt>

This is privileged instruction in 900_CPU.

Operation : IFF <2:0> ← num

Description : Sets the contents of the IFF<2:0> in the status register to num. After execution, the CPU interrupt receive level becomes num.

Details :

Mnemonic

Code

EI [#3]

0	0	0	0	0	1	1	0
0	0	0	0	0	#3		

Note : A value from 0 to 7 can be specified as the operand value. If the operand is omitted, the default value is "0" (EI 0).

 Flags : S Z H V N C

-	-	-	-	-	-
---	---	---	---	---	---

S = No change

Z = No change

H = No change

V = No change

N = No change

C = No change

DI

<Disable Interrupt>

This is privileged instruction in 900_CPU.

Operation : IFF<2:0> ← 7

Description : Sets the contents of the interrupt enable flag (IFF) <2:0> in status register to 7. After execution, only non-maskable interrupts (interrupt level 7) can be received.

Details :

Mnemonic

Code

DI

0	0	0	0	0	1	1	0
0	0	0	0	0	1	1	1

Flags : S Z H V N C

-	-	-	-	-	-
---	---	---	---	---	---

S = No change

Z = No change

H = No change

V = No change

N = No change

C = No change

PUSH SR

<Push SR>

This is privileged instruction in 900.

Operation : $(-XSP) \leftarrow SR$

Description : Decrements the contents of the stack pointer XSP by 2. Then loads the contents of status register to the memory address specified by the stack pointer XSP.

Details :

Byte	Size		Mnemonic	Code
	Word	Long word		
×	○	×	PUSH SR	0 0 0 0 0 0 1 0

Flags : S Z H V N C

-	-	-	-	-	-
---	---	---	---	---	---

S = No change

Z = No change

H = No change

V = No change

N = No change

C = No change

POP SR

< Pop SR >

This is privileged instruction in 900.

Operation : $SR \leftarrow (XSP+)$

Description : Loads the contents of the address specified by the stack pointer XSP to status register. Then increments the contents of the stack pointer XSP by 2.

Details :

Byte	Size		Mnemonic		Code
	Word	Long word			
×	○	×	POP	SR	0 0 0 0 0 0 1 1

Flags : S Z H V N C

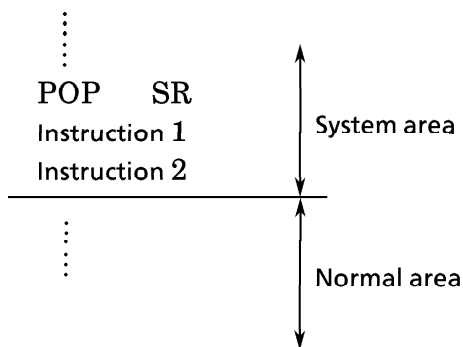
*	*	*	*	*	*
---	---	---	---	---	---

S =
 Z =
 H =
 V =
 N =
 C =

} Contents of the memory address specified by the stack pointer XSP are set.

Note : The timing for executing this instruction is delayed by several states than that for fetching the instruction. This is because an instruction queue (4 bytes) and pipeline processing method is used.

Note, when changing from the system area to the normal area using this instruction, that the access area of the instruction code immediately after this instruction is used as the access area before execution of this instruction. The figure below is an example.



SWI num

< Software Interrupt >

Operation : [The case of 900]

- 1) Temp←SR
- 2) SYSM bit←1
- 3) XSP←XSP−4 …in minimum mode
or
XSP←XSP−6 …in maximum mode
- 4) (XSP)←Temp
- 5) (XSP+2)←16 bit PC …in minimum mode
or
(XSP+2)←32 bit PC …in maximum mode
- 6) PC←8000H+num×10H

Description : After the mode is changed to system mode, the 900_CPU saves to the stack area the contents of the status register before execution of the SWI instruction and contents of the program counter which indicate the address next to the SWI instruction. Finally, jumps to address 8000H+num×10H.

Details :

Mnemonic

Code

SWI [#3]

1	1	1	1	1	1	#3
---	---	---	---	---	---	----

Note 1 : A value from 0 to 7 can be specified as the operand value. When the operand coding is omitted, SWI 7 is assumed.

Note 2 : The status register structure is as shown below.

15	14	13	12	11	10	9	8	7	6	5	4	3	2	1	0
SYSM	IFF2	IFF1	IFF0	MAX	RFP2	RFP1	RFP0	S	Z	"0"	H	"0"	V	N	C

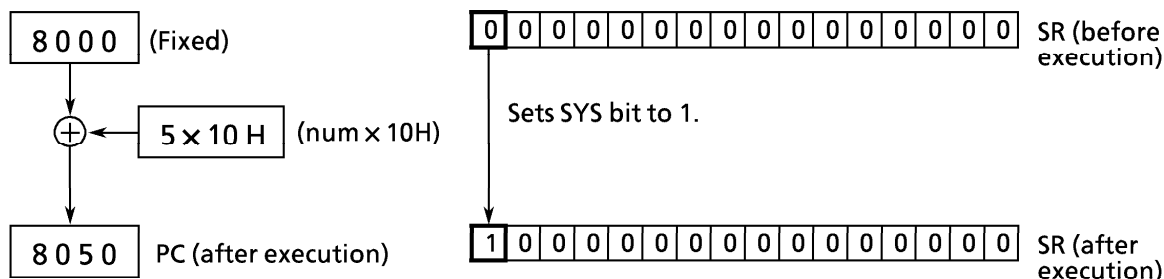
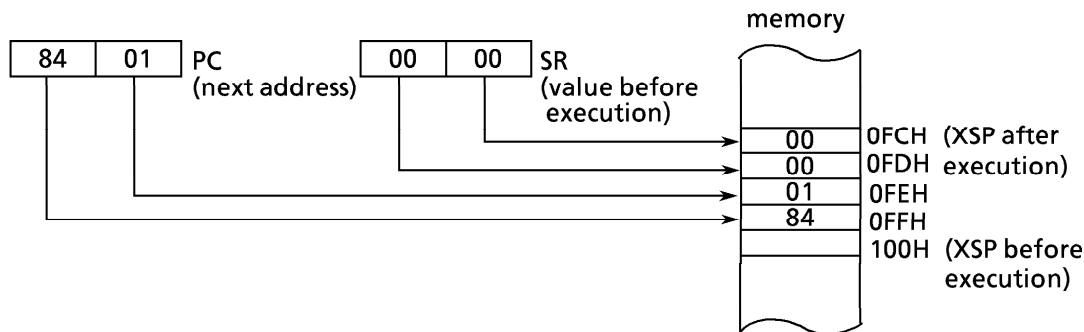
Flags : S Z H V N C

-	-	-	-	-	-
---	---	---	---	---	---

- S = No change
- Z = No change
- H = No change
- V = No change
- N = No change
- C = No change

Execution example: SWI 5

In minimum mode, when the stack pointer XSP = 100H, the status register = 0000H, executing the above instruction at memory address 8400H sets the status register to 8000H, writes the contents of the previous status register 0000H in memory address 00FCH, and the contents of the program counter 8401H in memory address 00FEH, then jumps to address 8050H.



HALT

< Halt CPU >

This is privileged instruction in 900_CPU.

Operation : CPU halt

Description : Halts the instruction execution. To resume, an interrupt must be received.

Details :

Mnemonic

Code

HALT

0	0	0	0	0	1	0	1
---	---	---	---	---	---	---	---

Flags : S Z H V N C

-	-	-	-	-	-
---	---	---	---	---	---

- S = No change
- Z = No change
- H = No change
- V = No change
- N = No change
- C = No change

LDC dst, src

< Load Control Register >

This is privileged instruction in 900_CPU.

Operation : dst ← src

Description : Loads the contents of src to dst.

Details :

Byte	Size		Mnemonic		Code																								
	Word	Long word																											
○	○	○	LDC	cr, r	<table border="1" style="width: 100%; text-align: center;"> <tr> <td>1</td><td>1</td><td>z</td><td>z</td><td>1</td><td></td><td>r</td><td></td> </tr> <tr> <td>0</td><td>0</td><td>1</td><td>0</td><td>1</td><td>1</td><td>1</td><td>0</td> </tr> <tr> <td colspan="8">cr</td> </tr> </table>	1	1	z	z	1		r		0	0	1	0	1	1	1	0	cr							
1	1	z	z	1		r																							
0	0	1	0	1	1	1	0																						
cr																													
○	○	○	LDC	r, cr	<table border="1" style="width: 100%; text-align: center;"> <tr> <td>1</td><td>1</td><td>z</td><td>z</td><td>1</td><td></td><td>r</td><td></td> </tr> <tr> <td>0</td><td>0</td><td>1</td><td>0</td><td>1</td><td>1</td><td>1</td><td>1</td> </tr> <tr> <td colspan="8">cr</td> </tr> </table>	1	1	z	z	1		r		0	0	1	0	1	1	1	1	cr							
1	1	z	z	1		r																							
0	0	1	0	1	1	1	1																						
cr																													

Flags : S Z H V N C

-	-	-	-	-	-
---	---	---	---	---	---

- S = No change
- Z = No change
- H = No change
- V = No change
- N = No change
- C = No change

Execution example: LDC DMAC0, WA

When the WA register = 1234H, execution sets control register DMAC0 to 1234H.

LDX dst, src

< Load eXtract >

Operation : dst ← src

Description : Loads the contents of src to dst. The effective code is assigned to this instruction every other byte. Used to fetch the code from 8-bit data bus memory in 16-bit data bus mode.

Details :

Byte	Size		Mnemonic	Code																																																
	Word	Long word																																																		
○	×	×	LDX (#8), #	<table border="1"> <tr><td>1</td><td>1</td><td>1</td><td>1</td><td>0</td><td>1</td><td>1</td><td>1</td></tr> <tr><td>0</td><td>0</td><td>0</td><td>0</td><td>0</td><td>0</td><td>0</td><td>0</td></tr> <tr><td colspan="8" style="text-align:center">#8</td></tr> <tr><td>0</td><td>0</td><td>0</td><td>0</td><td>0</td><td>0</td><td>0</td><td>0</td></tr> <tr><td colspan="8" style="text-align:center">#</td></tr> <tr><td>0</td><td>0</td><td>0</td><td>0</td><td>0</td><td>0</td><td>0</td><td>0</td></tr> </table>	1	1	1	1	0	1	1	1	0	0	0	0	0	0	0	0	#8								0	0	0	0	0	0	0	0	#								0	0	0	0	0	0	0	0
1	1	1	1	0	1	1	1																																													
0	0	0	0	0	0	0	0																																													
#8																																																				
0	0	0	0	0	0	0	0																																													
#																																																				
0	0	0	0	0	0	0	0																																													

Note : Even if the second, fourth, or sixth instruction code value is not 00H, the instruction operates correctly.

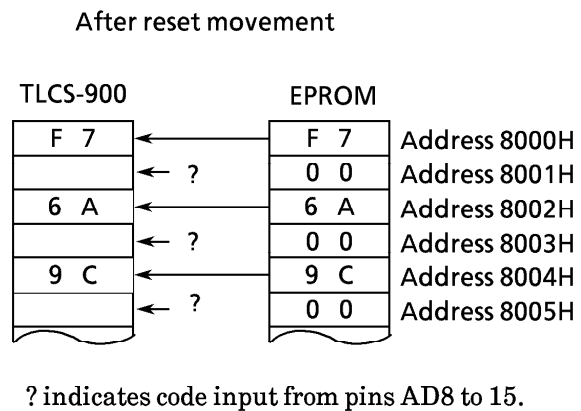
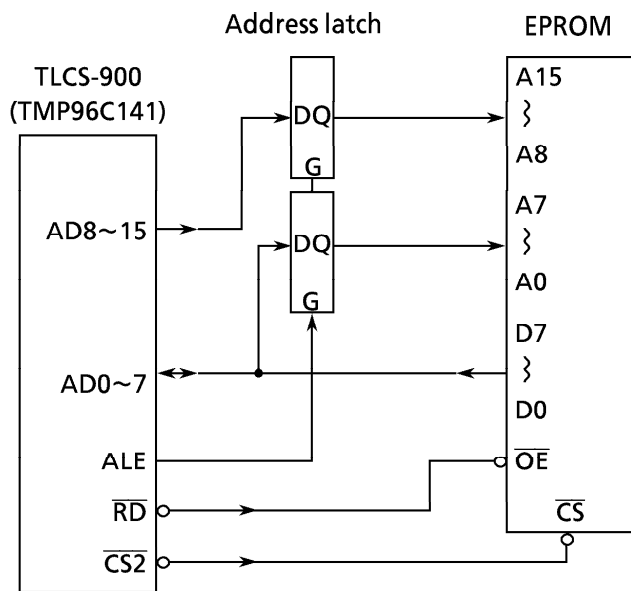
Flags : S Z H V N C

-	-	-	-	-	-
---	---	---	---	---	---

- S = No change
- Z = No change
- H = No change
- V = No change
- N = No change
- C = No change

Execution example: LDX (6AH), 9CH

Using the TMP96C141, the example executes the program using an EPROM which has an 8-bit data bus. After reset, starts fetching the program code in 16-bit data bus mode. When the program starts with an external memory with an 8-bit data bus, loads the above instruction to the start address, 8000H. Execution writes the 9CH data to the control register at address 6AH of the built-in programmable chip select/wait controller. As a result, memory addresses 8000H to 3FFFFFFH enters 8-bit data bus 0WAIT mode.



LINK dst, num

< Link >

Operation : $(-XSP) \leftarrow dst, dst \leftarrow XSP, XSP \leftarrow XSP + num$

Description : Saves the contents of dst to the stack area. Loads the contents of stack pointer XSP to dst. Adds the contents of XSP to those of num (signed) and loads the result to XSP. Used for obtaining a local variable area in the stack area for -num bytes.

Details :

Byte	Size		Mnemonic	Code																										
	Word	Long word																												
×	×	○	LINK r, d16	<table border="1"> <tr> <td>1</td><td>1</td><td>1</td><td>0</td><td>1</td> <td>r</td> </tr> <tr> <td>0</td><td>0</td><td>0</td><td>0</td><td>1</td> <td>1</td><td>0</td><td>0</td> </tr> <tr> <td colspan="6">d<7:0></td> </tr> <tr> <td colspan="6">d<15:8></td> </tr> </table>	1	1	1	0	1	r	0	0	0	0	1	1	0	0	d<7:0>						d<15:8>					
1	1	1	0	1	r																									
0	0	0	0	1	1	0	0																							
d<7:0>																														
d<15:8>																														

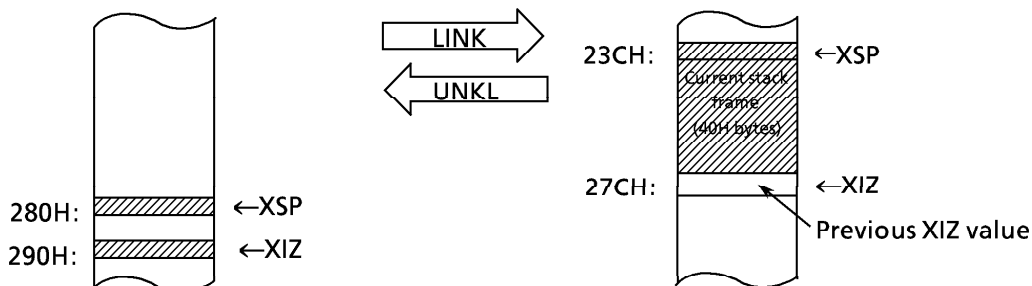
Flags :

S	Z	H	V	N	C
-	-	-	-	-	-

- S = No change
- Z = No change
- H = No change
- V = No change
- N = No change
- C = No change

Execution example: LINK XIZ, -40H

When stack pointer XSP = 280H and the XIZ register = 290H, execution writes 00000290H (long data) at memory address 27CH and sets the XIZ register to 27CH and the stack pointer to XSP 23CH.



UNLK dst

< Unlink >

Operation : XSP ← dst, dst ← (XSP+)

Description : Loads the contents of dst to the stack pointer XSP, then pops long word data from the stack area to dst. Used paired with the Link instruction.

Details :

Byte	Size		Mnemonic	Code														
	Word	Long word																
×	×	○	UNLK r	<table border="1"> <tr> <td>1</td><td>1</td><td>1</td><td>0</td><td>1</td> <td>r</td> </tr> <tr> <td>0</td><td>0</td><td>0</td><td>0</td><td>1</td> <td>1</td><td>0</td><td>1</td> </tr> </table>	1	1	1	0	1	r	0	0	0	0	1	1	0	1
1	1	1	0	1	r													
0	0	0	0	1	1	0	1											

Flags : S Z H V N C

-	-	-	-	-	-
---	---	---	---	---	---

S = No change

Z = No change

H = No change

V = No change

N = No change

C = No change

Execution example: UNLK XIZ

As a result of executing this instruction after executing the Link instruction, the stack pointer XSP and the XIZ register revert to the same values they had before the Link instruction was executed. (For details of the Link instruction, see page 104)

LDF num

< Load Register File Pointer >

Operation : RFP<2:0>← num

Description : Loads the num value to the register file pointer RFP<2:0> in status register. Since RFP2 is fixed to 0 in maximum mode, when the num value is from 4 to 7, RFP is set to from 0 to 3.

Details :

Mnemonic	Code																
LDF #3	<table border="1" style="margin-left: auto; margin-right: auto;"> <tr> <td style="padding: 2px;">0</td><td style="padding: 2px;">0</td><td style="padding: 2px;">0</td><td style="padding: 2px;">1</td><td style="padding: 2px;">0</td><td style="padding: 2px;">1</td><td style="padding: 2px;">1</td><td style="padding: 2px;">1</td> </tr> <tr> <td style="padding: 2px;">0</td><td style="padding: 2px;">0</td><td style="padding: 2px;">0</td><td style="padding: 2px;">0</td><td style="padding: 2px;">0</td><td colspan="3" style="padding: 2px;">#3</td> </tr> </table>	0	0	0	1	0	1	1	1	0	0	0	0	0	#3		
0	0	0	1	0	1	1	1										
0	0	0	0	0	#3												

Note : In minimum mode, the operand value can be specified from 0 to 7; in maximum mode, from 0 to 3.

Flags : S Z H V N C

-	-	-	-	-	-
---	---	---	---	---	---

S = No change

Z = No change

H = No change

V = No change

N = No change

C = No change

INCF

< Increment Register File Pointer >

Operation : $RFP\langle 2:0 \rangle \leftarrow RFP\langle 2:0 \rangle + 1$

Description : Increments the contents of $RFP\langle 2:0 \rangle$ in the status register by 1. In maximum mode, RFP2 is fixed to 0.

Details :

Mnemonic

Code

INCF

0	0	0	0	1	1	0	0
---	---	---	---	---	---	---	---

Flags : S Z H V N C

-	-	-	-	-	-
---	---	---	---	---	---

S = No change

Z = No change

H = No change

V = No change

N = No change

C = No change

Execution example: INCF

When the contents of $RFP\langle 2:0 \rangle = 2$, execution sets the contents of $RFP\langle 2:0 \rangle$ to 3.

DECF

< Decrement Register File Pointer >

Operation : $RFP\langle 2:0 \rangle \leftarrow RFP\langle 2:0 \rangle - 1$

Description : Decrements the contents of register file pointer RFP $\langle 2:0 \rangle$ in the status register by 1. In maximum mode, RFP2 is fixed to 0.

Details :

Mnemonic

Code

DECF

0	0	0	0	1	1	0	1
---	---	---	---	---	---	---	---

Flags : S Z H V N C

-	-	-	-	-	-
---	---	---	---	---	---

S = No change

Z = No change

H = No change

V = No change

N = No change

C = No change

Execution example: DECF

When the contents of RFP $\langle 2:0 \rangle = 2$, execution sets the contents of RFP $\langle 2:0 \rangle$ to 1.

SCC condition, dst

< Set Condition Code >

Operation : If cc is true, then dst ← 1 else dst ← 0.

Description : Loads 1 to dst when the operand condition is true; when false, 0 is loaded to dst.

Details :

Byte	Size		Mnemonic	Code																
	Word	Long word																		
○	○	×	SCC cc, r	<table border="1"> <tr> <td>1</td><td>1</td><td>0</td><td>z</td><td>1</td><td></td><td>r</td><td></td> </tr> <tr> <td>0</td><td>1</td><td>1</td><td>1</td><td></td><td>c</td><td>c</td><td></td> </tr> </table>	1	1	0	z	1		r		0	1	1	1		c	c	
1	1	0	z	1		r														
0	1	1	1		c	c														

Flags : S Z H V N C

-	-	-	-	-	-
---	---	---	---	---	---

- S = No change
- Z = No change
- H = No change
- V = No change
- N = No change
- C = No change

Execution example: SCC OV, HL
 When the contents of the V flag = 1, execution sets the HL register to 0001H.

RLC num, dst

< Rotate Left without Carry >

Operation : {CY← dst <MSB>, dst← left rotate value of dst} Repeat num

Description : Loads the contents of the MSB of dst to the carry flag and rotates left the contents of dst. Repeats the number of times specified in num.

Description figure :



Details :

Byte	Size		Mnemonic	Code																								
	Word	Long word																										
<input type="radio"/>	<input type="radio"/>	<input type="radio"/>	RLC #4, r	<table border="1"> <tr><td>1</td><td>1</td><td>z</td><td>z</td><td>1</td><td></td><td>r</td><td></td></tr> <tr><td>1</td><td>1</td><td>1</td><td>0</td><td>1</td><td>0</td><td>0</td><td>0</td></tr> <tr><td>0</td><td>0</td><td>0</td><td>0</td><td></td><td>#</td><td>4</td><td></td></tr> </table>	1	1	z	z	1		r		1	1	1	0	1	0	0	0	0	0	0	0		#	4	
1	1	z	z	1		r																						
1	1	1	0	1	0	0	0																					
0	0	0	0		#	4																						
<input type="radio"/>	<input type="radio"/>	<input type="radio"/>	RLC A, r	<table border="1"> <tr><td>1</td><td>1</td><td>z</td><td>z</td><td>1</td><td></td><td>r</td><td></td></tr> <tr><td>1</td><td>1</td><td>1</td><td>1</td><td>1</td><td>0</td><td>0</td><td>0</td></tr> </table>	1	1	z	z	1		r		1	1	1	1	1	0	0	0								
1	1	z	z	1		r																						
1	1	1	1	1	0	0	0																					
<input type="radio"/>	<input type="radio"/>	×	RLC <W> (mem)	<table border="1"> <tr><td>1</td><td>m</td><td>0</td><td>z</td><td>m</td><td>m</td><td>m</td><td>m</td></tr> <tr><td>0</td><td>1</td><td>1</td><td>1</td><td>1</td><td>0</td><td>0</td><td>0</td></tr> </table>	1	m	0	z	m	m	m	m	0	1	1	1	1	0	0	0								
1	m	0	z	m	m	m	m																					
0	1	1	1	1	0	0	0																					

Note : When the number of rotates is specified by the A register, the value of the lower 4 bits of the A register is used. Specifying 0 rotates 16 times.
When dst is memory, rotating is performed only once.

Flags : S Z H V N C

*	*	0	*	0	*
---	---	---	---	---	---

- S = MSB value of dst after rotate is set.
- Z = 1 is set when the contents of dst after rotate is 0, otherwise, 0.
- H = Reset to 0.
- V = 1 is set when the parity (number of 1s) of dst is even after rotate. If the operand is 32 bits, an undefined value is set.
- N = Reset to 0.
- C = MSB value of dst before the last rotate is set.

Execution example: RLC 4, HL
When the HL register = 1230H, execution sets the HL register to 2301H and the carry flag to 1.

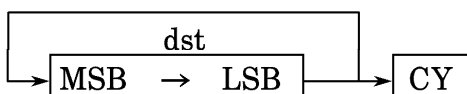
RRC num, dst

< Rotate Right without Carry >

Operation : {CY← dst <LSB>, dst ← right rotate value of dst} Repeat num

Description : Loads the contents of the LSB of dst to the carry flag and rotates the contents of dst to the right. Repeats the number of times specified in num.

Description figure:



Details :

Byte	Size		Mnemonic	Code																								
	Word	Long word																										
<input type="radio"/>	<input type="radio"/>	<input type="radio"/>	RRC #4, r	<table border="1"> <tr><td>1</td><td>1</td><td>z</td><td>z</td><td>1</td><td></td><td>r</td><td></td></tr> <tr><td>1</td><td>1</td><td>1</td><td>0</td><td>1</td><td>0</td><td>0</td><td>1</td></tr> <tr><td>0</td><td>0</td><td>0</td><td>0</td><td></td><td>#</td><td>4</td><td></td></tr> </table>	1	1	z	z	1		r		1	1	1	0	1	0	0	1	0	0	0	0		#	4	
1	1	z	z	1		r																						
1	1	1	0	1	0	0	1																					
0	0	0	0		#	4																						
<input type="radio"/>	<input type="radio"/>	<input type="radio"/>	RRC A, r	<table border="1"> <tr><td>1</td><td>1</td><td>z</td><td>z</td><td>1</td><td></td><td>r</td><td></td></tr> <tr><td>1</td><td>1</td><td>1</td><td>1</td><td>1</td><td>0</td><td>0</td><td>1</td></tr> </table>	1	1	z	z	1		r		1	1	1	1	1	0	0	1								
1	1	z	z	1		r																						
1	1	1	1	1	0	0	1																					
<input type="radio"/>	<input type="radio"/>	×	RRC <W> (mem)	<table border="1"> <tr><td>1</td><td>m</td><td>0</td><td>z</td><td>m</td><td>m</td><td>m</td><td>m</td></tr> <tr><td>0</td><td>1</td><td>1</td><td>1</td><td>1</td><td>0</td><td>0</td><td>1</td></tr> </table>	1	m	0	z	m	m	m	m	0	1	1	1	1	0	0	1								
1	m	0	z	m	m	m	m																					
0	1	1	1	1	0	0	1																					

Note : When the number of rotates num is specified by the A register, the value of the lower 4 bits of the A register is used as the number of rotates. Specifying 0 rotates 16 times. When dst is memory, rotating is only once.

Flags : S Z H V N C

*	*	0	*	0	*
---	---	---	---	---	---

- S = MSB value of dst after rotate is set.
- Z = 1 is set when the contents of dst after rotate is 0, otherwise 0.
- H = Reset to 0.
- V = 1 is set when the parity (number of 1s) of dst is even after rotate, otherwise 0. If the operand is 32 bits, an undefined value is set.
- N = Reset to 0.
- C = MSB value of dst before the last rotate is set.

Execution example: RLC 4, HL
 When the HL register = 1230H, execution sets the HL register to 0123H and the carry flag to 0.

RL num, dst

< Rotate Left >

Operation : {CY & dst ← left rotates the value of CY & dst} Repeat num

Description : Rotates left the contents of the linked carry flag and dst.
Repeats the number of times specified in num.

Description figure:



Details :

			Mnemonic		Code	
Byte	Size Word	Long word				
<input type="radio"/>	<input type="radio"/>	<input type="radio"/>	RL	#4, r	1 1 z z 1 r	1 1 1 0 1 0 1 0
					0 0 0 0 # 4	
<input type="radio"/>	<input type="radio"/>	<input type="radio"/>	RL	A, r	1 1 z z 1 r	1 1 1 1 1 0 1 0
<input type="radio"/>	<input type="radio"/>	<input checked="" type="radio"/>	RL <W>	(mem)	1 m 0 z m m m m	0 1 1 1 1 0 1 0

Note : When the number of rotates is specified by the A register, the value of the lower 4 bits of the A register is used. Specifying 0 rotates 16 times.
When dst is memory, rotating is performed only once.

Flags : S Z H V N C

*	*	0	*	0	*
---	---	---	---	---	---

- S = MSB value of dst after rotate is set.
- Z = 1 is set when the contents of dst after rotate is 0, otherwise 0.
- H = Reset to 0.
- V = 1 is set when the parity (number of 1s) of dst is even after rotate, otherwise 0. If the operand is 32 bits, an undefined value is set.
- N = Reset to 0.
- C = The value after rotate is set.

Execution example: RL 4, HL

When the HL register = 6230H and the carry flag = 1, execution sets the HL register to 230BH and the carry flag to 0.

RR num, dst

< Rotate Right >

Operation : {CY & dst ← right rotates the value of CY & dst} Repeat num

Description : Rotates right the linked contents of the carry flag and dst.
Repeats the number of times specified in num.

Description figure:



Details :

			Mnemonic		Code	
Byte	Size Word	Long word				
<input type="radio"/>	<input type="radio"/>	<input type="radio"/>	RR	#4, r	1 1 z z 1 r	1 1 1 0 1 0 1 1
					0 0 0 0 # 4	
<input type="radio"/>	<input type="radio"/>	<input type="radio"/>	RR	A, r	1 1 z z 1 r	1 1 1 1 1 0 1 1
<input type="radio"/>	<input type="radio"/>	<input checked="" type="radio"/>	RR <W>	(mem)	1 m 0 z m m m m	0 1 1 1 1 0 1 1

Note : When the number of rotates is specified by the A register, the value of the lower 4 bits of the A register is used. Specifying 0 rotates 16 times.
When dst is memory, rotating is performed only once.

Flags : S Z H V N C

*	*	0	*	0	*
---	---	---	---	---	---

- S = MSB value of dst after rotate is set.
- Z = 1 is set when the contents of dst after rotate is 0, otherwise 0.
- H = Reset to 0.
- V = 1 is set when the parity (number of 1s) of dst is even after the rotate, otherwise 0. If the operand is 32 bits, an undefined value is set.
- N = Reset to 0.
- C = The value after rotate is set.

Execution example: RR 4, HL

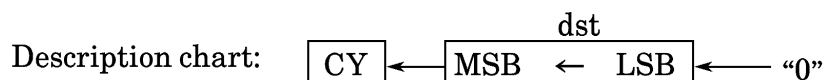
When the HL register = 6230H and the carry flag = 1, execution sets the HL register to 1623H and the carry flag to 0.

SLA num, dst

< Shift Left Arithmetic >

Operation : {CY ← dst<MSB>, dst ← left shift value of dst, dst<LSB> ← 0} Repeat num

Description : Loads the contents of the MSB of dst to the carry flag, shifts left the contents of dst, and loads 0 to the LSB of dst. Repeats the number of times specified in num.



Details :

			Size	Mnemonic	Code																								
Byte	Word	Long word																											
○	○	○		SLA #4, r	<table border="1"> <tr><td>1</td><td>1</td><td>z</td><td>z</td><td>1</td><td></td><td>r</td><td></td></tr> <tr><td>1</td><td>1</td><td>1</td><td>0</td><td>1</td><td>1</td><td>0</td><td>0</td></tr> <tr><td>0</td><td>0</td><td>0</td><td>0</td><td></td><td>#</td><td>4</td><td></td></tr> </table>	1	1	z	z	1		r		1	1	1	0	1	1	0	0	0	0	0	0		#	4	
1	1	z	z	1		r																							
1	1	1	0	1	1	0	0																						
0	0	0	0		#	4																							
○	○	○		SLA A, r	<table border="1"> <tr><td>1</td><td>1</td><td>z</td><td>z</td><td>1</td><td></td><td>r</td><td></td></tr> <tr><td>1</td><td>1</td><td>1</td><td>1</td><td>1</td><td>1</td><td>0</td><td>0</td></tr> </table>	1	1	z	z	1		r		1	1	1	1	1	1	0	0								
1	1	z	z	1		r																							
1	1	1	1	1	1	0	0																						
○	○	×		SLA <W> (mem)	<table border="1"> <tr><td>1</td><td>m</td><td>0</td><td>z</td><td>m</td><td>m</td><td>m</td><td>m</td></tr> <tr><td>0</td><td>1</td><td>1</td><td>1</td><td>1</td><td>1</td><td>0</td><td>0</td></tr> </table>	1	m	0	z	m	m	m	m	0	1	1	1	1	1	0	0								
1	m	0	z	m	m	m	m																						
0	1	1	1	1	1	0	0																						

Note : When the number of shifts, num, is specified by the A register, the value of the lower 4 bits of the A register is used. Specifying 0 shifts 16 times. When dst is memory, shifting is performed only once.

Flags : S Z H V N C

*	*	0	*	0	*
---	---	---	---	---	---

- S = MSB value of dst after shift is set.
- Z = 1 is set when the contents of dst after shift is 0, otherwise 0.
- H = Reset to 0.
- V = 1 is set when the parity (number of 1s) of dst is even after shifting, otherwise 0. If the operand is 32 bits, an undefined value is set.
- N = Reset to 0.
- C = MSB value of dst before the last shift is set.

Execution example: SLA 4, HL
 When the HL register = 1234H, execution sets the HL register to 2340H and the carry flag to 1.

SRA num, dst

< Shift Right Arithmetic >

Operation : {CY ← dst<MSB>, dst ← right shift value of dst, dst <MSB> is fixed}
Repeat num

Description : Loads the contents of the LSB of dst to the carry flag and shifts right the contents of dst (MSB is fixed). Repeats the number of times specified in num.

Description chart:



Details :

Size		Mnemonic		Code																				
Byte	Word	Long word																						
○	○	○	SRA #4, r	<table border="1"> <tr><td>1</td><td>1</td><td>z</td><td>z</td><td>1</td><td>r</td></tr> <tr><td>1</td><td>1</td><td>1</td><td>0</td><td>1</td><td>1</td><td>0</td><td>1</td></tr> <tr><td>0</td><td>0</td><td>0</td><td>0</td><td>#</td><td>4</td></tr> </table>	1	1	z	z	1	r	1	1	1	0	1	1	0	1	0	0	0	0	#	4
1	1	z	z	1	r																			
1	1	1	0	1	1	0	1																	
0	0	0	0	#	4																			
○	○	○	SRA A, r	<table border="1"> <tr><td>1</td><td>1</td><td>z</td><td>z</td><td>1</td><td>r</td></tr> <tr><td>1</td><td>1</td><td>1</td><td>1</td><td>1</td><td>1</td><td>0</td><td>1</td></tr> </table>	1	1	z	z	1	r	1	1	1	1	1	1	0	1						
1	1	z	z	1	r																			
1	1	1	1	1	1	0	1																	
○	○	×	SRA <W> (mem)	<table border="1"> <tr><td>1</td><td>m</td><td>0</td><td>z</td><td>m</td><td>m</td><td>m</td><td>m</td></tr> <tr><td>0</td><td>1</td><td>1</td><td>1</td><td>1</td><td>1</td><td>0</td><td>1</td></tr> </table>	1	m	0	z	m	m	m	m	0	1	1	1	1	1	0	1				
1	m	0	z	m	m	m	m																	
0	1	1	1	1	1	0	1																	

Note : When the number of shifts, num, is specified by the A register, the value of the lower 4 bits of the A register is used. Specifying 0 shifts 16 times. When dst is memory, shifting is performed only once.

Flags : S Z H V N C

*	*	0	*	0	*
---	---	---	---	---	---

- S = MSB value of dst after shift is set.
- Z = 1 is set when the contents of dst after shift is 0, otherwise 0.
- H = Reset to 0.
- V = 1 is set when the parity (number of 1s) of dst is even after shift, otherwise 0. If the operand is 32 bits, an undefined value is set.
- N = Reset to 0.
- C = LSB value of dst before the last shift is set.

Execution example: SRA 4, HL

When the HL register = 8230H, execution sets the HL register to F823H and the carry flag to 0.

SLL num, dst

< Shift Left Logical >

Operation : {CY ← dst<MSB>, dst ← left shift value of dst, dst<LSB> ← 0} Repeat num

Description : Loads the contents of the MSB of dst to the carry flag, shifts left the contents of dst, and loads 0 to the MSB of dst. Repeats the number of times specified in num.



Details :

Size			Mnemonic	Code																								
Byte	Word	Long word																										
<input type="radio"/>	<input type="radio"/>	<input type="radio"/>	SLL #4, r	<table border="1"> <tr><td>1</td><td>1</td><td>z</td><td>z</td><td>1</td><td></td><td>r</td><td></td></tr> <tr><td>1</td><td>1</td><td>1</td><td>0</td><td>1</td><td>1</td><td>1</td><td>0</td></tr> <tr><td>0</td><td>0</td><td>0</td><td>0</td><td></td><td>#</td><td>4</td><td></td></tr> </table>	1	1	z	z	1		r		1	1	1	0	1	1	1	0	0	0	0	0		#	4	
1	1	z	z	1		r																						
1	1	1	0	1	1	1	0																					
0	0	0	0		#	4																						
<input type="radio"/>	<input type="radio"/>	<input type="radio"/>	SLL A, r	<table border="1"> <tr><td>1</td><td>1</td><td>z</td><td>z</td><td>1</td><td></td><td>r</td><td></td></tr> <tr><td>1</td><td>1</td><td>1</td><td>1</td><td>1</td><td>1</td><td>1</td><td>0</td></tr> </table>	1	1	z	z	1		r		1	1	1	1	1	1	1	0								
1	1	z	z	1		r																						
1	1	1	1	1	1	1	0																					
<input type="radio"/>	<input type="radio"/>	<input checked="" type="radio"/>	SLL <W> (mem)	<table border="1"> <tr><td>1</td><td>m</td><td>0</td><td>z</td><td>m</td><td>m</td><td>m</td><td>m</td></tr> <tr><td>0</td><td>1</td><td>1</td><td>1</td><td>1</td><td>1</td><td>1</td><td>0</td></tr> </table>	1	m	0	z	m	m	m	m	0	1	1	1	1	1	1	0								
1	m	0	z	m	m	m	m																					
0	1	1	1	1	1	1	0																					

Note : When the number of shifts, num, is specified by the A register, the value of the lower 4 bits of the A register is used. Specifying 0 shifts 16 times. When dst is memory, shifting is performed only once.

Flags :

S	Z	H	V	N	C
*	*	0	*	0	*

- S = MSB value of dst after shift is set.
- Z = 1 is set when the contents of dst after shift is 0, otherwise 0.
- H = Reset to 0.
- V = 1 is set when the parity (number of 1s) of dst is even after shifting, otherwise 0. If the operand is 32 bits, an undefined value is set.
- N = Reset to 0.
- C = MSB value of dst before the last shift is set.

Execution example: SLL 4, HL
 When the HL register = 1234H, execution sets the HL register to 2340H and the carry flag to 1.

SRL num, dst

< Shift Right Logical >

Operation : {CY ← dst<LSB>, dst ← right shift value of dst, dst <MSB> ← 0} Repeat num

Description : Loads the contents of the LSB of dst to the carry flag, shifts right the contents of dst, and loads 0 to the MSB of dst. Repeats the number of times specified in num.



Details :

			Mnemonic		Code					
Byte	Size	Long word								
	Word									
○	○	○	SRL	#4, r	1	1	z	z	1	r
					1	1	1	0	1	1
					0	0	0	0	#	4
○	○	○	SRL	A, r	1	1	z	z	1	r
					1	1	1	1	1	1
○	○	×	SRL<W>	(mem)	1	m	0	z	m	m
					0	1	1	1	1	1

Note : When the number of shifts, num, is specified by the A register, the value of the lower 4 bits of the A register is used. Specifying 0 shifts 16 times. When dst is memory, shifting is performed only once.

Flags : S Z H V N C

*	*	0	*	0	*
---	---	---	---	---	---

- S = MSB value of dst after shift is set.
- Z = 1 is set when the contents of dst after shift is 0, otherwise 0.
- H = Reset to 0.
- V = 1 is set when the parity (number of 1s) of dst is even after shift, otherwise 0. If the operand is 32 bits, an undefined value is set.
- N = Reset to 0.
- C = LSB value of dst before the last shift is set.

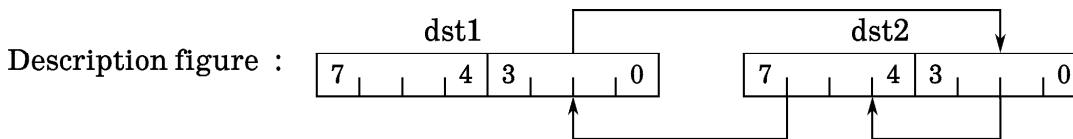
Execution example: SRL 4, HL
 When the HL register = 1238H, execution sets the HL register to 0123H and the carry flag to 1.

RLD dst1, dst2

< Rotate Left Digit >

Operation : $dst1 \langle 3:0 \rangle \leftarrow dst2 \langle 7:4 \rangle, dst2 \langle 7:4 \rangle \leftarrow dst2 \langle 3:0 \rangle,$
 $dst2 \langle 3:0 \rangle \leftarrow dst1 \langle 3:0 \rangle$

Description : Rotates left the lower 4 bits of dst1 and the contents of dst2 in units of 4 bits.



Details :

Size			Mnemonic	Code																
Byte	Word	Long word																		
○	×	×	RLD	[A,] (mem)																
<table border="1" style="float: right;"> <tr> <td>1</td><td>m</td><td>0</td><td>0</td><td>m</td><td>m</td><td>m</td><td>m</td> </tr> <tr> <td>0</td><td>0</td><td>0</td><td>0</td><td>0</td><td>1</td><td>1</td><td>0</td> </tr> </table>					1	m	0	0	m	m	m	m	0	0	0	0	0	1	1	0
1	m	0	0	m	m	m	m													
0	0	0	0	0	1	1	0													

Flags : S Z H V N C

*	*	0	*	0	-
---	---	---	---	---	---

S = MSB value of the A register after rotate is set.

Z = 1 is set when the contents of the A register after the rotate are 0, otherwise 0.

H = Reset to 0.

V = 1 is set when the parity (number of 1s) of the A register is even after the rotate, otherwise 0.

N = Reset to 0.

C = No change

Execution example: RLD A, (100H)

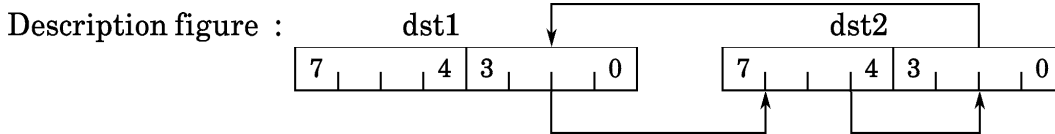
When the A register = 12H and the contents of memory at address 100H = 34H, execution sets the A register to 13H and the contents of memory at address 100H to 42H.

RRD dst1, dst2

< Rotate Right Digit >

Operation : $dst1 \langle 3:0 \rangle \leftarrow dst2 \langle 3:0 \rangle, dst2 \langle 7:4 \rangle \leftarrow dst1 \langle 3:0 \rangle,$
 $dst2 \langle 3:0 \rangle \leftarrow dst2 \langle 7:4 \rangle$

Description : Rotates right the lower 4 bits of dst1 and the contents of dst2 in units of 4 bits.



Details :

Byte	Size		Mnemonic	Code																
	Word	Long word																		
○	×	×	RRD	[A,] (mem)																
<table border="1" style="float: right;"> <tr> <td>1</td><td>m</td><td>0</td><td>0</td><td>m</td><td>m</td><td>m</td><td>m</td> </tr> <tr> <td>0</td><td>0</td><td>0</td><td>0</td><td>0</td><td>1</td><td>1</td><td>1</td> </tr> </table>					1	m	0	0	m	m	m	m	0	0	0	0	0	1	1	1
1	m	0	0	m	m	m	m													
0	0	0	0	0	1	1	1													

Flags : S Z H V N C

*	*	0	*	0	-
---	---	---	---	---	---

- S = MSB value of the A register after rotate is set.
- Z = 1 is set when the contents of the A register after rotate is 0, otherwise 0.
- H = Reset to 0.
- V = 1 is set when the parity (number of 1s) of the A register is even after rotate, otherwise 0.
- N = Reset to 0.
- C = No change

Execution example: RRD A, (100H)
 When the A register = 12H and the contents of memory at address 100H = 34H, execution sets the A register to 14H and the contents of memory at address 100H to 23H.

JP condition, dst

< Jump >

Operation : If cc is true, then PC ← dst.

Description : If the operand condition is true, jumps to the program address specified by dst.

Details :

Mnemonic		Code																																
JP	#16	<table border="1"> <tr><td>0</td><td>0</td><td>0</td><td>1</td><td>1</td><td>0</td><td>1</td><td>0</td></tr> <tr><td colspan="8">#<7:0></td></tr> <tr><td colspan="8">#<15:8></td></tr> </table>	0	0	0	1	1	0	1	0	#<7:0>								#<15:8>															
0	0	0	1	1	0	1	0																											
#<7:0>																																		
#<15:8>																																		
JP	#24	<table border="1"> <tr><td>0</td><td>0</td><td>0</td><td>1</td><td>1</td><td>0</td><td>1</td><td>1</td></tr> <tr><td colspan="8">#<7:0></td></tr> <tr><td colspan="8">#<15:8></td></tr> <tr><td colspan="8">#<23:16></td></tr> </table>	0	0	0	1	1	0	1	1	#<7:0>								#<15:8>								#<23:16>							
0	0	0	1	1	0	1	1																											
#<7:0>																																		
#<15:8>																																		
#<23:16>																																		
JP	[cc,] mem	<table border="1"> <tr><td>1</td><td>m</td><td>1</td><td>1</td><td>m</td><td>m</td><td>m</td><td>m</td></tr> <tr><td>1</td><td>1</td><td>0</td><td>1</td><td></td><td>c</td><td>c</td><td></td></tr> </table>	1	m	1	1	m	m	m	m	1	1	0	1		c	c																	
1	m	1	1	m	m	m	m																											
1	1	0	1		c	c																												

Flags : S Z H V N C

-	-	-	-	-	-
---	---	---	---	---	---

S = No change

Z = No change

H = No change

V = No change

N = No change

C = No change

Execution example: JP 2000H

Execution jumps unconditionally to address 2000H.

CALL condition, dst

< Call subroutine >

Operation : In minimum mode, if cc is true, then $XSP \leftarrow XSP - 2, (XSP) \leftarrow 16\text{-bit PC}$,
 $PC \leftarrow dst$.
 In maximum mode, if cc is true, then $XSP \leftarrow XSP - 4, (XSP) \leftarrow 32\text{-bit PC}$,
 $PC \leftarrow dst$.

Description : If the operand condition is true, saves the contents of the program counter to the stack area and jumps to the program address specified by dst.

Details :

Mnemonic	Code																																
CALL #16	<table border="1" style="width: 100%; text-align: center;"> <tr> <td>0</td><td>0</td><td>0</td><td>1</td><td>1</td><td>1</td><td>0</td><td>0</td> </tr> <tr> <td colspan="8">#<7:0></td> </tr> <tr> <td colspan="8">#<15:8></td> </tr> </table>	0	0	0	1	1	1	0	0	#<7:0>								#<15:8>															
0	0	0	1	1	1	0	0																										
#<7:0>																																	
#<15:8>																																	
CALL #24	<table border="1" style="width: 100%; text-align: center;"> <tr> <td>0</td><td>0</td><td>0</td><td>1</td><td>1</td><td>1</td><td>0</td><td>1</td> </tr> <tr> <td colspan="8">#<7:0></td> </tr> <tr> <td colspan="8">#<15:8></td> </tr> <tr> <td colspan="8">#<23:16></td> </tr> </table>	0	0	0	1	1	1	0	1	#<7:0>								#<15:8>								#<23:16>							
0	0	0	1	1	1	0	1																										
#<7:0>																																	
#<15:8>																																	
#<23:16>																																	
CALL [cc,] mem	<table border="1" style="width: 100%; text-align: center;"> <tr> <td>1</td><td>m</td><td>1</td><td>1</td><td>m</td><td>m</td><td>m</td><td>m</td> </tr> <tr> <td>1</td><td>1</td><td>1</td><td>0</td><td></td><td>c</td><td>c</td><td></td> </tr> </table>	1	m	1	1	m	m	m	m	1	1	1	0		c	c																	
1	m	1	1	m	m	m	m																										
1	1	1	0		c	c																											

Flags : S Z H V N C

-	-	-	-	-	-
---	---	---	---	---	---

- S = No change
- Z = No change
- H = No change
- V = No change
- N = No change
- C = No change

Execution example: CALL 9000H

When the stack pointer XSP is 100H in minimum mode, executing this instruction at memory address 8000H writes the return address 8003H (word data) to memory address 0FEH, sets the stack pointer XSP to 0FEH, and jumps to address 9000H.

CALR dst

< Call Relative >

Operation : In minimum mode, $XSP \leftarrow XSP - 2, (XSP) \leftarrow 16\text{-bit PC}, PC \leftarrow dst.$
 In maximum mode, $XSP \leftarrow XSP - 4, (XSP) \leftarrow 32\text{-bit PC}, PC \leftarrow dst.$

Description : Saves the contents of the program counter to the stack area and makes a relative jump to the program address specified by dst.

Details :

Mnemonic

Code

CALR \$+3+d16

0	0	0	1	1	1	1	0
d<7:0>							
d<15:8>							

Flags : S Z H V N C

-	-	-	-	-	-
---	---	---	---	---	---

- S = No change
- Z = No change
- H = No change
- V = No change
- N = No change
- C = No change

DJNZ dst1, dst2

< Decrement and Jump if Non Zero >

Operation : $dst1 \leftarrow dst1 - 1$. if $dst1 \neq 0$, then $PC \leftarrow dst2$.

Description : Decrements the contents of $dst1$ by 1. Makes a relative jump to the program address specified by $dst2$ if the result is other than 0.

Details:

Byte	Size		Mnemonic	Code																					
	Word	Long word																							
○	○	×	DJNZ	$[r,] \$ + 3/4 + d8$																					
				<table border="1" style="width: 100%; text-align: center;"> <tr> <td>1</td><td>1</td><td>0</td><td>z</td><td>1</td><td>r</td> </tr> <tr> <td>0</td><td>0</td><td>0</td><td>1</td><td>1</td><td>1</td><td>0</td><td>0</td> </tr> <tr> <td colspan="6"></td> <td>$d < 7:0 >$</td> </tr> </table>	1	1	0	z	1	r	0	0	0	1	1	1	0	0							$d < 7:0 >$
1	1	0	z	1	r																				
0	0	0	1	1	1	0	0																		
						$d < 7:0 >$																			

(Note) $\$ + 4 + d8$ ("r" is specified using extension codes.)
 $\$ + 3 + d8$ (otherwise)

Note : Omitting "r" of the operand in square brackets [] is regarded as specifying the B register.

Flags : S Z H V N C

-	-	-	-	-	-
---	---	---	---	---	---

- S = No change
- Z = No change
- H = No change
- V = No change
- N = No change
- C = No change

Execution example: LOOP: ADD A, A
 DJNZ W, LOOP

When the A register = 12H and the W register = 03H, execution loops three times and sets the A register to 24H → 48 → 90H and the W register to 02H → 01H → 00H.

RETD num

< Return and Deallocate >

Operation : In minimum mode : 16-bit PC \leftarrow (XSP), XSP \leftarrow XSP + 2, XSP \leftarrow XSP + num
 In maximum mode : 32-bit PC \leftarrow (XSP), XSP \leftarrow XSP + 4, XSP \leftarrow XSP + num

Description : Pops the return address from the stack area to the program counter. Then increments the stack pointer XSP by signed num.

Details :

Mnemonic

Code

RETD d16

0	0	0	0	1	1	1	1
d<7:0>							
d<15:8>							

Flags : S Z H V N C

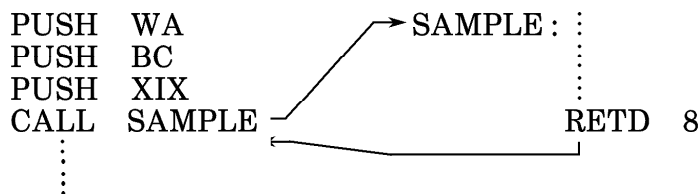
-	-	-	-	-	-
---	---	---	---	---	---

- S = No change
- Z = No change
- H = No change
- V = No change
- N = No change
- C = No change

Execution example: RETD 8

When the stack pointer XSP = 0FEH and the contents of memory at address 0FEH = 9000H (word data) in minimum mode, execution sets the stack pointer XSP to 0FEH + 2 + 8 \rightarrow 108H and jumps (returns) to address 9000H.

Usage of the RETD instruction is shown below. In this example, the 8-bit parameter is pushed to the stack before the subroutine call. After the subroutine processing complete, the used parameter area is deleted by the RETD instruction.



RETI

< Return from Interrupt >

This is privileged instruction in 900.

Operation : In minimum mode : 2-byte Temp \leftarrow (XSP), 16-bit PC \leftarrow (XSP+2),
 SR \leftarrow Temp, XSP \leftarrow XSP+4
 In maximum mode : 2-byte Temp \leftarrow (XSP), 32-bit PC \leftarrow (XSP+2),
 SR \leftarrow Temp, XSP \leftarrow XSP+6

Description : Pops data from the stack area to the 2-byte Temp register and program counter. Next, loads the contents of the Temp register to status register.

Note : The reason that data is not popped to status register directly from the stack area is to avoid changing the mode from normal to system while reading the stack area where the RETI instruction is being executed.

Details :

Mnemonic

Code

RETI

0	0	0	0	0	0	1	1	1
---	---	---	---	---	---	---	---	---

Flags : S Z H V N C

*	*	*	*	*	*
---	---	---	---	---	---

S = The value popped from the stack area is set.

Z = The value popped from the stack area is set.

H = The value popped from the stack area is set.

V = The value popped from the stack area is set.

N = The value popped from the stack area is set.

C = The value popped from the stack area is set.

■ Explanations of symbols used in this document

dst	Destination: destination of data transfer or operation result load.	
src	Source: source of data transfer or operation data read.	
num	Number: numerical value.	
condition	Condition: based on flag status.	
R	Eight general-purpose registers including 8/16/32-bit current bank registers. 8-bit registers : W, A, B, C, D, E, H, L (only eight registers) 16-bit registers : WA, BC, DE, HL, IX, IY, IZ, SP (only eight registers) 32-bit registers : XWA, XBC, XDE, XHL, XIX, XIY, XIZ, XSP (only eight registers)	
r	} (Please refer to "Register map" on page CPU900-54, 55.)	
r16		8/16/32-bit general-purpose registers
r32		16-bit general-purpose registers 32-bit general-purpose registers
cr	All 8/16/32-bit CPU control registers DMAS0 to 3, DMAD0 to 3, DMAC0 to 3, DMAM0 to 3, XNSP	
A	A register (8 bits)	
F	Flag registers (8 bits)	
F'	Inverse flag registers (8 bits)	
SR	Status registers (16 bits)	
PC	Program counter (in minimum mode, 16 bits; in maximum mode, 32 bits)	
(mem)	8/16/32-bit memory data	
mem	Effective address value	
<W>	When the operand size is a word, W must be specified.	
[]	Operands enclosed in square brackets can be omitted.	
#	8/16/32-bit immediate data.	
#3	3-bit immediate data : 0 to 7 or 1 to 8 ... for abbreviated codes.	
#4	4-bit immediate data : 0 to 15 or 1 to 16	
d8	8-bit displacement : -80H to +7FH	
d16	16-bit displacement : -8000H to +7FFFH	
cc	Condition code	
CY	Carry flag	
Z	Zero flag	
(#8)	Direct addressing: (00H) to (0FFH) ... 256-byte area	
(#16)	64K-byte area addressing: (0000H) to (0FFFFH)	
(-r32)	Pre-decrement addressing	
(r32+)	Post-increment addressing	
\$	Start address of instruction	

mem	Memory addressing mode specify code					
(XWA)	=	-0--0000				
(XBC)	=	-0--0001				
(XDE)	=	-0--0010				
(XHL)	=	-0--0011				
(XIX)	=	-0--0100				
(XIY)	=	-0--0101				
(XIZ)	=	-0--0110				
(XSP)	=	-0--0111				
(XWA+d8)	=	-0--1000	d<7:0>			
(XBC+d8)	=	-0--1001	d<7:0>			
(XDE+d8)	=	-0--1010	d<7:0>			
(XHL+d8)	=	-0--1011	d<7:0>			
(XIX+d8)	=	-0--1100	d<7:0>			
(XIY+d8)	=	-0--1101	d<7:0>			
(XIZ+d8)	=	-0--1110	d<7:0>			
(XSP+d8)	=	-0--1111	d<7:0>			
(#8)	=	-1--0000	#<7:0>			
(#16)	=	-1--0001	#<7:0>	#<15:8>		
(#24)	=	-1--0010	#<7:0>	#<15:8>	#<23:16>	
(r32)	=	-1--0011	r32'	00		
(r32+d16)	=	-1--0011	r32'	01	d<7:0>	d<15:8>
(r32+r8)	=	-1--0011	000000	11	r32	r8
(r32+r16)	=	-1--0011	000001	11	r32	r16
(-r32)	=	-1--0100	r32'	zz		
(r32+)	=	-1--0101	r32'	zz		

<7:0>= Indicates the data bit range.
This example means 8-bit data from bit 0 to bit 7.

↑
r32: 32-bit register
r16: Signed 16-bit register
r8: Signed 8-bit register

↑
zz= Code used to specify the value of increments or decrements.
00: ±1
01: ±2
10: ±4
11: (Not defined)

↑
r32' = Upper 6 bits of register code

cc	Condition codes			
	Code	Symbol	Description	Conditional expression
	0000	F	always False	-
	1000	(none)	always True	-
	0110	Z	Zero	Z=1
	1110	NZ	Not Zero	Z=0
	0111	C	Carry	C=1
	1111	NC	Not Carry	C=0
	1101	PL or P	PLus	S=0
	0101	MI or M	MInus	S=1
	1110	NE	Not Equal	Z=0
	0110	EQ	Equal	Z=1
	0100	OV	OVerflow	P/V=1
	1100	NOV	No OVerflow	P/V=0
	0100	PE	Parity is Even	P/V=1
	1100	PO	Parity is Odd	P/V=0
	1001	GE	Greater than or Equal (signed)	(S xor P/V) =0
	0001	LT	Less Than (signed)	(S xor P/V) =1
	1010	GT	Greater Than (signed)	[Z or (S xor P/V)]=0
	0010	LE	Less than or Equal (signed)	[Z or (S xor P/V)]=1
	1111	UGE	Unsigned Greater than or Equal	C=0
	0111	ULT	Unsigned Less Than	C=1
	1011	UGT	Unsigned Greater Than	(C or Z) =0
	0011	ULE	Unsigned Less than or Equal	(C or Z) =1

■ Flag changes

0	Reset to "0".
1	Set to "1".
-	No change.
*	"0" or "1" depending on the result of the calculation.
X	Indeterminate value.
P	Parity result is set.
V	Overflow result is set.

■ Register map "r" (minimum mode)

	+3	+2	+1	+0		
00H	X	X	RW0 (RWA 0)	RA0	Bank 0	
04H			RB0 (RBC 0)	RC0		
08H			RD0 (RDE 0)	RE0		
0CH			RH0 (RHL 0)	RL0		
10H			RW1 (RWA 1)	RA1		Bank 1
14H			RB1 (RBC 1)	RC1		
18H			RD1 (RDE 1)	RE1		
1CH			RH1 (RHL 1)	RL1		
20H	X	X	RW2 (RWA 2)	RA2	Bank 2	
24H			RB2 (RBC 2)	RC2		
28H			RD2 (RDE 2)	RE2		
2CH			RH2 (RHL 2)	RL2		
30H	X	X	RW3 (RWA 3)	RA3	Bank 3	
34H			RB3 (RBC 3)	RC3		
38H			RD3 (RDE 3)	RE3		
3CH			RH3 (RHL 3)	RL3		
40H	X	X	RW4 (RWA 4)	RA4	Bank 4	
44H			RB4 (RBC 4)	RC4		
48H			RD4 (RDE 4)	RE4		
4CH			RH4 (RHL 4)	RL4		
50H	X	X	RW5 (RWA 5)	RA5	Bank 5	
54H			RB5 (RBC 5)	RC5		
58H			RD5 (RDE 5)	RE5		
5CH			RH5 (RHL 5)	RL5		
60H	X	X	RW6 (RWA 6)	RA6	Bank 6	
64H			RB6 (RBC 6)	RC6		
68H			RD6 (RDE 6)	RE6		
6CH			RH6 (RHL 6)	RL6		
70H	X	X	RW7 (RWA 7)	RA7	Bank 7	
74H			RB7 (RBC 7)	RC7		
78H			RD7 (RDE 7)	RE7		
7CH			RH7 (RHL 7)	RL7		
D0H	X	X	W' (W A')	A'	Previous bank	
D4H			B' (B C')	C'		
D8H			D' (D E')	E'		
DCH			H' (H L')	L'		
E0H	X	X	W (W A)	A	Current bank	
E4H			B (B C)	C		
E8H			D (D E)	E		
ECH			H (H L)	L		
F0H	QIXH (Q IX)	QIXL <X IX>	IXH (I X)	IXL		
F4H	QIYH (Q IY)	QIYL <X IY>	IYH (I Y)	IYL		
F8H	QIZH (Q IZ)	QIZL <X IZ>	IZH (I Z)	IZL		
FCH	QSPH (Q SP)	QSPL <X SP>	SPH (S P)	SPL		

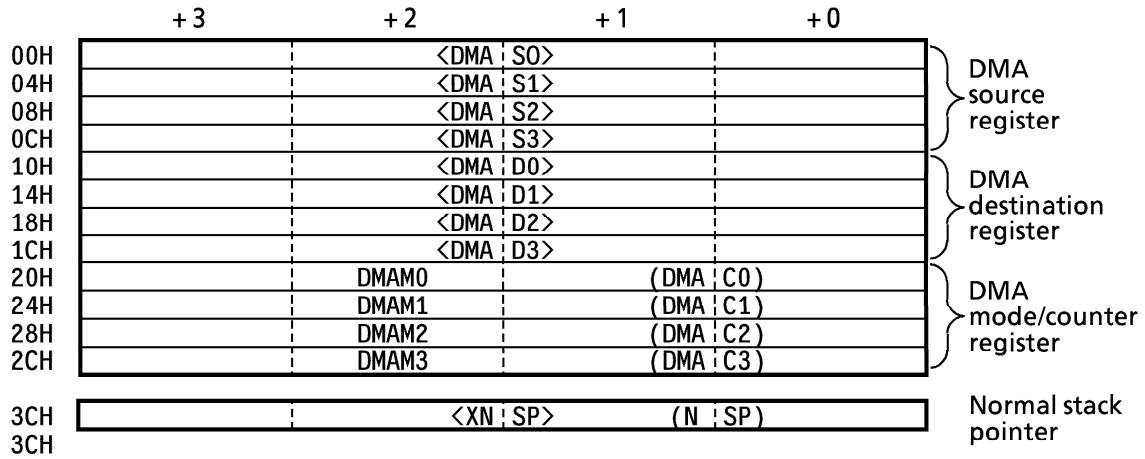
() : Word register name (16 bits)
 < > : Long word register name (32 bits)

■ Register map "r" (maximum mode)

	+3	+2	+1	+0	
00H	QW0 (QWA 0)	QAO <XWA 0>	RW0 (RWA 0)	RA0	Bank 0
04H	QB0 (QBC 0)	QCO <XBC 0>	RB0 (RBC 0)	RC0	
08H	QD0 (QDE 0)	QEO <XDE 0>	RD0 (RDE 0)	RE0	
0CH	QH0 (QHL 0)	QLO <XHL 0>	RH0 (RHL 0)	RL0	
10H	QW1 (QWA 1)	QA1 <XWA 1>	RW1 (RWA 1)	RA1	Bank 1
14H	QB1 (QBC 1)	QC1 <XBC 1>	RB1 (RBC 1)	RC1	
18H	QD1 (QDE 1)	QE1 <XDE 1>	RD1 (RDE 1)	RE1	
1CH	QH1 (QHL 1)	QL1 <XHL 1>	RH1 (RHL 1)	RL1	
20H	QW2 (QWA 2)	QA2 <XWA 2>	RW2 (RWA 2)	RA2	Bank 2
24H	QB2 (QBC 2)	QC2 <XBC 2>	RB2 (RBC 2)	RC2	
28H	QD2 (QDE 2)	QE2 <XDE 2>	RD2 (RDE 2)	RE2	
2CH	QH2 (QHL 2)	QL2 <XHL 2>	RH2 (RHL 2)	RL2	
30H	QW3 (QWA 3)	QA3 <XWA 3>	RW3 (RWA 3)	RA3	Bank 3
34H	QB3 (QBC 3)	QC3 <XBC 3>	RB3 (RBC 3)	RC3	
38H	QD3 (QDE 3)	QE3 <XDE 3>	RD3 (RDE 3)	RE3	
3CH	QH3 (QHL 3)	QL3 <XHL 3>	RH3 (RHL 3)	RL3	
40H	/				
44H	/				
48H	/				
4CH	/				
50H	/				
54H	/				
58H	/				
5CH	/				
60H	/				
64H	/				
68H	/				
6CH	/				
70H	/				
74H	/				
78H	/				
7CH	/				
D0H	QW' (Q WA')	QA' <X WA'>	W' (W A')	A'	Previous bank
D4H	QB' (Q BC')	QC' <X BC'>	B' (B C')	C'	
D8H	QD' (Q DE')	QE' <X DE'>	D' (D E')	E'	
DCH	QH' (Q HL')	QL' <X HL'>	H' (H L')	L'	
E0H	QW (Q WA)	QA <X WA>	W (W A)	A	Current bank
E4H	QB (Q BC)	QC <X BC>	B (B C)	C	
E8H	QD (Q DE)	QE <X DE>	D (D E)	E	
ECH	QH (Q HL)	QL <X HL>	H (H L)	L	
F0H	QIXH (Q IX)	QIXL <X IX>	IXH (I X)	IXL	
F4H	QIYH (Q IY)	QIYL <X IY>	IYH (I Y)	IYL	
F8H	QIZH (Q IZ)	QIZL <X IZ>	IZH (I Z)	IZL	
FCH	QSPH (Q SP)	QSPL <X SP>	SPH (S P)	SPL	

() : Word register name (16 bits)
 < > : Long word register name (32 bits)

■ Control register map "cr"



() : Word register name (16 bits)
 < > : Long word register name (32 bits)

Appendix B Instruction Lists

■ Explanation of symbols used in this document

1. Size

B	The operand size is in bytes (8 bits)
W	The operand size is in word (16 bits)
L	The operand size is in long word (32 bits)

2. Mnemonic

R	Eight general-purpose registers including 8/16/32-bit current bank registers. 8 bit register: W, A, B, C, D, E, H, L 16 bit register: WA, BC, DE, HL, IX, IY, IZ, SP 32 bit register: XWA, XBC, XDE, XHL, XIX, XIY, XIZ, XSP
r	8/16/32-bit general-purpose registers
cr	All 8/16/32-bit CPU control registers DMAS0 to 3, DMAD0 to 3, DMAC0 to 3, DMAM0 to 3, XNSP
A	A register (8 bits)
F	Flag registers (8 bits)
F'	Inverse flag registers (8 bits)
SR	Status registers (16 bits)
PC	Program Counter (in minimum mode, 16 bits; in maximum mode, 32 bits)
(mem)	8/16/32-bit memory data
mem	Effective address value
<W>	When the operand size is a word, "W" must be specified.
[]	Operands enclosed in square brackets can be omitted.
#	8/16/32-bit immediate data.
#3	3-bit immediate data: 0 to 7 or 1 to 8 for abbreviated codes.
#4	4-bit immediate data: 0 to 15 or 1 to 16
d8	8-bit displacement: - 80H to + 7FH
d16	16-bit displacement: - 8000H to + 7FFFH
cc	Condition code
(#8)	Direct addressing : (00H) to (0FFH) ... 256-byte area
(#16)	64K-byte area addressing : (0000H) to (0FFFFH)
\$	A start address of the instruction is located

3. Cord

Z	The code crepresent the operand sizes. byte (8 bit) = 0 word (16 bit) = 2 long word (32 bit) = 4
ZZ	The code represent the operand sizes. byte (8 bit) = 00H word (16 bit) = 10H long word (32 bit) = 20H

4. Flag (SZHVNC)

-	Flag doesn't change.
*	Flag changes by executing instruction.
0	Flag is cleared to "0".
1	Flag is set to "1".
P	Flag changes by executing instruction (It works as parity flag).
V	Flag changes by executing instruction (It works as overflow flag).
X	An undefined value (partly different in 900/H) is set in flag.

5. Instruction length

Instruction length is represented in byte unit.

+#	adds immediate data length.
+M	adds addressing code length.
+#M	adds immediate data length and addressing code length.

6. State

Execution processing time of instruction are shown in order of 8 bit, 16 bit, 32 bit processing in status unit.

1 state = 100 ns at 20 MHz oscillation

1 state = 80 ns at 25 MHz oscillation

■ Instruction Lists of 900 (1/10)

(1) Load

Group	Size	Mnemonic	Codes (hex.)	Function	SZHVNC	Length (byte)	State
LD	BWL	LD R, r	C8+zz+r :88+R	R ← r	-----	2	4. 4. 4
	BWL	LD r, R	C8+zz+r :98+R	r ← R	-----	2	4. 4. 4
	BWL	LD r, #3	C8+zz+r :A8+#3	r ← #3	-----	2	4. 4. 4
	BWL	LD R, #	20+zz+R :#	R ← #	-----	1+#	2. 3. 5
	BWL	LD r, #	C8+zz+r :03:#	r ← #	-----	2+#	4. 4. 6
	BWL	LD R, (mem)	80+zz+mem:20+R	R ← (mem)	-----	2+M	4. 4. 6
	BWL	LD (mem), R	B0+mem :40+zz+R	(mem) ← R	-----	2+M	4. 4. 6
	BW-	LD<W> (#8), #	08+z :#8:#	(#8) ← #	-----	2+#	5. 6. -
	BW-	LD<W> (mem), #	B0+mem :00+z:#	(mem) ← #	-----	2+M#	5. 6. -
	BW-	LD<W> (#16), (mem)	80+zz+mem:19:#16	(#16) ← (mem)	-----	4+M	8. 8. -
BW-	LD<W> (mem), (#16)	B0+mem :14+z:#16	(mem) ← (#16)	-----	4+M	8. 8. -	
PUSH	B--	PUSH F	18	(-XSP) ← F	-----	1	3. -. -
	B--	PUSH A	14	(-XSP) ← A	-----	1	3. -. -
	-WL	PUSH R	18+zz+R	(-XSP) ← R	-----	1	-. 3. 5
	BWL	PUSH r	C8+zz+r :04	(-XSP) ← r	-----	2	5. 5. 7
	BW-	PUSH<W> #	09+z :#	(-XSP) ← #	-----	1+#	4. 5. -
	BW-	PUSH<W> (mem)	80+zz+mem:04	(-XSP) ← (mem)	-----	2+M	7. 7. -
POP	B--	POP F	19	F ← (XSP+)	*****	1	4. -. -
	B--	POP A	15	A ← (XSP+)	-----	1	4. -. -
	-WL	POP R	38+zz+R	R ← (XSP+)	-----	1	-. 4. 6
	BWL	POP r	C8+zz+r :05	r ← (XSP+)	-----	2	6. 6. 8
	BW-	POP<W> (mem)	B0+mem :04+z	(mem) ← (XSP+)	-----	2+M	6. 6. -
LDA	-WL	LDA R, mem	B0+mem :10+zz+R	R ← mem	-----	2+M	-. 4. 4
LDAR	-WL	LDAR R, \$+4+d16	F3:13:d16:20+zz+R	R ← PC+d16	-----	5	-. 11. 11

(2) Exchange

Group	Size	Mnemonic	Codes (hex.)	Function	SZHVNC	Length (byte)	State
EX	B--	EX F, F'	16	F ↔ F'	*****	1	2. -. -
	BW-	EX R, r	C8+zz+r :B8+R	R ↔ r	-----	2	5. 5. -
	BW-	EX (mem), R	80+zz+mem:30+R	(mem) ↔ R	-----	2+M	6. 6. -
MIRR	-W-	MIRR r	D8+r :16	r<0:MSB>←r<MSB:0>	-----	2	-. 4. -

■ Instruction Lists of 900 (2/10)

(3) Load Increment/Decrement & Compare Increment/Decrement Size

Group	Size	Mnemonic	Codes (hex.)	Function	SZHVNC	Length (byte)	State
LDxx	BW-	LDI<W> [(XDE+), (XHL+)]	83+zz :10	(XDE+) ← (XHL+) BC ← BC-1	--0①0-	2	10.10. -
	BW-	LDI<W> (XIX+), (XIY+)	85+zz :10	(XIX+) ← (XIY+) BC ← BC-1	--0①0-	2	10.10. -
	BW-	LDIR<W> [(XDE+), (XHL+)]	83+zz :11	repeat (XDE+) ← (XHL+) BC ← BC-1 until BC=0	--000-	2	10.10. - (end) 14.14. - (repeat)
	BW-	LDIR<W> (XIX+), (XIY+)	85+zz :11	repeat (XIX+) ← (XIY+) BC ← BC-1 until BC=0	--000-	2	10.10. - (end) 14.14. - (repeat)
	BW-	LDD<W> [(XDE-), (XHL-)]	83+zz :12	(XDE-) ← (XHL-) BC ← BC-1	--0①0-	2	10.10. -
	BW-	LDD<W> (XIX-), (XIY-)	85+zz :12	(XIX-) ← (XIY-) BC ← BC-1	--0①0-	2	10.10. -
	BW-	LDDR<W> [(XDE-), (XHL-)]	83+zz :13	repeat (XDE-) ← (XHL-) BC ← BC-1 until BC=0	--000-	2	10.10. - (end) 14.14. - (repeat)
	BW-	LDDR<W> (XIX-), (XIY-)	85+zz :13	repeat (XIX-) ← (XIY-) BC ← BC-1 until BC=0	--000-	2	10.10. - (end) 14.14. - (repeat)
CPxx	BW-	CPI [A/WA, (R+)]	80+zz+R :14	A/WA - (R+) BC ← BC-1	*②*①1-	2	8. 8. -
	BW-	CPIR [A/WA, (R+)]	80+zz+R :15	repeat A/WA - (R+) BC ← BC-1 until A/WA=(R) or BC=0	*②*①1-	2	10.10. - (end) 14.14. - (repeat)
	BW-	CPD [A/WA, (R-)]	80+zz+R :16	A/WA - (R-) BC ← BC-1	*②*①1-	2	8. 8. -
	BW-	CPDR [A/WA, (R-)]	80+zz+R :17	repeat A/WA - (R-) BC ← BC-1 until A/WA=(R) or BC=0	*②*①1-	2	10.10. - (end) 14.14. - (repeat)

Note 1: ① ; If BC = 0 after execution, the P/V flag is set to 0, otherwise 1.

② ; If A/WA = (R), the Z flag is set to 1, otherwise, 0 is set.

Note 2: When the operand is omitted in the CPI, CPIR, CPD, or CPDR instruction, A,(XHL +/-) is used as the default value.

■ Instruction Lists of 900 (3/10)

(4) Arithmetic Operations

Group	Size	Mnemonic	Codes (hex.)	Function	SZHVNC	Length (byte)	State
ADD	BWL	ADD R, r	C8+zz+r :80+R	$R \leftarrow R + r$	***V0*	2	4. 4. 7
	BWL	ADD r, #	C8+zz+r :C8:#	$r \leftarrow r + \#$	***V0*	2+#	4. 4. 7
	BWL	ADD R, (mem)	80+zz+mem:80+R	$R \leftarrow R + (\text{mem})$	***V0*	2+M	4. 4. 6
	BWL	ADD (mem), R	80+zz+mem:88+R	$(\text{mem}) \leftarrow (\text{mem}) + R$	***V0*	2+M	6. 6.10
	BW-	ADD<W> (mem), #	80+zz+mem:38:#	$(\text{mem}) \leftarrow (\text{mem}) + \#$	***V0*	2+M#	7. 8. -
ADC	BWL	ADC R, r	C8+zz+r :90+R	$R \leftarrow R + r + \text{CY}$	***V0*	2	4. 4. 7
	BWL	ADC r, #	C8+zz+r :C9:#	$r \leftarrow r + \# + \text{CY}$	***V0*	2+#	4. 4. 7
	BWL	ADC R, (mem)	80+zz+mem:90+R	$R \leftarrow R + (\text{mem}) + \text{CY}$	***V0*	2+M	4. 4. 6
	BWL	ADC (mem), R	80+zz+mem:98+R	$(\text{mem}) \leftarrow (\text{mem}) + R + \text{CY}$	***V0*	2+M	6. 6.10
	BW-	ADC<W> (mem), #	80+zz+mem:39:#	$(\text{mem}) \leftarrow (\text{mem}) + \# + \text{CY}$	***V0*	2+M#	7. 8. -
SUB	BWL	SUB R, r	C8+zz+r :A0+R	$R \leftarrow R - r$	***V1*	2	4. 4. 7
	BWL	SUB r, #	C8+zz+r :CA:#	$r \leftarrow r - \#$	***V1*	2+#	4. 4. 7
	BWL	SUB R, (mem)	80+zz+mem:A0+R	$R \leftarrow R - (\text{mem})$	***V1*	2+M	4. 4. 6
	BWL	SUB (mem), R	80+zz+mem:A8+R	$(\text{mem}) \leftarrow (\text{mem}) - R$	***V1*	2+M	6. 6.10
	BW-	SUB<W> (mem), #	80+zz+mem:3A:#	$(\text{mem}) \leftarrow (\text{mem}) - \#$	***V1*	2+M#	7. 8. -
SBC	BWL	SBC R, r	C8+zz+r :B0+R	$R \leftarrow R - r - \text{CY}$	***V1*	2	4. 4. 7
	BWL	SBC r, #	C8+zz+r :CB:#	$r \leftarrow r - \# - \text{CY}$	***V1*	2+#	4. 4. 7
	BWL	SBC R, (mem)	80+zz+mem:B0+R	$R \leftarrow R - (\text{mem}) - \text{CY}$	***V1*	2+M	4. 4. 6
	BWL	SBC (mem), R	80+zz+mem:B8+R	$(\text{mem}) \leftarrow (\text{mem}) - R - \text{CY}$	***V1*	2+M	6. 6.10
	BW-	SBC<W> (mem), #	80+zz+mem:3B:#	$(\text{mem}) \leftarrow (\text{mem}) - \# - \text{CY}$	***V1*	2+M#	7. 8. -
CP	BWL	CP R, r	C8+zz+r :F0+R	$R - r$	***V1*	2	4. 4. 7
	BW-	CP r, #3	C8+zz+r :D8+#3	$r - \#3$	***V1*	2	4. 4. -
	BWL	CP r, #	C8+zz+r :CF:#	$r - \#$	***V1*	2+#	4. 4. 7
	BWL	CP R, (mem)	80+zz+mem:F0+R	$R - (\text{mem})$	***V1*	2+M	4. 4. 6
	BWL	CP (mem), R	80+zz+mem:F8+R	$(\text{mem}) - R$	***V1*	2+M	6. 6. 6
	BW-	CP<W> (mem), #	80+zz+mem:3F:#	$(\text{mem}) - \#$	***V1*	2+M#	6. 6. -
INC	B--	INC #3, r	C8+r :60+#3	$r \leftarrow r + \#3$	***V0-	2	4. -. -
	-WL	INC #3, r	C8+zz+r :60+#3	$r \leftarrow r + \#3$	-----	2	-. 4. 4
	BW-	INC<W> #3, (mem)	80+zz+mem:60+#3	$(\text{mem}) \leftarrow (\text{mem}) + \#3$	***V0-	2+M	6. 6. -
DEC	B--	DEC #3, r	C8+r :68+#3	$r \leftarrow r - \#3$	***V1-	2	4. -. -
	-WL	DEC #3, r	C8+zz+r :68+#3	$r \leftarrow r - \#3$	-----	2	-. 4. 5
	BW-	DEC<W> #3, (mem)	80+zz+mem:68+#3	$(\text{mem}) \leftarrow (\text{mem}) - \#3$	***V1-	2+M	6. 6. -
NEG	BW-	NEG r	C8+zz+r :07	$r \leftarrow 0 - r$	***V1*	2	5. 5. -
EXTZ	-WL	EXTZ r	C8+zz+r :12	$r\langle\text{high}\rangle \leftarrow 0$	-----	2	-. 4. 4
EXTS	-WL	EXTS r	C8+zz+r :13	$r\langle\text{high}\rangle \leftarrow r\langle\text{low. MSB}\rangle$	-----	2	-. 5. 5
DAA	B--	DAA r	C8+r :10	Decimal adjustment after addition or subtraction.	***P-*	2	6. -. -
PAA	-WL	PAA r	C8+zz+r :14	if $r\langle 0 \rangle \geq 1$ then INC r	-----	2	-. 4. 4

Note 1: With the INC/DEC instruction, when the code value of #3=0, functions as +8/-8.

Note 2: When the ADD R, r (word type) instruction is used in the TLCS-90, the S, Z, and V flags do not change. In the TLCS-900, these flags change.

■ Instruction Lists of 900 (4/10)

Group	Size	Mnemonic	Codes (hex.)	Function	SZHVNC	Length (byte)	State
MUL	BW-	MUL RR, r	C8+zz+r :40+R	RR ← R×r	-----	2	18.26. -
	BW-	MUL rr, #	C8+zz+r :08:#	rr ← r×#	-----	2+#	18.26. -
	BW-	MUL RR, (mem)	80+zz+mem:40+R	RR ← R×(mem)	-----	2+M	18.26. -
MULS	BW-	MULS RR, r	C8+zz+r :48+R	RR ← R×r ;signed	-----	2	18.26. -
	BW-	MULS rr, #	C8+zz+r :09:#	rr ← r×# ;signed	-----	2+#	18.26. -
	BW-	MULS RR, (mem)	80+zz+mem:48+R	RR ←R×(mem);signed	-----	2+M	18.26. -
DIV	BW-	DIV RR, r	C8+zz+r :50+R	R ← RR÷r	---V--	2	22.30. -
	BW-	DIV rr, #	C8+zz+r :0A:#	r ← rr÷#	---V--	2+#	22.30. -
	BW-	DIV RR, (mem)	80+zz+mem:50+R	R ← RR÷(mem)	---V--	2+M	22.30. -
DIVS	BW-	DIVS RR, r	C8+zz+r :58+R	R ← RR÷r ;signed	---V--	2	24.32. -
	BW-	DIVS rr, #	C8+zz+r :0B:#	r ← rr÷# ;signed	---V--	2+#	24.32. -
	BW-	DIVS RR, (mem)	80+zz+mem:58+R	R ← RR÷(mem);signed	---V--	2+M	24.32. -
MULA	-W-	MULA rr	D8+r :19	Multiply and add signed $rr \leftarrow rr + (XDE) \times \frac{(XHL)}{16}$ <small>32bit 32bit 16bit 16bit</small> XHL ← XHL-2	**V--	2	-.31. -
MINC	-W-	MINC1 #, r (#=2**n) (1<n<=15)	D8+r :38:#-1	Modulo increment;+1 if (r mod #)=(#-1) then r←r-(#-1) else r←r+1	-----	4	-. 8. -
	-W-	MINC2 #, r (#=2**n) (2<n<=15)	D8+r :39:#-2	Modulo increment;+2 if (r mod #)=(#-2) then r←r-(#-2) else r←r+2	-----	4	-. 8. -
	-W-	MINC4 #, r (#=2**n) (3<n<=15)	D8+r :3A:#-4	Modulo increment;+4 if (r mod #)=(#-4) then r←r-(#-4) else r←r+4	-----	4	-. 8. -
MDEC	-W-	MDEC1 #, r (#=2**n) (1<n<=15)	D8+r :3C:#-1	Modulo decrement;-1 if (r mod #)=0 then r←r+(#-1) else r←r-1	-----	4	-. 7. -
	-W-	MDEC2 #, r (#=2**n) (2<n<=15)	D8+r :3D:#-2	Modulo decrement;-2 if (r mod #)=0 then r←r+(#-2) else r←r-2	-----	4	-. 7. -
	-W-	MDEC4 #, r (#=2**n) (3<n<=15)	D8+r :3E:#-4	Modulo decrement;-4 if (r mod #)=0 then r←r+(#-4) else r←r-4	-----	4	-. 7. -

Note: Operand RR of the MUL, MULS, DIV, and DIVS instructions indicates that a register twice the size of the operation is specified. When the operation is in bytes (8 bits x 8 bits, 16/8 bits), word register (16 bits) is specified; when the operation is in words (16 bits x 16 bits, 32/16 bits), long word register (32 bits) is specified.

■ Instruction Lists of 900 (5/10)

(5) Logical operations

Group	Size	Mnemonic	Codes (hex.)	Function	SZHVNC	Length (byte)	State
AND	BWL	AND R, r	C8+zz+r :C0+R	R ← R and r	**1P00	2	4. 4. 7
	BWL	AND r, #	C8+zz+r :CC:#	r ← r and #	**1P00	2+#	4. 4. 7
	BWL	AND R, (mem)	80+zz+mem:C0+R	R ← R and (mem)	**1P00	2+M	4. 4. 6
	BWL	AND (mem), R	80+zz+mem:C8+R	(mem) ← (mem) and R	**1P00	2+M	6. 6. 10
	BW-	AND<w> (mem), #	80+zz+mem:3C:#	(mem) ← (mem) and #	**1P00	2+M#	7. 8. -
OR	BWL	OR R, r	C8+zz+r :E0+R	R ← R or r	**0P00	2	4. 4. 7
	BWL	OR r, #	C8+zz+r :CE:#	r ← r or #	**0P00	2+#	4. 4. 7
	BWL	OR R, (mem)	80+zz+mem:E0+R	R ← R or (mem)	**0P00	2+M	4. 4. 6
	BWL	OR (mem), R	80+zz+mem:E8+R	(mem) ← (mem) or R	**0P00	2+M	6. 6. 10
	BW-	OR<w> (mem), #	80+zz+mem:3E:#	(mem) ← (mem) or #	**0P00	2+M#	7. 8. -
XOR	BWL	XOR R, r	C8+zz+r :D0+R	R ← R xor r	**0P00	2	4. 4. 7
	BWL	XOR r, #	C8+zz+r :CD:#	r ← r xor #	**0P00	2+#	4. 4. 7
	BWL	XOR R, (mem)	80+zz+mem:D0+R	R ← R xor (mem)	**0P00	2+M	4. 4. 6
	BWL	XOR (mem), R	80+zz+mem:D8+R	(mem) ← (mem) xor R	**0P00	2+M	6. 6. 10
	BW-	XOR<w> (mem), #	80+zz+mem:3D:#	(mem) ← (mem) xor #	**0P00	2+M#	7. 8. -
CPL	BW-	CPL r	C8+zz+r :06	r ← not r	--1-1-	2	4. 4. -

■ Instruction Lists of 900 (6/10)

(6) Bit operations

Group	Size	Mnemonic	Codes (hex.)	Function	SZHVNC	Length (byte)	State
LDCF	BW-	LDCF #4, r	C8+zz+r :23:#4	CY ← r<#4>	-----*	3	4.4.-
	BW-	LDCF A, r	C8+zz+r :2B	CY ← r<A>	-----*	2	4.4.-
	B--	LDCF #3, (mem)	B0+mem :98+#3	CY ← (mem)<#3>	-----*	2+M	8.-.-
	B--	LDCF A, (mem)	B0+mem :2B	CY ← (mem)<A>	-----*	2+M	8.-.-
STCF	BW-	STCF #4, r	C8+zz+r :24:#4	r<#4> ← CY	-----	3	4.4.-
	BW-	STCF A, r	C8+zz+r :2C	r<A> ← CY	-----	2	4.4.-
	B--	STCF #3, (mem)	B0+mem :A0+#3	(mem)<#3> ← CY	-----	2+M	8.-.-
	B--	STCF A, (mem)	B0+mem :2C	(mem)<A> ← CY	-----	2+M	8.-.-
ANDCF	BW-	ANDCF #4, r	C8+zz+r :20:#4	CY ← CY and r<#4>	-----*	3	4.4.-
	BW-	ANDCF A, r	C8+zz+r :28	CY ← CY and r<A>	-----*	2	4.4.-
	B--	ANDCF #3, (mem)	B0+mem :80+#3	CY ← CY and (mem)<#3>	-----*	2+M	8.-.-
	B--	ANDCF A, (mem)	B0+mem :28	CY ← CY and (mem)<A>	-----*	2+M	8.-.-
ORCF	BW-	ORCF #4, r	C8+zz+r :21:#4	CY ← CY or r<#4>	-----*	3	4.4.-
	BW-	ORCF A, r	C8+zz+r :29	CY ← CY or r<A>	-----*	2	4.4.-
	B--	ORCF #3, (mem)	B0+mem :88+#3	CY ← CY or (mem)<#3>	-----*	2+M	8.-.-
	B--	ORCF A, (mem)	B0+mem :29	CY ← CY or (mem)<A>	-----*	2+M	8.-.-
XORCF	BW-	XORCF #4, r	C8+zz+r :22:#4	CY ← CY xor r<#4>	-----*	3	4.4.-
	BW-	XORCF A, r	C8+zz+r :2A	CY ← CY xor r<A>	-----*	2	4.4.-
	B--	XORCF #3, (mem)	B0+mem :90+#3	CY ← CY xor (mem)<#3>	-----*	2+M	8.-.-
	B--	XORCF A, (mem)	B0+mem :2A	CY ← CY xor (mem)<A>	-----*	2+M	8.-.-
RCF	---	RCF	10	CY ← 0	--0-00	1	2
SCF	---	SCF	11	CY ← 1	--0-01	1	2
CCF	---	CCF	12	CY ← not CY	--X-0*	1	2
ZCF	---	ZCF	13	CY ← not Z flag	--X-0*	1	2
BIT	BW-	BIT #4, r	C8+zz+r :33:#4	Z ← not r<#4>	X*1X0-	3	4.4.-
	B--	BIT #3, (mem)	B0+mem :C8+#3	Z ← not (mem)<#3>	X*1X0-	2+M	8.-.-
RES	BW-	RES #4, r	C8+zz+r :30:#4	r<#4> ← 0	-----	3	4.4.-
	B--	RES #3, (mem)	B0+mem :B0+#3	(mem)<#3> ← 0	-----	2+M	8.-.-
SET	BW-	SET #4, r	C8+zz+r :31:#4	r<#4> ← 1	-----	3	4.4.-
	B--	SET #3, (mem)	B0+mem :B8+#3	(mem)<#3> ← 1	-----	2+M	8.-.-
CHG	BW-	CHG #4, r	C8+zz+r :32:#4	r<#4> ← not r<#4>	-----	3	4.4.-
	B--	CHG #3, (mem)	B0+mem :C0+#3	(mem)<#3>←not (mem)<#3>	-----	2+M	8.-.-
TSET	BW-	TSET #4, r	C8+zz+r :34:#4	Z←not r<#4> : r<#4>←1	X*1X0-	3	6.6.-
	B--	TSET #3, (mem)	B0+mem :A8+#3	Z ← not (mem)<#3> (mem)<#3> ← 1	X*1X0-	2+M	10.-.-
BS1	-W-	BS1F A, r	D8+r :0E	A ← 1 search r;Forward	---①--	2	-.4.-
	-W-	BS1B A, r	D8+r :0F	A ← 1 search r;Backward	---①--	2	-.4.-

Note: ① ; 0 is set when the bit searched for is found, otherwise 1 is set and an undefined value is set in the A register.

■ Instruction Lists of 900 (7/10)

(7) Special operations and CPU control

Group	Size	Mnemonic	Codes (hex.)	Function	SZHVNC	Length (byte)	State
NOP	---	NOP	00	no operation	-----	1	2
NORMAL	---	NORMAL	01	Changes to normal mode. SYSM←0 [privileged]	-----	1	4
MAX	---	MAX	04	Changes to maximum mode. MAX←1 [privileged]	-----	1	4
EI	---	EI [#3]	06 :#3	Sets interrupt enable flag. IFF←#3 [privileged]	-----	2	5
DI	---	DI	06 :07	Disables interrupt. IFF←7 [privileged]	-----	2	5
PUSH	-W-	PUSH SR	02	(-XSP)←SR [privileged]	-----	1	-.4.-
POP	-W-	POP SR	03	SR←(XSP+) [privileged]	*****	1	-.6.-
SWI	---	SWI [#3]	F8+#3	Software interrupt PUSH PC&SR JP 8000H+10H×#3	-----	1	16
HALT	---	HALT	05	CPU halt [privileged]	-----	1	8
LDC	BWL BWL	LDC cr, r LDC r, cr	C8+zz+r :2E:cr C8+zz+r :2F:cr	cr ← r [privileged] r ← cr [privileged]	----- -----	3 3	8.8.8 8.8.8
LDX	B--	LDX (#8), #	F7:00:#8:00:#:00	(#8) ← #	-----	6	9.-.-
LINK	--L	LINK r, d16	E8+r :0C:d16	PUSH r LD r, XSP ADD XSP, d16	-----	4	-.-.10
UNLK	--L	UNLK r	E8+r :0D	LD XSP, r POP r	-----	2	-.-.8
LDF	---	LDF #3	17 :#3	Sets register bank. RFP←#3 (0 at reset)	-----	2	2
INCF	---	INCF	0C	Switches register banks. RFP←RFP+1	-----	1	2
DECF	---	DECF	0D	Switches register banks. RFP←RFP-1	-----	1	2
SCC	BW-	SCC cc, r	C8+zz+r :70+cc	if cc then r ← 1 else r ← 0	-----	2	6.-6.-

Note 1: When operand #3 coding in the EI instruction is omitted, 0 is used as the default value.

Note 2: When operand #3 coding in the SWI instruction is omitted, 7 is used as the default value.

Note 3: The value in the state column for the SWI instruction represents the number of states when the CPU is in minimum mode. In maximum mode, add + 2.

■ Instruction Lists of 900 (8/10)

(8) Rotate and shift

Group	Size	Mnemonic	Codes (hex.)	Function	SZHVNC	Length (byte)	State
RLC	BWL	RLC #4, r	C8+zz+r :E8:#4		**0P0*	3	6.6.8+2n
	BWL	RLC A, r	C8+zz+r :F8		**0P0*	2	6.6.8+2n
	BW-	RLC<W> (mem)	80+zz+mem:78		**0P0*	2+M	8.8.-
RRC	BWL	RRC #4, r	C8+zz+r :E9:#4		**0P0*	3	6.6.8+2n
	BWL	RRC A, r	C8+zz+r :F9		**0P0*	2	6.6.8+2n
	BW-	RRC<W> (mem)	80+zz+mem:79		**0P0*	2+M	8.8.-
RL	BWL	RL #4, r	C8+zz+r :EA:#4		**0P0*	3	6.6.8+2n
	BWL	RL A, r	C8+zz+r :FA		**0P0*	2	6.6.8+2n
	BW-	RL<W> (mem)	80+zz+mem:7A		**0P0*	2+M	8.8.-
RR	BWL	RR #4, r	C8+zz+r :EB:#4		**0P0*	3	6.6.8+2n
	BWL	RR A, r	C8+zz+r :FB		**0P0*	2	6.6.8+2n
	BW-	RR<W> (mem)	80+zz+mem:7B		**0P0*	2+M	8.8.-
SLA	BWL	SLA #4, r	C8+zz+r :EC:#4		**0P0*	3	6.6.8+2n
	BWL	SLA A, r	C8+zz+r :FC		**0P0*	2	6.6.8+2n
	BW-	SLA<W> (mem)	80+zz+mem:7C		**0P0*	2+M	8.8.-
SRA	BWL	SRA #4, r	C8+zz+r :ED:#4		**0P0*	3	6.6.8+2n
	BWL	SRA A, r	C8+zz+r :FD		**0P0*	2	6.6.8+2n
	BW-	SRA<W> (mem)	80+zz+mem:7D		**0P0*	2+M	8.8.-
SLL	BWL	SLL #4, r	C8+zz+r :EE:#4		**0P0*	3	6.6.8+2n
	BWL	SLL A, r	C8+zz+r :FE		**0P0*	2	6.6.8+2n
	BW-	SLL<W> (mem)	80+zz+mem:7E		**0P0*	2+M	8.8.-
SRL	BWL	SRL #4, r	C8+zz+r :EF:#4		**0P0*	3	6.6.8+2n
	BWL	SRL A, r	C8+zz+r :FF		**0P0*	2	6.6.8+2n
	BW-	SRL<W> (mem)	80+zz+mem:7F		**0P0*	2+M	8.8.-
RLD	B--	RLD [A,](mem)	80+mem :06		**0P0-	2+M	12.-.-
RRD	B--	RRD [A,](mem)	80+mem :07		**0P0-	2+M	12.-.-

Note 1: When #4/A is used to specify the number of shifts, the values of lower 4bits (0 to 15) is used. Code 0 means 16 shifts.

Note 2: When the following instructions are used in the TLCS-90, the S, Z and V flags do not change.

RLCA, RRCA, RLA, RRA, SLAA, SRAA, SLLA, and SRLA

In the TLCS-900, these flags change.

■ Instruction Lists of 900 (9/10)

(9) Jump, call and return

Group	Size	Mnemonic	Codes (hex.)	Function	SZHVNC	Length (byte)	State
JP	---	JP #16	1A :#16	PC ← #16	-----	3	7
	---	JP #24	1B :#24	PC ← #24	-----	4	7
	---	JR [cc,]\$+2+d8	60+cc :d8	if cc then PC ← PC+d8	-----	2	8/4 (T/F)
	---	JRL [cc,]\$+3+d16	70+cc :d16	if cc then PC ← PC+d16	-----	3	8/4 (T/F)
	---	JP [cc,]mem	B0+mem :DO+cc	if cc then PC ← mem	-----	2+M	9/6 (T/F)
CALL	---	CALL #16	1C :#16	PUSH PC : JP #16	-----	3	12
	---	CALL #24	1D :#24	PUSH PC : JP #24	-----	4	12
	---	CALR \$+3+d16	1E :d16	PUSH PC : JR \$+3+d16	-----	3	12
	---	CALL [cc,]mem	B0+mem :E0+cc	if cc then PUSH PC : JP mem	-----	2+M	12/6 (T/F)
DJNZ	BW-	DJNZ [r,]\$+3/4+d8	C8+zz+r :1C:d8	r←r-1 if r≠0 then JR \$+3+d8	-----	3	11 (r≠0) 7 (r=0)
RET	---	RET	0E	POP PC	-----	1	9
	---	RET cc	B0 :F0+cc	if cc then POP PC	-----	2	12/6 (T/F)
	---	RETD d16	0F :d16	RET : ADD XSP,d16	-----	3	9
	---	RETI	07	POP SR&PC [privileged]	*****	1	12

Note 1: The value in the state column for the CALL, CALR, RET, RETD, and RETI instructions represents the number of states when the CPU is in minimum mode. In maximum mode, add + 2.

Note 2: (T/F) represents the number of states at true/false.

■ Instruction Lists of 900 (10/10)

(10) Addressing mode

mode	state
R	+ 0
r	+ 1
(R)	+ 0
(R + d8)	+ 2
(#8)	+ 2
(#16)	+ 2
(#24)	+ 3
(r)	+ 5
(r + d16)	+ 5
(r + r8)	+ 8
(r + r16)	+ 8
(- r)	+ 3
(r +)	+ 3

(11) Interrupt

mode		operation	state
General-purpose interrupt processing		PUSH PC PUSH SR IFF ← accepted level + 1 SYSM ← 1 JP 8000H + vector	17 (MAX mode) 15 (MIN mode)
μDMA	I/O to MEM	(DMADn +) ← (DMASn)	16. 16. -
	I/O to MEM	(DMADn -) ← (DMASn)	16. 16. -
	MEM to I/O	(DMADn) ← (DMASn +)	16. 16. -
	MEM to I/O	(DMADn) ← (DMASn -)	16. 16. -
	I/O to I/O	(DMADn) ← (DMASn)	16. 16. -
	DRAM Refresh	Dummy ← (DMASn +)	- . - . 14
	Counter	DMASn ← DMASn + 1	- . - . 11

(Note) For details of interrupt processing, refer to Chapter4 "3.3 Interrupts".

Appendix C Instruction Code Maps (1/4)

1-byte op code instructions

H/L	0	1	2	3	4	5	6	7	8	9	A	B	C	D	E	F
0	NOP	NORMAL	PUSH SR	POP SR	MAX	HALT	EI n	RETI	LD (n), n	PUSH n	LDW (n), nn	PUSHW nn	INCF	DECF	RET	RETD dd
1	RCF	SCF	CCF	ZCF	PUSH A	POP A	EX F, F'	LDF n	PUSH F	POP F	JP nn	JP nnn	CALL nn	CALL nnn	CALR PC+dd	
2	LD R, n								PUSH RR							
3	LD RR, nn								PUSH XRR							
4	LD XRR, nnnn								POP RR							
5									POP XRR							
6	F	LT	LE	ULE	PE/OV	M/MI	Z	JR C	cc, PC + d (T) GE GT UGT PO/NOV P/PL NZ NC							
7	F	LT	LE	ULE	PE/OV	M/MI	Z	JRL C	cc, PC + dd (T) GE GT UGT PO/NOV P/PL NZ NC							
8	scr. B (XWA) (XBC) (XDE) (XHL) (XIX) (XIY) (XIZ) (XSP)								scr. B (XWA + d) (XBC + d) (XDE + d) (XHL + d) (XIX + d) (XIY + d) (XIZ + d) (XSP + d)							
9	scr. W (XWA) (XBC) (XDE) (XHL) (XIX) (XIY) (XIZ) (XSP)								scr. W (XWA + d) (XBC + d) (XDE + d) (XHL + d) (XIX + d) (XIY + d) (XIZ + d) (XSP + d)							
A	scr. L (XWA) (XBC) (XDE) (XHL) (XIX) (XIY) (XIZ) (XSP)								scr. L (XWA + d) (XBC + d) (XDE + d) (XHL + d) (XIX + d) (XIY + d) (XIZ + d) (XSP + d)							
B	dst (XWA) (XBC) (XDE) (XHL) (XIX) (XIY) (XIZ) (XSP)								dst (XWA + d) (XBC + d) (XDE + d) (XHL + d) (XIX + d) (XIY + d) (XIZ + d) (XSP + d)							
C	scr. B (n) (nn) (nnn) (mem) (-xrr) (xrr +)							reg. B r	reg. B W A B C D E H L							
D	scr. W (n) (nn) (nnn) (mem) (-xrr) (xrr +)							reg. W rr	reg. W WA BC DE HL IX IY IZ SP							
E	scr. L (n) (nn) (nnn) (mem) (-xrr) (xrr +)							reg. L xrr	reg. L XWA XBC XDE XHL XIX XIY XIZ XSP							
F	dst (n) (nn) (nnn) (mem) (-xrr) (xrr +)							LDX (n), n	SWI n 0 1 2 3 4 5 6 7							

Note 1: Codes in shaded parts are privileged instructions.

Note 2: Codes in blank parts are undefined instructions (i.e., illegal instructions).

Appendix C Instruction Code Maps (2/4)

1st byte: reg

H/L	0	1	2	3	4	5	6	7	8	9	A	B	C	D	E	F
0				LD r,#	PUSH r	POP r	CPL BW r	NEG BW r	MUL rr,#	MULS rr,#	DIV rr,#	DIVS BW rr,#	LINK L r, dd	UNLK L r	BS1F A, r	BS1B W A, r
1	DAA B r		EXTZ WL r	EXTS WL r	PAA WL r		MIRR W r			MULA W r	 	 	DJNZ BW r, d			
2	ANDCF #, r	ORCF #, r	XORCF #, r	LDCF #, r	STCF BW #, r				ANDCF A, r	ORCF A, r	XORCF A, r	LDCF A, r	STCF BW A, r		LDC cf, r	LDC r, cf
3	RES #, r	SET #, r	CHG #, r	BIT #, r	TSET BW #, r				MINC1 #, r	MINC2 #, r	MINC4 W	 	MDEC1 #, r	MDEC2 #, r	MDEC4 W	
4				MUL R, r				BW				MULS R, r				BW
5				DIV R, r				BW				DIVS R, r				BW
6				INC #3, r								DEC #3, r				
	8	1	2	3	4	5	6	7	8	1	2	3	4	5	6	7
7	F	LT	LE	ULE	PE/OV	M/MI	Z	SCC C	cc, r (T)	GE	GT	UGT	PO/NOV	P/PL	NZ	NC BW
8				ADD R, r								LD R, r				
9				ADC R, r								LD r, R				
A				SUB R, r								LD r, #3				
									0	1	2	3	4	5	6	7
B				SBC R, r								EX R, r				BW
C				AND R, r					ADD r, #	ADC r, #	SUB r, #	SBC r, #	AND r, #	XOR r, #	OR r, #	CP r, #
D				XOR R, r								CP r, #3				BW
									0	1	2	3	4	5	6	7
E				OR R, r					RLC #, r	RRC #, r	RL #, r	RR #, r	SLA #, r	SRA #, r	SLL #, r	SRL #, r
F				CP R, r					RLC A, r	RRC A, r	RL A, r	RR A, r	SLA A, r	SRA A, r	SLL A, r	SRL A, r

- r : Register specified by the 1st byte code. (Any CPU registers can be specified.)
- R : Register specified by the 2nd byte code. (Only eight current registers can be specified.)
- B : Operand size is a byte.
- W : Operand size is a word.
- L : Operand size is a long word.

Note : Dummy instructions are assigned to codes 1AH, 1BH, 3BH, and 3FH. Do not use them.

Appendix C Instruction Code Maps (3/4)

1st byte: src (mem)

H/L	0	1	2	3	4	5	6	7	8	9	A	B	C	D	E	F	
0					PUSH <u>BW</u> (mem)		RLD	RLD <u>B</u>									
1	LDI	LDIR	LDD	LDDR <u>BW</u>	CPI	CPIR	CPD	CPDR <u>BW</u>		LD <u>BW</u>	(nn), (m)						
2	LD				R, (mem)												
3	EX				(mem), R				<u>BW</u>	ADD	ADC	SUB	SBC	AND	XOR	OR	CP <u>BW</u>
4	MUL				R, (mem)				<u>BW</u>	MULS				R, (mem)			
5	DIV				R, (mem)				<u>BW</u>	DIVS				R, (mem)			
6	INC				#3, (mem)				<u>BW</u>	DEC				#3, (mem)			
	8	1	2	3	4	5	6	7	8	1	2	3	4	5	6	7	
7									RLC	RRC	RL	RR	SLA	SRA	SLL	SRL <u>BW</u>	
8	ADD				R, (mem)				ADD (mem), R								
9	ADC				R, (mem)				ADC (mem), R								
A	SUB				R, (mem)				SUB (mem), R								
B	SBC				R, (mem)				SBC (mem), R								
C	AND				R, (mem)				AND (mem), R								
D	XOR				R, (mem)				XOR (mem), R								
E	OR				R, (mem)				OR (mem), R								
F	CP				R, (mem)				CP (mem), R								

B : Operand size is a byte.

W : Operand size is a word.

Appendix C Instruction Code Maps (4/4)

1st byte: dst (mem)

H/L	0	1	2	3	4	5	6	7	8	9	A	B	C	D	E	F
0	LD <u>B</u> (m), #		LD <u>W</u> (m), #		POP <u>B</u> (mem)		POP <u>W</u> (mem)									
1					LD <u>B</u> (m), (nn)		LD <u>W</u> (m), (nn)									
2	LDA R, mem							<u>W</u>	ANDCF	ORCF	XORCF	LDCF	STCF <u>B</u>	A, (mem)		
3	LDA R, mem							<u>L</u>								
4	LD (mem), R							<u>B</u>								
5	LD (mem), R							<u>W</u>								
6	LD (mem), R							<u>L</u>								
7																
8	ANDCF #3, (mem)							<u>B</u>	ORCF #3, (mem)							<u>B</u>
	0	1	2	3	4	5	6	7	0	1	2	3	4	5	6	7
9	XORCF #3, (mem)							<u>B</u>	LDCF #3, (mem)							<u>B</u>
	0	1	2	3	4	5	6	7	0	1	2	3	4	5	6	7
A	STCF #3, (mem)							<u>B</u>	TSET #3, (mem)							<u>B</u>
	0	1	2	3	4	5	6	7	0	1	2	3	4	5	6	7
B	RES #3, (mem)							<u>B</u>	SET #3, (mem)							<u>B</u>
	0	1	2	3	4	5	6	7	0	1	2	3	4	5	6	7
C	CHG #3, (mem)							<u>B</u>	BIT #3, (mem)							<u>B</u>
	0	1	2	3	4	5	6	7	0	1	2	3	4	5	6	7
D								JP cc, mem								
	F	LT	LE	ULE	PE/OV	M/MI	Z	C	(T)	GE	GT	UGT	PO/NOV	P/PL	NZ	NC
E								CALL cc, mem								
	F	LT	LE	ULE	PE/OV	M/MI	Z	C	(T)	GE	GT	UGT	PO/NOV	P/PL	NZ	NC
F								RET cc	(1st byte code is B0H.)							
	F	LT	LE	ULE	PE/OV	M/MI	Z	C	(T)	GE	GT	UGT	PO/NOV	P/PL	NZ	NC

- B : Operand size is a byte.
- W : Operand size is a word.
- L : Operand size is a long word.

Appendix D Differences between TLCS-90 and TLCS-900 Series

Item \ Series	TLCS-90	TLCS-900																
CPU architecture	8-bit CPU	16-bit CPU																
Built-in ROM/built-in RAM	8-bit data bus	16-bit data bus																
Built-in I/O	8-bit data bus	<u>8-bit</u> data bus																
External data bus	8-bit data bus	8-bit/16-bit data bus (can be mixed)																
Program space (except devices with MMU)	64 KB	16MB (linear)																
Data space	16MB (bank)	16MB (linear)																
Instruction set/instruction mnemonic	TLCS-90	TLCS-90 + α α = enhancement of 16-bit multiply / divide instructions and bit operation instruction. 32-bit load/operation instructions, C compiler instructions, register bank operation instructions, etc.																
Instruction code (object code)	Unique to TLCS-90	Unique to TLCS-900 (Different from TLCS-90.)																
Addressing mode	TLCS-90	TLCS-90 + α α = (- Reg), (Reg +), (Reg + disp16), (Reg + Reg16), (nnn)																
General-purpose register	TLCS-90	TLCS-90 + α α = Uses as 32 bits and register bank, and adds a system stack pointer.																
Flag (F)	<table border="1" style="display: inline-table; border-collapse: collapse;"> <tr> <td>S</td><td>Z</td><td>I</td><td>H</td><td>X</td><td>V</td><td>N</td><td>C</td> </tr> </table>	S	Z	I	H	X	V	N	C	<table border="1" style="display: inline-table; border-collapse: collapse;"> <tr> <td>S</td><td>Z</td><td>"0"</td><td>H</td><td>"0"</td><td>V</td><td>N</td><td>C</td> </tr> </table> <p>I flag is extended to IFF2 to 0 of status register. X flag is deleted.</p>	S	Z	"0"	H	"0"	V	N	C
S	Z	I	H	X	V	N	C											
S	Z	"0"	H	"0"	V	N	C											
Reset	PC ← 0000H (SP does not change.)	PC ← 8000H X5P ← 100H																
Built-in ROM address	0000H to	undefined																
Built-in RAM address	to FFxxH	0080H to																
Built-in I/O address	FFxxH~FFFFH	0000H~007FH																
Direct addressing area (n)	FF00H~FFFFH	0000H~00FFH																
Interrupt																		
Interrupt start address	0000H + (8 × V)	8000H + (10H × V)																
Register to be saved	PC & AF	PC & SR																
Mask register	IFF	IFF2~0																
Mask level	0~1	0~7																

Item \ Series	TLCS-90	TLCS-900
<p>Instruction</p> <p>① ADD R, r (word type)</p> <p>② Shift of A register</p>	<p>S/Z/V flags don't change.</p> <p>[S/Z/V flag changes expect add 16 bit register.]</p> <p>[RLCA RRCA RLA RRA SLAA SRAA SLLA SRLA]</p> <p>S/Z/V flags don't change in these instruction.</p> <p>[RLC A RRC A RL A RR A SLA A SRA A SLL A SRL A]</p> <p>S/Z/V flag changes in these instruction.</p>	<p>S/Z/V flag changes.</p> <p>S/Z/V flag changes.</p>

Note : The TLCS-900 series is essentially the same as the TLCS-90 series but with a 16-bit CPU. Built-in I/Os are completely compatible with those of the TLCS-90.

However, six types of instructions used in the TLCS-90 series do not directly correspond with those used in the TLCS-900 series. Thus, when transferring programs designed for the TLCS-90 to the TLCS-900, replace them with equivalents as follows:

Instructions in TLCS-90 but not in TLCS-900	Equivalent instructions in TLCS-900
EXX	EX BC, BC' EX DE, DE' EX HL, HL'
EX AF, AF'	EX A, A' EX F, F'
PUSH AF	PUSH A PUSH F
POP AF	POP F POP A
INCX	(32-bit INC instruction)
DECX	(32-bit DEC instruction)

Some TLCS-900 series instructions, though basically the same as TLCS-90 instructions, have more functions and more specification items in their operands. They are listed below.

TLCS-90	TLCS-900
INC reg INC mem	INC imm3, reg INC imm3, mem
DEC reg DEC mem	DEC imm3, reg DEC imm3, mem
RLC reg RRC reg RL reg RR reg SLA reg SRA reg SLL reg SRL reg	RLC imm, reg RRC imm, reg RL imm, reg RR imm, reg SLA imm, reg SRA imm, reg SLL imm, reg SRL imm, reg