

Thick Film Resistor/Capacitor Networks, Single-In-Line, Conformal Coated SIP



FEATURES

- Isolated and bussed schematics available
- Thick film resistors
- NP0 or X7R capacitors for line terminator
- Wide operating temperature range (- 55 °C to 125 °C)
- Custom Resistor/Capacitor schematics available
- Material categorization: For definitions of compliance please see www.vishay.com/doc?99912



Note

* Lead (Pb)-containing terminations are not RoHS-compliant. Exemptions may apply.

STANDARD ELECTRICAL SPECIFICATIONS									
MODEL	SCHEMATIC	RESISTOR CHARACTERISTICS				CAPACITOR CHARACTERISTICS			
		POWER RATING <i>P</i> 70 °C <i>W</i>	RESISTANCE RANGE Ω	RESISTANCE TOLERANCE ⁽¹⁾ \pm %	TEMP. COEFF. \pm ppm/°C	TYPE ⁽²⁾	CAPACITANCE RANGE	CAPACITANCE TOLERANCE ⁽³⁾ \pm %	CAPACITANCE VOLTAGE <i>V</i> _{bc}
TRC	01	0.20	10 to 1M	1, 2, 5	150	NP0	33 pF to 3900 pF	10, 20	50
						X7R	470 pF to 0.1 μ F	10, 20	
	02	0.20	10 to 1M	1, 2, 5	150	NP0	33 pF to 3900 pF	10, 20	50
						X7R	470 pF to 0.1 μ F	10, 20	
	09	0.20	10 to 1M	1, 2, 5	150	NP0	33 pF to 3900 pF	10, 20	50
						X7R	470 pF to 0.1 μ F	10, 20	

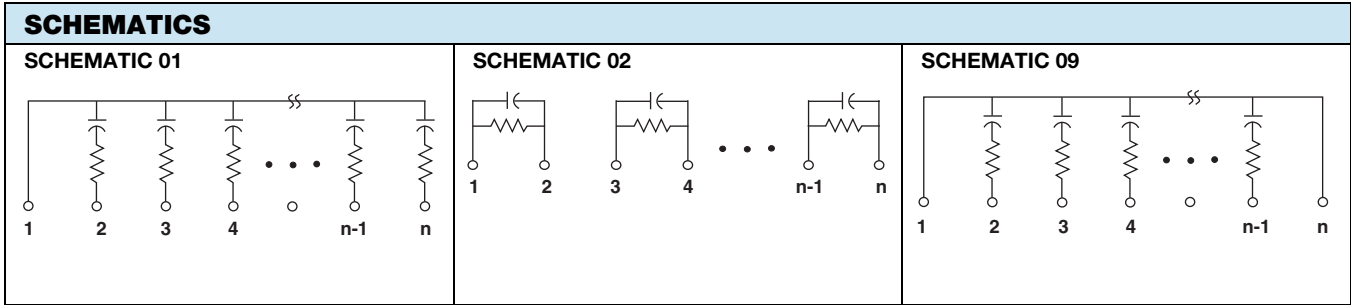
Notes

- (1) \pm 2 % standard, \pm 1 % and \pm 5 % available
- (2) NP0 capacitors may be substituted for X7R capacitors
- (3) Tighter tolerances available on request

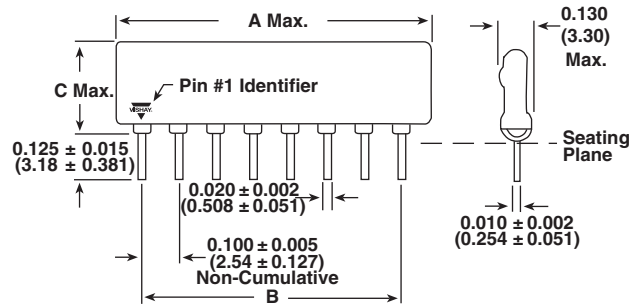
GLOBAL PART NUMBER INFORMATION																	
New Global Part Numbering: TRC0801N101J560KTB (preferred part number format)																	
T	R	C	0	8	0	1	N	1	0	1	J	5	6	0	K	T	B
GLOBAL MODEL	PIN COUNT	SCHEMATIC	CHARACTERISTICS	RESISTANCE VALUE	RESISTANCE TOLERANCE	CAPACITANCE VALUE	CAPACITANCE TOLERANCE	TERMINAL FINISH	PACKAGING								
TRC	06 to 12 pin available 06 = 6 pin 08 = 8 pin 12 = 12 pin	01 02 09	N = NP0 X = X7R	2 digit significant figure, followed by a multiplier 101 = 100 Ω 220 = 22 Ω 102 = 1 k Ω	F = 1 % G = 2 % J = 5 %	(In picofarads) 2 digit significant figure, followed by a multiplier 101 = 100 pF 392 = 3000 pF 104 = 0.1 μ F	K = 10 % M = 20 %	T = Sn90/Pb10 C = Sn95.5/Ag3.9/Cu0.6	B = Bulk								
Historical Part Numbering: TRC0801101J560KS10 (will continue to be accepted)																	
TRC	08	01	101	J	560	K	S10										
HISTORICAL MODEL	PIN COUNT	SCHEMATIC	RESISTANCE VALUE	RESISTANCE TOLERANCE	CAPACITANCE VALUE	CAPACITANCE TOLERANCE	TERMINAL FINISH										

Notes

- For additional information on packaging, refer to the Through-hole Network Packaging document (www.vishay.com/doc?31542).


Note

- Custom schematics available

DIMENSIONS in inches (millimeters)


NUMBER OF PINS	A (Max.)	B ± 0.005 (0.127)	C (Max.)
6	0.590 (14.99)	0.500 (12.70)	0.350 (8.89)
7	0.690 (17.53)	0.600 (15.24)	0.350 (8.89)
8	0.790 (20.07)	0.700 (17.78)	0.350 (8.89)
9	0.890 (22.61)	0.800 (20.32)	0.350 (8.89)
10	0.990 (25.15)	0.900 (22.86)	0.350 (8.89)
11	1.09 (27.69)	1.00 (25.40)	0.350 (8.89)
12	1.19 (30.23)	1.10 (27.94)	0.350 (8.89)

Note

- Other sizes available



Disclaimer

ALL PRODUCT, PRODUCT SPECIFICATIONS AND DATA ARE SUBJECT TO CHANGE WITHOUT NOTICE TO IMPROVE RELIABILITY, FUNCTION OR DESIGN OR OTHERWISE.

Vishay Intertechnology, Inc., its affiliates, agents, and employees, and all persons acting on its or their behalf (collectively, "Vishay"), disclaim any and all liability for any errors, inaccuracies or incompleteness contained in any datasheet or in any other disclosure relating to any product.

Vishay makes no warranty, representation or guarantee regarding the suitability of the products for any particular purpose or the continuing production of any product. To the maximum extent permitted by applicable law, Vishay disclaims (i) any and all liability arising out of the application or use of any product, (ii) any and all liability, including without limitation special, consequential or incidental damages, and (iii) any and all implied warranties, including warranties of fitness for particular purpose, non-infringement and merchantability.

Statements regarding the suitability of products for certain types of applications are based on Vishay's knowledge of typical requirements that are often placed on Vishay products in generic applications. Such statements are not binding statements about the suitability of products for a particular application. It is the customer's responsibility to validate that a particular product with the properties described in the product specification is suitable for use in a particular application. Parameters provided in datasheets and / or specifications may vary in different applications and performance may vary over time. All operating parameters, including typical parameters, must be validated for each customer application by the customer's technical experts. Product specifications do not expand or otherwise modify Vishay's terms and conditions of purchase, including but not limited to the warranty expressed therein.

Except as expressly indicated in writing, Vishay products are not designed for use in medical, life-saving, or life-sustaining applications or for any other application in which the failure of the Vishay product could result in personal injury or death. Customers using or selling Vishay products not expressly indicated for use in such applications do so at their own risk. Please contact authorized Vishay personnel to obtain written terms and conditions regarding products designed for such applications.

No license, express or implied, by estoppel or otherwise, to any intellectual property rights is granted by this document or by any conduct of Vishay. Product names and markings noted herein may be trademarks of their respective owners.