

REVISIONS			
LT#	DESCRIPTION	DATE	APPROVED
A0	ENGINEERING	10-25-80	
B0	PILOT	10-25-80	
B1	REFER TO ECO # 0002	10-26-80	A. Frost
B2	REFER TO ECO # 0003	11-7-80	A. Frost
B3	REFER TO ECO # 0004	12/1/80	A. Frost
B4	REFER TO ECO # 0006	12/1/80	A. Frost
B5	REFER TO ECO # 0007	12/3/80	A. Frost
B6	REFER TO ECO # 0013	12/22/80	A. Frost
B7	REFER TO ECO # 0014	12/22/80	A. Frost
B8	REFER TO ECO # 0015	1/14/81	A. Frost
B9	REFER TO ECO # 0021	1/14/81	A. Frost
B0	REFER TO ECO # 0034	2/17/81	A. Frost
B11	REFER TO ECO # 0039	2/19/81	A. Frost
B12	REFER TO ECO # 0040	2/20/81	A. Frost
B13	REFER TO ECO # 0044	3/14/81	A. Frost
B14	REFER TO ECO # 0045	3/14/81	A. Frost
B15	REFER TO ECO # 0064	4/7/81	A. Frost
B16	REFER TO ECO # 0078	6/2/81	A. Frost
C0	REFER TO ECO # 0076	6/2/81	A. Frost
C1	REFER TO ECO # 0070	6/2/81	A. Frost
C2	REFER TO ECO # 0077	6/2/81	A. Frost
C3	REFER TO ECO # 0082	7/13/81	A. Frost
C4	REFER TO ECO # 0100	9/15/81	A. Frost

SPARES :



74LS125



74LS367



74LS04

IC	INPUTS	OUTPUTS
G5	3, 11	4, 10
E3	1	2
E12	1	2
C15	10	11
B14	9	8



9610

IC	INPUTS	OUTPUTS
C16	8, 9	10
B13	5, 6	4



74LS00

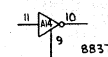


74LS14



74LS06

INPUTS : 4, 5 ; 12, 13
OUTPUTS : 6 ; 11

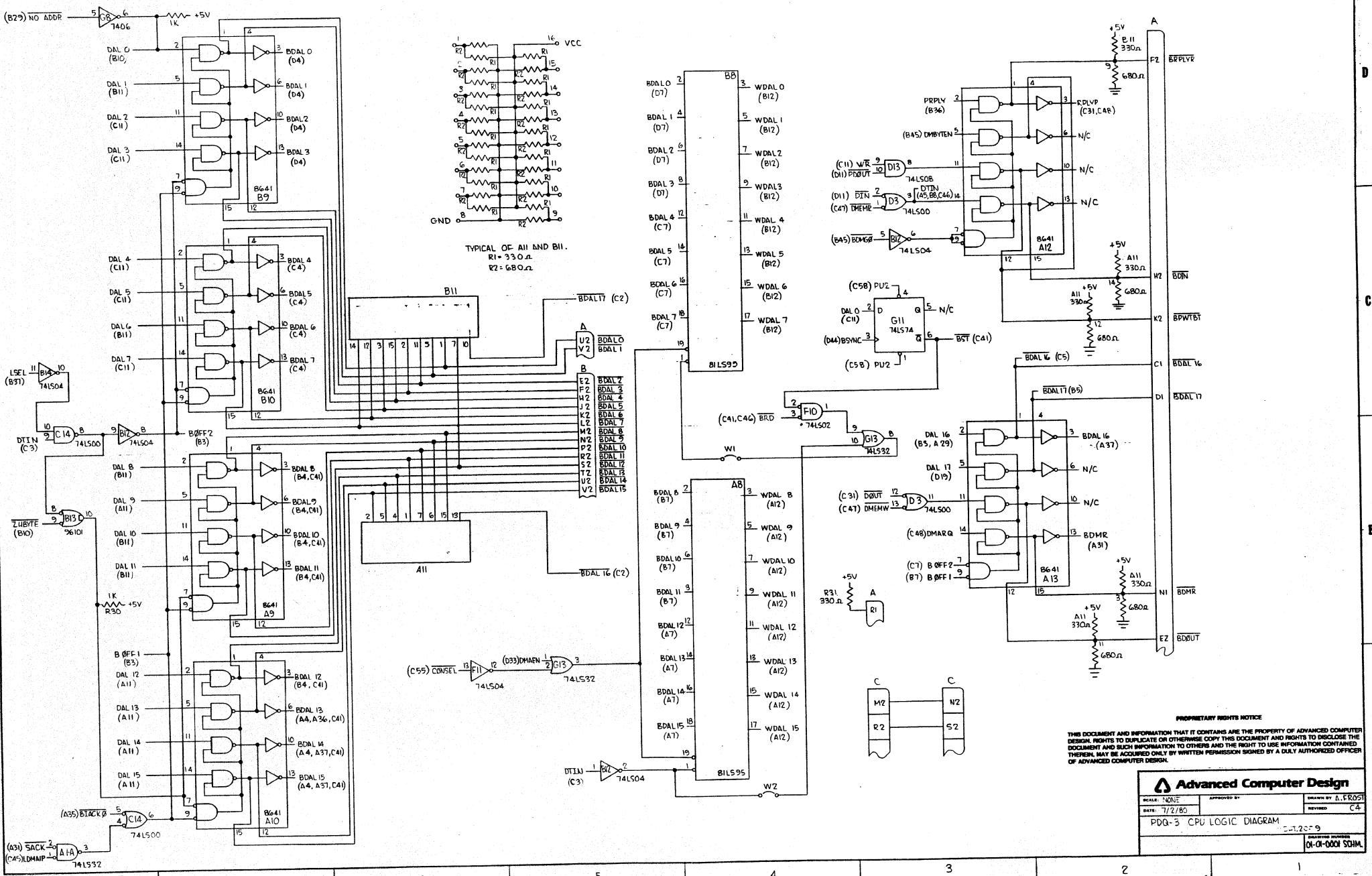


8837

PROPRIETARY RIGHTS NOTICE																			
THIS DOCUMENT AND INFORMATION THAT IT CONTAINS ARE THE PROPERTY OF ADVANCED COMPUTER DESIGN. RIGHTS TO DUPLICATE OR OTHERWISE COPY THIS DOCUMENT AND RIGHTS TO DISCLOSE THE DOCUMENT AND SUCH INFORMATION TO OTHERS AND THE RIGHT TO USE INFORMATION CONTAINED THEREIN, MAY BE ACQUIRED ONLY BY WRITTEN PERMISSION SIGNED BY A DULY AUTHORIZED OFFICER OF ADVANCED COMPUTER DESIGN.																			
UNLESS OTHERWISE SPECIFIED DIMENSIONING AND TOLERANCING PER USAS1 Y14.5 DIMENSIONS ARE IN INCHES AND APPLY AFTER PLATING. TOLERANCES ON DECIMALS: XX = ±.03 XX1 = ±.010 TOLERANCE ON ANGLES = ±.01° BREAK SHARP EDGES AND MAX. SURFACE ROUGHNESS 125		<table border="1"> <tr> <td colspan="2">DRAWN</td> <td colspan="2">A. FROST 10-25-80</td> </tr> <tr> <td colspan="2">CHECK</td> <td colspan="2">10-28-80</td> </tr> <tr> <td colspan="4">PROJECT ENGR</td> </tr> </table>		DRAWN		A. FROST 10-25-80		CHECK		10-28-80		PROJECT ENGR							
DRAWN		A. FROST 10-25-80																	
CHECK		10-28-80																	
PROJECT ENGR																			
<table border="1"> <tr> <td colspan="2">DRAWING NUMBER</td> <td colspan="2">REV</td> </tr> <tr> <td colspan="2">Q1-01-0001 SCHM.</td> <td colspan="2">C4</td> </tr> </table>		DRAWING NUMBER		REV		Q1-01-0001 SCHM.		C4		<table border="1"> <tr> <td colspan="2">SCALE</td> <td colspan="2">NONE</td> </tr> <tr> <td colspan="2">SHEET</td> <td colspan="2">1 OF 9</td> </tr> </table>		SCALE		NONE		SHEET		1 OF 9	
DRAWING NUMBER		REV																	
Q1-01-0001 SCHM.		C4																	
SCALE		NONE																	
SHEET		1 OF 9																	

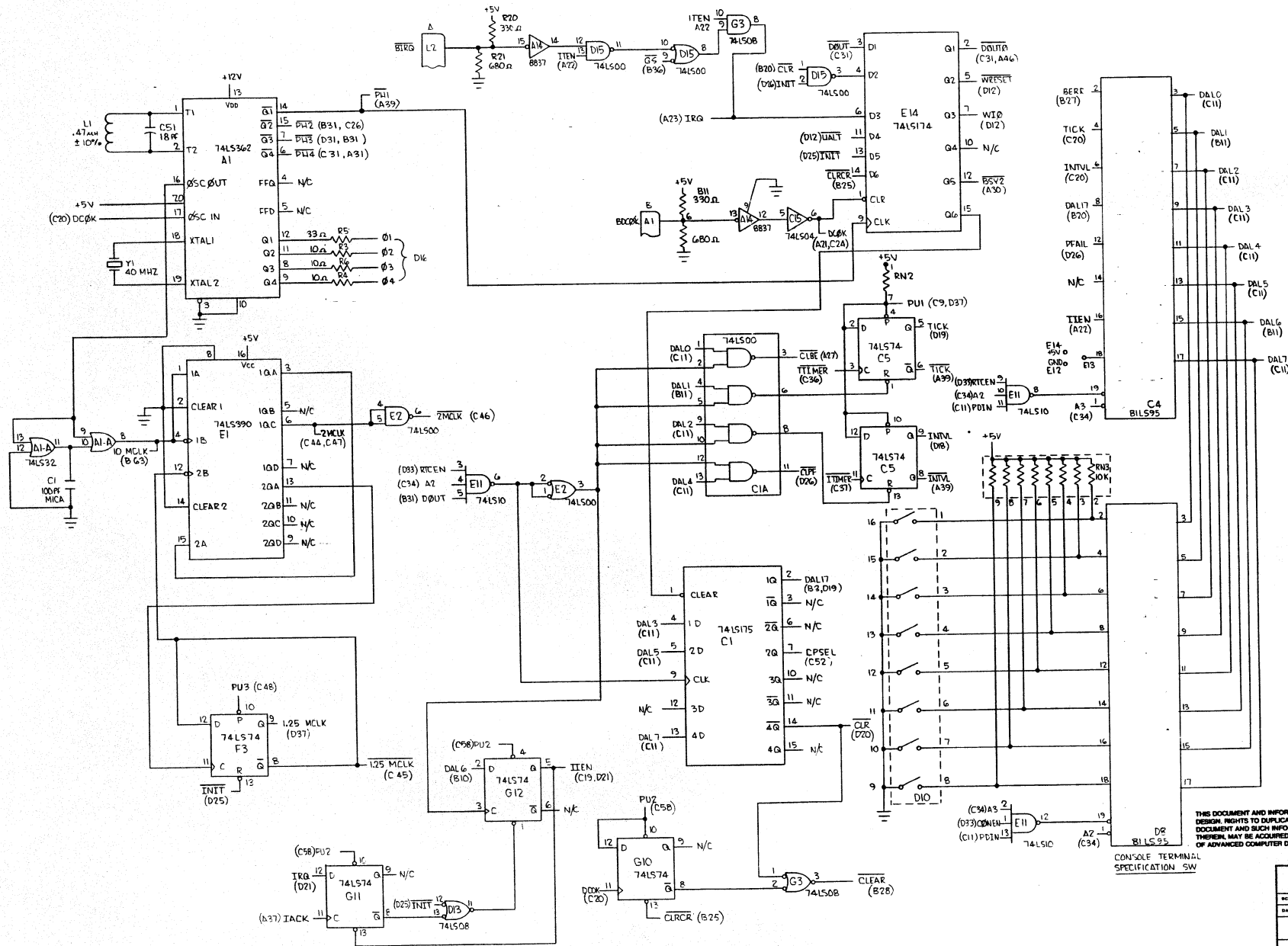
NOTES: UNLESS OTHERWISE SPECIFIED.

DO NOT SCALE DRAWING



PROPRIETARY RIGHTS NOTICE
 THIS DOCUMENT AND INFORMATION THAT IT CONTAINS ARE THE PROPERTY OF ADVANCED COMPUTER DESIGN. RIGHTS TO DUPLICATE OR OTHERWISE COPY THIS DOCUMENT AND RIGHTS TO DISCLOSE THE DOCUMENT AND SUCH INFORMATION TO OTHERS AND THE RIGHT TO USE INFORMATION CONTAINED THEREIN, MAY BE ACQUIRED ONLY BY WRITTEN PERMISSION SIGNED BY A DULY AUTHORIZED OFFICER OF ADVANCED COMPUTER DESIGN.

Advanced Computer Design			
SCALE: NONE	APPROVED BY:	DRAWN BY: A. FROST	
DATE: 7/2/80	REVISED:	CA	
PDQ-3 CPU LOGIC DIAGRAM			
01-01-0001 SCHM.			



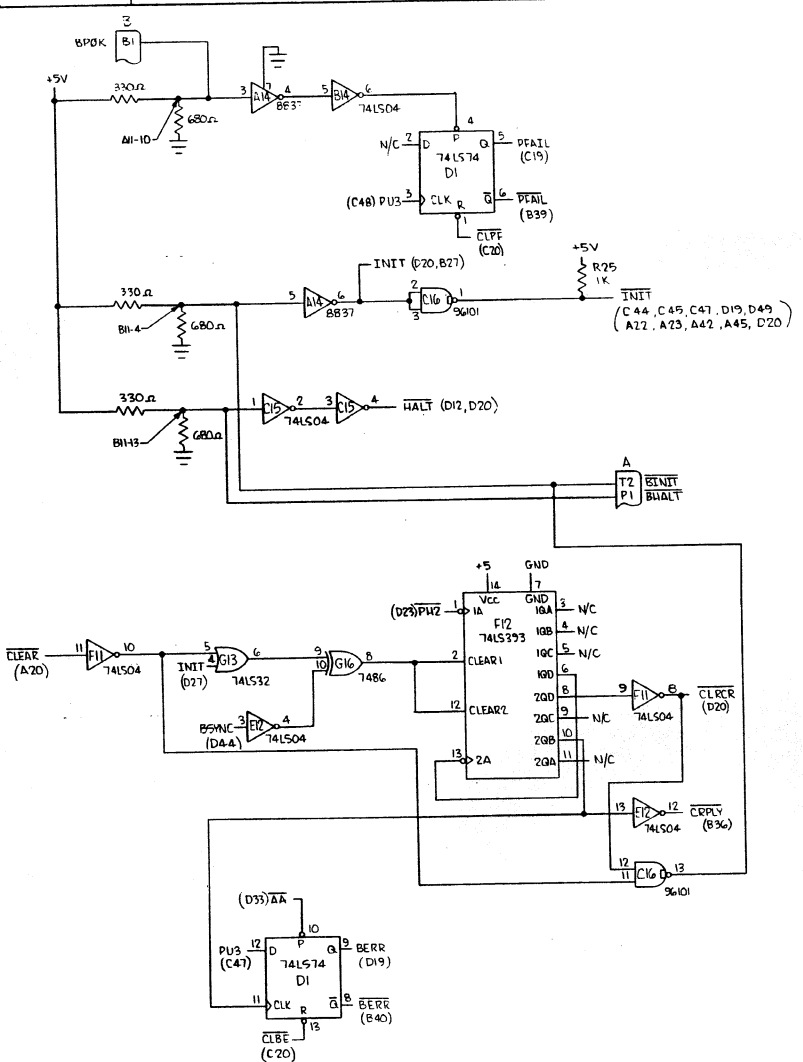
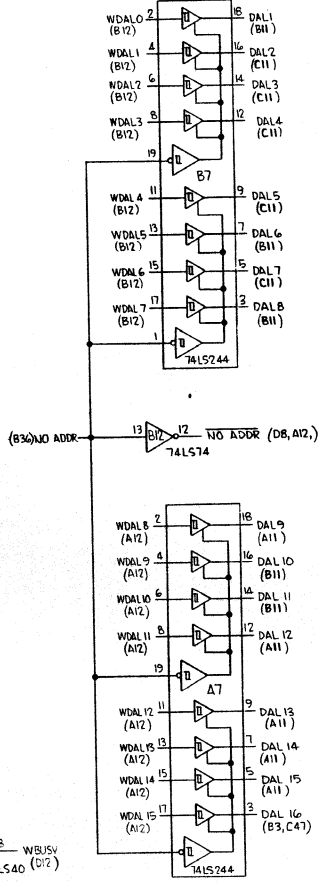
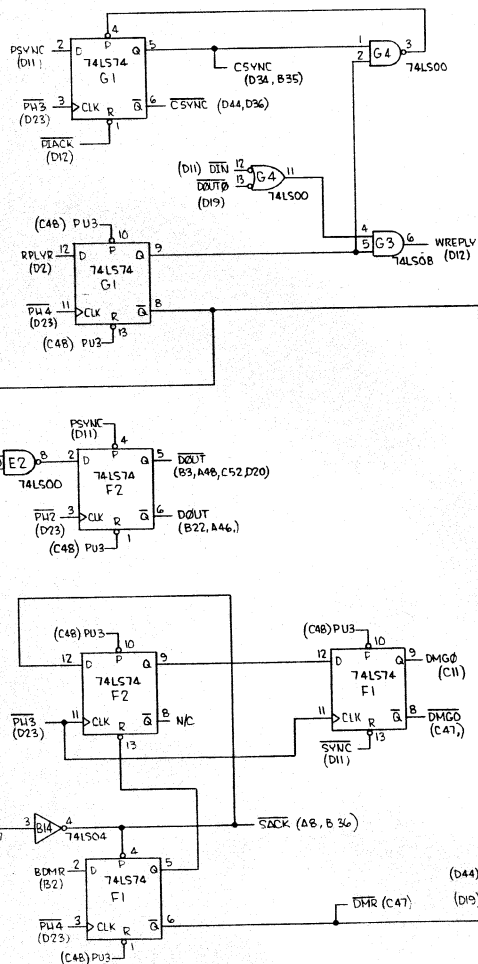
PROPRIETARY RIGHTS NOTICE

THIS DOCUMENT AND INFORMATION THAT IT CONTAINS ARE THE PROPERTY OF ADVANCED COMPUTER DESIGN. RIGHTS TO DUPLICATE OR OTHERWISE COPY THIS DOCUMENT AND RIGHTS TO DISCLOSE THE DOCUMENT AND SUCH INFORMATION TO OTHERS AND THE RIGHT TO USE INFORMATION CONTAINED THEREIN, MAY BE ACQUIRED ONLY BY WRITTEN PERMISSION SIGNED BY A DULY AUTHORIZED OFFICER OF ADVANCED COMPUTER DESIGN.

CONSOLE TERMINAL SPECIFICATION SW

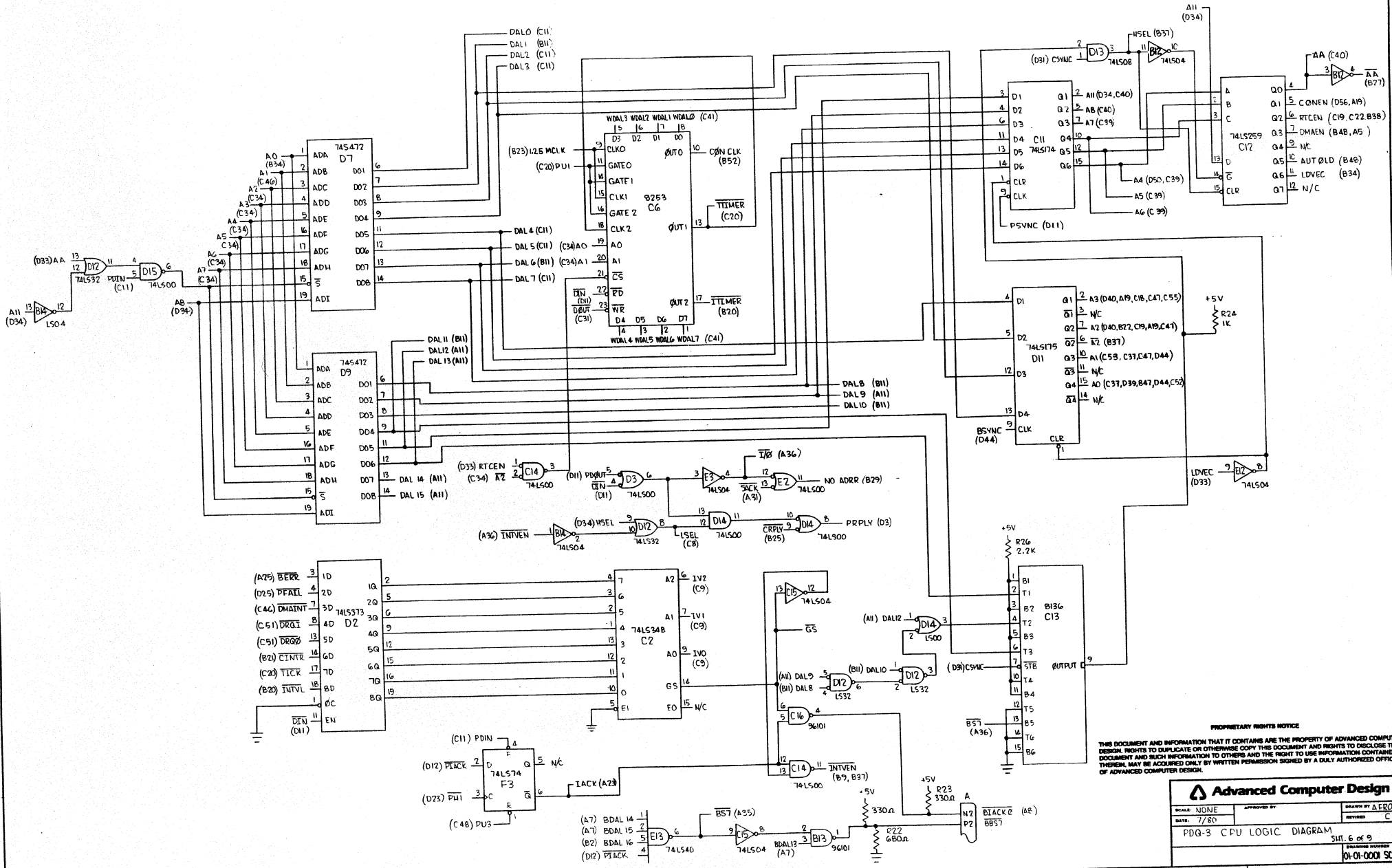
Advanced Computer Design

SCALE: NONE	APPROVED BY:	DRAWN BY: Δ, P.351
DATE: 7/8/82	REVIEWED: C4	
PDQ-3 CPU LOGIC DIAGRAM		SUB. 4.4.9
		DESIGN NUMBER: 04-01-0001 SCUM



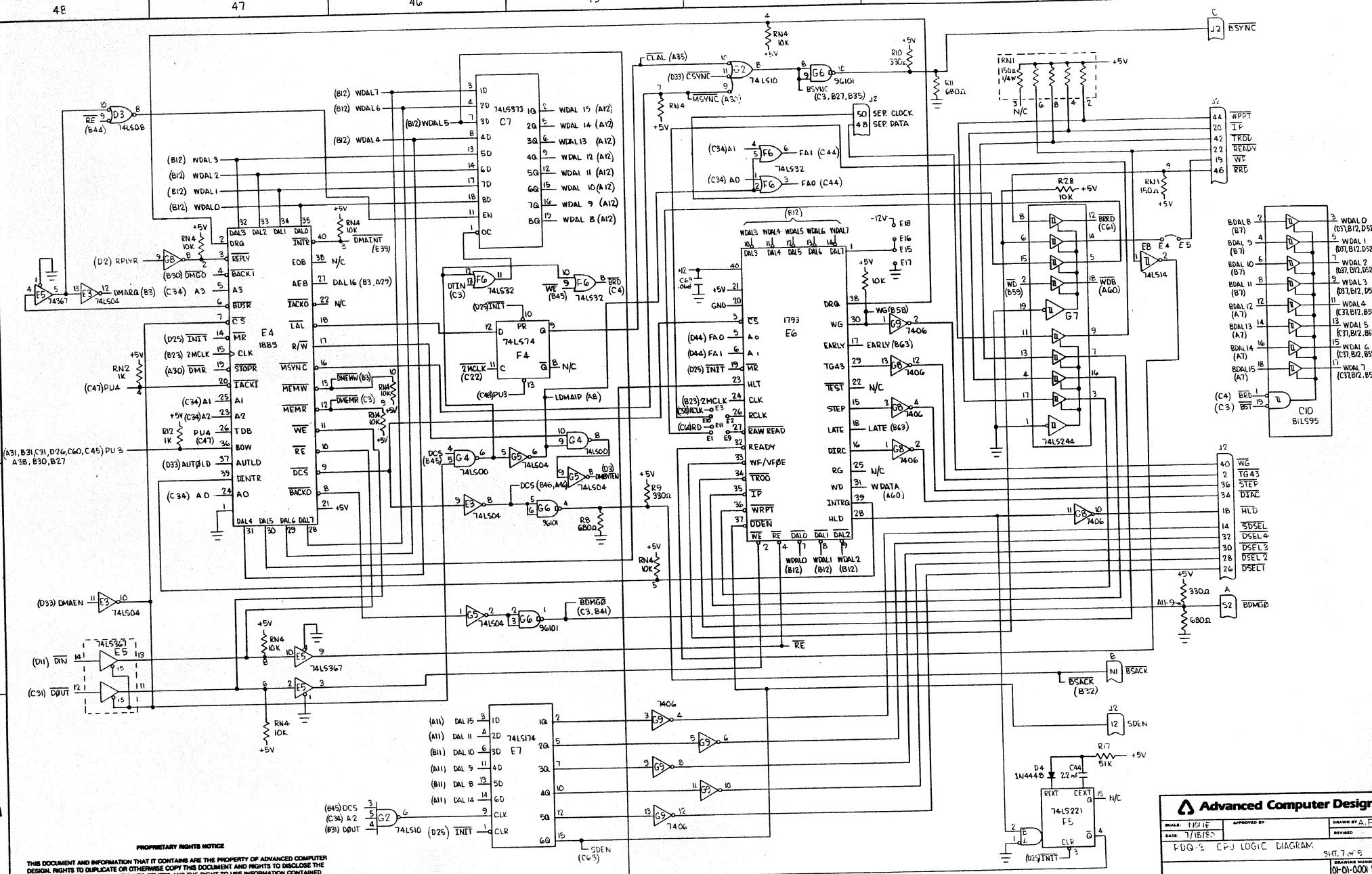
PROPRIETARY RIGHTS NOTICE
 THIS DOCUMENT AND INFORMATION THAT IT CONTAINS ARE THE PROPERTY OF ADVANCED COMPUTER DESIGN. RIGHTS TO DUPLICATE OR OTHERWISE COPY THIS DOCUMENT AND RIGHTS TO DISCLOSE THE DESIGN, OR SUCH INFORMATION TO OTHERS AND THE RIGHT TO USE INFORMATION CONTAINED THEREIN, MAY BE ACQUIRED ONLY BY WRITTEN PERMISSION ISSUED BY A DULY AUTHORIZED OFFICER OF ADVANCED COMPUTER DESIGN.

Advanced Computer Design		
SCALE: NONE	APPROVED BY:	DESIGNED BY: A. FROST
DATE: 7/9/80	REVISED:	C4
PDG-3 CPU LOGIC DIAGRAM		SHEET 5 of 9
		OR-01-0001 SCHN



PROPRIETARY RIGHTS NOTICE
 THIS DOCUMENT AND INFORMATION THAT IT CONTAINS ARE THE PROPERTY OF ADVANCED COMPUTER DESIGN. RIGHTS TO DUPLICATE OR OTHERWISE COPY THIS DOCUMENT AND RIGHTS TO DISCLOSE THE DOCUMENT AND SUCH INFORMATION TO OTHERS AND THE RIGHT TO USE INFORMATION CONTAINED THEREIN, MAY BE ACCQUIRED ONLY BY WRITTEN PERMISSION SIGNED BY A DULY AUTHORIZED OFFICER OF ADVANCED COMPUTER DESIGN.

Advanced Computer Design	
SCALE: NONE	APPROVED BY: _____
DATE: 7/80	DRAWN BY: A.EROST
PDG-3 CPU LOGIC DIAGRAM	
SHEET 6 OF 9	DRAWING NUMBER: 01-01-0001 SCUM



PROPRIETARY RIGHTS NOTICE
 THIS DOCUMENT AND INFORMATION THAT IT CONTAINS ARE THE PROPERTY OF ADVANCED COMPUTER DESIGN. RIGHTS TO DUPLICATE OR OTHERWISE COPY THIS DOCUMENT AND RIGHTS TO DISCLOSE THE DOCUMENT AND SUCH INFORMATION TO OTHERS AND THE RIGHT TO USE INFORMATION CONTAINED THEREIN, MAY BE ACQUIRED ONLY BY WRITTEN PERMISSION SIGNED BY A DULY AUTHORIZED OFFICER OF ADVANCED COMPUTER DESIGN.

Advanced Computer Design

SCALE: NONE	APPROVED BY:	DRAWN BY: A. FROST
DATE: 7/16/85	REVIEWED: C2	
FDQ-3 CPU LOGIC DIAGRAM		SHT. 7 OF 8
		DRAWING NUMBER: 04-01-0001 SCHM

