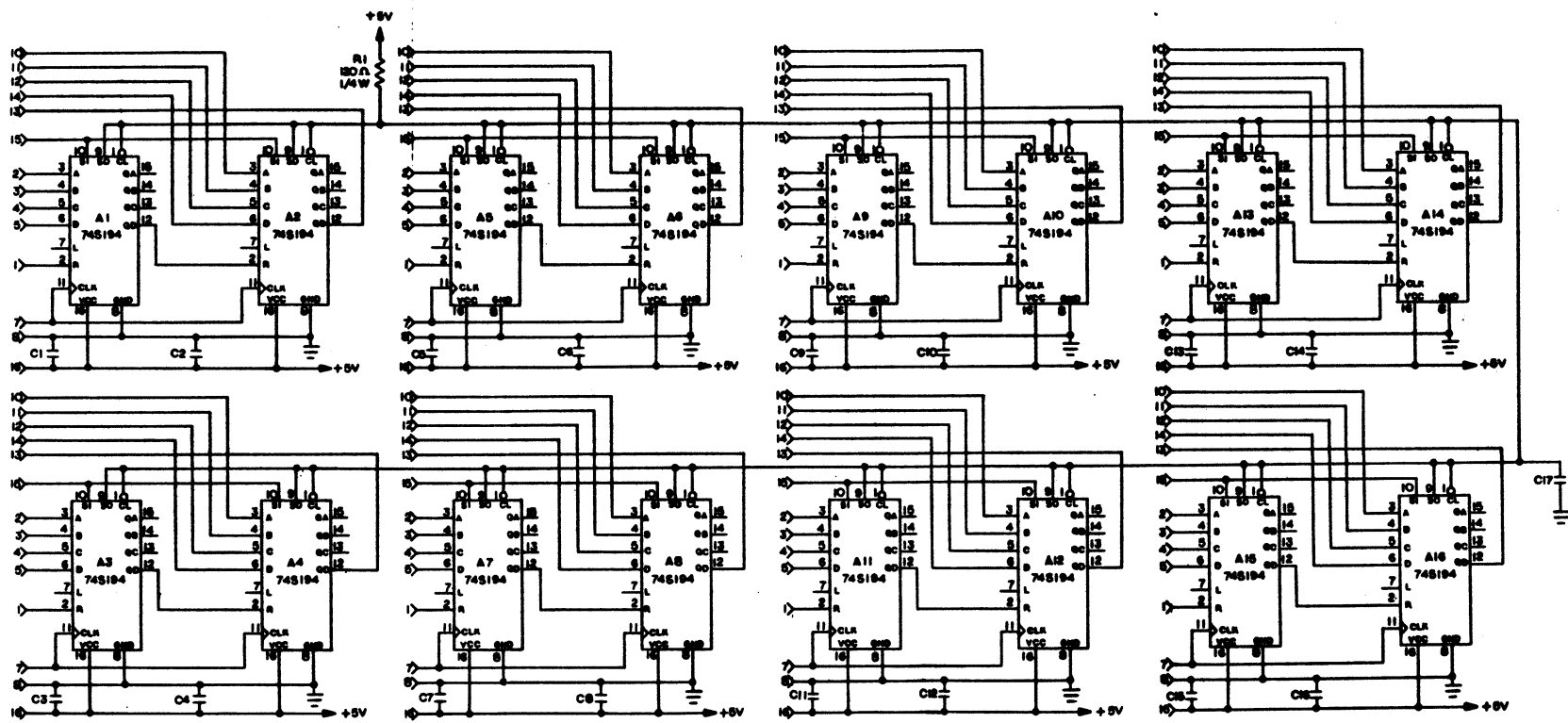


REVISIONS			
NO.	DESCRIPTION	DATE	APPROVED
2	PCN REL - PCN NO. 412	10/10/68	[Signature]



NOTES: UNLESS OTHERWISE SPECIFIED.
 1. ALL CAPS ARE .1UF.

REV	REV	REV	REV	REV	REV	REV	REV
01	120183-01	1024					
PARTS LIST			DESCRIPTION				
TELEPHONE UNLESS OTHERWISE SPECIFIED			MATERIAL				
JON - 1 -			PAGES				
LEAD - 1 -			SCHEDULE TITLE				
ANGULAR -			SCHEMATIC, SERIAL CONVERTER BOARD				
SURFACE -			SCALE				
DRAWN BY: NERY ASBY			ADVANCED ELECTRONICS CORP., INC. SUDBURY, MASS. 01888				
CHECKED BY: [Signature]			DESIGN NUMBER: 120183-01				
DATE: 10/10/68			REV: 2				