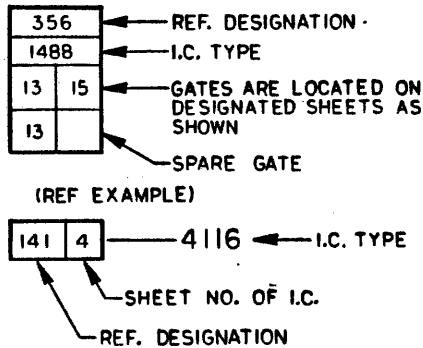


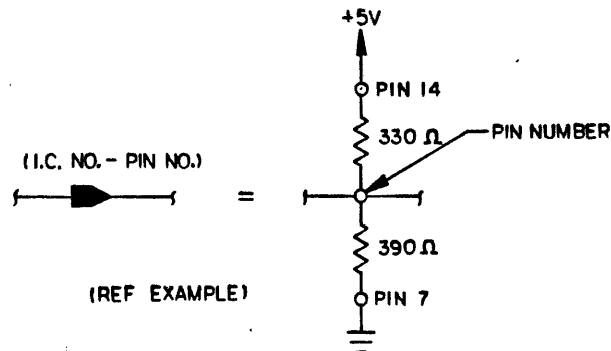
ISSUE	DESCRIPTION	DATE	APPROVED
XF	REDRAWN & REV PER PCN	5/81	JH.
XG	PCN 174	4/78	WGM
XG	PCN 367	11/82	JH.

NOTES UNLESS OTHERWISE SPECIFIED:

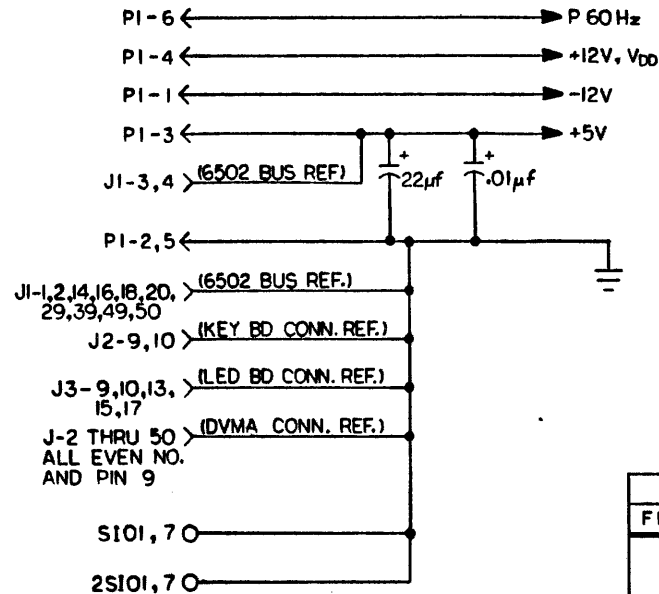
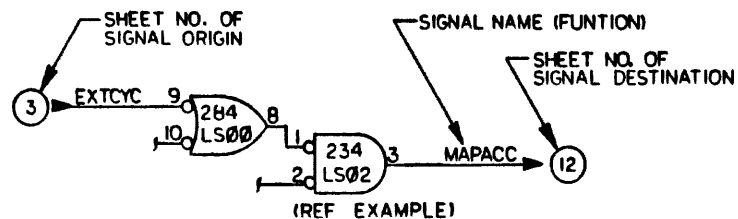
- CONNECTOR PIN DESIGNATIONS ARE PER SILK-SCREENED LED BOARD, NOT JI CONNECTOR PIN DESIGNATOR.
- ALL RESISTORS ARE IN OHMS AND ARE 1/4 W UNLESS OTHERWISE SPECIFIED.
- FOR MODULE MAP, SEE SHEETS 29, 30 AND 31. GATES ARE IN ORDER OF OUTPUT PIN NUMBERS AND ARE DEPICTED FROM LEFT TO RIGHT, TOP TO BOTTOM ORDER.



- THIS SYMBOL DENOTES A PULL-UP AND PULL-DOWN RESISTOR, FOR I.C.'S 359 AND 364, THAT ARE LOCATED ON SHEETS 9, 10, 15 AND 21:



- INPUT AND OUTPUT SIGNALS ARE DEPICTED AS FOLLOWS:



COMPONENT REF. DESIG.		
FIRST	LAST	UNUSED
R2	R174	1, 8, 15, 22, 23, 27, 28, 31, 45, 51, 57, 63, 72, 78, 80, 99, 100, 102, 103 - 130, 167 - 169
C3	C80	1, 2, 4, 5, 13, 14, 23, 25, 42 - 50, 56, 66 - 69
A00	A367	198
CR1	CR30	CR15 - 20, 23, 26 - 29
Q1	Q10	Q8, Q9
REG 4	10	REG 1, 2, 3, 5
P1	P3	

INACTIVE
REPLACED BY —
DATE — 11/19/82

-03 -08 -01			PART NUMBER	CODE IDENT	DESCRIPTION	ITEM NO.
QTY REQD			MATERIAL			
TOLERANCE UNLESS OTHERWISE SPECIFIED			FINISH			
.XX ± —			DRAWING TITLE			
.XXX ± —			SCHEMATIC			
ANGULAR —			AED - 512			
SURFACE —			SCALE			
DASH NO.			APPLICATION			
NEXT ASSY			ADVANCED ELECTRONICS DESIGN, INC. SUNNYVALE, CALIF. 94088			
USED ON			DRAWING NUMBER			
APPLICATION			120017-01			
			REV			
			XG			

1

2

3

4

A

A

B

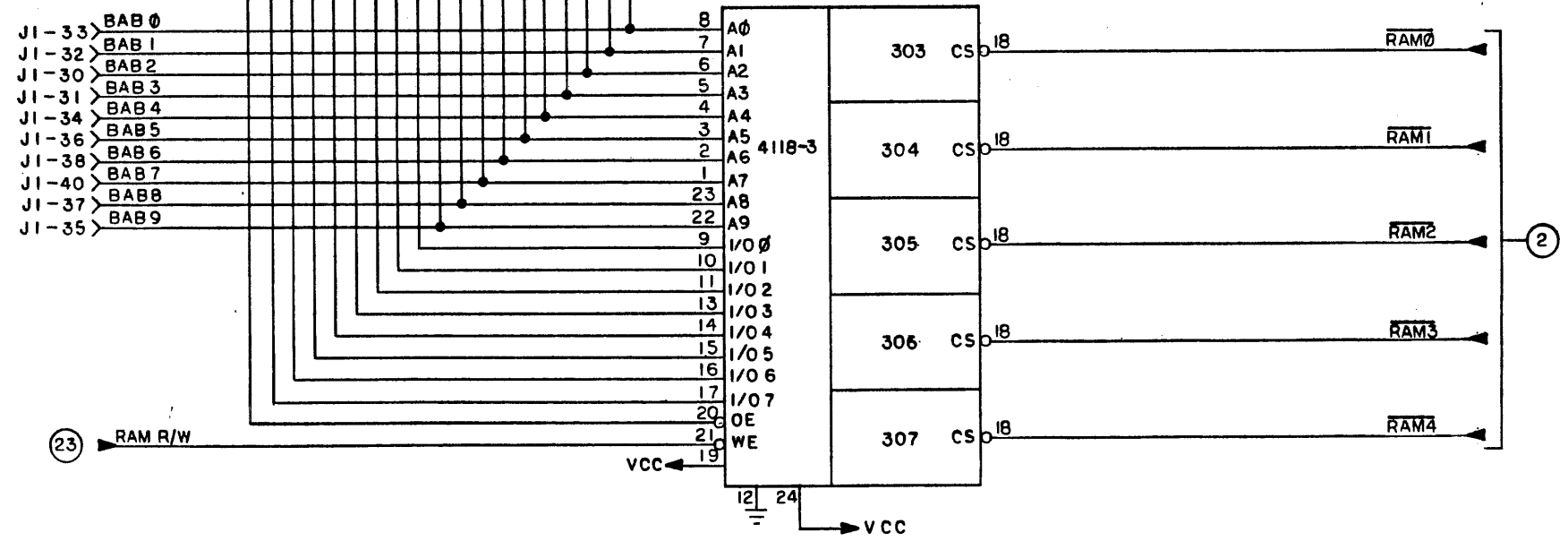
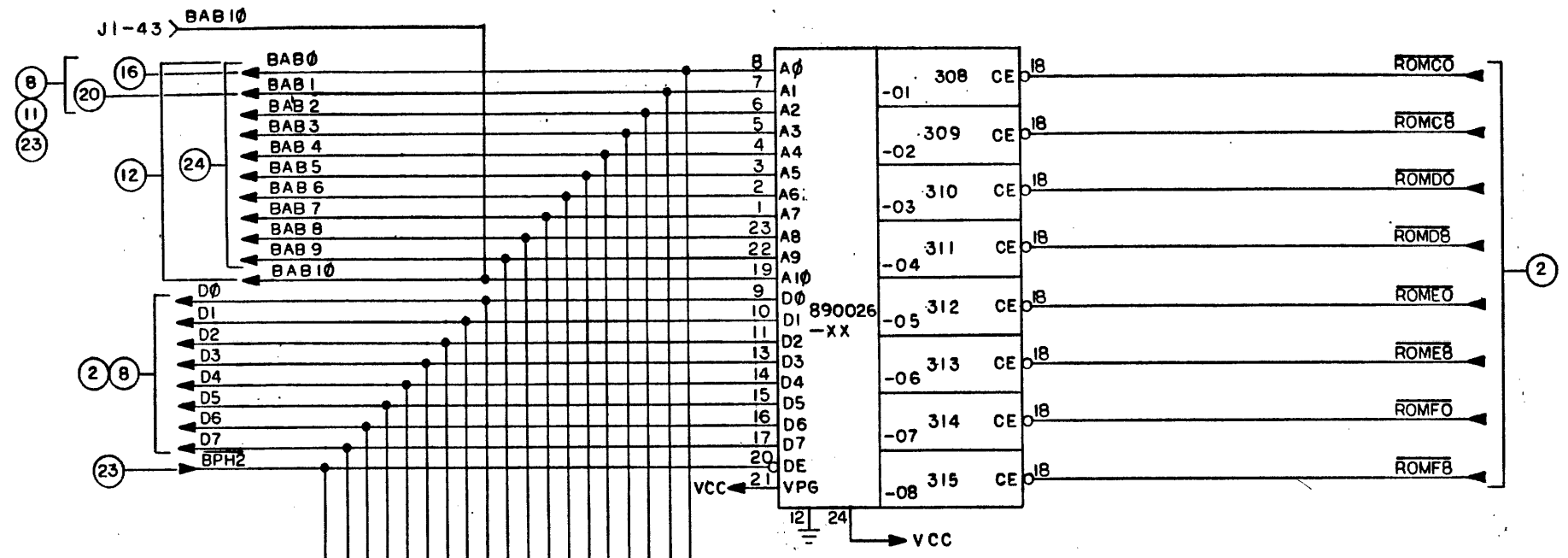
B

C

C

D

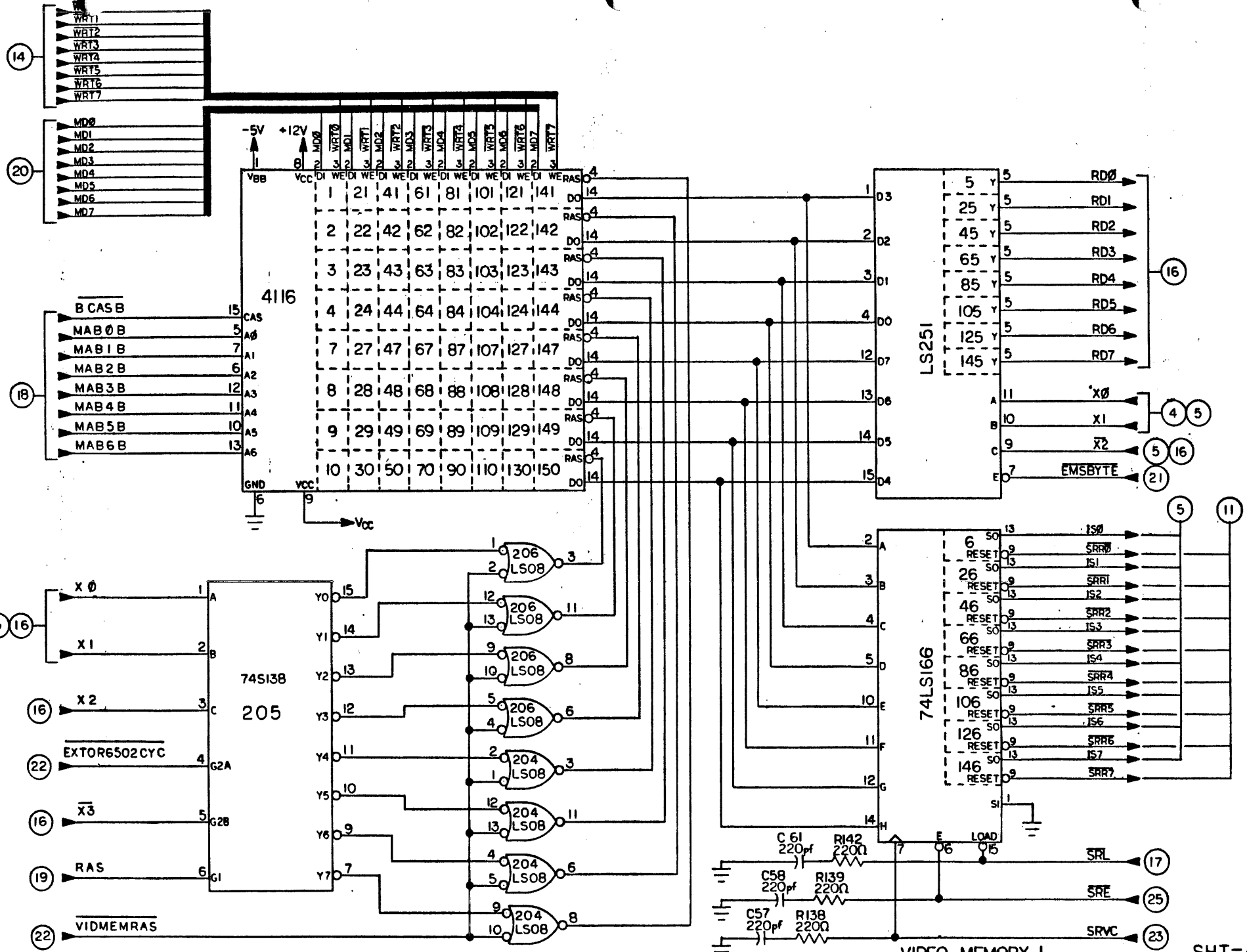
D



RAM/ROM

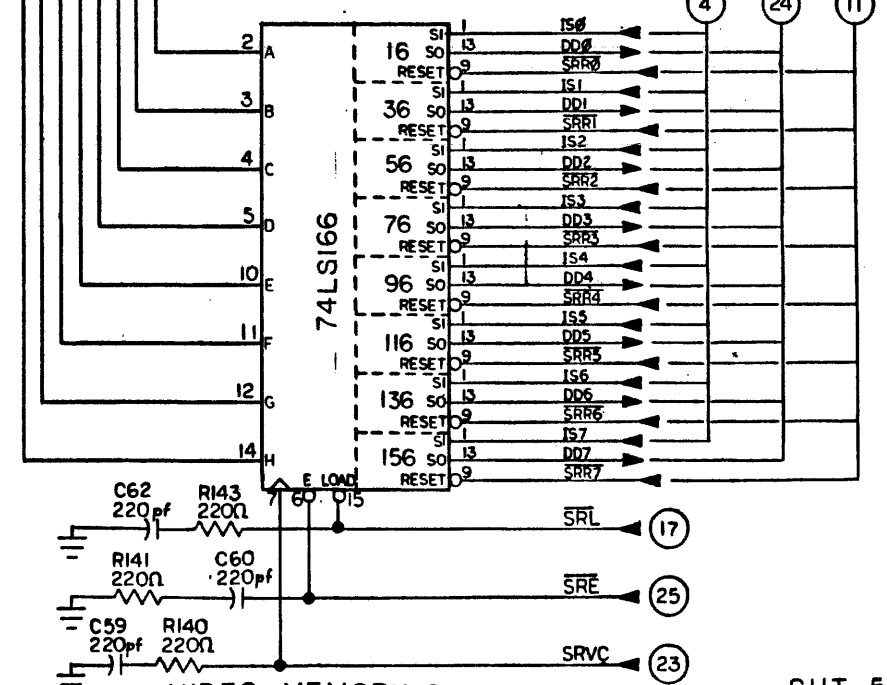
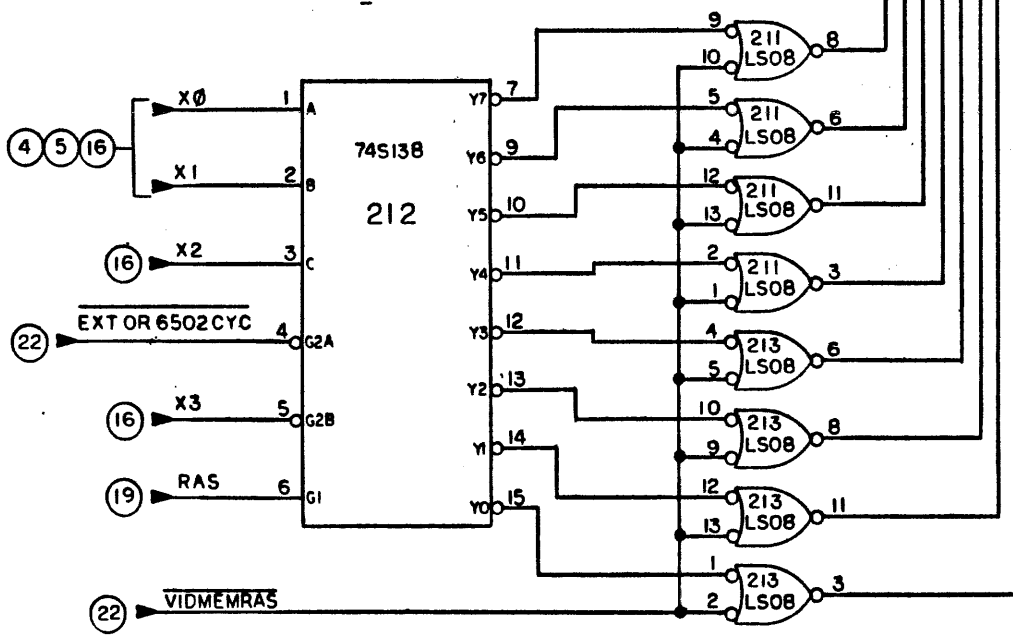
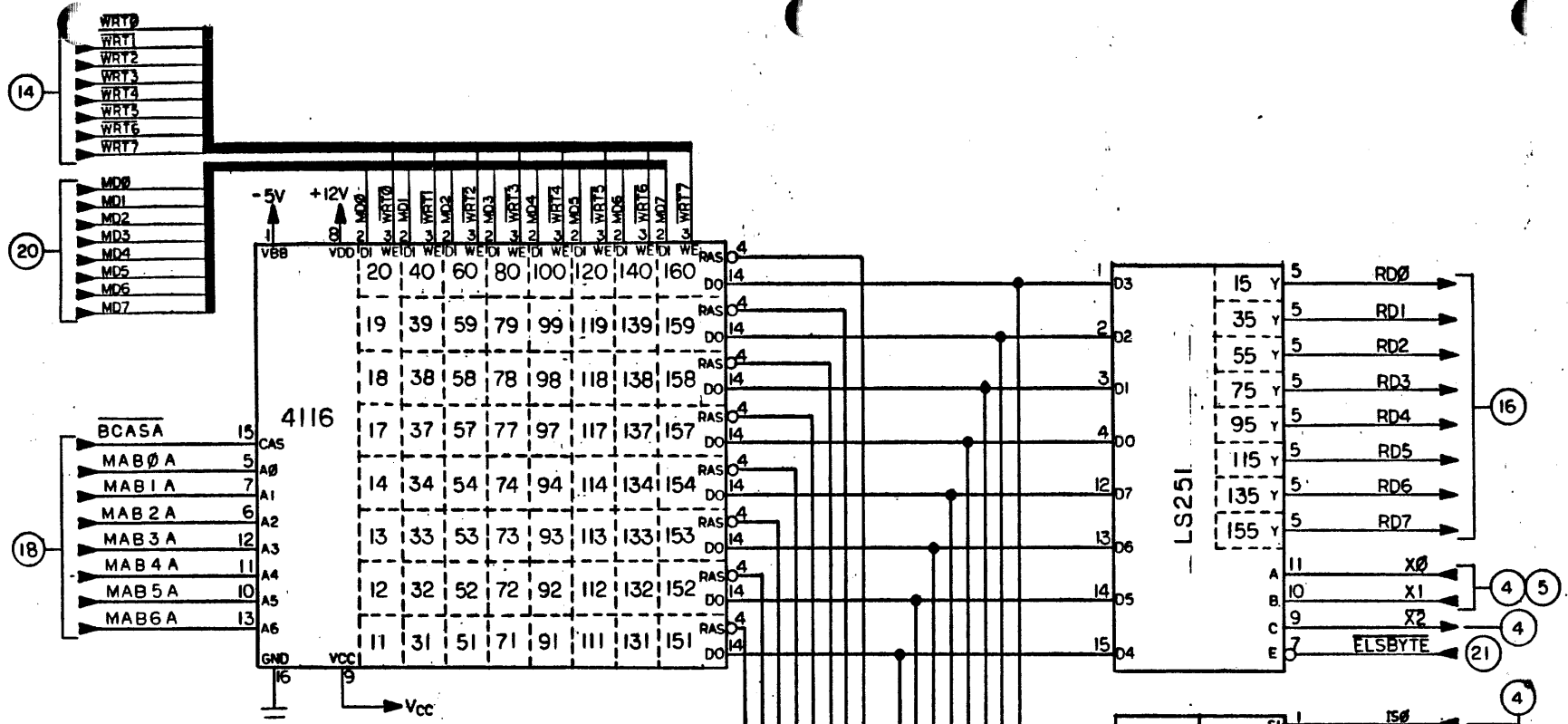
SHT-3

	ADVANCED ELECTRONICS DESIGN, INC.	C	DRAWING NUMBER	REV
	SUNNYVALE, CALIF. 94088		120017-01	XG




VIDEO MEMORY I

SHT-4



VIDEO MEMORY 2 SHT-5


ADVANCED ELECTRONICS DESIGN, INC.
 SUNNYVALE, CALIF. 94088

C DRAWING NUMBER 120017-01 REV XG

A

B

C

D

A

B

C

D

A

B

C

D

A

B

C

D

A

B

C

D

A

B

C

D

A

B

C

D

A

B

C

D

A

B

C

D

A

B

C

D

A

B

C

D

A

B

C

D

A

B

C

D

A

B

C

D

A

B

C

D

A

B

C

D

A

B

C

D

A

B

C

D

A

B

C

D

A

B

C

D

A

B

C

D

A

B

C

D

A

B

C

D

A

B

C

D

A

B

C

D

A

B

C

D

A

B

C

D

A

B

C

D

A

B

C

D

A

B

C

D

A

B

C

D

A

B

C

D

A

B

C

D

A

B

C

D

A

B

C

D

A

B

C

D

A

B

C

D

A

B

C

D

A

B

C

D

A

B

C

D

A

B

C

D

A

B

C

D

A

B

C

D

A

B

C

D

A

B

C

D

A

B

C

D

A

B

C

D

A

B

C

D

A

B

C

D

A

B

C

D

A

B

C

D

A

B

C

D

A

B

C

D

A

B

C

D

A

B

C

D

A

B

C

D

A

B

C

D

A

B

C

D

A

B

C

D

A

B

C

D

A

B

C

D

A

B

C

D

A

B

C

D

A

B

C

D

A

B

C

D

A

B

C

D

A

B

C

D

A

B

C

D

A

B

C

D

A

B

C

D

A

B

C

D

A

B

C

D

A

B

C

D

A

B

C

D

A

B

C

D

A

B

C

D

A

B

C

D

A

B

C

D

A

B

C

D

A

B

C

D

A

B

C

D

A

B

C

D

A

B

C

D

A

B

C

D

A

B

C

D

A

B

C

D

A

B

C

D

A

B

C

D

A

B

C

D

A

B

C

D

A

B

C

D

A

B

C

D

A

B

C

D

A

B

C

D

A

B

C

D

A

B

C

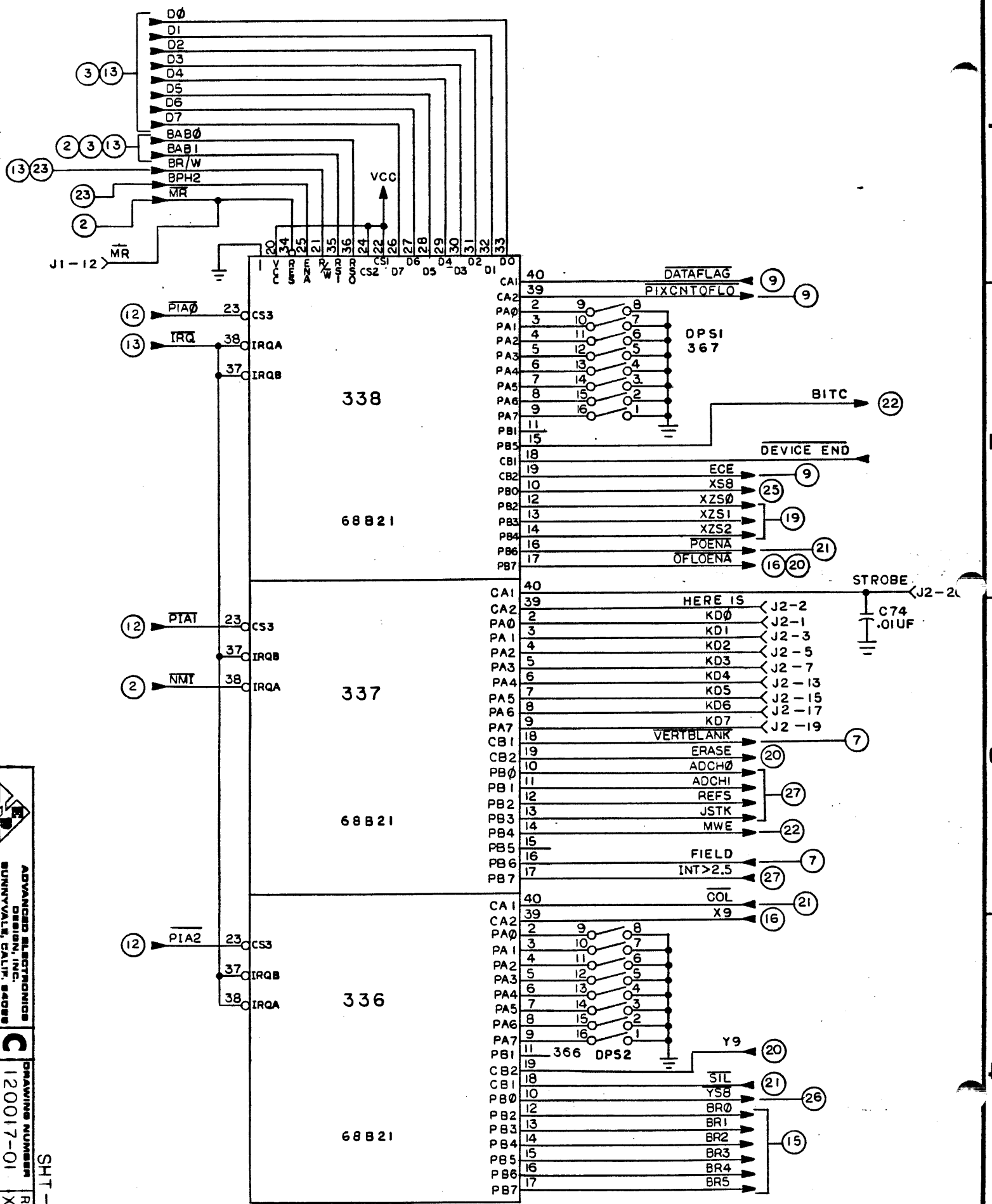
D

A

B

C

0 0 0 A





 ADVANCED ELECTRONICS DESIGN, INC.

 SUNNYVALE, CALIF. 94088


 DRAWING NUMBER

 120017-01

 REV

 XG

SHT-8

1

2

3

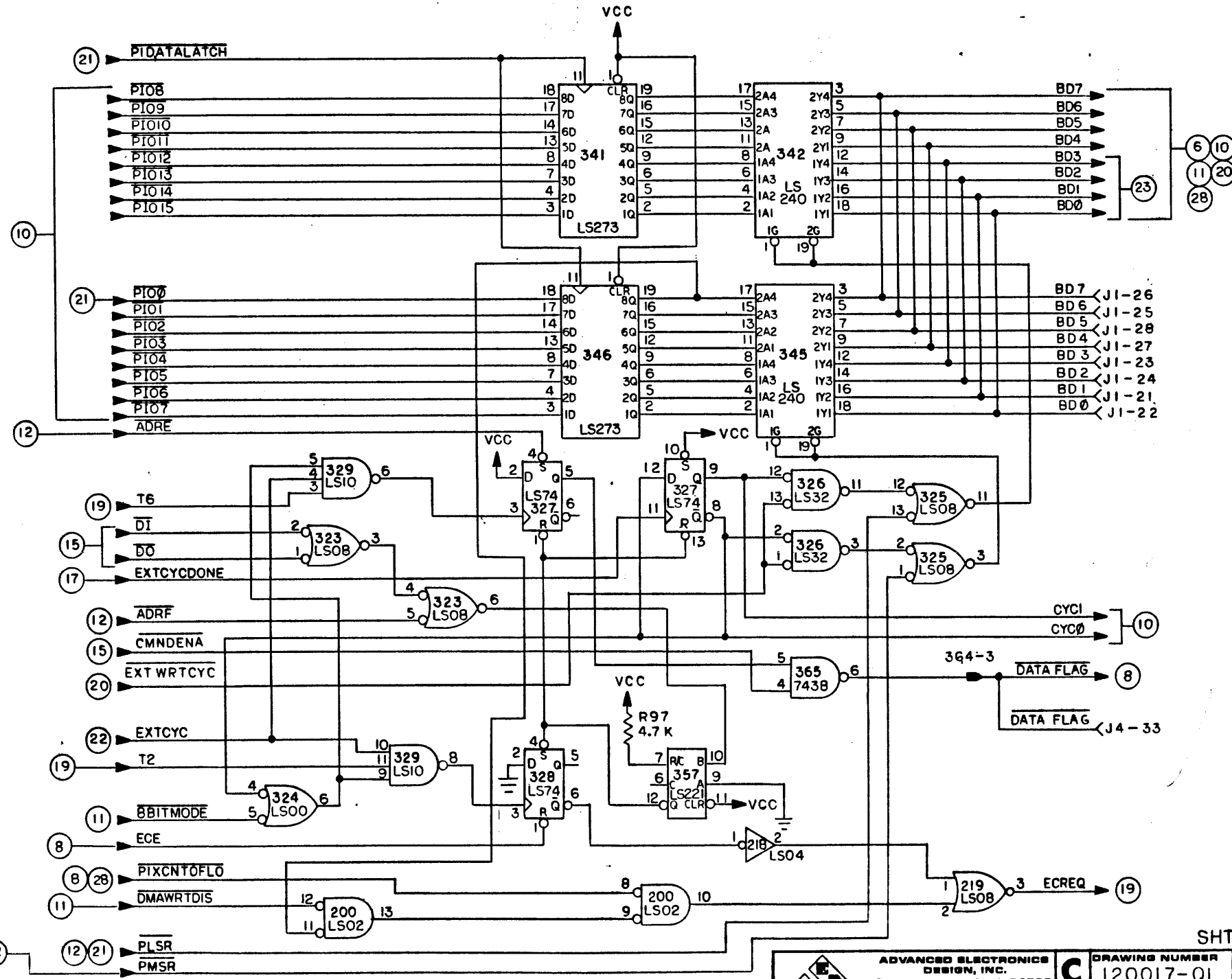
4

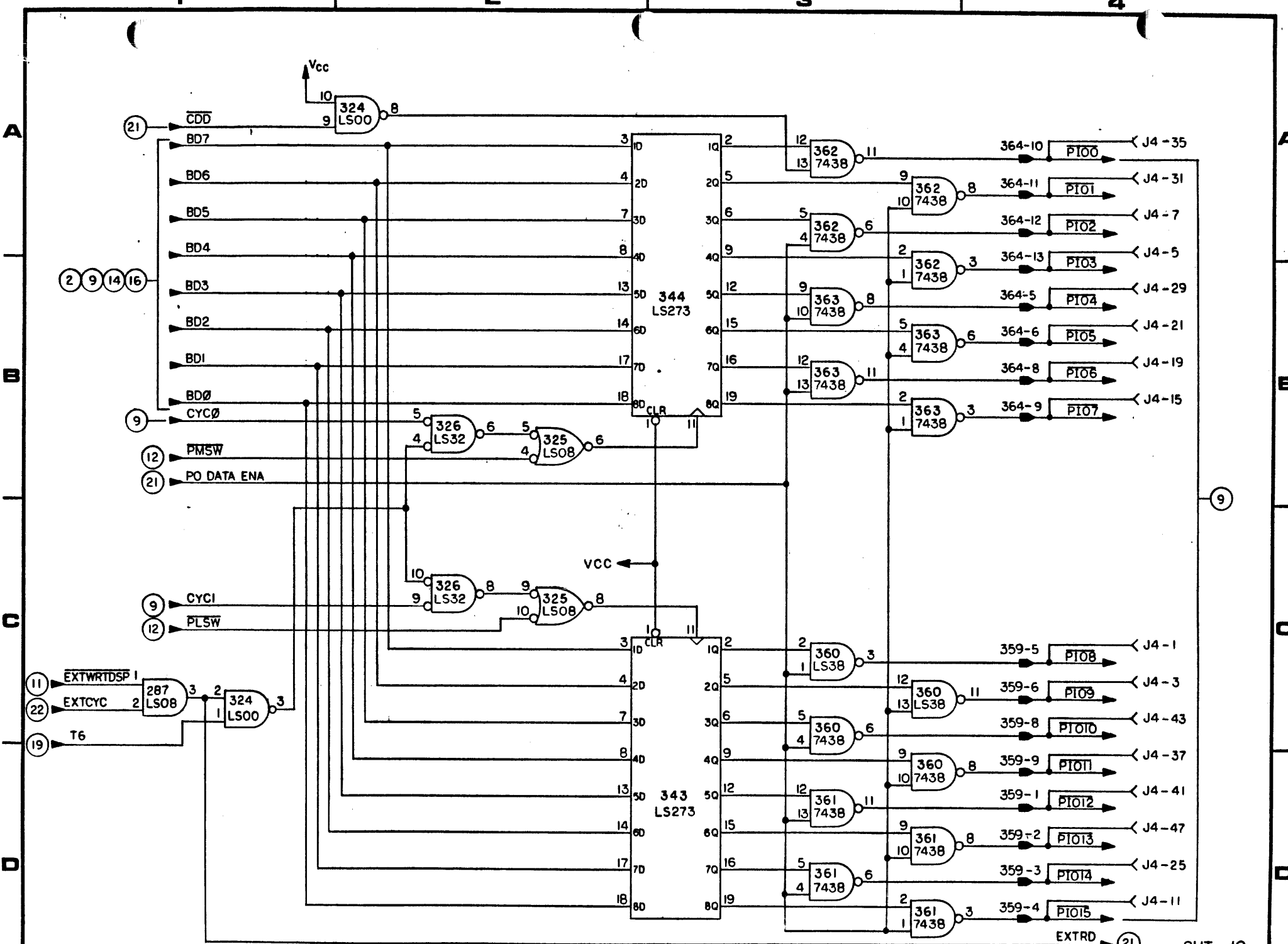
A

B

C

D





A

B

C

D

A

B

C

D



ADVANCED ELECTRONICS
DESIGN, INC.
SUNNYVALE, CALIF. 94088

C

DRAWING NUMBER
120017-01

REV
XG

EXTRD (21) SHT - 10

1

2

3

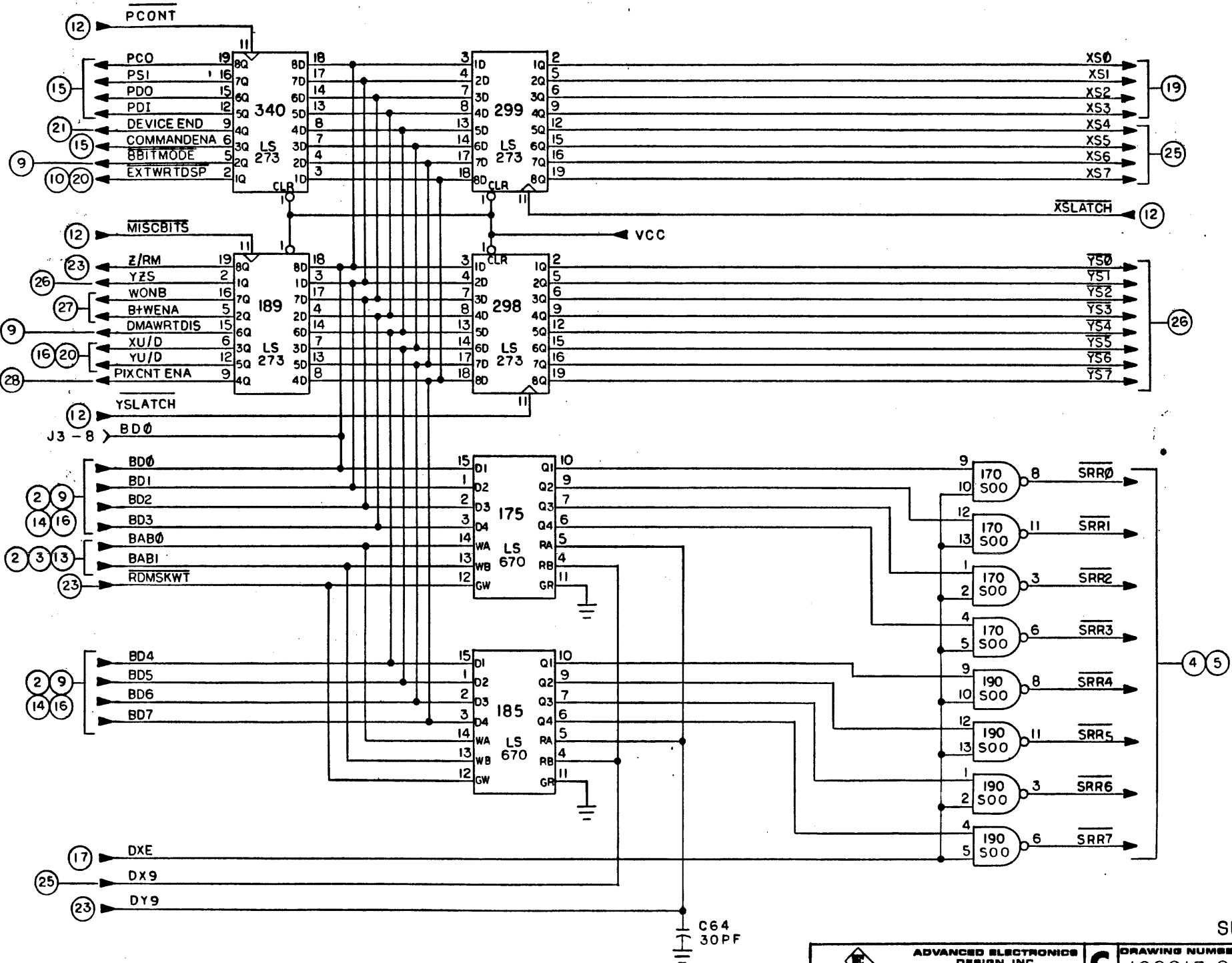
4

A

B

C

D



SHT-11

ADVANCED ELECTRONICS
DESIGN, INC.
SUNNYVALE, CALIF. 94088

C DRAWING NUMBER
120017-01

REV
XG

1

2

3

4

A

A

B

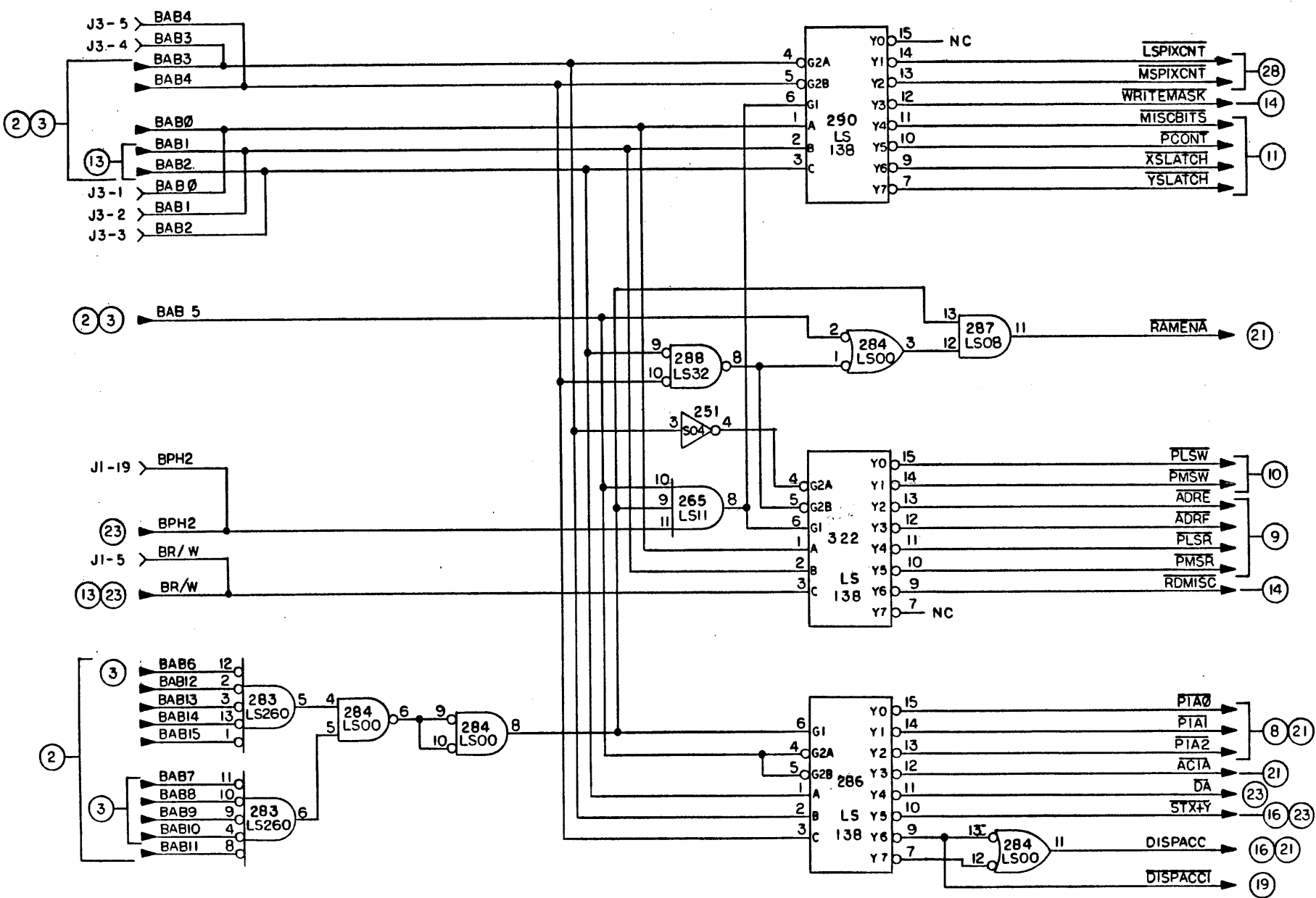
B

C

C

D

D



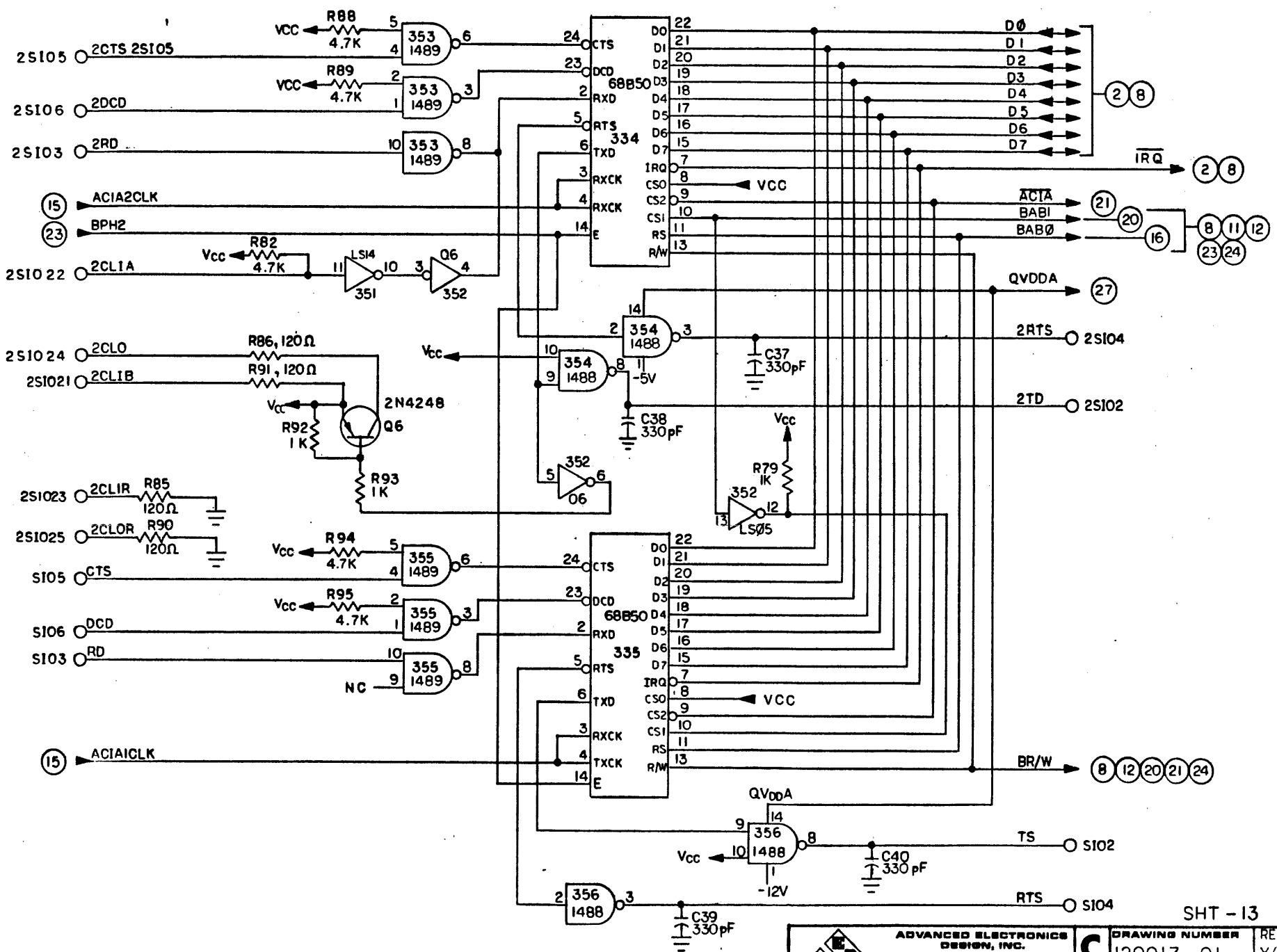
SHT-12

A

B

C

D



SHT - 13



ADVANCED ELECTRONICS
DESIGN, INC.
SUNNYVALE, CALIF. 94088

DRAWING NUMBER
120017-01

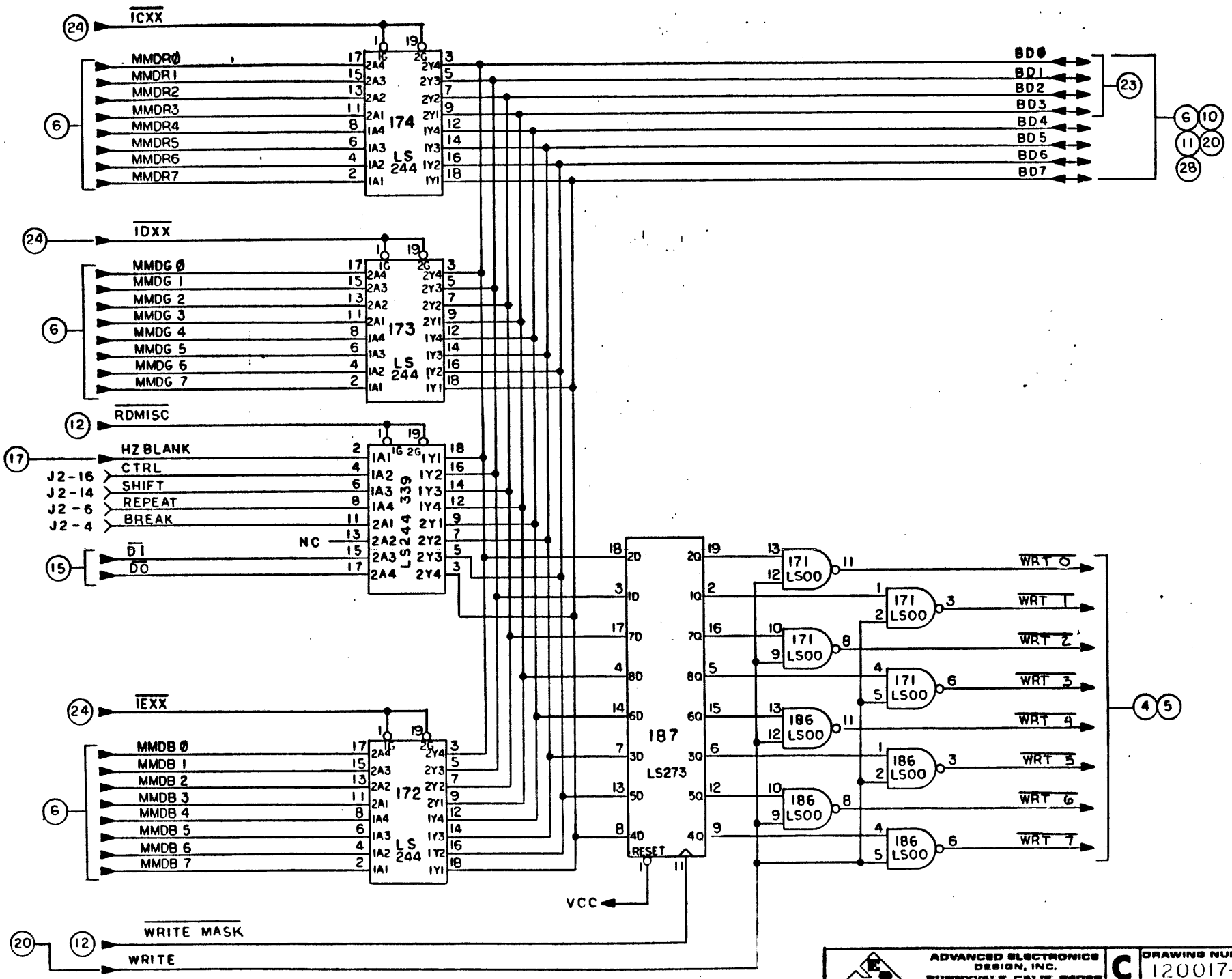
REV
XG

1

2

3

4



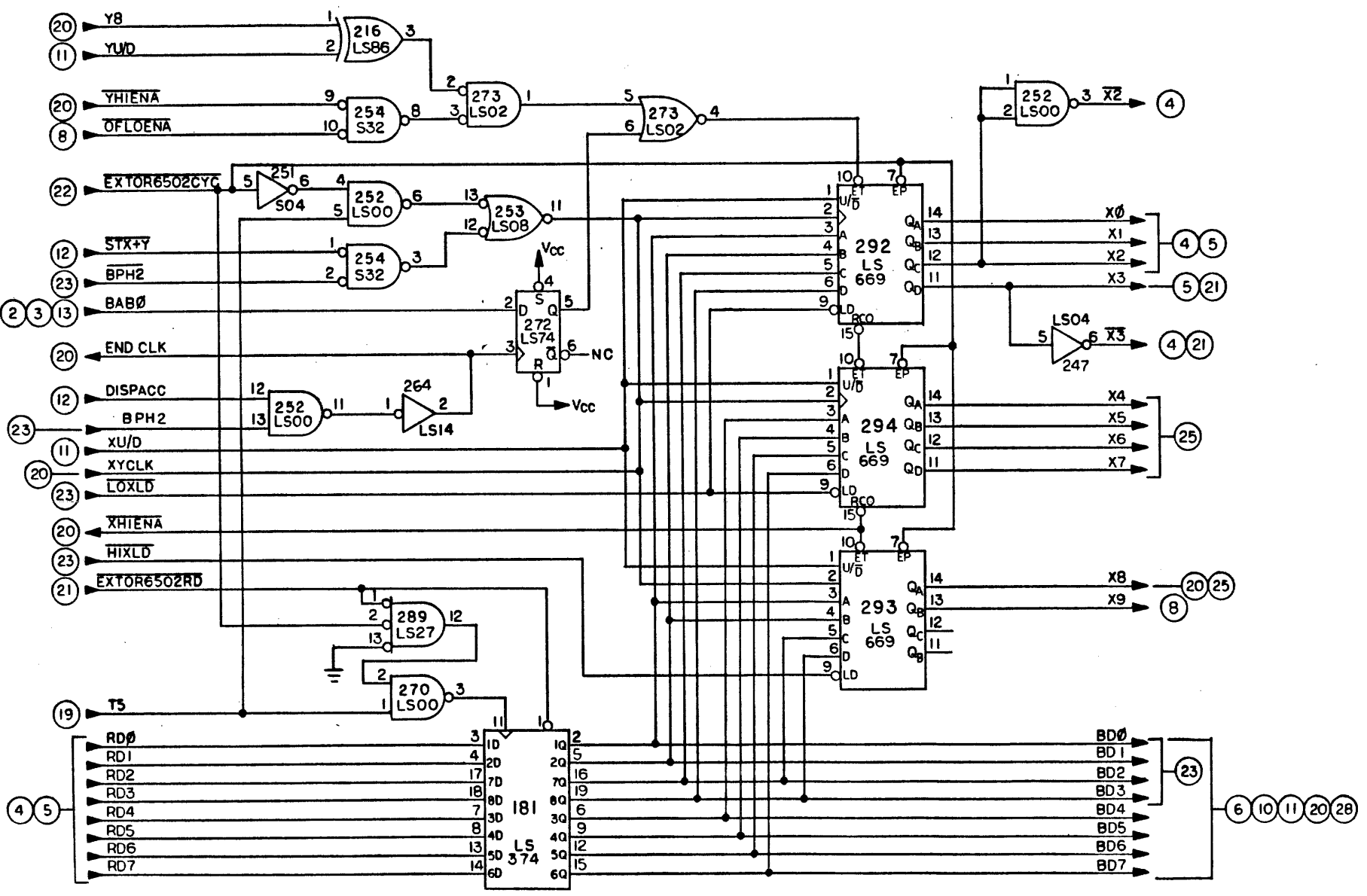
A

B

C

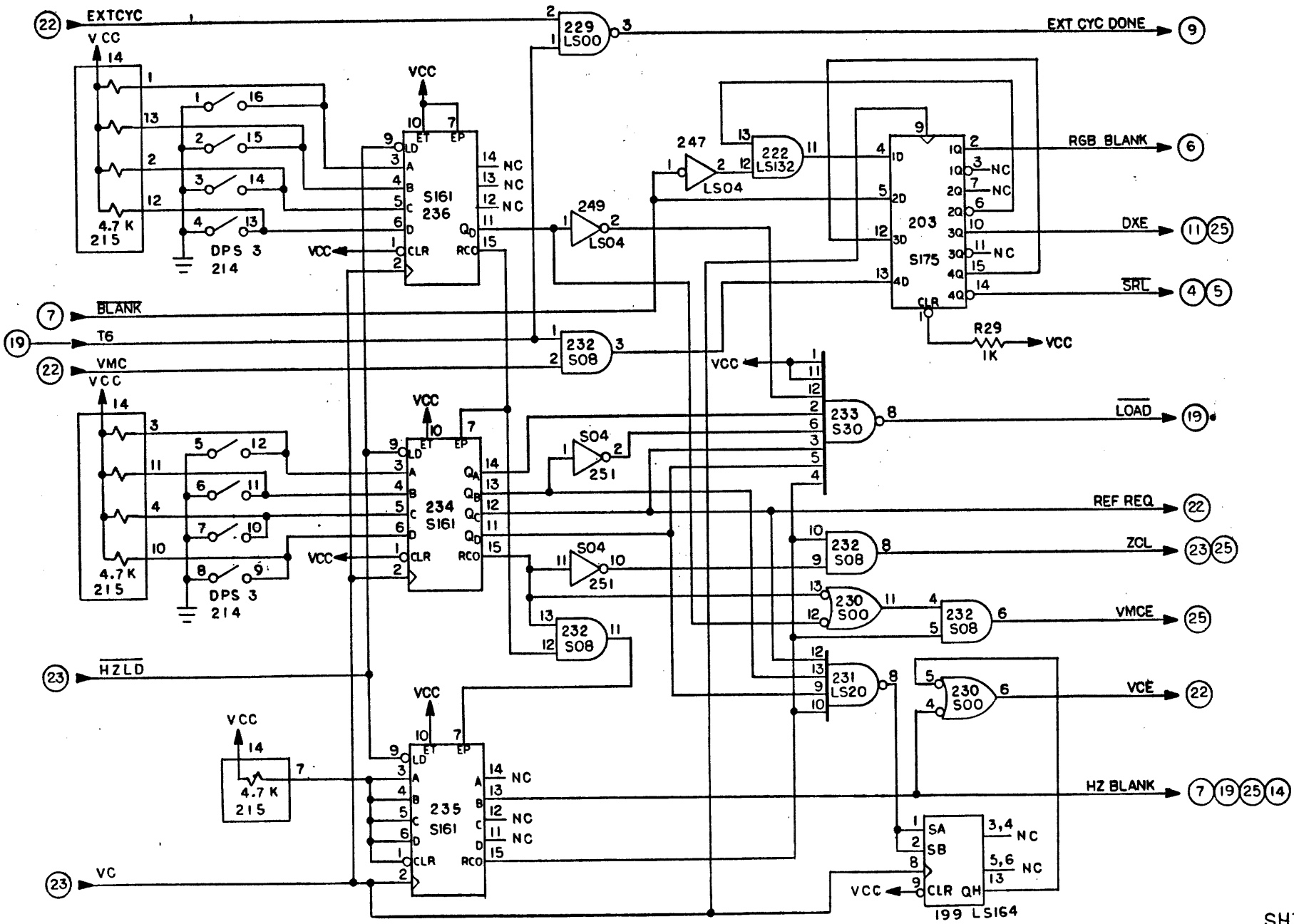
D

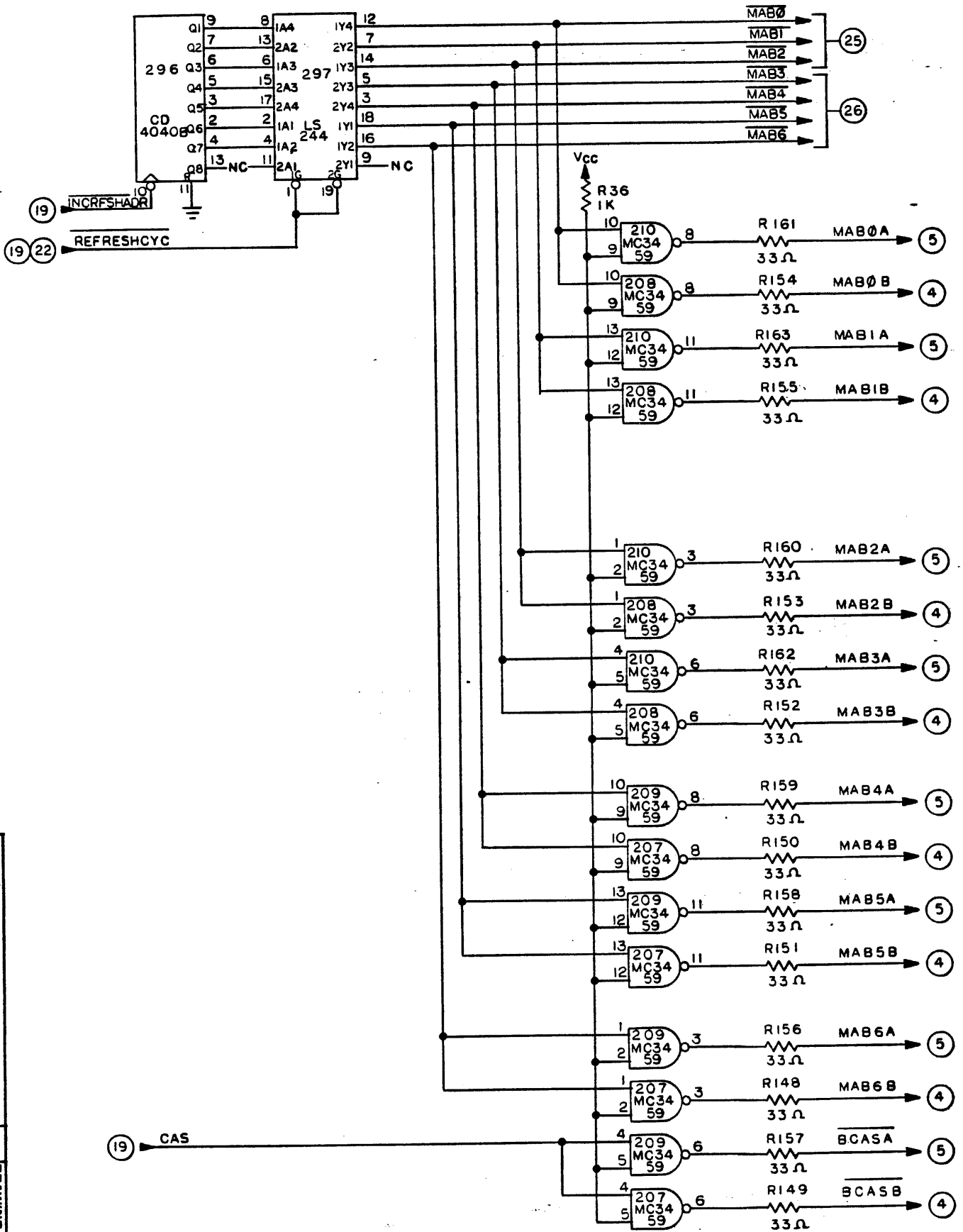
SHT-14



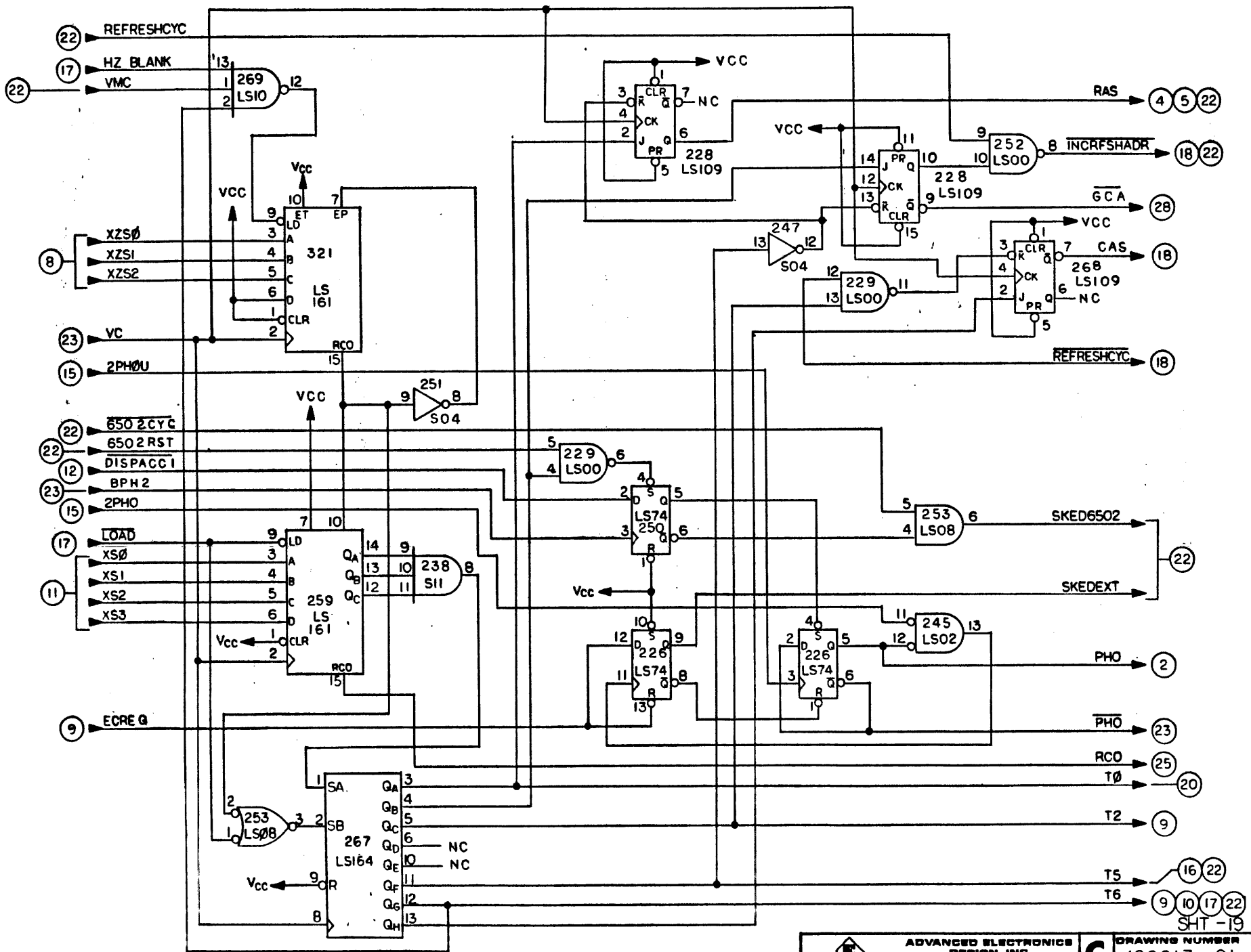
SHT-16

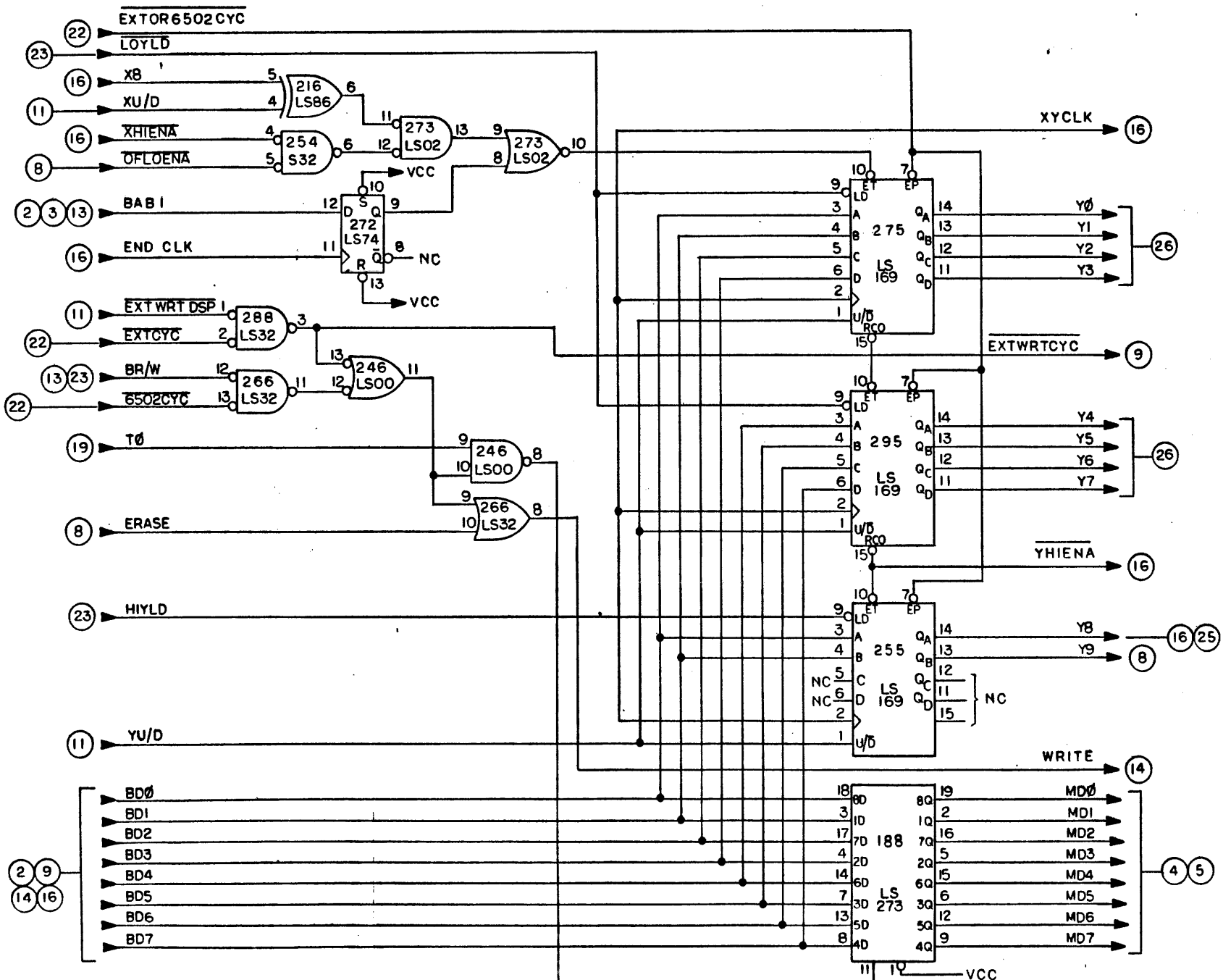
	ADVANCED ELECTRONICS DESIGN, INC. SUNNYVALE, CALIF. 94088	C DRAWING NUMBER 120017-01	REV X-6
	SHEET 10 OF 21		





ADVANCED ELECTRONICS
 DESIGN, INC.
 SUNNYVALE, CALIF. 94088
 DRAWING NUMBER
 120017-01
 REV
 XG
 SHEET 18 OF 31
 SHT - 18





SHT-20

1 2 3 4

A

A

B

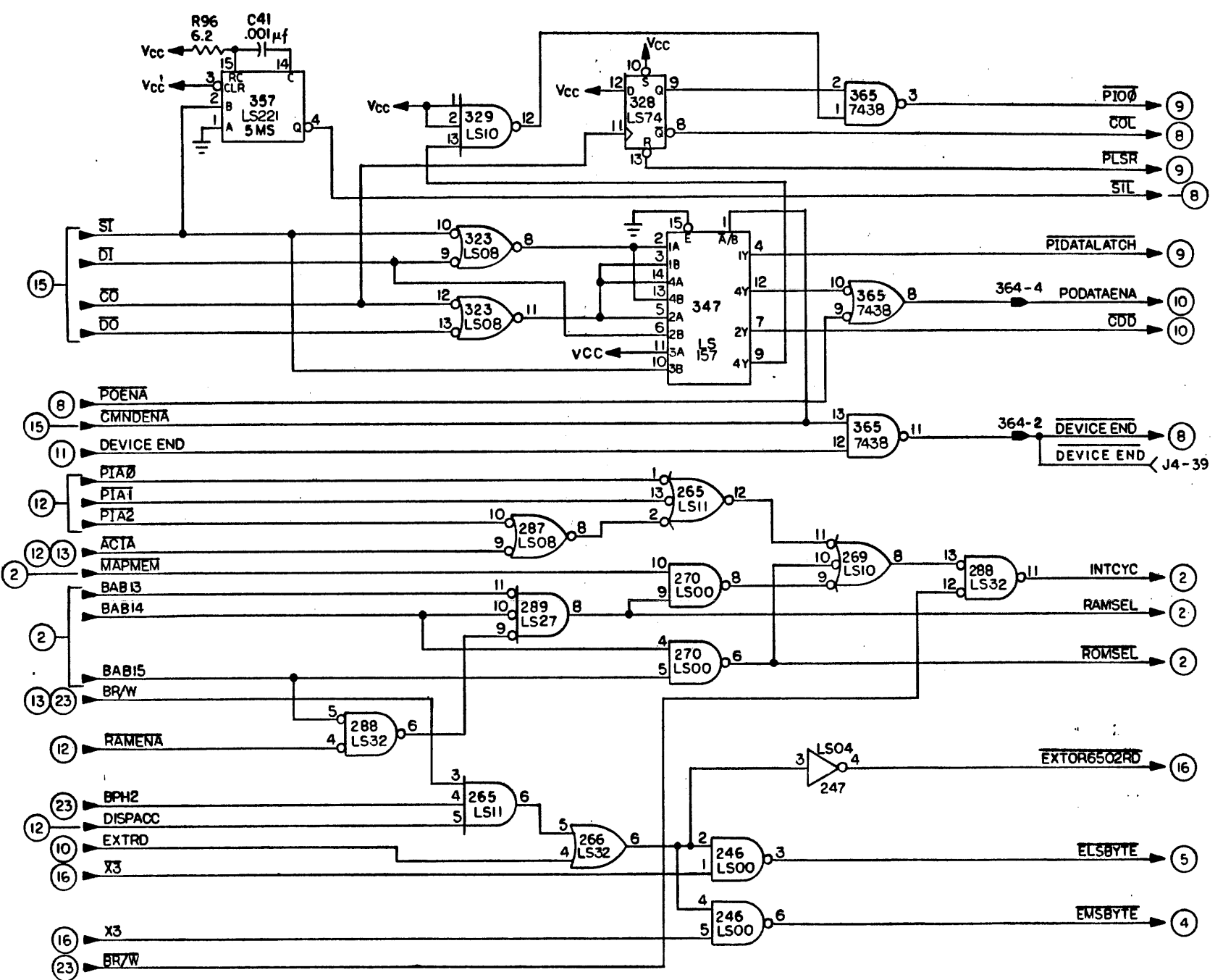
B

C

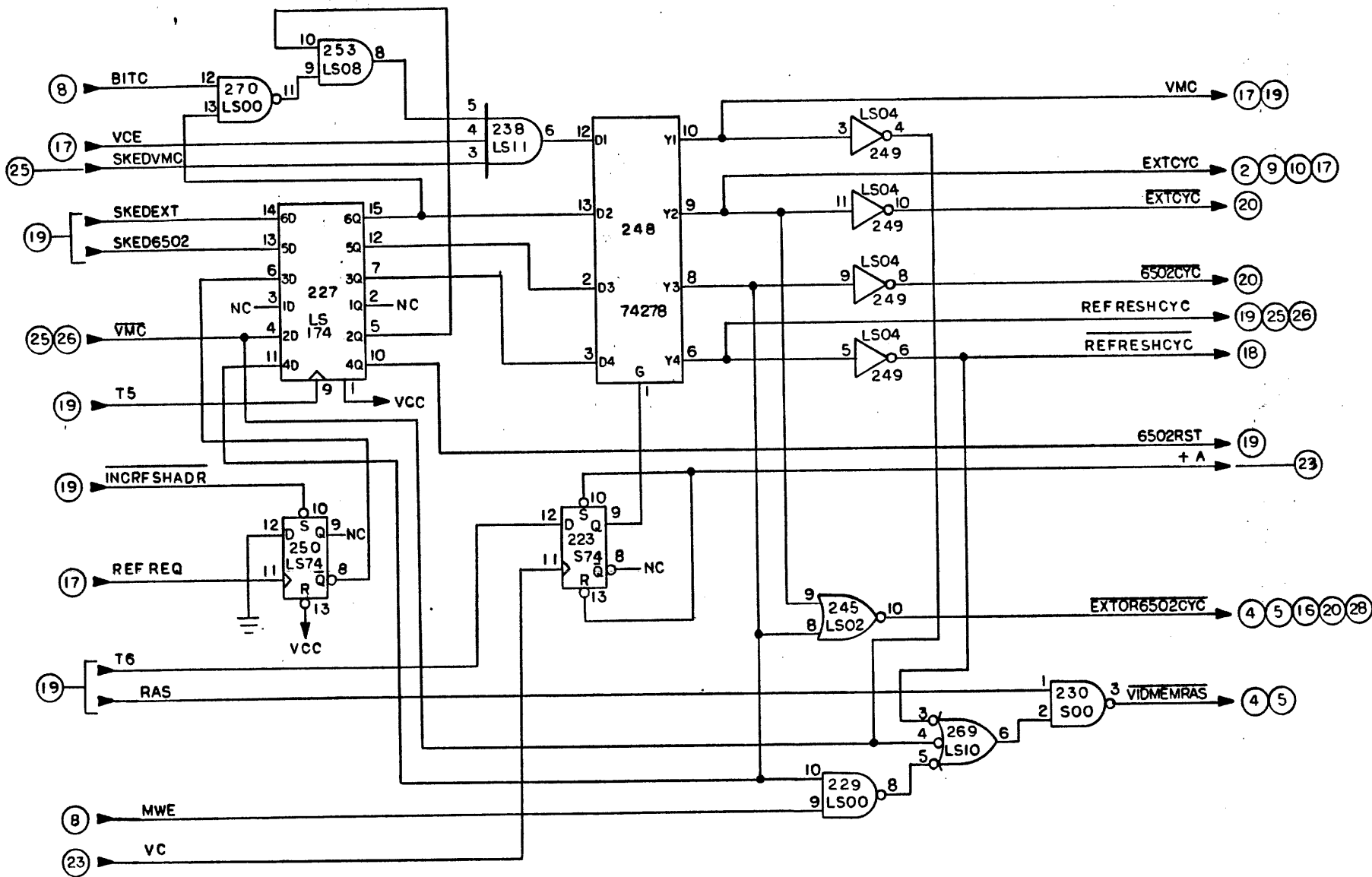
C

D

D

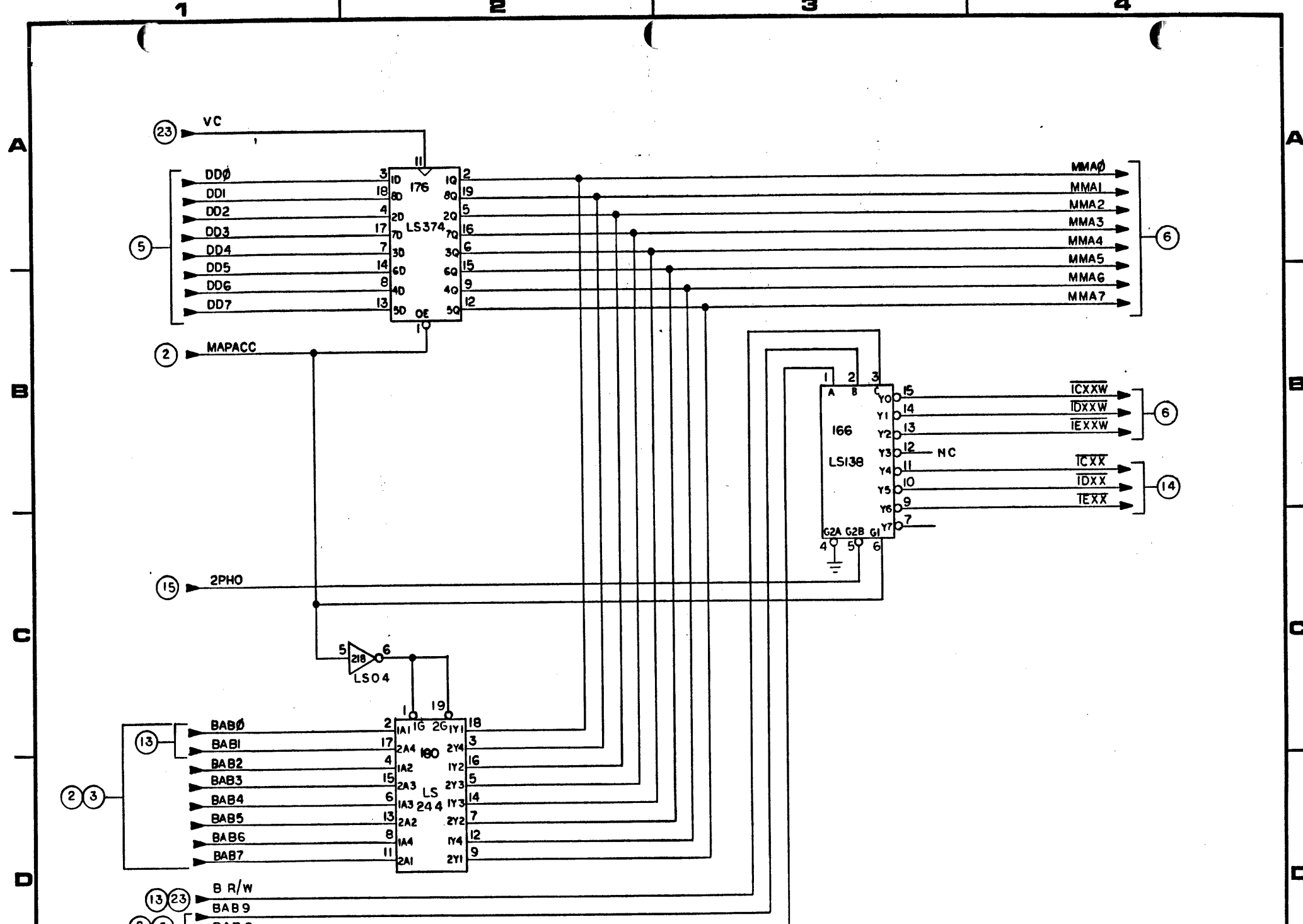


SHT - 21



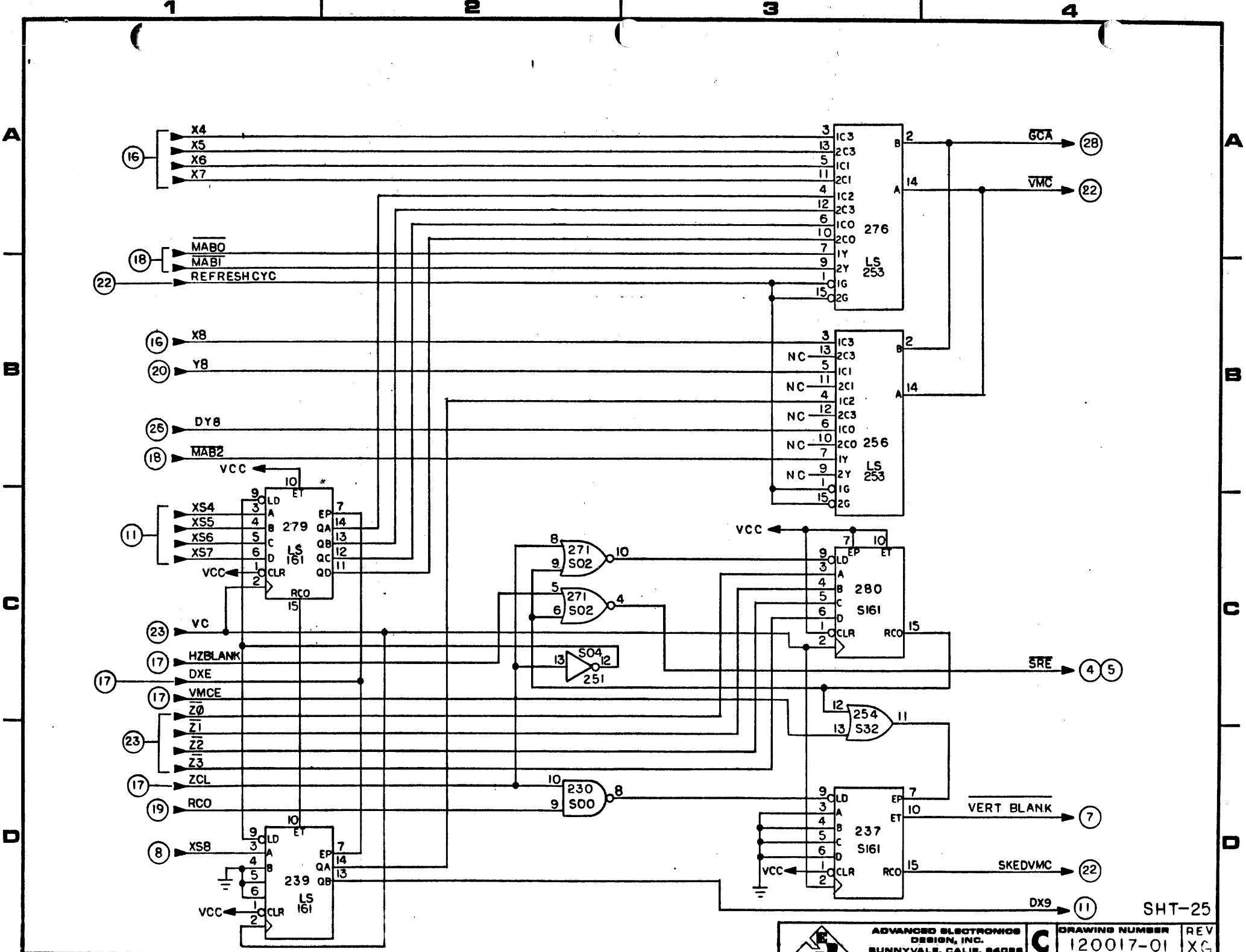
SHT-22

	ADVANCED ELECTRONICS DESIGN, INC. SUNNYVALE, CALIF. 94088	C	DRAWING NUMBER 120017-01	REV XG
	SHEET 22 OF 31			



MAPPING MEMORY ADDRESS

SHT 24



1

2

3

4

A

B

C

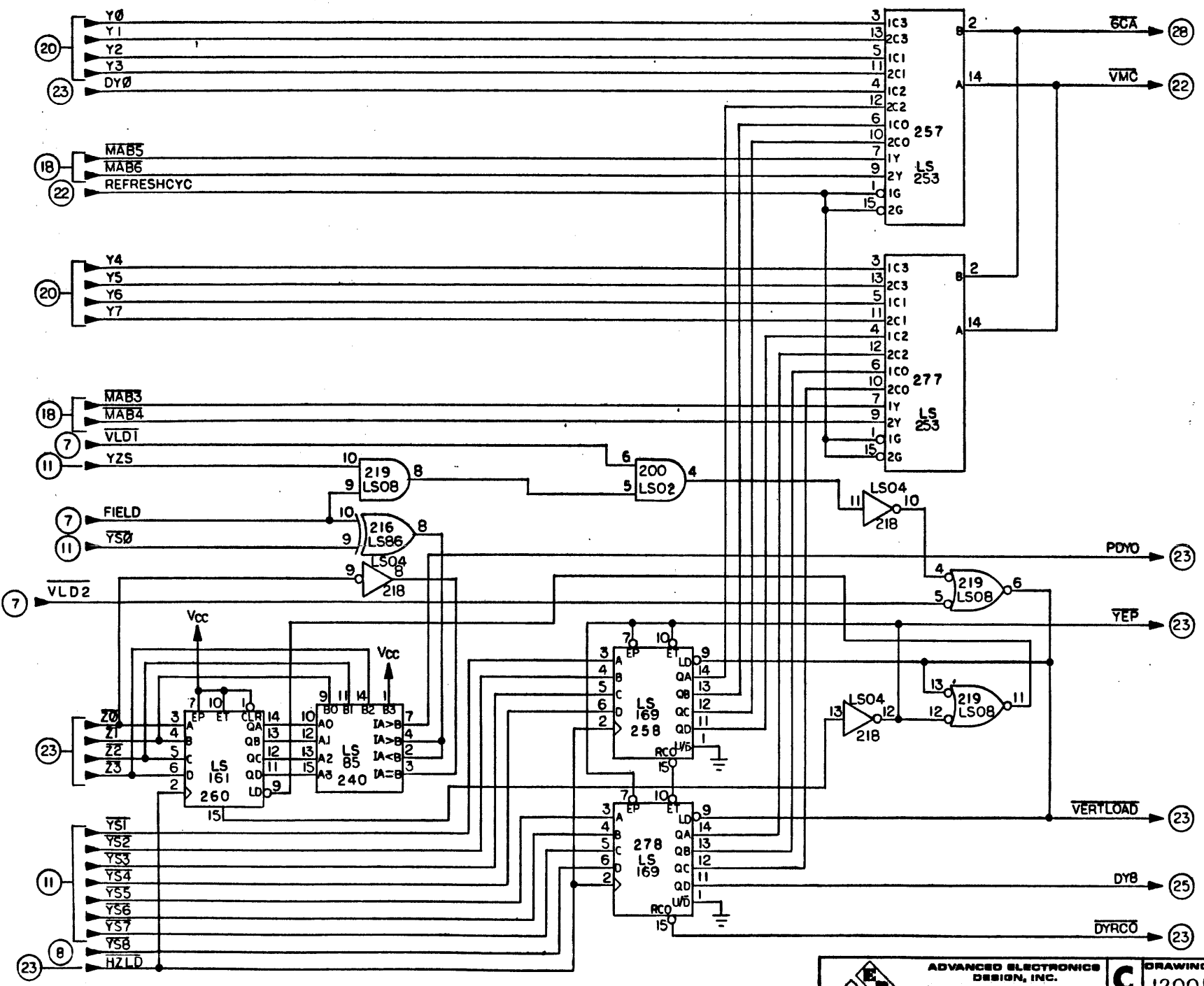
D

A

B

C

D



ADVANCED ELECTRONICS
DESIGN, INC.
SUNNYVALE, CALIF. 94088

C DRAWING NUMBER
120017-01

REV
XG

SHT - 26

1

2

3

4

A

A

B

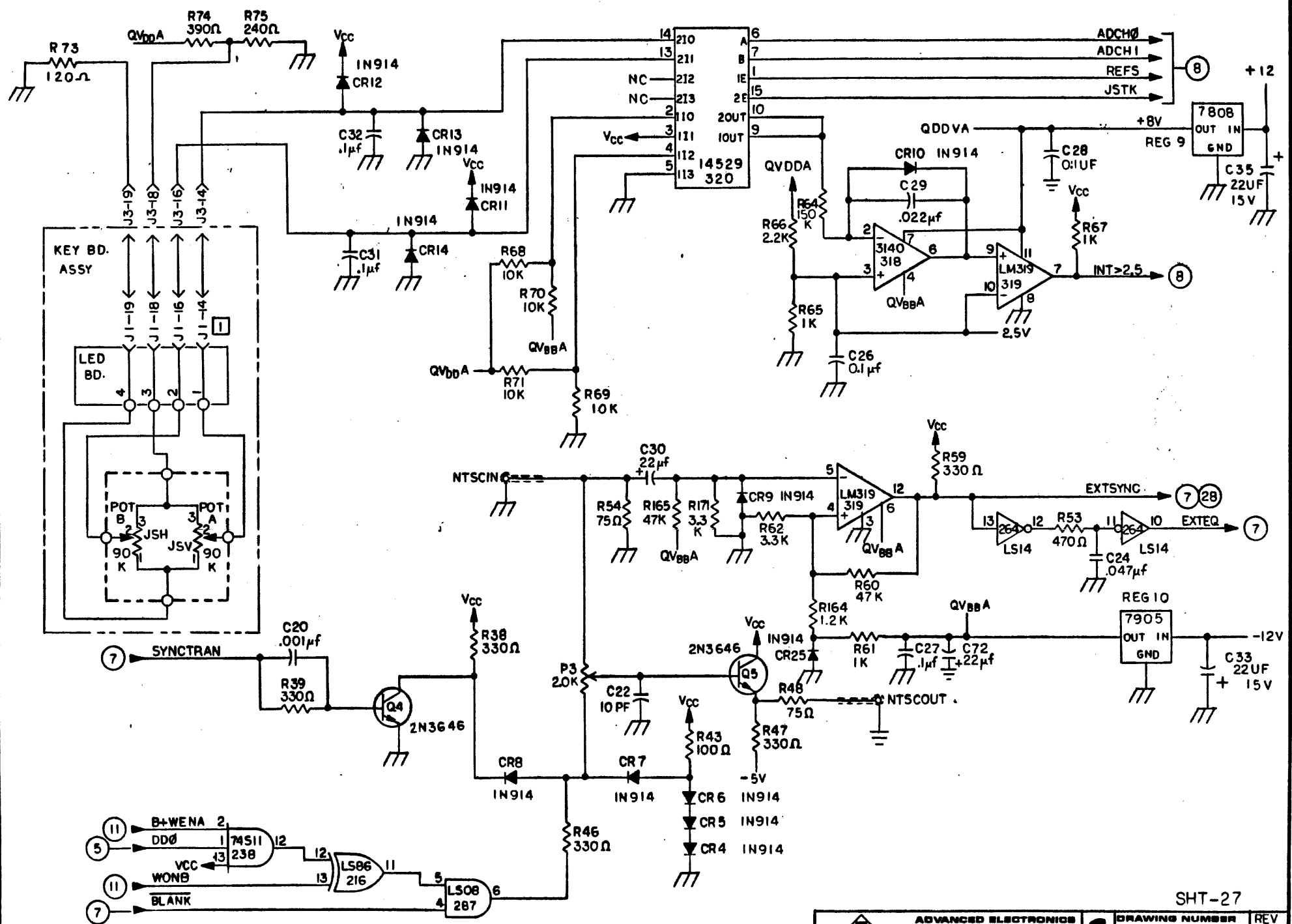
B

C

C

D

D



SHT-27

1

2

3

4

A

A

B

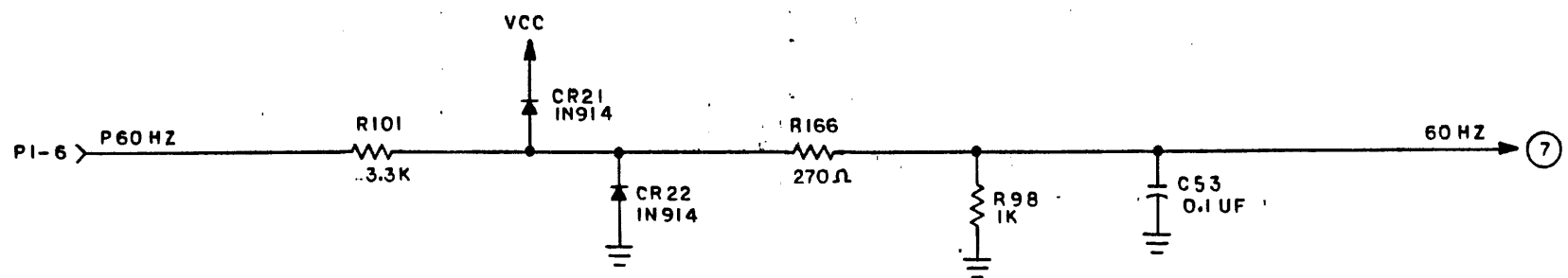
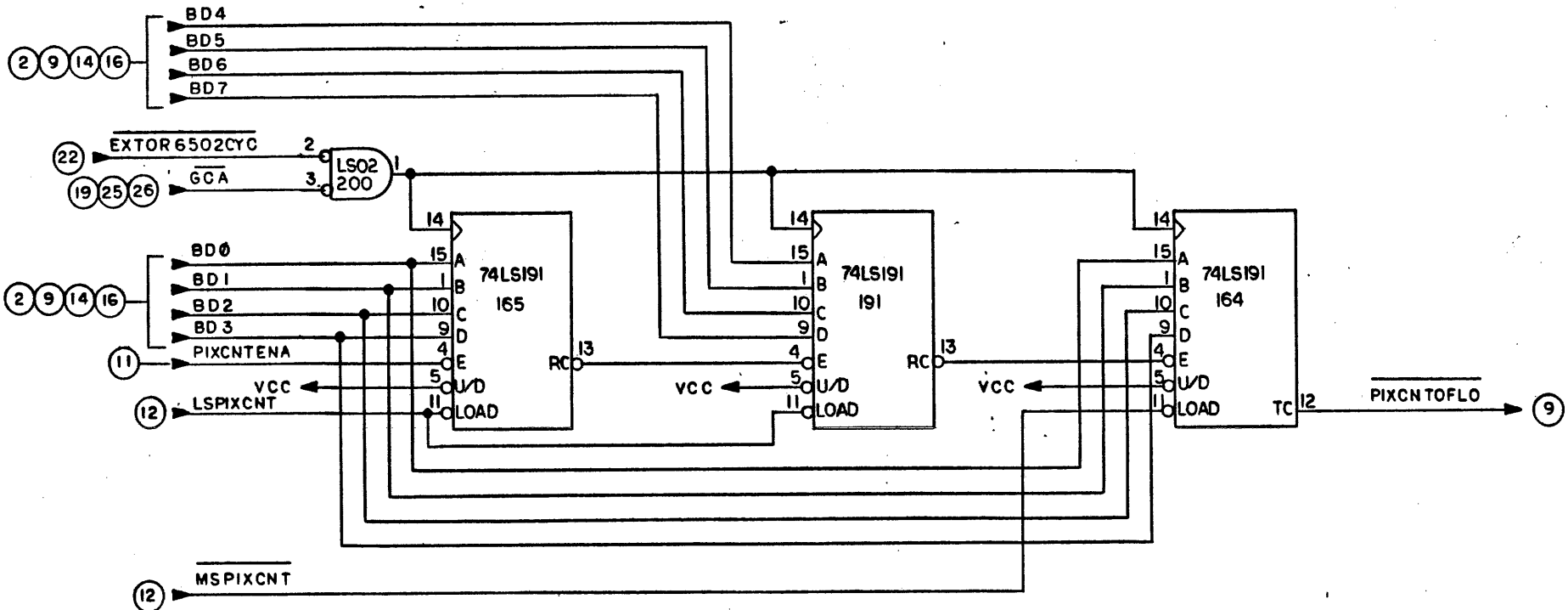
B

C

C

D

D

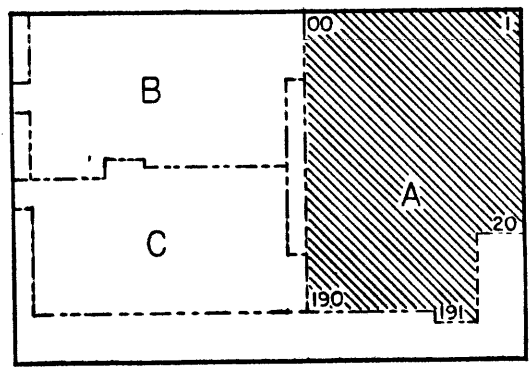


SHT-28


	ADVANCED ELECTRONICS DESIGN, INC. SUNNYVALE, CALIF. 94088	C	DRAWING NUMBER 120017-01	REV XG

00	141	4	121	4	101	4	81	4	61	4	41	4	21	1	4	
LS221	142	4	122	4	102	4	82	4	62	4	42	4	22	4	2	4
7	143	4	123	4	103	4	83	4	63	4	43	4	23	4	3	4
	144	4	124	4	104	4	84	4	64	4	44	4	24	4	4	4
	145	4	125	4	105	4	85	4	65	4	45	4	25	4	5	4
	146	4	126	4	106	4	86	4	66	4	46	4	26	4	6	4
	147	4	127	4	107	4	87	4	67	4	47	4	27	4	7	4
	148	4	128	4	108	4	88	4	68	4	48	4	28	4	8	4
	149	4	129	4	109	4	89	4	69	4	49	4	29	4	9	4
	150	4	130	4	110	4	90	4	70	4	50	4	30	4	10	4
	151	5	131	5	111	5	91	5	71	5	51	5	31	5	11	5
	152	5	132	5	112	5	92	5	72	5	52	5	32	5	12	5
	153	5	133	5	113	5	93	5	73	5	53	5	33	5	13	5
	154	5	134	5	114	5	94	5	74	5	54	5	34	5	14	5
	155	5	135	5	115	5	95	5	75	5	55	5	35	5	15	5
	156	5	136	5	116	5	96	5	76	5	56	5	36	5	16	5
	157	5	137	5	117	5	97	5	77	5	57	5	37	5	17	5
	158	5	138	5	118	5	98	5	78	5	58	5	38	5	18	5
	159	5	139	5	119	5	99	5	79	5	59	5	39	5	19	5
	160	5	140	5	120	5	100	5	80	5	60	5	40	5	20	5
	186		181		176		171		166							
	LS00		LS374		LS374		LS00		LS138							
	14	14			16		24		14	14			24			
	14	14							14	14						
	187		182		177		172		167		161					
	LS273		93422		93422		LS244		LS273		DAC-08B					
	14		6		6		14		6		6					
	188		183		178		173		168		162					
	LS273		93422		93422		LS244		LS273		DAC-08B					
	20		6		6		14		6		6					
	189		184		179		174		169		163					
	LS273		93422		93422		LS244		LS273		DAC-08B					
	11		6		6		14		6		6					
	190		185		180		175		170		164		165		191	
	74S00		LS670		LS244		LS670		74S00		LS191		LS191		LS191	
	11	11							11	11			28		28	
	11	11			11		24		11		11		11		11	

4116-3
74LS251
74LS166
4116-3
74LS251
74LS166
4116-3



SHT - 29

	ADVANCED ELECTRONICS DESIGN, INC. BUNNYVALE, CALIF. 94026	C	DRAWING NUMBER 120017 - 01	REV X3
	SHEET 29 OF 31			

