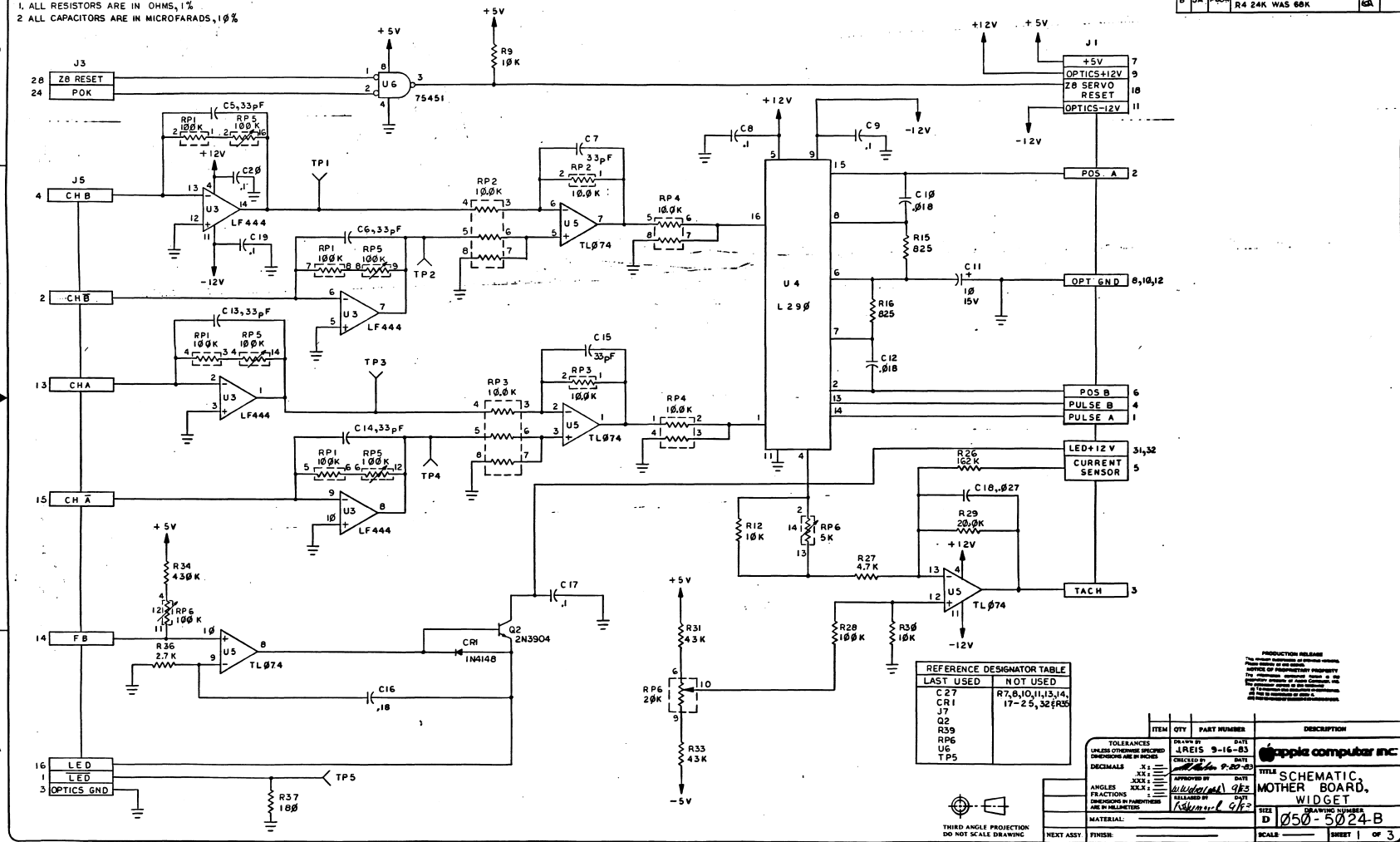


NOTE: UNLESS OTHERWISE SPECIFIED

- 1. ALL RESISTORS ARE IN OHMS, 1%
- 2. ALL CAPACITORS ARE IN MICROFARADS, 10%

REV	DATE	BY	REVISION	APP'D	INT.
A	PSB		INITIAL RELEASE (SKW/SH/8)		
B	SA	PCDA	SHEET 2 R4 24K WAS 68K		



REFERENCE DESIGNATOR TABLE	
LAST USED	NOT USED
C 27	R7, 8, 10, 11, 13, 14,
CR 1	17-25, 32 (R35)
J 7	
Q 2	
R 39	
RP 6	
U 6	
TP 5	

PRODUCTION RELEASE
This drawing is the property of Apple Computer, Inc. and is to be used only for the production of the hardware described herein. All other uses are prohibited.

ITEM	QTY	PART NUMBER	DESCRIPTION
TOLERANCES UNLESS OTHERWISE SPECIFIED DIMENSIONS ARE IN INCHES			
DECIMALS	XX	DATE	Apple Computer Inc.
ANGLES	XX.X	DATE	TITLE SCHEMATIC, MOTHER BOARD, WIDGET
FRACTIONS	XX/XX	DATE	DRAWING NUMBER 050-5024-B
DIMENSIONS IN PARENTHESES ARE IN MILLIMETERS		DATE	SIZE ID 050-5024-B
MATERIAL:		DATE	SCALE SHEET 1 OF 3
NEXT ASSY:			
FINISH:			

THIRD ANGLE PROJECTION
DO NOT SCALE DRAWING