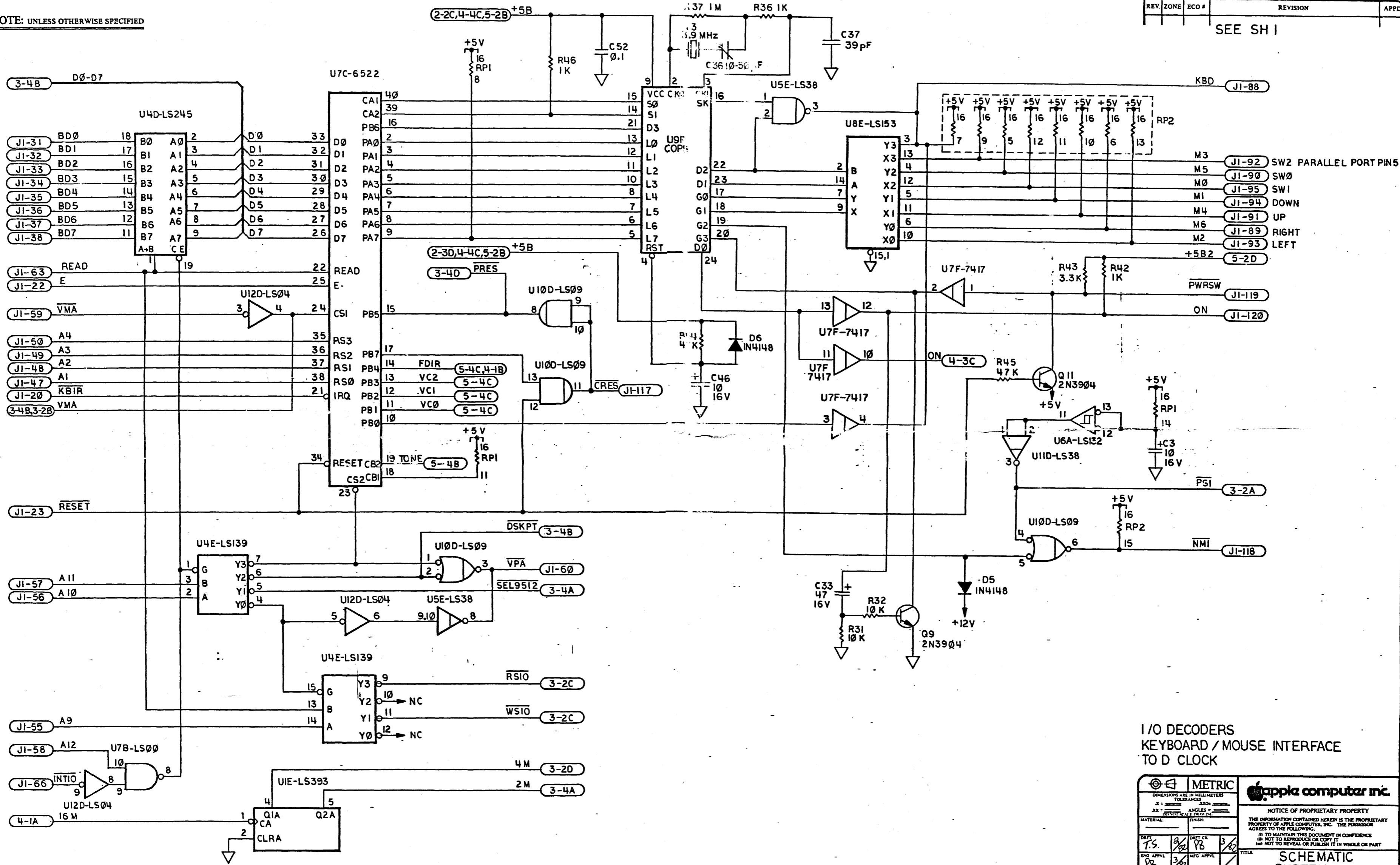


NOTE: UNLESS OTHERWISE SPECIFIED

REV.	ZONE	ECO #	REVISION	APPD
			SEE SH 1	

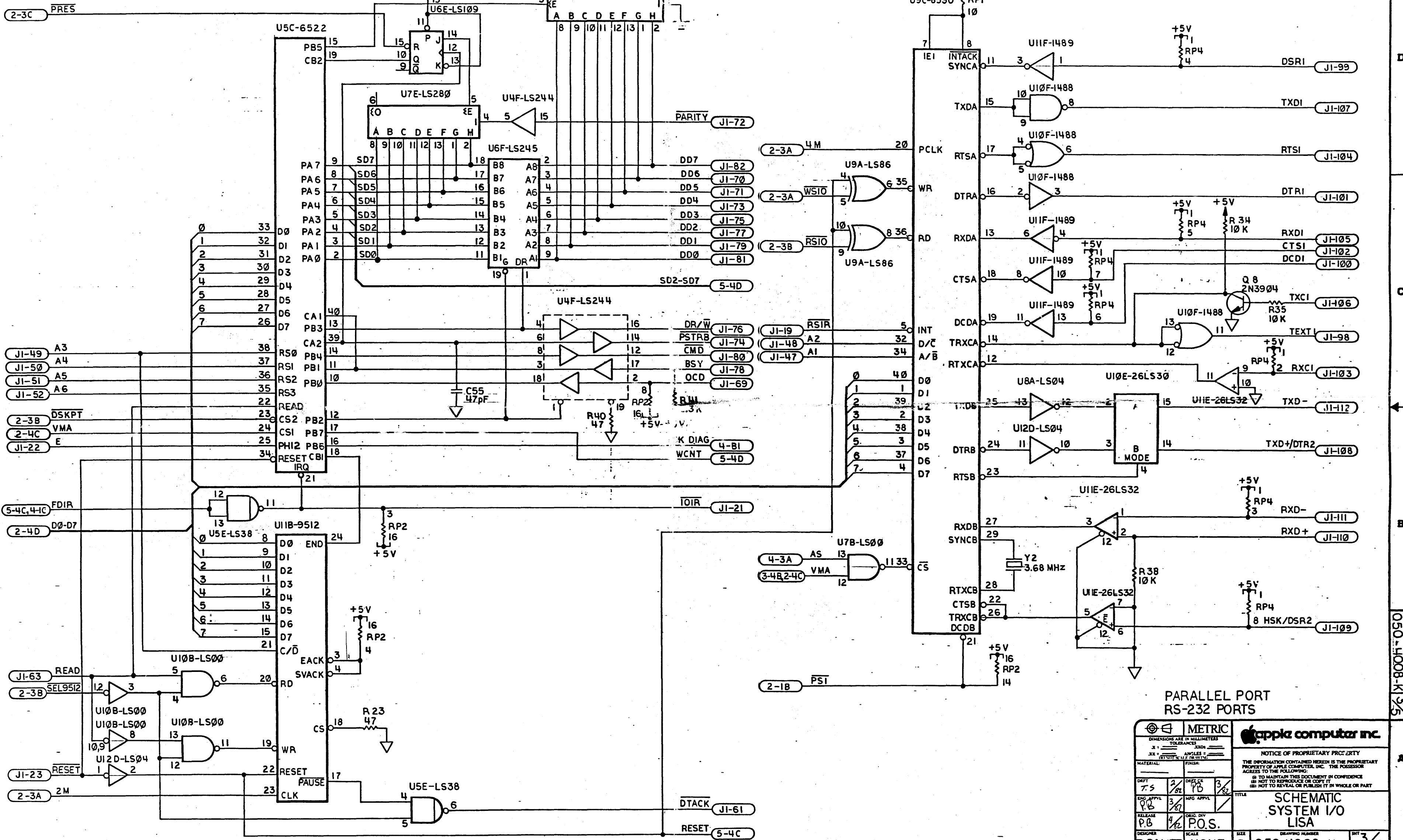


I/O DECODERS
KEYBOARD / MOUSE INTERFACE
TO D CLOCK

METRIC DIMENSIONS ARE IN MILLIMETERS TOLERANCES: X = .XXXmm, .XXXmm XX = .XXmm, .XXmm ANGLES =		apple computer inc. NOTICE OF PROPRIETARY PROPERTY THE INFORMATION CONTAINED HEREIN IS THE PROPRIETARY PROPERTY OF APPLE COMPUTER, INC. THE POSSESSOR AGREES TO THE FOLLOWING: (i) TO MAINTAIN THIS DOCUMENT IN CONFIDENCE (ii) NOT TO REPRODUCE OR COPY IT (iii) NOT TO REVEAL OR PUBLISH IT IN WHOLE OR PART	
DFT: J.S. ENG APPV: P.B. RELEASE: P.B. DESIGNER: P.BAKER	DFT CK: P.B. INFO APPV: P.O.S. ORIG. DV: P.O.S. SCALE: NONE	TITLE: SCHEMATIC SYSTEM I/O LISA DRAWING NUMBER: 050-4008-K	SHEET: 2/5

050-4008-K 2/5

NOTE: UNLESS OTHERWISE SPECIFIED



PARALLEL PORT
RS-232 PORTS

METRIC		apple computer inc.	
DIMENSIONS ARE IN MILLIMETERS			
TOLERANCES			
MATERIAL			
FINISH			
DRAWN			
CHECKED			
ENG. APPV.			
MFG. APPV.			
RELEASE			
DESIGNER			
SCALE			
SIZE			
DRAWING NUMBER			
SHEET			

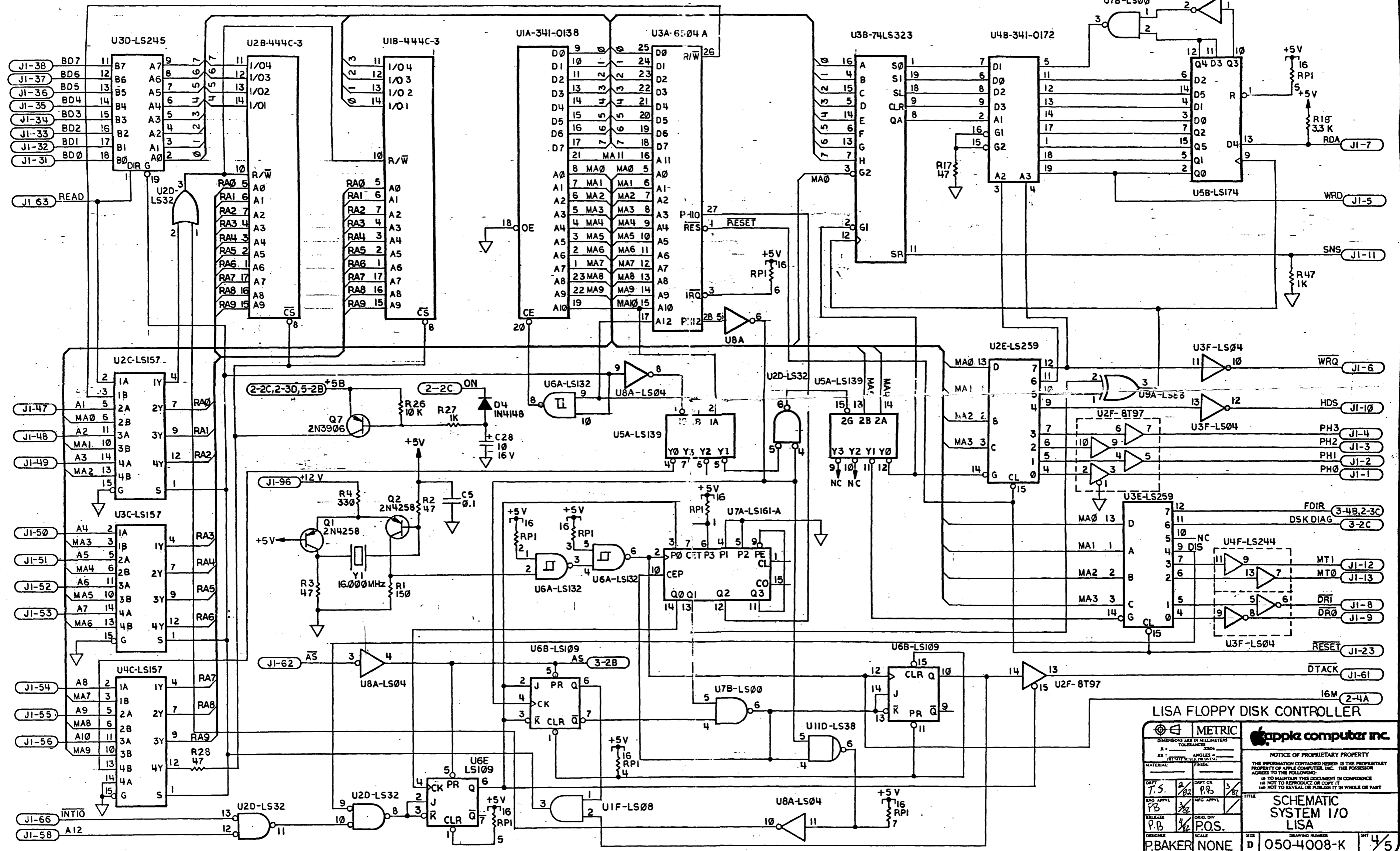
NOTICE OF PROPRIETARY PRIVACY
PROPERTY OF APPLE COMPUTER, INC. THE POSSESSOR
AGREES TO THE FOLLOWING:
(i) TO MAINTAIN THIS DOCUMENT IN CONFIDENCE
(ii) NOT TO REPRODUCE OR COPY IT
(iii) NOT TO REVEAL OR PUBLISH IT IN WHOLE OR PART

TITLE
**SCHEMATIC
SYSTEM I/O
LISA**

DESIGNER: P. BAKER
SCALE: NONE
SIZE: D
DRAWING NUMBER: 050-4008-K
SHEET: 3/5

050-4008-K 3/5

NOTE: UNLESS OTHERWISE SPECIFIED

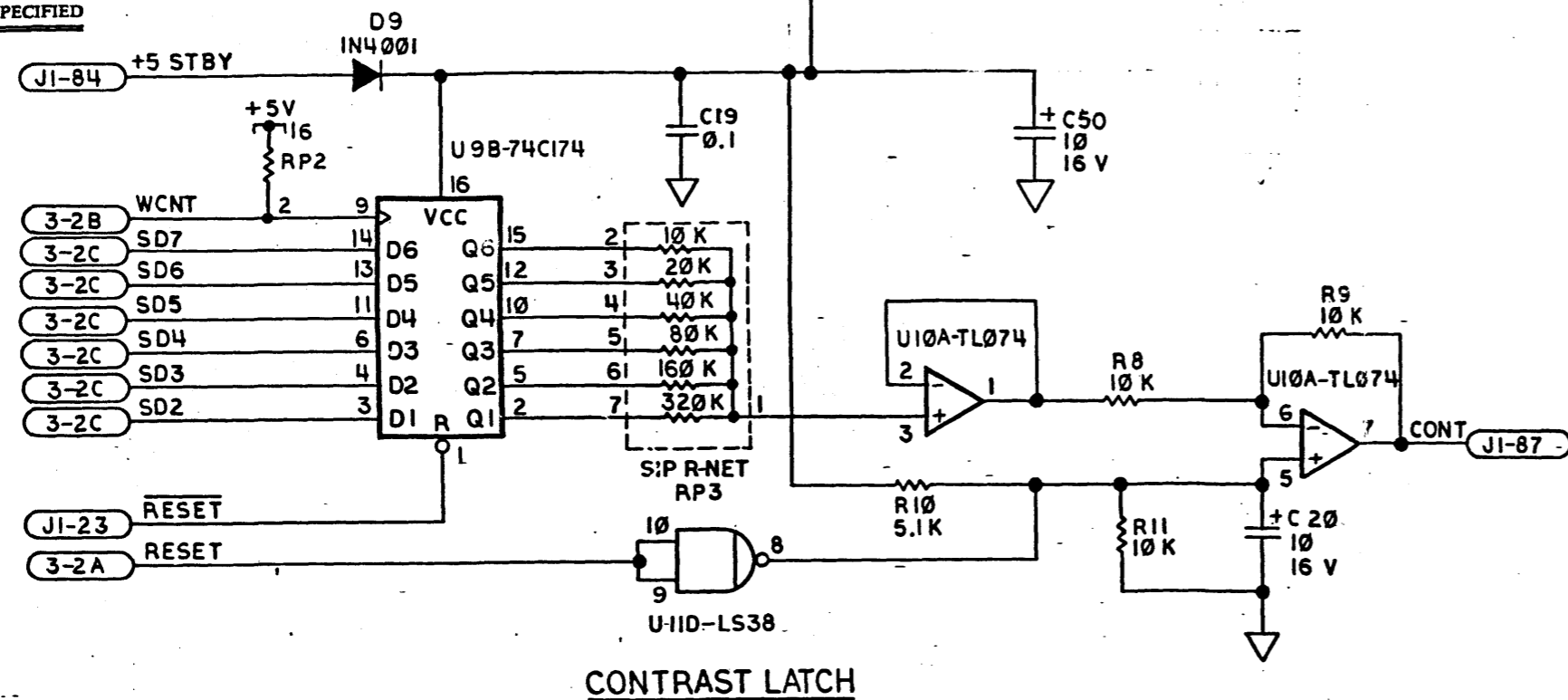


LISA FLOPPY DISK CONTROLLER

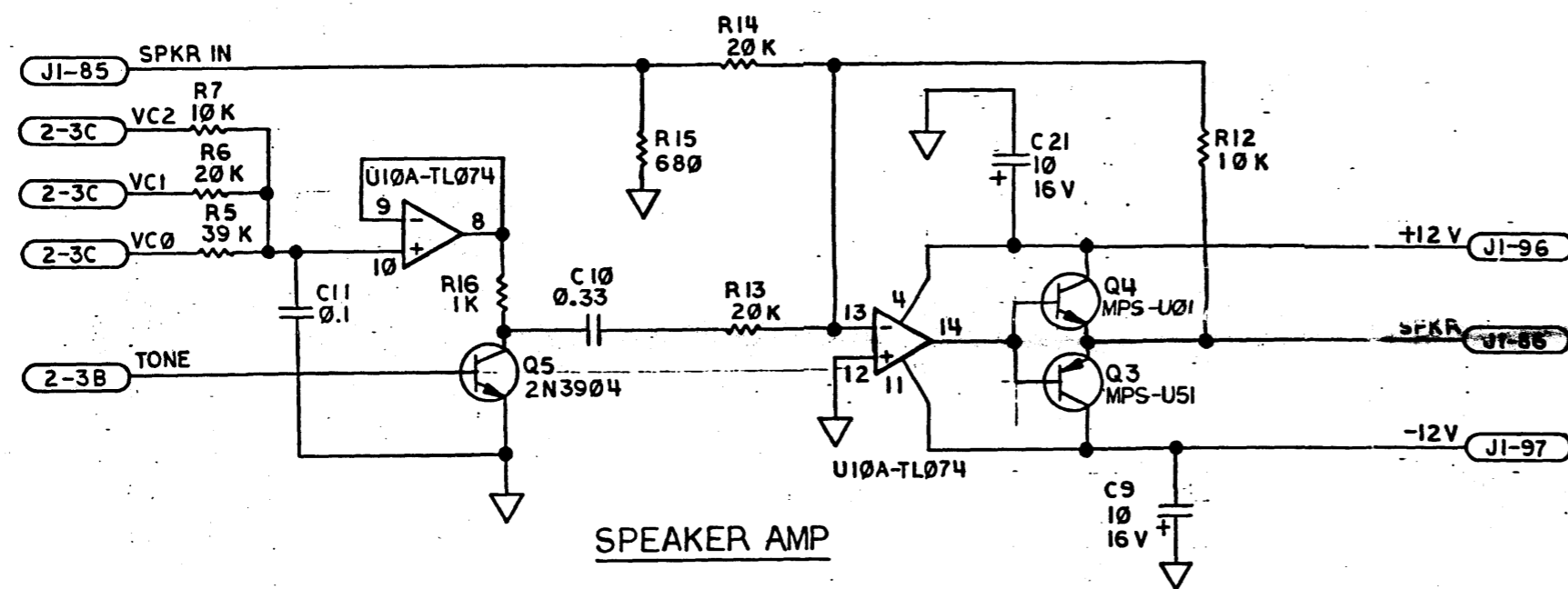
METRIC		apple computer inc.	
DIMENSIONS ARE IN MILLIMETERS			
TOLERANCES			
XX = ANGLES =			
XX = DIMENSIONS ON DRAWING			
MATERIAL: FINISH:			
IS TO MAINTAIN THIS DOCUMENT IN CONFIDENCE			
THE INFORMATION CONTAINED HEREIN IS THE PROPRIETARY PROPERTY OF APPLE COMPUTER, INC. THE POSSESSOR			
ADDRESS TO THE FOLLOWING:			
IS NOT TO BE REPRODUCED OR COPIED IN ANY MANNER WITHOUT THE WRITTEN PERMISSION OF APPLE COMPUTER, INC.			
TITLE: SCHEMATIC SYSTEM I/O LISA			
DESIGNER: P.BAKER	SCALE: NONE	SIZE: D	DRAWING NUMBER: 050-4008-K
DATE: 7.5.82	DEPT. CK: P.B.	3/87	SHT: 4/5
ENG. APPL: P.B.	INFO. APPL: P.B.		
RELEASE: P.B.	ORIG. DIV: P.O.S.		

NOTE: UNLESS OTHERWISE SPECIFIED

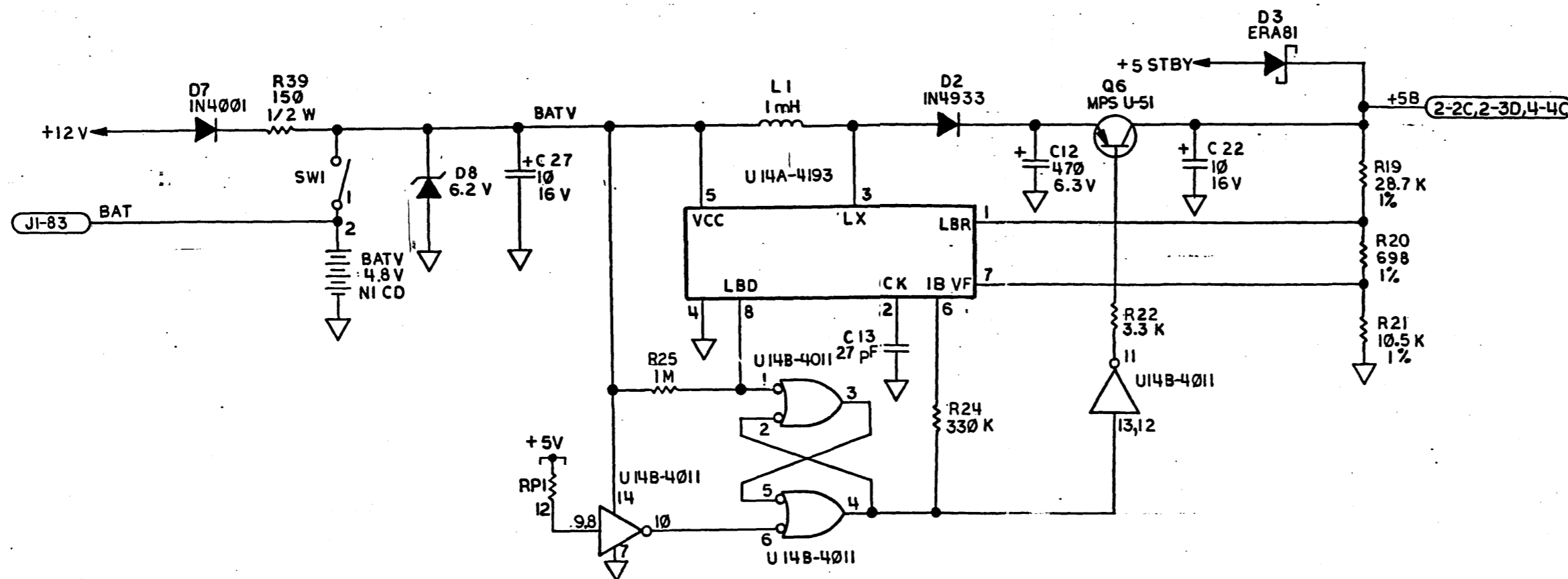
REV.	ZONE	ECG	REVISION	APPD
			SEE SH 1	



CONTRAST LATCH



SPEAKER AMP



ANALOG CIRCUITS

METRIC DIMENSIONS ARE IN MILLIMETERS TOLERANCES: .5 <= X <= 1.5 .50 1.5 <= X <= 2.5 .75 X >= 2.5 1.00 ANGLES = 90° UNLESS OTHERWISE SPECIFIED		apple computer inc. NOTICE OF PROPRIETARY PROPERTY THE INFORMATION CONTAINED HEREIN IS THE PROPRIETARY PROPERTY OF APPLE COMPUTER, INC. THE POSSESSOR AGREES TO THE FOLLOWING: (A) TO MAINTAIN THIS DOCUMENT IN CONFIDENCE (B) NOT TO REPRODUCE OR COPY IT (C) NOT TO REVEAL OR PUBLISH IT IN WHOLE OR IN PART	
DRAFT: P.B. 1/5 ENG APPV: P.B. 3/82 RELEASE: P.B. 4/82	DRAFT CR: P.B. 3/82 INFO APPV: P.B. 3/82 ORG. DIV: P.O.S.	TITLE: SCHEMATIC SYSTEM I/O LISA DESIGNER: PBAKER SCALE: NONE SIZE: D DRAWING NUMBER: 050-4008-K SHEET: 5/5	

050-4008-K 5/5