

(D2 INTERIM)

Burroughs Corporation
ELECTRONIC COMPONENTS DIVISION
PLAINFIELD, NEW JERSEY 07061 U.S. AMERICA



DWG. NO 2553 7465
DATE 10-30-74
SHEET 1 OF 7

TITLE PW BOARD ASSEMBLY, DRIVER (INTERIM)

REVISION		STATUS OF SHEETS							DESCRIPTION	DRAFTSMAN	CHECKER
LTR	NUMBER	1	2	3	4	5	6	7			
A		A	A	A	A	A	A	A	RELEASED OCT-31 1974		

REFERENCE PRINT
OCT 31 1974
REPRODUCTION SERVICES

THE PRINTED WIRING BOARD ASSEMBLY HEREIN DESCRIBED WILL BE SUPERSEDED BY 2553 7507 (02)

CLASS CODE

2-7045

Burroughs Corporation
ELECTRONIC COMPONENTS DIVISION
PLAINFIELD, NEW JERSEY 07061 U. S. AMERICA



SHEET 2 OF 7	DWG NO. 2553 7465	REV A
CLASS CODE 2-7045	TITLE PW BOARD ASSEMBLY, DRIVER (INTERIM)	
DRAWN BY REN	CHK STD & REC FEB	CHECK FFB F FEB
DATE 10-30-74	DATE 11/21/74	DATE 12/21/74
DSGN MP.	APPROVED MP.	DATE 10-31-

PROPRIETARY TO BURROUGHS CORPORATION-NOT TO BE REPRODUCED, NOR USED FOR MANUFACTURING PURPOSES EXCEPT ON BURROUGHS ORDER OR PRIOR WRITTEN CONSENT.

REVISION

This assembly is the same as PW Board Assembly, Driver, 1694 8035 Rev M except:

Add new components (24) located as shown on sheet 3.

On PW Board 1694 6212 Rev N:

- (a) Cut conductor runs on component side of board as indicated on sheet 4.
- (b) Cut conductor runs on solder side of board as indicated on sheet 5.

On parts list 1694 8077 add:

- (a) e1C1 thru e7C1 & C1 to 1693 9332, capacitor, change quantity from 1 to 9.
- (b) e1CR1 thru e7CR1 & CR3 to 1627 0175, diode, change quantity from 9 to 17.
- (c) e1R1 thru e7R1 & R61 to 1268 1318, resistor, change quantity from 56 to 54.

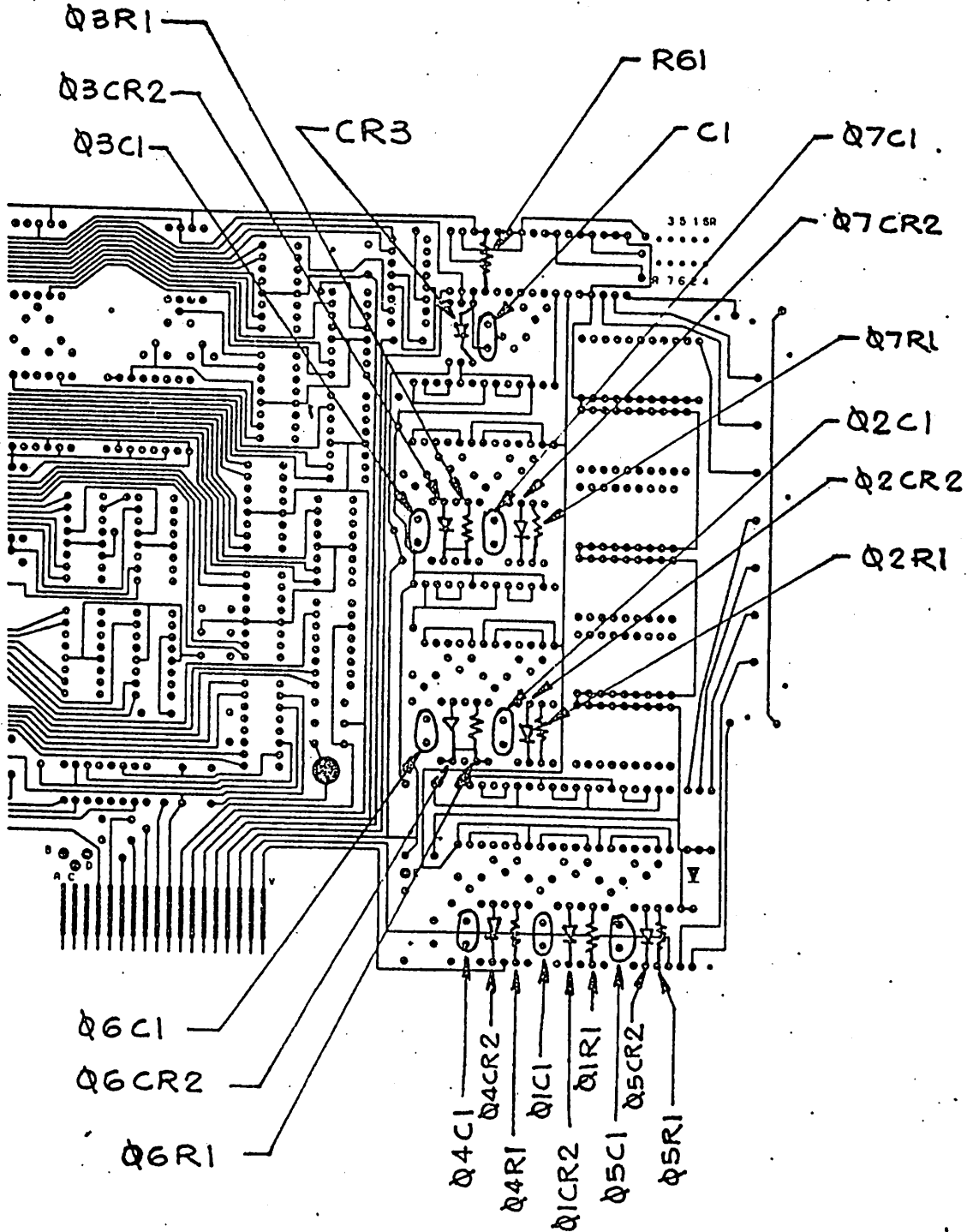
On schematic 1694 6857 add the above components per sheet 6.



SHEET 3 OF 7	DWG NO. C553 7465		REV. 1
CLASS CODE	TITLE ASSEMBLY, PW BOARD, DRIVER (INTERII)		
DRAWN BY RFN	CHK STD & REC	CHECK FF & F	DSGN APPROVED
DATE 10-21-74	DATE	DATE	DATE

PROPRIETARY TO BURROUGHS CORPORATION-NOT TO BE REPRODUCED, NOR USED FOR MANUFACTURING PURPOSES EXCEPT ON BURROUGHS ORDER OR PRIOR WRITTEN CONSENT.

REVISION



Burroughs Corporation
 ELECTRONIC COMPONENTS DIVISION
 PLAINFIELD, NEW JERSEY 07061 U. S. AMERICA



SHEET
 4 OF 7

DWG NO.

2553 7465

REV
 A

CLASS CODE

TITLE

ASSEMBLY PW BOARD DRIVER (INTERIM)

DRAWN BY

RFN

CHK STD & REC

CHECK FF & F

DSGN

APPROVED

DATE 10-31-74

DATE

DATE

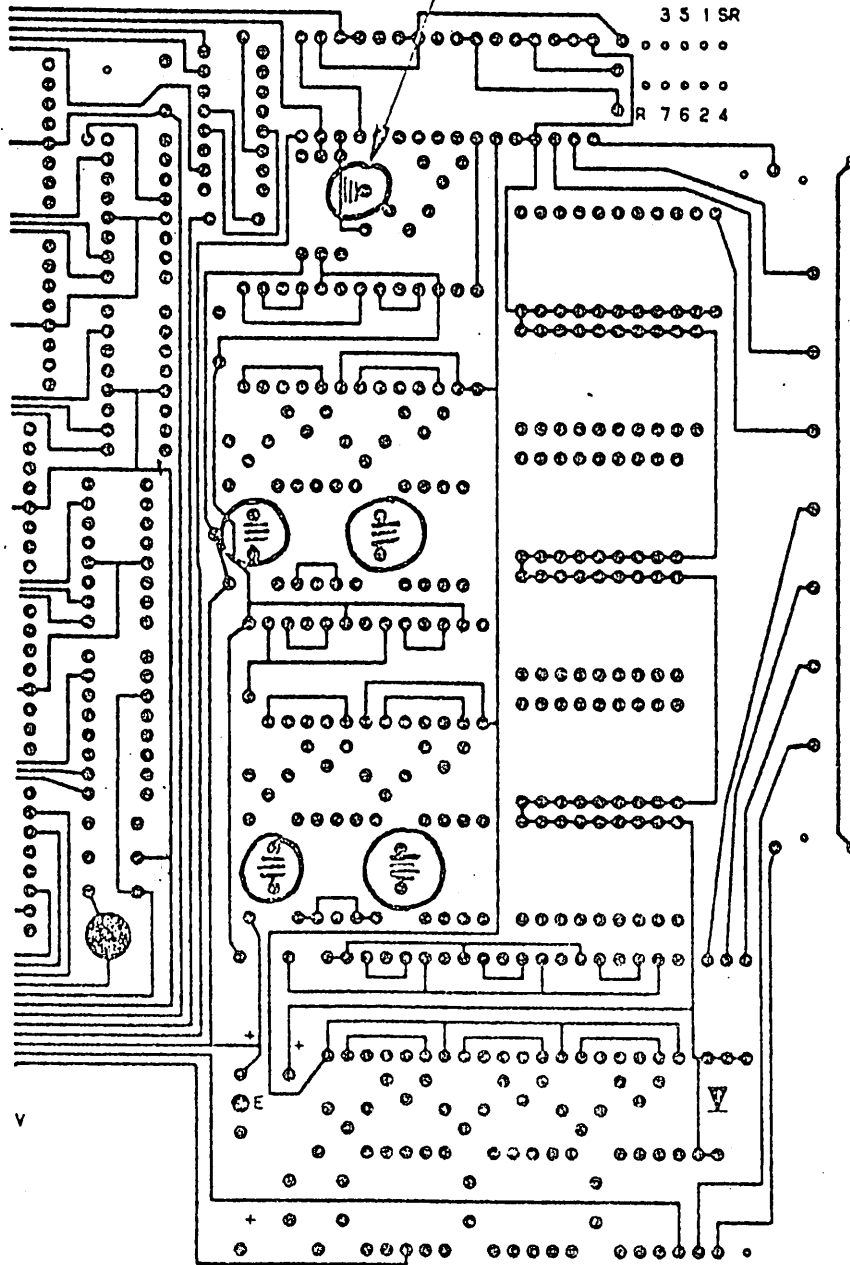
DATE

DATE

PROPRIETARY TO BURROUGHS CORPORATION - NOT TO BE REPRODUCED, NOR USED FOR MANUFACTURING PURPOSES EXCEPT ON BURROUGHS ORDER OR PRIOR WRITTEN CONSENT.

REVISION

CUT RUNS (5) PLACES



COMPONENT SIDE

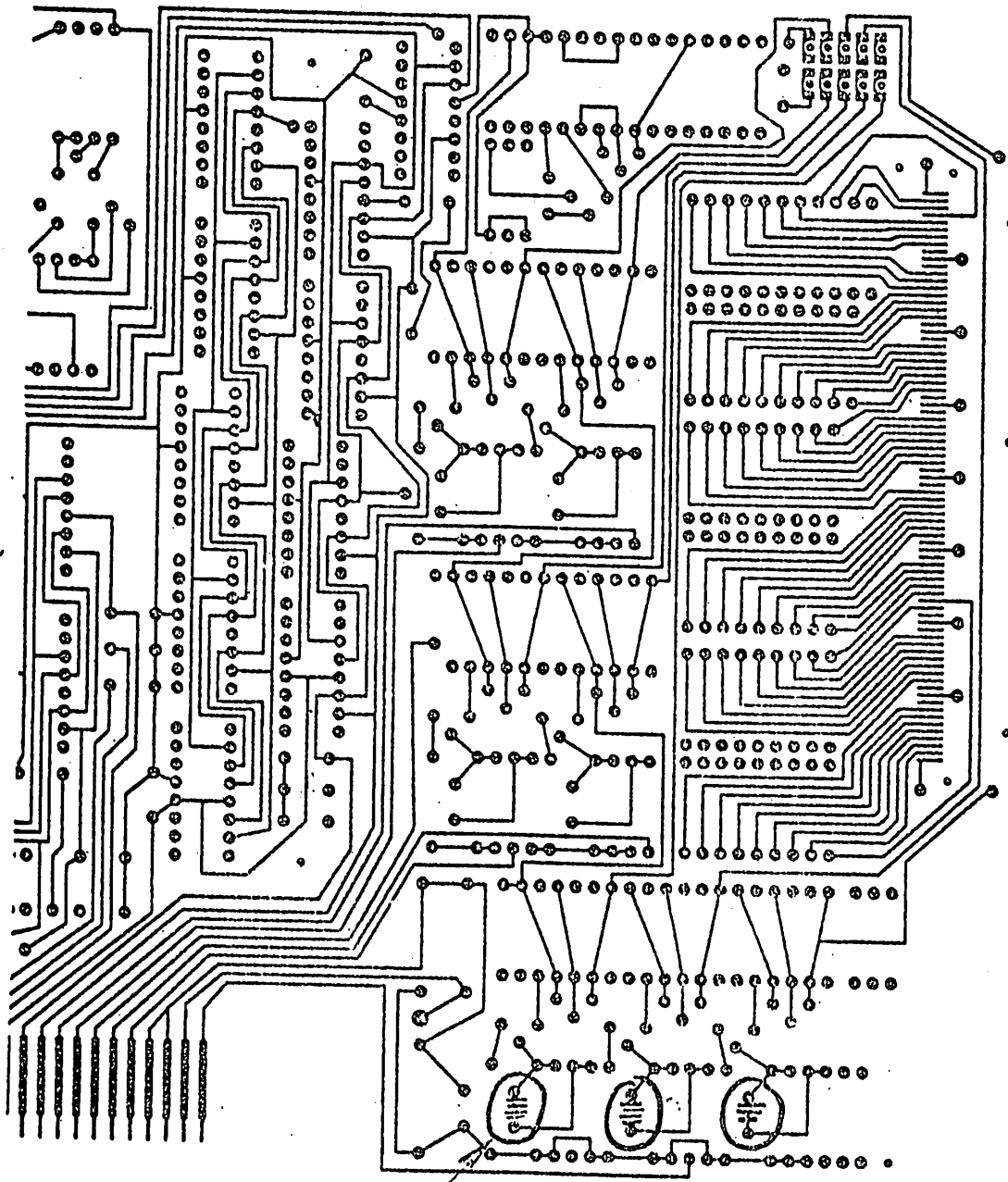
Burroughs Corporation
 ELECTRONIC COMPONENTS DIVISION
 PLAINFIELD, NEW JERSEY 07061 U. S. AMERICA



SHEET 5 OF 7	DWG NO. 2553 7465		REV A
CLASS CODE	TITLE ASSEMBLY, PW BOARD, DRIVER (INTERIM)		
DRAWN BY RFN	CHK STD & REC	CHECK FF & F	DSON
DATE 10-31-74	DATE	DATE	DATE
			APPROVED

PROPERTY TO BURROUGHS CORPORATION - NOT TO BE REPRODUCED, NOR USED FOR MANUFACTURING PURPOSES EXCEPT ON BURROUGHS ORDER OR PRIOR WRITTEN CONSENT.

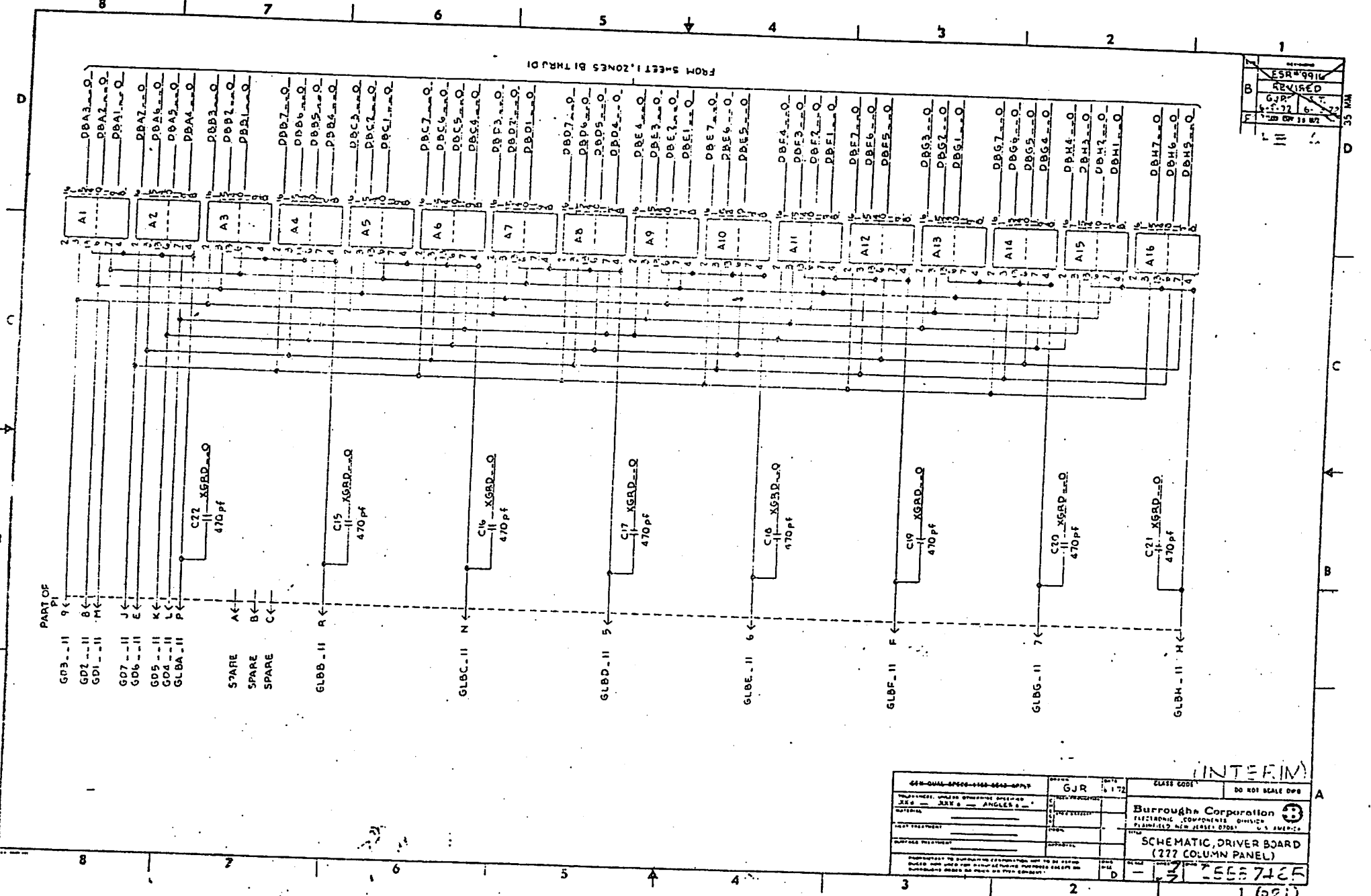
TR	REVISION
----	----------



CUT RUNS 2 PLACES
 SOLDER SIDE

ESR 4991
 REQUIRED
 6/27
 27 6
 11 13 15 17

FROM SHEET 1, ZONES B THROUGH I



PART OF PI
 9< GP3--II
 8< GD2--II
 M< GD1--II
 J< GD7--II
 E< GD6--II
 K< GD5--II
 L< GD4--II
 P< GLBA--II
 A< SPARE
 B< SPARE
 C< SPARE
 R< GLBB--II
 N< GLBC--II
 5< GLBD--II
 6< GLBE--II
 F< GLBF--II
 7< GLBG--II
 H< GLBH--II

(INTERIM)

618-0041-0060-0100-0040-0070	618-0041-0060-0100-0040-0070	CLASS CODE	DO NOT SCALE DPG
MATERIAL: 303 STAINLESS STEEL	ANGLES	DATE: 6/27	
SURFACE TREATMENT	FINISH		
	DRILLING		
Burroughs Corporation		ELECTRONIC COMPONENTS DIVISION	
PLANNED NEW JERSEY 07001		U.S. PATENT OFFICE	
SCHEMATIC, DRIVER BOARD			
(277 COLUMN PANEL)			
1 (part)		75557125	