

P2	SIGNAL	DIRECTION	LOCATION
AV 201	GND	←	B8
202	GND	←	B8
203	+12V	→	NU
204	+12V	→	NU
205	+12V	→	NU
206	+12V	→	NU
207	-12V	→	NU
208	-12V	→	NU
209	DSYN	←	C60
210	DPST	←	C57
211	TTLF	→	NU
212	F5H	→	NU
213	+5V	←	B8
214	+5V	←	B8
215	MST	→	D57
216	NU	→	NU
217	MAEK	←	C60
218	ED	→	D57
219	SPS	→	NU
220	SLB	→	NU
221	FFD	←	D62
222	MSTS	→	NU
223	4B03	→	C33
224	4B03	→	C33
225	4B10	→	D33
226	4B17	→	D33
227	GND	←	A8
228	GND	←	A8
229	4B17	→	D33
230	4B13	→	D33
231	4B17	→	D33
232	4B15	→	D33
233	AL	→	NU
234	BM	→	NU
235	STSP	→	B57
236	SACK	→	D62
237	MBIN	→	D58
238	MHST	→	B57
239	4B00	→	A20
240	DP01	→	A20
241	4B02	→	A20
242	4B03	→	A20
PIN 243	+5V	←	B8

P2	SIGNAL	DIRECTION	LOCATION
PIN 244	+5V	←	B8
245	4B04	→	A20
246	4B05	→	NU
247	4B06	→	NU
248	4B07	→	NU
249	4B08	→	NU
250	4B09	→	NU
251	4B10	→	NU
252	4B11	→	NU
253	4B12	→	A20
254	4B13	→	B20
255	4B14	→	B20
256	4B15	→	B20
257	4B16	→	B64
258	IN	→	NU
259	GND	←	A8
260	GND	←	A8
261	TRCL	←	A64
262	OUT	←	B64
263	CLK	→	NU
264	SER	→	B57
265	IUE	→	A62
266	TL1	→	NU
267	IAP	→	B62
268	TL2	→	NU
269	RST	→	B64
270	IUA	→	NU
271	PLSE	→	C64
272	4B17	→	NU
273	+5V	←	B8
274	+5V	←	B8
275	4B18	→	C33
276	4B19	→	NU
277	4B20	→	NU
278	4B21	→	NU
279	4B22	→	NU
280	4B23	→	NU
281	4B24	→	NU
282	4B25	→	NU
283	4B26	→	NU
284	PCIT	→	A62
285	GND	←	A8
PIN 286	GND	←	A8

J6	SIGNAL	DIRECTION	LOCATION
PIN 1	HD. LOAD EN	→	C37
2	HEAD LAD	→	C37
3	DRECT RTN	→	D37
4	DIRECTION	→	D37
5	ANALOG RTN	→	D37
6	DATA GND	→	D37
7	STEP RTN	→	D37
8	STEP	→	D37
9	UDRTN	→	B37
10	UD	→	B37
11	U2RTN	→	C37
12	U2	→	C37
13	U3RTN	→	C37
14	U3	→	C37
15	U4RTN	→	B37
16	UT	→	C37
17	NU	→	NU
18	NU	→	NU
19	NU	→	NU
20	NU	→	NU
21	READY RTN	←	B56
22	READY DATA	→	B56
23	READY RTN	→	A56
24	WRITE RTN	→	A56
25	TRACK ORIN	→	B56
26	TRACK O	→	B56
27	INDEX RTN	→	C56
28	INDEX	→	C56
29	FILE IMP. RTN	→	C56
30	FILE INFO	→	C56
31	READY RTN	→	D56
32	RESET	←	D56
33	NU	→	NU
34	NU	→	NU
35	WRITE RTN	→	B37
36	WRITE ENL	→	B37
37	WRITE RTN	→	B37
38	WRITE DATA	→	B37
39	WRITE DATA	→	B37
40	NU	→	NU

J2	SIGNAL	DIRECTION	LOCATION
PIN 1	4B13	→	C19
2	4B14	→	C19
3	4B15	→	C19
4	4B16	→	C19
5	4B17	→	C19
6	4B18	→	C19
7	4B19	→	C19
PIN 8	4B20	→	C19

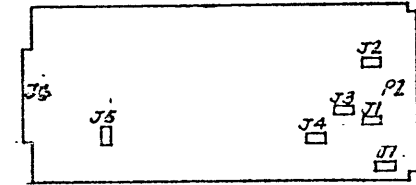
J9	SIGNAL	DIRECTION	LOCATION
PIN 1	SB12	→	D17
2	SB13	→	D17
3	SB14	→	D17
4	SB15	→	D17
5	4B10	→	C21
6	4B11	→	C21
7	4B12	→	C21
PIN 8	4B13	→	C21

J4	SIGNAL	DIRECTION	LOCATION
PIN 1	4B14	→	B44
2	4B15	→	B44
3	4B16	→	B44
4	4B17	→	B44
5	4B18	→	B44
6	4B19	→	B44
7	4B20	→	B44
PIN 8	4B21	→	B44

J5	SIGNAL	DIRECTION	LOCATION
PIN 1	4B14	→	B52
2	4B15	→	C50
3	4B16	→	A49
4	4B17	→	A47
5	4B18	→	C52
6	4B19	→	B54
PIN 7	4B20	→	B53

J1	SIGNAL	DIRECTION	LOCATION
PIN 1	4B14	→	C21
2	4B15	→	C21
3	4B16	→	C21
4	4B17	→	C21
5	4B18	→	C21
6	4B19	→	C21
7	4B20	→	C21
PIN 8	4B21	→	C21

J7	SIGNAL	DIRECTION	LOCATION
PIN 1	DPIN	←	C60
2	4B14	→	AB
3	4B15	→	B57
4	GND	←	AB
5	MBIN	→	A63
6	PRIN	→	AB
7	GND	←	AB
8	4B16	→	AB
9	4B17	→	AB
10	4B18	→	AB
11	4B19	→	AB
12	4B20	→	AB
13	GND	←	AB
14	4B21	→	AB
15	4B22	→	AB
PIN 16	4B23	→	AB



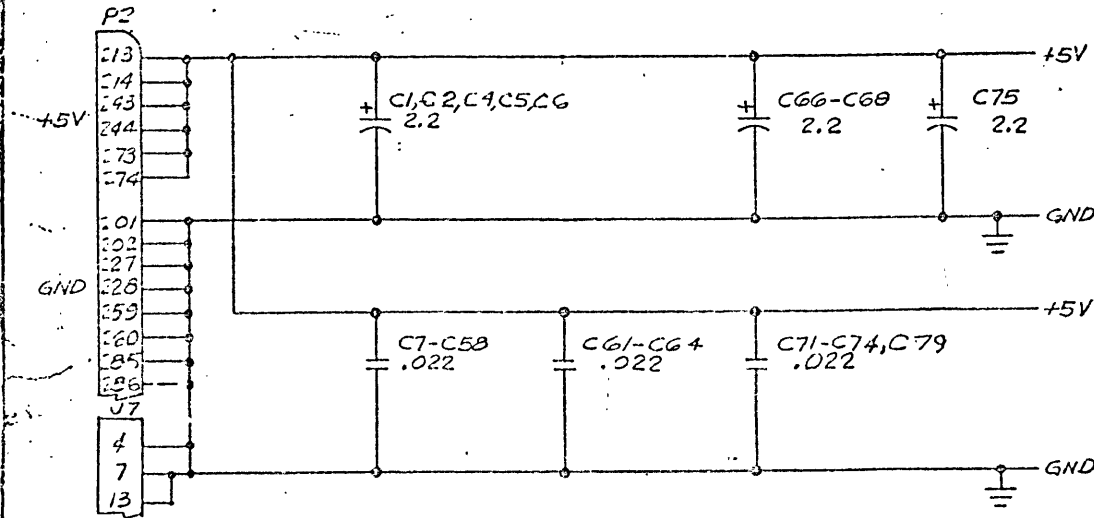
COMPONENT SIDE

IC DESIGN.	IC TYPE	UNUSED PINS	
		IN	OUT
5A	SPARE		
38	SPARE		
106	SPARE		
125	SPARE		
2	74LS00	1,2	3
		9,10	8
		12,13	11
29	74LS00	4,5	6
		9,10	8
		12,13	11
48	74LS00	1,2	3
51	74LS00	9,10	8
		12,13	11
37	74LS03	4,5	6

TABULATION BLOCK	DESCRIPTION
DASH NO. -01	BASIC

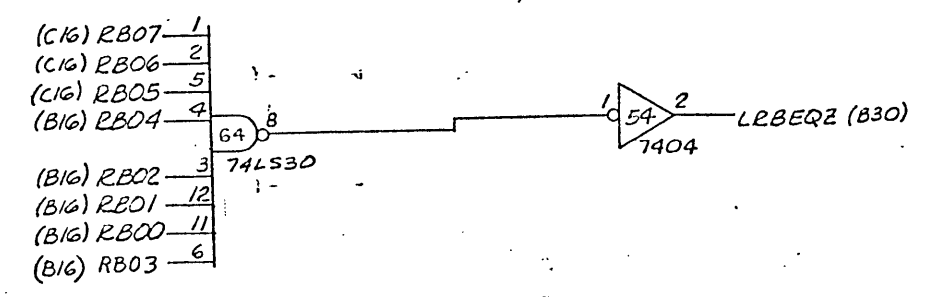
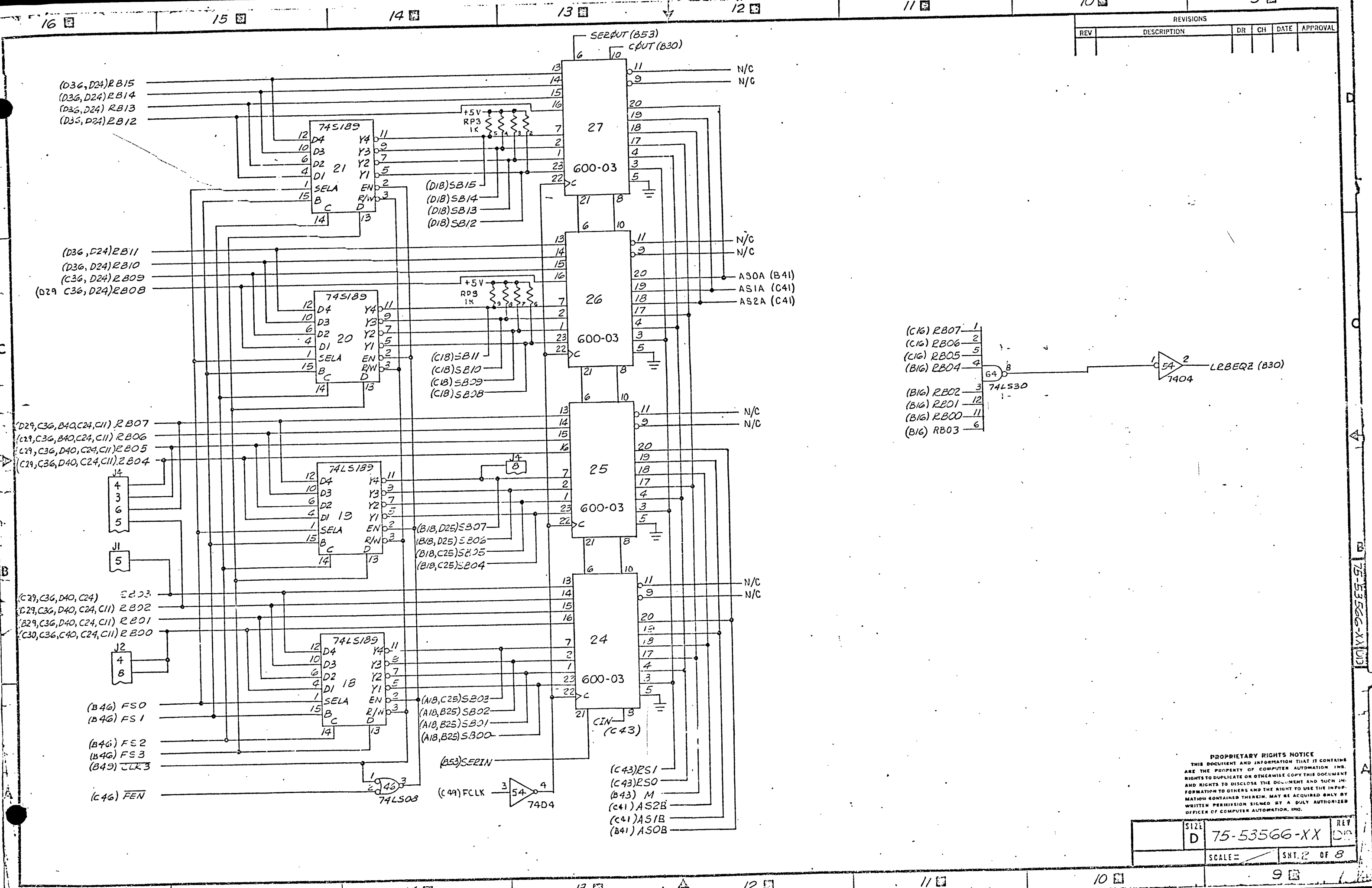
PROPRIETARY RIGHTS NOTICE
 THIS DOCUMENT AND INFORMATION THAT IT CONTAINS ARE THE PROPERTY OF COMPUTER AUTOMATION, INC. RIGHTS TO DUPLICATE OR OTHERWISE COPY THIS DOCUMENT AND RIGHTS TO DISCLOSE THE DOCUMENT AND SUCH INFORMATION TO OTHERS AND THE RIGHT TO USE THE INFORMATION CONTAINED THEREIN, MAY BE ACQUIRED ONLY BY WRITTEN PERMISSION SIGNED BY A DULY AUTHORIZED OFFICER OF COMPUTER AUTOMATION, INC.

COMPUTER AUTOMATION, INC.
 12881 VAN PARADISE AVENUE, CA 92124
 TITLE: LOGIC DIAGRAM, FLOPPY DISK CONTROLLER
 SIZE: DWG. NO. D 75-53566-XX
 REV: 1
 SHEET 1 OF 8



- RESISTOR PACKS ARE 220 AND 330 OHMS, ±5%, 1/8W
- 2 MICROFARAD CAPACITORS ARE ±10%, 20V
- ALL MICROFARAD CAPACITORS ARE ±50% -20%, 25V
- ALL RESISTORS ARE IN OHMS, ±5%, 1/4 W.
- FOR D.V.G. NO. SEE TABUL. BLOCK.
- NOTES: UNLESS OTHERWISE SPECIFIED
- LAST REFERENCE DESIGNATOR USED: R25, C81, SW4, IC 82.
- BIDIRECTIONAL SIGNAL DENOTED BY →←.
- OUTPUT SIGNAL DENOTED BY →.
- INPUT SIGNAL DENOTED BY ←.

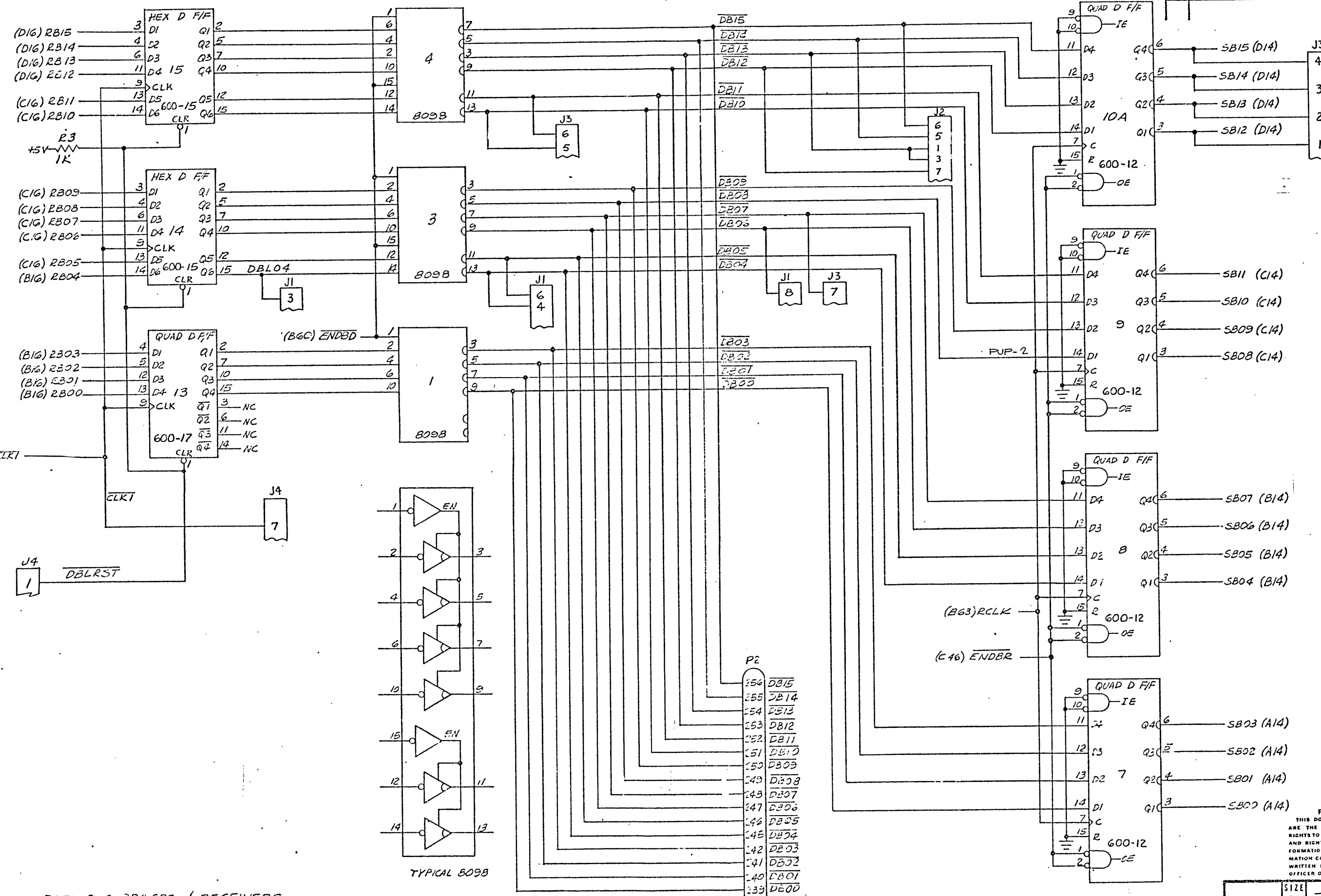
REVISIONS					
REV	DESCRIPTION	DR	CH	DATE	APPROVAL



PROPRIETARY RIGHTS NOTICE
 THIS DOCUMENT AND INFORMATION THAT IT CONTAINS ARE THE PROPERTY OF COMPUTER AUTOMATION, INC. RIGHTS TO DUPLICATE OR OTHERWISE COPY THIS DOCUMENT AND RIGHTS TO DISCLOSE THE DOCUMENT AND SUCH INFORMATION TO OTHERS AND THE RIGHT TO USE THE INFORMATION CONTAINED THEREIN, MAY BE ACQUIRED ONLY BY WRITTEN PERMISSION SIGNED BY A DULY AUTHORIZED OFFICER OF COMPUTER AUTOMATION, INC.

SIZE	D	75-53566-XX	REV	
SCALE			SHT. 2 OF 8	

REVISIONS					
REV	DESCRIPTION	DR	CH	DATE	APPROVAL



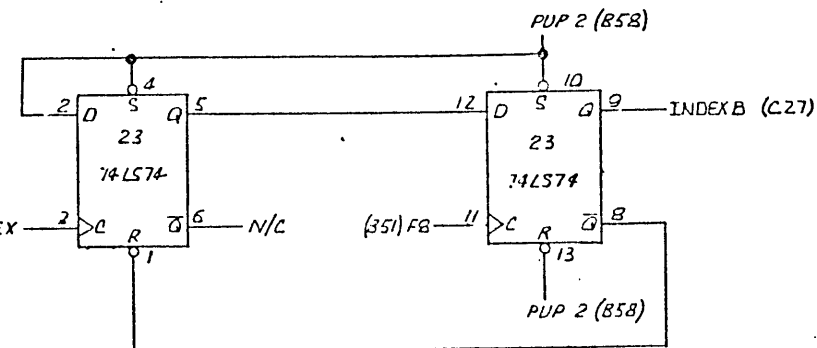
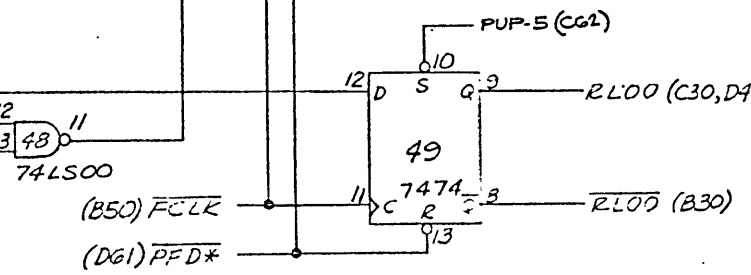
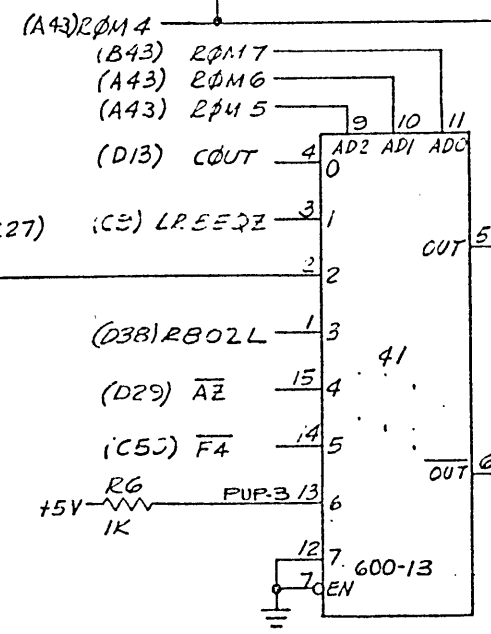
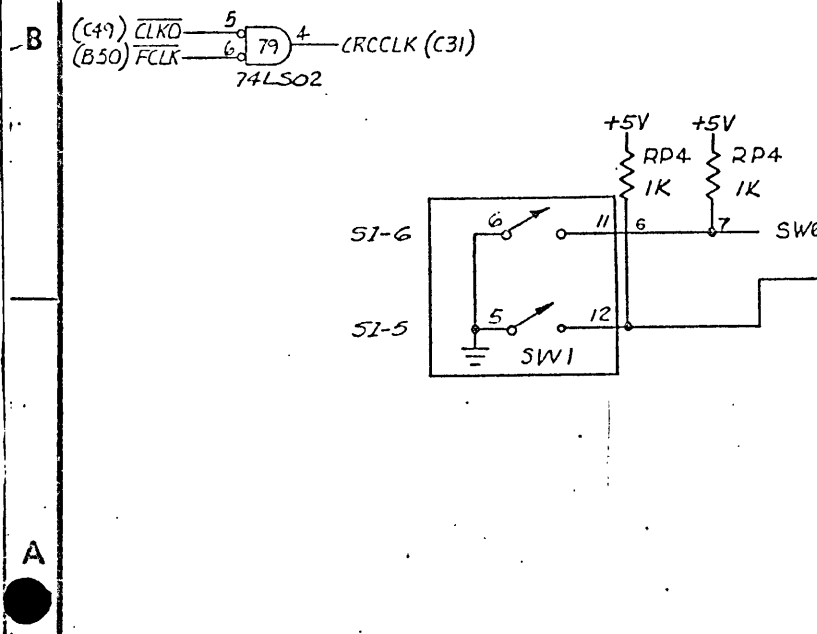
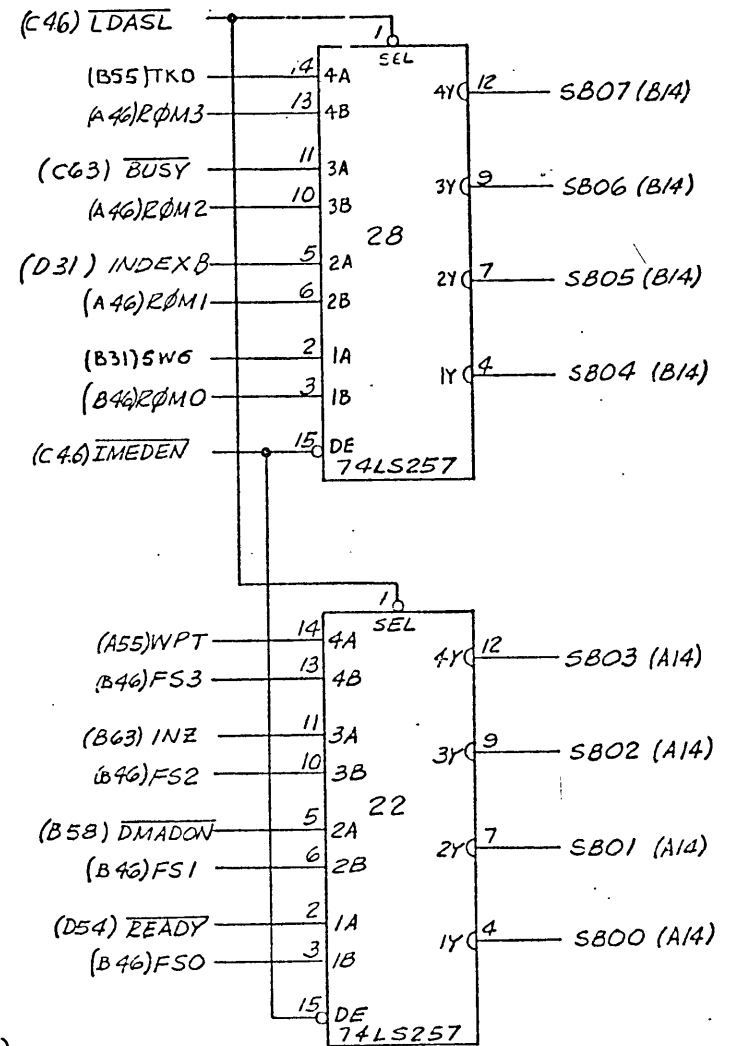
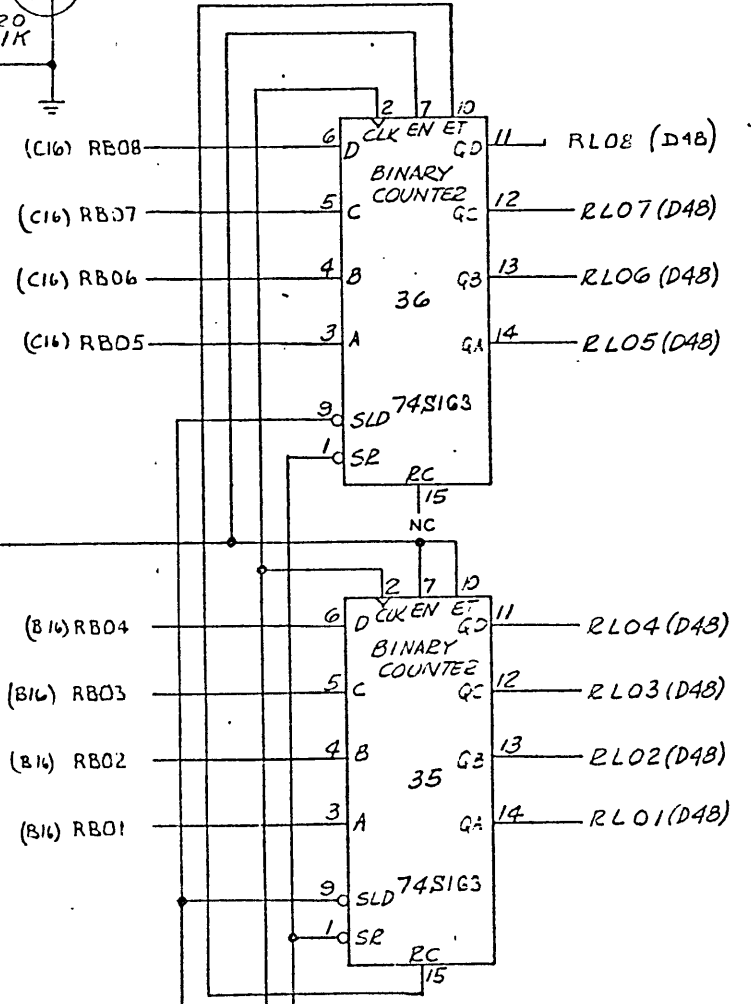
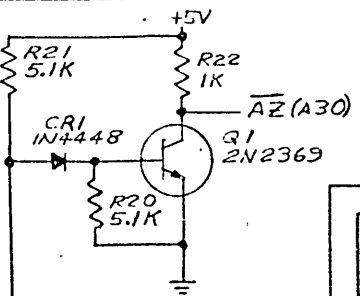
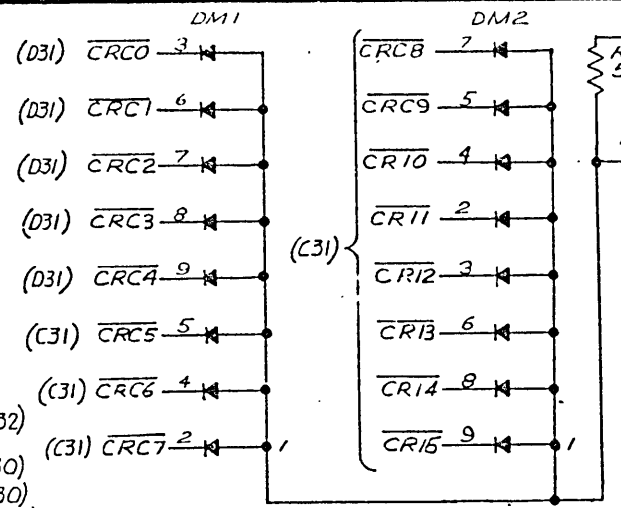
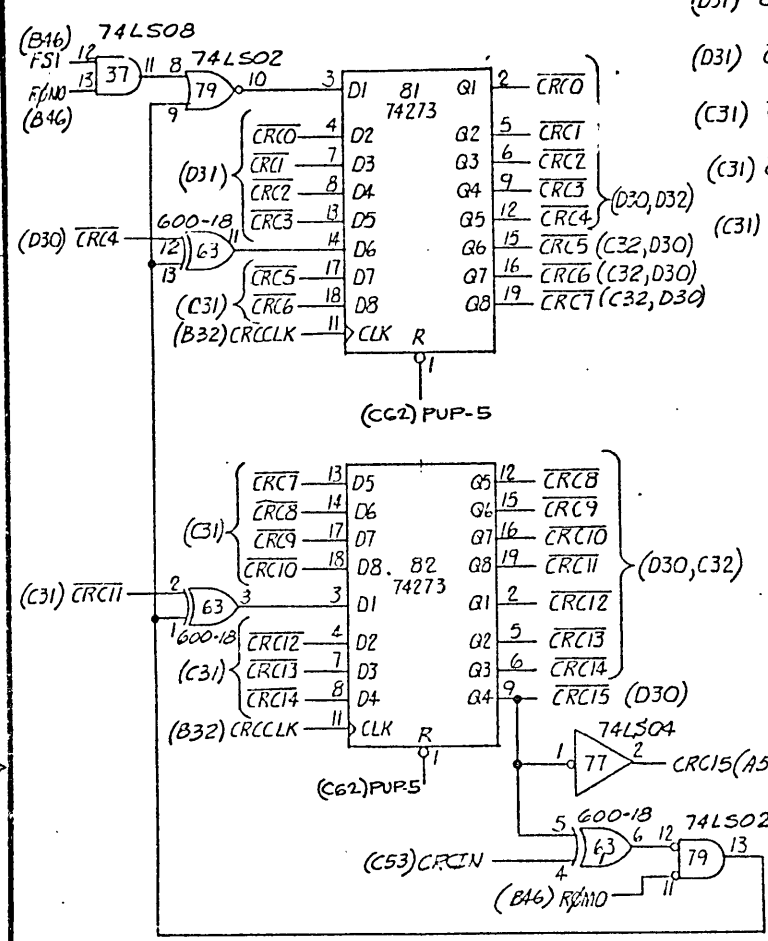
DATA BUS DRIVERS & RECEIVERS

PROPRIETARY RIGHTS NOTICE
 THIS DOCUMENT AND INFORMATION THAT IT CONTAINS ARE THE PROPERTY OF COMPUTER AUTOMATION, INC. RIGHTS TO DUPLICATE OR OTHERWISE COPY THIS DOCUMENT AND RIGHTS TO DISCLOSE THIS DOCUMENT AND SUCH INFORMATION TO OTHERS AND THE RIGHT TO USE THE INFORMATION CONTAINED THEREIN, MAY BE ACQUIRED ONLY BY WRITTEN PERMISSION SIGNED BY A DULY AUTHORIZED OFFICER OF COMPUTER AUTOMATION, INC.

SIZE	D	75-53566-XX	REV	D1
SCALE	SHT. 3 OF 3			

PROPRIETARY RIGHTS NOTICE
THIS DOCUMENT AND INFORMATION THAT IT CONTAINS ARE THE PROPERTY OF COMPUTER AUTOMATION, INC. RIGHTS TO DUPLICATE OR OTHERWISE COPY THIS DOCUMENT AND RIGHTS TO DISCLOSE THE DOCUMENT AND SUCH INFORMATION TO OTHERS AND THE RIGHT TO USE THE INFORMATION CONTAINED THEREIN, MAY BE ACQUIRED ONLY BY WRITTEN PERMISSION SIGNED BY A DULY AUTHORIZED OFFICER OF COMPUTER AUTOMATION, INC.

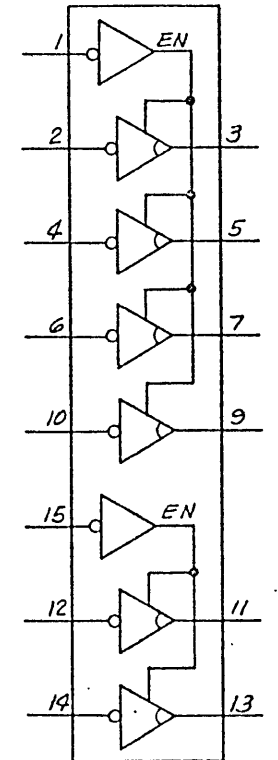
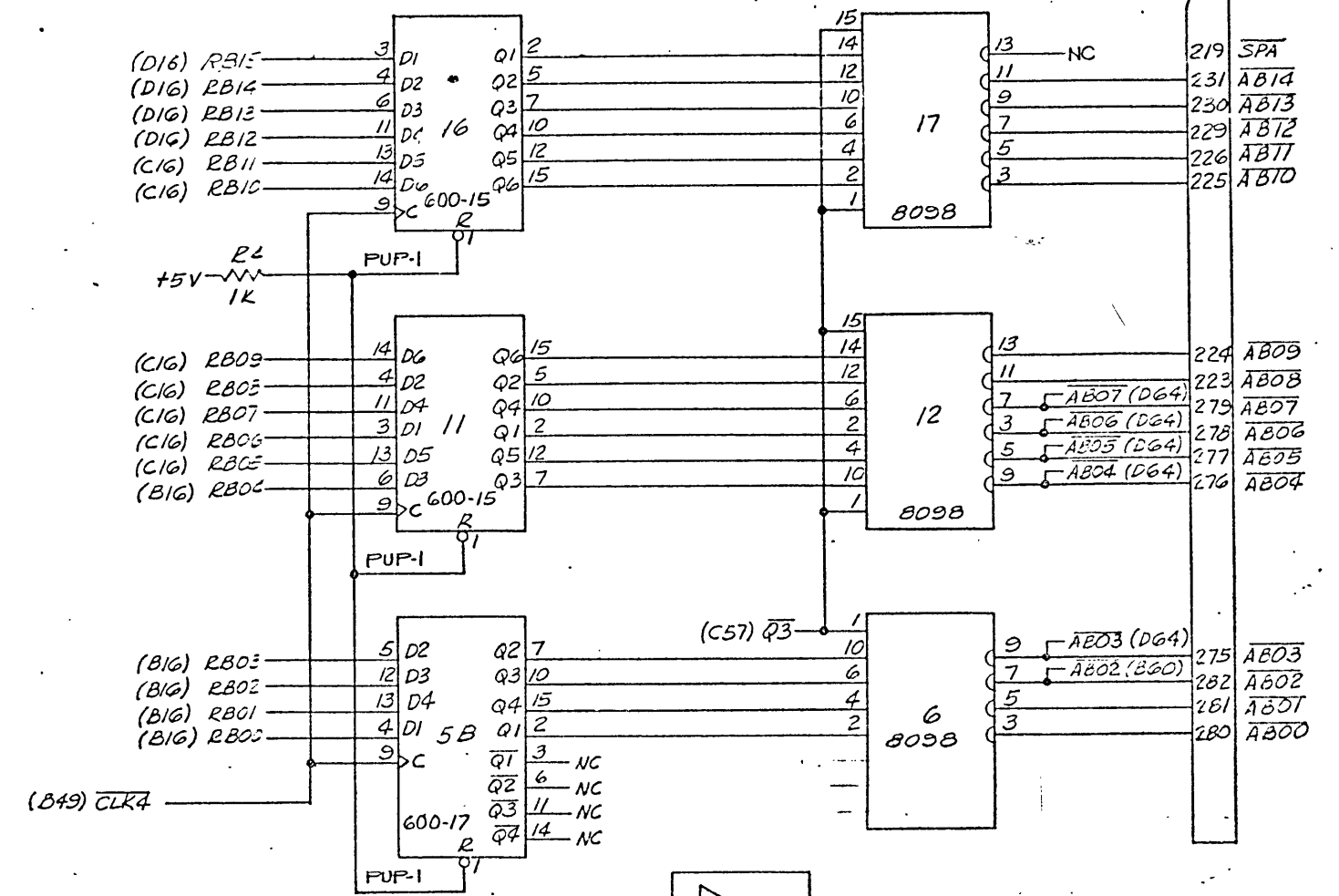
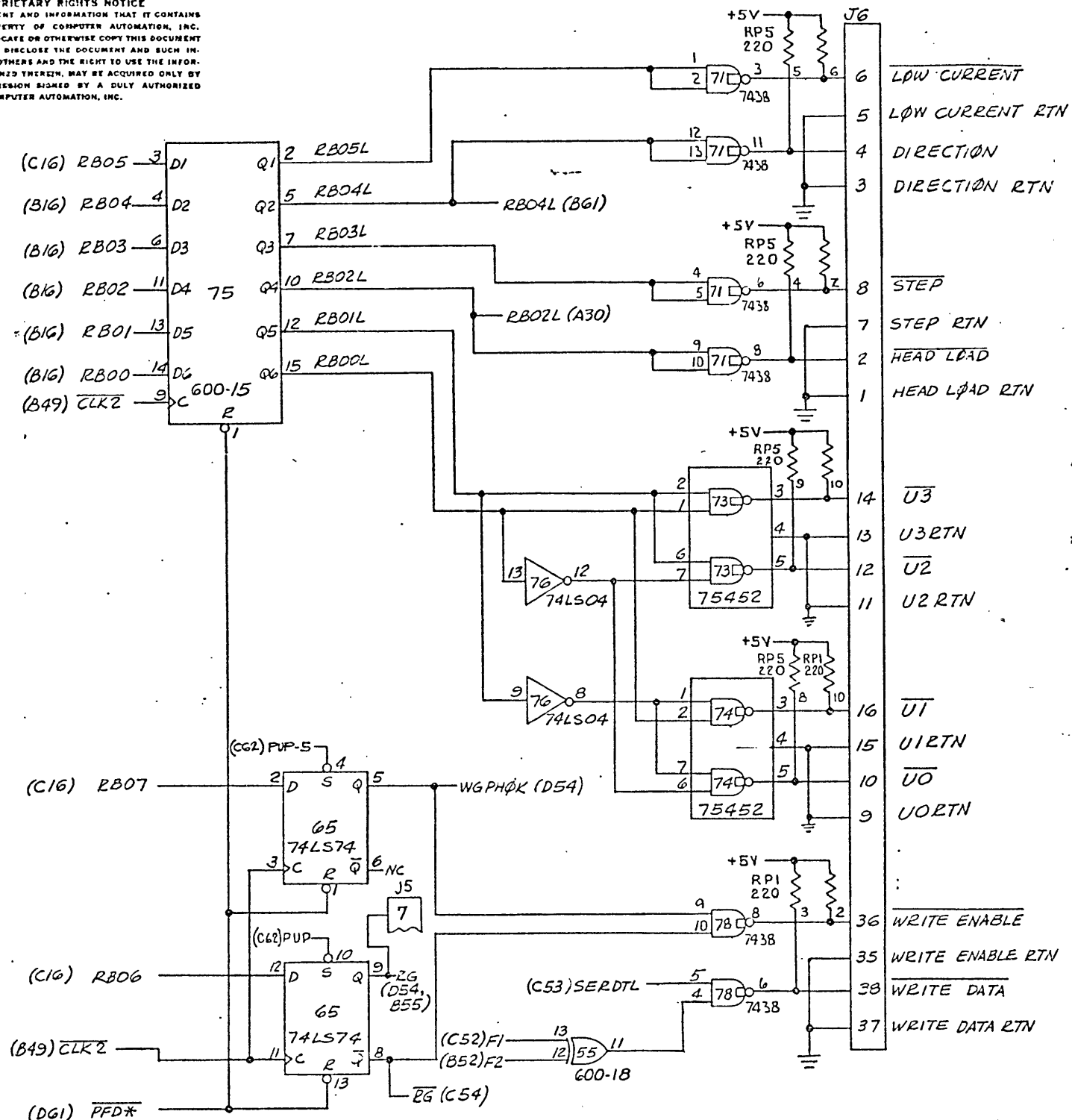
REVISIONS					
REV	DESCRIPTION	DR	CH	DATE	APPROVAL



SIZE	D	75-53566-XX	REV	CI
SCALE	=		SHT.	4 OF 8

PROPRIETARY RIGHTS NOTICE
 THIS DOCUMENT AND INFORMATION THAT IT CONTAINS ARE THE PROPERTY OF COMPUTER AUTOMATION, INC. RIGHTS TO DUPLICATE OR OTHERWISE COPY THIS DOCUMENT AND RIGHTS TO DISCLOSE THE DOCUMENT AND SUCH INFORMATION TO OTHERS AND THE RIGHT TO USE THE INFORMATION CONTAINED THEREIN, MAY BE ACQUIRED ONLY BY WRITTEN PERMISSION SIGNED BY A DULY AUTHORIZED OFFICER OF COMPUTER AUTOMATION, INC.

REVISIONS					
REV	DESCRIPTION	DR	CH	DATE	APPROVAL

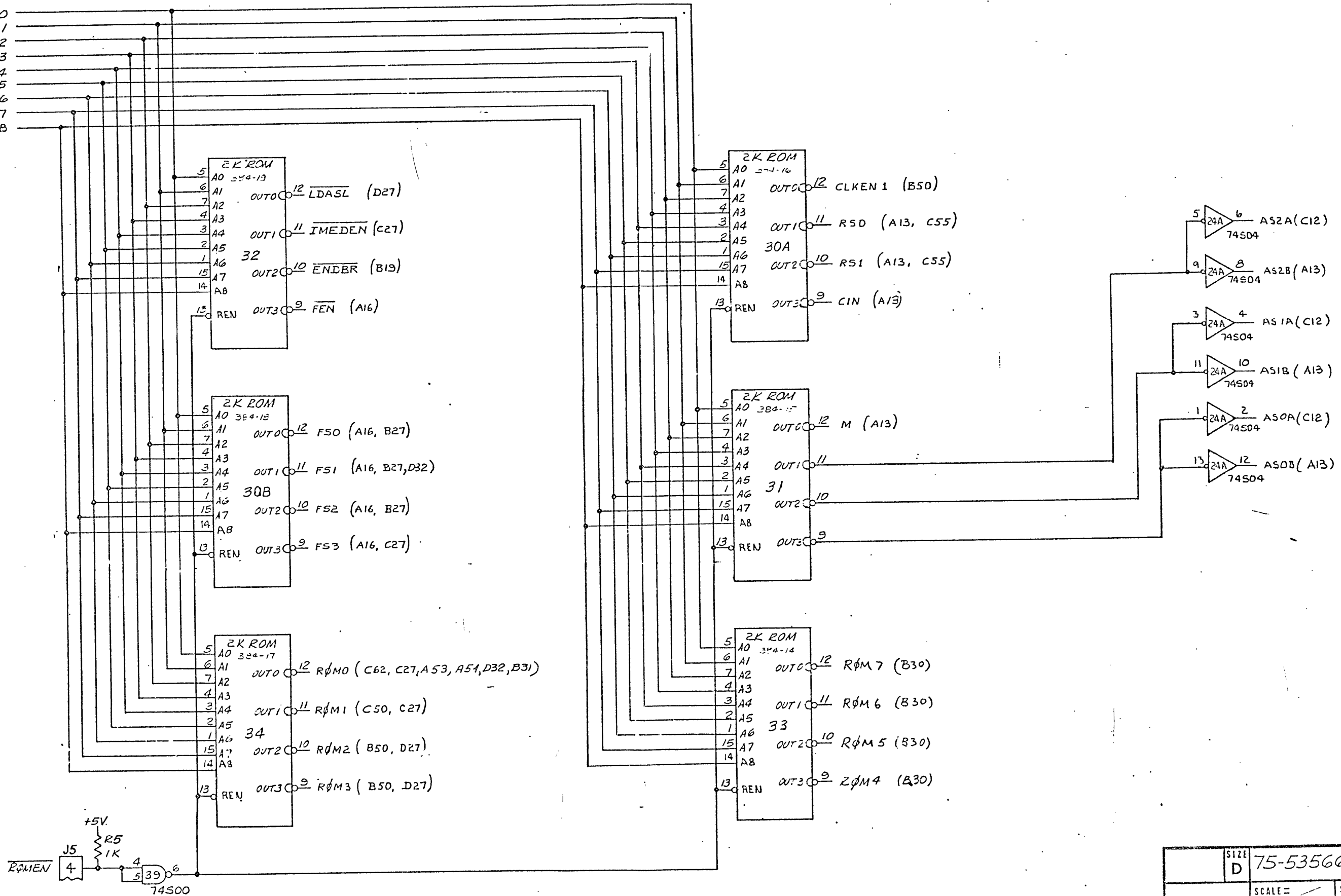


SIZE	D	75-53566-XX	REV	C.1
SCALE			SHT.	5 OF 8

PROPRIETARY RIGHTS NOTICE
 THIS DOCUMENT AND INFORMATION THAT IT CONTAINS ARE THE PROPERTY OF COMPUTER AUTOMATION, INC. RIGHTS TO DUPLICATE OR OTHERWISE COPY THIS DOCUMENT AND RIGHTS TO DISCLOSE THE DOCUMENT AND SUCH INFORMATION TO OTHERS AND THE RIGHT TO USE THE INFORMATION CONTAINED THEREIN, MAY BE ACQUIRED ONLY BY WRITTEN PERMISSION SIGNED BY A DULY AUTHORIZED OFFICER OF COMPUTER AUTOMATION, INC.

REVISIONS					
REV	DESCRIPTION	DR	CH	DATE	APPROVAL

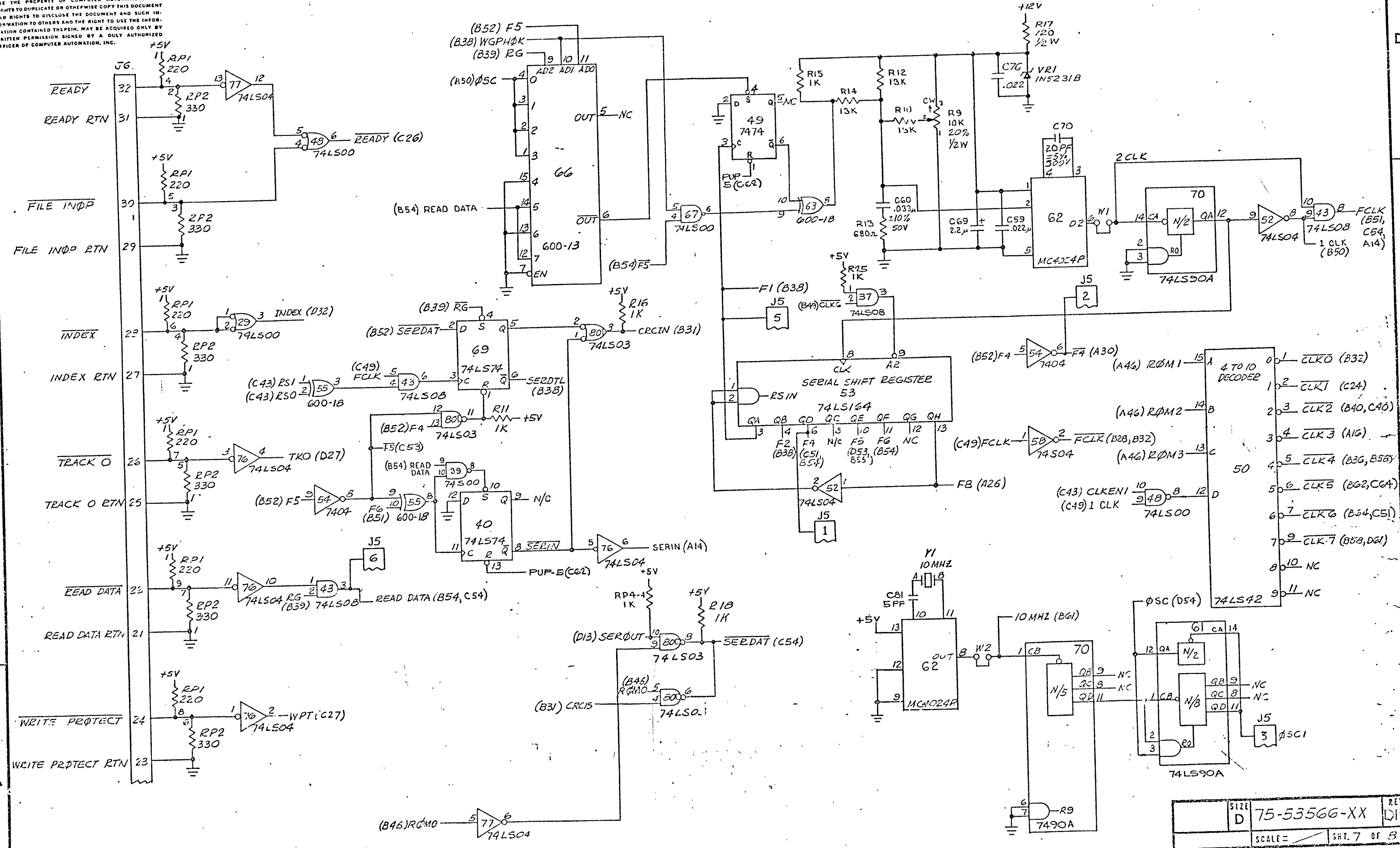
- (B27) RL00
- (B27) RL01
- (C27) RL02
- (C27) RL03
- (C27) RL04
- (C27) RL05
- (D27) RL06
- (D27) RL07
- (D27) RL08



SIZE D	75-53566-XX	REV D15
SCALE =	SHT. 6 OF 67	

PROPRIETARY RIGHTS NOTICE
 THIS DOCUMENT AND INFORMATION THAT IT CONTAINS ARE THE PROPERTY OF COMPUTER AUTOMATION, INC. RIGHTS TO DUPLICATE OR OTHERWISE COPY THIS DOCUMENT AND RIGHTS TO DISCLOSE THE DOCUMENT AND SUCH INFORMATION TO OTHERS AND THE RIGHT TO USE THE INFORMATION CONTAINED THEREIN, MAY BE ACQUIRED ONLY BY WRITTEN PERMISSION SIGNED BY A DULY AUTHORIZED OFFICER OF COMPUTER AUTOMATION, INC.

REVISIONS					
REV	DESCRIPTION	DR	CH	DATE	APPROVAL



SIZE	D	75-53566-XX	REV	D19
SCALE			SHT.	7 OF 8

15-53566-XX D19

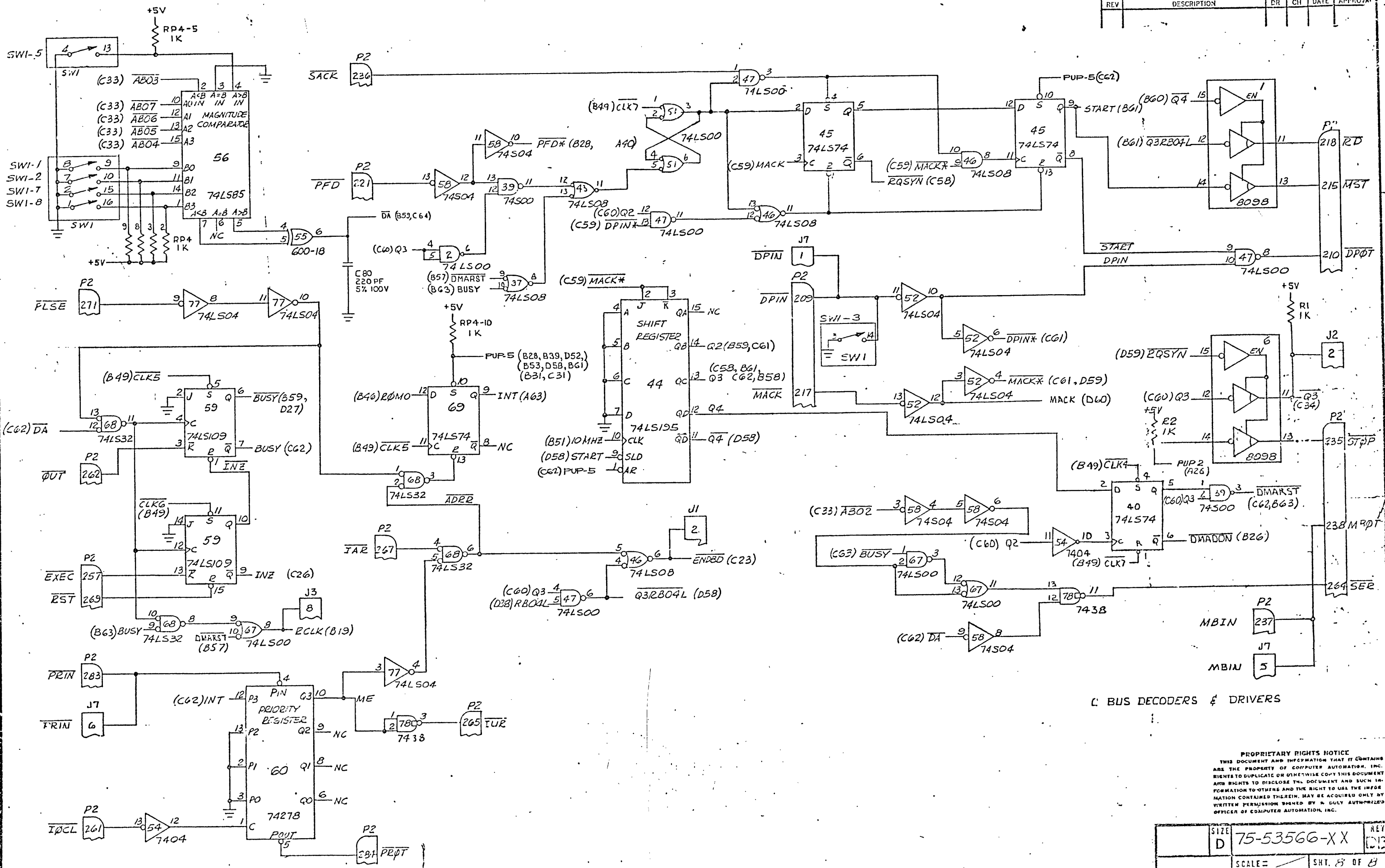
REVISIONS				
REV	DESCRIPTION	DR	CH	APPROVAL

D

C

B

A



C BUS DECODERS & DRIVERS

PROPRIETARY RIGHTS NOTICE
 THIS DOCUMENT AND THE INFORMATION THAT IT CONTAINS ARE THE PROPERTY OF COMPUTER AUTOMATION, INC. RIGHTS TO DUPLICATE OR OTHERWISE COPY THIS DOCUMENT AND RIGHTS TO DISCLOSE THE DOCUMENT AND SUCH INFORMATION TO OTHERS AND THE RIGHT TO USE THE INFORMATION CONTAINED THEREIN, MAY BE ACQUIRED ONLY BY WRITTEN PERMISSION GRANTED BY A DULY AUTHORIZED OFFICER OF COMPUTER AUTOMATION, INC.

SIZE	D	75-53566-XX	REV	012
SCALE	=		SHT.	8 OF 8