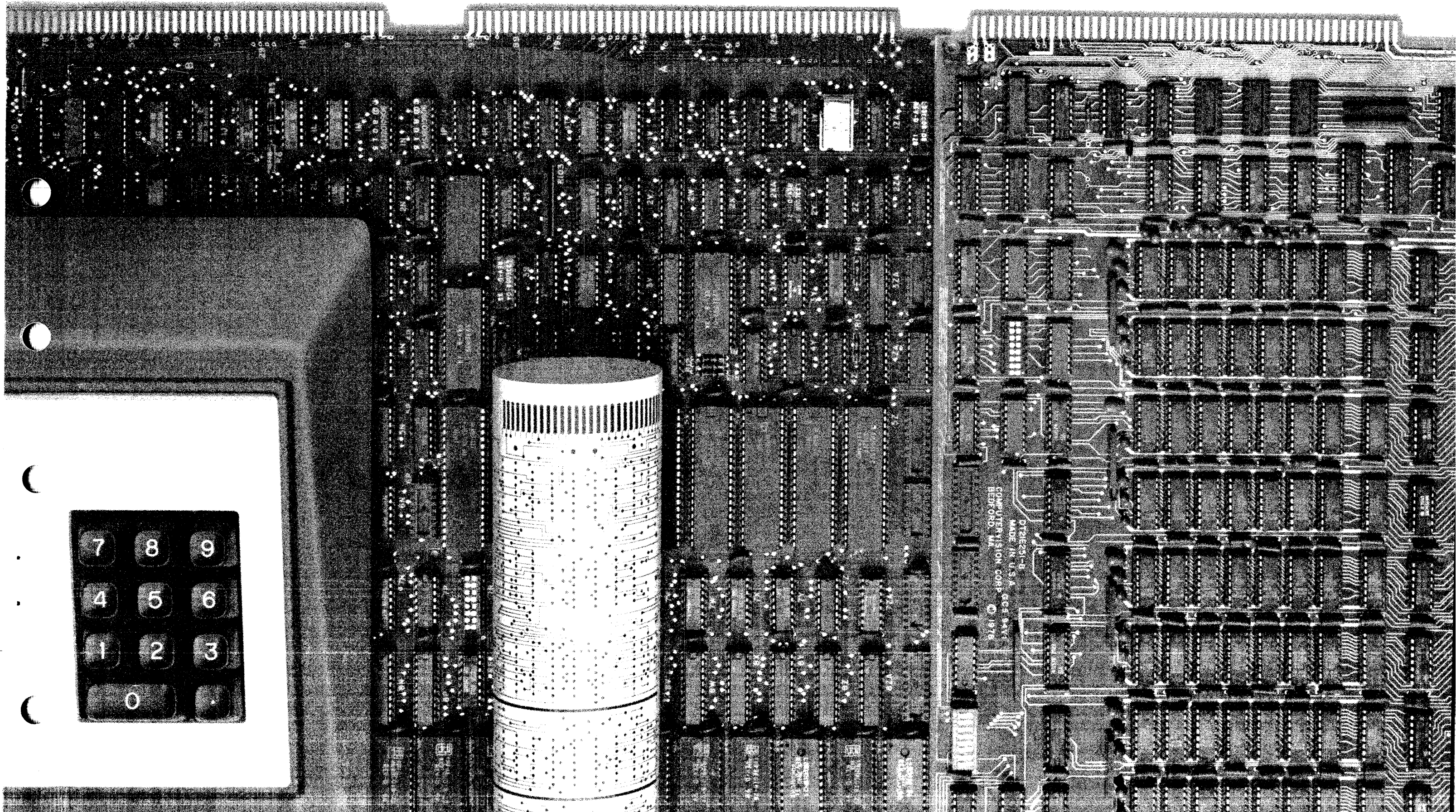


Extended Addressing Central Processing Unit (EACPU)/ Intelligent Control Panel (ICP)

Logic Diagrams

Technical



Extended Addressing Central Processing Unit (EACPU)/ Intelligent Control Panel (ICP) Logic Diagrams

COMPANY CONFIDENTIAL

The information and drawings contained herein are confidential and proprietary information of Computervision Corporation and shall not be divulged to any third party without the prior written consent of Computervision Corporation.
Reproduction in whole or in part is forbidden.

Registered trademarks of Computervision Corporation: Computervision and CV-Computervision logotype, Autoplacement[®], Autoroute[®], CADD[®], CGOS[®], CGP[®], Compucircuit[®], Designer[®], Instaview[®], PEP[®], and Telewriter[®].

Trademarks of Computervision Corporation: Advanced Surface Design[™], APU[™], Autolayout[™], Automeasure[™], Autonest[™], Autopunch[™], CAMACS[™], CIMplicity[™], CVMOS[™], DCU[™], Drafteze[™], Dynanest[™], Factoryvision[™], Graphaplan[™], Graphics Networking Architecture[™], Harnessdesign[™], Imagedesign[™], Moldbase[™], Moldesign[™], NC Vision[™], Robographix[™], Solidesign[™], Superplot[™], and VARPRO[™].

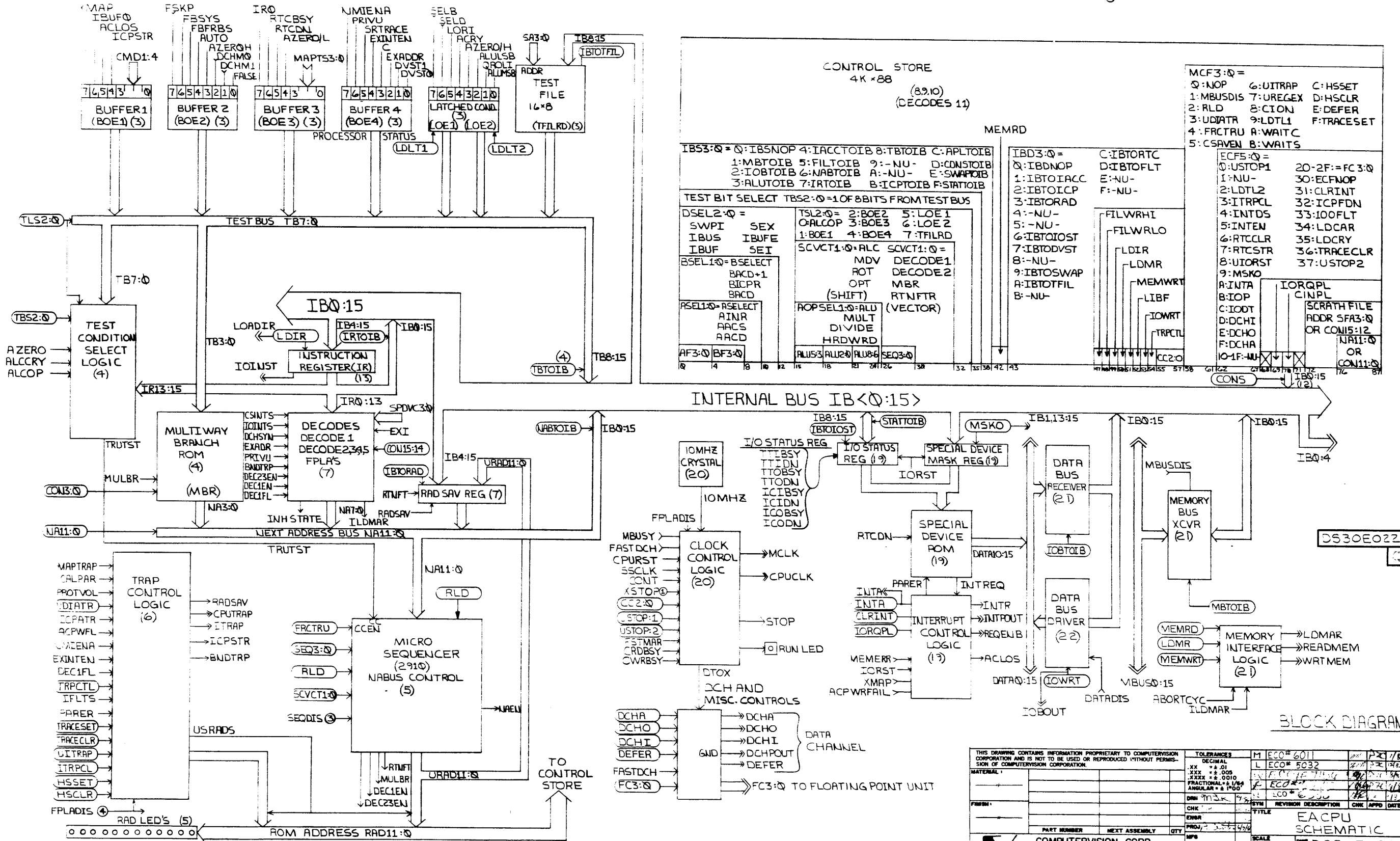
Trademarks of other companies:

- ADLPIPE is a trademark of DIS/ADLPIPE, Inc.
- COSMOS is a trademark of Structural Research and Analysis Corporation.
- Ethernet is a registered trademark of Xerox Corporation.
- IBM is a registered trademark of International Business Machines Corporation.
- UNIRAS is a registered trademark of European Software Contractors.
- GEOPAK, GIMAGE, KRIGPAK, RASPAK, SEISPAK are trademarks of European Software Contractors.
- Multibus is a registered trademark of Intel Corporation.
- Sun Microsystems and Sun Workstation are registered trademarks of Sun Microsystems, Inc.
- Sun and SunWindow are trademarks of Sun Microsystems, Inc.
- UNIX is a trademark of AT&T Bell Laboratories.

Section 1
Extended Addressing Central Processing Unit (EACPU)

Block Diagram (2 pages)
Test Bus Conditions
Test Condition Select, Shift Link
Microsequencer, RAD Buffer
Trap Logic, Trap Latches
Next Address Logic
Control Store, Low Order
Control Store, High Order
Pipeline Register
Microword Decode
ICP Access Register, APL PROMS, Constant Buffer
Scratch File, Instruction Register, Byte Swap
ALU Control Line Select
IBUF,IBUF MUX/DIN Control
RALU
Device Status,ION,Carry, Special Functions
Programmed I/O Logic
I/O Logic
Real Time Clock, Clock Control
Memory Bus Interface, Data Bus Receive
Data Bus Drivers
ICP Interface Control
ICP Interface

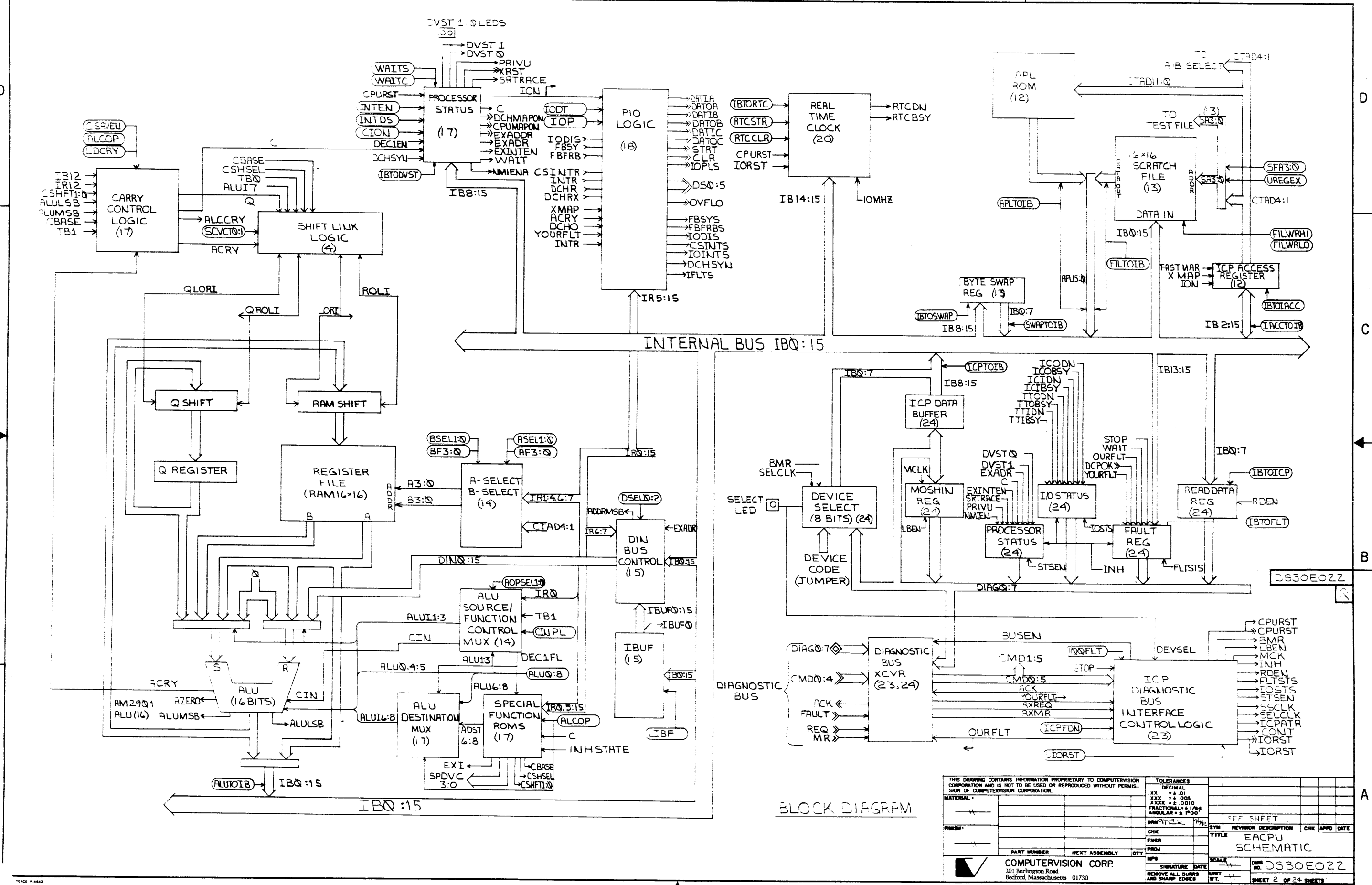
NOTES: MICROCODE BIT OR DIRECT DECODE (AS LISTED)
 OUTPUT FROM CPU BOARD
 INPUT TO CPU BOARD
 SCHEMATIC PAGE NUMBER
 TEST POINT



BLOCK DIAGRAM

THIS DRAWING CONTAINS INFORMATION PROPRIETARY TO COMPUTERVISION CORPORATION AND IS NOT TO BE USED OR REPRODUCED WITHOUT PERMISSION OF COMPUTERVISION CORPORATION.		TOLERANCES DECIMAL .XX ±.01 .XXX ±.005 .XXXX ±.0010 FRACTIONAL ± 1/64 ANGULAR ± 1°00'	M ECO# 6011	DATE 12/7/63
MATERIAL:			L ECO# 5032	DATE 12/12/63
FURNISH:			ECO# 5032	DATE 12/12/63
PART NUMBER		NEXT ASSEMBLY	QTY	TITLE
COMPUTERVISION CORP.				EACPU SCHEMATIC
201 Burlington Road Bedford, Massachusetts 01730				SCALE
SIGNATURE DATE				DRW NO. DS30E022
REMOVE ALL BURRS AND SHARP EDGES				UNIT WT.
				SHEET 1 OF 24 SHEETS

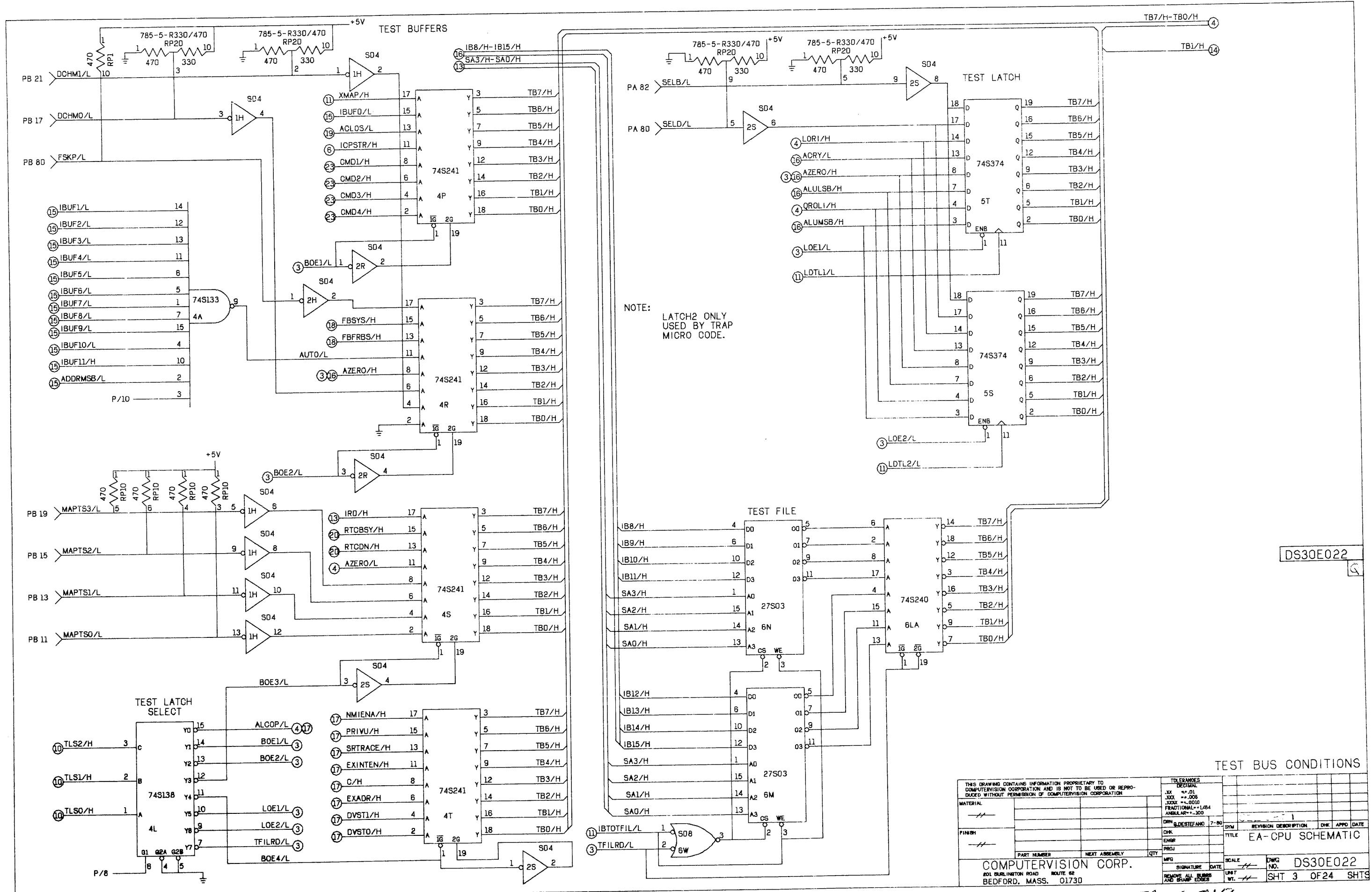
WAFRANCE P.4442



D
C
B
A

BLOCK DIAGRAM

THIS DRAWING CONTAINS INFORMATION PROPRIETARY TO COMPUTERVISION CORPORATION AND IS NOT TO BE USED OR REPRODUCED WITHOUT PERMISSION OF COMPUTERVISION CORPORATION.		TOLERANCES	
MATERIAL:		XX	DECIMAL
FRM:		.XXX	+/- .01
ENGR:		.XXX	+/- .005
PRG:		FRACTIONAL	+/- .010
PART NUMBER		ANGULAR	+/- 1/64
NEXT ASSEMBLY		QTY	POO
MFG		SEE SHEET 1	
SIGNATURE DATE		SYM	REVISION DESCRIPTION
REMOVE ALL DIMS AND SHARP EDGES		CHK	CHK APPD DATE
SCALE		TITLE	
DWG NO. DS30E022		EACPU SCHEMATIC	
SHEET 2 OF 24 SHEETS			

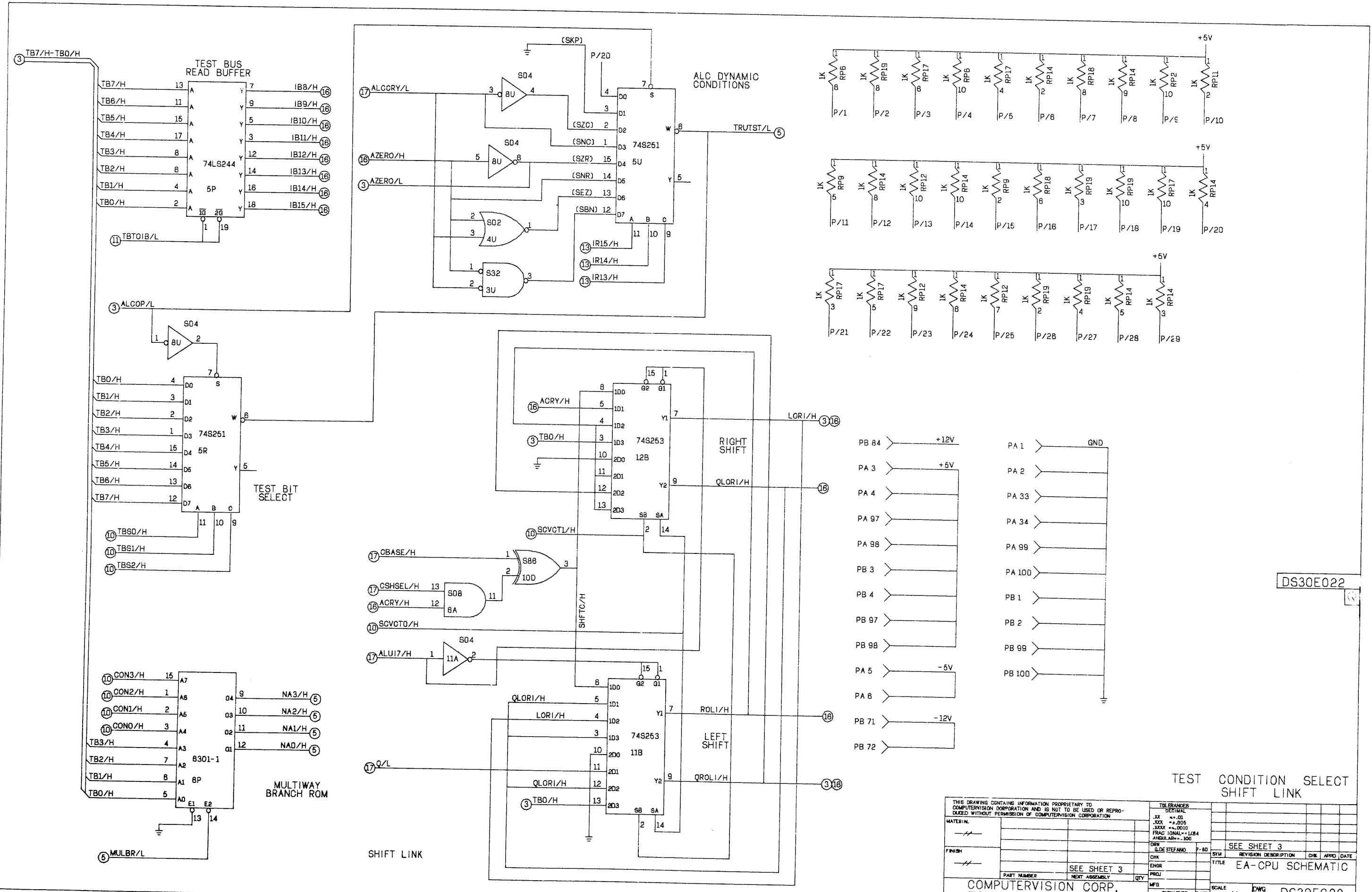


DS30E022

TEST BUS CONDITIONS

THIS DRAWING CONTAINS INFORMATION PROPRIETARY TO COMPUTERVISION CORPORATION AND IS NOT TO BE USED OR REPRODUCED WITHOUT PERMISSION OF COMPUTERVISION CORPORATION.		TOLERANCES DECIMAL XX .XX ±.01 XXX ±.005 XXXX ±.0010 FRACTIONAL ±1/64 ANGULAR ±.300			
MATERIAL		DRN	ALDSTEFANO	7-80	SYM
FINISH		ENGR			REVISION DESCRIPTION
		PROJ			CHK APPD DATE
PART NUMBER		NEXT ASSEMBLY		QTY	
COMPUTERVISION CORP.		SCALE		DWG NO.	
201 BURLINGTON ROAD ROUTE 62 BEDFORD, MASS. 01730		SIGNATURE DATE		SHT 3 OF 24 SHTS	

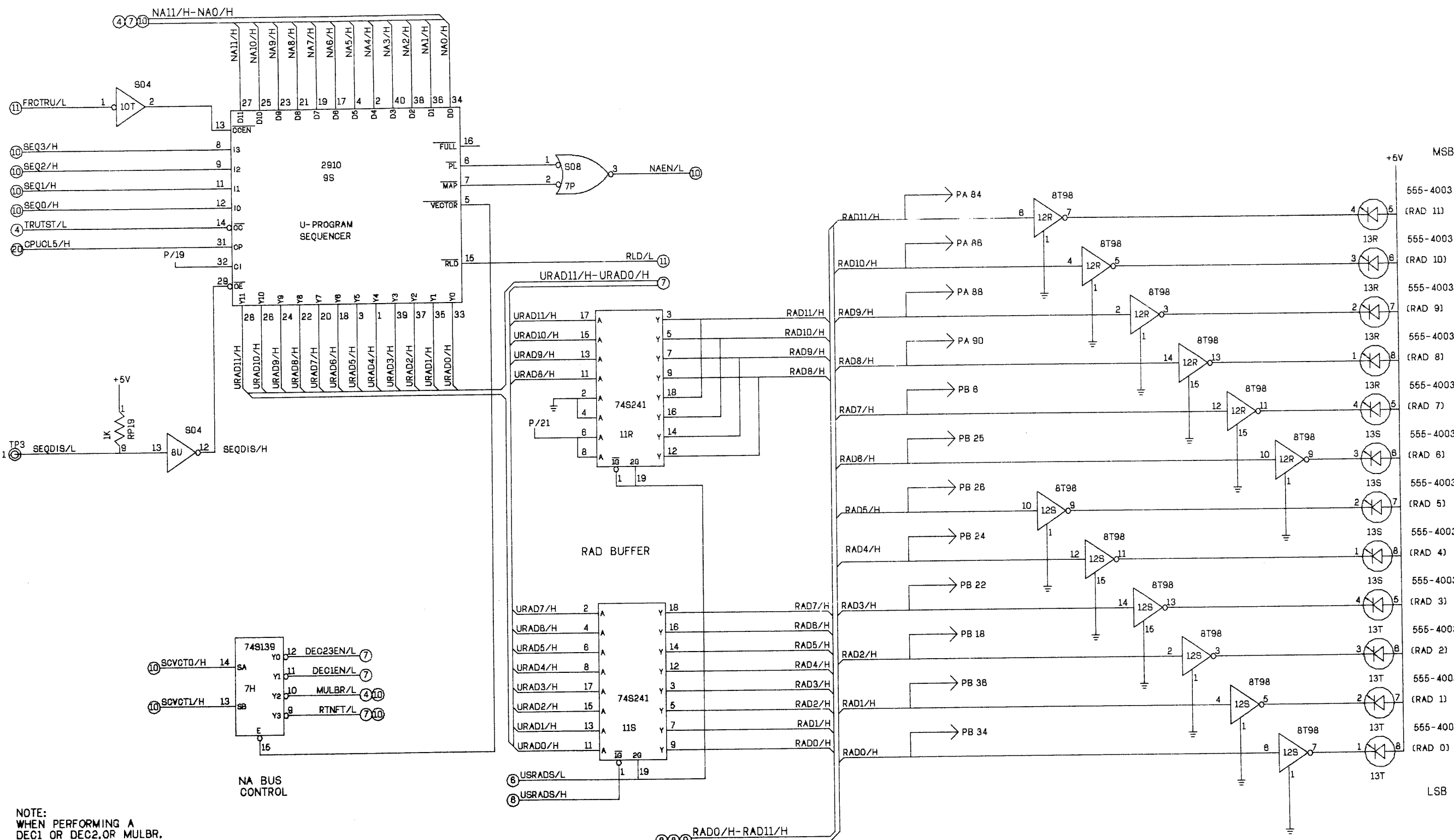
TAI 0156



DS30E022

TEST CONDITION SELECT
SHIFT LINK

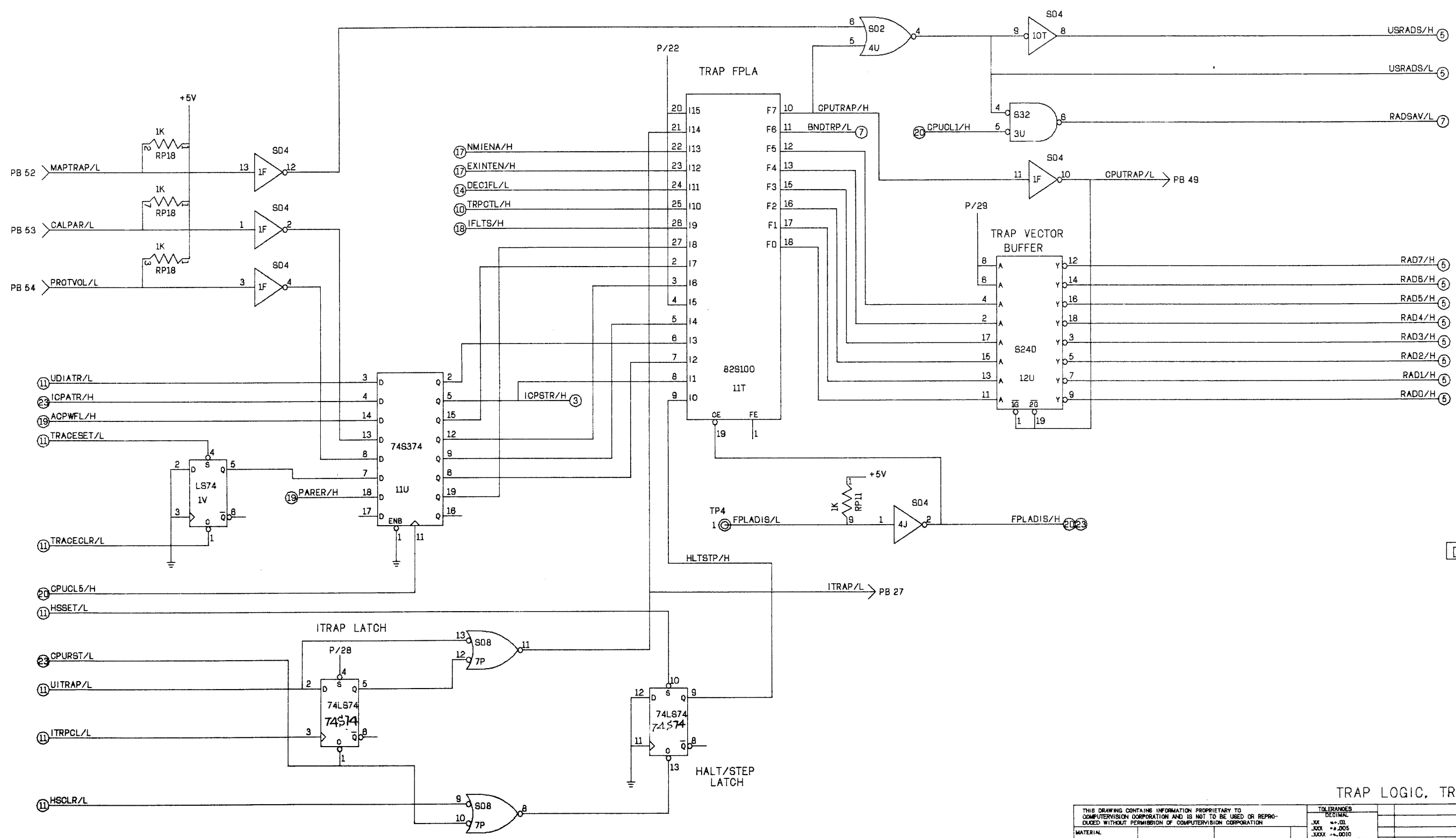
THIS DRAWING CONTAINS INFORMATION PROPRIETARY TO COMPUTERVISION CORPORATION AND IS NOT TO BE USED OR REPRODUCED WITHOUT PERMISSION OF COMPUTERVISION CORPORATION		TOLERANCES			
		DECIMAL			
		.XX		+.01	
		.XXX		+.005	
		.XXXX		+.0010	
		FRAC (UNL)		1/24	
		ANGULAR		+.000	
MATERIAL		DWG	SEE SHEET 3	SYN	
FINISH		CHK	SEE SHEET 3	ENGR	
		PROJ			
COMPUTERVISION CORP.		SCALE		DWG NO.	
201 BURLINGTON ROAD ROUTE 62		UNIT		DS30E022	
BEDFORD, MASS. 01730		WT.		SHT 4 OF 24 SHTS	



NOTE:
 WHEN PERFORMING A
 DEC1 OR DEC2, OR MULBR,
 OR RTNFT, THE SEQUENCER
 FUNCTION SELECTED MUST
 CAUSE THE VECTOR SIGNAL
 TO BE ASSERTED.

MICRO SEQUENCER, RAD BUFFER

THIS DRAWING CONTAINS INFORMATION PROPRIETARY TO COMPUTERVISION CORPORATION AND IS NOT TO BE USED OR REPRO- DUCED WITHOUT PERMISSION OF COMPUTERVISION CORPORATION		TOLERANCES DIMENSIONAL XXX ±.01 XXX ±.005 XXX ±.001 FRACTIONAL ±1/64 ANGULAR ±.300			
MATERIAL		DRN GLODSTEFANO	P-80	REV	REVISION DESCRIPTION
FINISH		ENGR		DATE	ONE APPD DATE
PART NUMBER	SEE SHEET 3	PROJ		TITLE EA-CPU SCHEMATIC	
COMPUTERVISION CORP. 801 BURLINGTON ROAD ROUTE 82 BEDFORD, MASS. 01730		SIGNATURE	DATE	SCALE	DWG NO. DS30E022
		REMOVE ALL BURRS AND SHARP EDGES	UNIT	SHT 5 OF 24 SHTS	

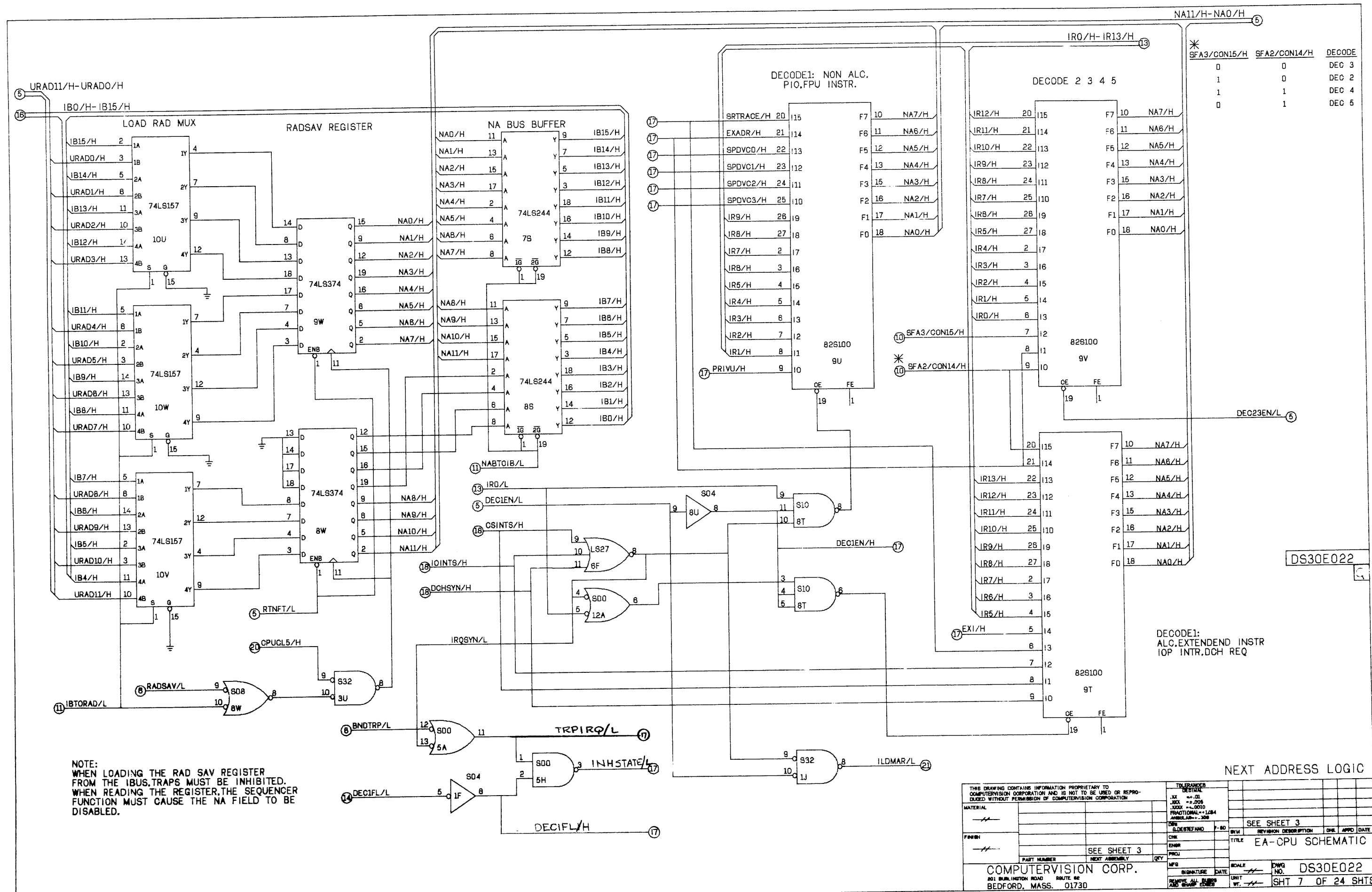


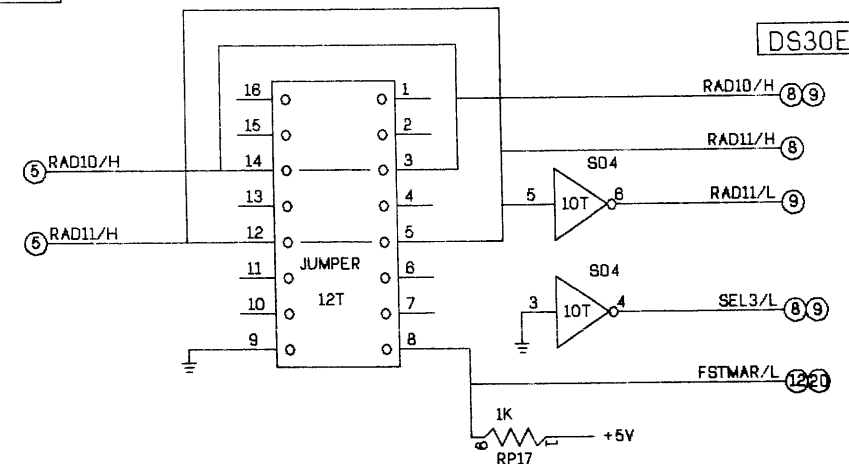
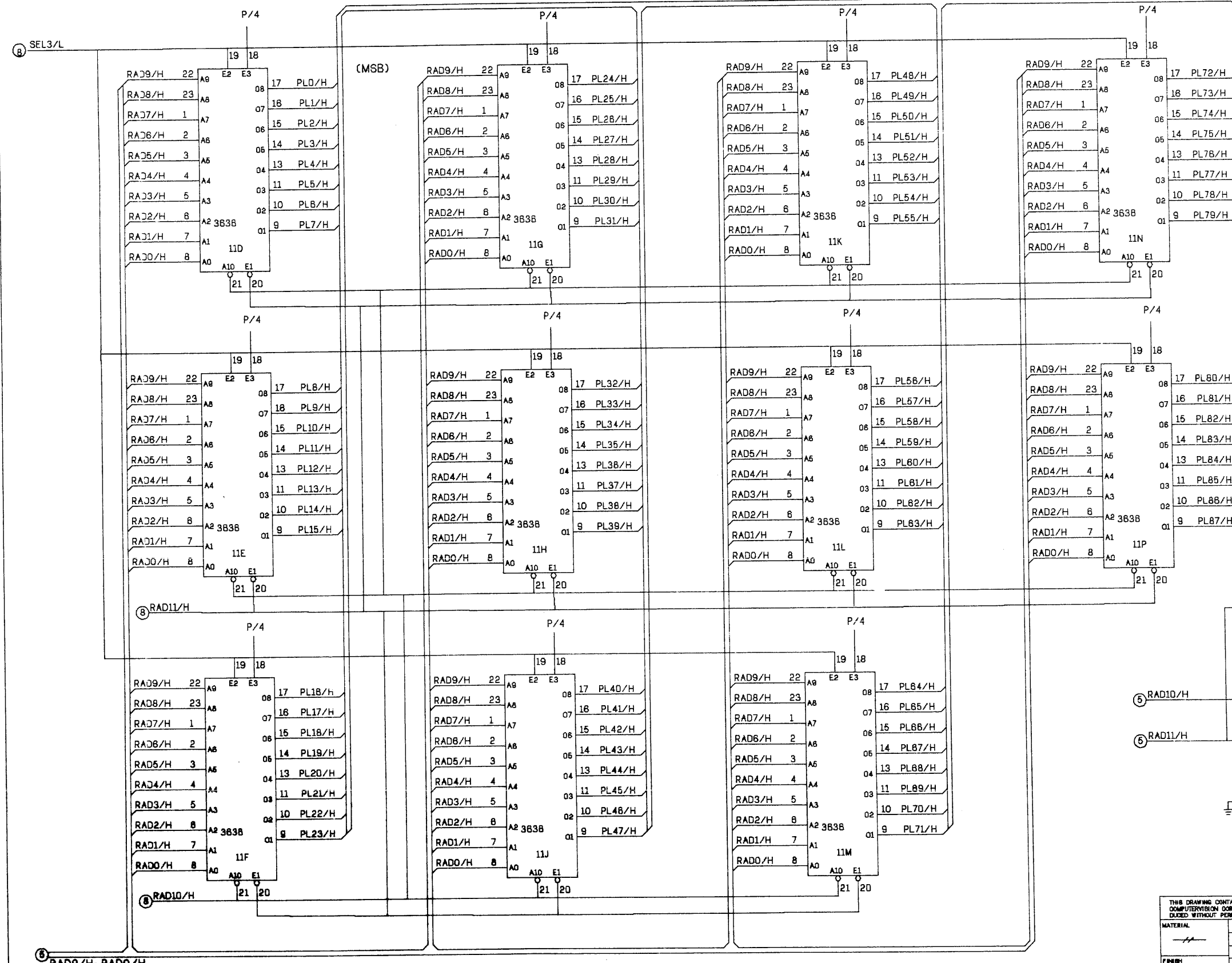
DS30E022

TRAP LOGIC, TRAP LATCHES

NOTE:
DCH TRAP
REQUEST NOT ALLOWED
DURING MEM ACCESS
ALL OTHER TRAPS MAY
BE SERVICED

THIS DRAWING CONTAINS INFORMATION PROPRIETARY TO COMPUTERVISION CORPORATION AND IS NOT TO BE USED OR REPRODUCED WITHOUT PERMISSION OF COMPUTERVISION CORPORATION		TOLERANCES DECIMAL JXX ±.01 XXX ±.005 XXXX ±.0010 FRACTIONAL ± 1/64 ANGULAR ± .300		SEE SHEET 3	
MATERIAL		DWG. S. DESENFANO	P-80	BY	REVISION DESCRIPTION
FINISH		ENGR.			EA-CPU SCHEMATIC
		PROJ.			
PART NUMBER	NEXT ASSEMBLY	QTY			
COMPUTERVISION CORP. 801 BURLINGTON ROAD BEDFORD, MASS. 01730			SIGNATURE	DATE	SCALE
					DWG. NO. DS30E022
			REMOVE ALL BURRS AND SWAMP EDGES	UNIT WT.	SHT 6 OF 24 SHTS



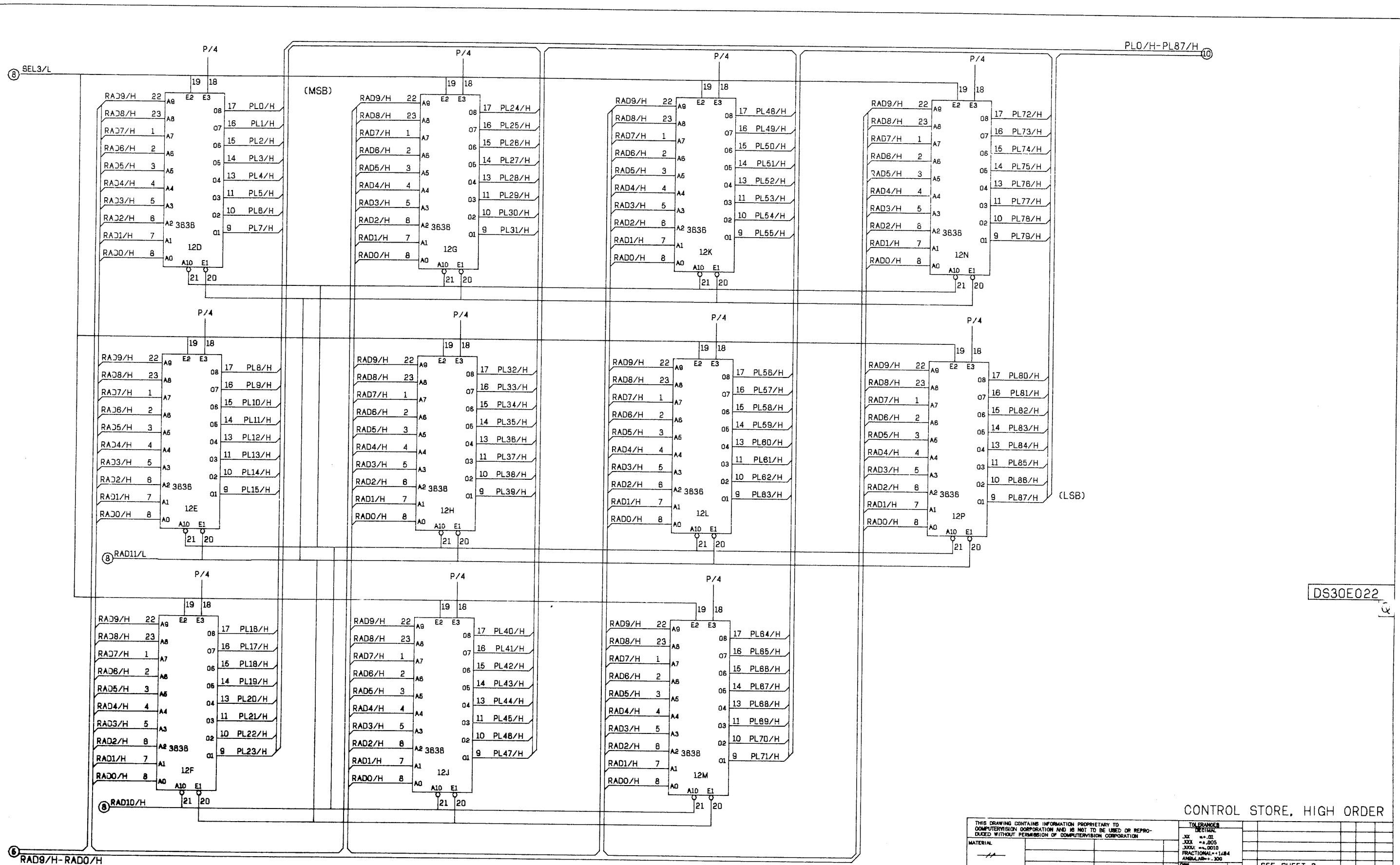


CONTROL STORE, LOW ORDER

<p>THIS DRAWING CONTAINS INFORMATION PROPRIETARY TO COMPUTERVISION CORPORATION AND IS NOT TO BE USED OR REPRODUCED WITHOUT PERMISSION OF COMPUTERVISION CORPORATION</p>		<p>TOLERANCES UNLESS OTHERWISE SPECIFIED: DECIMAL: .005 FRACTIONAL: 1/64 ANGULAR: .001</p>	
MATERIAL		DATE	REV. NO.
FINISH		CHK	REV. NO.
		ENGR	REV. NO.
		PROJ	REV. NO.
		QTY	REV. NO.
		UNIT	REV. NO.
		SCALE	REV. NO.
		DWG. NO.	REV. NO.
		SHT	REV. NO.

COMPUTERVISION CORP.
 201 BURLINGTON ROAD ROUTE 62
 BEDFORD, MASS. 01730

SEE SHEET 3
 SEE SHEET 3
 DS30E022
 SHT 8 OF 24 SHTS



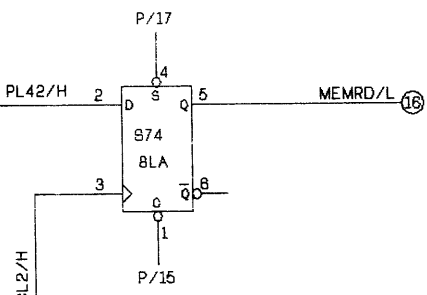
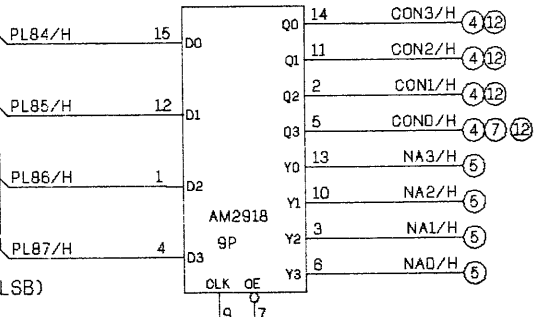
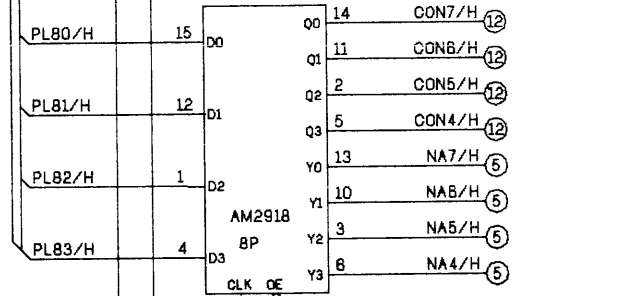
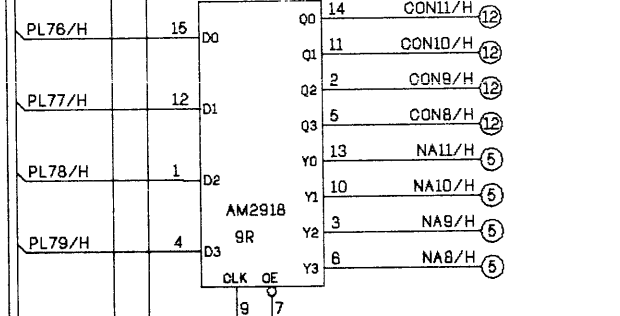
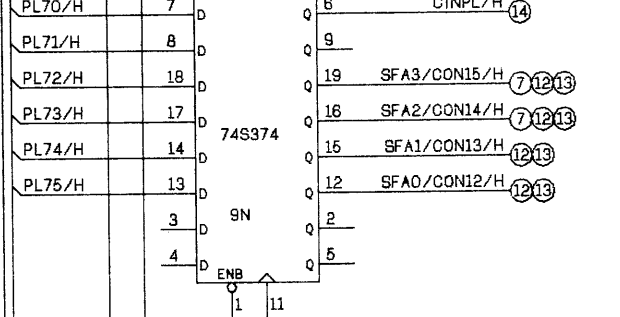
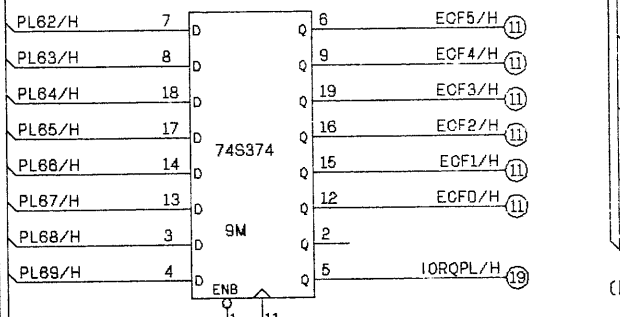
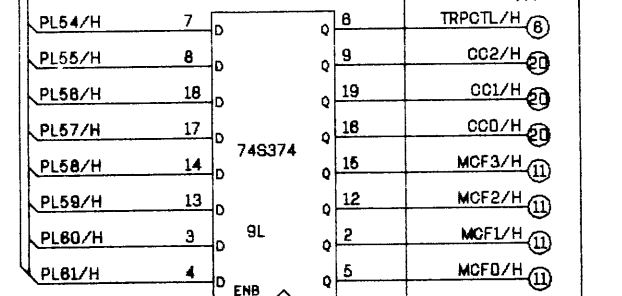
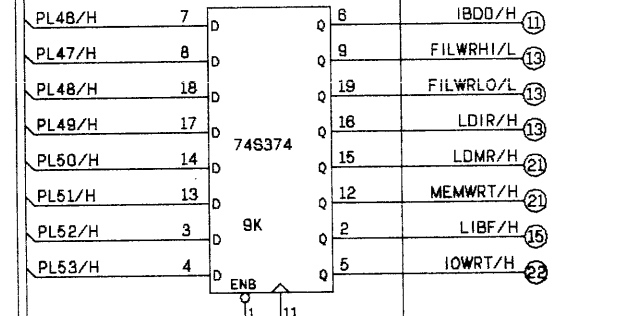
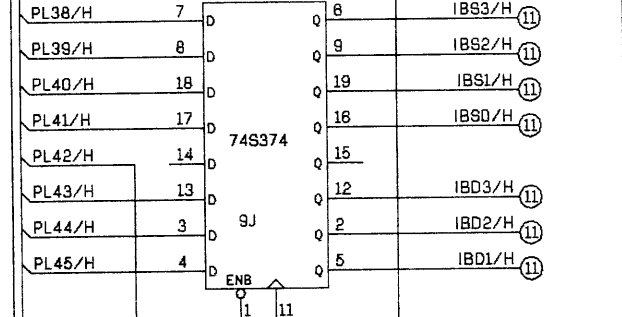
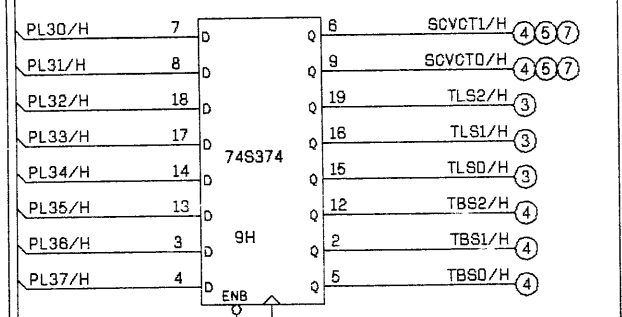
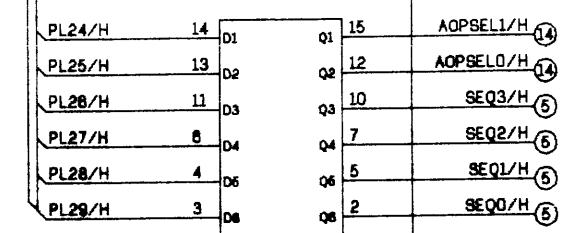
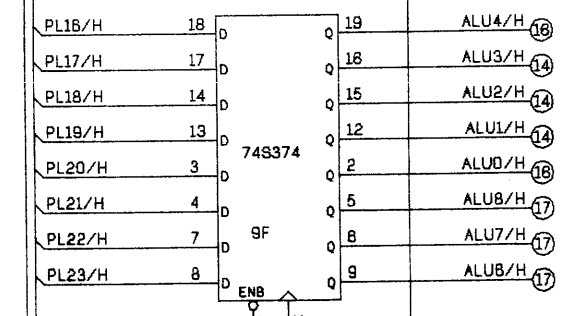
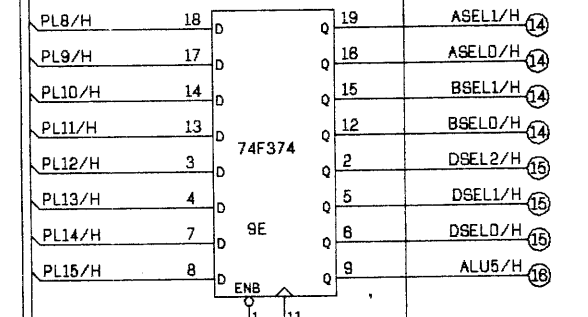
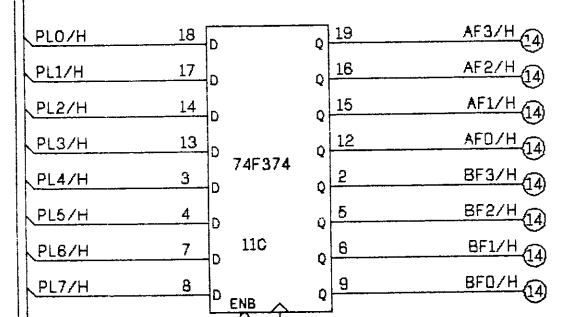
CONTROL STORE, HIGH ORDER

DS30E022

THIS DRAWING CONTAINS INFORMATION PROPRIETARY TO COMPUTERTVISION CORPORATION AND IS NOT TO BE USED OR REPRODUCED WITHOUT PERMISSION OF COMPUTERTVISION CORPORATION		TOLERANCES UNLESS SPECIFIED	
MATERIAL	XXX	XX	XX
FINISH	SEE SHEET 3	ENG	PRG
PART NUMBER	SEE SHEET 3	SCALE	DWG NO.
NEXT ASSEMBLY	SEE SHEET 3	UNIT	SHT 9 OF 24 SHTS
QTY		DATE	
COMPUTERTVISION CORP.		BEDFORD, MASS. 01730	

8 9

(MSB)



* RESERVED FOR FUTURE USE

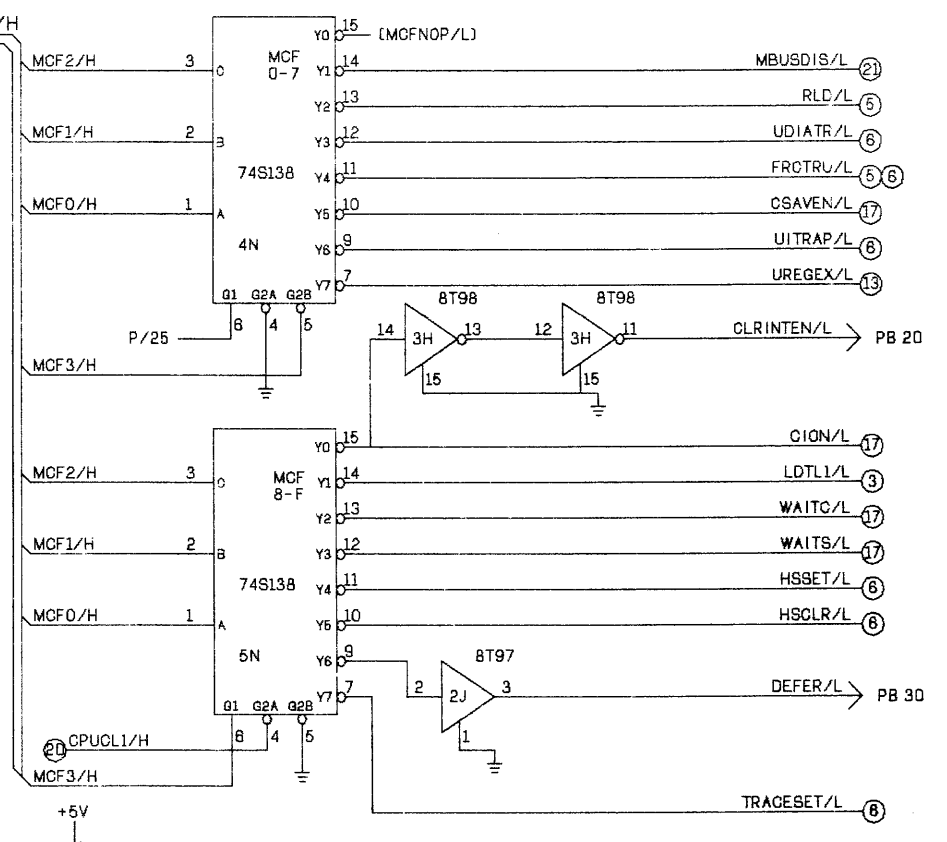
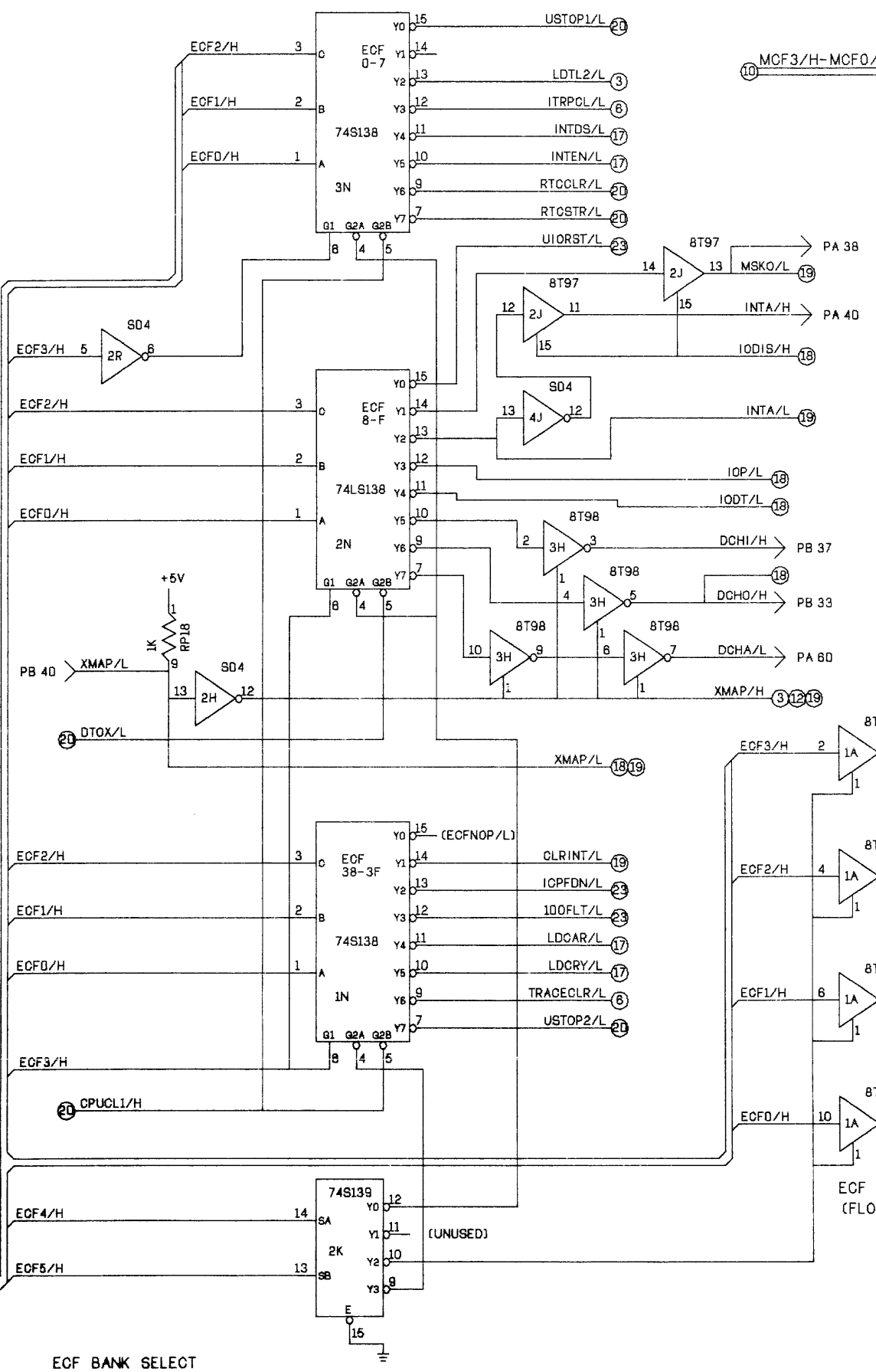
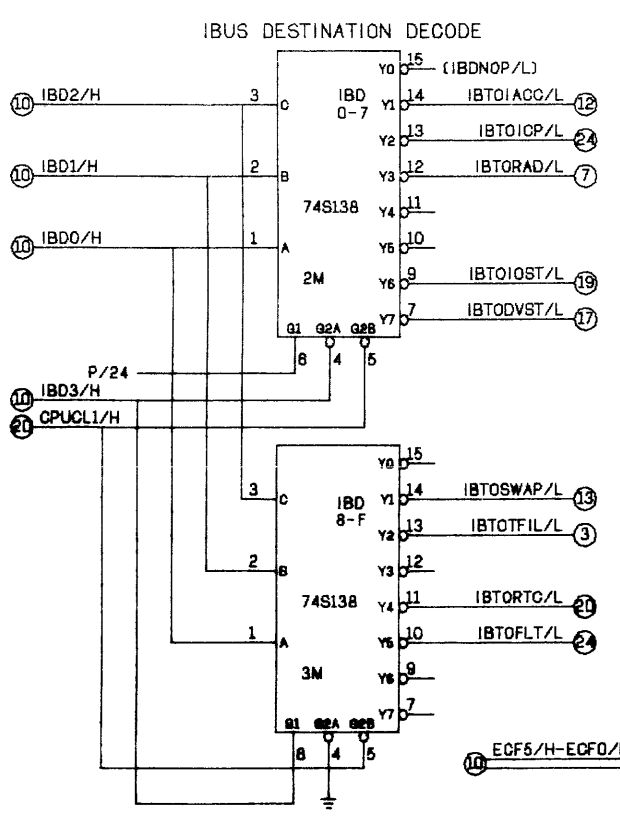
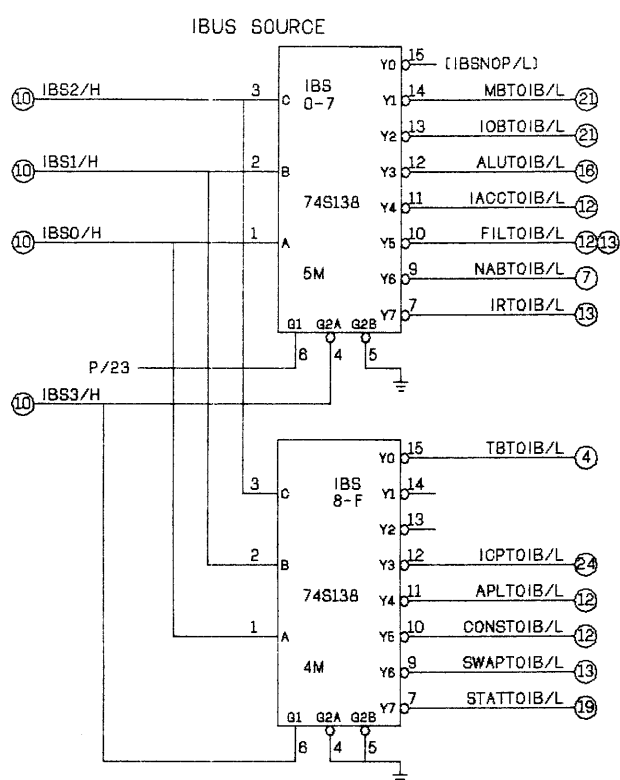
DS30E022

PIPELINE REGISTER

THIS DRAWING CONTAINS INFORMATION PROPRIETARY TO COMPUTERVISION CORPORATION AND IS NOT TO BE USED OR REPRODUCED WITHOUT PERMISSION OF COMPUTERVISION CORPORATION				TOLERANCES UNLESS OTHERWISE SPECIFIED: DIM: .005 DIM: .001 DIM: .0005 DIM: .0002 DIM: .0001		DATE: 11/24/84 DRAWN BY: J. B. BROWN CHECKED BY: J. B. BROWN PART NUMBER: 904 NEXT ASSEMBLY: 904		SCALE: 1:1 DWC NO.: DS30E022 SHT 10 OF 24 SHTS	
MATERIAL	FINISH	DATE	REV	DESCRIPTION	DATE	BY	APP'D	SEE SHEET 3	
								EA-CPU SCHEMATIC	
COMPUTERVISION CORP. 801 BURLINGTON ROAD BEDFORD, MASS. 01730				SIGNATURE		DATE	SCALE	DWG NO.	DS30E022

EXTERNAL CONTROL FIELD
DECODE

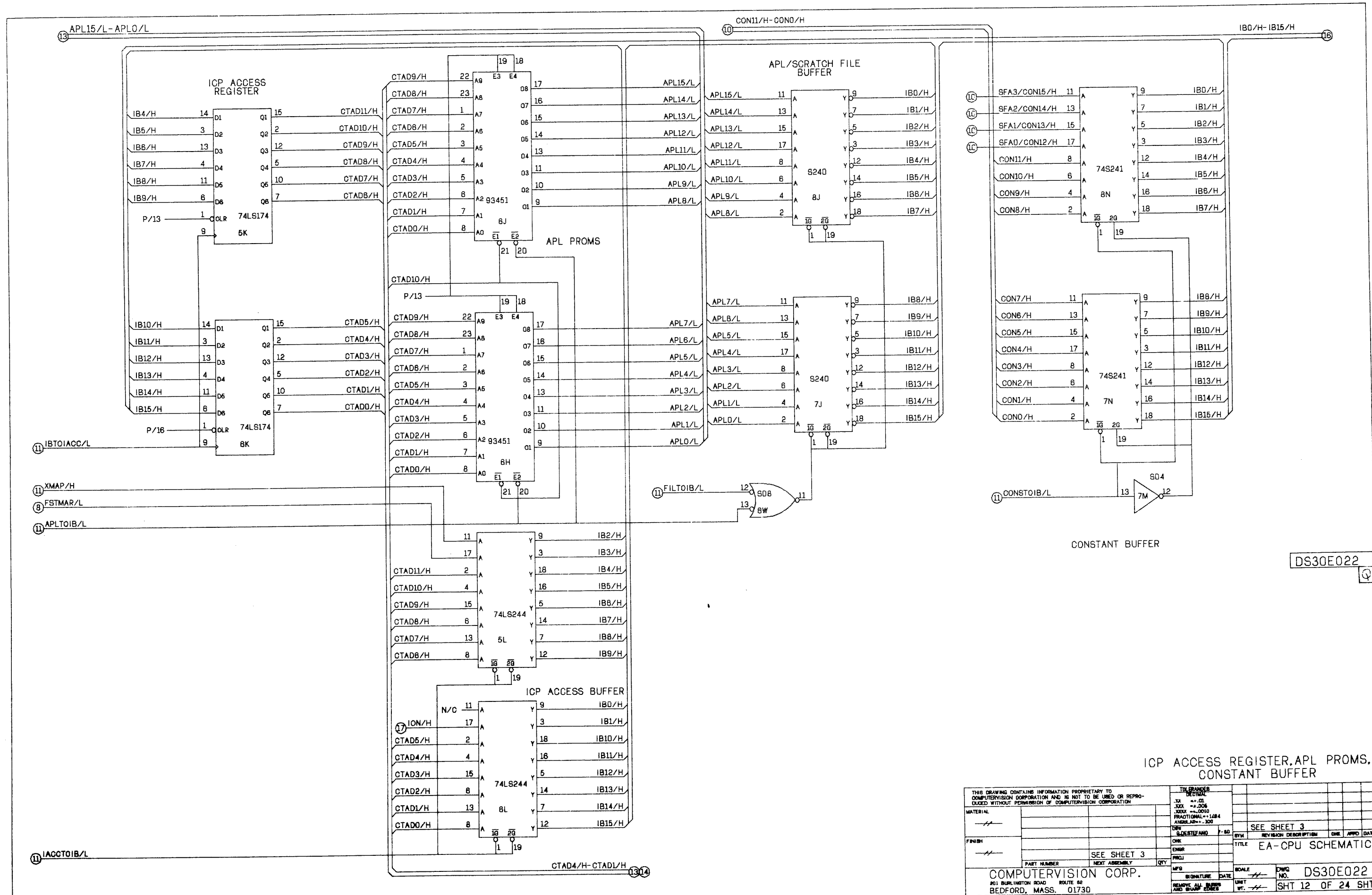
MISC CONTROL FIELD
DECODE



DS30E022

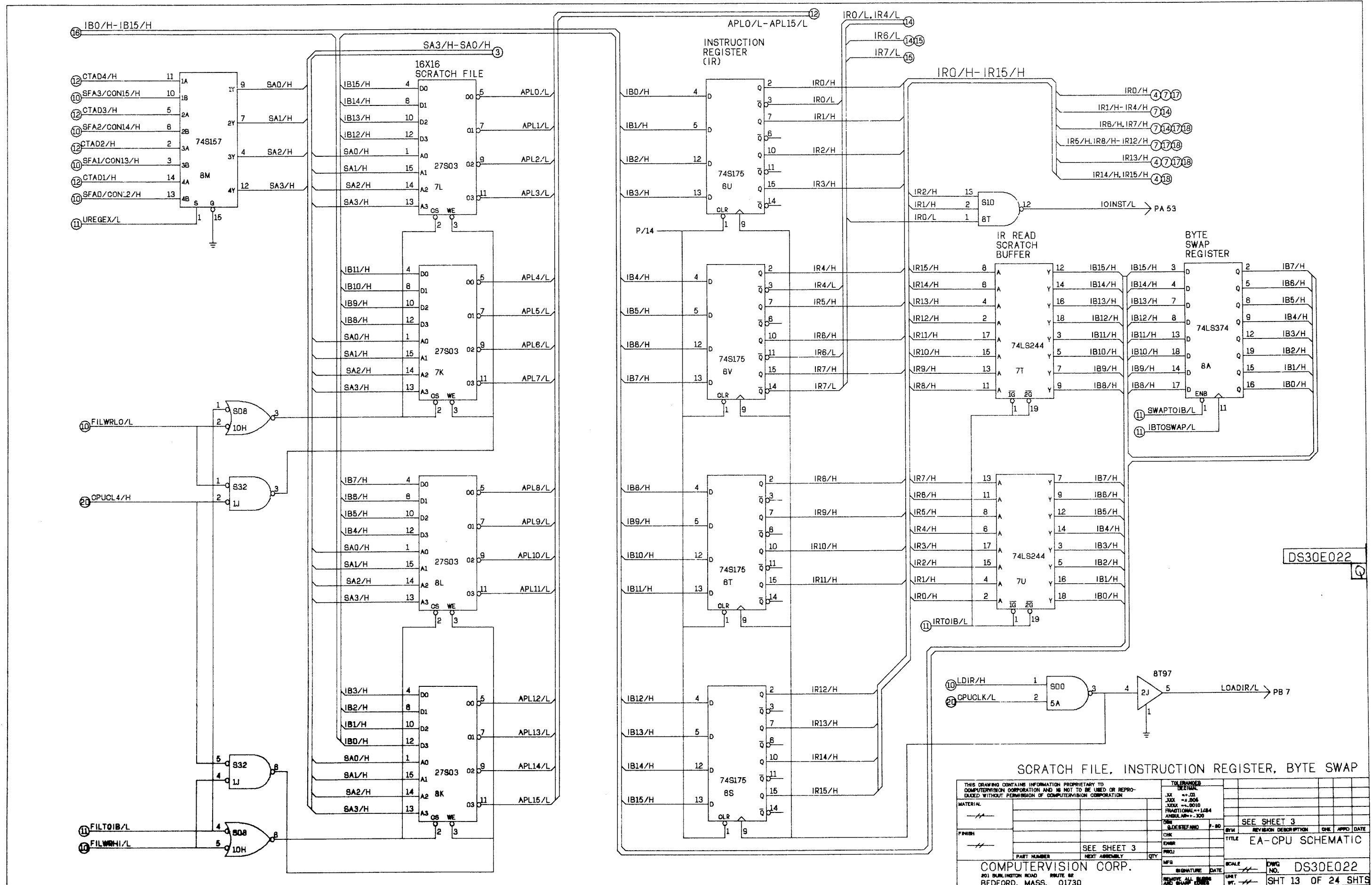
MICRO WORD DECODES

THIS DRAWING CONTAINS INFORMATION PROPRIETARY TO COMPUTERVISION CORPORATION AND IS NOT TO BE USED OR REPRODUCED WITHOUT PERMISSION OF COMPUTERVISION CORPORATION		TOLBRANDED			
		DESIGN			
		JXX		= 00	
		JXXX		= 005	
		FRACATIONAL		= 1/254	
		MINI.LAB		= 300	
		CHK		F-80	
		SIDENTFNO		BYM	
		ENBR		REVISION DESCRIPTION	
		PROJ		CHK	
		PART NUMBER		APPRO DATE	
		NEXT ASSEMBLY		QTY	
		MFR		SCALE	
		SIGNATURE		DATE	
		UNITE		DWG NO.	
		WT.		DS30E022	
				SHT 11 OF 24 SHTS	



ICP ACCESS REGISTER, APL PROMS, CONSTANT BUFFER

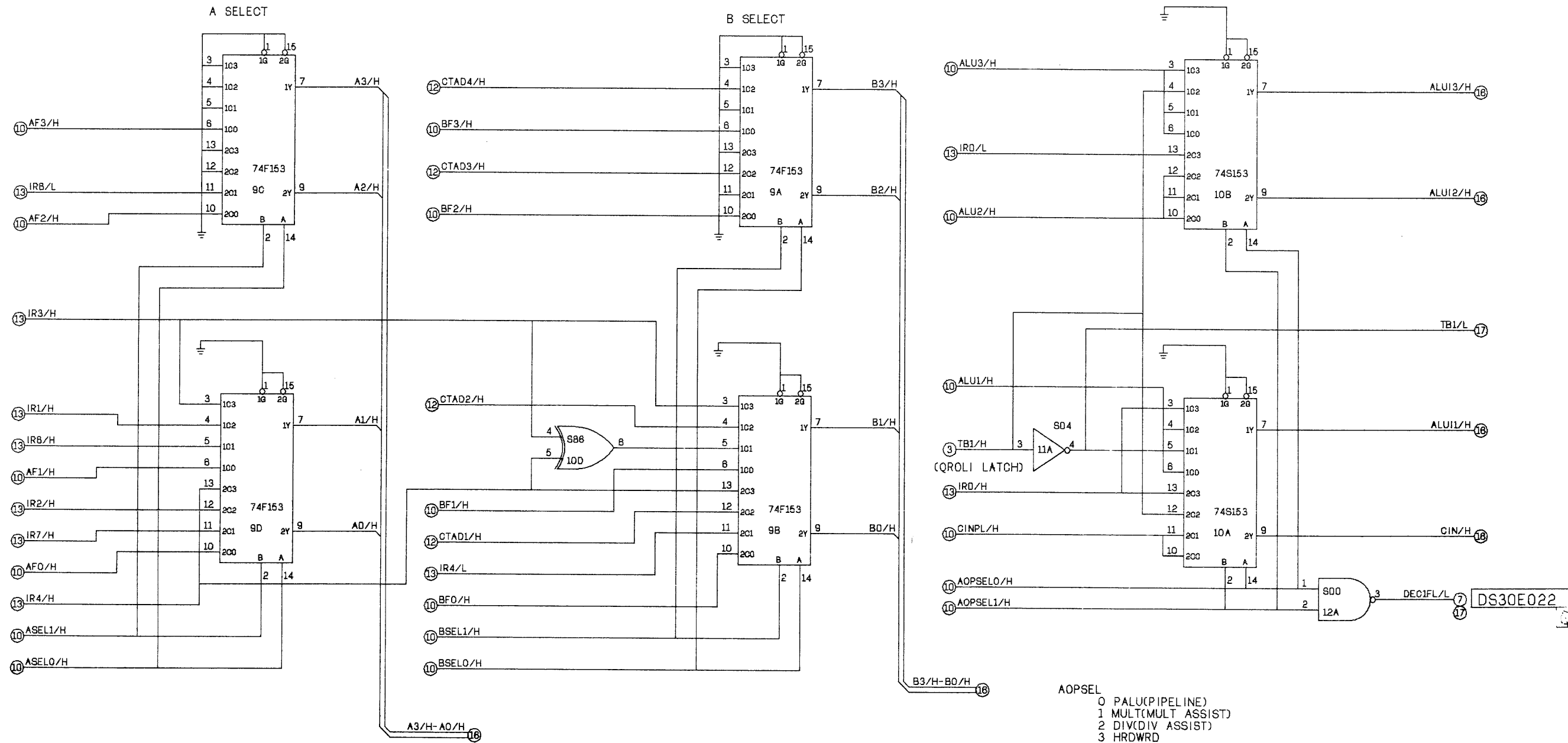
THIS DRAWING CONTAINS INFORMATION PROPRIETARY TO COMPUTERVISION CORPORATION AND IS NOT TO BE USED OR REPRODUCED WITHOUT PERMISSION OF COMPUTERVISION CORPORATION		TOLERANCES UNLESS OTHERWISE SPECIFIED XXX = .03 XXX = .006 XXX = .0010 FRACTIONAL = 1/16 INCH ANGULAR = .300		SEE SHEET 3	
MATERIAL		DRW	SCALE	BY	REV
FINISH		CHK			
		ENGR			
		PRGR			
PART NUMBER	SEE SHEET 3	QTY			
COMPUTERVISION CORP. 201 BURLINGTON ROAD ROUTE 82 BEDFORD, MASS. 01730		SIGNATURE	DATE	SCALE	DWG NO. DS30E022
		REMOVE ALL DIMS AND SHARP EDGES	UNIT		SHT 12 OF 24 SHTS



DS30E022

SCRATCH FILE, INSTRUCTION REGISTER, BYTE SWAP

THIS DRAWING CONTAINS INFORMATION PROPRIETARY TO COMPUTERVERSION CORPORATION AND IS NOT TO BE USED OR REPRODUCED WITHOUT PERMISSION OF COMPUTERVERSION CORPORATION.		TOLERANCES UNLESS OTHERWISE SPECIFIED: DIMENSIONAL: .005, .010, .015, .020, .030, .040, .050, .060, .070, .080, .090, .100, .125, .150, .200, .250, .300, .400, .500, .600, .750, 1.000, 1.250, 1.500, 2.000, 2.500, 3.000, 4.000, 5.000, 6.000, 8.000, 10.000, 12.500, 15.000, 20.000, 25.000, 30.000, 40.000, 50.000, 60.000, 80.000, 100.000, 125.000, 150.000, 200.000, 250.000, 300.000, 400.000, 500.000, 600.000, 800.000, 1000.000. ANGLES: .125, .250, .500, 1.000, 1.500, 2.000, 3.000, 4.000, 5.000, 6.000, 8.000, 10.000, 12.500, 15.000, 20.000, 25.000, 30.000, 40.000, 50.000, 60.000, 80.000, 100.000.	
MATERIAL:	FINISH:	DATE:	SCALE:
SEE SHEET 3	SEE SHEET 3	DATE	SCALE
PART NUMBER: SEE SHEET 3 NEXT ASSEMBLY:		TITLE: EA-CPU SCHEMATIC	
COMPUTERVERSION CORP. 201 BURLINGTON ROAD, SUITE 82 BEDFORD, MASS. 01730		DWG NO. DS30E022 SHT 13 OF 24 SHTS	



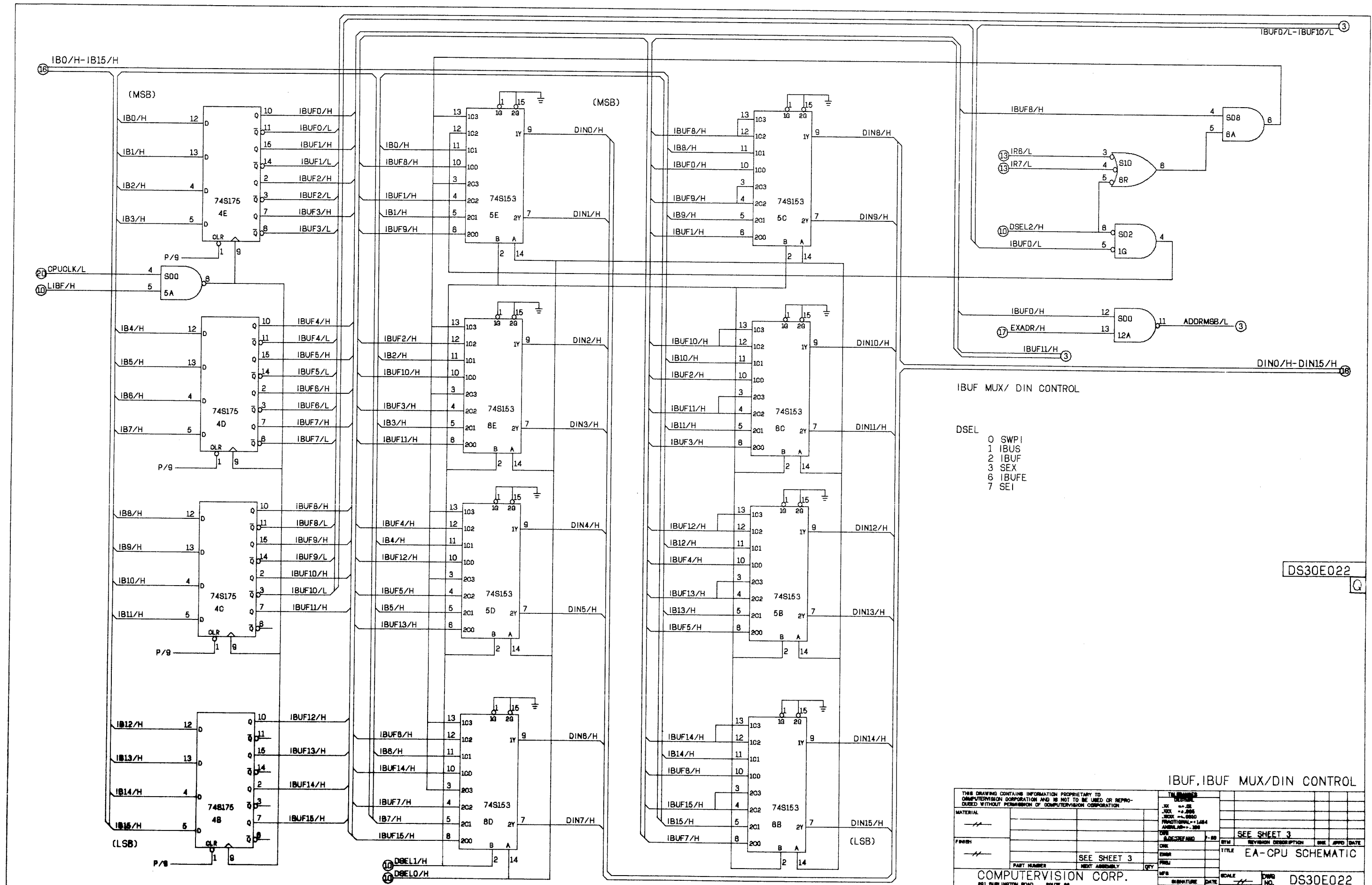
ASEL
 0 ASELECT(PIPELINE)
 1 AINR(INDEX ACCUM)
 2 AAC(SOURCE ACCUM)
 3 AACD(DEST ACCUM)

BSEL
 0 BSELECT(PIPELINE)
 1 BACD+1(DEST ACCUM ADDR PLUS 1)
 2 BICPR(ICP ACCESS ADDR)
 3 BACD(DEST ACCUM)

AOPSEL
 0 PALUC(PIPELINE)
 1 MULT(MULT ASSIST)
 2 DIV(DIV ASSIST)
 3 HRDWRD

ALU CONTROL LINE SELECT

THIS DRAWING CONTAINS INFORMATION PROPRIETARY TO COMPUTERVISION CORPORATION AND IS NOT TO BE USED OR REPRODUCED WITHOUT PERMISSION OF COMPUTERVISION CORPORATION		TOLERANCES UNLESS OTHERWISE SPECIFIED .XX = ±.02 .XXX = ±.005 .XXX = ±.0010 FRACTIONAL = ±1/64 ANGLES = ±.005	
MATERIAL		DATE	7-80
FINISH		BY	
	SEE SHEET 3	CHK	
		ENGR	
		PROJ	
PART NUMBER	NEXT ASSEMBLY	QTY	
COMPUTERVISION CORP. 801 BURLINGTON ROAD ROUTE 82 BEDFORD, MASS. 01730		SIGNATURE	DATE
		SCALE	DWG NO. DS30E022
		UNIT	SHT 14 OF 24 SHTS



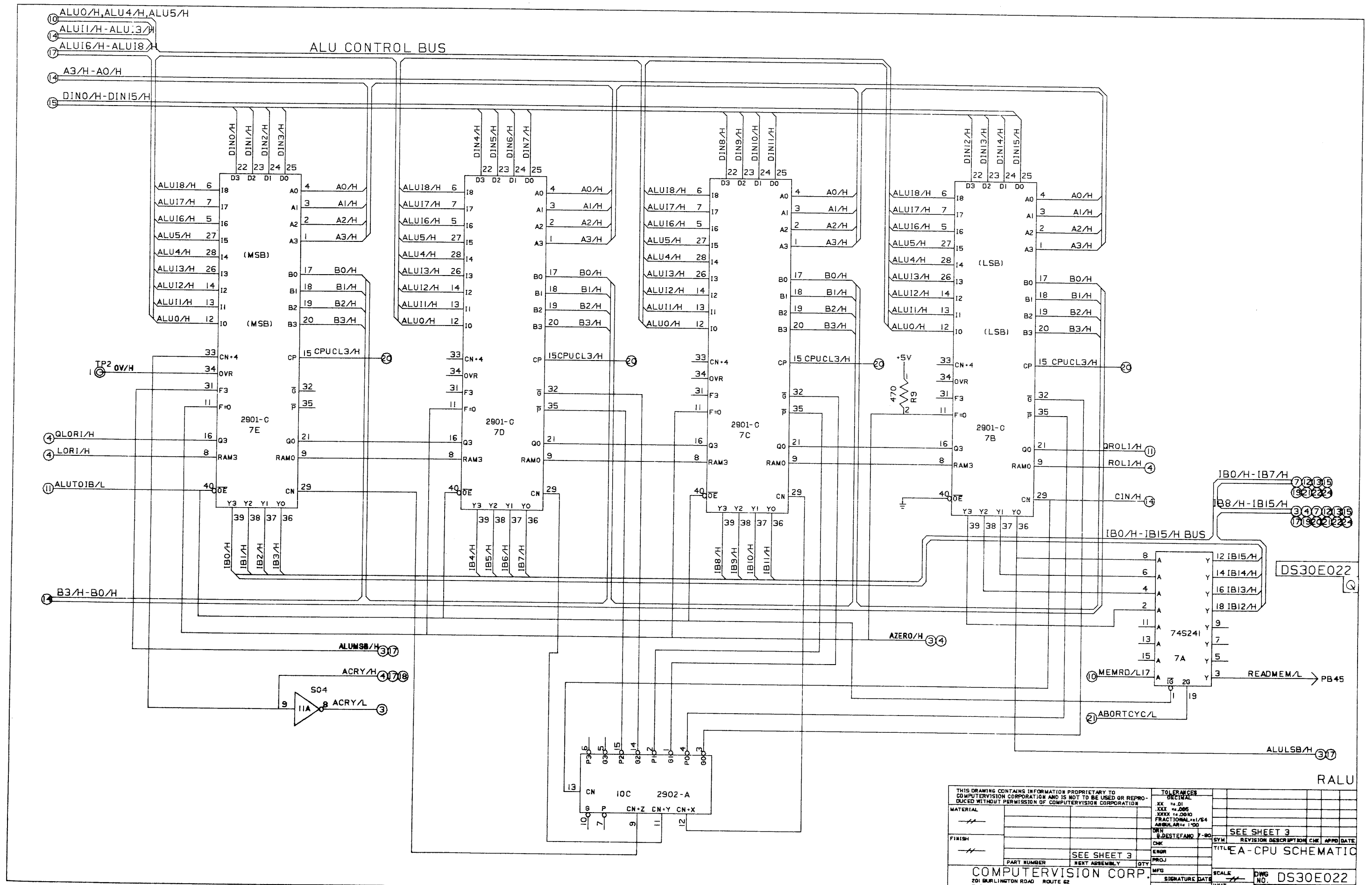
IBUF MUX/ DIN CONTROL

- DSEL
- 0 SWPI
 - 1 IBUS
 - 2 IBUF
 - 3 SEX
 - 6 IBUFE
 - 7 SEI

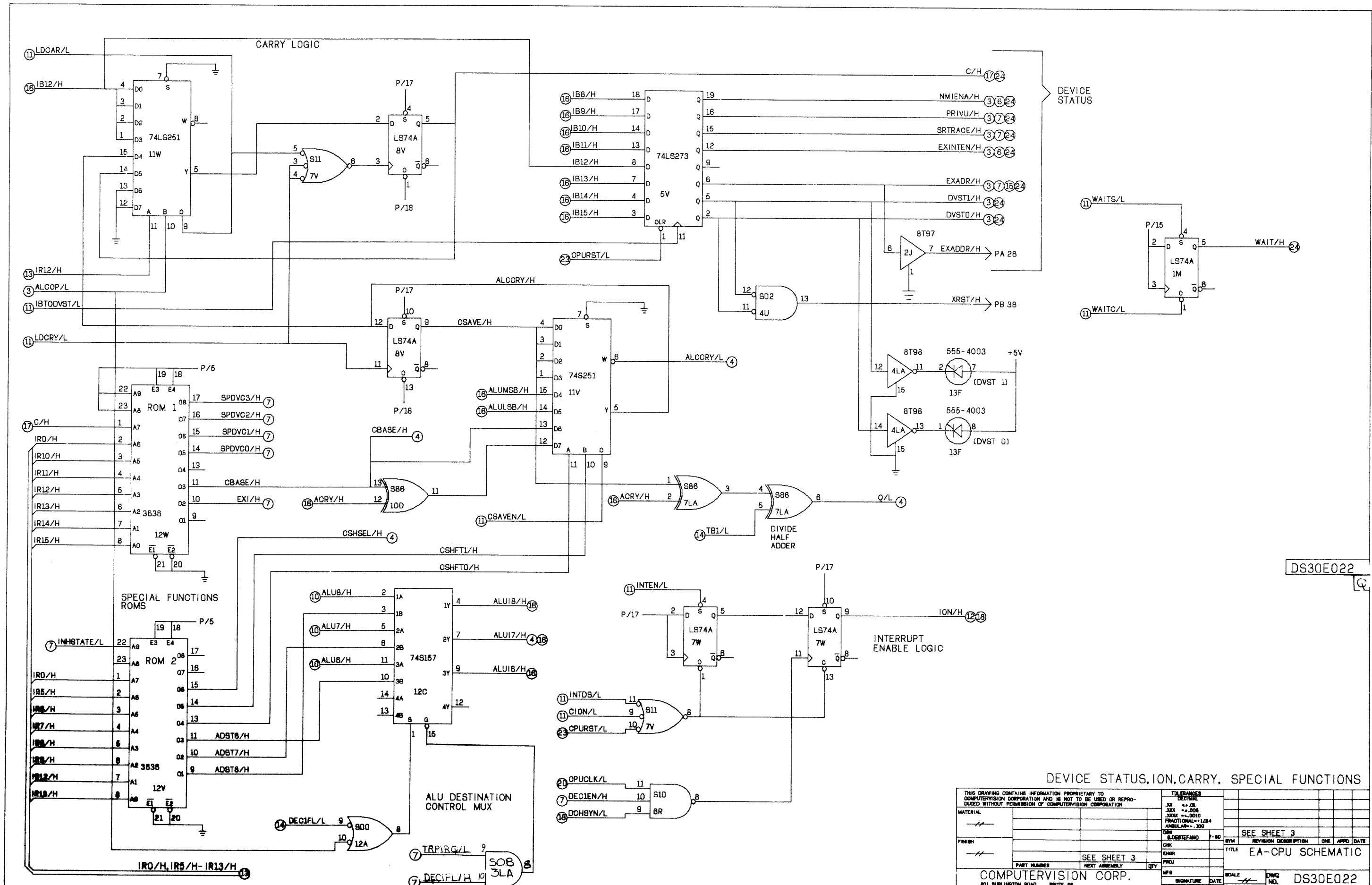
DS30E022

IBUF, IBUF MUX/DIN CONTROL

THIS DRAWING CONTAINS INFORMATION PROPRIETARY TO COMPUTERVISION CORPORATION AND IS NOT TO BE USED OR REPRODUCED WITHOUT PERMISSION OF COMPUTERVISION CORPORATION		TITLE EA-CPU SCHEMATIC	
MATERIAL	SEE SHEET 3 PART NUMBER	REV. NO. 1	DATE 12/82
FINISH	SEE SHEET 3 NEXT ASSEMBLY	BY [Signature]	DATE 12/82
COMPUTERVISION CORP. 801 BURLINGTON ROAD ROUTE 88 BEDFORD, MASS. 01730		SCALE 1:1	DWG NO. DS30E022 SHT 15 OF 24 SHTS



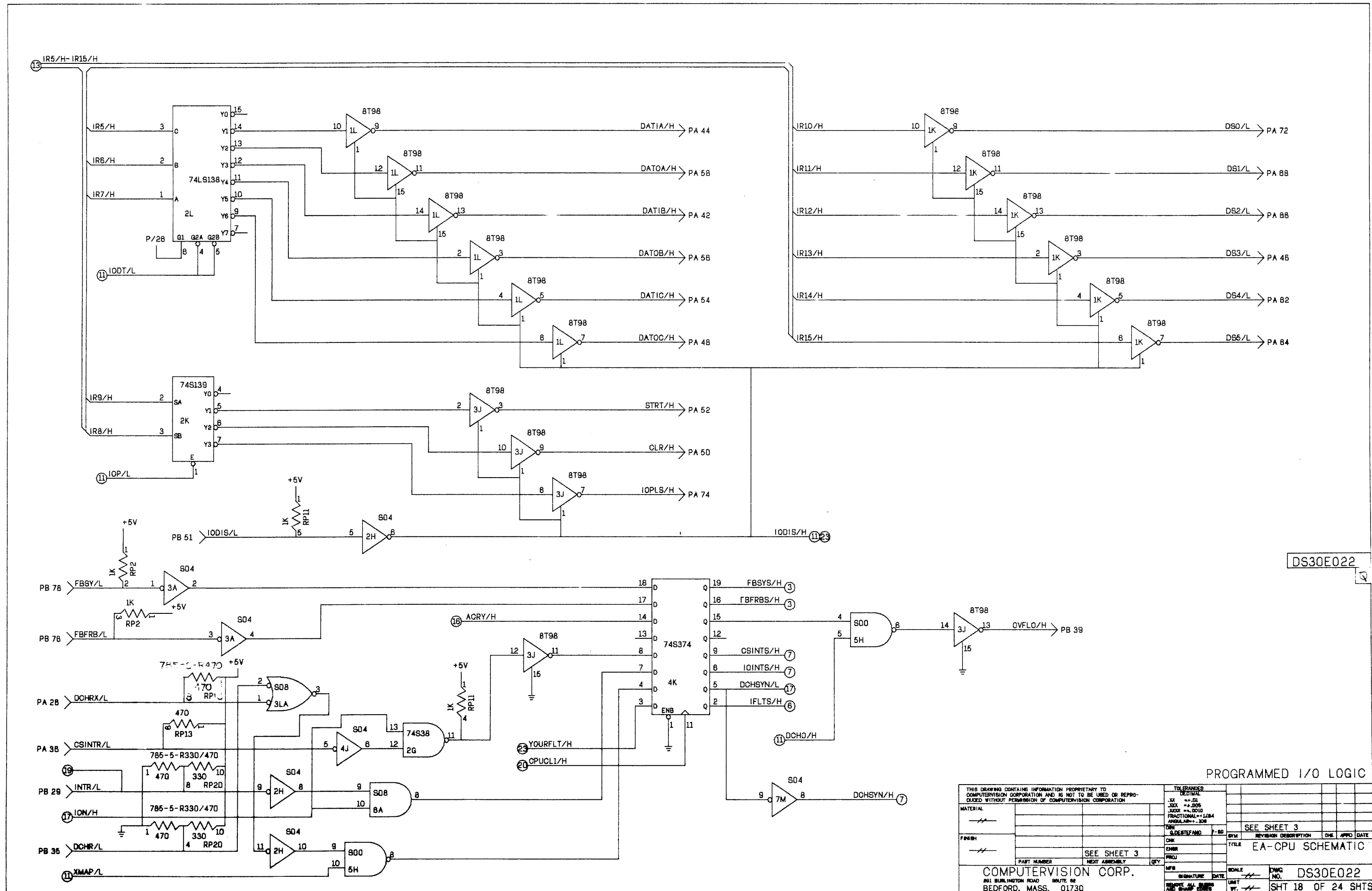
THIS DRAWING CONTAINS INFORMATION PROPRIETARY TO COMPUTERVISION CORPORATION AND IS NOT TO BE USED OR REPRODUCED WITHOUT PERMISSION OF COMPUTERVISION CORPORATION		TOLERANCES DECIMAL XX .XX XXX .XXX XXXX .XXXX FRACTIONAL 1/16 ANGULAR ± 1°			
MATERIAL		DRN	S. DESTEFANO	7-80	SYN
FINISH		CHK			SEE SHEET 3
		ENGR			REVISION DESCRIPTION CHK APPD DATE
		PROJ			TITLE EA-CPU SCHEMATIC
PART NUMBER SEE SHEET 3		NEXT ASSEMBLY		QTY	
COMPUTERVISION CORP.		SCALE		DWG NO. DS30E022	
201 BURLINGTON ROAD ROUTE 62		SIGNATURE DATE		UNIT	
BEDFORD, MASS. 01730		REMOVES ALL DIMENSIONS AND HOLE LOCATIONS		SHT 16 OF 24 SHTS	



DS30E022

DEVICE STATUS, ION, CARRY, SPECIAL FUNCTIONS

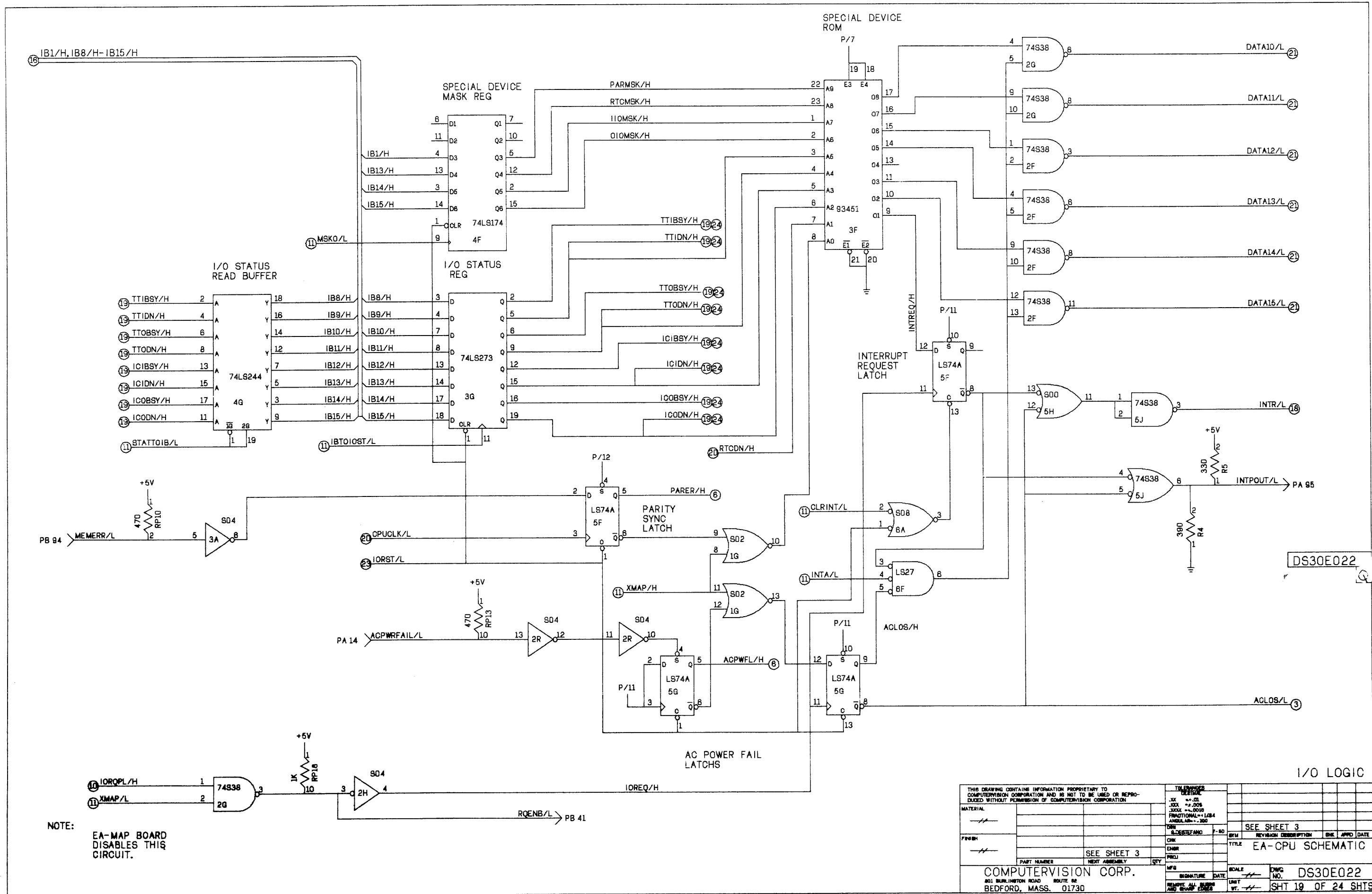
THIS DRAWING CONTAINS INFORMATION PROPRIETARY TO COMPUTERTVISION CORPORATION AND IS NOT TO BE USED OR REPRODUCED WITHOUT PERMISSION OF COMPUTERTVISION CORPORATION		TOLERANCES UNLESS SPECIFIED	
MATERIAL		XX	±.01
		JXX	±.006
		KXXK	±.0010
		FRACTIONAL	±.004
		ANGULAR	±.002
FINISH		DRY	
		S-DISTEFANO	F-MO
		BYN	SEE SHEET 3
		CHK	REVISION DESCRIPTION
		ENGR	CHK APPR DATE
		PROJ	TITLE
		QTY	EA-CPU SCHEMATIC
PART NUMBER		SEE SHEET 3	
NEXT ASSEMBLY			
MFG		SCALE	
SIGNATURE		DATE	
REMOVE ALL DIMS AND SHARP EDGES		UNIT	
		WT.	
COMPUTERTVISION CORP.		DWSG NO.	
401 BURLINGTON ROAD		DS30E022	
BEDFORD, MASS. 01730		SHT 17 OF 24 SHTS	



DS30E022

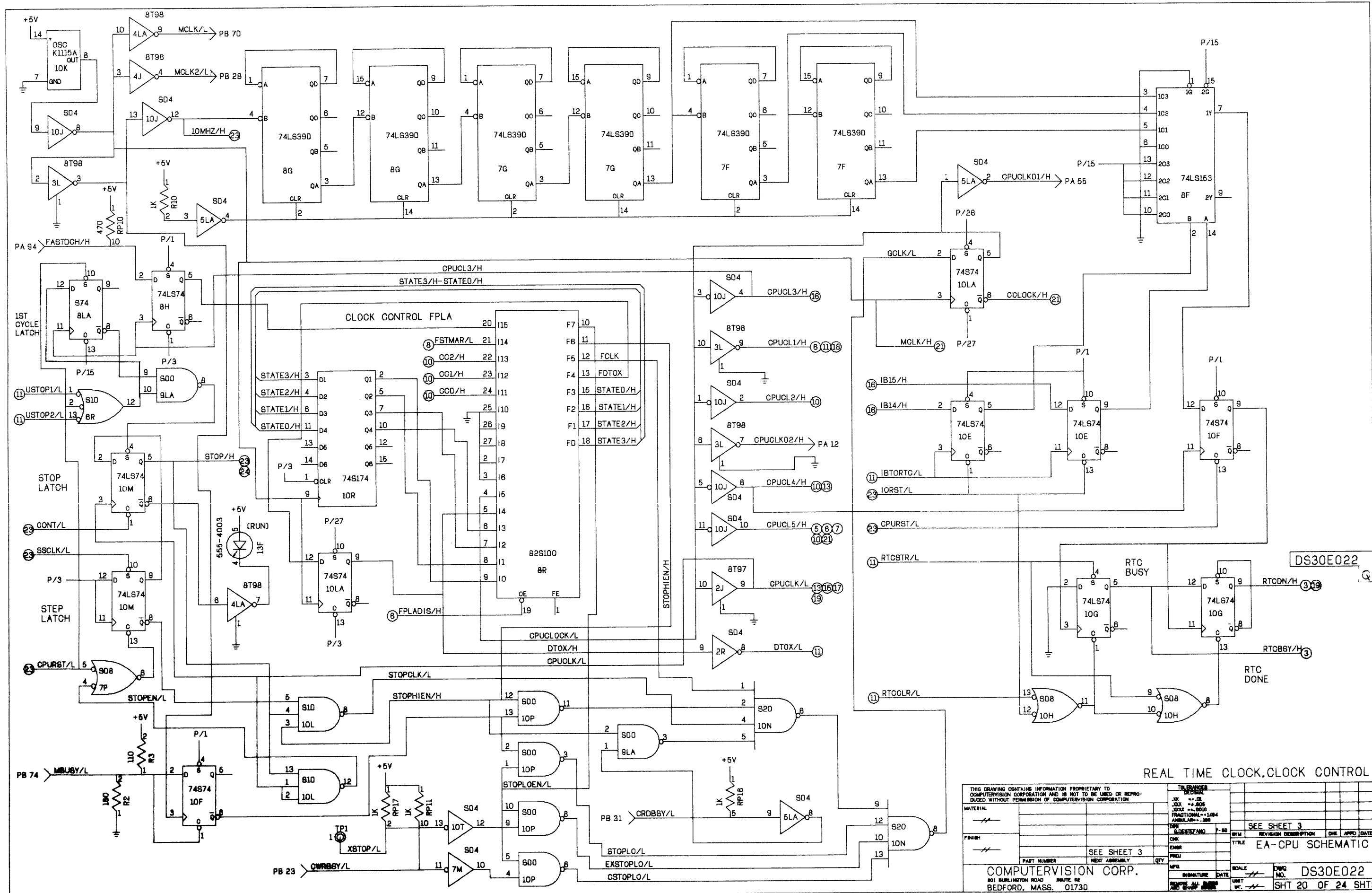
PROGRAMMED I/O LOGIC

THIS DRAWING CONTAINS INFORMATION PROPRIETARY TO COMPUTERVISION CORPORATION AND IS NOT TO BE USED OR REPRODUCED WITHOUT PERMISSION OF COMPUTERVISION CORPORATION.		TOLERANCES UNLESS SPECIFIED:	
MATERIAL		.XX ±.01	
FINISH		.XXX ±.005	
		.XXXX ±.0010	
		FRACTIONAL ± 1/64	
		ANGULAR ± .308	
PART NUMBER		SEE SHEET 3	REV. DESCRIPTION
NEXT ASSEMBLY		DATE	APP. DATE
COMPUTERVISION CORP.		SIGNATURE	
801 BURLINGTON ROAD		DATE	
ROUTE 88		SCALE	
BEDFORD, MASS. 01730		DWG. NO. DS30E022	
		SHT 18 OF 24 SHTS	



NOTE:
EA-MAP BOARD
DISABLES THIS
CIRCUIT.

THIS DRAWING CONTAINS INFORMATION PROPRIETARY TO COMPUTERVERSION CORPORATION AND IS NOT TO BE USED OR REPRO- DUCED WITHOUT PERMISSION OF COMPUTERVERSION CORPORATION		TOLERANCES DECIMAL .XX ±.01 .XXX ±.005 .XXXX ±.0010 FRACTIONAL ±.0004 ANGLES ±.300	
MATERIAL		DATE	REVISED
FINISH		ENGR	DATE
	SEE SHEET 3	CHK	DATE
	SEE SHEET 3	PRCL	DATE
	SEE SHEET 3	QTY	DATE
COMPUTERVERSION CORP. 801 BURLINGTON ROAD ROUTE 82 BEDFORD, MASS. 01730		SIGNATURE DATE	DWG NO. DS30E022 SHT 19 OF 24 SHTS

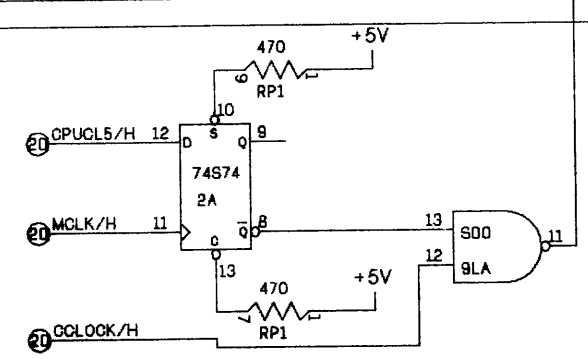
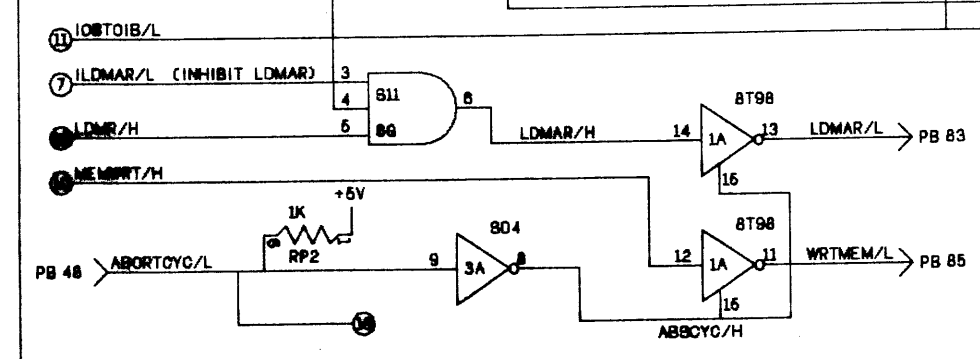
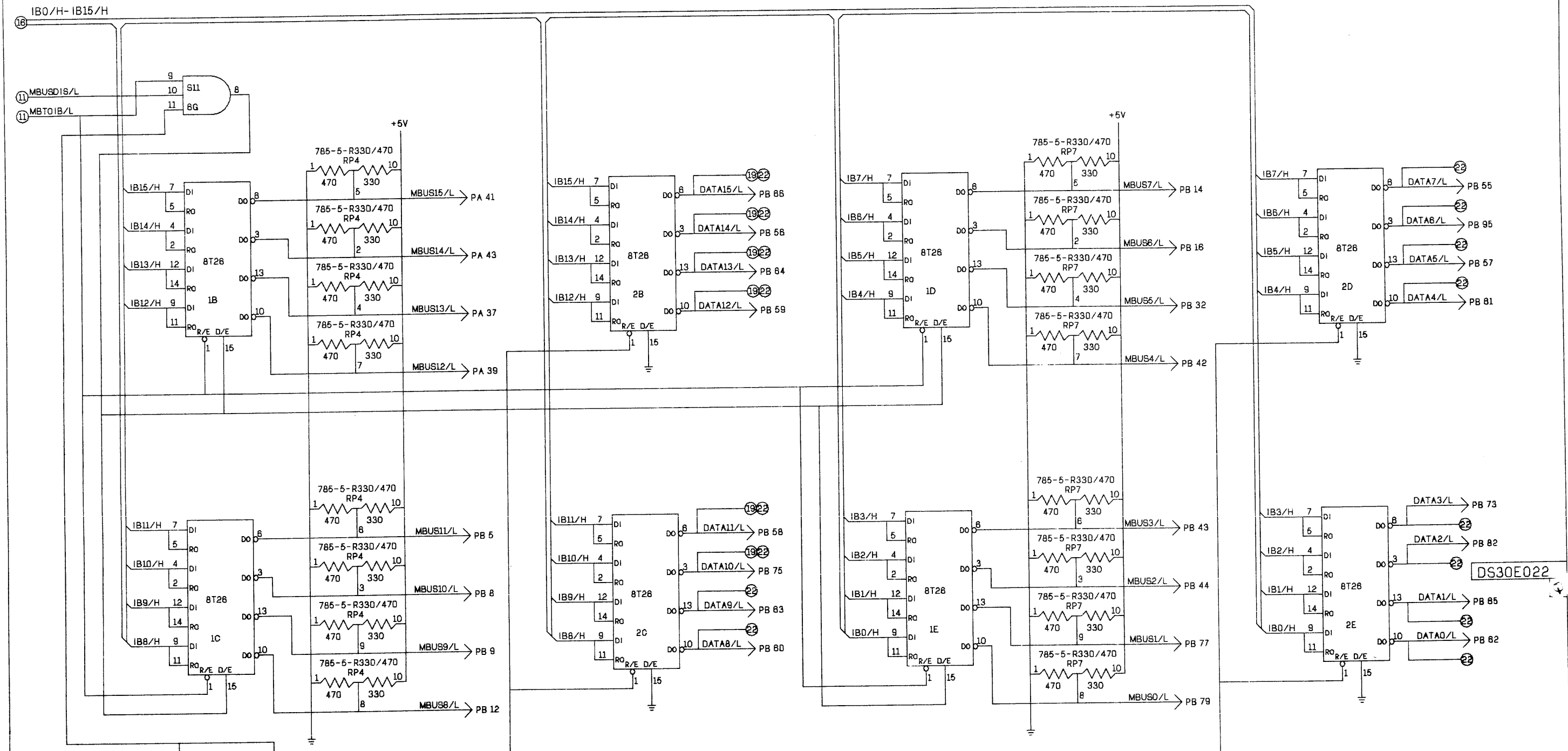


REAL TIME CLOCK, CLOCK CONTROL

THIS DRAWING CONTAINS INFORMATION PROPRIETARY TO COMPUTERVISION CORPORATION AND IS NOT TO BE USED OR REPRODUCED WITHOUT PERMISSION OF COMPUTERVISION CORPORATION		TOLERANCES UNLESS OTHERWISE SPECIFIED	
MATERIAL		XX	++
		JXX	++
		JXXX	++
		FRACTIONAL	++
		ANGULAR	++
FINISH		SEE SHEET 3	
		CHK	BYM
		CHK	REV
		CHK	DATE
		CHK	UNIT
		CHK	WT.
PART NUMBER	SEE SHEET 3	SCALE	DWG NO.
NEXT ASSEMBLY			DS30E022
COMPUTERVISION CORP.			SHT 20 OF 24 SHTS
801 BURLINGTON ROAD			
BEDFORD, MASS. 01730			

MEM BUS XCUR

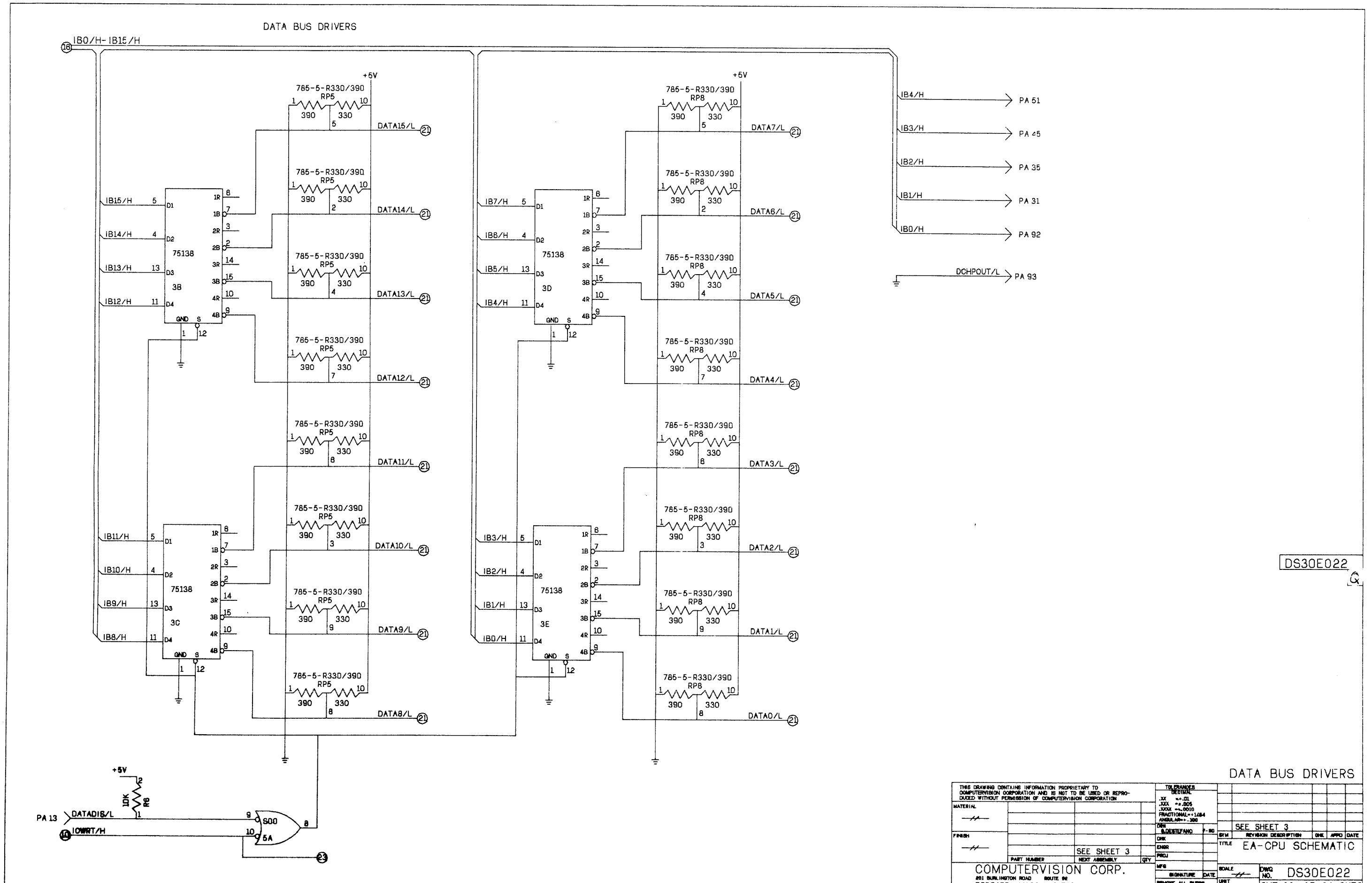
DATA BUS RVCR



MEMORY BUS INTERFACE, DATA BUS RECEIVE

THIS DRAWING CONTAINS INFORMATION PROPRIETARY TO COMPUTERTVISION CORPORATION AND IS NOT TO BE USED OR REPRODUCED WITHOUT PERMISSION OF COMPUTERTVISION CORPORATION.		TOLERANCES UNLESS OTHERWISE SPECIFIED	
MATERIAL		XX	±.01
		XXX	±.005
		XXXX	±.0040
		FRACTIONS	±.004
		ANGLES	±.004
FINISH		DATE	7-80
		BY	REVISION DESCRIPTION
		CHK	DATE
		ENGR	
		PROJ	
PART NUMBER	NEXT ASSEMBLY	QTY	
COMPUTERTVISION CORP.		SCALE	DWG NO.
301 BURLINGTON ROAD ROUTE 88		UNIT	DS30E022
BEDFORD, MASS. 01730		WT.	SHT 21 OF 24 SHTS

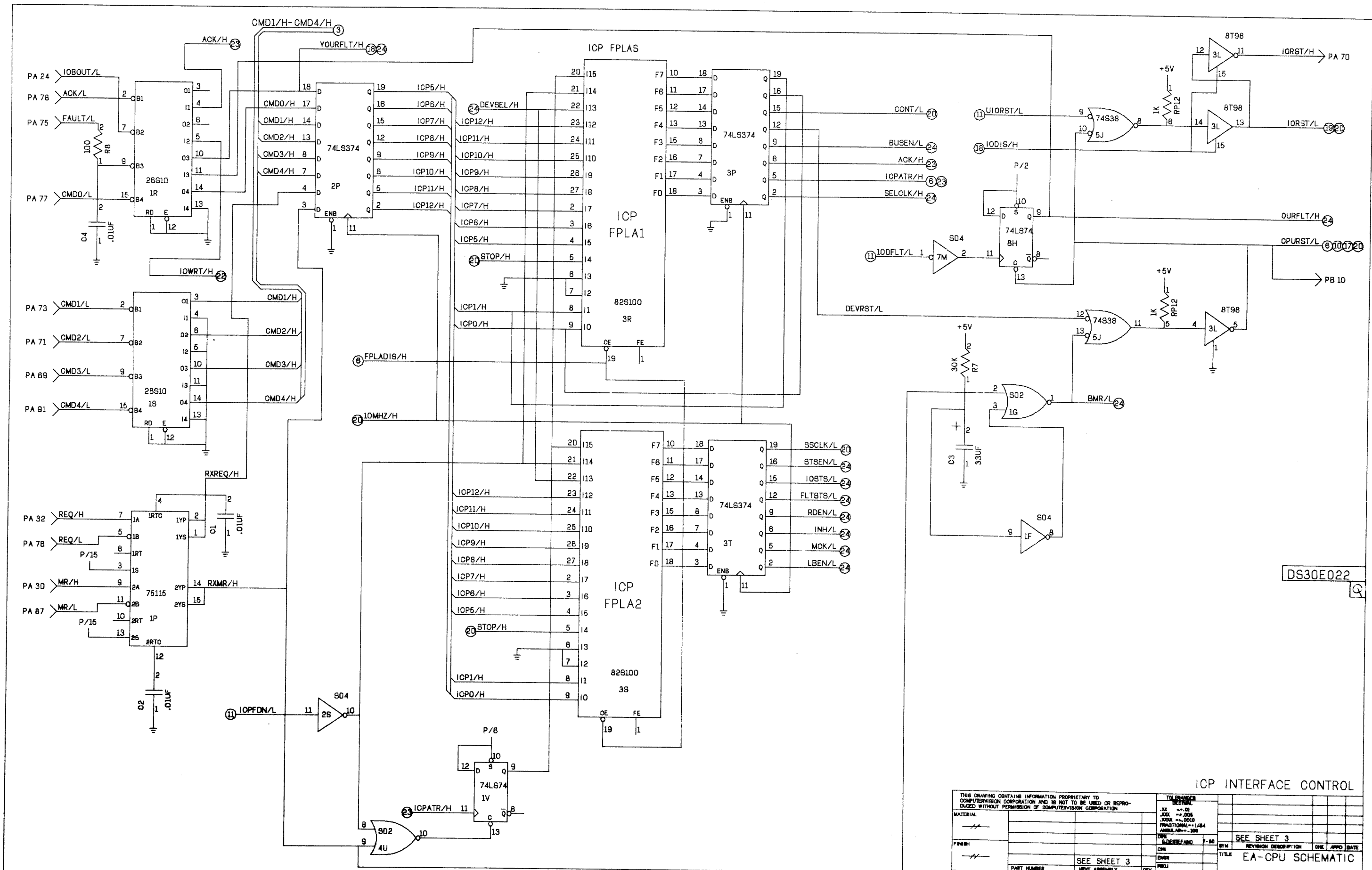
DATA BUS DRIVERS



DS30E022

DATA BUS DRIVERS

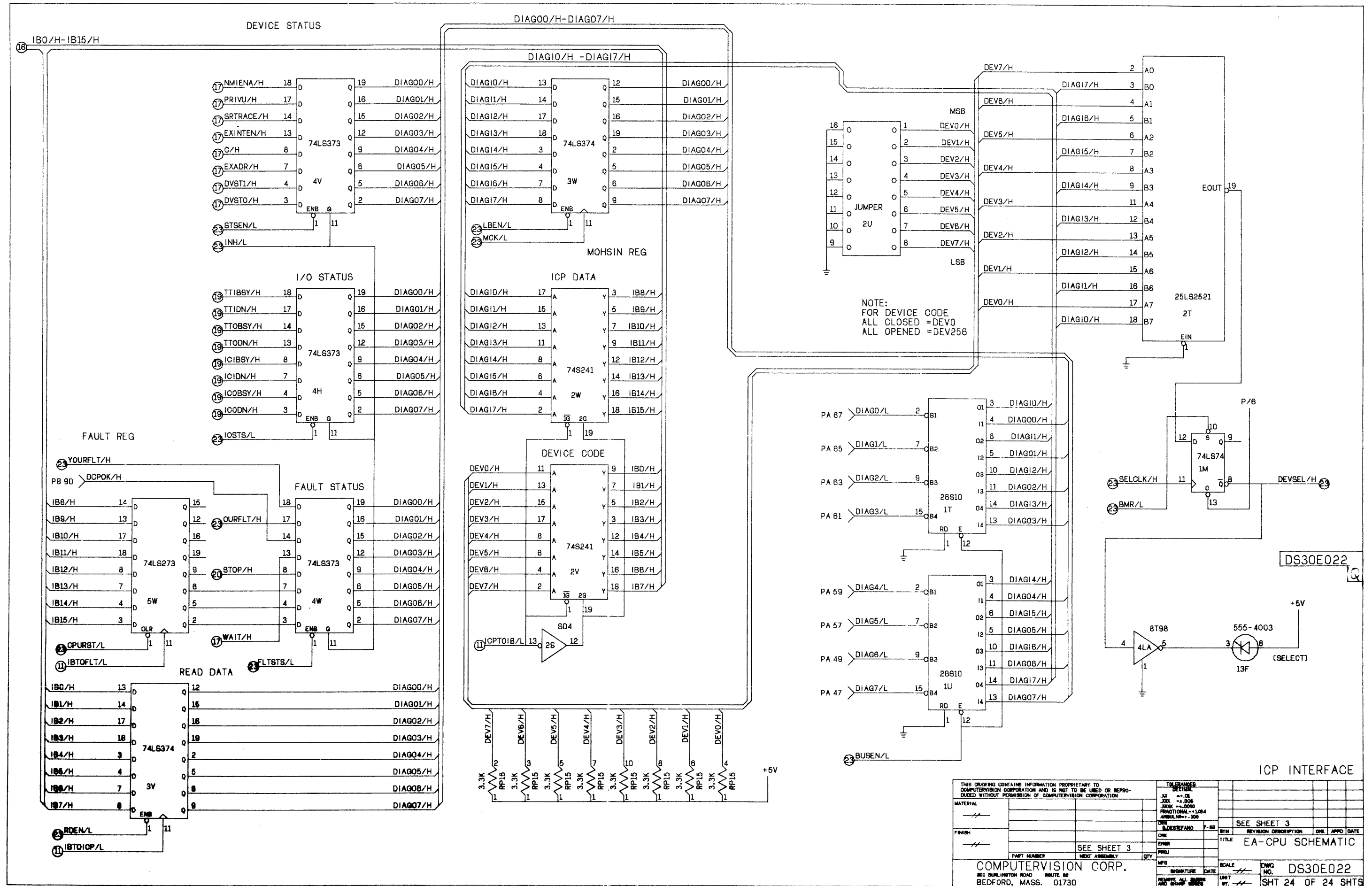
THIS DRAWING CONTAINS INFORMATION PROPRIETARY TO COMPUTERVISION CORPORATION AND IS NOT TO BE USED OR REPRODUCED WITHOUT PERMISSION OF COMPUTERVISION CORPORATION		TOLERANCES DECIMAL XX -- .01 XXX -- .005 XXXX -- .0010 FRACTIONAL -- 1/64 ANGLES -- 1/16			
MATERIAL					
FINISH					
	SEE SHEET 3				
	SEE SHEET 3				
COMPUTERVISION CORP. 201 BURLINGTON ROAD BEDFORD, MASS. 01730		SCALE	DWG NO.	DS30E022	
		UNIT	SHT	22 OF 24 SHTS	



DS30E022

ICP INTERFACE CONTROL

THIS DRAWING CONTAINS INFORMATION PROPRIETARY TO COMPUTERVISION CORPORATION AND IS NOT TO BE USED OR REPRODUCED WITHOUT PERMISSION OF COMPUTERVISION CORPORATION.		TOLERANCES DECIMAL .XX = ±.02 .XXX = ±.005 FRACTIONAL = ±1/64 ANGLES = ±.0010	
MATERIAL		DATE	7-80
FINISH		CHK	
	SEE SHEET 3	ENGR	
PART NUMBER	SEE SHEET 3	PROJ	
COMPUTERVISION CORP. 801 BURLINGTON ROAD BEDFORD, MASS. 01730		SIGNATURE DATE	SCALE DWG NO. DS30E022 SHT 23 OF 24 SHTS



THIS DRAWING CONTAINS INFORMATION PROPRIETARY TO COMPUTERVISION CORPORATION AND IS NOT TO BE USED OR REPRODUCED WITHOUT PERMISSION OF COMPUTERVISION CORPORATION		TOLERANCES UNLESS OTHERWISE SPECIFIED	
MATERIAL		JX	±0.05
		J01	±0.008
		J02	±0.005
		FRACTIONAL	±1/64
		APPROXIMATE	±.005
FINISH		DATE	04/28/82
		ENGR	
		PROJ	
		SCALE	1:1
		SIGNATURE	
		DATE	
		UNIT	
		WT.	
PART NUMBER		SEE SHEET 3	
NEXT ASSEMBLY		QTY	
COMPUTERVISION CORP.		SCALE	
801 BURLINGTON ROAD SUITE 82		DWG NO.	
BEDFORD, MASS. 01730		DS30E022	
		SHT 24 OF 24 SHTS	

Section 2
Intelligent Control Panel (ICP)

ICP Block Diagram

CPU

Clock, Reset and NMI

I/O Decode, PROM Decodes, and Wait States

32K RAM

32K PROM

CTC, Printer Interface, and Miscellaneous Control Bus

Local Port, Remote Port, and Baud Rate Generator

Diagnostic Bus Interface

Power Interface

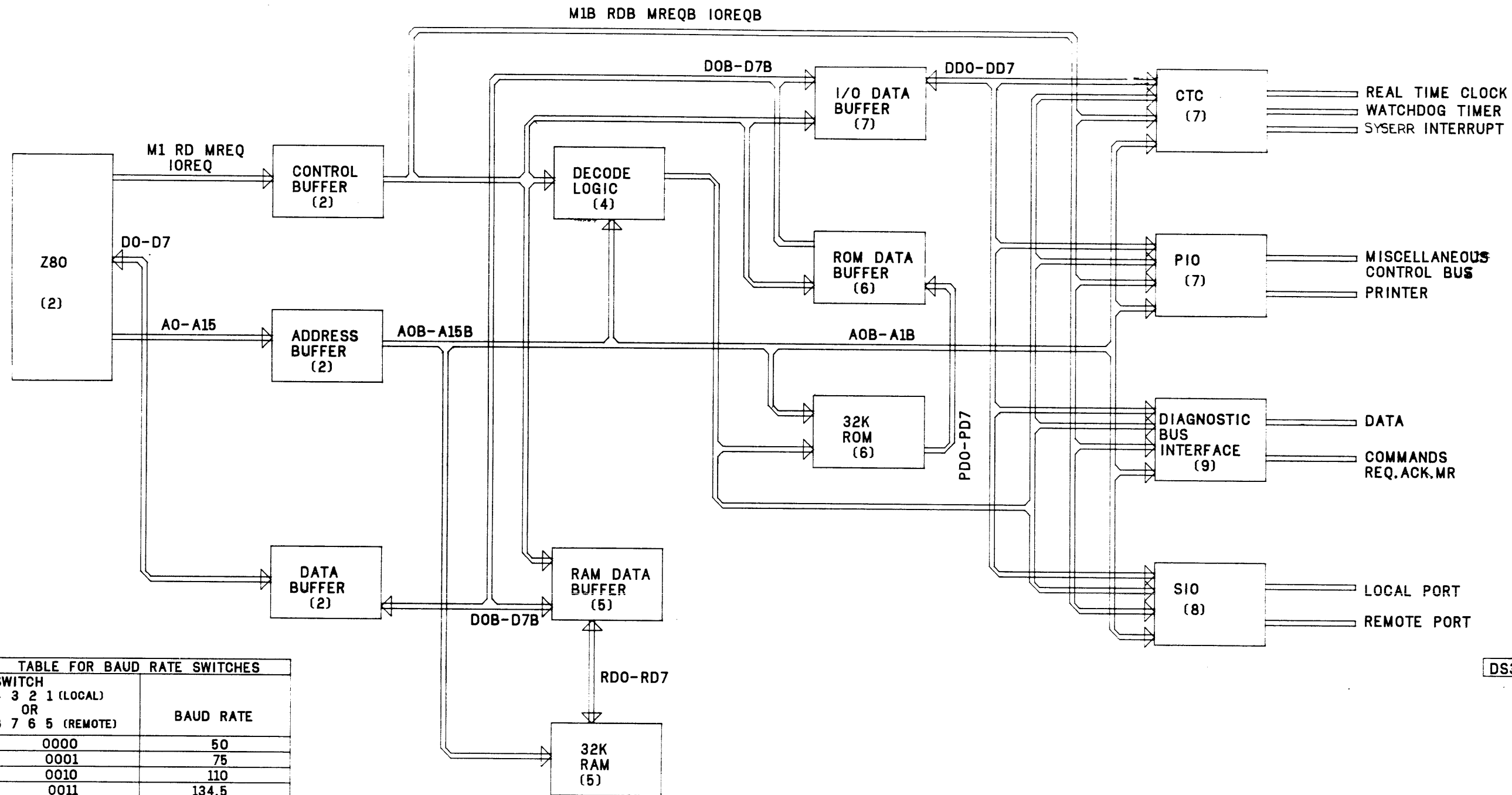


TABLE FOR BAUD RATE SWITCHES

SWITCH 4 3 2 1 (LOCAL) OR 8 7 6 5 (REMOTE)	BAUD RATE
0000	50
0001	75
0010	110
0011	134.5
0100	150
0101	300
0110	600
0111	1200
1000	1800
1001	2000
1010	2400
1011	3600
1100	4800
1101	7200
1110	9600
1111	19200

1 = OPEN, OFF
0 = CLOSED, ON

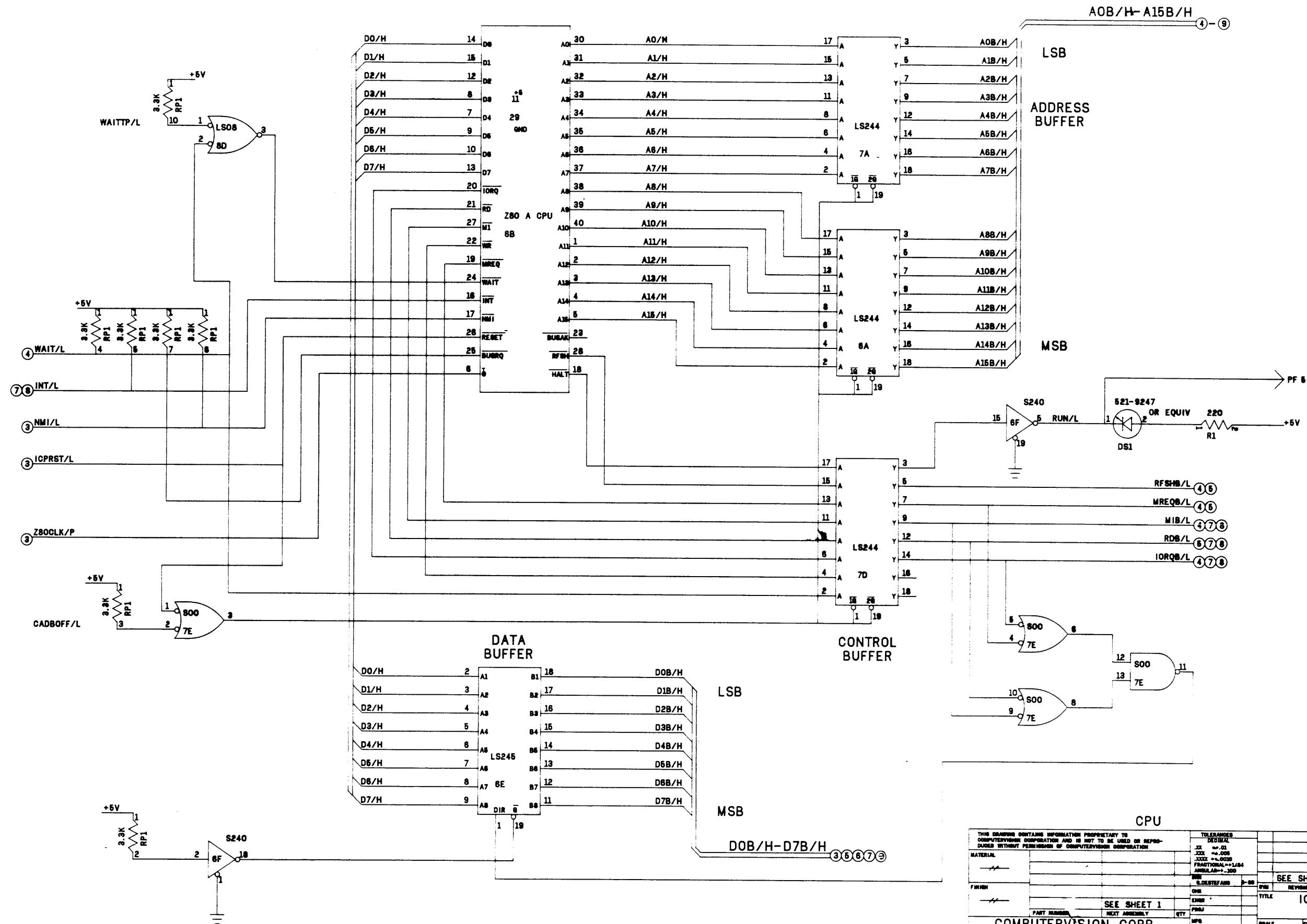
(8)

() = SHEET NO.

DS30E032

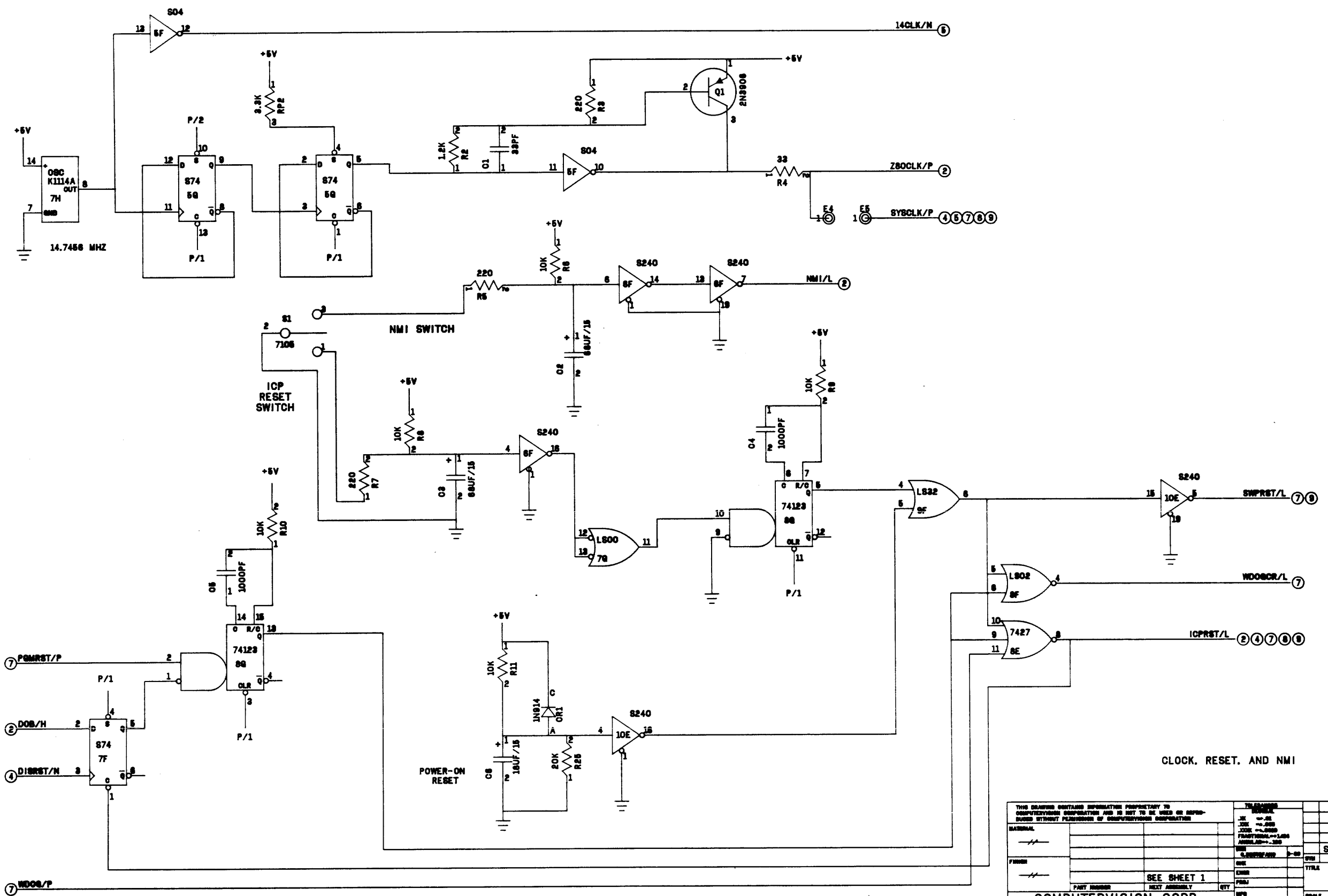
ICP BLOCK DIAGRAM

THIS DRAWING CONTAINS INFORMATION PROPRIETARY TO COMPUTERVISION CORPORATION AND IS NOT TO BE USED OR REPRODUCED WITHOUT PERMISSION OF COMPUTERVISION CORPORATION		TELEPHONE	
MATERIAL	REV. NO.	ECO #	DATE
		C ECO # 4438	7/20/81
		B ECO # 4042	10/22/80
		A REL ECO # 3888	12/15/80
FRS	DATE	BY	APP'D
PART NUMBER	QUANTITY	DESCRIPTION	DATE
DA30E30	1	ICP SCHEMATIC	
COMPUTERVISION CORP.		SCALE	DWG NO.
100 BELLFLOWER ROAD			DS30E032
BEDFORD, MASS. 01730		UNIT	SHT 1 OF 10 SHTS



DS30E032

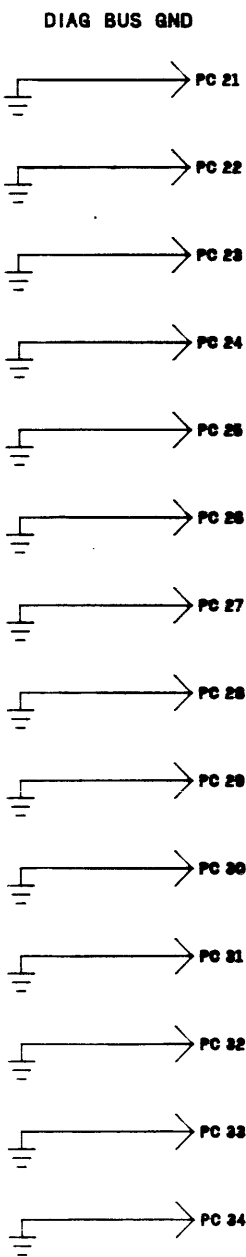
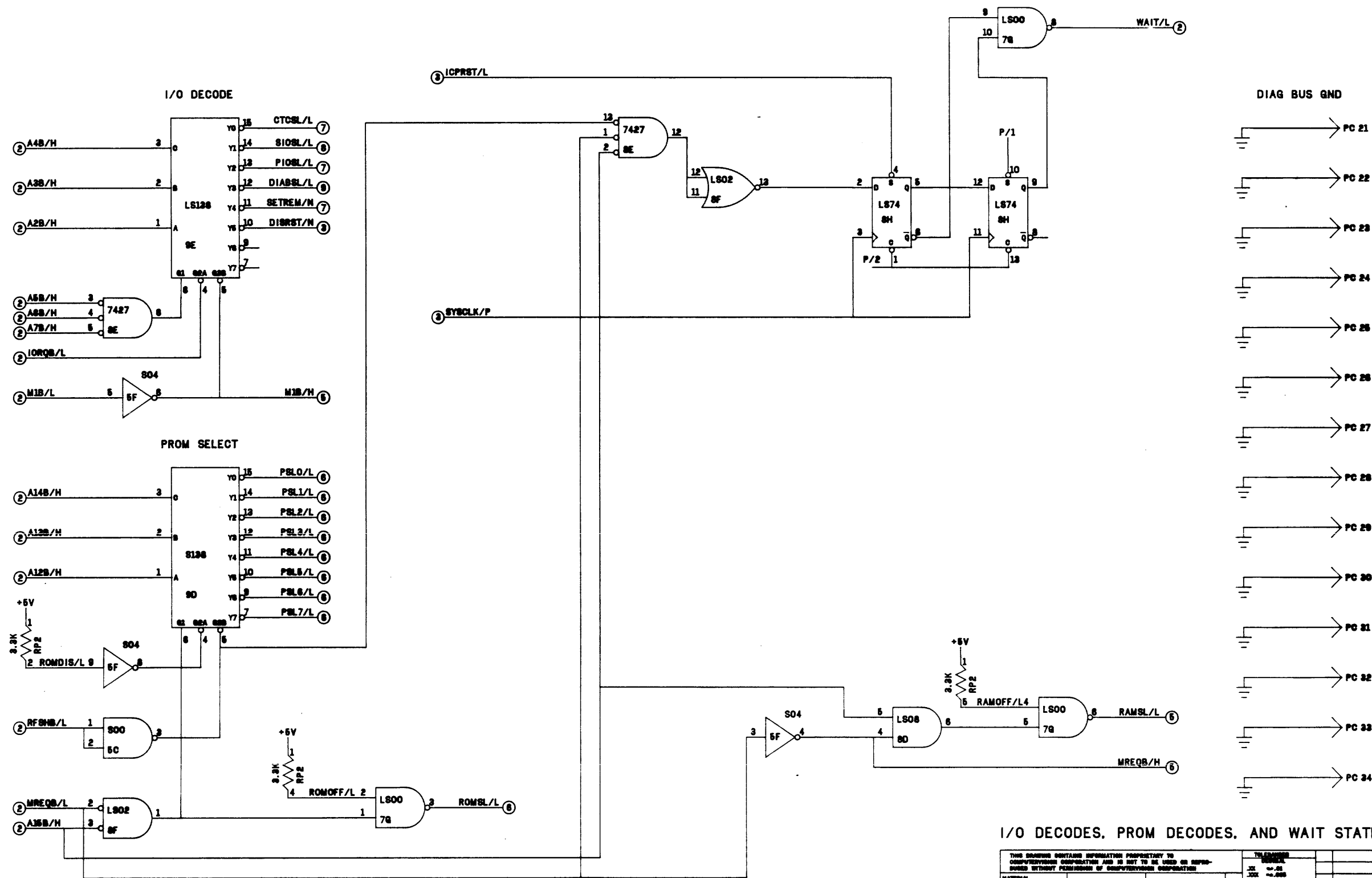
THIS DRAWING CONTAINS INFORMATION PROPRIETARY TO COMPUTERVISION CORPORATION AND IS NOT TO BE USED OR REPRODUCED WITHOUT PERMISSION OF COMPUTERVISION CORPORATION		TOLERANCES DIM. DECIMAL XXX .005 XXXX .0005 FRACTIONAL 1/16, 1/32, 1/64		
MATERIAL		REV	DATE	BY
FINISH		Q. DESIGNED	P. 00	DATE
	SEE SHEET 1	CHKD		TITLE
PART NUMBER	NEXT ASSEMBLY	QTY	SCALE	DWG NO.
COMPUTERVISION CORP.				DS30E032
200 BEDFORD STREET BEDFORD, MASS. 01730				SHT 2 OF 10 SHTS



DS30E032
C

CLOCK, RESET, AND NMI

THIS DRAWING CONTAINS INFORMATION PROPRIETARY TO COMPUTERVISION CORPORATION AND IS NOT TO BE USED OR REPRODUCED WITHOUT PERMISSION OF COMPUTERVISION CORPORATION		TOLERANCES UNLESS OTHERWISE SPECIFIED	
MATERIAL	FINISH	DATE	BY
SEE SHEET 1	SEE SHEET 1	DATE	BY
PART NUMBER	NEXT ASSEMBLY	QTY	
COMPUTERVISION CORP. 200 BROADVIEW ROAD BEDFORD, MASS. 01730		SCALE	DWG NO. DS30E032
		UNIT	SHT 3 OF 10 SHTS

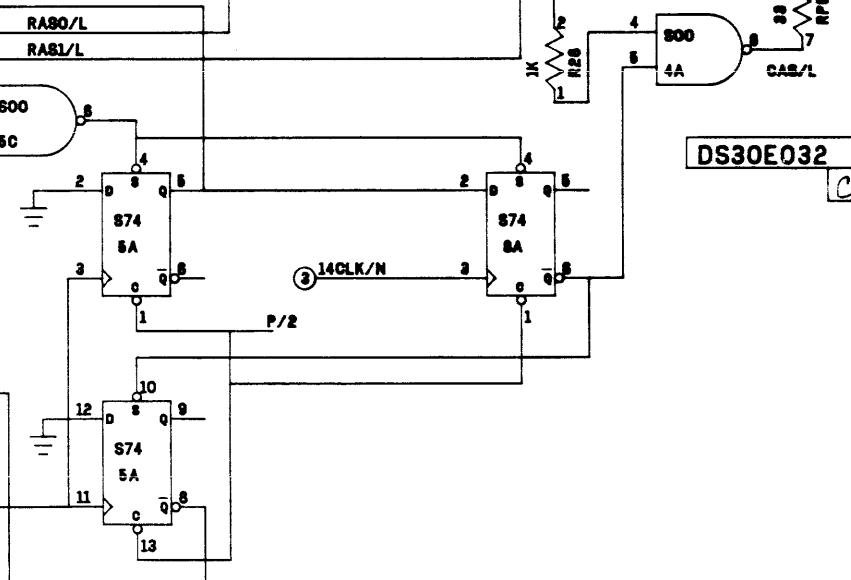
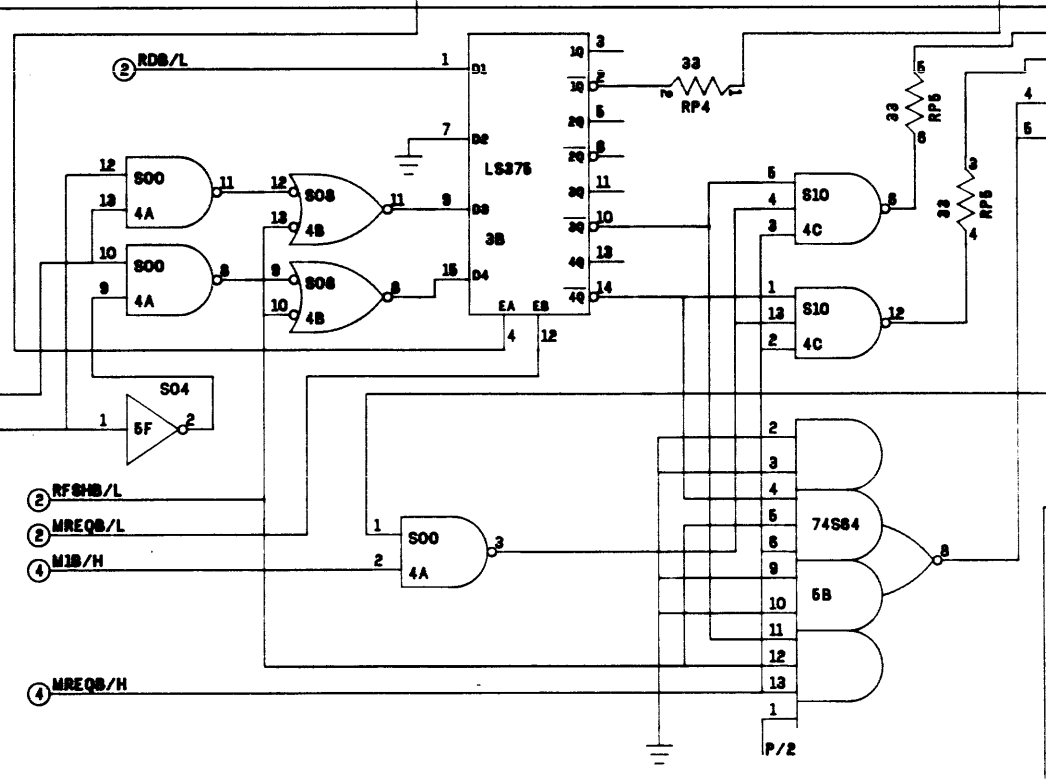
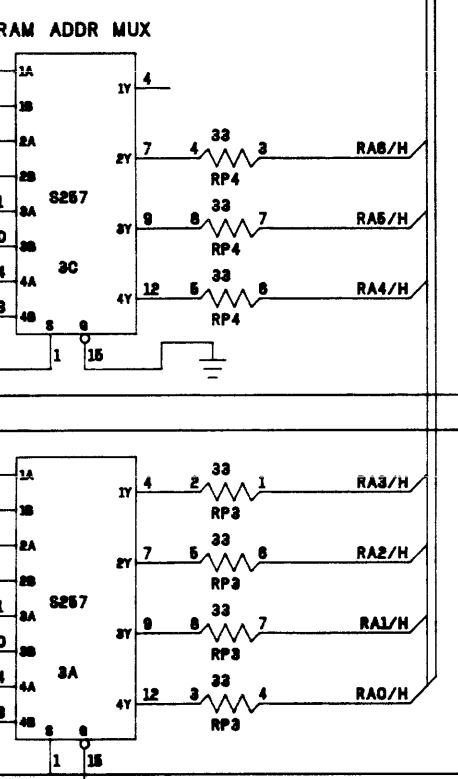
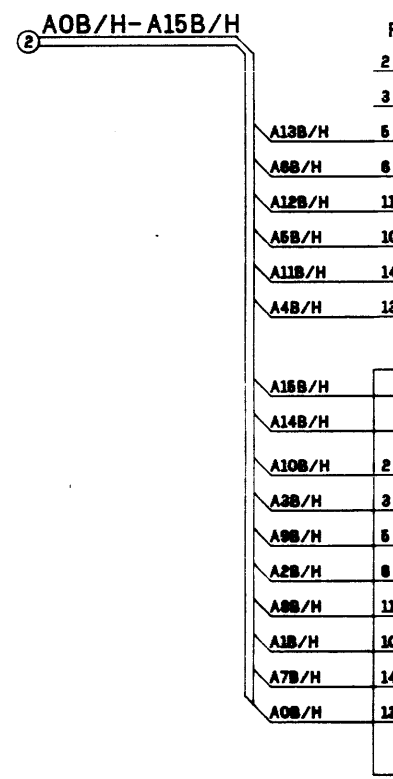
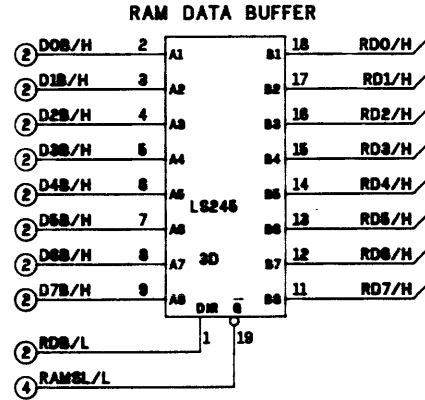
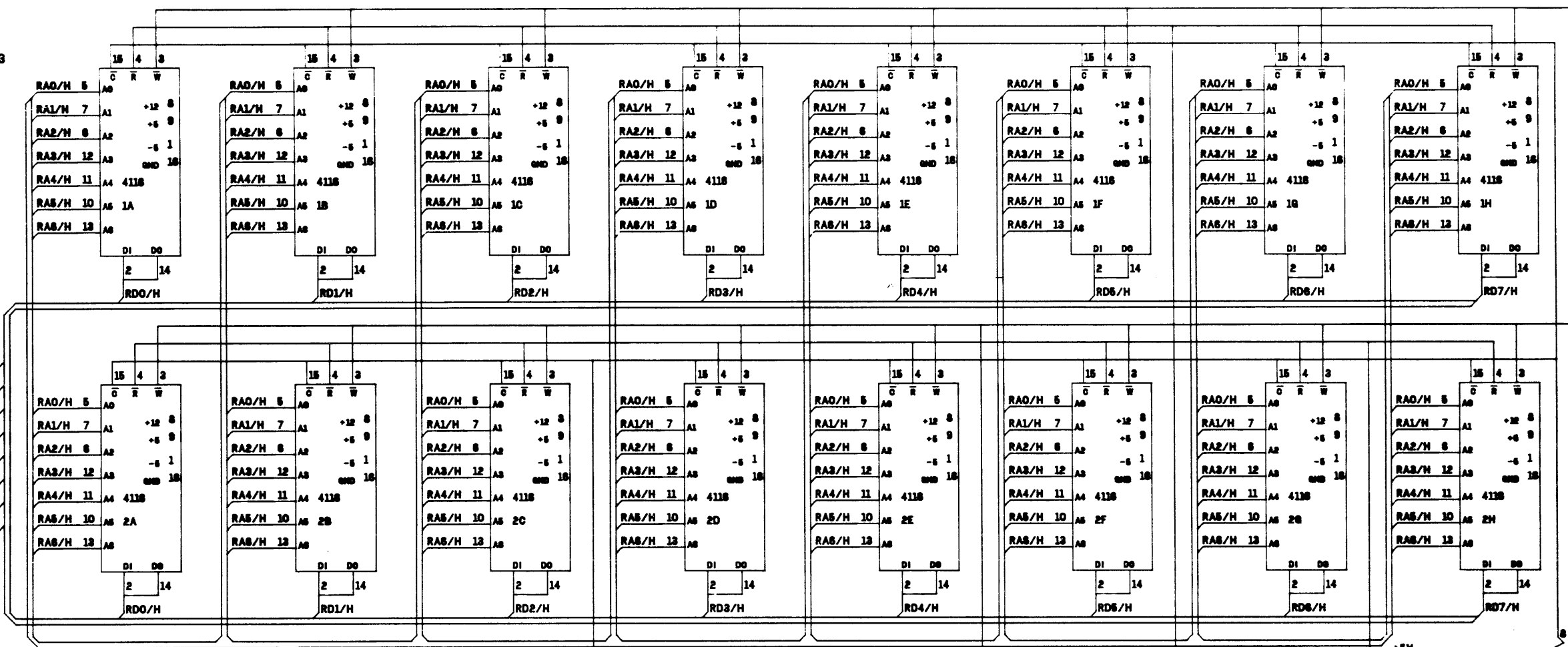
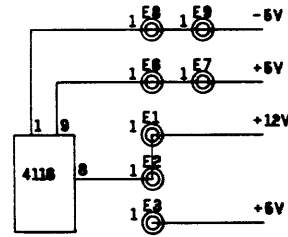


DS30E032

I/O DECODES, PROM DECODES, AND WAIT STATES

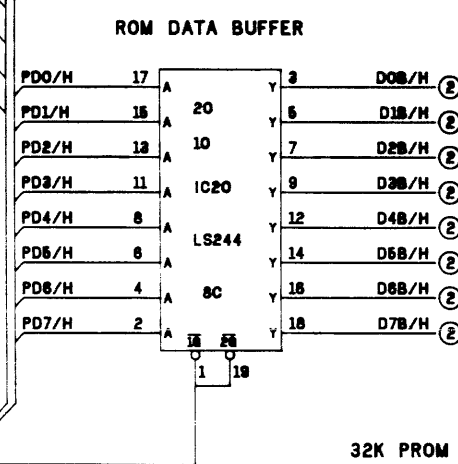
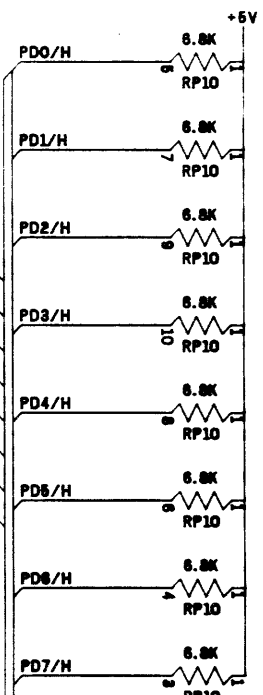
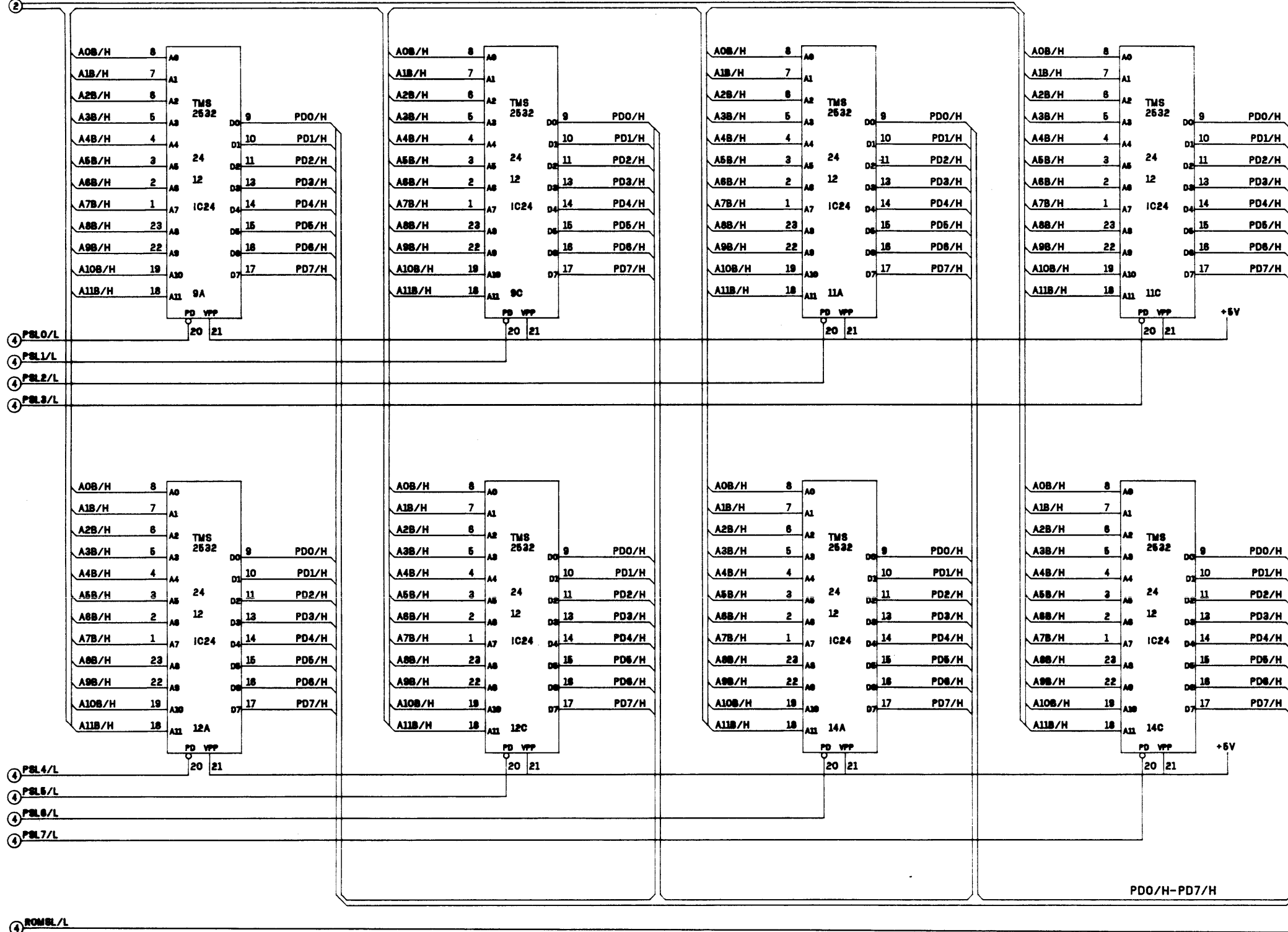
<small>THIS DRAWING CONTAINS INFORMATION PROPRIETARY TO COMPUTERVISION CORPORATION AND IS NOT TO BE USED OR REPRODUCED WITHOUT PERMISSION OF COMPUTERVISION CORPORATION</small>		<small>TELEPHONE</small> <small>MODEL</small> <small>XX -- 01</small> <small>XXX -- 01, 020</small> <small>XXXX -- 01, 020</small> <small>FRACTIONAL -- 1/100</small> <small>NUMERATOR -- 100</small>				
<small>MATERIAL</small>						
<small>FORM</small>						
<small>SEE SHEET 1</small>		<small>REV</small>	<small>REV</small>	<small>REV</small>	<small>REV</small>	<small>REV</small>
<small>SEE SHEET 1</small>		ICP SCHEMATIC				
<small>PART NUMBER</small>	<small>REV</small>	<small>QTY</small>	<small>DATE</small>	<small>BY</small>	<small>CHKD</small>	<small>APPD</small>
COMPUTERVISION CORP.						
<small>200 BURLINGTON ROAD</small>	<small>SUITE 600</small>					
<small>BEDFORD, MASS. 01730</small>						
			<small>DATE</small>	<small>NO.</small>	DS30E032	
			<small>UNIT</small>	<small>REV</small>	<small>SHT</small>	4 OF 10 SHTS

TO CONVERT TO +5V RAMS:
 1. CUT ETCH BETWEEN E1 AND E2
 2. CUT ETCH BETWEEN E6 AND E7
 3. CUT ETCH BETWEEN E8 AND E9
 4. INSERT WIRE BETWEEN E2 AND E3



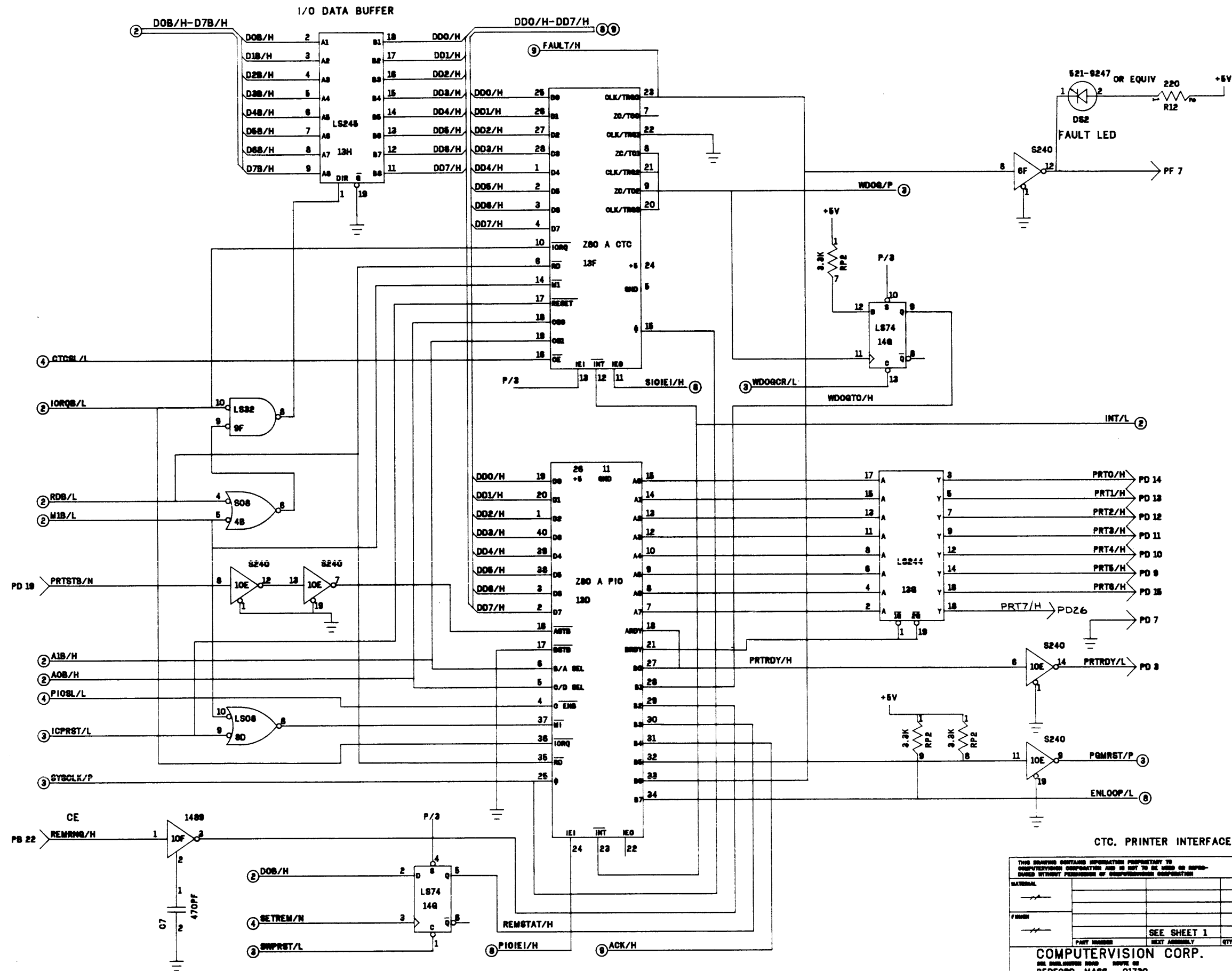
THIS DRAWING CONTAINS INFORMATION PROPRIETARY TO COMPUTERVISION CORPORATION AND IS NOT TO BE USED OR REPRODUCED WITHOUT PERMISSION OF COMPUTERVISION CORPORATION.		DATE	BY	CHKD	APP'D
MATERIAL		REV			
FINISH		REV			
PART NUMBER	SEE SHEET 1	REV			
DESCRIPTION	SEE SHEET 1	REV			
QUANTITY		REV			
COMPUTERVISION CORP. 200 BROADWAY ROAD BEDFORD, MASS. 01730		SCALE		DWG NO.	DS30E032
		SIGNATURE		UNIT	SHT 6 OF 10 SHTS

AOB/H-A11B/H



DS30E032

THIS DRAWING CONTAINS INFORMATION PROPRIETARY TO COMPUTERVERSION CORPORATION AND IS NOT TO BE USED OR REPRODUCED WITHOUT PERMISSION OF COMPUTERVERSION CORPORATION.		TOLERANCES UNLESS OTHERWISE SPECIFIED	
MATERIAL		XX	±.01
		XXX	±.005
		XXXX	±.000
		FRACTIONAL	±.0005
		ANGLES	±.005
FINISH		UNLESS OTHERWISE SPECIFIED	
		SEE SHEET 1	
PART NUMBER	SEE SHEET 1	QTY	
COMPUTERVERSION CORP.		SCALE	DWG NO. DS30E032
300 DANFORTH ROAD		DATE	REV. DATE
BEDFORD, MASS. 01730		DRW. BY	SHT 6 OF 10 SHTS

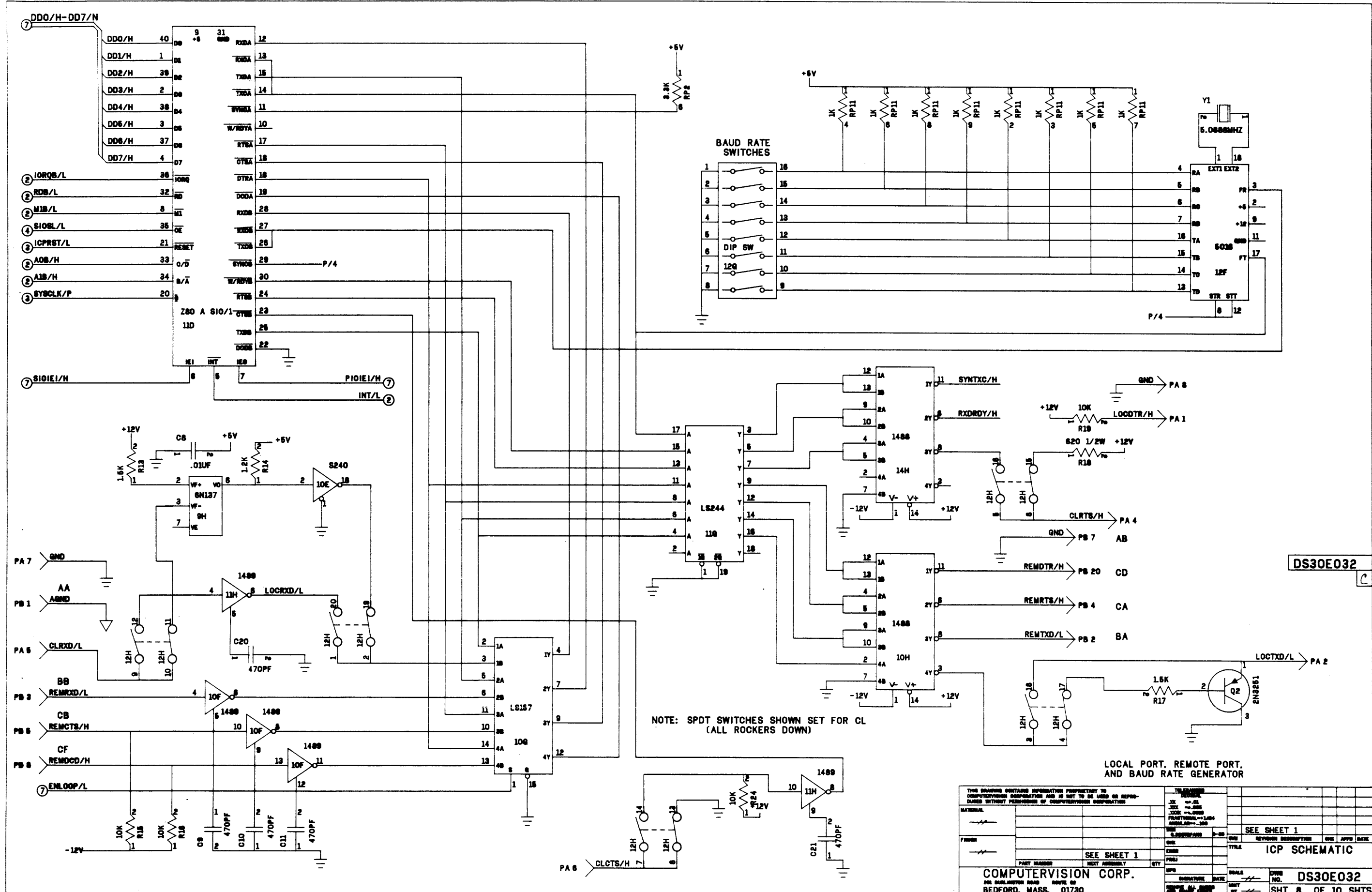


DS30E032

C

CTC, PRINTER INTERFACE, AND MISC. CONTROL BUS

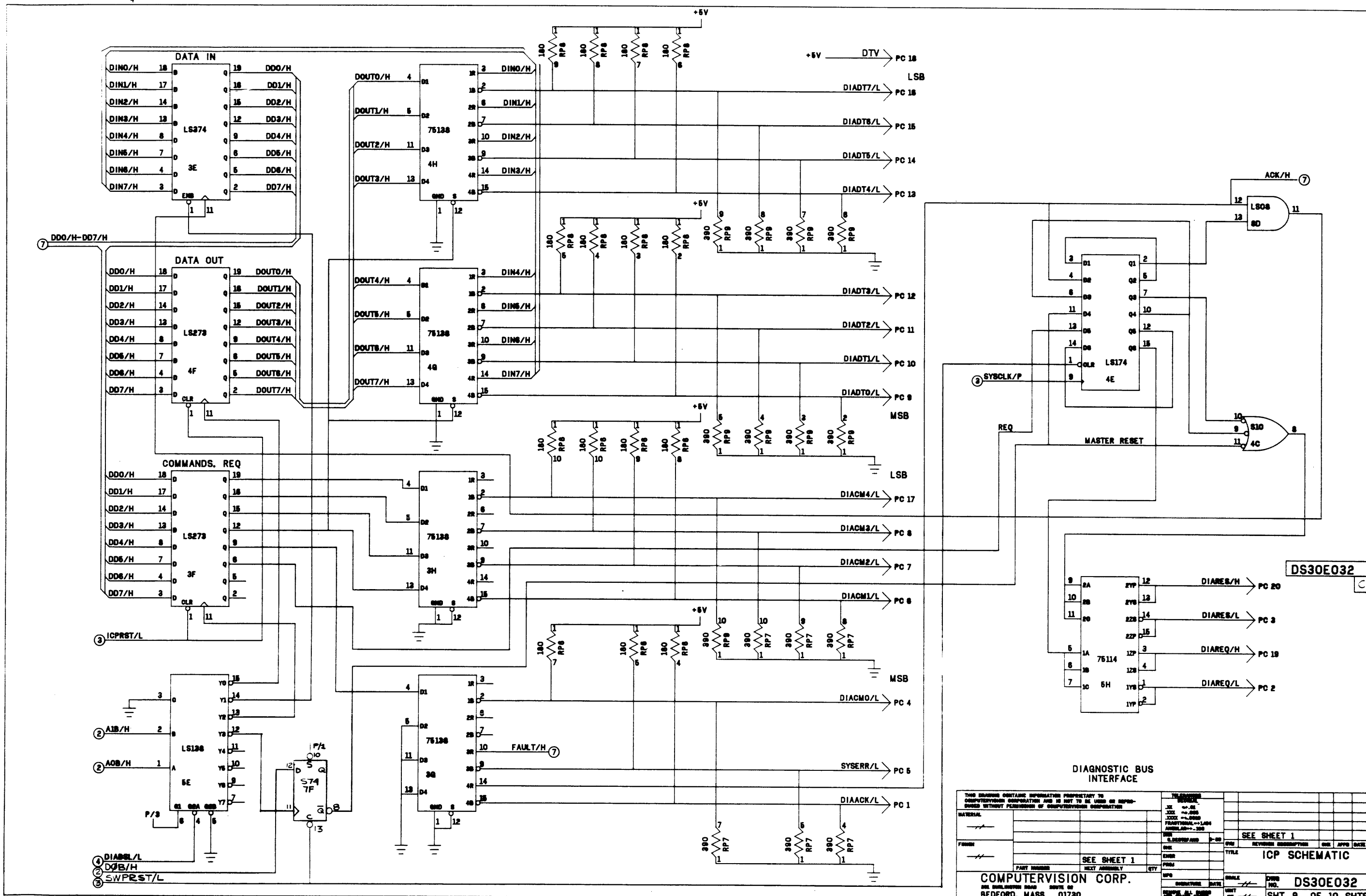
THIS DRAWING CONTAINS INFORMATION PROPRIETARY TO COMPUTERVERSION CORP. AND IS NOT TO BE USED OR REPRODUCED WITHOUT PERMISSION OF COMPUTERVERSION CORP.		TITLE: ICP SCHEMATIC SHEET: SHT 7 OF 10 SHTS DRAWN: [] CHECKED: [] DATE: []	
PART NUMBER: [] NEXT ASSEMBLY: [] QTY: []	SEE SHEET 1 SEE SHEET 1	SEE SHEET 1 SEE SHEET 1	SEE SHEET 1 SEE SHEET 1
COMPUTERVISION CORP. 200 BROADWAY BEDFORD, MASS. 01730		SCALE: [] DATE: []	DRAWN NO.: DS30E032 DATE: []



NOTE: SPDT SWITCHES SHOWN SET FOR CL (ALL ROCKERS DOWN)

LOCAL PORT, REMOTE PORT, AND BAUD RATE GENERATOR

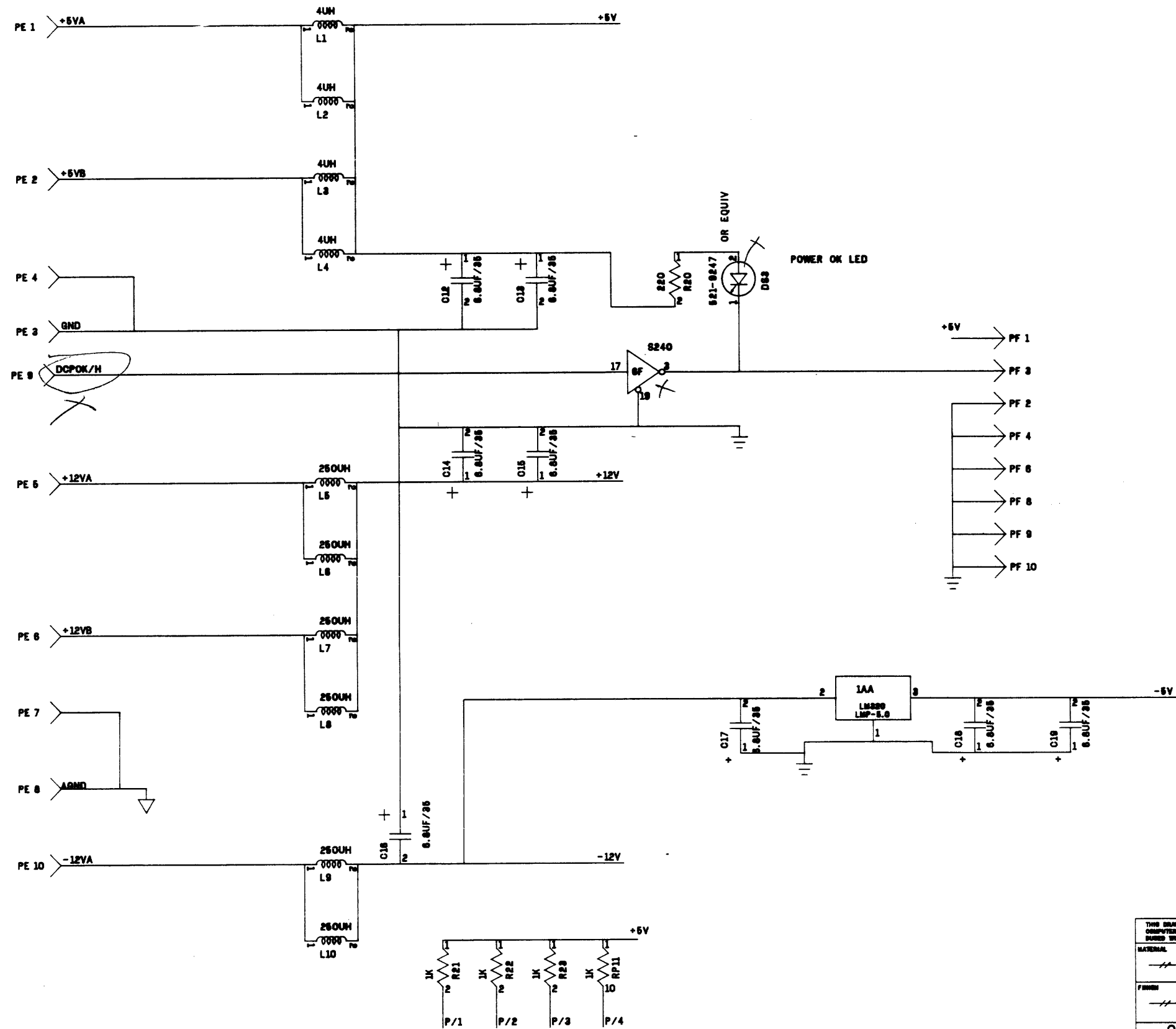
THIS DRAWING CONTAINS INFORMATION PROPRIETARY TO COMPUTERVISION CORPORATION AND IS NOT TO BE USED OR REPRODUCED WITHOUT PERMISSION OF COMPUTERVISION CORPORATION.		DATE: 01-82 DESIGNED BY: J. J. J. CHECKED BY: J. J. J. DRAWN BY: J. J. J. APPROVED BY: J. J. J.	
MATERIAL		SEE SHEET 1	
FINISH		REVISION DESCRIPTION	DATE
PART NUMBER		QTY	
COMPUTERVISION CORP.		1000 MAIN STREET BEDFORD, MASS. 01730	
DRAWN BY: J. J. J.		DATE: 01-82	SHEET NO. DS30E032 SHT 8 OF 10 SHTS



DIAGNOSTIC BUS INTERFACE

THIS DRAWING CONTAINS INFORMATION PROPRIETARY TO COMPUTERVISION CORPORATION AND IS NOT TO BE USED OR REPRODUCED WITHOUT PERMISSION OF COMPUTERVISION CORPORATION

MATERIAL	REV	DATE	BY	CHKD	APP'D	DATE
FORM	SEE SHEET 1					
PART NUMBER	NEXT ASSEMBLY	QTY				
COMPUTERVISION CORP.			SCALE	DWG NO.	DS30E032	
BEDFORD, MASS. 01780			UNIT	WT	SHT 9 OF 10 SHTS	



DS30E032 C

POWER INTERFACE

THIS DRAWING CONTAINS INFORMATION PROPRIETARY TO COMPUTERVISION CORPORATION AND IS NOT TO BE USED OR REPRODUCED WITHOUT PERMISSION OF COMPUTERVISION CORPORATION.		TELEPHONE 603-886-2000 FAX 603-886-2001 FRANKLIN, NH 03041 ADDRESS 300 SOUTH RIVER ST. BEDFORD, MASS. 01730	REV. 1 DATE 11/80 DESIGNED BY DRAWN BY CHECKED BY APPROVED BY
MATERIAL		SEE SHEET 1	
FINISH		SEE SHEET 1	
PART NUMBER		NEXT ASSEMBLY	QTY
COMPUTERVISION CORP.		DRAWING NO. DS30E032	
300 SOUTH RIVER ST.		SHEET NO. 10 OF 10 SHEETS	
BEDFORD, MASS. 01730			

REMARKS FORM

Your comments and suggestions will help us in our continuous effort to improve the quality and usefulness of our publications. All comments and suggestions become the property of Computervision.

TITLE: _____

Order No.: _____

TECHNICAL or EDITORIAL ERRORS (include page number):

SUGGESTIONS FOR IMPROVEMENT:

FROM:
(Please print)

NAME: _____ DATE _____

TITLE: _____

COMPANY NAME _____

ADDRESS _____

CITY _____ STATE _____ ZIP _____

Please cut along this line