

AUTOMATED BY PRTLST.4Q(50)

PARTS LIST

SHEET A1 OF A1

LINE	ITEM	TOP DOCUMENT	PART NUMBER	MIN REV	DESCRIPTION	QTY PER VARIATION	
						A	B
1	1	E-AD-7019499-0-DBU	7019499-00		CHASSIS ASSY	1	1
2	2	D-AD-7020481-0-DBU	7020481-01		PAN ASSY	1	1
3	3	D-AD-7021098-0-DBU	7021098-01		ENCLOSURE ASSY, BOTTOM	1	1
4	4	D-AD-7021503-0-DBU	7021503-01		ENCLOSURE ASSY, TOP	1	1
5	5	E-AD-7021148-0-DBU	7021148-01		DEC TALK	1	1
6	6	C-AD-7021099-0-DBU	7021099-01		SPEAKER ASSY.	1	1
7	7		1700428-01		CABLE ASSY 16COND 18AWG 19CIRCUIT	1	1
8	8		9009327-06		SCREW,MACH FILL SLOT 6-	2	2
9	9		3617905-07		LABEL,EQUIP SET 100-120V ENG,FR.	1	-
10	10		3617905-08		LABEL,EQUIP SET 220-240V ENG,FR.	-	1
11	11		9010174-00		SCREW,SEMS PAN PHIL 6-	4	4
12	12		4700097-01		SCREWDRIVER,MINI,WHITE W/DEC LOG	1	1
13	13		1700313-01		CABLE ASSY.BC22D W/CONN 10'	1	1
14	14		1215336-00		CONN,TEST,W/BALL CHAIN	1	1
15	15		1221126-04		FUSE CARRIER 5X20 MM FUSE	-	1
16	16		1219285-00		FUSE, 1A 250V, LOW BREAKING C	-	1
17	17		3700700-01		PKG SYSTEM VS240	1	1

18 NOTE: WHEN ITEMS 15 AND 16 ARE USED, SEE E-UA-DTC01-0-DBU FOR INSTALLATION.

REVISION HISTORY		BASIC PART NO: DTC01		DRN: J. FOLEY	DATE: 1-JUL-83	D I G I T A L		
ENG:	ECO NUMBER	REV	SECTION A OF A	CHK'D: C. LARSEN	DATE:	TITLE PARTS LIST DTC01 UNIT ASSEMBLY		
	INITIAL	A	SECTION VARIATION INDEX [A]A ,B	DES.ENG: J. LEWIS	DATE:	DOCUMENT NUMBER		
			[B]	RESP.ENG.: J. LEWIS	DATE:	SIZE: K	CODE: PL	NUMBER: DTC01-0-DBP
			[C]	MFG.ENG.: J. FAY	DATE:	RELEASE DATE: 20-JAN-84		
			[D]	ASSEMBLY NUMBER: E-UA-DTC01-0-DBU	TOP DOCUMENT NUMBER: B-DD-DTC01-0-0	FILE NAME: Z7524A.PLS	EDIT #: 6	
			[E]	"THIS DRAWING AND THE SPECIFICATIONS CONTAINED HEREIN ARE CONFIDENTIAL AND PROPRIETARY. THEY ARE THE PROPERTY OF DIGITAL EQUIPMENT CORPORATION AND SHALL NOT BE REPRODUCED OR COPIED OR USED IN WHOLE OR IN PART AS THE BASIS FOR THE MANUFACTURE OR SALE OF ITEMS WITHOUT WRITTEN PERMISSION. THIS IS AN UNPUBLISHED WORK PROTECTED UNDER THE FEDERAL COPYRIGHT LAWS."				
			[F]					

REVISIONS
1-1
1984

REWORK INSTRUCTIONS:

ECO #1, SIDE 1:

COMPONENT ADDS & DELETES:

- 1-1. REMOVE E64 (P/N 19125-4-00), ADD E64 (P/N 191232-4-00).
- 1-2. INSERT RESISTOR R502 (P/N 1302602-00) BETWEEN E96-10 AND E96-11.
- 1-3. INSERT CAPACITOR C503 (P/N 1010978-24) BETWEEN E96-9 AND E96-12.
- 1-4. CONNECT E72-12 TO E77-5 WITH WIRE.
- 1-5. CONNECT E97-5 TO E77-6 WITH WIRE.
- 1-6. CONNECT E97-4 TO E77-10 WITH WIRE.
- 1-7. CONNECT E72-1 TO E77-9 WITH WIRE.
- 1-8. CONNECT E72-2 TO E77-10 WITH WIRE.
- 1-9. CONNECT E72-19 TO E77-11 WITH WIRE.
- 1-10. CONNECT E106-3 TO E77-9 WITH WIRE.
- 1-11. CONNECT E63-8 TO R502 BOTTOM PIN (E95 SIDE) WITH WIRE.
- 1-12. CONNECT R502 TOP PIN (E97 SIDE) TO E64-10 WITH WIRE.
- 1-13. CONNECT R502 TOP PIN (E97 SIDE) TO C803 TOP PIN (E97 SIDE) WITH WIRE.
- 1-14. CONNECT C803 BOTTOM PIN (95 SIDE) TO C70 BOTTOM PIN (95 SIDE) WITH WIRE.

J
H
F
E
D
C
B
A

J
H
F
E
D
C
B
A

151596-01-B

REVISION HISTORY
ECO NUMBER
DATE

8 7 6 5 4 4 3 1 2

TITLE	DEC TAL*
DOCUMENT NUMBER	151596-01-B
SCALE	Sheet 2 OF 2

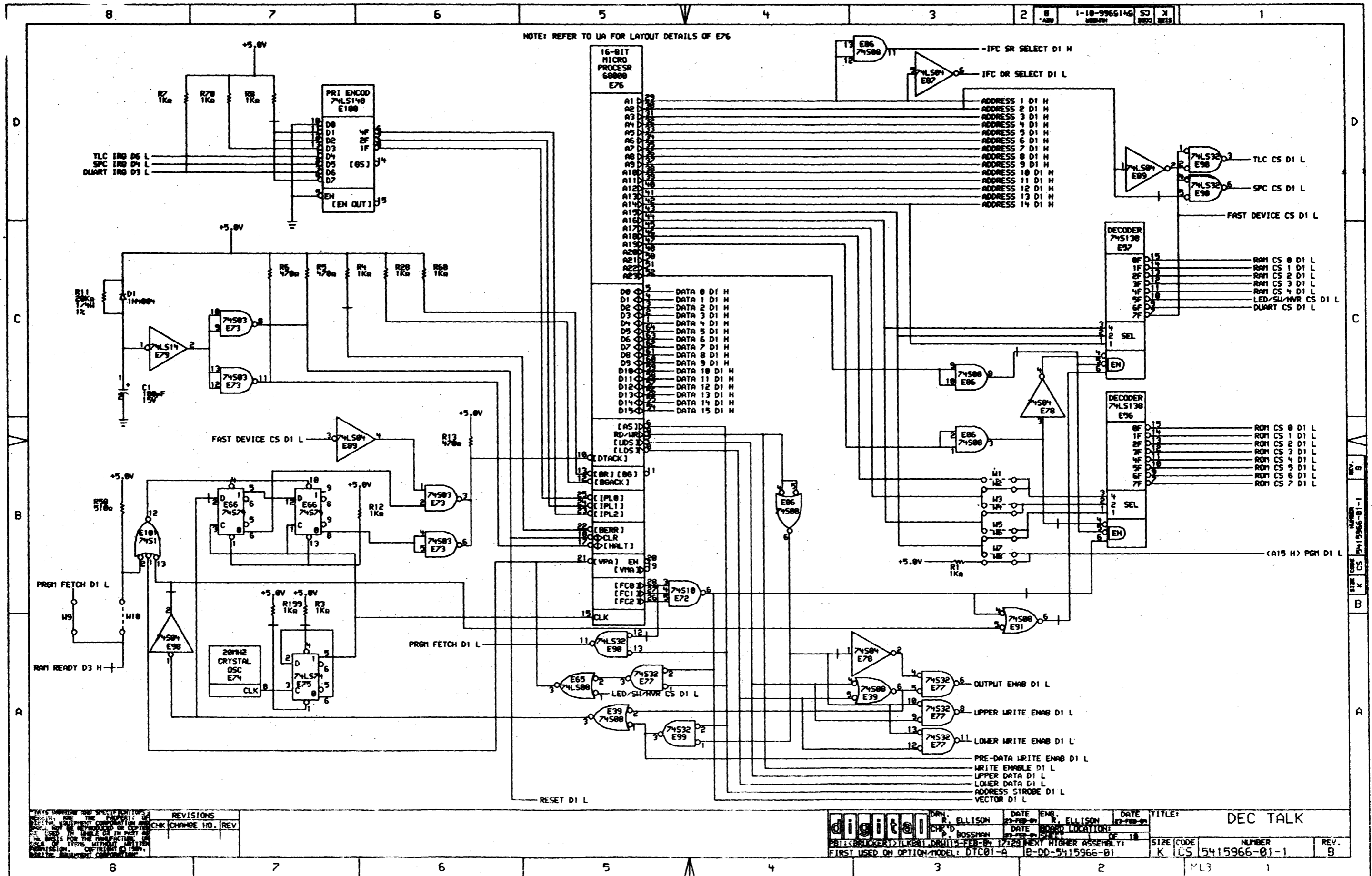
LINE	ITEM	TOP DOCUMENT	PART NUMBER	MIN REV	DESCRIPTION	QTY PER VARIATION	REFERENCE DESIGNATOR
						00	
1	1	B-DD-5015965-01	5015965-01		CIRCUIT DRILL AND ETCH BOARD	1	
2	2		1002781-00		100 MFD 25V +75-10% AL EL	3	C81,C100,C104
3	3		1005784-00		.01 MFD 100V 200V 10% MYL	1	C17
4	4		1009433-00		190 MFD 12V +75-10% AL EL	2	C800,C801
5	5		1010978-36		.1 MFD 50V 10% CER	1	C14
6	6		1012084-01		8 MFD 25V +75-10% AL EL	2	C5,C703
7	6		1012784-00		.047 MFD 50V +80-20% CER	54	C12,C13,C35-C80,C101-C103, C105-C107
8	9		1013466-01		10.0 MMF 50V 5% CER	2	C501,C502
9	10		1013466-08		690.0 MMF 50V 10% X7R CER	2	C15,C16
10	11		1013466-09		1000.0 MMF 50V 10% X7R CER	1	C802
11	12		1013466-11		.22 MFD 50V +80-20% Z5U CER	1	C701
12	13		1013466-18		330.0 MMF 50V 5% CER	1	C500
13	14		1013466-22		.1 MFD 50V +80-20% Z5U CER	1	C702
14	15		1021004-01		1 MFD 200V 20% NET.MYLR	1	C700
15	16		1102421-00		VZ= 6.2 5% 400 MW 1N753A	2	D2,D3
16	17		1103340-00		VZ= 6.8 5% 1 W 1N4736A	2	D75,D76
17	16		1105796-00		PIV= 400 10= 1.00A 1N4004 DO-41	4	D70-D73
18	19		1114058-00		TRANS.SUPP. 24V 1N6048	1	D77
19	20		1114136-00		LED 16MA 5V	8	D5-D12
20	21		1117373-00		LED ASSY GREEN	1	D13
21	22		1219679-05		CONN,D SUB 25PIN ASSY RT ANGLE P	2	J1,J2
22	23		1216652-13		PCB,HEADER 19PIN(1X19).156CC STR	1	J7
23	24		1218826-01		CONN,PHONE JACK 06 POS	2	J6,J8
24	25		1219251-00		PCB,HEADER 02PIN(1X02).100CC STR	1	J4
25	25		1220156-01		RLY,MINI 9.6V COIL	1	E37
26	27		1220912-01		CONN,PHONE JACK 2POS PC	2	J3,J5
27	28		1300229-00		100.0 .25 W 5.0 % CF	1	R59
28	29		1300316-00		470.0 .25 W 5.0 % CF	3	R5,R6,R13
29	30		1300365-00		1.0 K .25 W 5.0 % CF	25	R1,R3,R4,R7,R8,R10,R12,R14,R24,

REVISION HISTORY		BASIC PART NO: 5415966		DRN: V.MANGAUDIS		DATE: 10-AUG-83		DIGITAL	
ENGR	ECO NUMBER	REV	SECTION A OF A	CHK'D:	P.BOSSMAN	DATE:	10-AUG-83	TITLE	PARTS LIST
RE.EI	INITIAL	1A	SECTION VARIATION INDEX	CHK'D:	P.BOSSMAN	DATE:	10-AUG-83	DEC TALK	
RE.BI	5415966-ML001	1B	[A] 00						
			[B]						
			[C]	DES.ENG:	R.ELLISON	DATE:	10-AUG-83	DOCUMENT NUMBER	
			[D]					SIZE	CODE
			[E]	RESP.ENG.:	E.BRUCKERT	DATE:	10-AUG-83	K	PL
			[F]					5415966-01-DBP	B
			[G]						
			[H]	IMG.ENG.:	B.WOODARD	DATE:		RELEASE DATE:	14-FEB-84
			[I]						
			[J]	ASSEMBLY NUMBER:		TOP DOCUMENT NUMBER:		FILE NAME:	EDIT #
			[K]	ID-JA-5415966-0-0		#B-DD-5415966-01		Z5939B.PLS	22
			[L]						

"THIS DRAWING AND THE SPECIFICATIONS CONTAINED HEREIN ARE CONFIDENTIAL AND PROPRIETARY. THEY ARE THE PROPERTY OF DIGITAL EQUIPMENT CORPORATION AND SHALL NOT BE REPRODUCED OR COPIED OR USED IN WHOLE OR IN PART AS THE BASIS FOR THE MANUFACTURE OR SALE OF ITEMS WITHOUT WRITTEN PERMISSION. THIS IS AN UNPUBLISHED WORK PROTECTED UNDER THE FEDERAL COPYRIGHT LAWS."

LINE ITEM	TOP DOCUMENT	PART NUMBER	MIN REV	DESCRIPTION	VARIATION REVISION LEVEL:	QTY PER VARIATION	REFERENCE DESIGNATOR
						00	
76	77	1812396-14		XTAL	3.579545MHZ	1	Y2
77	78	1812396-16		XTAL	3.6864 MHZ	1	Y3
78	79	1910298-00		741	OP AMP GEN PURP. COM	7	E58-E60,E68,E92,E102,E108
79	80	1910406-00		75451	DRIVER,PERIPH,DUAL,	1	E42
80	81	1910533-00		74S03	NAND GATE-QUAD 2IN,0	1	E73
81	82	1910534-00		74S04	INVERTER GATE-HEX 1I	2	E78,E98
82	83	1910536-00		74S10	NAND GATE-TRIPLE 3IN	1	E72
83	84	1910537-00		74S11	AND GATE-TRIPLE 3INP	1	E101
84	85	1911675-00		74S138	DECODER/DEMUX 3-8 LI	1	E57
85	86	1912389-00		74S08	AND GATE-QUAD 2IN,PO	3	E39,E86,E91
86	87	1916139-00		LS126A	BUS DRIVER,QUAD	3	E28,E55,E94
87	88	1912697-00		LS174	FF-D HEX W/CLEAR	2	E81,E83
88	89	1912799-00		LS00	NAND-GATE-QUAD 2IN,P	2	E31,E93
89	90	1912801-00		LS02	NOR-GATE-QUAD 2IN	2	E26,E97
90	91	1912803-00		LS04	INVERTER GATE,HEX	2	E87,E89
91	92	1912805-00		LS08	AND GATE-QUAD 2IN,PO	1	E65
92	93	1912813-00		LS27	NOR GATE-TRIPLE 3IN	3	E38,E104,E106
93	94	1912816-00		LS32	OR GATE-QUAD 2IN,POS	3	E9,E27,E90
94	95	1912824-00		LS74	FF-D DUAL,EDGE TRIGG	5	E29,E95,E103,E75,E64
95	96	1912842-00		LS138	DECODER-THREE INPUT,	1	E56
96	97	1912863-00		LS273	FF-D OCTAL W/CLEAR	1	E23
97	98	1913340-00		74S32	OR GATE-QUAD 2IN	3	E63,E77,E99
98	99	1913414-00		LS14	INVERTER GATE-HEX SC	1	E79
99	100	1915193-00		LS244	DRIVER,LINE,OCTAL,T	3	E30,E54,E85
100	101	1915415-00		9636	DRIVER,DUAL,EIA RS-	2	E10,E13
101	102	1919013-00		LS143	PRIORITY ENCODER,8 T	1	E100
102	103	1919542-01		9639	RECEIVER,LINE,DUAL	3	E14,E24,E25
103	104	2117006-00		7541KM	CMOS 12BIT D TO ,A	1	E107
104	105	2119876-01		8860	DIMF DECODER CMOS	1	E80
105	106	2120263-01		2212	RAM 256X4 NON-VOLATI	1	E11
106	107	2120321-01		320	SIGNAL PROCESSOR	1	E51
107	108	9009185-00		JUMPER, WIRE, INSULATED, BLACK B		8	W51,W2,W4,W6,W8,W9,W32,W36
108	109	1000002-03		180	MFD 15V 10% S.TANT	1	C1
109	110	1017891-00		.01	MFD 50V 1% POLYPROP	7	C6-C11,C18
110	111	1100100-00		PIV= 25 IO=100 MA -50MS		1	D1
111	112	2121384-02		RAM 8KX8,STATIC 150		6	E34-E36,E47-E49
112	113	1921241-01		74LS224	16X4 FIFO MEMORY 3-S	11	E40,E41,E43,E44,E52,E53,E61,E62,
							COMT
113	114	1913009-00		4N36	OPTO COUPLED ISLIR	1	E71,E82,E84
114	115	1913933-00		3403	OP AMP,QUAD	1	E50
115	116	1302394-00		*** THIS ITEM IS NOT USED ***			E110
116	117	1300487-00		12.0	K .50 W 5.0 % CF	2	R700,R718
117	118	1302862-00		50.0	K .25 W 1.0 % RN55D-F10	1	R715
118	119	1302859-00		5.76	K .25 W 1.0 % RN55D-F10	2	R800,R815
119	120	1313598-00		32.40	K .25 W 1.0 % RN55D-F10	1	R806
120	121	1313589-00		1.40	K .25 W 1.0 % RN55D-F10	2	R810,R822
121	122	1313595-00		17.40	K .25 W 1.0 % RN55D-F10	1	R816
122	123	1304868-00		2.74	K .25 W 1.0 % RN55D-F10	1	R817

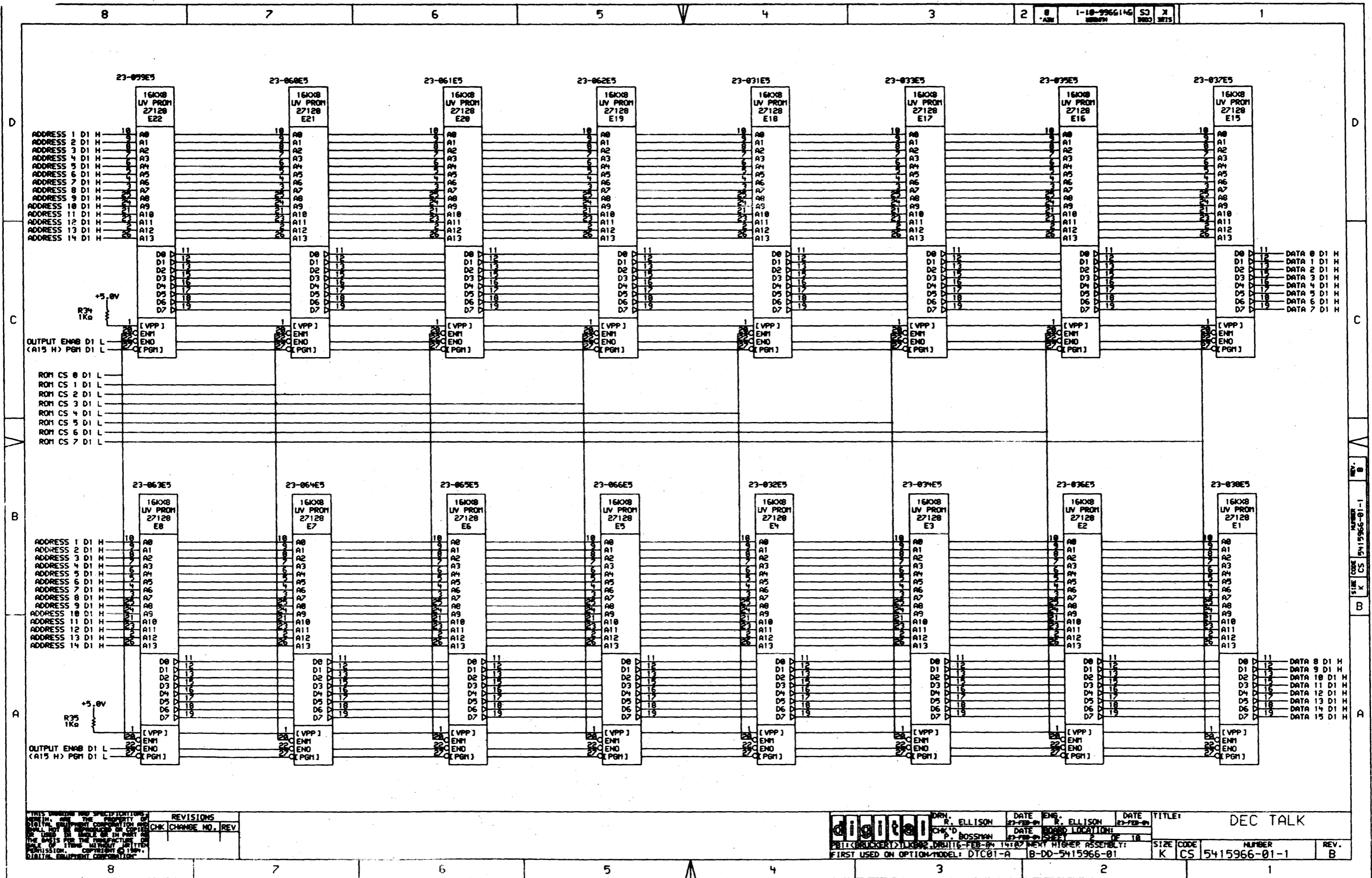
ID	IGITAL	TITLE	SECTION	OF	SIZE	CODE	DOCUMENT NUMBER	REV
		DEC TALK	A	A			5415966-01-DBP	B



NOTE: REFER TO UA FOR LAYOUT DETAILS OF E76

REVISIONS	CHANGE NO.	REV

	DRN. ELLISON	DATE 82-02-01	ENG. ELLISON	DATE 82-02-01	TITLE: DEC TALK
	CHK'D BOSSMAN	DATE 82-02-01	DATE 82-02-01	DATE 82-02-01	DATE 82-02-01
FIRST USED ON OPTION MODEL: DTC01-A			NEXT HIGHER ASSEMBLY: B-DD-5415966-01		
SIZE CODE K CS	NUMBER 5415966-01-1	REV. B	ML3		

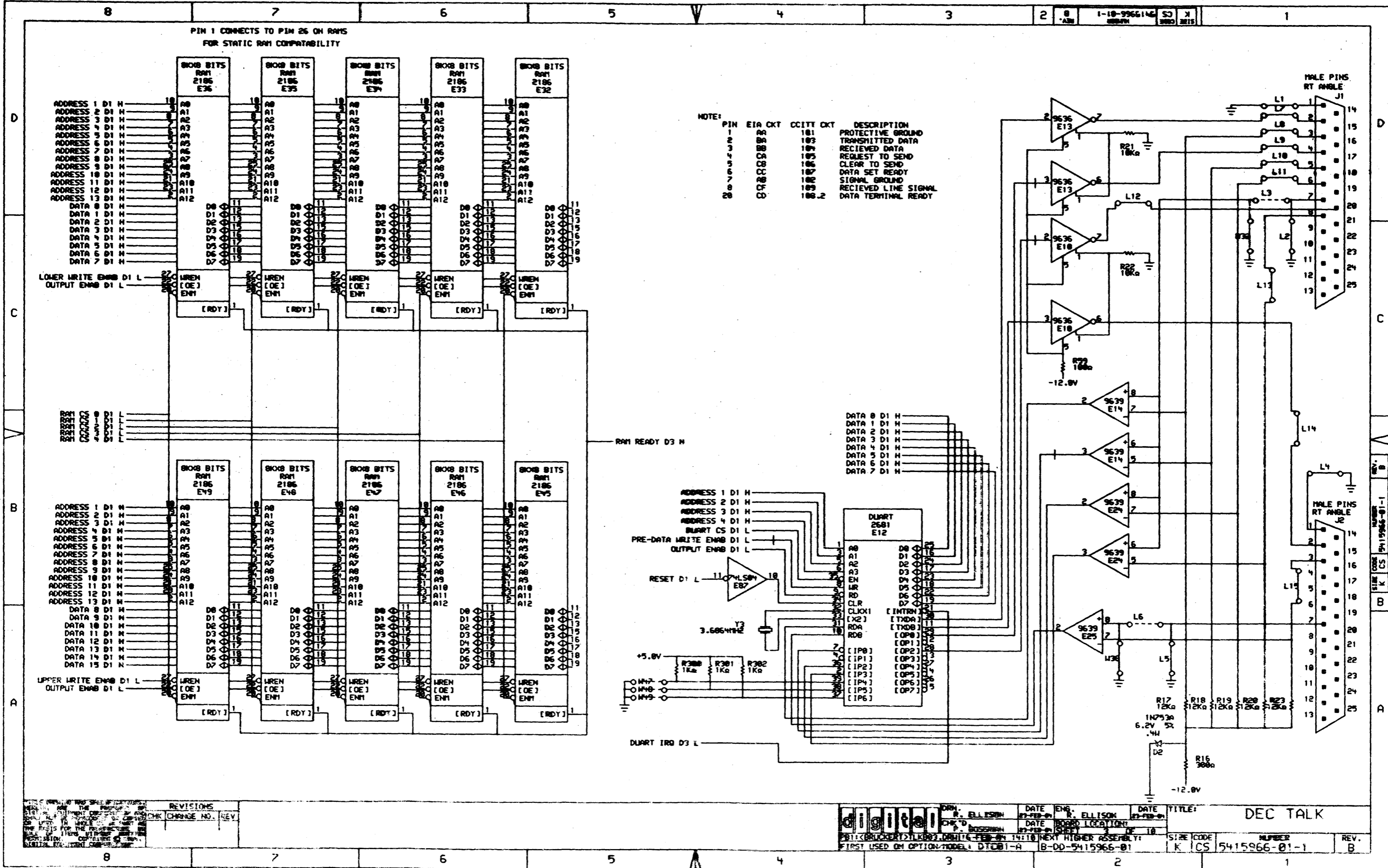


THIS DRAWING AND SPECIFICATIONS ARE THE PROPERTY OF DIGITAL EQUIPMENT CORPORATION AND ARE NOT TO BE REPRODUCED OR TRANSMITTED IN ANY FORM OR BY ANY MEANS, ELECTRONIC OR MECHANICAL, INCLUDING PHOTOCOPYING, RECORDING, OR BY ANY INFORMATION STORAGE AND RETRIEVAL SYSTEM.

REVISIONS		
CHK	CHANGE NO.	REV

	DRN. R. ELLISON DATE 22-FEB-81	ENG. R. ELLISON DATE 22-FEB-81	TITLE: DEC TALK
	CHK'D P. BOSSMAN DATE 22-FEB-81	DESIGNED BY: R. ELLISON CHECKED BY: P. BOSSMAN	FIRST USED ON OPTION MODEL: DTC01-A NEXT HIGHER ASSEMBLY: 18-DD-5415966-01
SIZE	CODE	NUMBER	REV.
K	CS	5415966-01-1	B

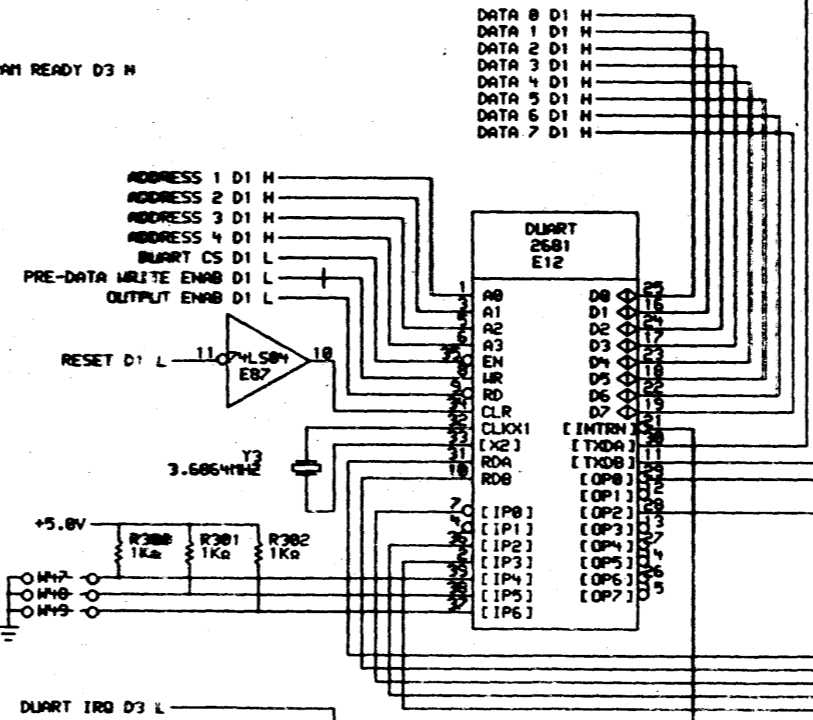
SIZE CODE NUMBER REV.
 K CS 5415966-01-1 B



PIN 1 CONNECTS TO PIN 26 ON RAMS
FOR STATIC RAM COMPATIBILITY

NOTE:

PIN	EIA CKT	CCITT CKT	DESCRIPTION
1	BA	181	PROTECTIVE GROUND
2	BA	183	TRANSMITTED DATA
3	BB	184	RECEIVED DATA
4	CA	185	REQUEST TO SEND
5	CB	186	CLEAR TO SEND
6	CC	187	DATA SET READY
7	CB	188	SIGNAL GROUND
8	CF	189	RECEIVED LINE SIGNAL
20	CD	186.2	DATA TERMINAL READY



ADDRESS 1 D1 H
ADDRESS 2 D1 H
ADDRESS 3 D1 H
ADDRESS 4 D1 H
ADDRESS 5 D1 H
ADDRESS 6 D1 H
ADDRESS 7 D1 H
ADDRESS 8 D1 H
ADDRESS 9 D1 H
ADDRESS 10 D1 H
ADDRESS 11 D1 H
ADDRESS 12 D1 H
ADDRESS 13 D1 H
DATA 0 D1 H
DATA 1 D1 H
DATA 2 D1 H
DATA 3 D1 H
DATA 4 D1 H
DATA 5 D1 H
DATA 6 D1 H
DATA 7 D1 H

LOWER WRITE ENAB D1 L
OUTPUT ENAB D1 L

RESET D1 L
PRE-DATA WRITE ENAB D1 L
OUTPUT ENAB D1 L

ADDRESS 1 D1 H
ADDRESS 2 D1 H
ADDRESS 3 D1 H
ADDRESS 4 D1 H
ADDRESS 5 D1 H
ADDRESS 6 D1 H
ADDRESS 7 D1 H
ADDRESS 8 D1 H
ADDRESS 9 D1 H
ADDRESS 10 D1 H
ADDRESS 11 D1 H
ADDRESS 12 D1 H
ADDRESS 13 D1 H
DATA 0 D1 H
DATA 1 D1 H
DATA 2 D1 H
DATA 3 D1 H
DATA 4 D1 H
DATA 5 D1 H
DATA 6 D1 H
DATA 7 D1 H

UPPER WRITE ENAB D1 L
OUTPUT ENAB D1 L

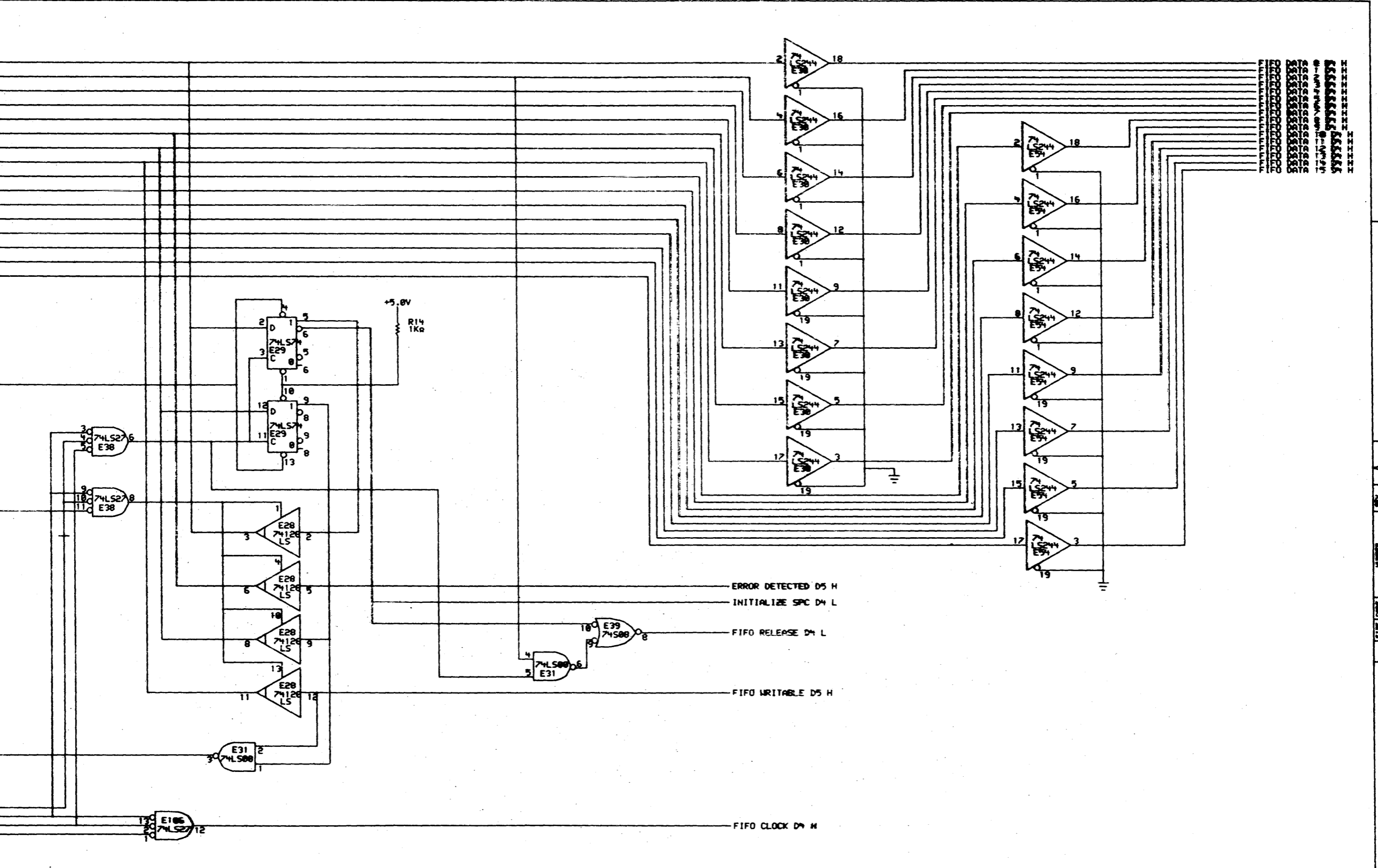
DATA 0 D1 H
 DATA 1 D1 H
 DATA 2 D1 H
 DATA 3 D1 H
 DATA 4 D1 H
 DATA 5 D1 H
 DATA 6 D1 H
 DATA 7 D1 H
 DATA 8 D1 H
 DATA 9 D1 H
 DATA 10 D1 H
 DATA 11 D1 H
 DATA 12 D1 H
 DATA 13 D1 H
 DATA 14 D1 H
 DATA 15 D1 H

RESET D1 L

OUTPUT ENAB D1 L

SPC TRD D4 L

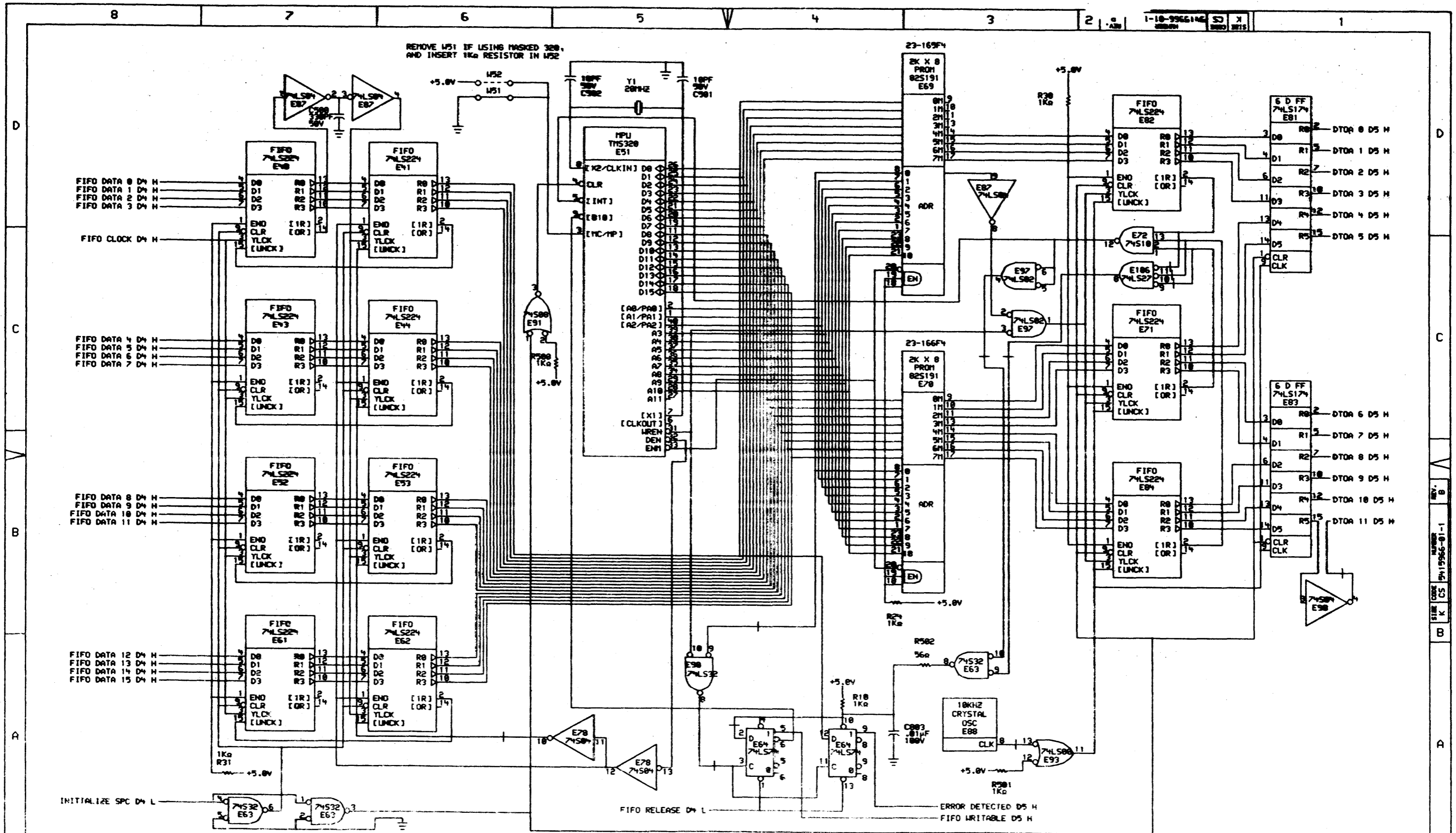
-IFC SR SELECT D1 H
 SPC CS D1 L
 LOWER WRITE ENAB D1 L
 IFC DR SELECT D1 L



REVISIONS	
CHK	CHANGE NO. REV

	DRW. R. ELLISON	DATE 22-FEB-69	ENG. R. ELLISON	DATE 22-FEB-69	TITLE: DEC TALK
	CHK'D P. BOSSERT	DATE 23-FEB-69	DATE 23-FEB-69	NO. OF SHEETS 4 OF 18	
FIRST USED ON OPTION MODEL: DTC01-A			NEXT HIGHER ASSEMBLY: B-DD-5415966-01		SIZE CODE K CS NUMBER 5415966-01-1 REV. B

REV. B
 5415966-01-1
 CS K B

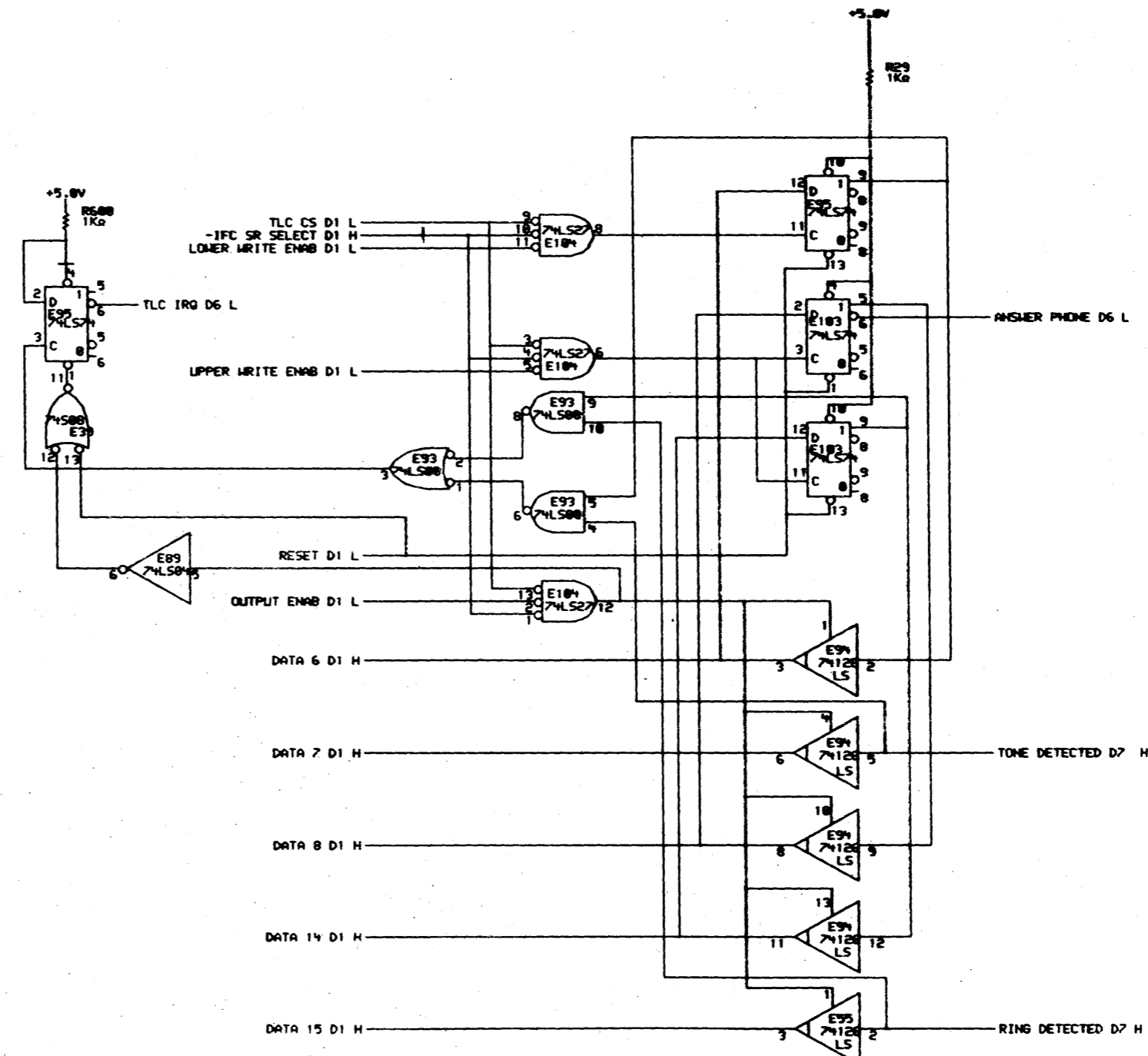
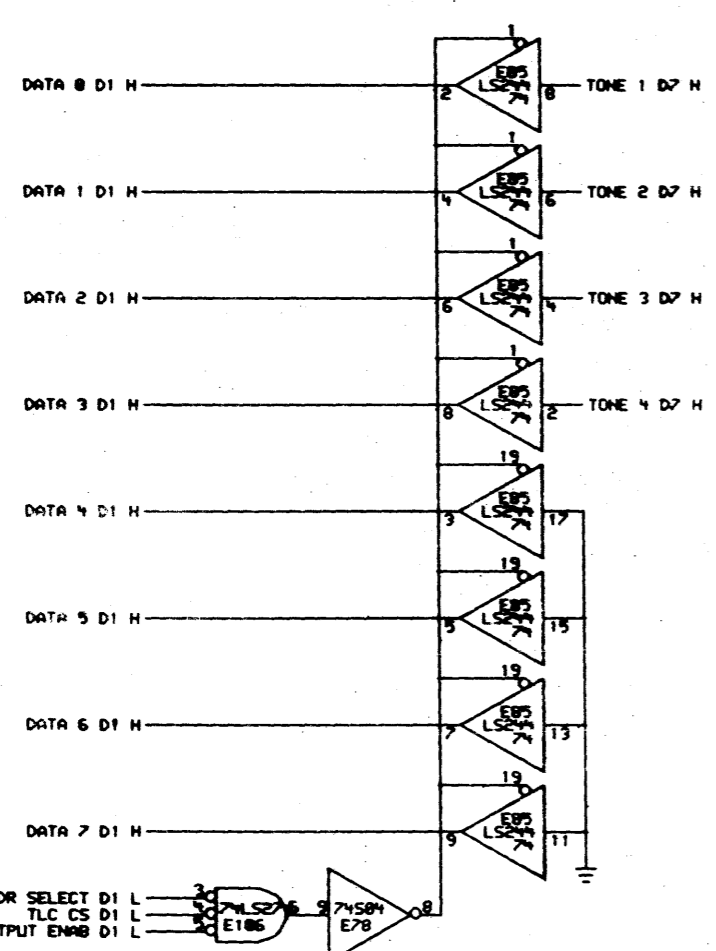


REMOVE W51 IF USING MASKED 300,
AND INSERT 1KΩ RESISTOR IN W52

1-10-9566-142 CS X INTS

REVISIONS
 1. CHANGE NO. REV
 2. CHANGE NO. REV
 3. CHANGE NO. REV

DRN: R. ELLISON	DATE: 82-FEB-80	ENG: R. ELLISON	DATE: 82-FEB-80	TITLE: DEC TALK
CHK: D. BOSSMAN	DATE: 82-FEB-80	DESIGN LOCATION: 18	SIZE: K CS	NUMBER: 5415966-21-1
FIRST USED ON OPTION MODEL: DTC01-A	B-DD-5415966-01	REV: B		

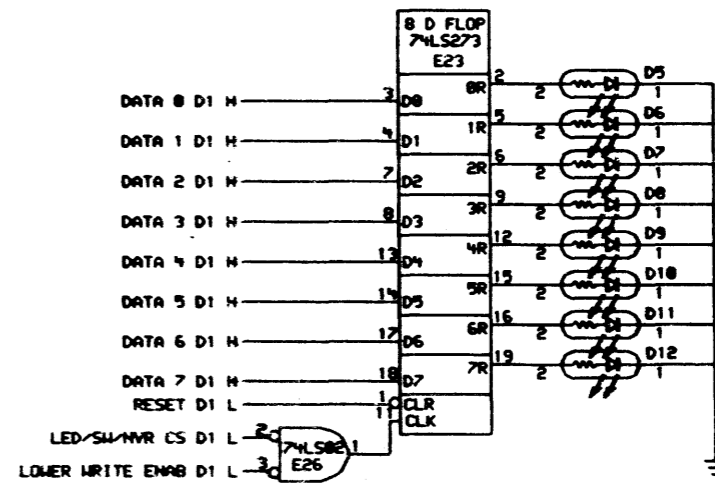
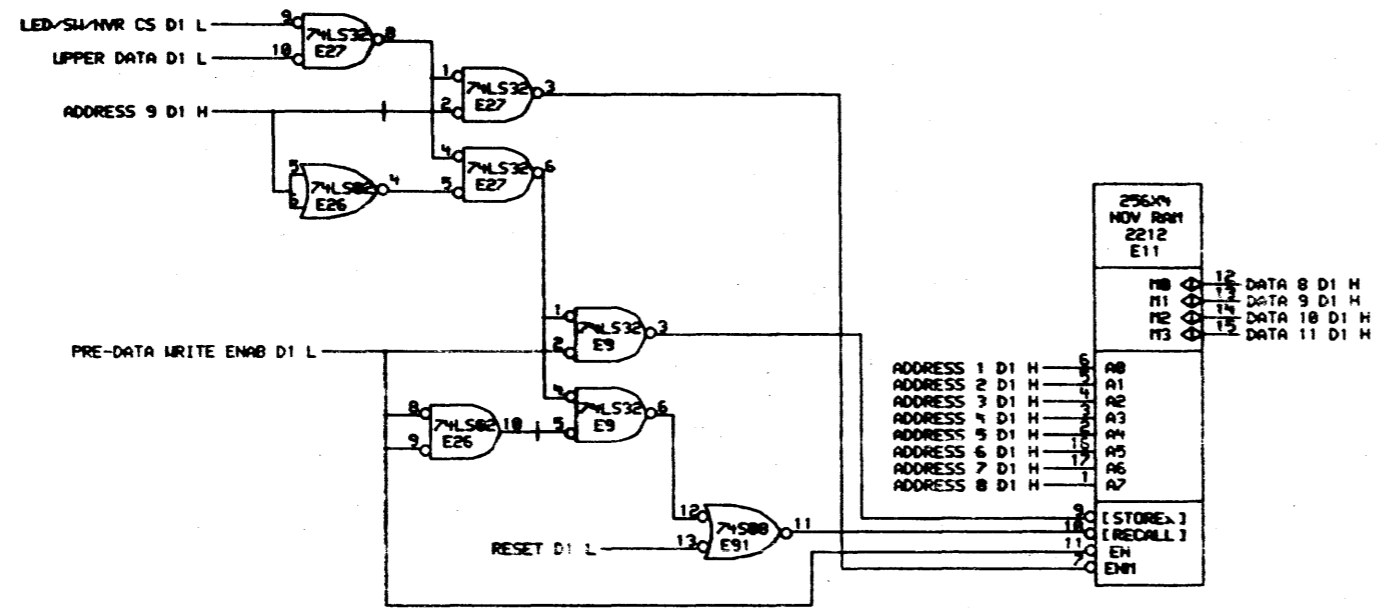


THIS DRAWING AND SPECIFICATIONS ARE THE PROPERTY OF DIGITAL EQUIPMENT CORPORATION. IT IS TO BE USED IN WHOLE OR IN PART FOR THE MANUFACTURE OF DIGITAL EQUIPMENT WITHOUT WRITTEN PERMISSION. COPYRIGHT © 1971

REVISIONS	
CHK	CHANGE NO. REV

	DRY. R. ELLISON	DATE 23-FEB-71	ENG. R. ELLISON	DATE 23-FEB-71	TITLE: DEC TALK
	CHK'D P. BOSSMAN	DATE 23-FEB-71	DATE 23-FEB-71	DATE 23-FEB-71	
11: C. BRUCKERT & T. KERR, DRAFTS-FEB-71 15143 NEXT HIGHER ASSEMBLY: FIRST USED ON OPTION MODEL: DTC01-A B-00-5415966-01	SIZE	CODE	K CS	NUMBER	5415966-01-1
				REV.	B

REV. B
NUMBER 5415966-01-1
SIZE CODE K CS



REVISIONS	
CHG	NO. REV

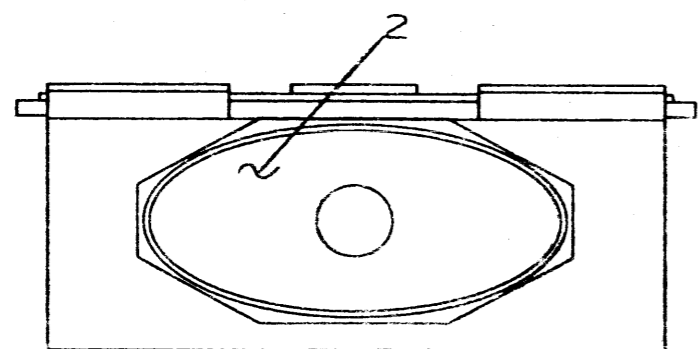
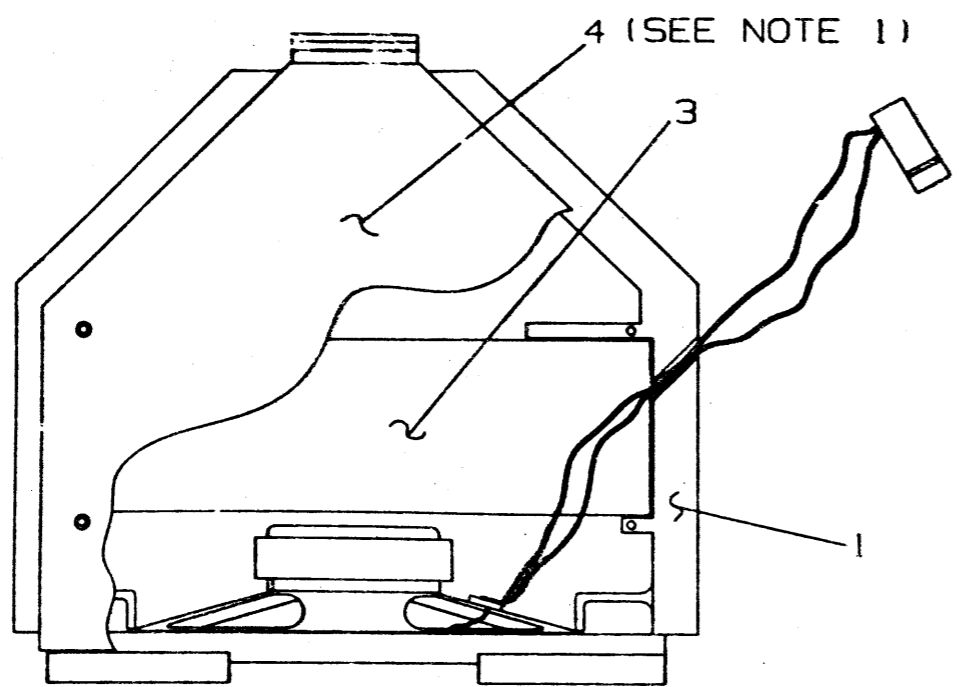
	DRN. R. ELLISON	DATE 27-FEB-81	ENG. R. ELLISON	DATE 27-FEB-81	TITLE: DEC TALK
	CHK'D P. BOSSMAN	DATE 27-FEB-81	DRG'D LOCATION 		
FIRST USED ON OPTION MODEL: DCT01-A			18-DC-5415966-01		SIZE CODE K CS
				NUMBER 5415966-01-1	REV. B

THIS DRAWING AND SPECIFICATIONS HEREBY ARE THE PROPERTY OF DIGITAL EQUIPMENT CORPORATION AND SHALL NOT BE REPRODUCED OR COPIED IN WHOLE OR IN PART AS THE BASIS FOR THE MANUFACTURE OR SALE OF ITEMS WITHOUT WRITTEN PERMISSION.
 COPYRIGHT © 1983 DIGITAL EQUIPMENT CORPORATION

LEGEND		
PART NO.	REV	VARIATION
7021099-0	A1	AS SHOWN

NOTES:

1. PEEL OFF RELEASE LINER AND PLACE GASKET ADHESIVE SIDE DOWN ON SPEAKER ENCLOSURE (ITEM 1) LOCATING 4 HOLES IN GASKET OVER 4 PEGS ON SPEAKER ENCLOSURE.



CAUTION: OFF SHEET PARTS LIST EXISTS
 SEE K-PL-7021099-DBP

FIRST HIGHER ASS'Y
 E-UA-DTC01-0-DBU

DESCRIPTION	DRAWING NO.	PART NO.	ITEM NO.
UNLESS OTHERWISE SPECIFIED DIMENSIONS ARE IN INCHES AND THE FOLLOWING TOLERANCES APPLY (PER DEC STD 114)			
INCHES TOLERANCES .X = ±.1 .XX = ±.02 .XXX = ±.005	ANGLES 40° 30' SURFACE QUALITY MICROINCHES	APPLICABLE DIMENSION RANGE (CHECK ONE)	
		<input type="checkbox"/> OVER 0 TO 0.2	<input type="checkbox"/> OVER 0.2 TO 1.2
		DIMENSION RANGE IN INCHES	
		<input type="checkbox"/> OVER 1.2 TO 4.0	<input type="checkbox"/> OVER 4.0 TO 12.0
		<input type="checkbox"/> OVER 12.0 TO 40.0	<input type="checkbox"/> OVER 40.0 TO 80.0
		<input type="checkbox"/> ±.004	<input type="checkbox"/> ±.008
		<input type="checkbox"/> ±.012	<input type="checkbox"/> ±.016
		<input type="checkbox"/> ±.024	<input type="checkbox"/> ±.031
THIRD ANGLE PROJECTION	DRN JOHN FOLEY DATE 30 JUN 83	TITLE digital	
DO NOT SCALE DRAWING	CHK'D N E NICHOLS DATE 30 NOV 83	SPEAKER ASSEMBLY	
REMOVE BURRS AND BREAK SHARP CORNERS	DES. ENG. JEFF LEWIS DATE 30 NOV 83		
MATERIAL	RESP. ENG. DAN BELANGER DATE 30 NOV 83	DOCUMENT NUMBER	
SEE K.P.L.	MFG. ENG. JIM FAY DATE 30 NOV 83	SIZE C AD	CODE 7021099 0-DBU
FINISH NONE	TOP DEC. C-AD-7021099-0-DBU	NUMBER 7021099 0-DBU	REV. A
		SCALE 1/1	SHEET 1 OF 1

REV.	INITIAL
A	

REV. A
 NAME
 C-AD-7021099-0-DBU
 SIZE CODE
 C-AD

A

4

3

2

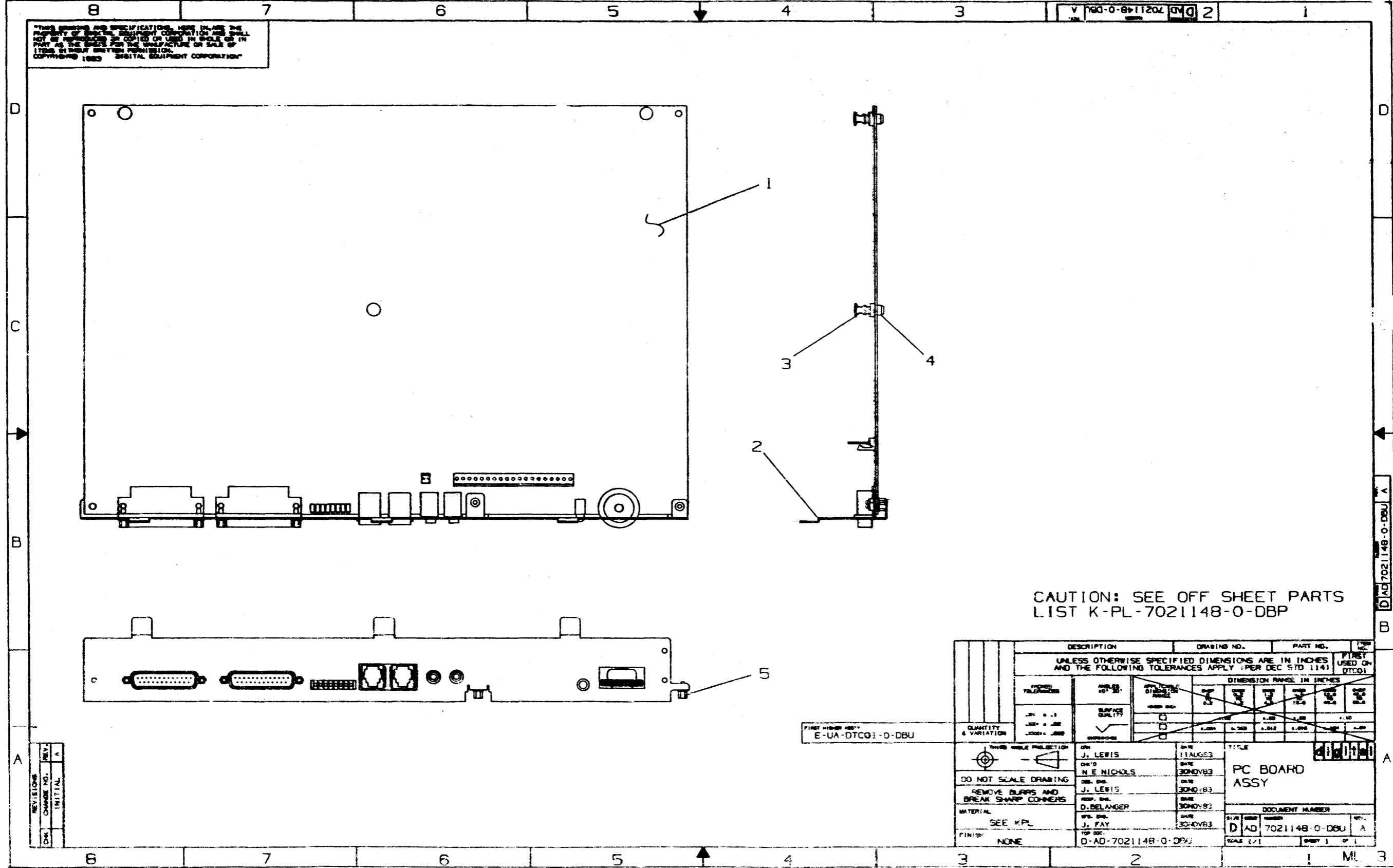
1

ML 3

LINE ITEM	DOCUMENT NUMBER	PART NUMBER	DESCRIPTION	QUANTITY PER VARIATION
1	D-MD-7429158-0-DBU	7429158-01	ENCLOSURE, SPEAKER	1
2		7021269-02	SPEAKER WIRE ASSY.	1
3	B-MD-7429269-0-DBU	7429269-01	FOAM, SPEAKER	1
4	C-MD-7429159-0-DBU	7429159-01	ENCLOSURE, GASKET	1

REVISION HISTORY		BASIC PART NO: 7021099		DRN: J. FOLEY		DATE: 30-JUN-83		D I G I T A L				
ENG	ECO NUMBER	REV	SECTION A OF A	CHK'D:	N. NICHOLS	DATE:	13-SEP-83	TITLE		PARTS LIST		
	INITIAL	A	SECTION. VARIATION INDEX					SPEAKER ASSEMBLY				
			[A] 01					DOCUMENT NUMBER				
			[B]	DES. ENG.:	J. LEWIS	DATE:	30-JUN-83	SIZE:	CODE:	NUMBER	REV	
			[C]	RESP. ENG.:	D. BELANGER	DATE:	30-JUN-83	K	PL	7021099-0-DBP	A	
			[D]	MFG. ENG.:	J. FAY	DATE:	30-JUN-83	ASSEMBLY NUMBER:		TOP DOCUMENT NUMBER:	FILE NAME:	EDIT #:
			[E]	C-AD-7021099-0-DBU		C-AD-7021099-0-DBU		Z7523A.PLS		9		
			[F]									

"THIS DRAWING AND SPECIFICATIONS HEREIN, ARE THE PROPERTY OF DIGITAL EQUIPMENT CORPORATION AND SHALL NOT BE REPRODUCED OR COPIED OR USED IN WHOLE OR IN PART AS THE BASIS FOR THE MANUFACTURE OR SALE OF ITEMS WITHOUT WRITTEN PERMISSION. COPYRIGHT (C) 1983. DIGITAL EQUIPMENT CORPORATION "



THIS DRAWING AND SPECIFICATIONS HEREBY ARE THE PROPERTY OF DIGITAL EQUIPMENT CORPORATION AND SHALL NOT BE REPRODUCED OR COPIED OR USED IN WHOLE OR IN PART AS THE BASIS FOR THE MANUFACTURE OR SALE OF ITEMS WITHOUT WRITTEN PERMISSION.
 COPYRIGHT © 1983 DIGITAL EQUIPMENT CORPORATION

DAD 7021148-0-DBU 2

CAUTION: SEE OFF SHEET PARTS LIST K-PL-7021148-0-DBP

FIRST HIGH ASSEMBLY
 E-UA-DTC03-0-DBU

DESCRIPTION	DRAWING NO.	PART NO.	REV.																								
UNLESS OTHERWISE SPECIFIED DIMENSIONS ARE IN INCHES AND THE FOLLOWING TOLERANCES APPLY (PER DEC STD 1141)																											
DIMENSION RANGES IN INCHES																											
<table border="1"> <tr> <td>0.000 - 0.250</td> <td>0.250 - 0.500</td> <td>0.500 - 1.000</td> <td>1.000 - 2.000</td> <td>2.000 - 5.000</td> <td>5.000 - 10.000</td> <td>10.000 - 25.000</td> <td>25.000 - 50.000</td> <td>50.000 - 100.000</td> <td>100.000 - 250.000</td> <td>250.000 - 500.000</td> <td>500.000 - 1000.000</td> </tr> <tr> <td>±0.005</td> <td>±0.005</td> <td>±0.005</td> <td>±0.005</td> <td>±0.005</td> <td>±0.005</td> <td>±0.005</td> <td>±0.005</td> <td>±0.005</td> <td>±0.005</td> <td>±0.005</td> <td>±0.005</td> </tr> </table>				0.000 - 0.250	0.250 - 0.500	0.500 - 1.000	1.000 - 2.000	2.000 - 5.000	5.000 - 10.000	10.000 - 25.000	25.000 - 50.000	50.000 - 100.000	100.000 - 250.000	250.000 - 500.000	500.000 - 1000.000	±0.005	±0.005	±0.005	±0.005	±0.005	±0.005	±0.005	±0.005	±0.005	±0.005	±0.005	±0.005
0.000 - 0.250	0.250 - 0.500	0.500 - 1.000	1.000 - 2.000	2.000 - 5.000	5.000 - 10.000	10.000 - 25.000	25.000 - 50.000	50.000 - 100.000	100.000 - 250.000	250.000 - 500.000	500.000 - 1000.000																
±0.005	±0.005	±0.005	±0.005	±0.005	±0.005	±0.005	±0.005	±0.005	±0.005	±0.005	±0.005																
QUANTITY & VARIATION	DATE	TITLE																									
<input type="checkbox"/> THIS IS A PRODUCTION PART <input type="checkbox"/> THIS IS A PROTOTYPE PART <input type="checkbox"/> THIS IS A PRODUCTION PART WITH VARIATION	DATE: 11 AUG 83 BY: J. LEWIS DATE: 30 NOV 83 BY: N. E. NICHOLS DATE: 30 NOV 83 BY: J. LEWIS DATE: 30 NOV 83 BY: D. BELANGER DATE: 30 NOV 83 BY: J. FAY DATE: 30 NOV 83 BY: J. FAY	PC BOARD ASSY																									
DO NOT SCALE DRAWING	REMOVE BURRS AND BREAK SHARP CORNERS	DOCUMENT NUMBER																									
MATERIAL: SEE KPL	FINISH: NONE	D AD 7021148-0-DBU A SCALE 1/1 SHEET 1 OF 1																									

REV.	CHANGE NO.	INITIAL	DATE
OK			

LINE	ITEM	DOCUMENT NUMBER	PART NUMBER	DESCRIPTION	QUANTITY PER VARIATION
1	1	E-UA-5415966-0-DBU	5415966-01	DEC TALK	1
2	2	D-IA-7429157-0-DBU	7429157-01	PLATE,CONNECTOR	1
3	3		9009963-00	PLUNGER, 1/4 DIA	3
4	4		9009966-00	GROMMET,SNAP-IN POLYCARBONAT	3
5	5		9008451-06	SCREW,JACK HEX WASHER	6

REVISION HISTORY		BASIC PART NO: 7021148		DRN: D. LYONS		DATE: 17-AUG-83		D I G I T A L			
ENG	ECO NUMBER	REV	SECTION A OF A	CHK'D:	N. NICHOLS	DATE:	15-SEP-83	TITLE		PARTS LIST	
	INITIAL	A	SECTION, VARIATION INDEX					PC BOARD ASSY			
			[A] 01					DOCUMENT NUMBER			
			[B]	DES.ENG.:	J. LEWIS	DATE:	17-AUG-83	SIZE	CODE	NUMBER	REV
			[C]	RESP.ENG.:	D. SELANGER	DATE:	17-AUG-83	K	PL	7021148-0-DBP	A
			[D]	MFG.ENG.:	J. FAY	DATE:	17-AUG-83	TOP DOCUMENT NUMBER:		FILE NAME:	
			[E]	ASSEMBLY NUMBER:	D-AD-7021148-0-DBU	TOP DOCUMENT NUMBER:	D-AD-7021148-0-DBU	FILE NAME:		EDIT	
			[F]					Z76634.PLS			

"THIS DRAWING AND SPECIFICATIONS HEREIN, ARE THE PROPERTY OF DIGITAL EQUIPMENT CORPORATION AND SHALL NOT BE REPRODUCED OR COPIED OR USED IN WHOLE OR IN PART AS THE BASIS FOR THE MANUFACTURE OR SALE OF ITEMS WITHOUT WRITTEN PERMISSION. COPYRIGHT (C) 1983. DIGITAL EQUIPMENT CORPORATION"

8 7 6 5 4 3 2 1

7020481-0-DBU 2

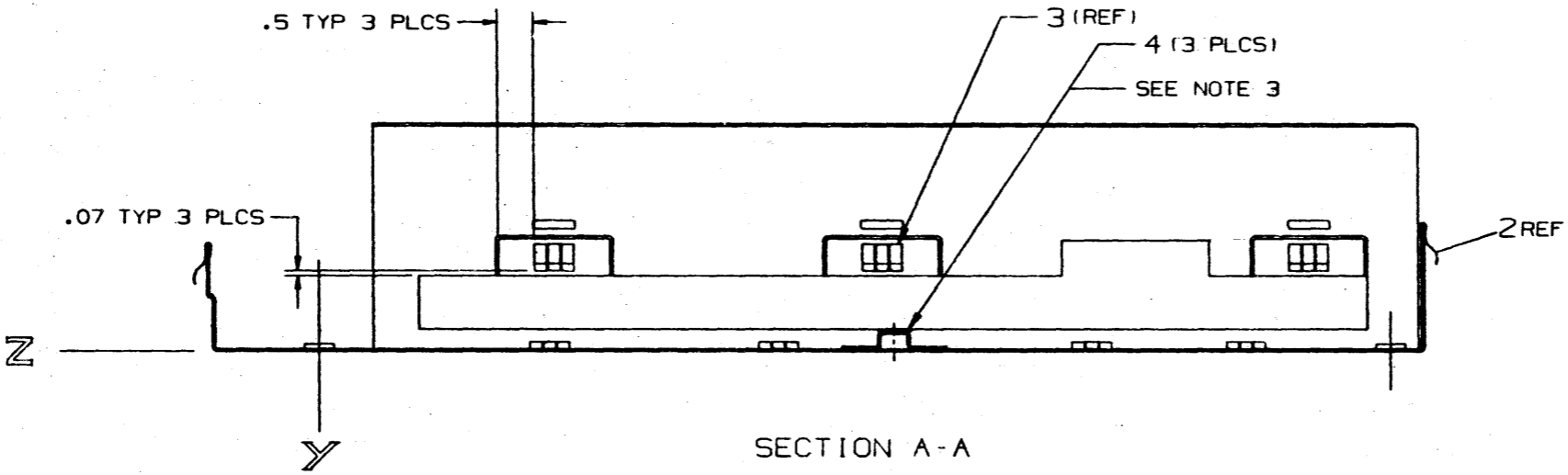
THIS DRAWING AND SPECIFICATIONS HEREIN ARE THE PROPERTY OF DIGITAL EQUIPMENT CORPORATION AND SHALL NOT BE REPRODUCED OR COPIED OR USED IN WHOLE OR IN PART AS THE BASIS FOR THE MANUFACTURE OR SALE OF ITEMS WITHOUT WRITTEN PERMISSION. COPYRIGHT © 1984 DIGITAL EQUIPMENT CORPORATION

7020481-0-DBU 2

C

B

A



SECTION A-A

7020481-0-DBU 2

A

REVISIONS		
CHK	CHANGE NO	REV

TITLE	LOWER PAN ASSY	SIZE/SCALE	D/AD 1/1	NUMBER	7020481-0-DBU	REV	B
SCALE	1/1	SHEET	2	OF	2	DIST	

8 7 6 5 4 3 2 1 ML3

LINE	ITEM	TOP DOCUMENT	PART NUMBER	MIN REV	DESCRIPTION	QTY PER VARIATION
1	1	D-IA-7021089-0-DBU	7021089-01		WELDMENT, PAN, LOWER	1
2	2	C-MD-7429051-0-DBU	7429051-01		FINGER STOCK, CLIP-ON	7
3	3		1220580-22		SHIELD, EMI/RFI, FINGERS 3POS	7
4	4	C-MD-7428954-0-DBU	7428954-01		SPACER, PCB	3

VARIATION REVISION LEVEL:

REVISION HISTORY			BASIC PART NO: 7020481		
ENG	ECO NUMBER	REV	SECTION A OF A	DRN: M. MOYNIHAN	DATE: 10-FEB-83
---	INITIAL	A	SECTION VARIATION INDEX	CHK'D: R. LESTER	DATE: 12-SEP-83
JS	VS240-0-ML002	B	[A]01	DES. ENG: J. SPANO	DATE: 10-FEB-83
			[B]	RESP. ENG.: J. SPANO	DATE: 10-FEB-83
			[C]	MFG. ENG.: C. MORRIS	DATE: 12-SEP-83
			[D]	ASSEMBLY NUMBER:	TOP DOCUMENT NUMBER:
			[E]	D-AD-7020481-0-DBU	D-AD-7020481-0-DBU
			[F]		FILE NAME: 262876.PLS
					RELEASE DATE: 10-MAR-84
					DOCUMENT NUMBER
					SIZE CODE NUMBER REV
					K PL 7020481-0-DBP B
					EDIT # 13

"THIS DRAWING AND THE SPECIFICATIONS CONTAINED HEREIN ARE CONFIDENTIAL AND PROPRIETARY. THEY ARE THE PROPERTY OF DIGITAL EQUIPMENT CORPORATION AND SHALL NOT BE REPRODUCED OR COPIED OR USED IN WHOLE OR IN PART AS THE BASIS FOR THE MANUFACTURE OR SALE OF ITEMS WITHOUT WRITTEN PERMISSION. THIS IS AN UNPUBLISHED WORK PROTECTED UNDER THE FEDERAL COPYRIGHT LAWS."

AUTOMATED BY PRTLST.4Q(50)

PARTS LIST

SHEET A1 OF A1

LINE	ITEM	DOCUMENT NUMBER	PART NUMBER	DESCRIPTION	QUANTITY PER VARIATION
1	1	D-IA-7021253-0-DBU	7021253-01	WELDMENT BOTTOM ENCLOSURE	1
2	2		1218949-06	BUMPER, STRIP ADH BACK NEOPRENE	3
3	3		3622222-01	LABEL, DTC01-REGULATORY	1

REVISION HISTORY		BASIC PART NO: 7021098		DRN: J. FOLEY		DATE: 30-JUN-83		D I G I T A L			
ENG	ECO NUMBER	REV	SECTION A OF A	CHK'D:	C. LARSEN	DATE:	29-SEP-83	TITLE PARTS LIST			
	INITIAL	A	SECTION VARIATION INDEX					ENCLOSURE ASSEMBLY, BOTTOM			
			[A] 01					DOCUMENT NUMBER			
			[B]	DES. ENG.:	J. LEWIS	DATE:	30-JUN-83	SIZE CODE NUMBER REV			
			[C]	RESP. ENG.:	D. BELANGER	DATE:	30-JUN-83	K	PL	7021098-0-DBP	A
			[D]	MFG. ENG.:	J. FAY	DATE:	30-JUN-83	ASSEMBLY NUMBER: TOP DOCUMENT NUMBER: FILE NAME: EDIT #			
			[E]					D-AD-7021098-0-DBU D-AD-7021098-0-DBU Z7522A.PLS 8			
			[F]								

"THIS DRAWING AND SPECIFICATIONS HEREIN, ARE THE PROPERTY OF DIGITAL EQUIPMENT CORPORATION AND SHALL NOT BE REPRODUCED OR COPIED OR USED IN WHOLE OR IN PART AS THE BASIS FOR THE MANUFACTURE OR SALE OF ITEMS WITHOUT WRITTEN PERMISSION. COPYRIGHT (C) 1983. DIGITAL EQUIPMENT CORPORATION"

AUTOMATED BY PRTLST.4Q(47)

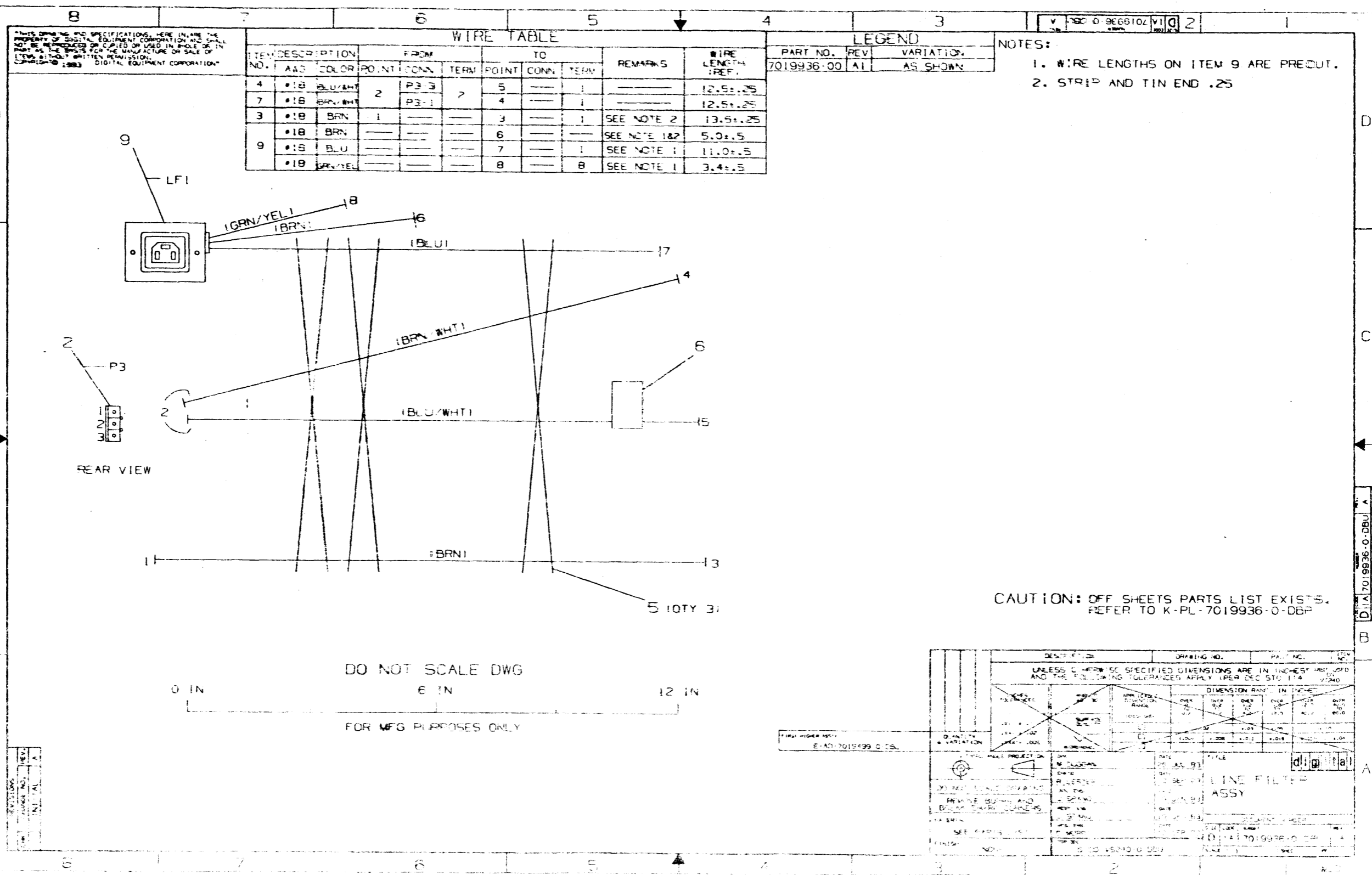
PARTS LIST

SHEET A1 OF A1

LINE	ITEM	DOCUMENT NUMBER	PART NUMBER	DESCRIPTION	QUANTITY PER VARIATION
1	1	E-IA-7426676-0-DBU	7426676-01	ENCLOSURE TOP	1
2	2		9009940-00	INSERT, THREAD	2

REVISION HISTORY		BASIC PART NO: 7426676		DRN: S. PRESBREY	DATE: 24-AUG-82	D I G I T A L			
ENG	ECO NUMBER	REV	SECTION A OF A	CHK'D: R. LESTER	DATE: 18-OCT-83	TITLE		PARTS LIST	
	INITIAL	A	SECTION. VARIATION INDEX	DES.ENG.: J. SPANO	DATE: 9-NOV-82	ENCLOSURE, TOP			
			[A] 01	RESP.ENG.: J. SPANO	DATE: 9-NOV-82	DOCUMENT NUMBER			
			[B]	MFG.ENG.: C. MORRIS	DATE: 18-OCT-83	SIZE	CODE	NUMBER	REV
			[C]	ASSEMBLY NUMBER:	TOP DOCUMENT NUMBER:	K	PL	7426676-0-DBP	A
			[D]	E-WA-VS240-0-DBU	B-DD-VS240-0-0	FILE NAME:		EDIT #	
			[E]			Z5357A.PLS		12	
			[F]						

"THIS DRAWING AND SPECIFICATIONS HEREIN, ARE THE PROPERTY OF DIGITAL EQUIPMENT CORPORATION AND SHALL NOT BE REPRODUCED OR COPIED OR USED IN WHOLE OR IN PART AS THE BASIS FOR THE MANUFACTURE OR SALE OF ITEMS WITHOUT WRITTEN PERMISSION. COPYRIGHT (C) 1983. DIGITAL EQUIPMENT CORPORATION"



THIS DRAWING AND SPECIFICATIONS HEREIN ARE THE PROPERTY OF DIGITAL EQUIPMENT CORPORATION AND SHALL NOT BE REPRODUCED OR COPIED OR USED IN WHOLE OR IN PART AS THE BASIS FOR THE MANUFACTURE OR SALE OF ITEMS WITHOUT WRITTEN PERMISSION. DIGITAL EQUIPMENT CORPORATION

ITEM NO.	DESCRIPTION	FROM			TO			REMARKS	WIRE LENGTH (REF.)
		POINT	CONN.	TERM.	POINT	CONN.	TERM.		
4	#18 BLU/WHT	2	P3-3		5			12.5±.25	
7	#18 BRN/WHT	2	P3-1		4			12.5±.25	
3	#18 BRN	1			3		SEE NOTE 2	13.5±.25	
9	#18 BRN				6		SEE NOTE 1&2	5.0±.5	
	#18 BLU				7		SEE NOTE 1	11.0±.5	
	#18 BRN/YEL				8		SEE NOTE 1	3.4±.5	

LEGEND		
PART NO.	REV.	VARIATION
7019936-00	A1	AS SHOWN

NOTES:
 1. WIRE LENGTHS ON ITEM 9 ARE PRECUT.
 2. STRIP AND TIN END .25

DO NOT SCALE DWG
 0 IN 6 IN 12 IN
 FOR MFG PURPOSES ONLY

CAUTION: OFF SHEETS PARTS LIST EXISTS.
 REFER TO K-PL-7019936-0-DBP

REV.	DATE	BY	CHKD.	APP'D.	DESCRIPTION
1	08/11/83

DIMENSION RANGE IN INCHES	
FRAC.	TOL.
1/16"	±.005
1/8"	±.005
3/16"	±.005
1/4"	±.005
5/16"	±.005
3/8"	±.005
1/2"	±.005
5/8"	±.005
3/4"	±.005
1"	±.005
1 1/4"	±.005
1 1/2"	±.005
2"	±.005
3"	±.005
4"	±.005
6"	±.005
8"	±.005
10"	±.005
12"	±.005
15"	±.005
20"	±.005
24"	±.005
30"	±.005
36"	±.005
48"	±.005
60"	±.005
72"	±.005
96"	±.005
120"	±.005

QUANTITY & VARIATION	DATE	BY	CHKD.	APP'D.	TITLE
...	08/11/83	LINE FILTER ASSY

REV.	DATE	BY	CHKD.	APP'D.
1	08/11/83

DRAWING NO. 7019936-0-DBP

LINE	ITEM	DOCUMENT NUMBER	PART NUMBER	DESCRIPTION	QUANTITY PER VARIATION
1	1		1217000-00	TERM, QUICK .250TAB CRIMP 18-2	4
2	2		1216651-10	CONN, IDC 03SKT(1X03).156CC	1
3	3		9107786-11	WIRE, 18AWG(19/30)IPVC 300V1	A/R
4	4		9107828-69	WIRE, 18AWG(19/30)TPVC 300V1	A/R
5	5		9007031-00	TIE, CABLE BUNDL.DIA 0- 3/4"=101	3
6	6		9009255-00	LABEL, POWER SUPPLY, 2-15/16 " L	1
7	7		9107828-19	WIRE, 18AWG(19/30)IPVC 300V1	A/R
8	8		9007930-00	TERM, RING #10STUD CRIMP 16-2	1
9	9		1216382-01	FILTER, LINE 120 240V 12A, EMI	1

REVISION HISTORY		BASIC PART NO: 7019936		DRN:	M. DUGGAN	DATE:	28-JUL-82	D I G I T A L			
ENG:	ECO NUMBER	REV	SECTION A OF A	CHK'D:	R. LESTER	DATE:	12-SEP-83	TITLE PARTS LIST			
	INITIAL	A	SECTION VARIATION INDEX					LINE FILTER ASSY			
			[A] 00								
			[B]	DES.ENG.:	J. SPANO	DATE:	28-JUL-82				
			[C]								
			[D]	RESP.ENG.:	J. SPANO	DATE:	28-JUL-82	DOCUMENT NUMBER			
			[E]					SIZE	CODE	NUMBER	REV
			[F]	MFG.ENG.:	C. MORRIS	DATE:	12-SEP-83	K	PL	7019936-0-DBP	A
				ASSEMBLY NUMBER:		TOP DOCUMENT NUMBER:		FILE NAME:		EDIT #	
				D-IA-7019936-0-DBU		B-DD-VS240-0-DBU		Z5209A.PLS		13	

"THIS DRAWING AND SPECIFICATIONS HEREIN, ARE THE PROPERTY OF DIGITAL EQUIPMENT CORPORATION AND SHALL NOT BE REPRODUCED OR COPIED OR USED IN WHOLE OR IN PART AS THE BASIS FOR THE MANUFACTURE OR SALE OF ITEMS WITHOUT WRITTEN PERMISSION. COPYRIGHT (C) 1983. DIGITAL EQUIPMENT CORPORATION "

LINE	ITEM	TOP DOCUMENT	PART NUMBER	MIN REV	DESCRIPTION	QTY PER VARIATION
1	1	E-IA-7426685-0-DBU	7426685-01		CHASSIS,POWER SUPPLY	1
2	2	C-MD-7428955-0-DBU	7428955-01		INSULATOR,POWER SUPPLY	1
3	3	C-MD-7429051-0-DBU	7429051-01		FINGER STOCK,CLIP-ON	3

VARIATION REVISION LEVEL:

REVISION HISTORY		BASIC PART NO: 7020813		DRN: M. MOYNIHAN	DATE: 10-MAY-83	D I G I T A L	
ENG:	ECO NUMBER	REV	SECTION A OF A	CHK'D: R. LESTER	DATE: 12-SEP-83	TITLE PARTS LIST SHIELDING ASSY	
---	INITIAL	A	SECTION VARIATION INDEX	DES.ENG: J. SPANO	DATE: 10-MAY-83	DOCUMENT NUMBER	
JS	VS240-0-ML002	B	[A]01	RESP.ENG.: J. SPANO	DATE: 10-MAY-83	SIZE: K	CODE: PL
			[B]	MFG.ENG.: C. MORRIS	DATE: 12-SEP-83	NUMBER: 7020813-0-DBP	REV: B
			[C]	ASSEMBLY NUMBER: D-AD-7020813-0-DBU	TOP DOCUMENT NUMBER: D-AD-7020813-0-DBU	FILE NAME: Z7096B.PLS	EDIT #: 4
			[D]				
			[E]			RELEASE DATE: 10-MAR-84	
			[F]				

"THIS DRAWING AND THE SPECIFICATIONS CONTAINED HEREIN ARE CONFIDENTIAL AND PROPRIETARY. THEY ARE THE PROPERTY OF DIGITAL EQUIPMENT CORPORATION AND SHALL NOT BE REPRODUCED OR COPIED OR USED IN WHOLE OR IN PART AS THE BASIS FOR THE MANUFACTURE OR SALE OF ITEMS WITHOUT WRITTEN PERMISSION. THIS IS AN UNPUBLISHED WORK PROTECTED UNDER THE FEDERAL COPYRIGHT LAWS."

AUTOMATED BY: PRT LST.4Q(47)

PARTS LIST

SHEET A1 OF A1

LINE	ITEM	DOCUMENT NUMBER	PART NUMBER	DESCRIPTION	QUANTITY PER VARIATION
1	1	D-MD-7427568-0-DBU	7427568-01	SHIELD, POWER SUPPLY	1
2	2		9009800-04	SCREW, TAP PAN PHIL THD RL 8-	4
3	3		1221125-01	FAN, TUBE AXIAL 3.125" 12V	1
4	4		1210822-02	MATE-N-LOK 02PIN(1X02) HSG	1
5	5		1209378-03	MATE-N-LOK 01PIN 30-22AWG .0850D	2
6	6		3610267-02	LABEL, DANGER HIGH VOLTAGE, SMOOTH	1
7	7		9107244-00	TUBING, EXTRUDED, .263ID .750UL	A/R

REVISION HISTORY		BASIC PART NO: 7019921		DRN:	MP DUGGAN	DATE:	29-JUL-82	DIGITAL			
ENG:	ECO NUMBER	REV	SECTION A OF A	CHK'D:	R. LESTER	DATE:	12-SEP-83	TITLE		PARTS LIST	
	INITIAL	A	SECTION. VARIATION INDEX					P.S. SHIELD ASSY			
			[A] 00	DES. ENG.:	J. SPANO	DATE:	10-JAN-83	DOCUMENT NUMBER			
			[B]	RESP. ENG.:	J. SPANO	DATE:	10-JAN-83	SIZE	CODE	NUMBER	REV
			[C]	MFG. ENG.:	C. MORRIS	DATE:	12-SEP-83	K	PL	7019921-0-DBP	A
			[D]	ASSEMBLY NUMBER:	D-AD-7019921-0-DBU	TOP DOCUMENT NUMBER:	B-DD-VS240-0-DBU	FILE NAME:	Z5170A.PLS	EDIT #:	11
			[E]								
			[F]								

"THIS DRAWING AND SPECIFICATIONS HEREIN, ARE THE PROPERTY OF DIGITAL EQUIPMENT CORPORATION AND SHALL NOT BE REPRODUCED OR COPIED OR USED IN WHOLE OR IN PART AS THE BASIS FOR THE MANUFACTURE OR SALE OF ITEMS WITHOUT WRITTEN PERMISSION. COPYRIGHT (C) 1983. DIGITAL EQUIPMENT CORPORATION"