



THIS DRAWING IS THE PROPERTY OF IBM CORPORATION. IT IS TO BE USED FOR THE MANUFACTURE OF IBM EQUIPMENT ONLY. IT IS TO BE KEPT IN A SAFE PLACE AND NOT REPRODUCED OR TRANSMITTED IN ANY FORM OR BY ANY MEANS, ELECTRONIC OR MECHANICAL, INCLUDING PHOTOCOPYING, RECORDING, OR BY ANY INFORMATION STORAGE AND RETRIEVAL SYSTEM. © 1981

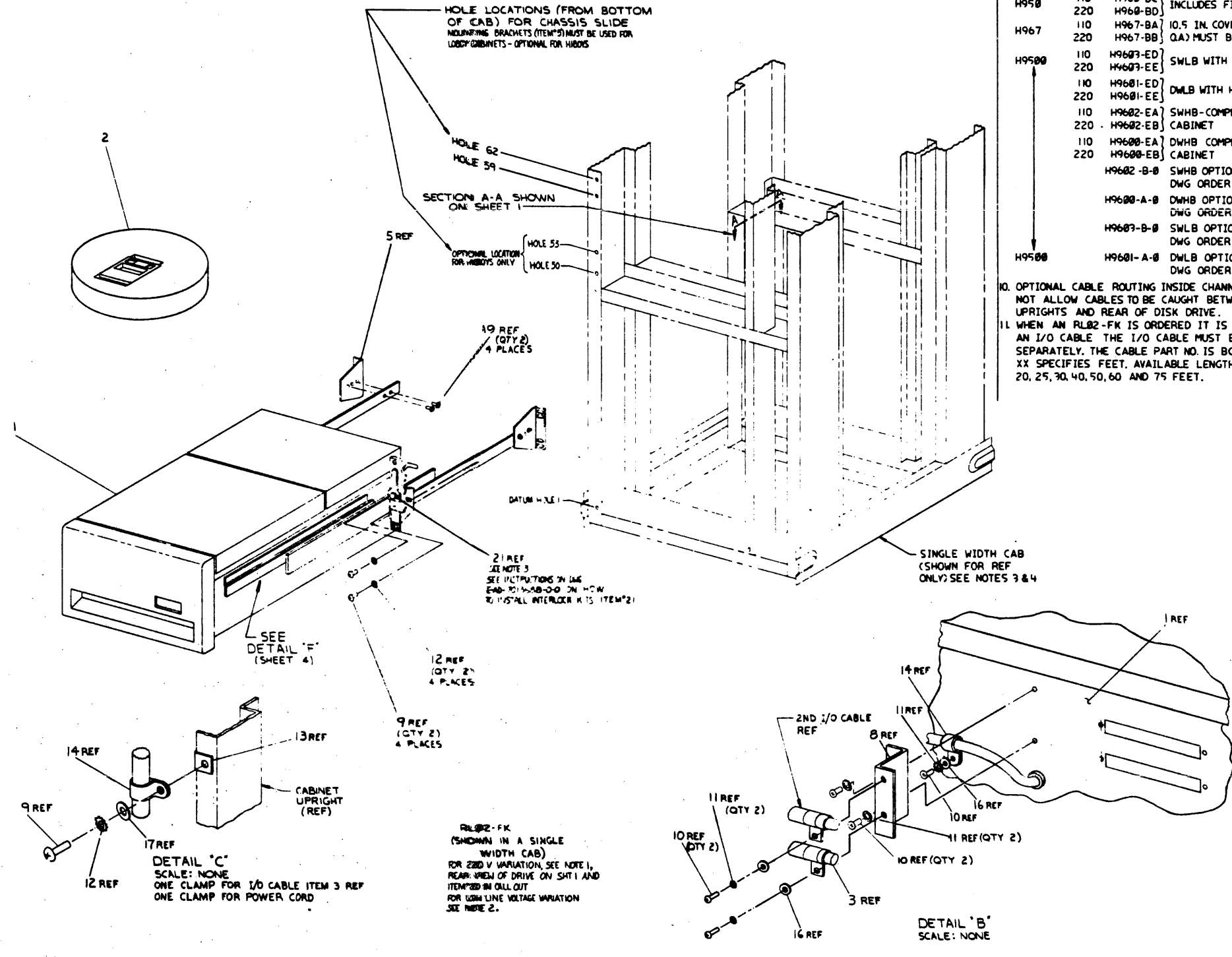
NOTES: (CONT FROM SHEET 1)

9. CABINET OPTIONS INCLUDE SKINS, DOORS, COVERS, TRIM, AND PWR CONTROLLERS.

TYPE	VOLTAGE	DWG	REMARKS
H958	110	H960-BC	INCLUDES FIVE 10.5 IN. PANELS
	220	H960-BD	
H967	110	H967-BA	10.5 IN. COVER PANELS (H958-0A) MUST BE ORDER IF REQD
	220	H967-BB	
H9500	110	H9607-ED	SWLB WITH H954-B TOP COVERS
	220	H9607-EE	
H9500	110	H9601-ED	DMLB WITH H954-A TOP COVERS
	220	H9601-EE	
H9500	110	H9602-EA	SWHB-COMPLETE HIBOY CABINET
	220	H9602-EB	
H9500	110	H9600-EA	DWHB COMPLETE HIBOY CABINET
	220	H9600-EB	
H9500	H9602-B-B		SWHB OPTION ARRANGEMENT DWG ORDER AS REQD
	H9600-A-B		
H9500	H9603-B-B		SWLB OPTION ARRANGEMENT DWG ORDER AS REQD
	H9601-A-B		

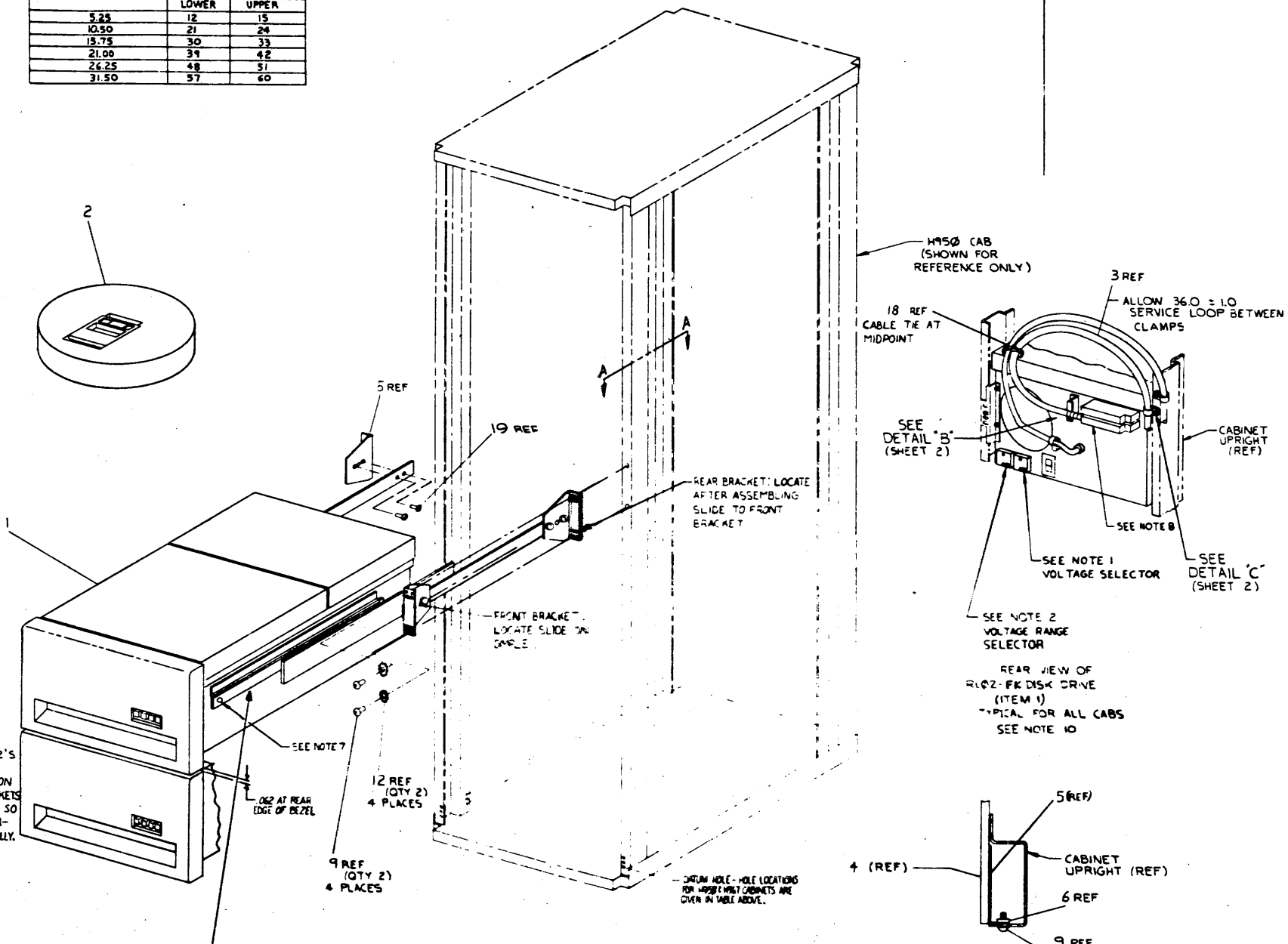
10. OPTIONAL CABLE ROUTING INSIDE CHANNEL UPRIGHTS. DO NOT ALLOW CABLES TO BE CAUGHT BETWEEN CABINET UPRIGHTS AND REAR OF DISK DRIVE.

11. WHEN AN RL02-FK IS ORDERED IT IS SHIPPED WITHOUT AN I/O CABLE. THE I/O CABLE MUST BE ORDERED SEPARATELY. THE CABLE PART NO. IS BC212-XX, WHERE XX SPECIFIES FEET. AVAILABLE LENGTHS ARE 8, 10, 12, 20, 25, 30, 40, 50, 60 AND 75 FEET.



HOLE LOCATIONS FOR MOUNTING IN H950 AND H967 CABINETS		
AVAILABLE SPACE BENEATH RL02	MOUNTING HOLES (FROM DATUM HOLE)	
	LOWER	UPPER
5.25	12	15
10.50	21	24
15.75	30	33
21.00	39	42
26.25	48	51
31.50	57	60

- NOTES:
- MACHINES ARE SHIPPED CONFIGURED FOR 110V, AND NOMINAL VOLTAGE RANGE. FOR 220 V OPERATION REMOVE TWO SCREWS FROM "VOLTAGE SELECTOR" COVER, WITHDRAW THE COVER, AND RE-INSERT TURNED UPSIDE DOWN. AFTER INSERTION, 220 MUST BE SHOWING THRU THE SMALL WINDOW. REPLACE THE TWO SCREWS. REPLACE LINE CORD WITH 17-00083-06
  - "LOW LINE" AND "NOMINAL LINE" ARE DEFINED ON COVER OF "VOLTAGE RANGE SELECTOR" FOR LOW LINE VOLTAGE OPERATION REMOVE TWO SCREWS FROM "VOLTAGE RANGE SELECTOR" COVER, WITHDRAW THE COVER AND RE-INSERT IT TURNED UPSIDE DOWN. AFTER INSERTION, "LOW" MUST BE SHOWING THRU THE SMALL WINDOW. REPLACE THE TWO SCREWS.
  - WHEN AN RL02-FK IS ORDERED IN CONJUNCTION WITH A H9500, H9501, H9502, H9503, H9600, H9601, H9602, H9603 INTERLOCK KIT(S) (REF 21) OR CABLE RESTRAINT SYSTEM(S) (REF 22) MUST BE ORDERED AND INSTALLED.
  - WHEN AN RL02-FK IS ORDERED IN CONJUNCTION WITH A H9503/H9603 THE TRIM PIECES (H9514-B) MUST BE ORDERED.
  - WHEN AN RL02-FK IS ORDERED IN CONJUNCTION WITH A H9501/H9601 TRIM PIECES (H9514-A) MUST BE ORDERED.
  - TO ATTACH SHIPPING BRACKET (ITEM 7), REMOVE TWO SCREWS AND TWO LOCKWASHERS FROM ONE SIDE OF THE POWER PANEL ON THE REAR OF DISK DRIVE (ITEM 1), POSITION A SHIPPING BRACKET TO DETERMINE LOCATION OF "U" NUT (ITEM 13) AND ATTACH BRACKET USING ORIGINAL SCREWS AND LOCKWASHERS AND ITEMS 12 AND 9 (AS SHOWN IN DETAIL "D") BRACKET MAY BE ATTACHED TO EITHER SIDE OF UNIT.
  - TO MOUNT RL02 IN CABINET:
    - MOUNT BRACKETS AND SIDES TO UPRIGHTS.
    - EXTEND SIDES AS FAR AS POSSIBLE BY RELEASING CATCHES (SEE DETAIL "F" SHT 4).
    - PLACE DRIVE ON SLIDES AND PUSH BACK UNTIL ENDS OF RAILS FIT UNDER TABS ON SIDES AND LATCHES ENGAGE.
    - SECURE DRIVE TO SIDES USING SCREWS SUPPLIED (SEE DETAIL "F", SHT 4). TO REMOVE DRIVE, EXTEND SLIDES FULLY, REMOVE SCREWS, RELEASE LATCHES AND LIFT OFF.
  - FOR LAST DRIVE IN A SYSTEM, I/O CABLE PLUGS INTO EITHER SOCKET. TERMINATOR (SUPPLIED WITH CONTROLLER) PLUGS INTO THE OTHER.
- NOTES CONT ON SHT 2.



WHEN TWO RL02'S ARE MOUNTED IN A CABINET THE POSITION OF THE SLIDE BRACKETS MUST BE ADJUSTED SO THAT THE BEZELS ARE PARALLEL AND ALIGNED VERTICALLY.

SEE DETAIL "F" (SHEET 4)

RL02-FK (SHOWN IN A H950 CAB)

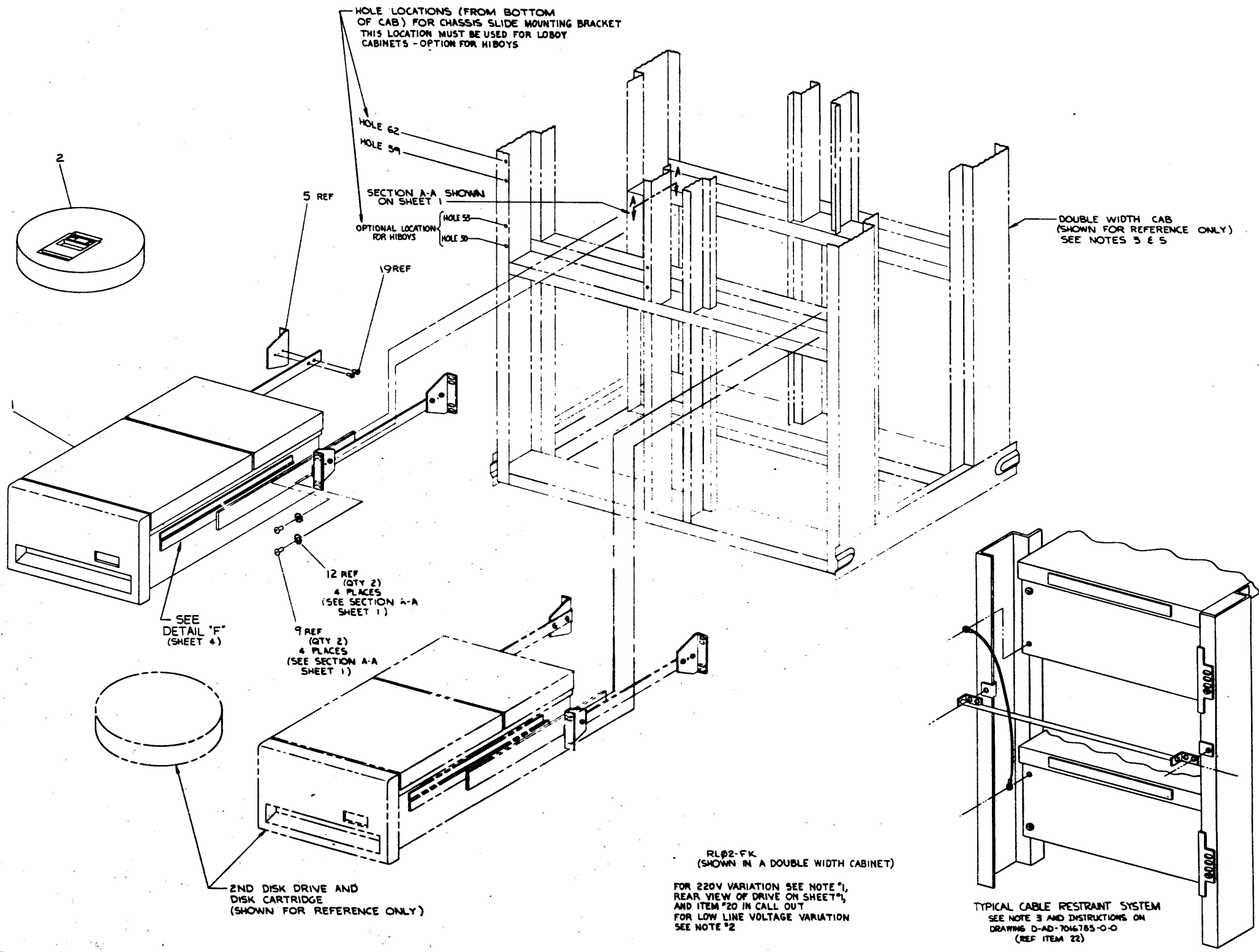
SECTION A-A (SHOWING TYPICAL MOUNTING OF CHASSIS SLIDES TO CABINET UPRIGHTS) SCALE: NONE

CAUTION: OFF SHEET PARTS LIST EXISTS. SEE K-PL-RL02-FK-DBP (22950).

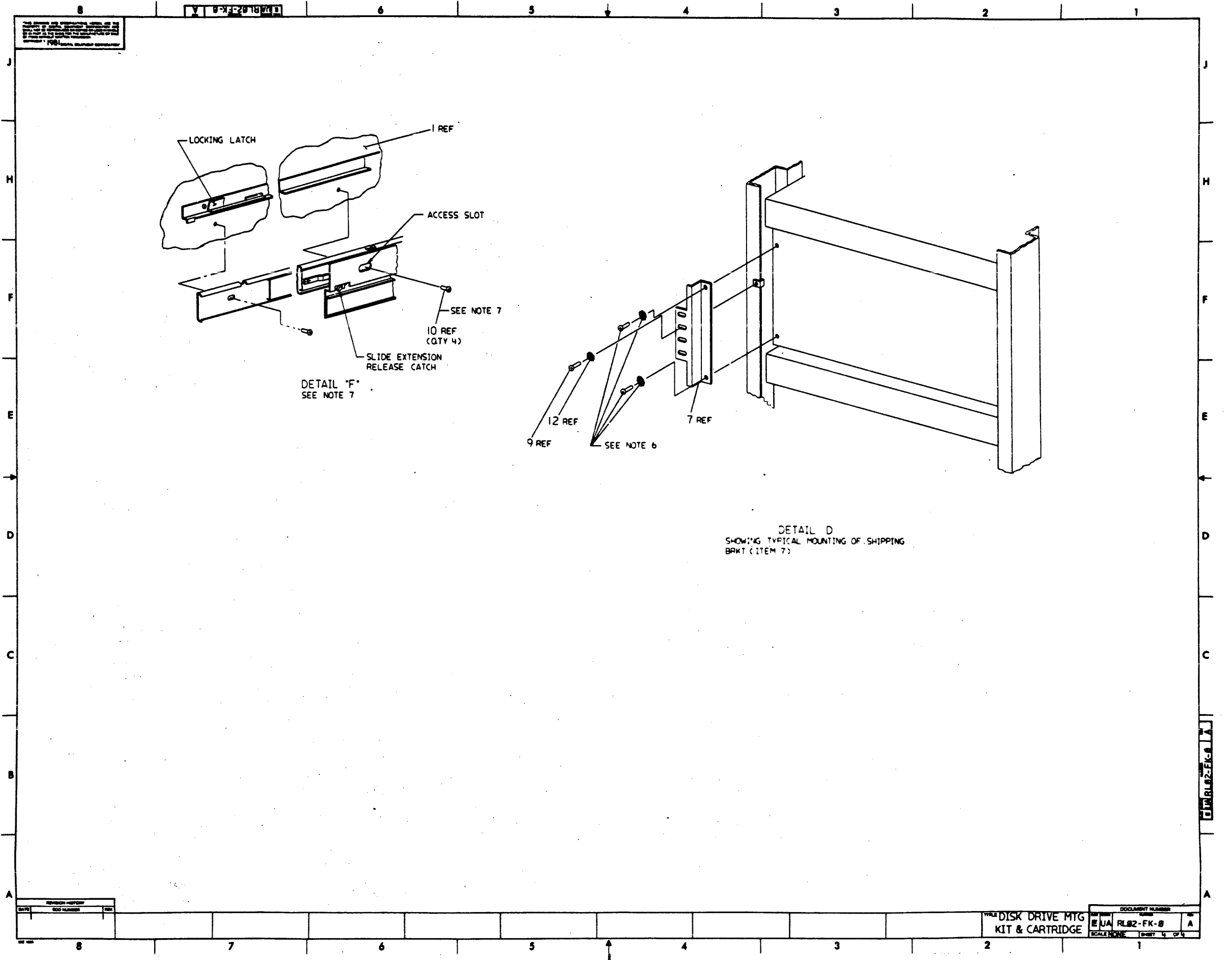
ITEM NO.	DESCRIPTION	QTY	UNIT	MATERIAL		FIRST USED ON	REV.
				NO.	DATE		
1	DISK DRIVE KIT & CARTRIDGE	1	EA	1	1964	RL02	1
2	DISK DRIVE KIT & CARTRIDGE	1	EA	1	1964	RL02	1
3	DISK DRIVE KIT & CARTRIDGE	1	EA	1	1964	RL02	1
4	DISK DRIVE KIT & CARTRIDGE	1	EA	1	1964	RL02	1

REPLACE TO CONTROL AT ALL TIMES

THIS DRAWING AND ITS COMPONENTS, HEREIN, ARE THE PROPERTY OF BUSH BROS. CORPORATION AND ARE TO BE USED ONLY FOR THE PURPOSES AND IN THE MANNER SPECIFIED HEREIN. NO PART OF THIS DRAWING IS TO BE REPRODUCED OR TRANSMITTED IN ANY FORM OR BY ANY MEANS, ELECTRONIC OR MECHANICAL, INCLUDING PHOTOCOPYING, RECORDING, OR BY ANY INFORMATION STORAGE AND RETRIEVAL SYSTEM, WITHOUT PERMISSION IN WRITING FROM BUSH BROS. CORPORATION.



REVISIONS		DATE		CHANGED BY		REV.			
<table border="0" style="width: 100%;"> <tr> <td style="width: 50%;">                 TITLE DISK DRIVE MTG KIT &amp; CARTRIDGE                  SCALE NONE SHEET 3 OF 4             </td> <td style="width: 50%; text-align: right;">                 DRAWN BY JUA                  CHECKED BY RL02-FK-0                  REV. A             </td> </tr> </table>								TITLE DISK DRIVE MTG KIT & CARTRIDGE SCALE NONE SHEET 3 OF 4	DRAWN BY JUA CHECKED BY RL02-FK-0 REV. A
TITLE DISK DRIVE MTG KIT & CARTRIDGE SCALE NONE SHEET 3 OF 4	DRAWN BY JUA CHECKED BY RL02-FK-0 REV. A								



DETAIL "F"  
SEE NOTE 7

DETAIL D  
SHOWING TYPICAL MOUNTING OF SHIPPING  
BRKT (ITEM 7)

8  
10-1-2019  
1

REVISION HISTORY		
DATE	ECO NUMBER	REV

DISK DRIVE MTG  
KIT & CARTRIDGE

DOCUMENT NUMBER	REV
EUA RL82-FK-B	A
SCALE NONE	SHEET 1 OF 4

EUA RL82-FK-B A