

DECgraphic-11

GT46 Stand-Alone Graphics System



- Self Contained System
- Full PDP-11 Family Features
- Choice of Operating Systems
- A DECgraphic-11 Family Member

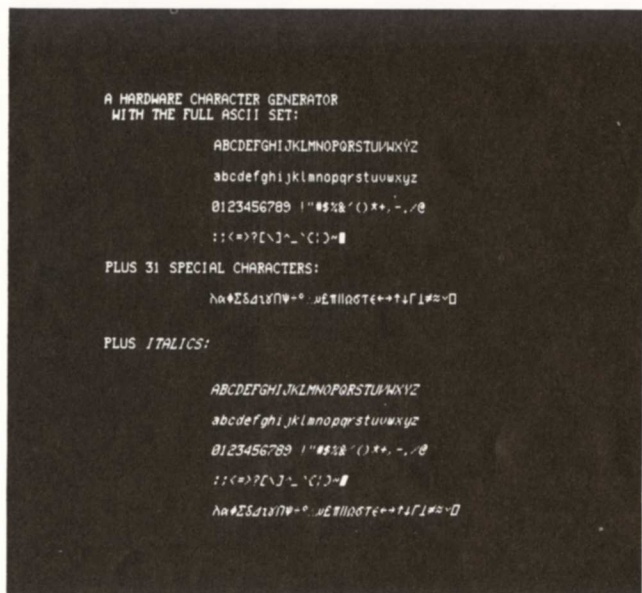
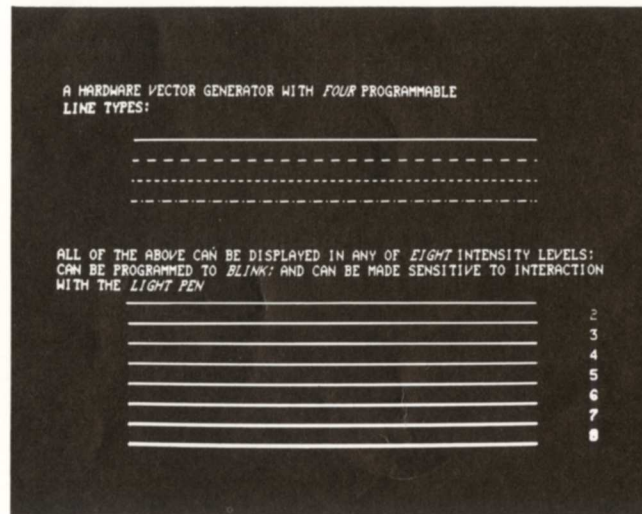
- Refresh Display with Light Pen
- Wide Range of Peripherals
- Graphics Support Routines
- Single Source, World Wide Support

THE DECGRAPHIC-11 GT46

The GT46 is a self-contained member of the DECgraphic-11 family of interactive graphics display systems.

The GT46 provides the user with rapid generation and dynamic changes of graphical information through the autonomous refresh capabilities of its display processor. On-line interaction with the user's application is readily achieved by a convenient hand-held light pen or optional 16-button function key pad.

The economical GT46 combines the power and versatility of the PDP-11T34 disk-based computer system with the graphical facilities of the VT11 display subsystem. It is thus ideally suited for a broad range of applications, from real-time data acquisition and display to simulation studies and computer aided design. It is fully supported by a comprehensive set of FORTRAN callable sub-routines in RT-11 and RSX-11M environments.



FEATURES

• Self-Contained System

A complete disk-based computer system with full hardware and software graphics support. Suitable for many applications in the basic configuration.

• PDP-11 Family Features

PDP-11/34 includes an integral Memory Management Unit, Extended Instruction Set, and is expandable to 124K words of memory.

• Choice of Operating Systems

RT-11 for real-time fast response. RSX-11M for multi-task operation.

• A DECgraphic-11 Family Member

Being a member of the DECgraphic-11 series of interactive graphics systems means that application software written for the GT46 can be easily transferred to run on other DECgraphic-11 configurations. The integrated family approach brings the benefits of commonality in training, operating, programming, and documentation. Other DECgraphic-11 family members include graphics terminal systems, as well as high performance graphic systems using the upward compatible VS60 display subsystem.

• Refresh Display with Light Pen

The GT46 incorporates the VT11 display subsystem. Since this is a refresh display subsystem, the GT46 graphics user derives the following benefits:

- Good picture contrast.
- Rapid picture generation and modification.
- Direct memory access without CPU overhead.

Closely coupled graphical interaction is then easily achieved with:

- Solid state light pen (standard)
- 16 push-button unit (optional)

• Wide Range of Peripherals

The GT46 can be used with any UNIBUS peripheral. Particularly useful in graphics environments are:

- Graphic Plotters, Electrostatic Printer/Plotter
- Real-Time A/D Interface

• Graphics Support Routines

For application programs written in FORTRAN, the GT46 user can use DECgraphic-11 FORTRAN Support routines:

Compatible with other DECgraphic-11 systems. Available under RT-11 or RSX-11M.

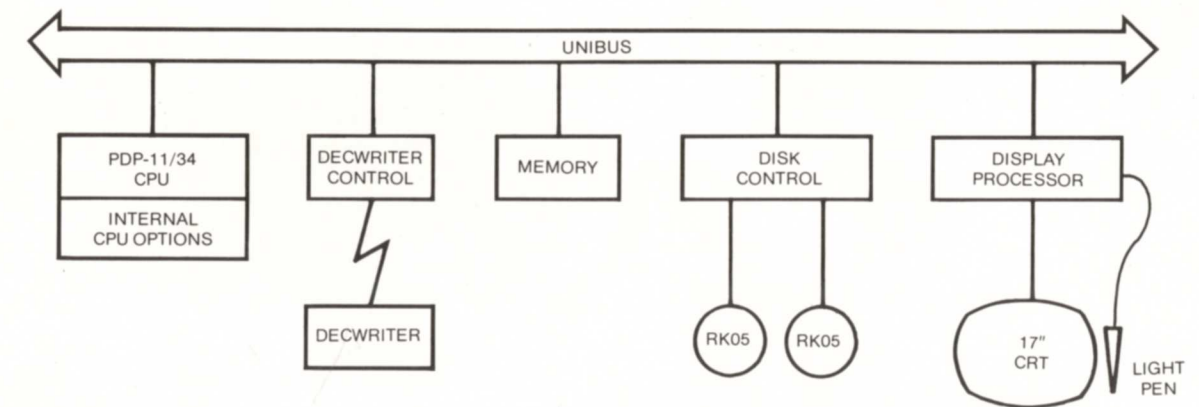
FORTRAN callable subroutines:

- Picture Generation
- Picture Modification
- Interaction & Light Pen Tracking
- Utility Routines

• Single Source, World-Wide Support

The GT46 is the only interactive graphics system in its price range where the user can call upon a single supplier for his requirements—computer and graphics hardware; computer and graphics software; installation, training, and maintenance. No need to involve more than one supplier to meet a graphics requirement—and when that supplier is DIGITAL, it means ongoing dependable support from specialists in our 250 offices throughout the world.

GT46 SYSTEM CONFIGURATION



The GT46 Consists Of:

- PDP-11/34 Central Processor incorporating
 - Integer multiply/divide (EIS—Extended Instruction Set)
 - Memory Management Unit
 - Hardware Bootstrap Loader (M9301-YB)
- Programmer's console (KY11-LB)
- Graphics Display Processor with 17" (43cm) CRT Monitor and Light Pen (VT11-A)
- Console DECwriter (LA36)
- Serial Line Interface for LA36/Real-Time Clock (DL11-WA)
- 32K words (64K bytes) MOS or Core memory
- Two 1.2M word cartridge disk drives (RK05) and control (RK11)
- Table for CRT (H970-FA)
- Tall cabinet (72", 183cm) (H960-DH)

SOFTWARE

The successful implementation of any graphics application hinges on the effectiveness of the applications program in its working environment. A major stepping stone to success is the provision of a comprehensive package of graphics functional routines. Such a package allows the user to carry out complex real-time graphical manipulation and interaction in a simple and straightforward manner. The software optionally available with the GT46 provides these facilities.

At the operating system level, the user has a choice of two highly versatile PDP-11 operating systems: RT-11, a foreground/background monitor for dedicated applications needing fast response, or RSX-11M where graphics use can be carried out simultaneously with other tasks. Both of these operating systems provide a wide range of program utilities—editors, file management, debugging aids—for efficient program development and operation.

For the graphics facilities, a comprehensive set of software functions is provided under FOCAL/RT-11 and BASIC/RT. Even more extensive facilities are provided for FORTRAN users under both RT-11 and RSX-11M. These FORTRAN callable subroutines—DECgraphic-11 FORTRAN Support—are also applicable to extended versions of the GT46, which could include remotely coupled GT43 or GT62 display terminals.

EXPANSION SPACE:

Core Version	1 System Unit (SU)
MOS Version	1 SU, 2 Hex SPC Slots, 1 Quad SPC Slot, plus additional panel space in the cabinet

OPTIONS:

LK11:	16 Push Button Box
LV11:	Electrostatic Line Printer/Plotter
Plus,	full range of PDP-11 peripherals

ORDERING INFORMATION

Option designations in brackets are for 230V/50Hz:
 32K Core System: GT46-CA (GT46-CB)
 32K MOS System: GT46-MA (GT46-MB)

NOTE: Core version is slightly faster and the memory is non-volatile. The MOS version has more expansion space.

Software Ordering Information:

RT-11 Software License: QJ003-AE with either FOCAL (QJ922-AE), BASIC (QJ830-AE), or FORTRAN (QJ980-AE).

RSX-11M Software License: QJ620-AE (includes FORTRAN), plus Graphics Extensions (QJ641-AE).

SYSTEM SPECIFICATIONS

CRT Monitor

Screen Size:	17" (43cm) diagonal
Image Area:	9 1/4" X 9 1/4" (23.5cm x 23.5cm)
Phosphor Type (standard):	P39 with IR doping
Deflection Type:	Electromagnetic
Beam Spot Size:	Less than .02" (.5mm)
Discrete Intensity Levels:	8
Brightness:	30 foot lamberts (measured using a shrinking raster technique)
Contrast Ratio:	10:1

Display Processor

Type:	Direct Memory Access (NPR)
Instructions:	Set Graphic Modes Load Status Registers

Instructions: No-Op
Jump
Main Viewing Area: 1024 X 1024 rasters
Image Definition Area: 8192 X 8192 rasters
Hardware Parameter: Blink
Refresh Rate: Line Frequency or Unsyn-
chronized (programmable)
Scissoring: Hardware
Interrupts: Light Pen
Time Out
Display STOP Interrupt
Physical: 1 System Unit
20' (6.1m) Cable
1 Bus Load

Vector Generator

Line Types: Solid, long dash, short dash,
dot dash
Modes: Relative
Relative Short (± 32)
Technique: Incremental Stroke
Drawing Speeds:
Character 26 μ sec
Vectors 18 μ sec for $\frac{1}{2}$ " vector
200 μ sec full screen vector
Absolute Point 20 μ sec
Relative Point 18 μ sec for $\frac{1}{2}$ " increment

Character Generator

Code: ASCII
Character Set: Full 96 ASCII Set (upper and
lower case) plus 31 special
symbols
Modes: Normal, Italics
Rows/Screen: 31 (42 optional)
Columns/Row: 72 (80 optional)
Drawing Speed: 25 μ sec/character

Other Modes

Absolute X,Y points
Relative X,Y points
X and Y graph plot modes

Interaction

Light Pen: Programmable sensitivity
for any graphic element

Information Available to Programmer: DPC location; absolute X,Y
coordinates of light pen
detect.

CPU-PDP-11/34

- Single and double operand instructions
- Hardware implemented multiply and divide instructions
- 16-bit word (two 8-bit bytes)
- Parity detection on each 8-bit byte
- Memory addressing to 124K words
- Asynchronous operation
- 8 internal general purpose registers
- Automatic Priority Interrupt
- Vectored interrupts
- Power Fail and Automatic Restart

Memory

MOS
The basic unit of MOS memory, MS11-JP, contains 16K words of parity MOS memory. Each 16K words of MOS requires 1 hex mounting space. Cycle time 0.775 microsecond; access time 0.635 microsecond.

Core

The basic unit of Core memory, MM11-DP, contains 16K words of parity core memory. Each 16K words of core memory requires 2 hex mounting spaces. Cycle time 1.0 microsecond; access time 0.510 microsecond.

Disks

Two 1.2M word cartridge disk drives and control
Storage medium: Disk cartridge
Capacity/cartridge: 1,228,800 words
Data transfer rate: 11.1 μ sec/word

Physical Dimensions:

Cabinet: 72" (183cm) H X 21" (53.3cm)
W X 30" (76.2cm) D
CRT: 15" (38.1cm) H X 21.5"
(54.6 cm) W X 27" (68.6cm) D
Table: 30" (76.2cm) H X 48"
(121.9cm) W X 29" (73.7cm) D
Weight of GT46: 940 lbs. (includes cabinet,
LA36, table and CRT)

digital

DIGITAL EQUIPMENT CORPORATION, Corporate Headquarters: Maynard, Massachusetts 01754, Telephone: (617) 897-5111—SALES AND SERVICE OFFICES: UNITED STATES—ALABAMA, Huntsville • ARIZONA, Phoenix and Tucson • CALIFORNIA, El Segundo, Los Angeles, Oakland, Ridgcrest, San Diego, San Francisco (Mountain View), Santa Ana, Santa Clara, Stanford, Sunnyvale and Woodland Hills • COLORADO, Englewood • CONNECTICUT, Fairfield and Meriden • DISTRICT OF COLUMBIA, Washington (Lanham, MD) • FLORIDA, Ft. Lauderdale and Orlando • GEORGIA, Atlanta • HAWAII, Honolulu • ILLINOIS, Chicago (Rolling Meadows) • INDIANA, Indianapolis • IOWA, Bettendorf • KENTUCKY, Louisville • LOUISIANA, New Orleans (Metairie) • MARYLAND, Odenton • MASSACHUSETTS, Marlborough, Waltham and Westfield • MICHIGAN, Detroit (Farmington Hills) • MINNESOTA, Minneapolis • MISSOURI, Kansas City (Independence) and St. Louis • NEW HAMPSHIRE, Manchester • NEW JERSEY, Cherry Hill, Fairfield, Metuchen and Princeton • NEW MEXICO, Albuquerque • NEW YORK, Albany, Buffalo (Cheektowaga), Long Island (Huntington Station), Manhattan, Rochester and Syracuse • NORTH CAROLINA, Durham/Chapel Hill • OHIO, Cleveland (Euclid), Columbus and Dayton • OKLAHOMA, Tulsa • OREGON, Eugene and Portland • PENNSYLVANIA, Allentown, Philadelphia (Bluebell) and Pittsburgh • SOUTH CAROLINA, Columbia • TENNESSEE, Knoxville and Nashville • TEXAS, Austin, Dallas and Houston • UTAH, Salt Lake City • VIRGINIA, Richmond • WASHINGTON, Bellevue • WISCONSIN, Milwaukee (Brookfield) • INTERNATIONAL—ARGENTINA, Buenos Aires • AUSTRALIA, Adelaide, Brisbane, Canberra, Melbourne, Perth and Sydney • AUSTRIA, Vienna • BELGIUM, Brussels • BOLIVIA, La Paz • BRAZIL, Rio de Janeiro and Sao Paulo • CANADA, Calgary, Edmonton, Halifax, London, Montreal, Ottawa, Toronto, Vancouver and Winnipeg • CHILE, Santiago • DENMARK, Copenhagen • FINLAND, Helsinki • FRANCE, Grenoble and Paris • GERMAN FEDERAL REPUBLIC, Cologne, Frankfurt, Hamburg, Hannover, Munich, Stuttgart and West Berlin • HONG KONG • INDIA, Bombay • INDONESIA, Jakarta • IRELAND, Dublin • ITALY, Milan and Turin • JAPAN, Osaka and Tokyo • MALAYSIA, Kuala Lumpur • MEXICO, Mexico City • NETHERLANDS, Utrecht • NEW ZEALAND, Auckland • NORWAY, Oslo • PUERTO RICO, Santurce • SINGAPORE • SWEDEN, Gothenburg and Stockholm • SWITZERLAND, Geneva and Zurich • UNITED KINGDOM, Birmingham, Bristol, Edinburgh, Leeds, London, Manchester and Reading • VENEZUELA, Caracas •