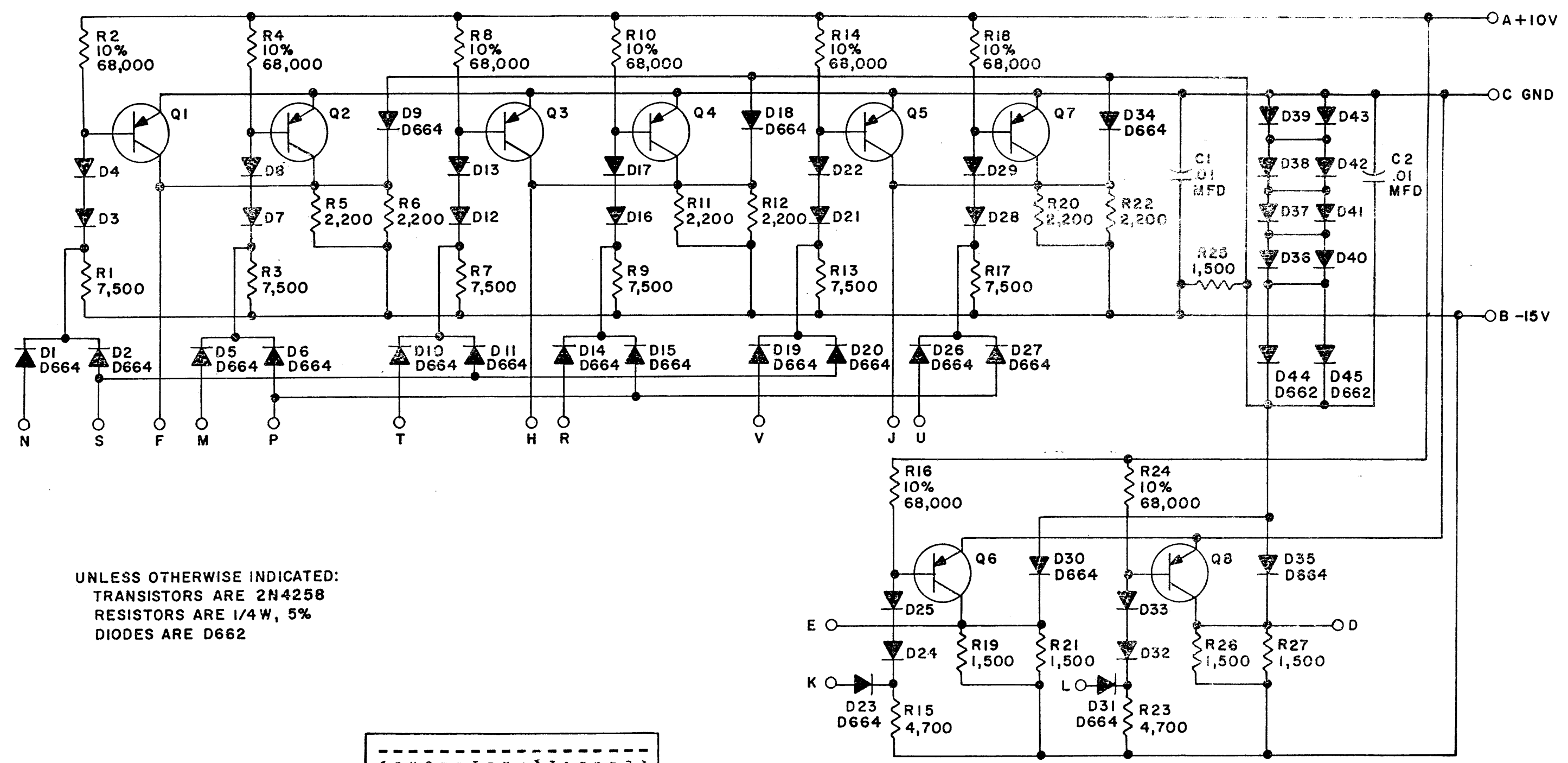


THIS SCHEMATIC IS FURNISHED ONLY FOR TEST AND MAINTENANCE PURPOSES. THE CIRCUITS ARE PROPRIETARY IN NATURE AND SHOULD BE TREATED ACCORDINGLY. COPYRIGHT 1966 BY DIGITAL EQUIPMENT CORPORATION



UNLESS OTHERWISE INDICATED:
 TRANSISTORS ARE 2N4258
 RESISTORS ARE 1/4 W, 5%
 DIODES ARE D662

PARTS LIST A-PL-BI67-0-0

REVISIONS CHK CHG NO. REV. 5919 A 6465 B 7118 C	DRN. <i>M. Haller</i>	DATE 11-21-66	TRANSISTOR & DIODE CONVERSION CHART		digital EQUIPMENT CORPORATION MAYNARD MASSACHUSETTS	TITLE ADDER GATE BI67			
	CHK'D <i>[Signature]</i>	DATE 11/23/66	DEC	EIA		SIZE B	CODE CS	NUMBER BI67-0-1	REV. C
	ENG. <i>[Signature]</i>	DATE	2N4258	2N4258					
	PROD.	DATE	D662	1N645					
			D664	1N3606					