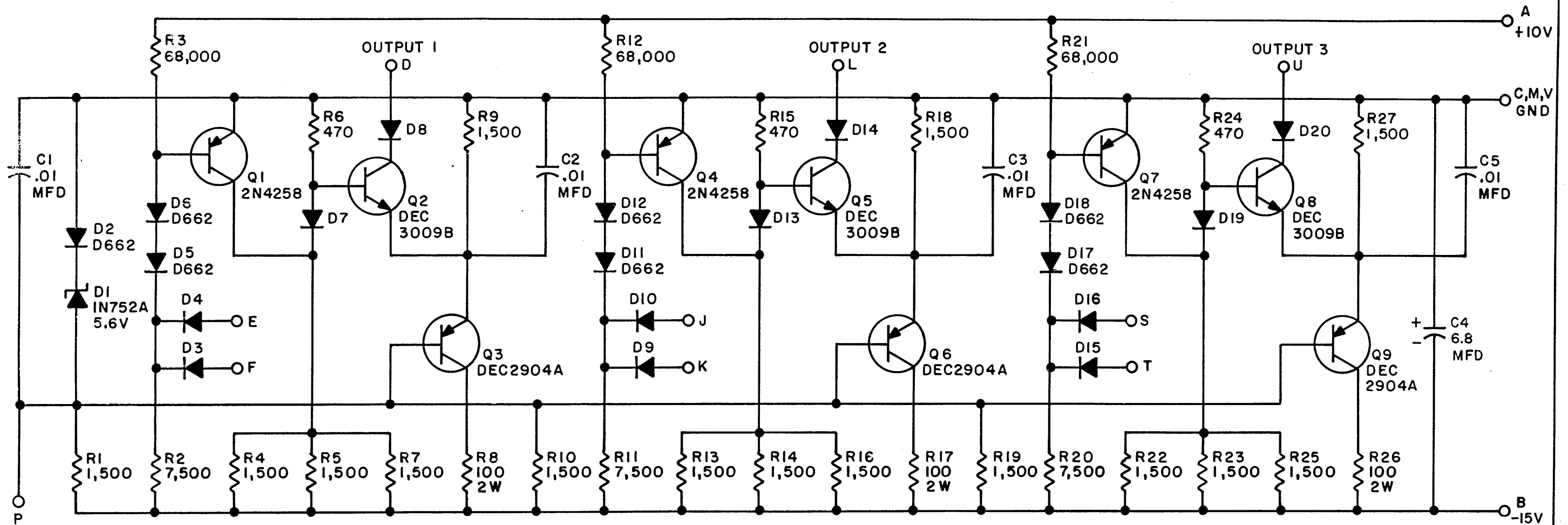
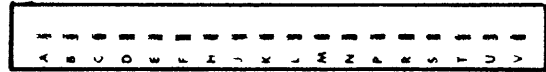


THIS SCHEMATIC IS FURNISHED ONLY FOR TEST AND MAINTENANCE PURPOSES. THE CIRCUITS ARE PROPRIETARY IN NATURE AND SHOULD BE TREATED ACCORDINGLY. COPYRIGHT 1967 BY DIGITAL EQUIPMENT CORPORATION



UNLESS OTHERWISE INDICATED:
RESISTORS ARE 1/4W; 5%
DIODES ARE D664



REVISIONS CHK CHG NO REV 6214 A MM 00001 B VV 00002 C	DRN.	DATE	TRANSISTOR & DIODE CONVERSION CHART		digital EQUIPMENT CORPORATION MAYNARD, MASSACHUSETTS	TITLE			
	<i>M. Haller</i>	3-14-67	DEC	EIA		50Ω OR BUS DRIVER B683			
	CHK'D	DATE	DEC	FIA		SIZE	CODE	NUMBER	REV
	ENG.	DATE	IN752A 5.6V	SAME		B	CS	B683-0-1	C
PROD.	DATE	2N4258	2N4258	PRINTED CIRCUIT REV				C	
		DEC3009B	2N3009						
		DEC2904A	2N1132						
		D662	IN645						
		D664	IN3606						

Handwritten notes and signatures at the bottom right of the page.