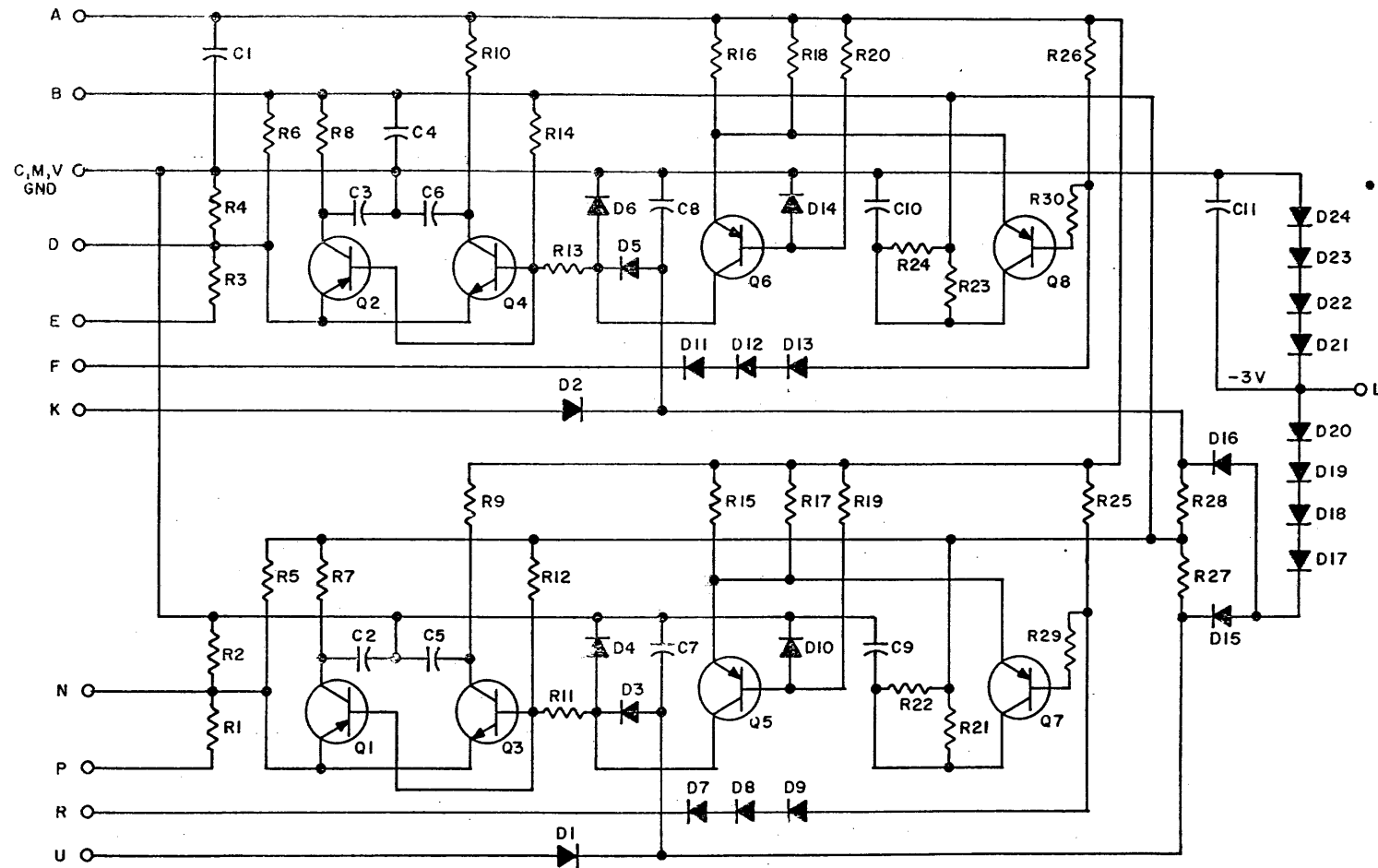


THIS SCHEMATIC IS FURNISHED ONLY FOR TEST AND MAINTENANCE PURPOSES. THE CIRCUITS ARE PROPRIETARY IN NATURE AND SHOULD BE TREATED ACCORDINGLY. COPYRIGHT 1964 BY DIGITAL EQUIPMENT CORPORATION



R29, R30	RES. 47 1/4W 10% CC	1300204
Q7, Q8	TRANSISTOR DEC-6A	1509090-00
Q5, Q6	TRANSISTOR DEC-6B	1509090-01
Q3, Q4	TRANSISTOR DEC2219	1501881
Q1, Q2	TRANSISTOR DEC2904	1501742
R25, R26	RES. 100K 1/4W 10% CC	1300534
R21-R24	RES. 560 1/4W 10% CC	1300340
R19, R20	RES. 12K 1/4W 10% CC	1300490
R15-R18	RES. 750 1/4W 5% CC	1301401
R11, R13	RES. 15 1/4W 10% CC	1301421
R9, R10	RES. 150 2W 10% CC	1300258
R7, R8	RES. 100 2W 10% CC	1300233
R5, R6, R12, R14, R27, R28	RES. 1.5K 1/4W 5% CC	1300391
R2, R4	RES. 220 1/4W 5% CC	1300271
R1, R3	RES. 82 1/4W 10% CC	1300224
D3-D6, D15, D16	DIODE D664	1100114
D1, D2, D7-D14, D17-D24	DIODE D662	1100113
C9, C10	CAP. 56MMF 100V 5% D.M.	1000012
C1-C8, C11	CAP. .01MFD 100V 20% DISC	1001610
	PARTS LIST	A-PL-B684-0-0
REFERENCE DESIGNATION	DESCRIPTION	PART NO.

REV.	NO.	REV.
1	00001	K
2	00001	J
3	7047	J
4	5113	7

CHK'D	NO.	REV.
1	00001	K
2	00001	J
3	7047	J
4	5113	7

DRN.	DATE
A. OUELLETTE	7-2-64
N. PERRYMAN	7-2-64
R. DOANE	7-2-64

TRANSISTOR & DIODE CONVERSION CHART	
DEC-6A	NONE
DEC-6B	NONE
DEC2219	2N2219
DEC2904	2N1132

DEC	EIA
D662	IN845
D664	IN3606

TITLE	
TWO BUS DRIVERS B684	
SIZE	CODE
C	CS
NUMBER	REV.
B684-0-1	K
PRINTED CIRCUIT REV.	
J	

REV. K
NUMBER B684-0-1
SIZE CODE C