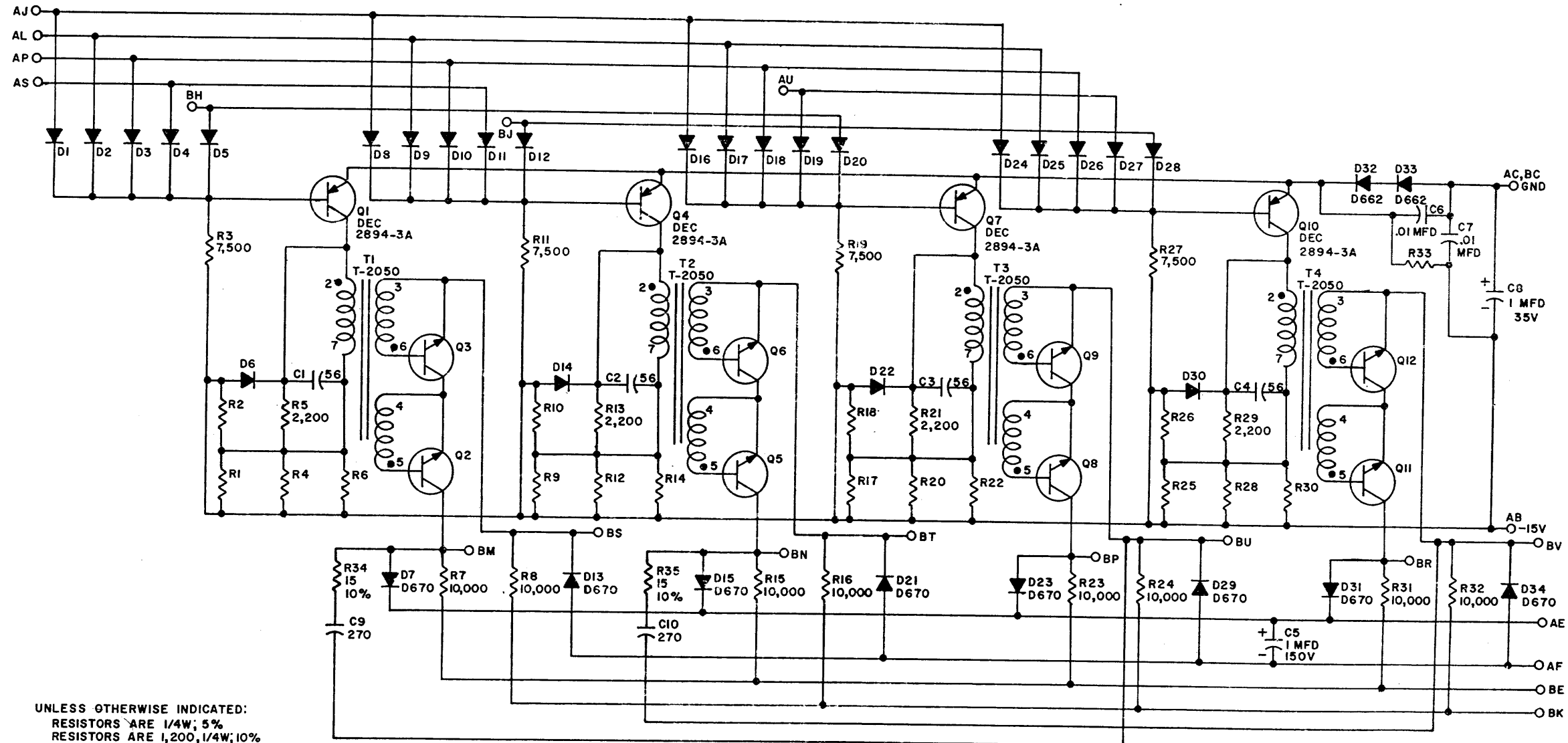


THIS SCHEMATIC IS FURNISHED ONLY FOR TEST AND MAINTENANCE PURPOSES. THE CIRCUITS ARE PROPRIETARY IN NATURE AND SHOULD BE TREATED ACCORDINGLY. COPYRIGHT 1966 BY DIGITAL EQUIPMENT CORPORATION



UNLESS OTHERWISE INDICATED:
 RESISTORS ARE 1/4W; 5%
 RESISTORS ARE 1,200, 1/4W; 10%
 CAPACITORS ARE MMFD
 DIODES ARE D664
 TRANSISTORS ARE DEC1010

USE THE ETCH BOARD OF THE G206

PARTS LIST IS A-PL-6212-0-0

REVISIONS	CHK	NO.	REV.
1	0000	1	A

DRN	DATE
CHK'D	DATE
ENG	DATE
PROD.	DATE

TRANSISTOR & DIODE CONVERSION CHART			
DEC	EIA	DEC	EIA
DEC1010	SAME		
DEC2894-3A	NONE		
D662	IN3645		
D664	IN3606		
D670	IN3653		

digital EQUIPMENT CORPORATION
 MAYNARD, MASSACHUSETTS

TITLE: MEMORY COMMON DRIVER G212

SIZE	CODE	NUMBER	REV.
C	CS	G212-0-1	A

PRINTED CIRCUIT REV. []

DEC FORM NO. DRC 102

DIST. 424 | 434 | 435 | 439

REV. A
 NUMBER
 SIZE CODE C CS G212-0-1