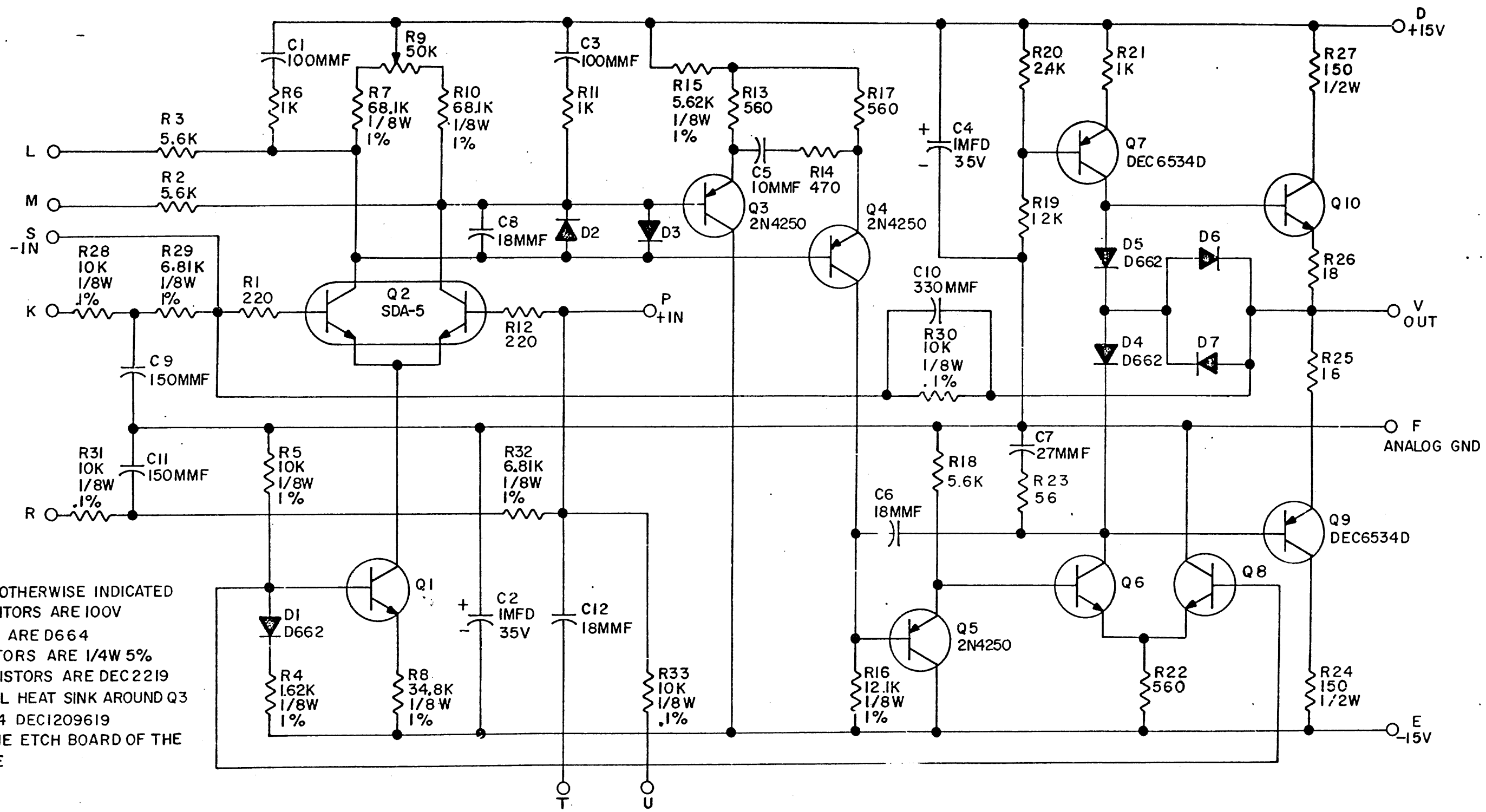


THIS SCHEMATIC IS FURNISHED ONLY FOR TEST AND MAINTENANCE PURPOSES. THE CIRCUITS ARE PROPRIETARY IN NATURE AND SHOULD BE TREATED ACCORDINGLY. COPYRIGHT 1969 BY DIGITAL EQUIPMENT CORPORATION



UNLESS OTHERWISE INDICATED
 CAPACITORS ARE 100V
 DIODES ARE D664
 RESISTORS ARE 1/4W 5%
 TRANSISTORS ARE DEC2219
 INSTALL HEAT SINK AROUND Q3
 AND Q4 DEC1209619
 USE THE ETCH BOARD OF THE
 A 207E

REVISIONS	CHK	CHG NO.	REV.
		00004	E

DRN.	DATE
<i>P. Blum</i>	9-3-69
CHK'D	DATE
<i>A. Ganga</i>	9-15-69
ENG.	DATE
<i>C. Weston</i>	10/22/69
PROD.	DATE
<i>B. New</i>	9-11-74

TRANSISTOR & DIODE CONVERSION CHART			
DEC	EIA	DEC	EIA
D662	1N645	SDA-5	SAME
D664	1N3606		
DEC6534D	MPS6534D		
2N4250	NONE		
DEC2219	2N2219		

digital
EQUIPMENT CORPORATION
 MAYNARD, MASSACHUSETTS

TITLE FILTERED DIFFERENTIAL AMPLIFIER G590			
SIZE B	CODE CS	NUMBER G590-0-1	REV. E
PRINTED CIRCUIT REV. E			