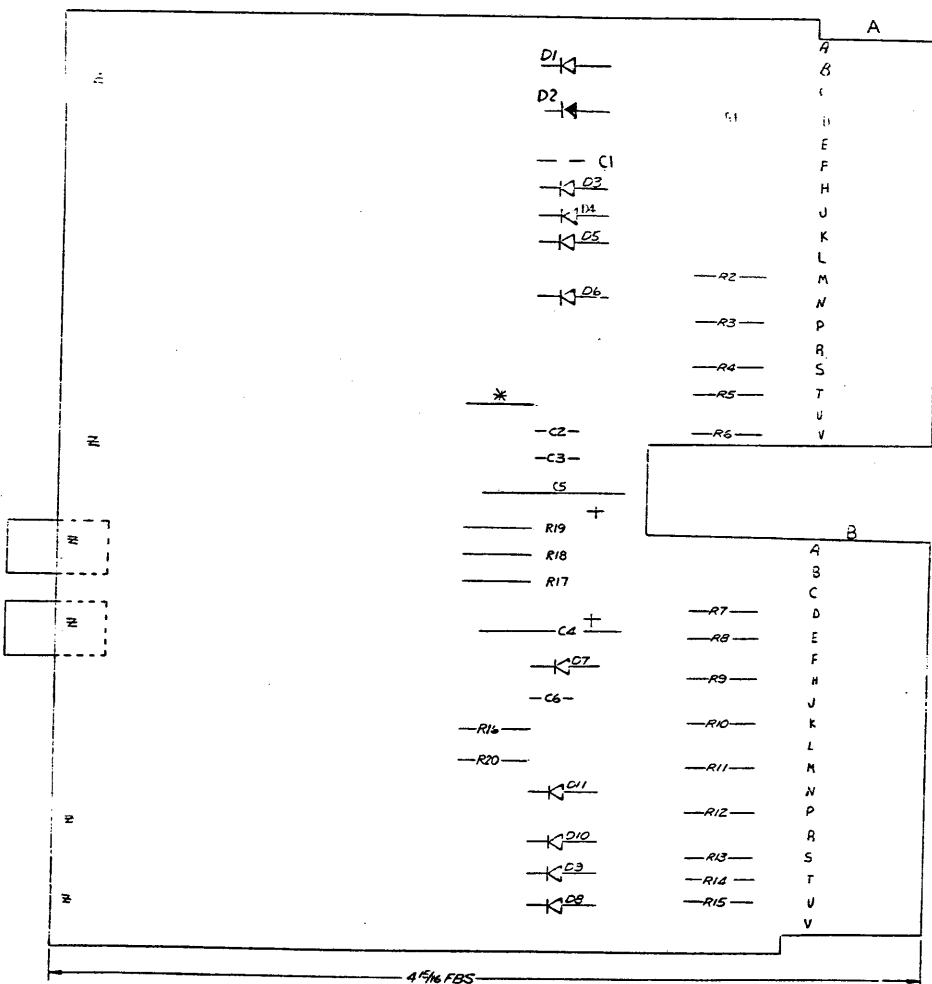
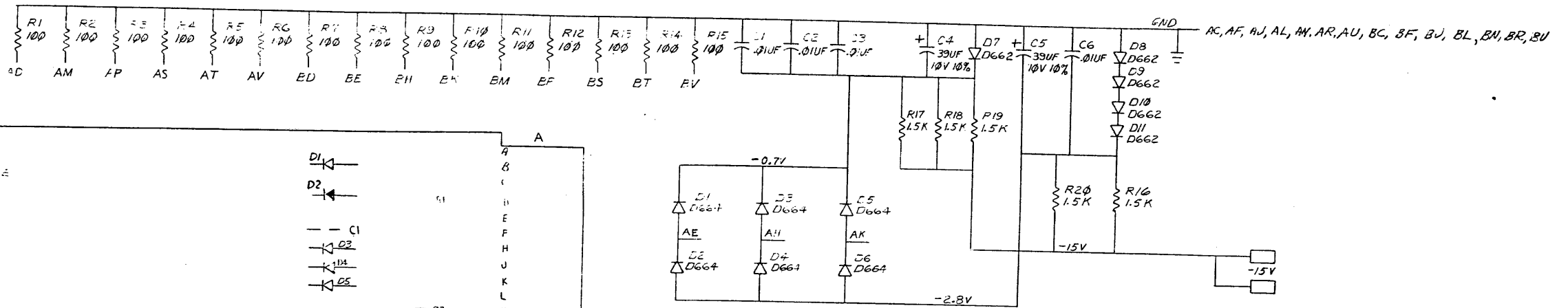


The drawing and specifications, herein, are the property of Digital Equipment Corporation and shall not be reproduced or copied or used in whole or in part as the basis for the manufacture of items without written permission.



UNLESS OTHERWISE INDICATED
ALL RESISTORS ARE 1/4W 5%
ALL CAPACITORS ARE 100V 20%

QTY	REF DESIGNATION	DESCRIPTION	PART NO.	ITEM NO.
1		HANDLE, FLIP CHIP - GREEN	9008137-01	16
2		EYELET #351-7	9006732	15
2		FASTON TAB	9007112	14
2		EYELET	9009000	13
15	R1 thru R15	RES. 100 Ω 5%	1300229	12
5	R16 thru R20	RES. 1.5K Ω 5%	1300391	10
6	D1 thru D6	DIODE D664	1100114	9
5	D7 thru D11	DIODE D662	1100113	7
4	C1, C2, C3, C6	CAP. .01UF 100V 20% DISC	1001610	6
2	C4, C5	CAP. .39UF 10V 10% TANT	1000076	5
1		ETCHED CIRCUIT BOARD	5010042	4
		MODULE ECO HISTORY	B-MH-07001-0-6	3
		ASSY/DRILLING HOLE LAYOUT	D-AH-07001-0-5	2
		X-Y COORDINATE HOLE LOCATION	K-G0-07001-0-4	1

DRN CHK'D ENR PROJ ENG PROD		DATE 2/14/72 DATE 8/5/72 DATE 1/2/72 DATE 4/1/72 DATE 4/1/72		digital EQUIPMENT CORPORATION MAYNARD, MASSACHUSETTS	TITLE I/O BUS TERMINATOR #2	
DEC NO. EIA NO. DEC NO. EIA NO.		SCALE SHEET 1 OF 1				SIZE CODE D1CS