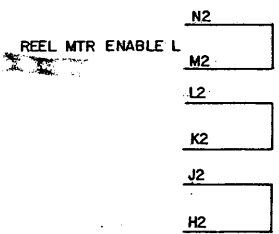
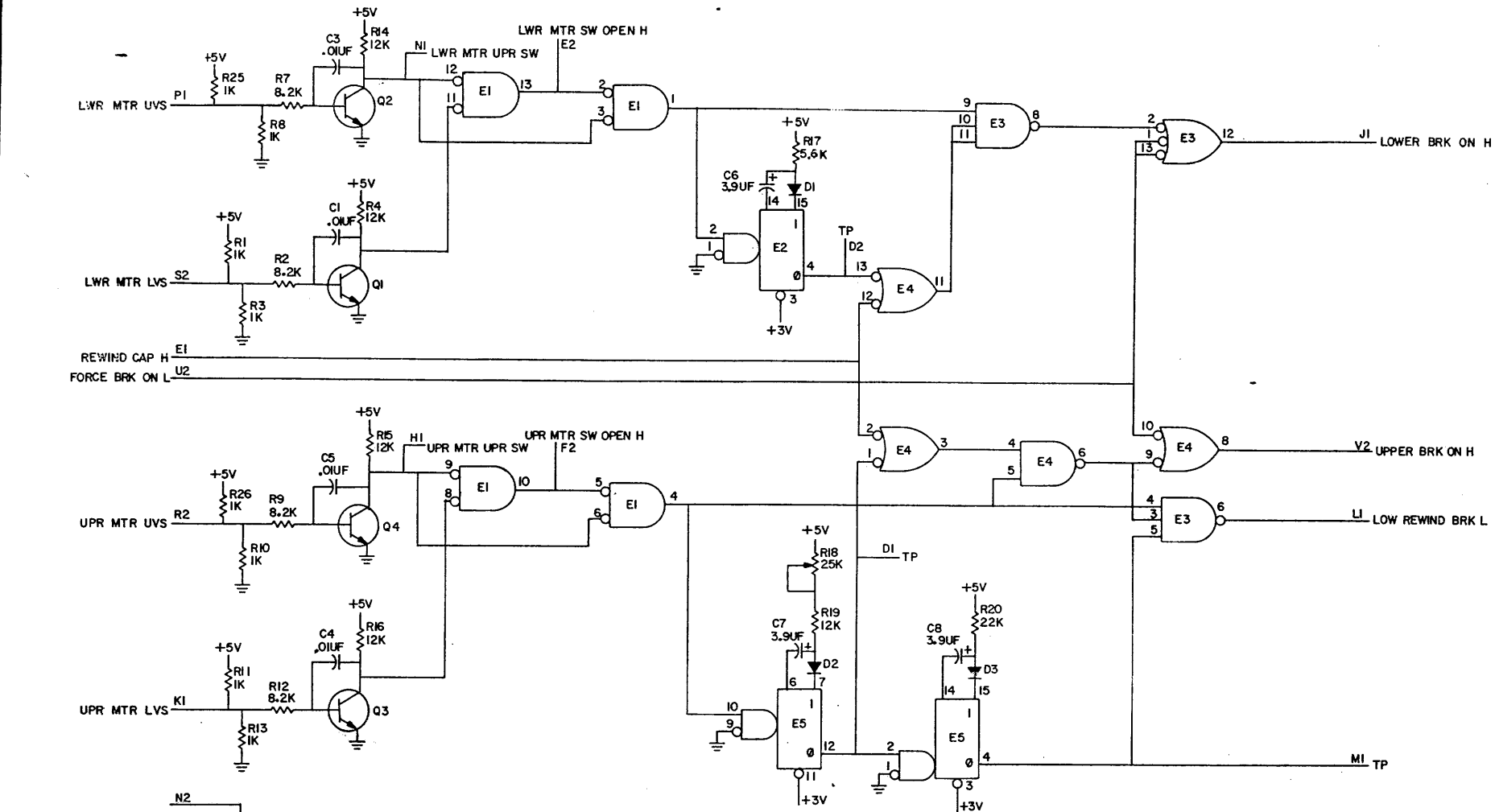
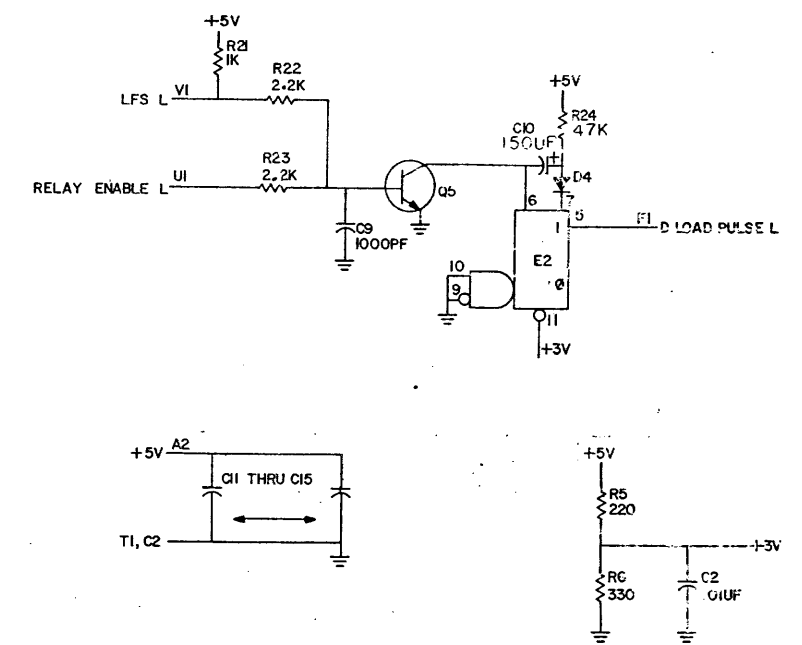
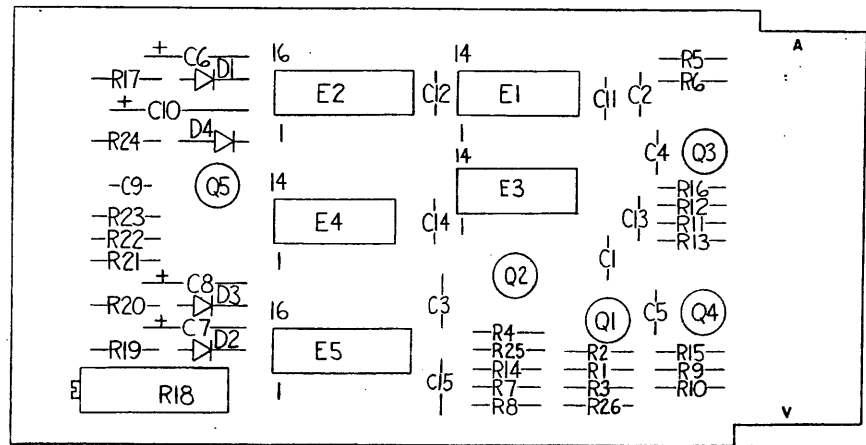


THIS SCHEMATIC IS FURNISHED ONLY FOR TEST AND MAINTENANCE PURPOSES. THE CIRCUITS ARE PROPRIETARY IN NATURE AND SHOULD BE TREATED ACCORDINGLY. COPYRIGHT 1971, BY DIGITAL EQUIPMENT CORPORATION.



PIN 7 = GND ON E1, E3, E4
 PIN 14 = +5V
 PIN 8 = GND ON E2, E5
 PIN 16 = +5V



QTY	REF DESIGNATION	DESCRIPTION	MANUFACTURER	REV
1		HANDLE, FLIP CHIP - GREEN	90C8117-02	25
2		EYELET #04d-7	9006772	25
1	R17	RES. 5.6K 1/4W 5%	1901874	27
A/R		TRIPOINT	1210244-0	26
2	22, 5	7-16 DEC 74123	1910244	25
1	E1	I.C. DEC 7402	1909004	24
1	E3	I.C. DEC 7410	1905576	23
1	E4	I.C. DEC 7400	1905575	22
4	Q1, 2, 3, 4	TRANSISTOR DEC 6531	1509338	21
1	Q5	TRANSISTOR DEC 3009B	1503100	20
1	R18	RES. 25K POT HELIOTRM 76PR 3/4W 10%	1309143-12	19
4	R7, 7, 9, 12	RES. 8.2K 1/4W 5%	1303179	18
1	R24	RES. 47K 1/4W 5%	1302177	17
1	R20	RES. 22K 1/4W 5%	1301808	16
5	R4, 14, 15, 16, 19	RES. 12K 1/4W 5%	1300488	15
2	R22, 23	RES. 2.2K 1/4W 5%	1300417	14
9	R1, 3, 8, 10, 11, 13, 21, 25, 26	RES. 1K 1/4W 5%	1300365	13
1	R6	RES. 330 1/4W 5%	1300295	12
1	R5	RES. 220 1/4W 5%	1300271	11
4	D1 - D4	DIODE D664	1100114	10
10	C1 - C15	CAP. .01UF 100V 20% DISC	1001610	9
1	C10	CAP. 150UF 6V 20% TAN	1005572	8
3	C6, 7, 8	CAP. 3.9UF 10V 10% TAN	1000064	7
1	C9	CAP. 10UF 10V 5% TAN	1000042	6
1		ETCHED COPPER BOARD	5009548	5
		PCB - DEC HISTORY	9340-0-6	4
		ASSEMBLY INSTRUCTIONS	9340-0-5	3
		X-Y COORDINATE HOLES	9340-0-4	2
		DRILLING LIST	9340-0-3	1

REV	DATE	BY	CHKD	DATE	BY	CHKD	DATE	BY	CHKD
1	7-21-71

TRANSISTOR & DIODE CONVERSION CHART

DEC	EMA	DEC	EMA
D664	1N3606		
DEC6531	MPS6531		

digital EQUIPMENT CORPORATION
 TITLE: BRAKE ACTUATOR
 NUMBER: 69340-0-1
 REV: C