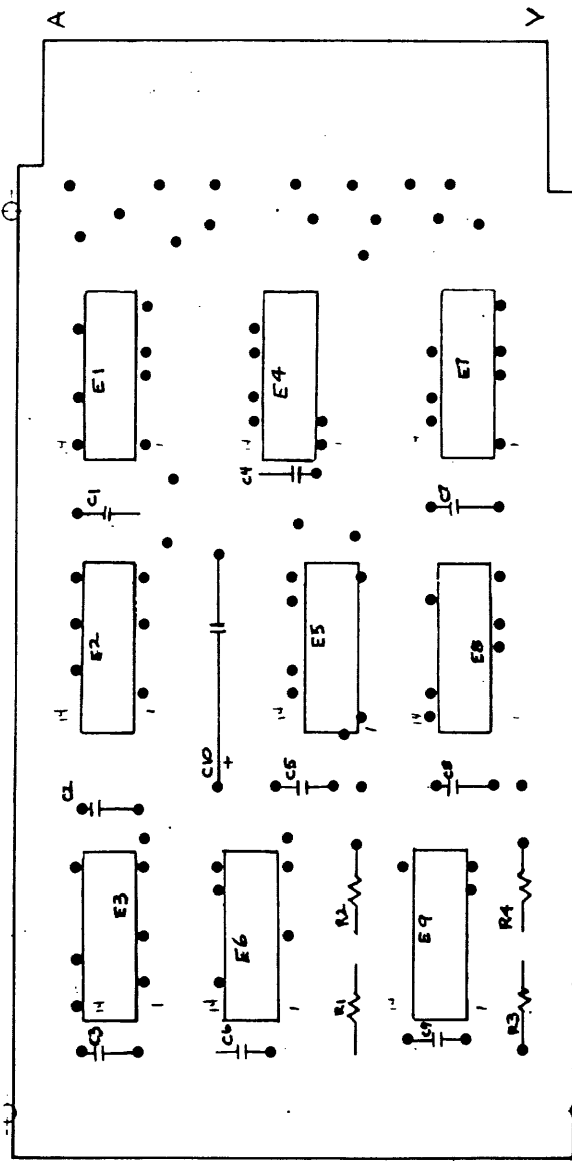
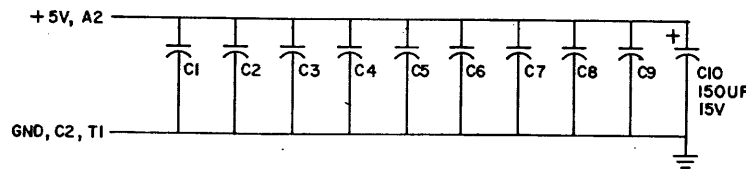
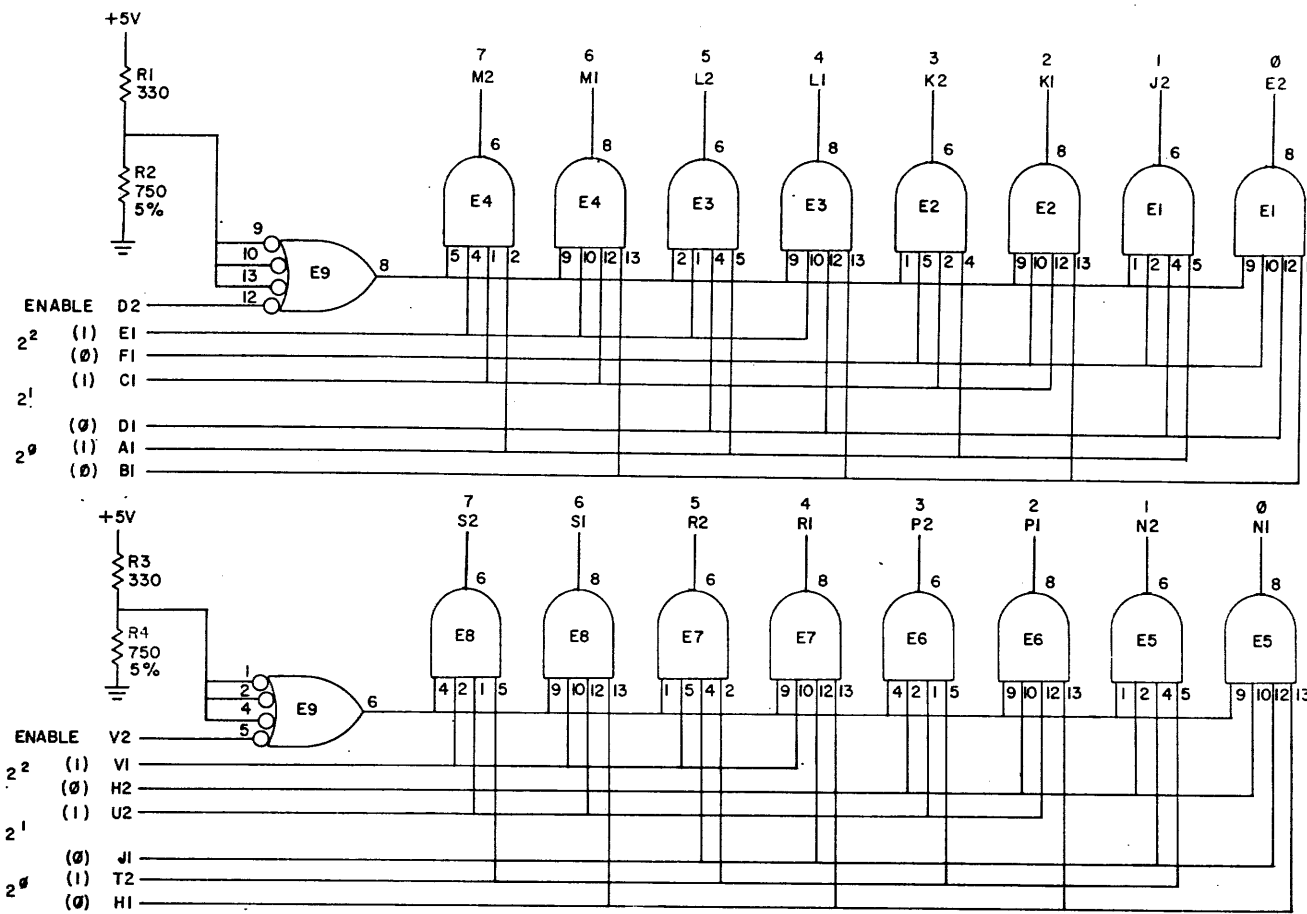


THIS SCHEMATIC IS FURNISHED ONLY FOR TEST AND MAINTENANCE PURPOSES. THE CIRCUITS ARE PROPRIETARY IN NATURE AND SHOULD BE TREATED ACCORDINGLY. COPYRIGHT 1970 BY DIGITAL EQUIPMENT CORPORATION



UNLESS OTHERWISE INDICATED:
 CAPACITORS = .01UF, 100V, 20%
 RESISTORS = 1/4W, 10%
 E1-E8 = DEC1074H21
 E9 = DEC1074H20
 PIN 7 = GND ON ALL IC'S
 PIN 14 = +5V

PINS F2 AND U1 CAN NOT BE USED.
 THEY ARE USED FOR BACKPLANE
 TWISTED PAIR GROUNDS.



ITEM NO.	DEC PART NO.	DESCRIPTION	QTY.
12	9008337-06	HANDLS, FLIP CHIP - MAGENTA	1
11	9006732	EYELET #GS 4-7	2
10	1910467	I.C. DEC1074H21	8
9	1910466	I.C. DEC1074H20	1
8	1301401	RES. 750, 1/4W, 5%	2
7	1300293	RES. 330, 1/4W, 10%	2
6	1001610	CAP. .01UF, 100V, 20% DISC	9
5	1000084	CAP. 150UF, 15V, 20% S. TANT	1
4	5009323	ETCHED CIRCUIT BOARD	1
3	B-MH-M152-0-6	MODULE ECO HISTORY	
2	C-AH-M152-0-5	ASSY/DRILLING HOLE LAYOUT	
1	K-CO-M152-0-4	X-Y COORDINATE HOLE LOCATION	

REV.	DATE	BY	CHK'D
1	11/23/70	NANLY MOORE	
2	1-29-71		
3	1/23/71		

DATE	BY	CHK'D
11/23/70	NANLY MOORE	
1-29-71		
1/23/71		

TRANSISTOR & DIODE CONVERSION CHART			
DEC	EIA	DEC	EIA

digital EQUIPMENT CORPORATION
 MAYNARD, MASSACHUSETTS

TITLE: 2 DECODERS MI52
 NUMBER: MI52-0-1
 REV: B

REV. D
 MI52-0-1