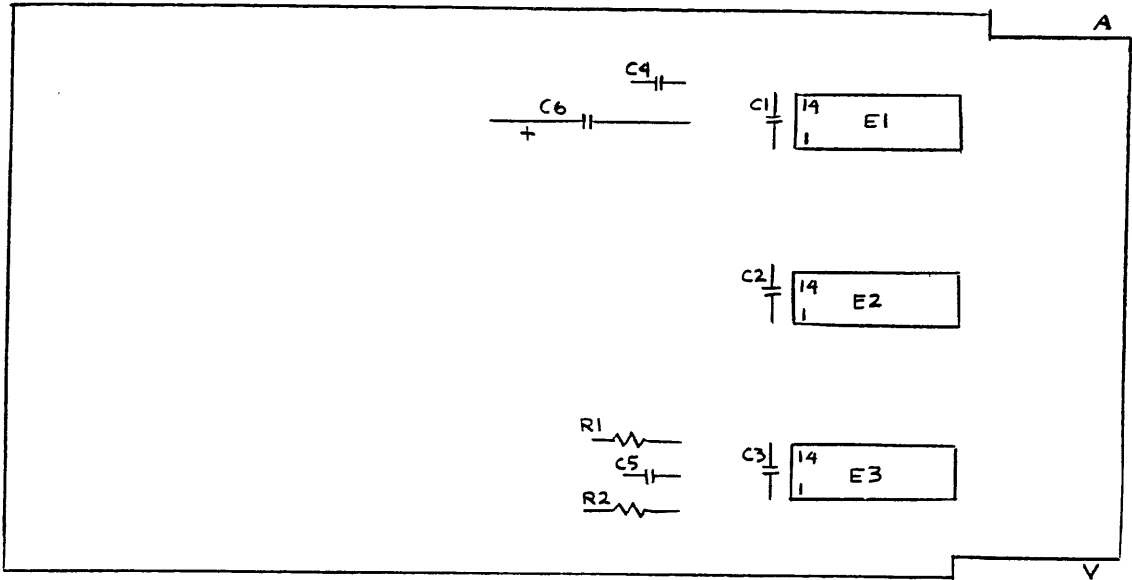
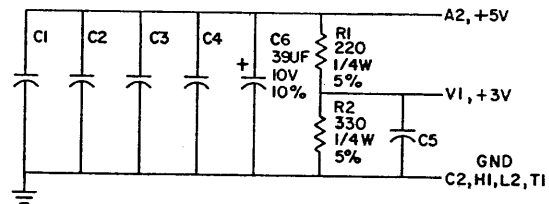
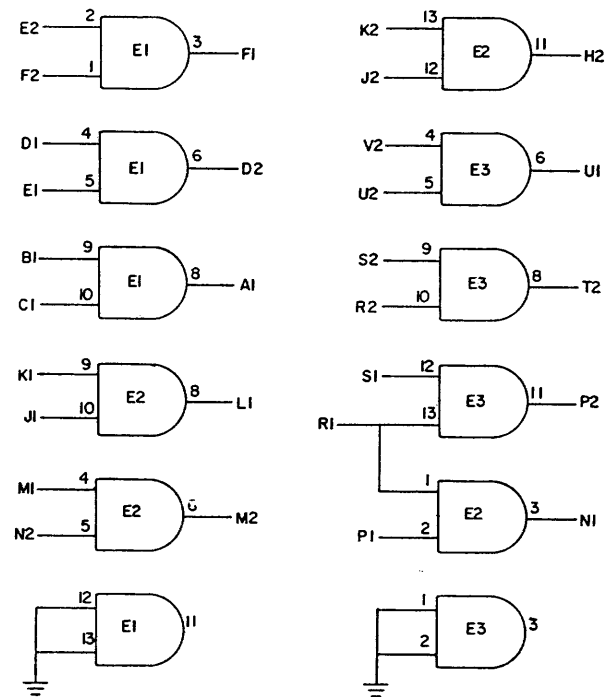


THIS SCHEMATIC IS FURNISHED ONLY FOR TEST AND MAINTENANCE PURPOSES. THE CIRCUITS ARE PROPRIETARY IN NATURE AND SHOULD BE TREATED AS CONFIDENTIAL. COPYRIGHT 1970 BY DIGITAL EQUIPMENT CORPORATION.



UNLESS OTHERWISE INDICATED:
CAPACITORS = .01UF, 100V, 20%
IC'S = DEC3001
PIN 7 = GND ON ALL IC'S
PIN 14 = +5V

ITEM NO.	DEC PART NO.	DESCRIPTION	QTY
11	9008337-06	HANDLE, FLIP CHIP - MAGENTA	1
10	9006732	EYELET #GS 4-7	2
9	1909514	I.C. DEC 3001	3
8	1300295	RES. 330, 1/4W, 5%	1
7	1300271	RES. 220, 1/4W, 5%	1
6	1001610	CAP. .01UF, 100V, 20% DISC	5
5	1000076	CAP. 39UF, 10V, 10% TANT	1
4	5009292	ETCHED CIRCUIT BOARD	1
3	B-MH-M173-0-6	MODULE ECO HISTORY	
2	C-AH-M173-0-5	ASSY/DRILLING HOLE LAYOUT	
1	K-CO-M173-0-4	X-Y COORDINATE HOLE LOCATION	

REV. A
NUMBER M173-0-1
SIZE CODE C CS

REV.	CHG NO.	REV.
1	00001	A

DRN	DATE
WANCY MOORE	12/16/70
CHK'D	DATE
ENCL	DATE
PROD	DATE

TRANSISTOR & DIODE CONVERSION CHART			
DEC	EIA	DEC	EIA

digital EQUIPMENT CORPORATION
MAYNARD, MASSACHUSETTS

TITLE: **IO AND GATES M173**

SIZE CODE: C CS NUMBER: M173-0-1 REV: A

PRINTED CIRCUIT REV: AB

DEC FORM NO. DRC 10

Rev B