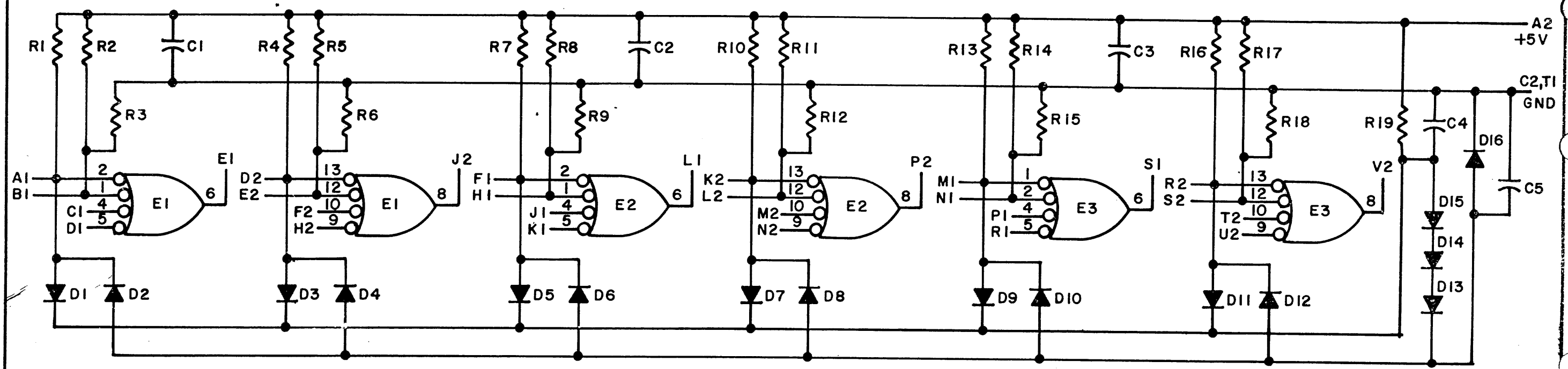


THIS SCHEMATIC IS FURNISHED ONLY FOR TEST AND MAINTENANCE PURPOSES. THE CIRCUITS ARE PROPRIETARY IN NATURE AND SHOULD BE TREATED ACCORDINGLY. COPYRIGHT 1968 BY DIGITAL EQUIPMENT CORPORATION



NOTES:  
PIN 7 ON EACH IC = GND  
PIN 14 ON EACH IC = +5V

E1-E3	INTEGRATED CKT. DEC7420N	1905577
R19	RES. 330 1/4W 5% CC	1300295
R3,R6,R9,R12,R15,R18	RES. 1.5K 1/4W 5% CC	1300391
R2,R5,R8,R11,R14,R17	RES. 750 1/4W 5% CC	1301401
R1,R4,R7,R10,R13,R16	RES. 220 1/4W 5% CC	1300271
D13-D16	DIODE D662	1100113
D1-D12	DIODE D664	1100114
C1-C5	CAP. .01MFD 100V 20% DISC	1001610
	PARTS LIST	A-PL-M516-0-0
REFERENCE DESIGNATION	DESCRIPTION	PART NO.

REVISIONS CHK CHG NO. REV.	DRN. <i>M. Walker</i>	DATE 6-20-68	TRANSISTOR & DIODE CONVERSION CHART			TITLE POSITIVE BUS RECEIVER M516	
	CHK'D <i>H. Swinick</i>	DATE 6-20-68	DEC	EIA		DEC	EIA
	ENG. <i>J. Choyle</i>	DATE 7/1/68	D662	IN645			
	PROD.	DATE	D664	IN3606			
DEC FORM NO. DRB 102					EQUIPMENT CORPORATION MAYNARD, MASSACHUSETTS		PRINTED CIRCUIT REV. A

PINK

DIST 324 434 437