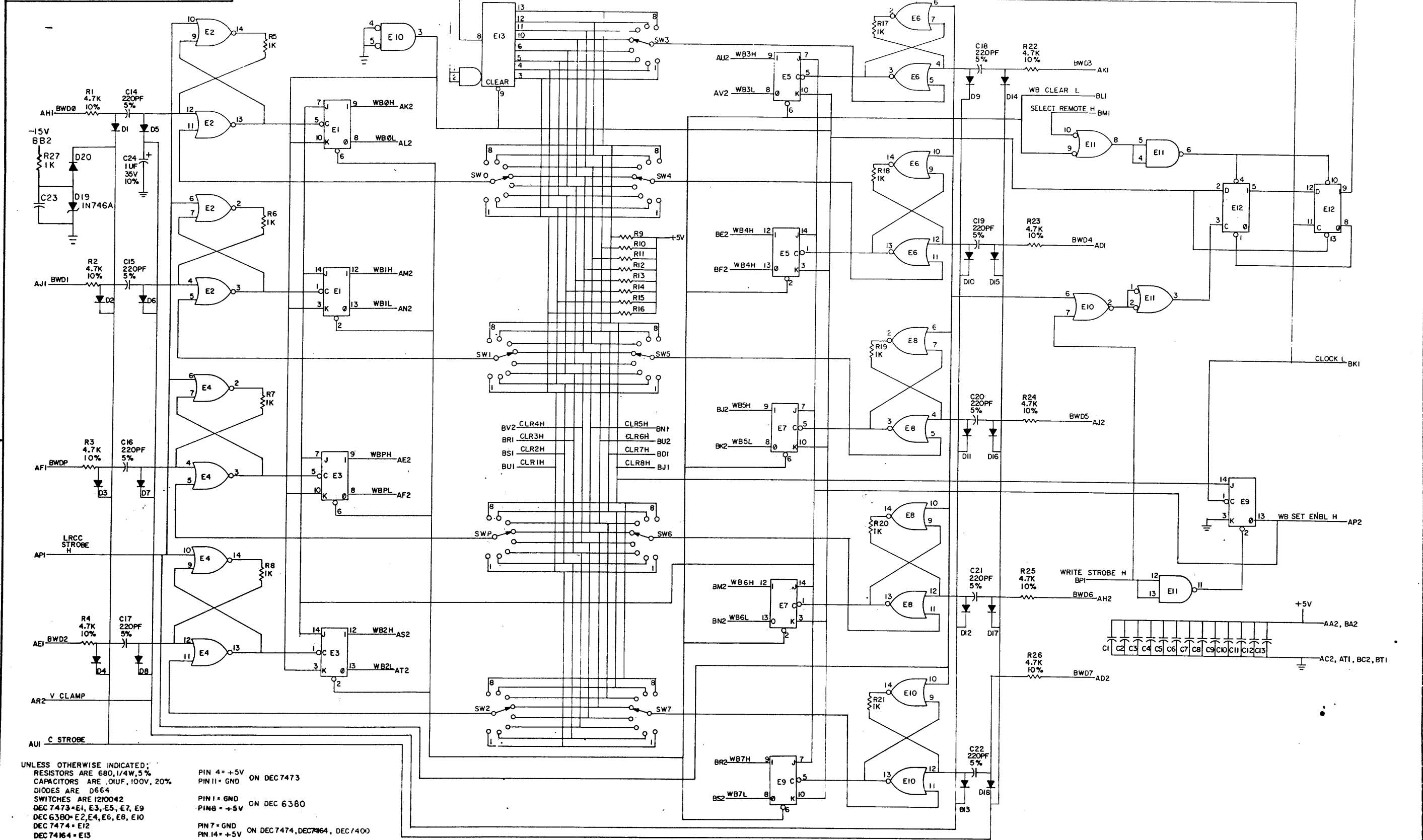


THIS SCHEMATIC IS FURNISHED ONLY FOR TEST AND MAINTENANCE PURPOSES. THE CIRCUITS ARE PROPRIETARY IN NATURE AND SHOULD BE TREATED ACCORDINGLY. COPYRIGHT 1970 BY DIGITAL EQUIPMENT CORPORATION.



UNLESS OTHERWISE INDICATED:  
 RESISTORS ARE 680, 1/4W, 5%  
 CAPACITORS ARE .01UF, 100V, 20%  
 DIODES ARE D664  
 SWITCHES ARE 1210042  
 DEC 7473 = E1, E3, E5, E7, E9  
 DEC 6380 = E2, E4, E6, E8, E10  
 DEC 7474 = E12  
 DEC 74164 = E13  
 DEC 7400 = E11

PIN 4 = +5V ON DEC 7473  
 PIN 11 = GND ON DEC 7473  
 PIN 1 = GND ON DEC 6380  
 PIN 8 = +5V ON DEC 6380  
 PIN 7 = GND ON DEC 7474, DEC 7464, DEC 7400  
 PIN 14 = +5V ON DEC 7474, DEC 7464, DEC 7400

REVISIONS

REV	DATE	BY	CHKD	DESCRIPTION
1	11/11/70	...	...	...
2	11/11/70	...	...	...

TRANSISTOR & DIODE CONVERSION CHART

MANUFACTURER	TYPE	DIGITAL EQUIPMENT CORPORATION
...	...	...

DATE: 11/11/70  
 TIME: 3:57

**digital** EQUIPMENT CORPORATION  
 MIDDLEBORO, MASSACHUSETTS

TITLE: WRITE BUFFER M763  
 SIZE: D CS  
 NUMBER: M763-U-1  
 REV: E

M763-U-1