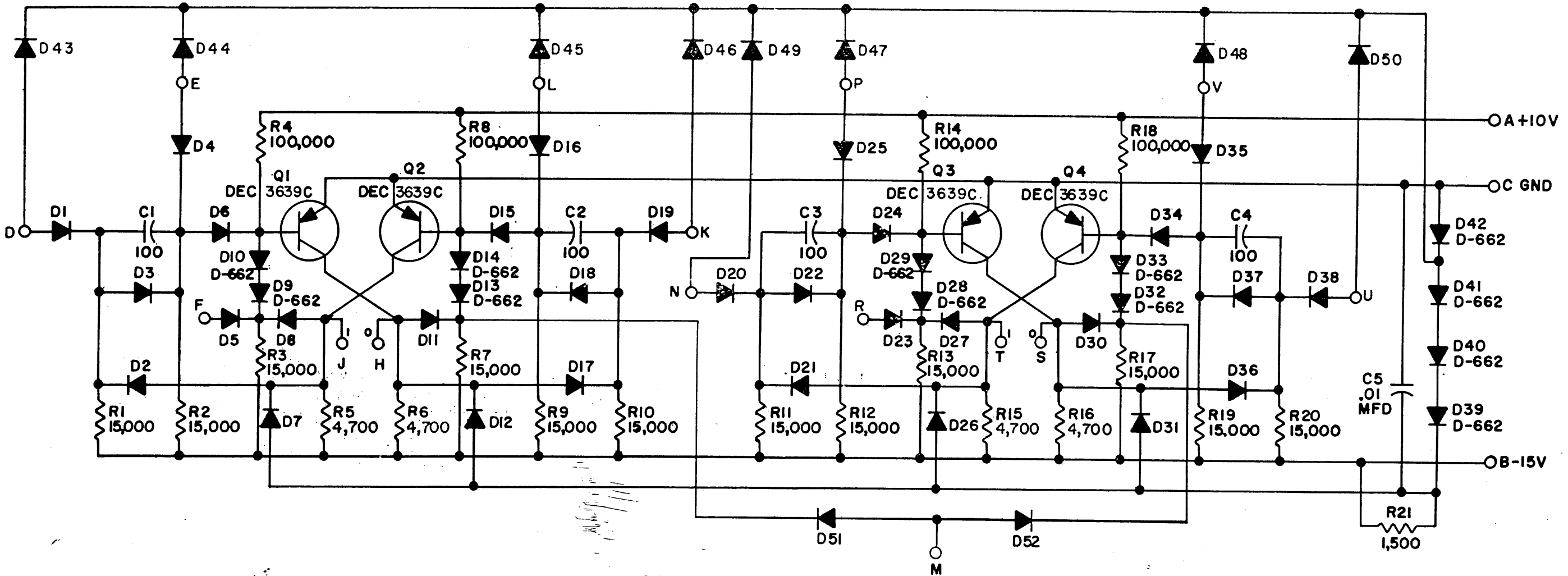
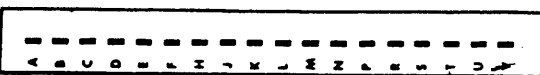


THIS SCHEMATIC IS FURNISHED ONLY FOR TEST AND MAINTENANCE PURPOSES. THE CIRCUITS ARE PROPRIETARY IN NATURE AND SHOULD BE TREATED ACCORDINGLY. COPYRIGHT 1964 BY DIGITAL EQUIPMENT CORPORATION



UNLESS OTHERWISE INDICATED:
 RESISTORS ARE 1/4W, 5%
 CAPACITORS ARE MMFD
 DIODES ARE D-664



REVISIONS CHG NO. REV. 4 RMS 6330 REV. REDR. 6549 F	DRN. A.OUELLETTE DATE 6-16-64	TRANSISTOR & DIODE CONVERSION CHART		 EQUIPMENT CORPORATION MAYNARD, MASSACHUSETTS	TITLE DUAL FLIP FLOP R202		
	CHK'D N.PERRYMAN DATE 6-16-64	DEC DEC3639C D662 D664	EIA 2N3639 IN645 IN3606		SIZE B CODE CS NUMBER R202-0-1	REV. F	
	ENG. R.BANK DATE 6-22-64				PRINTED CIRCUIT REV. DE		
	PROD. DATE						