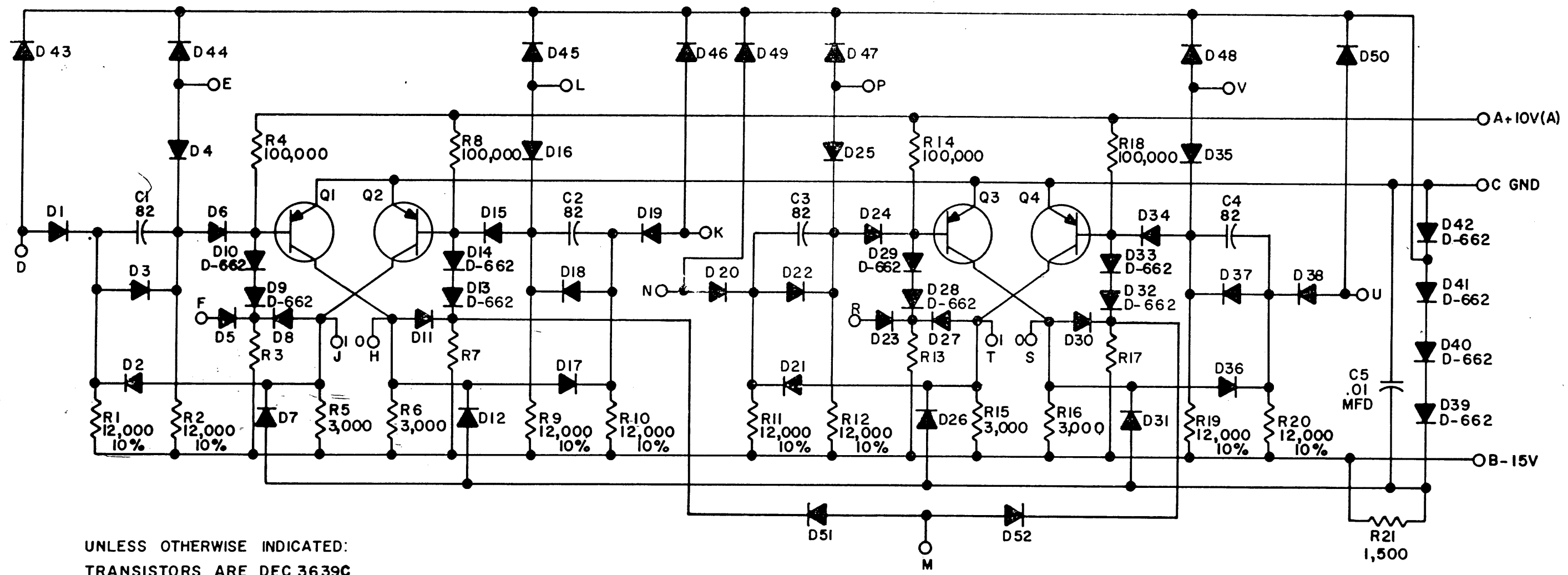




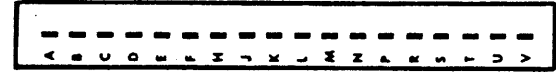
REV. D	NUMBER S202-0-1	CS	B
--------	-----------------	----	---

THIS SCHEMATIC IS FURNISHED ONLY FOR TEST AND MAINTENANCE PURPOSES. THE CIRCUITS ARE PROPRIETARY IN NATURE AND SHOULD BE TREATED ACCORDINGLY. COPYRIGHT 1965 BY DIGITAL EQUIPMENT CORPORATION



UNLESS OTHERWISE INDICATED:  
 TRANSISTORS ARE DEC 3639C  
 RESISTORS ARE 15,000  
 RESISTORS ARE 1/4W, 5%  
 CAPACITORS ARE MMFD  
 DIODES ARE D-664

USE THE ETCH BOARD OF THE R202



REV. NO.	CHK	CHG	NO.	REV.
1	DAW	4994		
B	REV. & REDR.	5469		
C		6493		
D		6683		

DRN. I. HAHN	DATE 6-15-65
CHK'D R. SIVERMAN	DATE 6-18-65
ENG. R. SOGGE	DATE 6-18-65
PROD.	DATE

TRANSISTOR & DIODE CONVERSION CHART			
DEC	EIA	DEC	EIA
DEC 3639C	2N3639		
D 662	1N645		
D 664	1N3606		

**digital**  
 EQUIPMENT CORPORATION  
 MAYNARD, MASSACHUSETTS

TITLE DUAL FLIP-FLOP S202			
SIZE B	CODE CS	NUMBER S202-0-1	REV. D
PRINTED CIRCUIT REV. DE			

