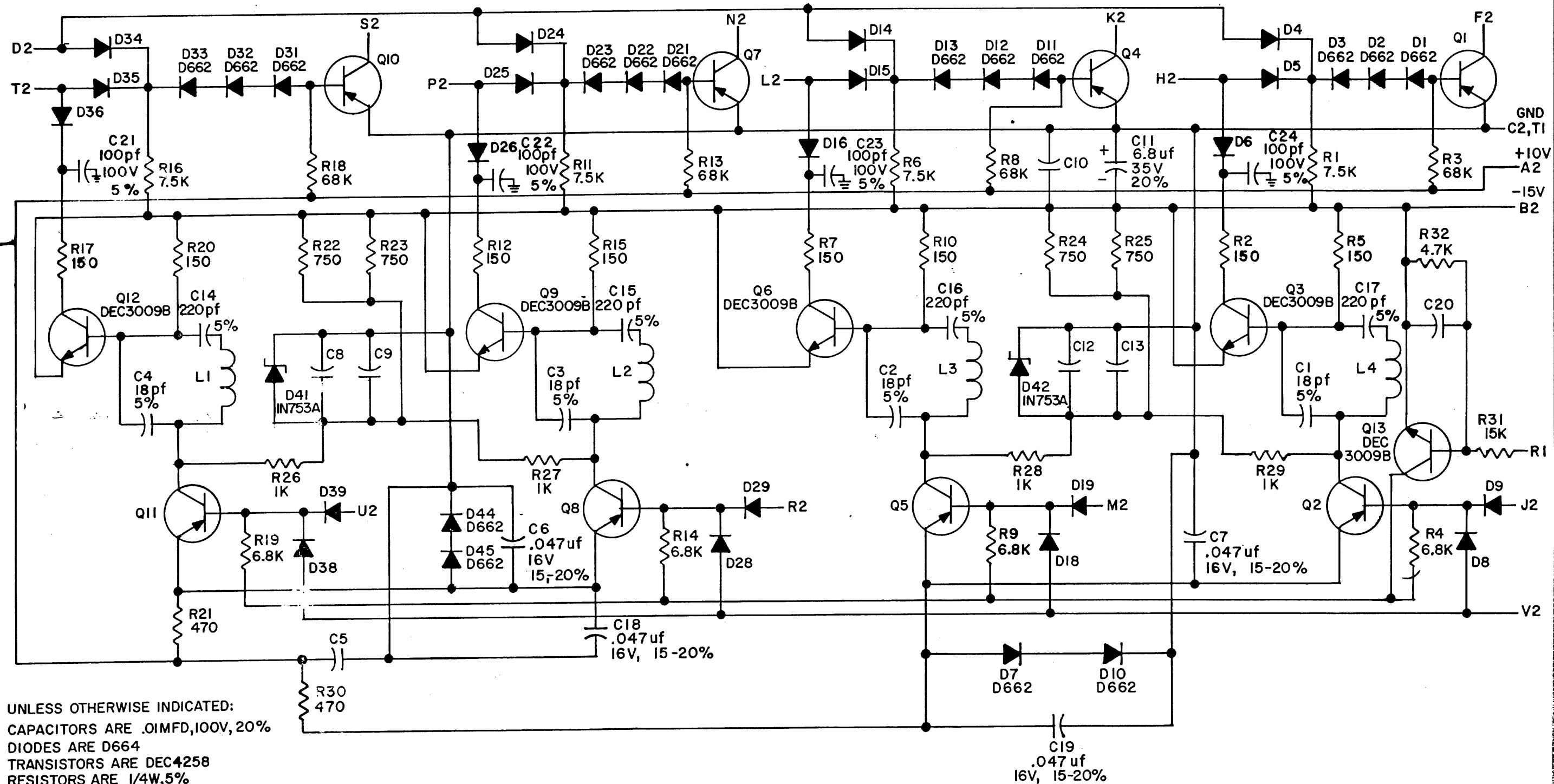


THIS SCHEMATIC IS FURNISHED ONLY FOR TEST AND MAINTENANCE PURPOSES. THE CIRCUITS ARE PROPRIETARY IN NATURE AND SHOULD BE TREATED ACCORDINGLY. COPYRIGHT 1969 BY DIGITAL EQUIPMENT CORPORATION



UNLESS OTHERWISE INDICATED:
 CAPACITORS ARE .01MFD, 100V, 20%
 DIODES ARE D664
 TRANSISTORS ARE DEC4258
 RESISTORS ARE 1/4W, 5%
 L1 THRU L4 ARE 2.2µH CHOKES 1/4W, 10%

REVISONS	CHK	CHG NO.	REV.
		00001	A
		00002	B
		00003	C
		00004	D

DRN	DATE
<i>Butler</i>	10/15/69
CHK'D	DATE
<i>J.D. [unclear]</i>	12/11/69
ENG.	DATE
<i>for P. Sullivan</i>	5-14-70
PROD.	DATE

TRANSISTOR & DIODE CONVERSION CHART			
DEC		EIA	
D664		IN3606	
D662		IN645	
DEC3009B		2N3009B	
DEC4258		NONE	
DECIN753A		SAME	

digital
 EQUIPMENT CORPORATION
 MAYNARD, MASSACHUSETTS

TITLE			
BUS TRANSCEIVER W122			
SIZE	CODE	NUMBER	REV.
B	CS	W122-0-1	D
PRINTED CIRCUIT REV.			F