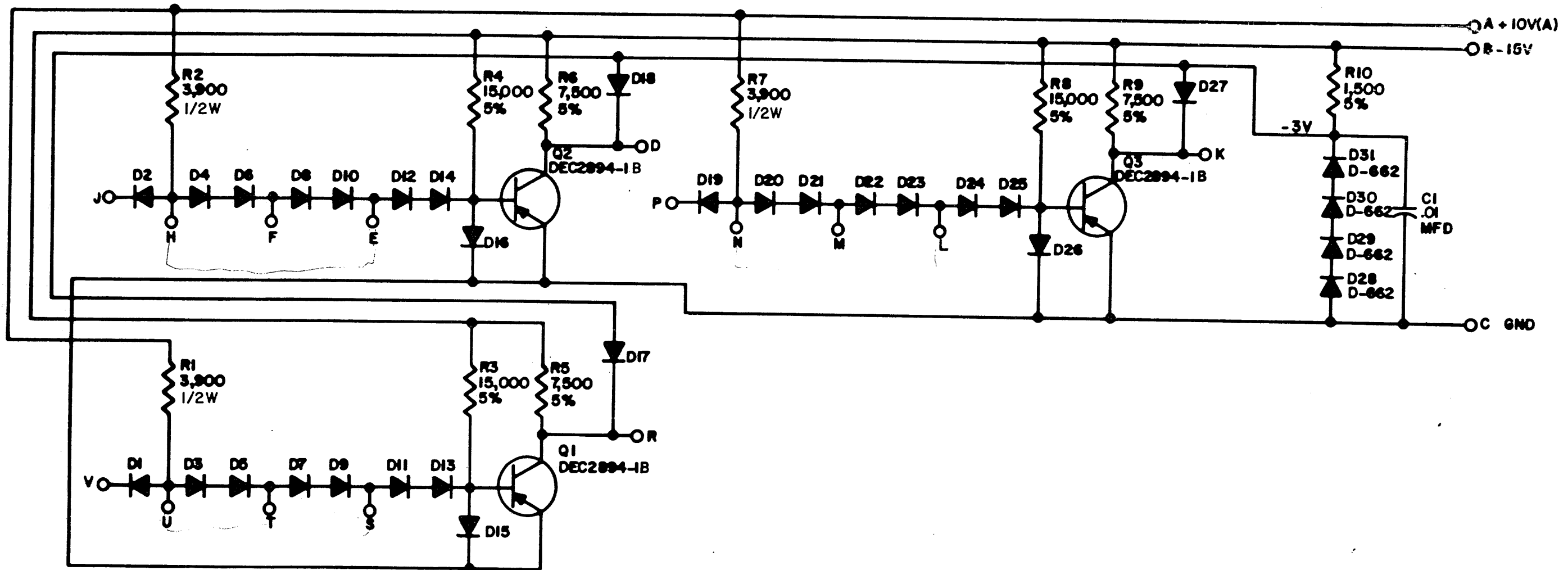
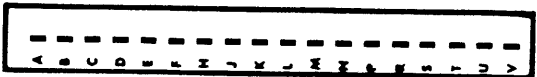


THIS SCHEMATIC IS FURNISHED ONLY FOR TEST AND MAINTENANCE PURPOSES. THE CIRCUITS ARE PROPRIETARY IN NATURE AND SHOULD BE TREATED ACCORDINGLY. COPYRIGHT 1964 BY DIGITAL EQUIPMENT CORPORATION



UNLESS OTHERWISE INDICATED:
 RESISTORS ARE 1/4W, 10%
 DIODES ARE D-664



REVISIONS	CHK CHG NO. REV.	DRN. H. W. PORTER	DATE 10-6-64	TRANSISTOR & DIODE CONVERSION CHART		digital	TITLE POSITIVE LEVEL CONVERTER W510			
	REV. REDR.	ENG. P. SULLIVAN	DATE 10-8-64	DEC	EIA		EQUIPMENT CORPORATION	SIZE B	CODE CS	NUMBER W510-0-1
	5731 A			DEC2894-IB	NONE	MAYNARD, MASSACHUSETTS	PRINTED CIRCUIT REV. B			
	6463 B	PROD.	DATE	D662	IN645					
				D664	IN3606					