

"THE MATERIAL HEREIN IS FOR INFORMATION PURPOSES ONLY AND IS SUBJECT TO CHANGE WITHOUT NOTICE. DIGITAL EQUIPMENT CORPORATION ASSUMES NO RESPONSIBILITY FOR ANY ERRORS WHICH MAY APPEAR HEREIN."

**FIELD MAINTENANCE PRINT SET**

"THIS DRAWING AND SPECIFICATIONS, HEREIN, ARE THE PROPERTY OF DIGITAL EQUIPMENT CORPORATION AND SHALL NOT BE REPRODUCED OR COPIED OR USED IN WHOLE OR IN PART AS THE BASIS FOR THE MANUFACTURE OR SALE OF ITEMS WITHOUT WRITTEN PERMISSION. COPYRIGHT © 1978 DIGITAL EQUIPMENT CORPORATION."

**TABLE OF CONTENTS**

B-TC-KDF11-A-1	FIELD MAINTENANCE PRINT SET KDF11-A
K-PL-KDF11-A-DBP	PARTS LIST, KDF11-A
C-UA-KDF11-A-Ø	UNIT ASSY, KDF11-A
B-DD-M8186-Ø	DRAWING DIRECTORY, M8186
D-UA-M8186-Ø-Ø	UNIT ASSY, M8186
K-PL-M8186-Ø-DBP	KDF11-A CPU
D-CS-M8186-Ø-1	KDF11-A CPU (CIRCUIT SCHEMATIC)

UNIT VARIATIONS COVERED BY THIS PRINT SET
KDF11-AA
KDF11-AB
KDF11-AC

**KDF11-A  
Field Maintenance  
Print Set**

**Digital Equipment  
Corporation**

PRINT SET ORDER NO.  
MPØØ734

REV. B  
NUMBER KDF11-A-1  
SIZE CODE TC

REV. B	CHG. NO.	KDF11-A-MLOØ1	USED ON OPTION/MODEL	DRN.	DATE	TITLE: FIELD MAINTENANCE PRINT SET KDF11-A
	DATE		11/23-A	W.J. MAHER	7DEC78	
2/7/80			CHK'D			
			PROJ. ENG.			
				R.W. Redman	3/15/79	digital
				FIELD SERV.		SIZE B CODE TC NUMBER KDF11-A-1 REV. B
			SHEET 1 OF 1	R.J. Smith	3/22/79	DIST.

AUTOMATED BY PRTLST.3L(40)

PARTS LIST

SHEET A1 OF A1

LINE ITEM	DOCUMENT NUMBER	PART NUMBER	DESCRIPTION	QUANTITY PER VARIATION		
				AA	AB	AC
1	1	M8186-00	16 BIT MICROPROCESSOR	1	1	1
2	2	2115542-01	F1==11 MMV W/FLOAT PT RE	1	1	-
3	3	5700001-00	CTL/CTL HYBRID KEF11-AA	-	1	-
4	4	9905622-00	BOX, FOLDING	1	1	1

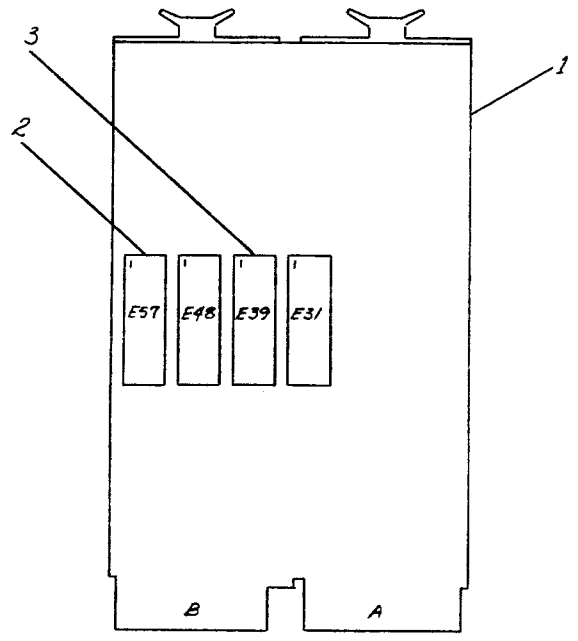
REVISION HISTORY		BASIC PART NO: KDF11		DRN:	P. BLODGETT	DATE:	D I G I T A L			
ENG	ECO NUMBER	REV	SECTION A OF A	CHK'D:	W. J. MAHER	DATE:	TITLE PARTS LIST			
MT	KDF11A-ML001	B	SECTION, VARIATION INDEX	CHK'D:	W. J. MAHER <td>DATE:</td> <td colspan="3">DUAL HEIGHT CPU</td>	DATE:	DUAL HEIGHT CPU			
			[A] AA, AB, AC							
			[B]	DES. ENG.:	R. BADEAU	DATE:	DOCUMENT NUMBER			
			[C]							
			[D]	RESP. ENG.:	R. BADEAU	DATE:	SIZE CODE NUMBER REV			
			[E]				K	PL	KDF11-A-DBP	B
			[F]	MFG. ENG.:	A. HOFFMAN	DATE:	ASSEMBLY NUMBER: TOP DOCUMENT NUMBER: FILE NAME: EDIT #			
							B-DD-KDF11-A-0		Z04723.PLS	4

"THIS DRAWING AND SPECIFICATIONS HEREIN, ARE THE PROPERTY OF DIGITAL EQUIPMENT CORPORATION AND SHALL NOT BE REPRODUCED OR COPIED OR USED IN WHOLE OR IN PART AS THE BASIS FOR THE MANUFACTURE OR SALE OF ITEMS WITHOUT WRITTEN PERMISSION. COPYRIGHT (C) 1980. DIGITAL EQUIPMENT CORPORATION"

THIS DRAWING AND SPECIFICATIONS HEREIN ARE THE PROPERTY OF DIGITAL EQUIPMENT CORPORATION AND SHALL NOT BE REPRODUCED OR COPIED OR USED IN WHOLE OR IN PART AS THE BASIS FOR THE MANUFACTURE OR SALE OF ITEMS WITHOUT WRITTEN PERMISSION. COPYRIGHT © 1980 DIGITAL EQUIPMENT CORPORATION

LEGEND	
NUMBER	DESCRIPTION
KDFII-AA	M8186 + KTFII-AA
KDFII-AB	M8186 + KTFII-AA + KEFII-AA
KDFII-AC	M8186

NOTES:  
 1. FOR PROPER OPERATION OF FLOATING POINT (ITEM #3), THE M8186 MODULE (ITEM #1) MUST BE AT HARDWARE REVISION A6 OR C2 OR LATER.  
 2. WHEN INSTALLING ITEMS #2 OR #3 ON ITEM #1 MAKE SURE THAT PIN 1 IS LOCATED AS SHOWN.



COMPONENT SIDE VIEW

FOR PARTS LIST SEE: K-PL-KDFII-A-DBP

REVISION HISTORY	
DATE	REV.
10/2/79	B
11/16/79	A

M. TEHRANIAN  
 J. L. S. C.

DESCRIPTION	DRAWING NO.	PART NO.	ITEM NO.		
UNLESS OTHERWISE SPECIFIED DIMENSIONS ARE IN INCHES AND THE FOLLOWING TOLERANCES APPLY (PER DEC STD 114)					
INCHES TOLERANCES	ANGLES ± 0° 30'	APPLICABLE DIMENSION RANGE (CHECK ONE)	DIMENSIONS RANGE IN INCHES		
			OVER 0 TO 0.2	OVER 0.2 TO 1.2	OVER 1.2 TO 4.0
X ± .1 XX ± .02 XXX ± .005	<input type="checkbox"/> SURFACE QUALITY <input checked="" type="checkbox"/> MICRONICHES	<input type="checkbox"/> ± .02 <input type="checkbox"/> ± .004 <input type="checkbox"/> ± .008 <input type="checkbox"/> ± .012 <input type="checkbox"/> ± .016 <input type="checkbox"/> ± .024 <input type="checkbox"/> ± .04	<input type="checkbox"/> ± .10 <input type="checkbox"/> ± .04		
THIRD ANGLE PROJECTION	DRW: J. L. S. C.	DATE: 2/7/80	TITLE: digital		
DO NOT SCALE DRAWING	CHKD: [Signature]	DATE: 2/7/80	KDFII-A CPU UNIT ASSEMBLY		
REMOVE BURRS AND BREAK SHARP CORNERS	DES ENG: [Signature]	DATE: 11 Feb 80			
MATERIAL	REP ENG: [Signature]	DATE: 11 Feb 80	DOCUMENT NUMBER		
FINISH	MFG ENG: A. Samuel	DATE: 11 Feb 80	SIZE CODE: C U A		
	NET HIGHER DOC: B-DD-M8186-0		NUMBER: KDFII-A-0		
			REV: B		

C U A KDFII-A-0  
 SIZE NUMBER  
 B

C U A KDFII-A-0  
 SIZE NUMBER  
 B

REF. K	NUMBER M8186-0	DD B	SIZE DD B
--------	----------------	------	-----------

DRAWING NO.	NO. OF SHTS.	PART NO.	DESCRIPTION	REVISIONS													
				A0	A1	A2	A3	A4	A5	A6	A7						
D-UA-M8186-0-0	3	M8186	HARDWARE REVISION (ETCH A) KDF11A CPU	*	A	B	C	C	C1	C2	C2	C2	C3				
B-PL-M8186-0-0			PARTS LIST	*	A	B	C	C	C	C1	C2	C3	C3				
D-CS-M8186-0-1	4		KDF11A CPU	*	A	B	C	C	C1	C2	C2	C2	C3				
D-MD-5013326-0-0	5		DRILL AND ETCH DRAWING	*	*	*	*	*	*	*	*	*	*				
		5013326	ETCHED BOARD	A	A	A	A	A	A	A	A	A	A				
		M8186	HARDWARE REVISION (ETCH C)						C0	C0	C1	C2	C2	C3			
D-IA-M8186-0-0			KDF11-A CPU					D	D	E	E	E	F				
K-PL-M8186-0-DBP			DATA BASE PARTS LIST					D	D	E	F	H	J				
D-CS-M8186-0-1			KDF11-A CPU					D	D	E	E	E	F				
D-MD-5013326-0-0			DRILL AND ETCH DRAWING					D	D	D	D	D	D				
		5013326	ETCHED BOARD					C	C	C	C	C	C				

**NOTES:**

- THE HARDWARE REVISION IS STAMPED ON THE MODULE HANDLE. IT IS A TWO FIELD ALPHA-NUMERIC CHARACTER. THE FIRST FIELD INDICATES THE ETCH REVISION. THE SECOND FIELD INDICATES THE NUMBER OF MODIFICATIONS TO THE BASIC BOARD.
- THERE WERE NO ETCH REVISION B BOARDS RELEASED TO PRODUCTION.

REVISIONS		REV.
DATE	CHG NO.	INITIAL
3-79		*
4-79	ML001	A
5-79	ML002	B
5-79	ML003	C
7-79	ML004	D
7-79	ML005	E
11-79	ML006	F
12-79	ML007	H
1-80	ML008	J
4-80	ML009	K

"THIS DRAWING AND SPECIFICATIONS, HEREIN, ARE THE PROPERTY OF DIGITAL EQUIPMENT CORPORATION AND SHALL NOT BE REPRODUCED OR COPIED OR USED IN WHOLE OR IN PART AS THE BASIS FOR THE MANUFACTURE OR SALE OF ITEMS WITHOUT WRITTEN PERMISSION.  
COPYRIGHT © 1979 DIGITAL EQUIPMENT CORPORATION



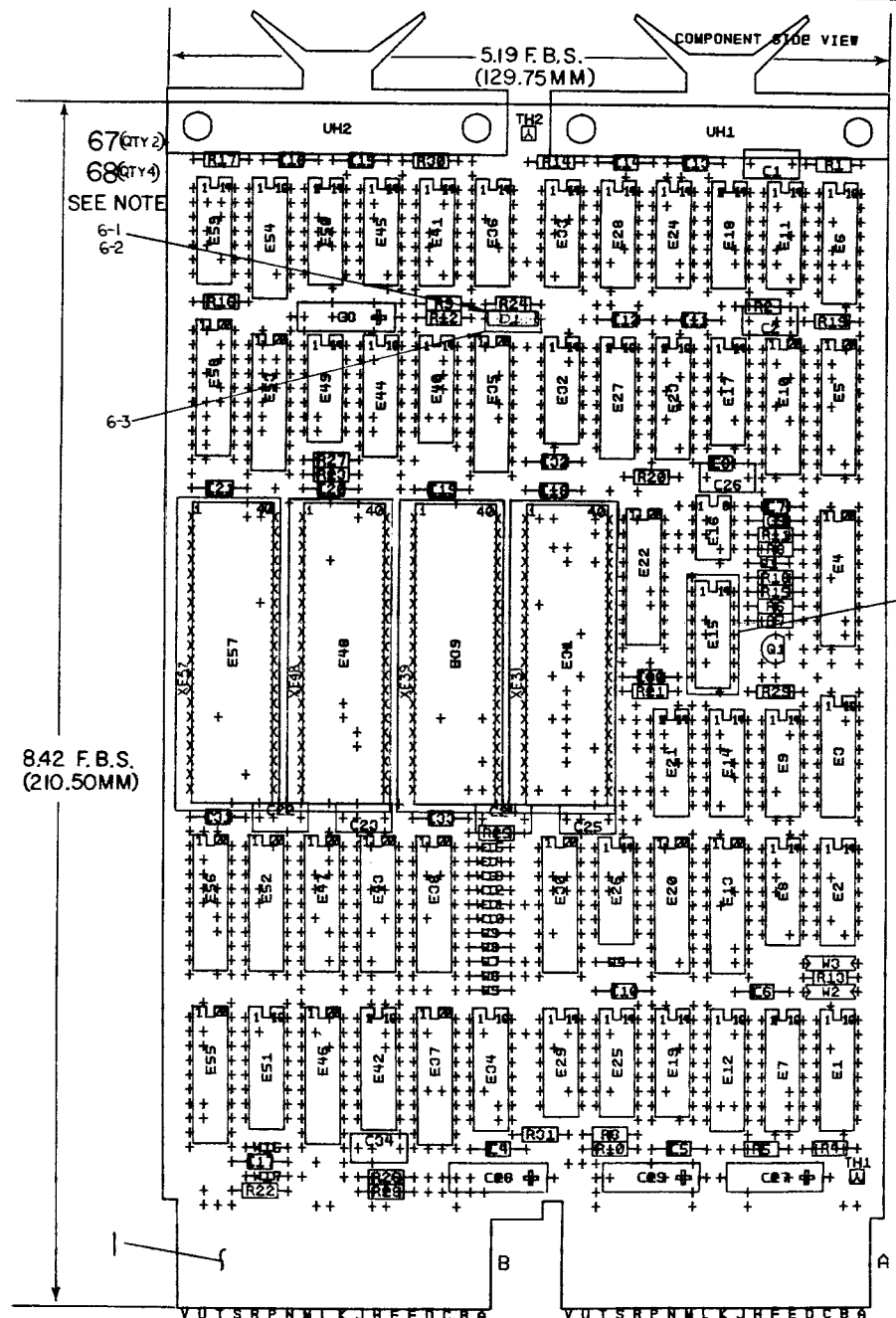
USED ON OPTION/MODEL KDF11A		DRN. Rita Z. Bureau	28FEB79	TITLE
		CHK'D <i>[Signature]</i>	3/1/79	KDF11A CPU
		ENG. <i>[Signature]</i>	3/15/79	SIZE CODE NUMBER
		PROD. <i>[Signature]</i>	3/15/79	B DD M8186-0
				REV. K
		SHEET   OF		

THIS DESIGN AND SPECIFICATION, HEREIN, ARE THE PROPERTY OF AEGION CORPORATION AND SHALL NOT BE REPRODUCED OR TRANSMITTED IN ANY FORM OR BY ANY MEANS, ELECTRONIC OR MECHANICAL, INCLUDING PHOTOCOPYING, RECORDING, OR BY ANY INFORMATION STORAGE AND RETRIEVAL SYSTEM, WITHOUT THE WRITTEN PERMISSION OF AEGION CORPORATION.  
 © 1979 AEGION CORPORATION

**REWORK INSTRUCTIONS**  
 ECO#6

- COMPONENT DELETES:**  
 6-1 DELETE JUMPER W18  
**COMPONENT ADDS:**  
 6-2 ADD DIODE D1 IN LOCATION PREVIOUSLY USED FOR W18. CATHODE IS TO THE RIGHT.  
**WIRE ADDS:**  
 6-3 ADD WIRE FROM LEFT END OF D1 TO RIGHT END OF D1. USE RED WIRE 9105740-22. DO NOT GLUE DOWN WIRE.

JUMPER CONFIGURATIONS																																		
JUMPER	NAME	FUNCTIONALITY	SHIPPING STATUS																															
W1	MASTER CLOCK	IN = ENABLED	IN																															
W2	RESERVED FOR DEC USE	FACTORY CONFIGURED, DO NOT CHANGE	OUT																															
W3	RESERVED FOR DEC USE	FACTORY CONFIGURED, DO NOT CHANGE	IN																															
W4	EVENT LINE ENABLE	OUT = ENABLED	IN																															
W5, W6	POWER UP MODE	<table border="1"> <thead> <tr> <th>MODE</th> <th>NAME</th> <th>W5</th> <th>W6</th> <th>W5-IN</th> <th>W6-OUT</th> </tr> </thead> <tbody> <tr> <td>0</td> <td>PC @ 24, PS @ 26</td> <td>OUT</td> <td>OUT</td> <td></td> <td></td> </tr> <tr> <td>1</td> <td>CONSOLE ODT</td> <td>IN</td> <td>OUT</td> <td></td> <td></td> </tr> <tr> <td>2</td> <td>BOOTSTRAP</td> <td>OUT</td> <td>IN</td> <td></td> <td></td> </tr> <tr> <td>3</td> <td>EXTENDED MICROCODE</td> <td>IN</td> <td>IN</td> <td></td> <td></td> </tr> </tbody> </table>	MODE	NAME	W5	W6	W5-IN	W6-OUT	0	PC @ 24, PS @ 26	OUT	OUT			1	CONSOLE ODT	IN	OUT			2	BOOTSTRAP	OUT	IN			3	EXTENDED MICROCODE	IN	IN				
MODE	NAME	W5	W6	W5-IN	W6-OUT																													
0	PC @ 24, PS @ 26	OUT	OUT																															
1	CONSOLE ODT	IN	OUT																															
2	BOOTSTRAP	OUT	IN																															
3	EXTENDED MICROCODE	IN	IN																															
W7	HALT/TRAP OPTION	IN=TRAP TO IO <sub>8</sub> ON HALT OUT=ENTER CONSOLE ODT ON HALT	OUT																															
W8	BOOTSTRAP ADDRESS	IN=POWER UP TO 173000 <sub>8</sub> OUT=POWER UP TO ADDRESS SPECIFIED BY W9-W15	IN																															
W9-W15	USER SELECTABLE BOOTSTRAP ADDRESS	W9-W15 CORRESPOND TO ADDRESS BITS 9 THRU 15 RESPECTIVELY IN=LOGIC 1, OUT=LOGIC 0	IN																															
W16, W17	RESERVED FOR DEC USE	FACTORY CONFIGURED, DO NOT CHANGE	IN																															
W18	WAKE-UP CIRCUIT	OUT = ENABLED	IN																															



**MODULE REWORK AT RELEASE**  
 ETCH CUTS - SIDE 1  
 O-1 UNDER E13 BETWEEN E13-18 & E20-18  
 O-2 UNDER E13 BETWEEN E13-16 & FEEDTHRU TO THE RIGHT OF E13-5

NOTES: REFER TO PARTS LISTS FOR ALL NUMBERED ITEMS.

S.E39 & E48 ARE SPARE IC'S

STEP E → Y AXIS 0 STEP 0 TIMES  
 REPORT → X AXIS 5,250 STEP 2 TIMES

CHANGE NO	REV	REVISION	DATE
1	D	REVISED & RETRANSMITTED	5-22-79
2	E	REVISED & RETRANSMITTED	6-11-79
3	F	REVISED & RETRANSMITTED	7-15-79
4	G	REVISED & RETRANSMITTED	7-15-79

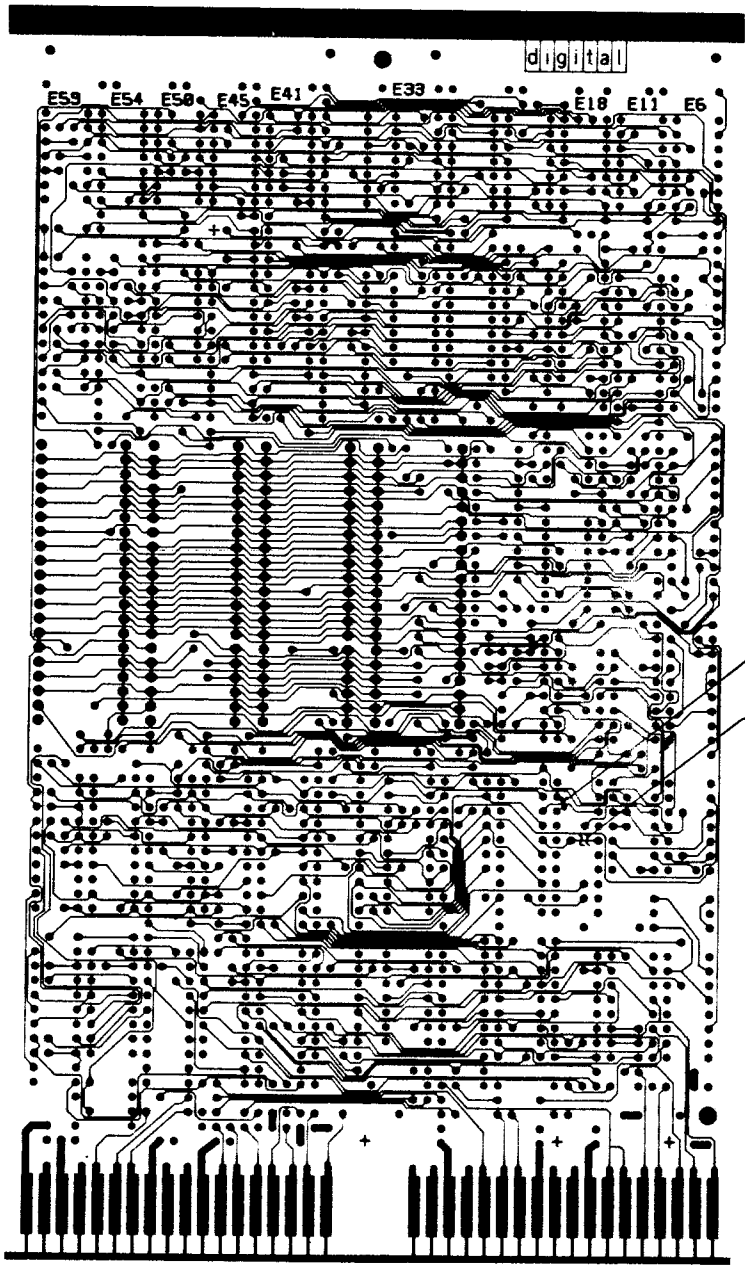
ETCH REV. C  
 P.C. DESIGN DATABASE REV. C/REV.394

SIGNATURES	DATE	digital
DRN. <i>Vincent...</i>	5-22-79	
CHK. D. <i>[Signature]</i>	6-11-79	TITLE KDF 11 CPU
MECH. ENG. <i>[Signature]</i>	7-15-79	
PROJ. ENG. <i>[Signature]</i>	7-15-79	
PROD. <i>[Signature]</i>	7-15-79	
SCALE 2/1	SIZE CODE	NUMBER
SHT. 1 OF 5	d UA M8186-0-0	REV
NEXT HIGHER REV. B-DD-M8186-0-0		

THIS DRAWING AND SPECIFICATION HEREIN ARE THE PROPERTY OF DIGITAL EQUIPMENT CORPORATION AND SHALL NOT BE REPRODUCED, COPIED, USED IN WHOLE OR IN PART AS THE BASIS FOR THE MANUFACTURE OR SALE OF ITEMS WITHOUT THE WRITTEN PERMISSION OF DIGITAL EQUIPMENT CORPORATION.  
 © 1979

DJA M8186-0-0 2

5013326C M8186



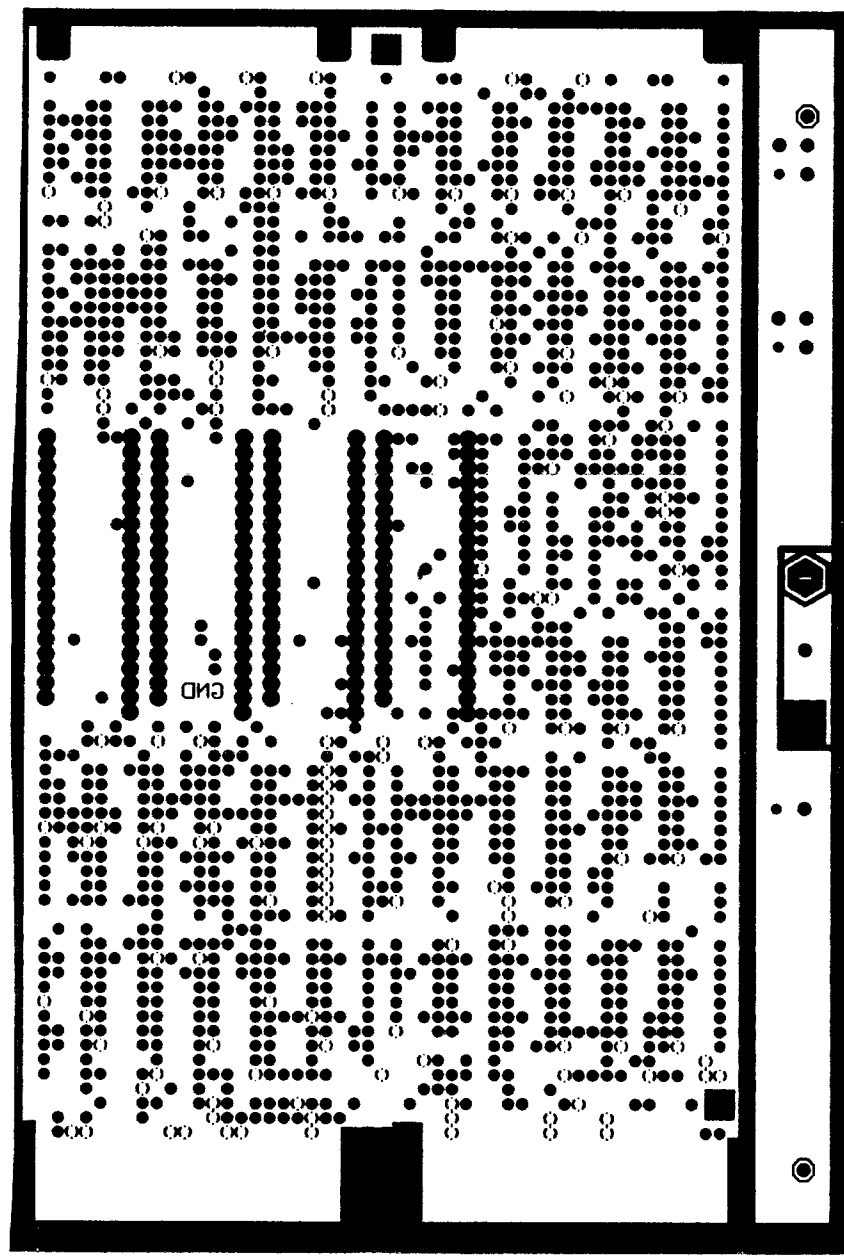
REVISIONS		
CHK	CHANGE NO	REV

TITLE	KDF11 CPU	SIZE CODE	DJA	NUMBER	M8186-0-0	REV	F
SCALE	2/1	SHEET	2	OF	5	DIST	

THIS DRAWING AND SPECIFICATIONS HEREIN ARE THE PROPERTY OF DIGITAL EQUIPMENT CORPORATION AND SHALL NOT BE REPRODUCED, COPIED, USED IN WHOLE OR IN PART AS THE BASIS FOR THE MANUFACTURE OF SALE OF ITEMS IN ANY MANNER WITHOUT THE WRITTEN PERMISSION OF DIGITAL EQUIPMENT CORPORATION.

L2

5013326C M8186



D  
C  
B  
A

D  
C  
B  
A

DJA M8186-0-0 F

REVISIONS		
CHK	CHANGE NO.	REV.

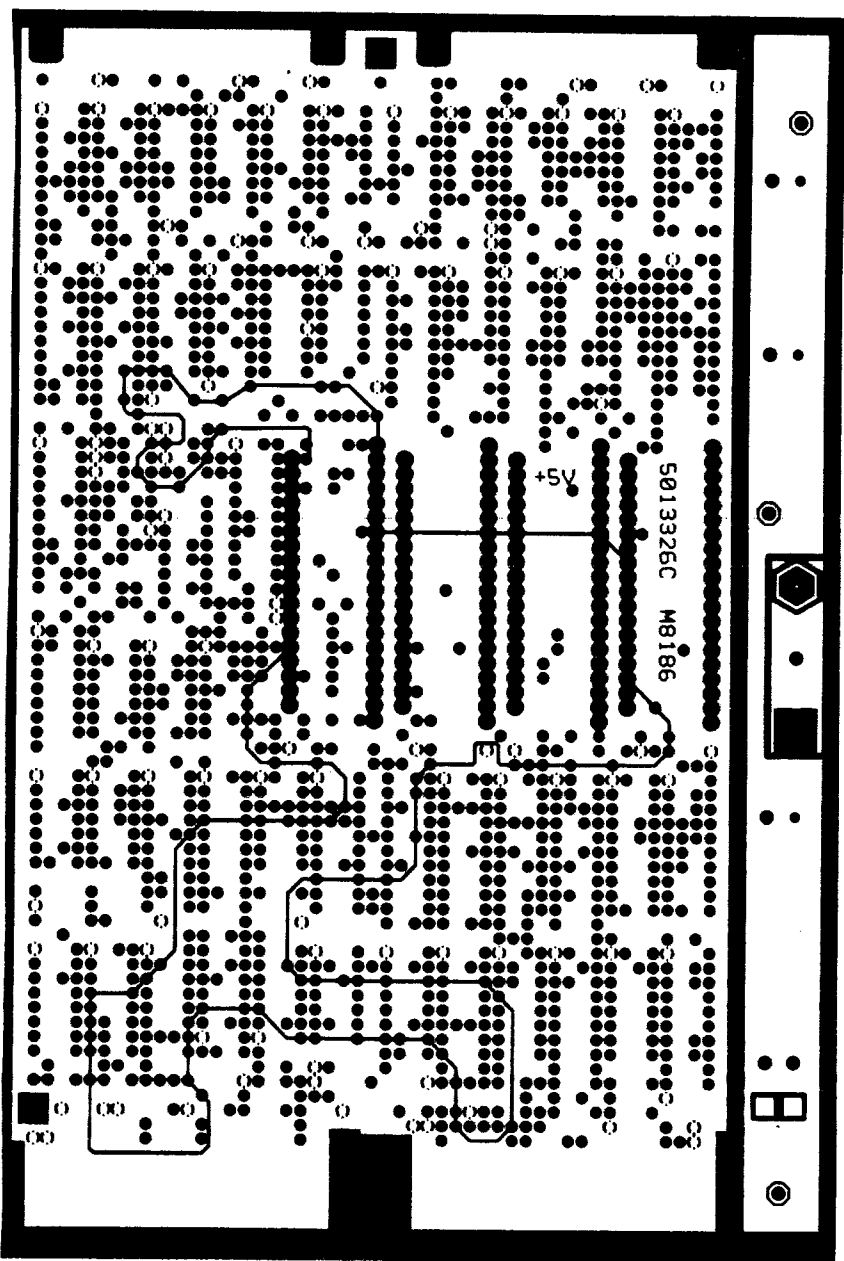
8 7 6 5 4 3 2 1

8 7 6 5 4 3 2 1

THIS DRAWING AND SPECIFICATIONS HEREIN ARE THE PROPERTY OF DIGITAL EQUIPMENT CORPORATION AND SHALL NOT BE REPRODUCED OR COPIED OR USED IN WHOLE OR IN PART AS THE BASIS FOR THE MANUFACTURE OR SALE OF ITEMS UNLESS THE WRITTEN PERMISSION IS OBTAINED FROM DIGITAL EQUIPMENT CORPORATION.

DJAM8186-0-0 F 2

E 834AJ



D  
C  
B  
A

D  
C  
B  
A

DJAM8186-0-0 F

REVISIONS		
CHK	CHANGE NO	REV

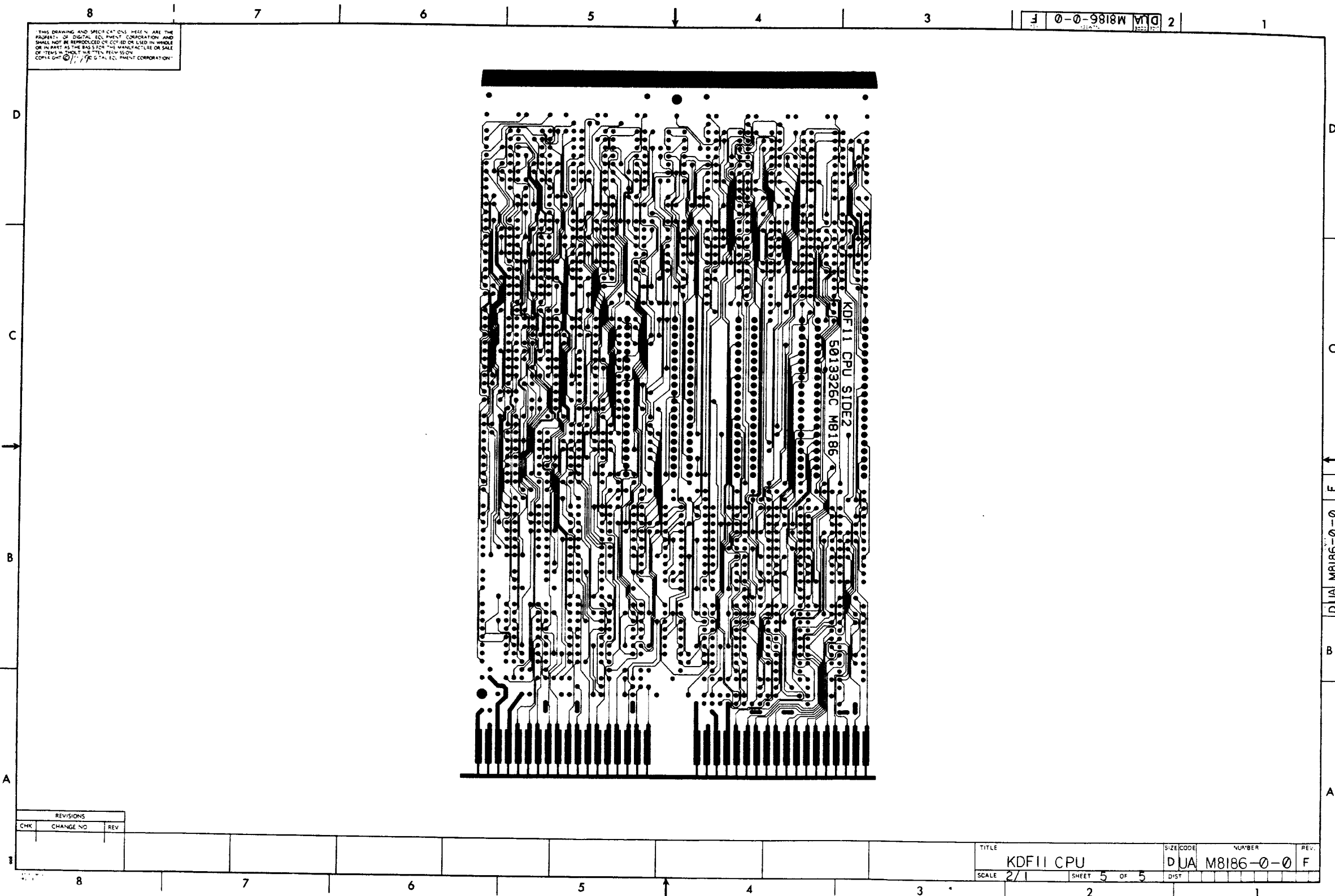
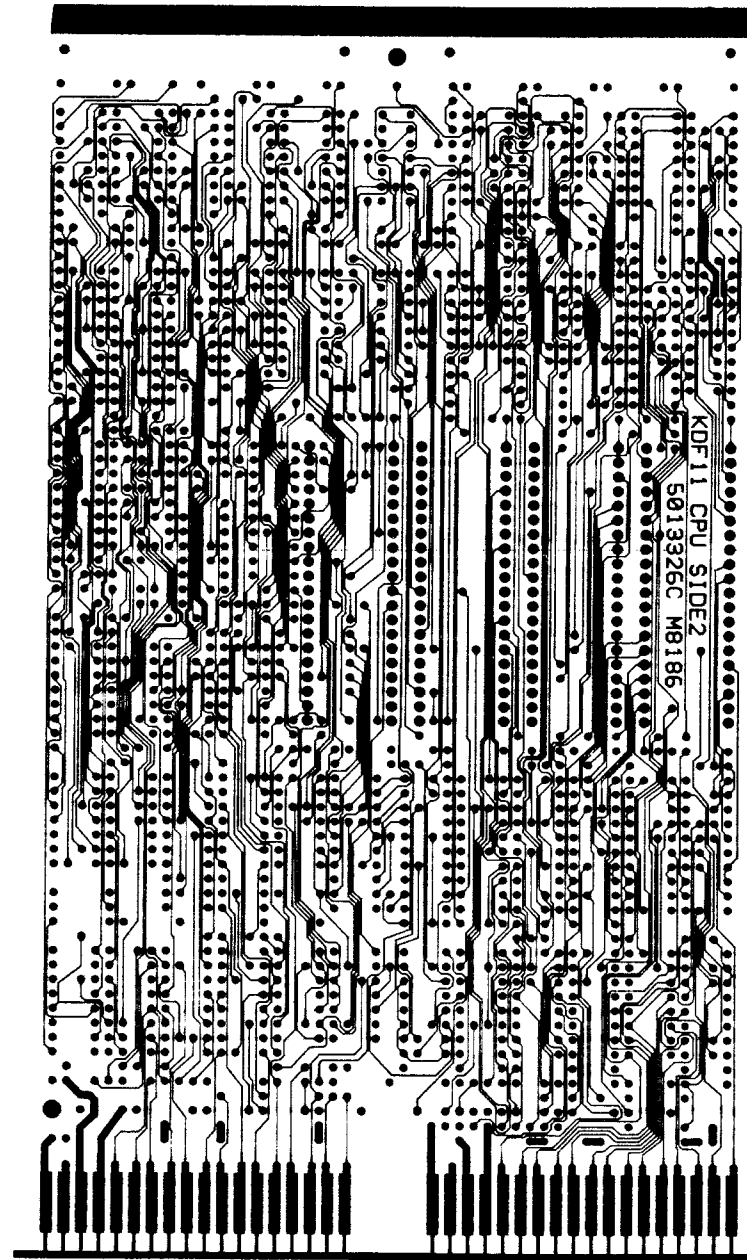
TITLE KDF11 CPU  
 SCALE 2/1 SHEET 4 OF 5  
 SIZE CODE DIST  
 NUMBER DJAM8186-0-0  
 REV F

8 7 6 5 4 3 2 1



DJA M8186-0-0 F 2

THIS DRAWING AND SPECIFICATIONS HEREIN ARE THE PROPERTY OF DIGITAL EQUIPMENT CORPORATION AND SHALL NOT BE REPRODUCED OR COPIED OR USED IN WHOLE OR IN PART AS THE BASIS FOR THE MANUFACTURE OR SALE OF ITEMS WITHOUT THE WRITTEN PERMISSION OF DIGITAL EQUIPMENT CORPORATION.

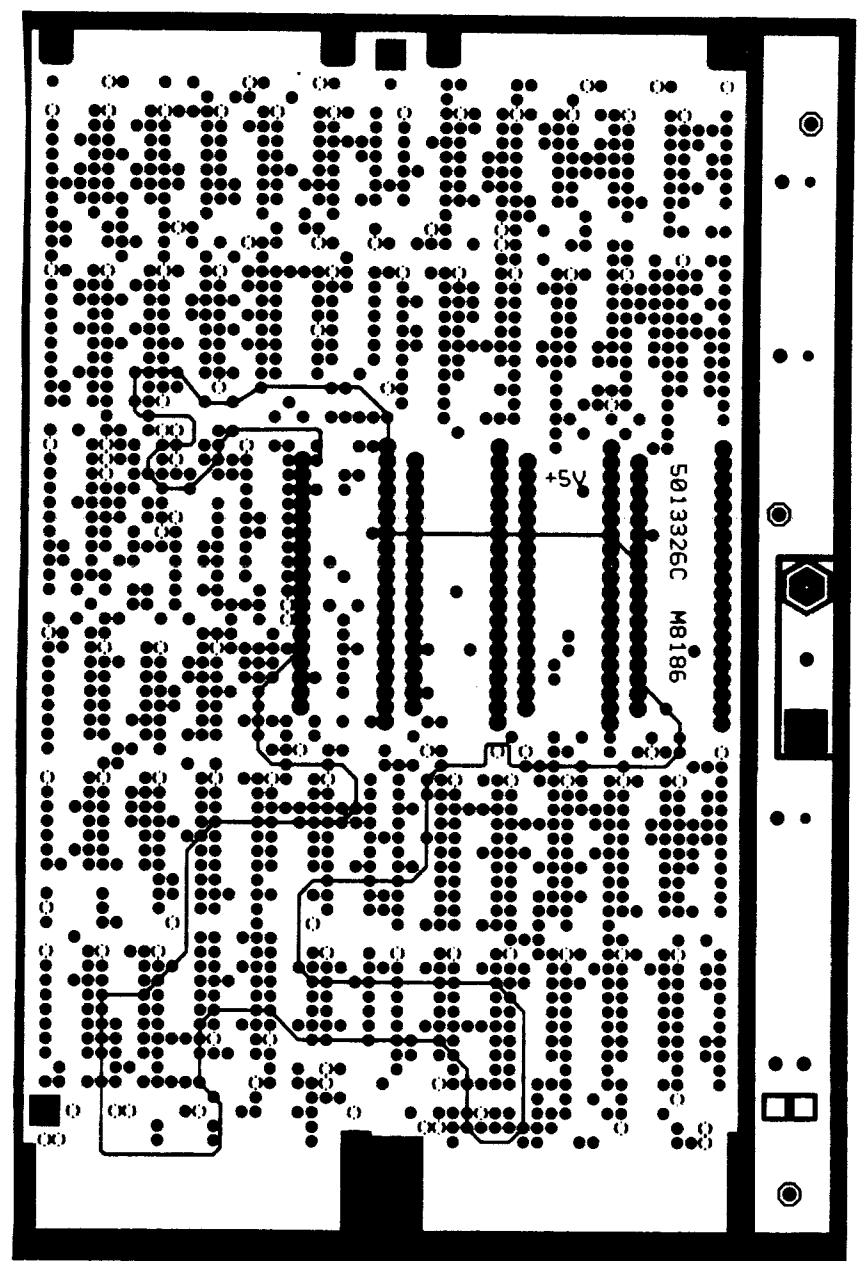


REVISIONS		
CHK	CHANGE NO.	REV.

TITLE	KDF11 CPU	SIZE/CODE	DJA M8186-0-0	NUMBER	F	REV.	
SCALE	2/1	SHEET	5	OF	5	DIST	

THIS DRAWING AND SPECIFICATIONS HEREIN ARE THE PROPERTY OF DIGITAL EQUIPMENT CORPORATION AND SHALL NOT BE REPRODUCED OR USED IN WHOLE OR IN PART AS THE BASIS FOR THE MANUFACTURE OR SALE OF ITEMS WITHOUT THE WRITTEN PERMISSION OF DIGITAL EQUIPMENT CORPORATION.

E 934AJ



DUA M8186-0-0 2

DUA M8186-0-0 F

REVISIONS		
CHK	CHANGE NO	REV

TITLE	KDF11 CPU	SIZE CODE	NUMBER	REV
SCALE	2/1	SHEET	4 OF 5	F
DUA M8186-0-0		DIST		

AUTOMATED BY PRTLST.3L(32)

PARTS LIST

SHEET A1 OF A2

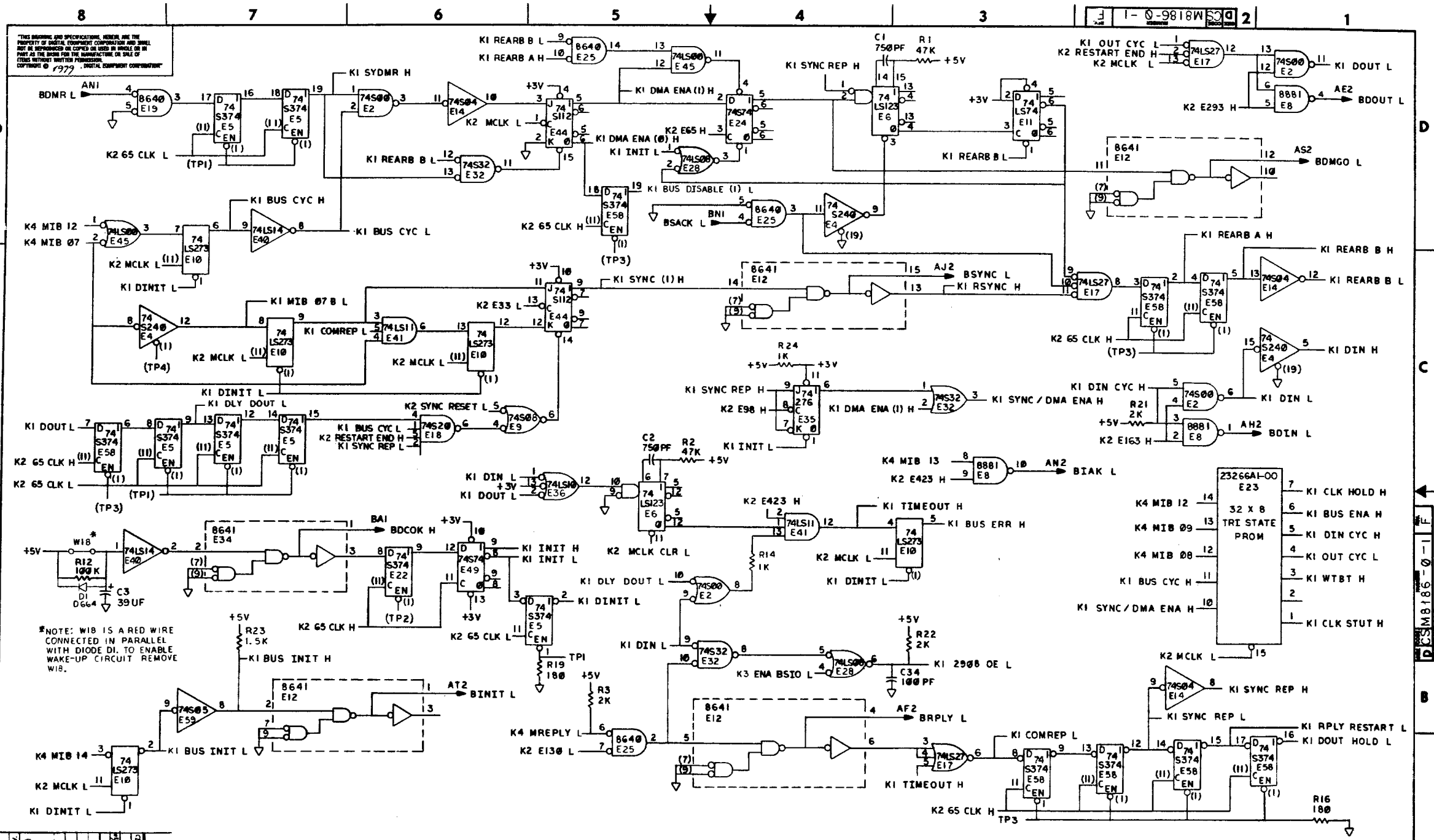
LINE	ITEM	DOCUMENT NUMBER	PART NUMBER	DESCRIPTION	QTY PER VARIATION 00	REFERENCE DESIGNATOR
1	1	II-MU-5013326-0-0	5013326-00	KDF11-CPU	1	
2	2		1912799-00	LS00 NAND-GATE-QUAD 2IN,P	1	E45
3	3		1910532-00	74S00 NAND GATE-QUAD 2IN	1	E2
4	4		1912388-00	74S02 NOR GATE-QUAD 2IN,PO	1	E33
5	5		1910534-00	74S04 INVERTER GATE-HEX 1I	1	E14
6	6		1910535-00	74S05 INVERTER GATE-HEX 1	1	E59
7	7		1912805-00	LS08 AND GATE-QUAD 2IN,PO	1	E28
8	8		1912389-00	74S08 AND GATE-QUAD 2IN,PO	1	E9
9	9		1912807-00	LS10 NAND GATE-TRIPLE 3IN	1	E36
10	10		1912808-00	LS11 AND GATE-TRIPLE 3IN	1	E41
11	11		1913414-00	LS14 INVERTER GATE-HEX SC	1	E40
12	12		1910539-00	74S20 NAND GATE-DUAL 4IN,PU	1	E18
13	13		1912813-00	LS27 NOR GATE-TRIPLE 3IN	1	E17
14	14		1913340-00	74S32 OR GATE-QUAD 2IN	1	E32
15	15		1910542-00	74S64 A-D-I GATE 4-2-3-2	2	E21,E50
16	16		1912824-00	LS74 FF-D DUAL,EDGE TRIGG	2	E11,E29
17	17		1910544-00	74S74 FF-D DUAL,EDGE TRIGG	2	E24,E49
18	18		1912649-00	LS75 LATCH 4BIT,BISTABLE	1	E27
19	19		1910545-00	74S112 FF-JK DUAL,EDGE TRIG	1	E44
20	20		1912837-00	LS123 ONE SHOT-DUAL,RETRIG	1	E6
21	21		1912842-00	LS138 DECODER-THREE INPUT,	1	E54
22	22		1910550-00	74S174 FF-D HEX	1	E3
23	23		1910957-00	74S175 FF-D QUAD COMMON CLO	1	E1
24	24		1913777-00	LS240 DRIVER,LINE,OCTAL,T	2	E20,E30
25	25		1913462-00	74S240 OCTAL BUFFER,INVERTI	2	E4,E46
26	26		1913493-00	74S241 OCTAL BUFFER,TRI-STA	1	E13
27	27		1915193-00	LS244 DRIVER,LINE,OCTAL,T	1	E53
28	28		1912863-00	LS273 FF-D OCTAL W/CLEAR	1	E10
29	29		1915367-00	74276 FF-JK QUAD	1	E35
30	30		1913671-00	74S374 FF-D OCTAL TRISTATE	4	E5,E22,E38,E58

REVISION HISTORY		BASIC PART NO: M8186		DRN: VIN PARECHANIAN		DATE: 18-JUN-79		DIGITAL	
ENG	ECO NUMBER	REV	SECTION A OF A	CHK'D:	T. SHETRAWNSKI	DATE:	4-SEP-79	TITLE	PARTS LIST
	INITIAL	D	SECTION VARIATION INDEX	DES.ENG:	ROY BADEAU	DATE:	4-SEP-79		
RB	M8186-ML006	E	[A] 00	RESP.ENG.:	ROY BADEAU	DATE:	4-SEP-79	DOCUMENT NUMBER	
MT	M8186-ML007	F	[B]	MFG.ENG.:	AMALENDA SANYAL	DATE:	4-SEP-79	SIZE CODE NUMBER	REV
MT	M8186-ML008	H	[C]	ASSEMBLY NUMBER:		TOP DOCUMENT NUMBER:		FILE NAME:	EDIT #
MT	M8186-ML009	J	[D]	D-UA-M8186-0-0				Z0224J.PLS	21
			[E]						
			[F]						
			[G]						
			[H]						
			[I]						
			[J]						
			[K]						
			[L]						
			[M]						
			[N]						

"THIS DRAWING AND SPECIFICATIONS HEREIN, ARE THE PROPERTY OF DIGITAL EQUIPMENT CORPORATION AND SHALL NOT BE REPRODUCED OR COPIED OR USED IN WHOLE OR IN PART AS THE BASIS FOR THE MANUFACTURE OR SALE OF ITEMS WITHOUT WRITTEN PERMISSION. COPYRIGHT (C) 1980, DIGITAL EQUIPMENT CORPORATION"

LINE	ITEM	DOCUMENT NUMBER	PART NUMBER	DESCRIPTION	QTY PER VARIATION	REFERENCE DESIGNATOR
					00	
31	31		1911469-00	DEC 8640 RECEIVER,BUS,QUAD,U	2	E19,E25
32	32		1911579-00	8641 TRANSCEIVER,BUS,QUA	2	E12,E34
33	33		1909705-00	DEC 8881 NAND GATE-QUAD 2IN U	1	E8
34	34		1916028-01	9643 DRIVER,TTL TO MOS,D	1	E16
35	35		1915305-00	AM 2908 TRANSCEIVER,BUS,LATCH	6	E37,E43,E47,E52,E55,E56
36	36		1812131-00	OSCILLATOR, XTAL 13.824 MHZ	1	E15
37	37		23266A1-00	A1-07	1	E23
38	38		1311003-02	R NETWORK 14-330 14-680 16PIN	3	E7,E42,E51
39	39		1300005-02	R NETWORK 13-6.8K 5.0 % 14PIN	1	E26
40	40		1301317-00	10.0 .25 W 5.0 % CC	1	R20
41	41		1300250-00	150.0 .25 W 5.0 % CC	1	R29
42	42		1301322-00	180.0 .25 W 5.0 % CC	4	R15,R16,R18,R19
43	43		1301972-00	270.0 .25 W 5.0 % CC	1	R17
44	44		1303178-00	620.0 .25 W 5.0 % CC	1	R6
45	45		1301424-00	680.0 .25 W 5.0 % CC	6	R4,R5,R25-R28
46	46		1300365-00	1.0 K .25 W 5.0 % CC	4	R14,R24,R30,R31
47	47		1300391-00	1.50 K .25 W 5.0 % CC	2	R10,R23
48	48		1302388-00	2.0 K .25 W 5.0 % CC	4	R3,R13,R21,R22
49	49		1300417-00	2.20 K .25 W 5.0 % CC	1	R7
50	50		1312930-00	5.10 K .25 W 5.0 % CC	1	R11
51	51		1302177-00	47.0 K .25 W 5.0 % CC	2	R1,R2
52	52		1302466-00	100.0 K .25 W 5.0 % CC	1	R12
53	53		1000016-00	100.0 MMF 100V 5%200FFM DM15S	1	C34
54	54		1013398-00	750.0 MMF 100V 5%200FFMD15S	2	C1,C2
55	55		1001610-00	.01 MFD 50V +80-20% Z5UCER	4	C18,C19,C20,C21
56	56		1012784-00	.047 MFD 50V +80-20% CER	18	C4-C17,C30-C33
57	57		1010274-00	.22 MFD 50V -20+80 Z5U CER	5	C22-C26
58	58		1005306-00	6.8MFD 35V 10% S.TANT	1	C29
59	59		1004812-00	15 MFD 20V 10% S.TANT	2	C27,C28
60	60		1000076-00	39 MFD 10V 10% 150D S.TA	1	C3
61	61		1216116-00	SOCKET 40PIN	4	XE31,XE39,XE48,XE57
62	62		1215899-00	CLIP,JUMPER GOLD/TIN	15	W1,W4-W17
63	63		1215901-00	CONN 36POS STRAIGHT	1	
64	64		1503100-00	DEC3009B NPN 200MW SI 20 25	1	Q1
65	65		2115542-01	*** THIS ITEM IS NOT USED ***	-	
66	66		5700000-01	DAT/CTL HYBRID ASSY W/FP,DCF11-A	1	E31
67	67		9008337-06	HANDLE, FLIP CHIP, MAGENTA	2	
68	68		9006732-00	EYELET, ROLLED FLANGE, .121 OD X	4	
69	69		9009185-00	JUMPER, WIRE, INSULATED, BLACK B	1	W3
70	70		1301808-00	22.0 K .25 W 5.0 % CC	1	R8
71	71		1300496-00	15.0 K .25 W 5.0 % CC	1	R9
72	72		1100114-00	D 664 QS\75PCB PIV= 25V SP	1	D1
73	73		9105740-22	WIRE(WRAP)30AUG UL1423	A/R	W18
74	74		9010213-01	SPACER, DUAL IN-LINE	1	

! D ! I ! G ! I ! T ! A ! L !	! TITLE	! SECTION A OF A	! SIZE ! CODE !	! DOCUMENT NUMBER	! REV !
! ! ! ! ! ! ! !	! KDF11 CPU	! ! ! ! ! ! ! !	! K ! PL !	! MB186-0-DBP	! J !



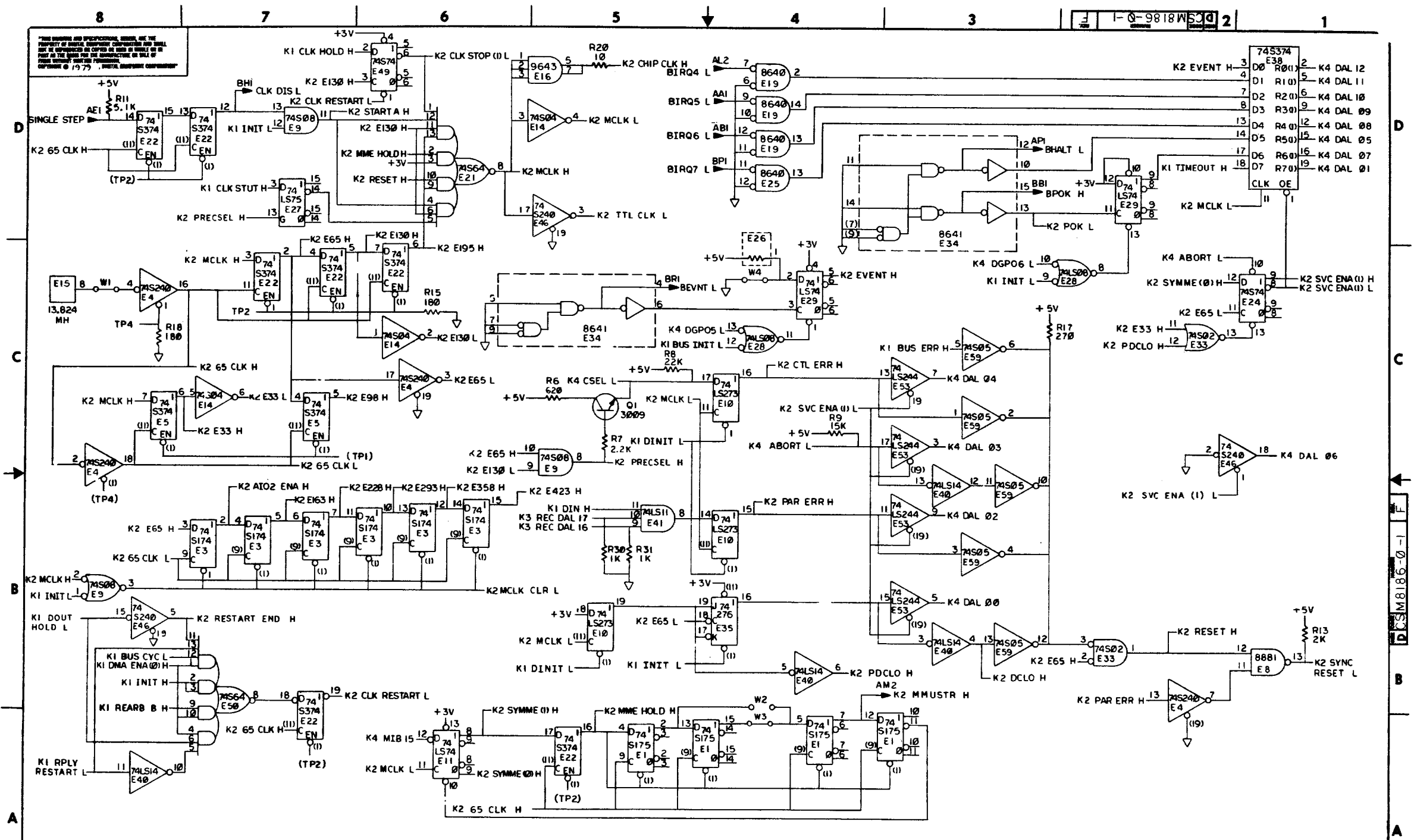
THIS DRAWING AND SPECIFICATIONS, HEREIN, ARE THE PROPERTY OF DIGITAL EQUIPMENT CORPORATION AND SHALL NOT BE REPRODUCED OR COPIED OR USED IN WHOLE OR IN PART AS THE BASIS FOR THE MANUFACTURE OR SALE OF ITEMS WITHOUT WRITTEN PERMISSION.  
COPYRIGHT © 1977, DIGITAL EQUIPMENT CORPORATION

\*NOTE: W18 IS A RED WIRE CONNECTED IN PARALLEL WITH DIODE D1 TO ENABLE WAKE-UP CIRCUIT REMOVE W18.

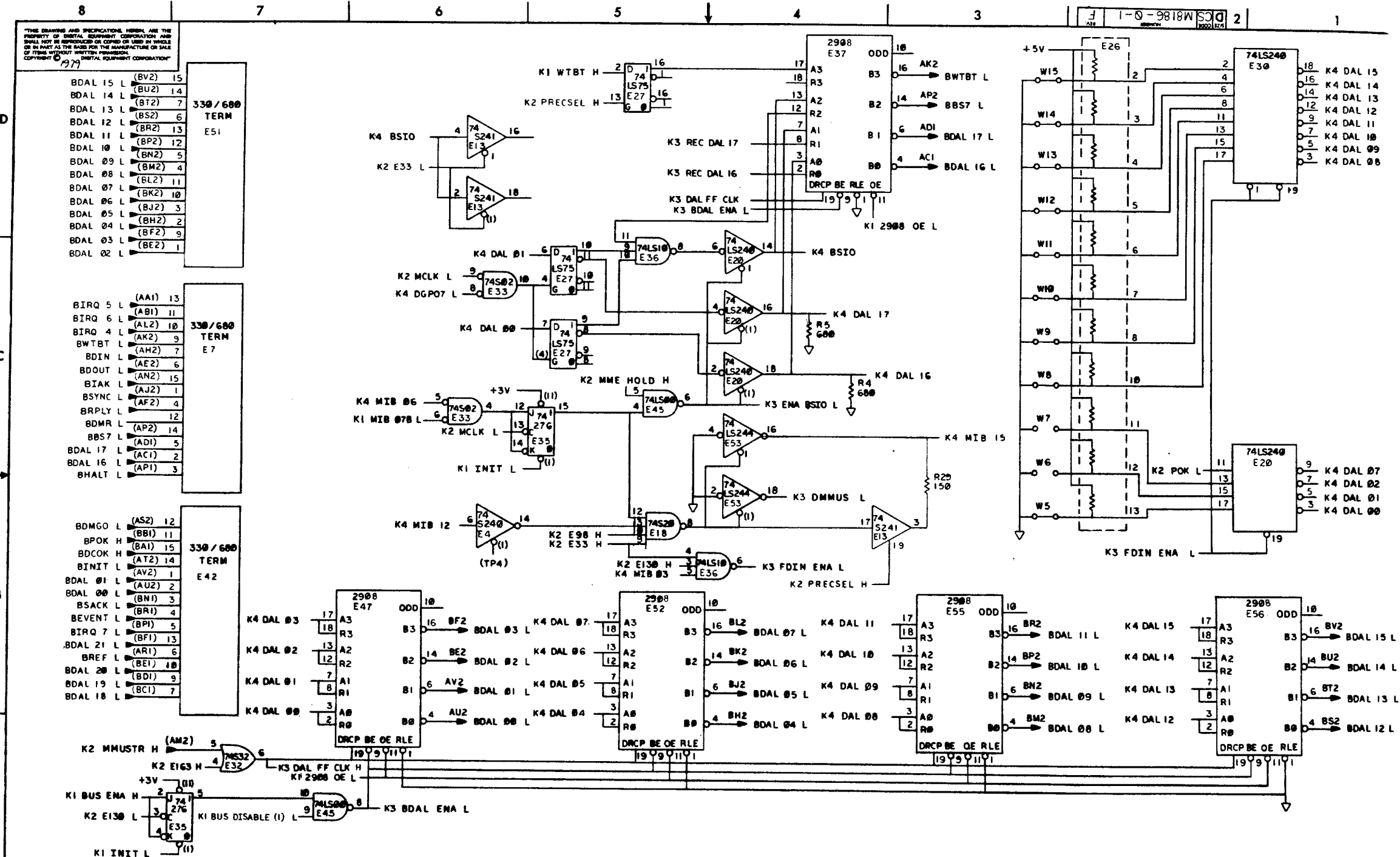
REV.	CHANGE NO.	DATE	BY	CHK'D
1	1	11/15/77	W. TEHRANIAN	
2	1	11/15/77	W. TEHRANIAN	
3	1	11/15/77	W. TEHRANIAN	
4	1	11/15/77	W. TEHRANIAN	
5	1	11/15/77	W. TEHRANIAN	
6	1	11/15/77	W. TEHRANIAN	
7	1	11/15/77	W. TEHRANIAN	
8	1	11/15/77	W. TEHRANIAN	

CHK'D	W. TEHRANIAN	DATE	11/15/77	FIRST USED ON	KDFII-A
ENG.	W. TEHRANIAN	DATE	11/15/77	TITLE	KDFII-A CPU
PROJ.	W. TEHRANIAN	DATE	11/15/77	NUMBER	(K1)
PROD.	W. TEHRANIAN	DATE	11/15/77	REV.	
NEXT HIGHER ASSY.	B-DD-M8186-0	SIZE	D	CS	M8186-0-1
SHEET	1	OF	4	DIST.	

"THIS DRAWING AND SPECIFICATIONS, HEREIN, ARE THE PROPERTY OF DCS CORPORATION AND SHALL NOT BE REPRODUCED OR COPIED OR USED IN WHOLE OR IN PART ON THE BASIS OF THE INFORMATION ON FILE OF THIS DRAWING WITHOUT PERMISSION OF DCS CORPORATION © 1979."



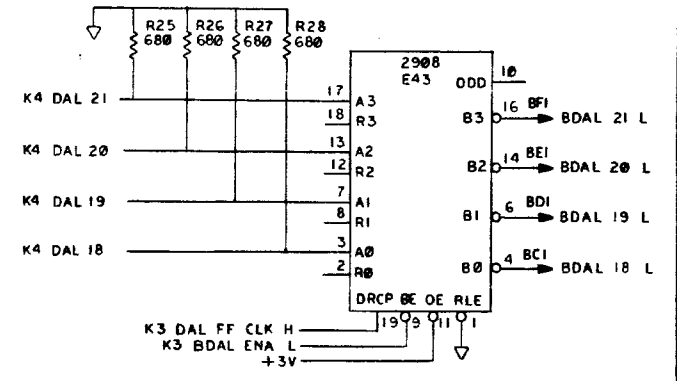
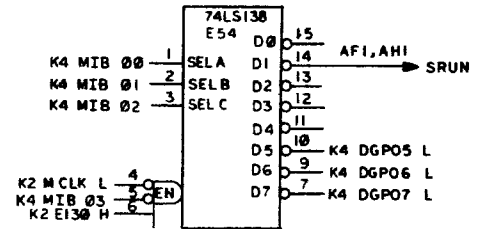
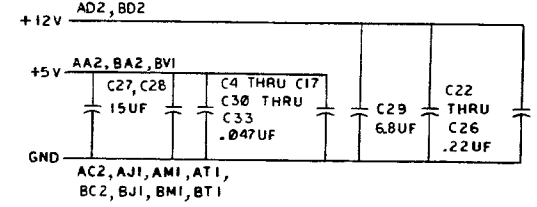
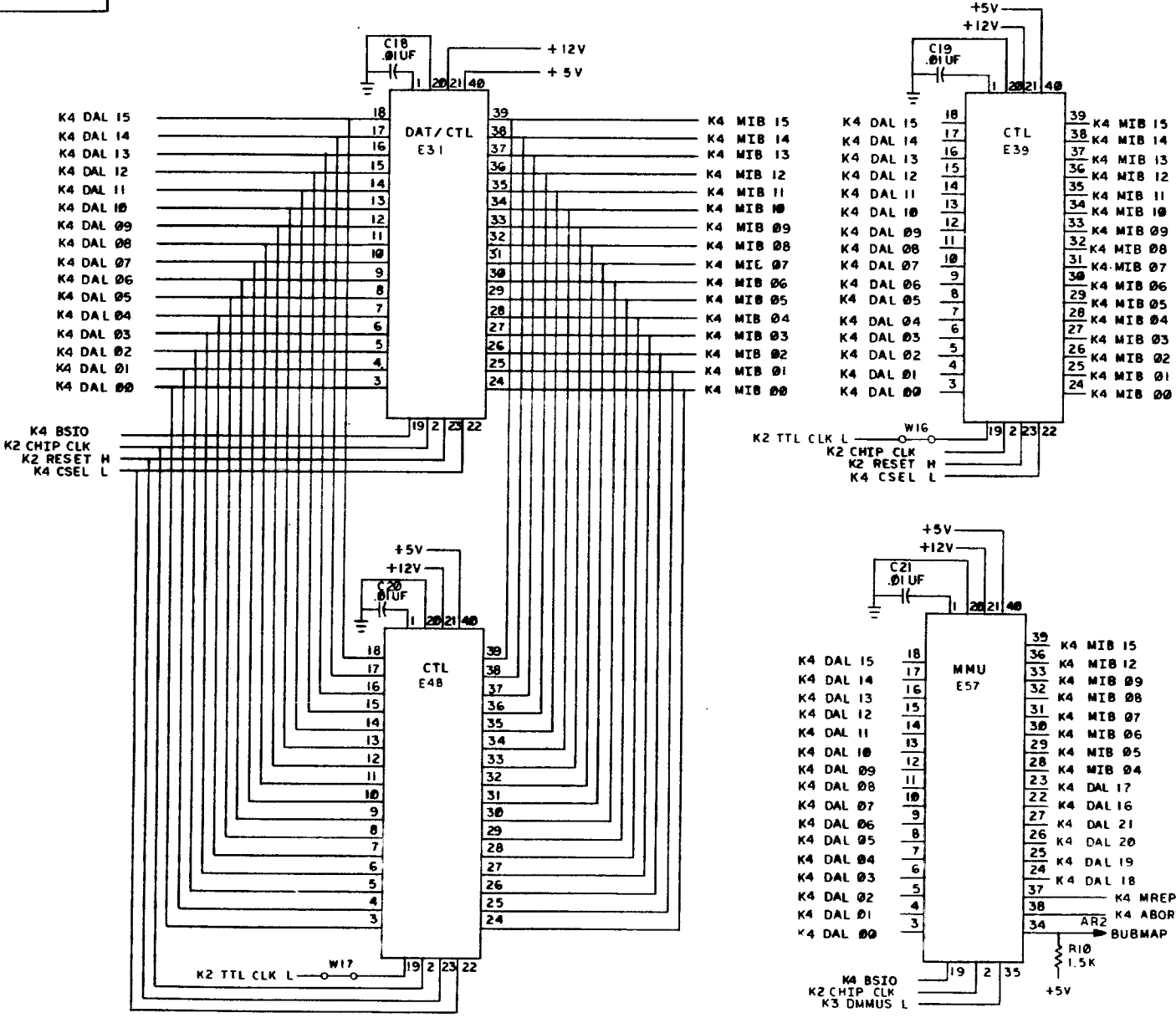
REVISIONS		
CHR	CHANGE NO.	REV.



REVISIONS			TITLE		SIZE/NUMBER		REV.	
CHK	CHANGE NO.	REV.	KDFII - A CPU		(K3)	DCS M8186-0-1	F	
			SCALE	SHEET 3 OF 4	DIST.			

THIS DRAWING AND SPECIFICATIONS HEREIN ARE THE PROPERTY OF DIGITAL EQUIPMENT CORPORATION AND SHALL NOT BE REPRODUCED OR COPIED OR USED IN WHOLE OR IN PART AS THE BASIS FOR THE MANUFACTURE OR SALE OF ITEMS WITHOUT WRITTEN PERMISSION. COPYRIGHT © DIGITAL EQUIPMENT CORPORATION 1979

1-0-9818 WSCD 2



REVISIONS		
CHR	CHANGE NO	REV

DCS M8186-0-1 F