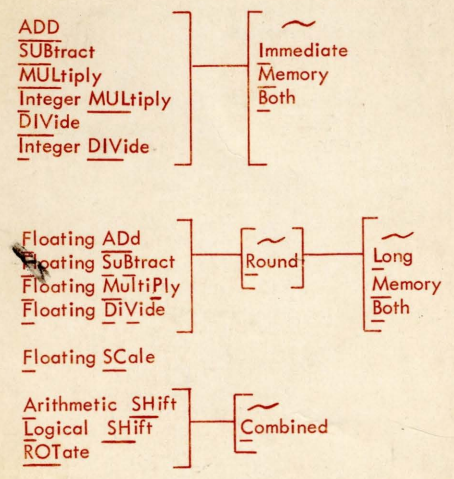
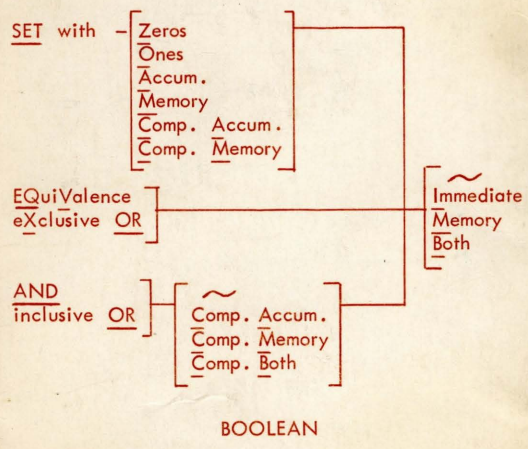
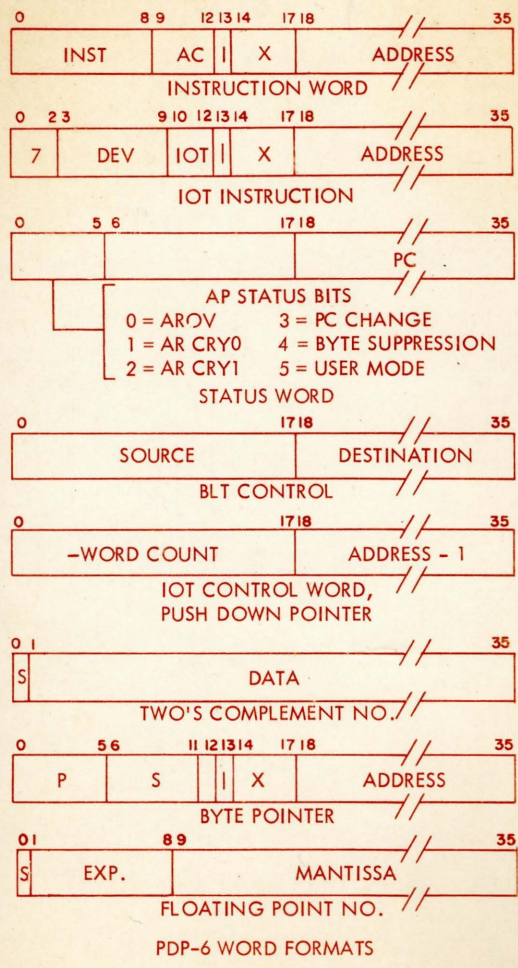


Alan W. Peterson

PDP-6

INSTRUCTION LIST

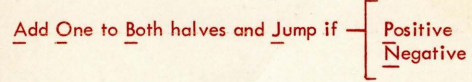
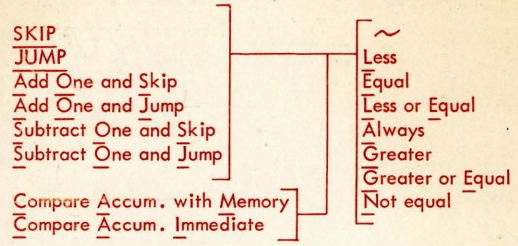


digital EQUIPMENT CORPORATION
MAYNARD, MASSACHUSETTS

5440

PRINTED IN U.S.A.

10-7/65



TEST AND MODIFY

eXeCuTe instruction from memory

Jump to SubRoutine in memory, save program counter/status in memory.

Jump, Save Program counter/status in accum.

Jump, Save Accum. in memory, save program counter/status in accum.

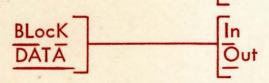
Jump, Reset Accum. from memory.

Jump on Flags, Clear flags.

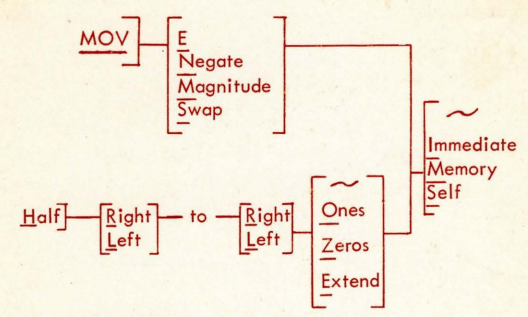
- Bit 9: AR OV flag
- Bit 10: AR CRY0 flag
- Bit 11: AR CRY1 flag
- Bit 12: PC Change flag

Jump and ReSeT flags

- Bit 9: Dismiss PI
- Bit 10: Halt
- Bit 11: Restore flags
- Bit 12: Enter user mode



JUMPS, PUSHDOWN, AND IO



EXCHange accum. - memory

BLock Transfer



Increment Byte Pointer

DATA TRANSMISSION