

This drawing and specifications herein are the property of Digital Equipment Corporation and shall not be reproduced or copied or used in whole or in part as the basis for the manufacture or sale of items without written permission.

# MASTER DRAWING LIST

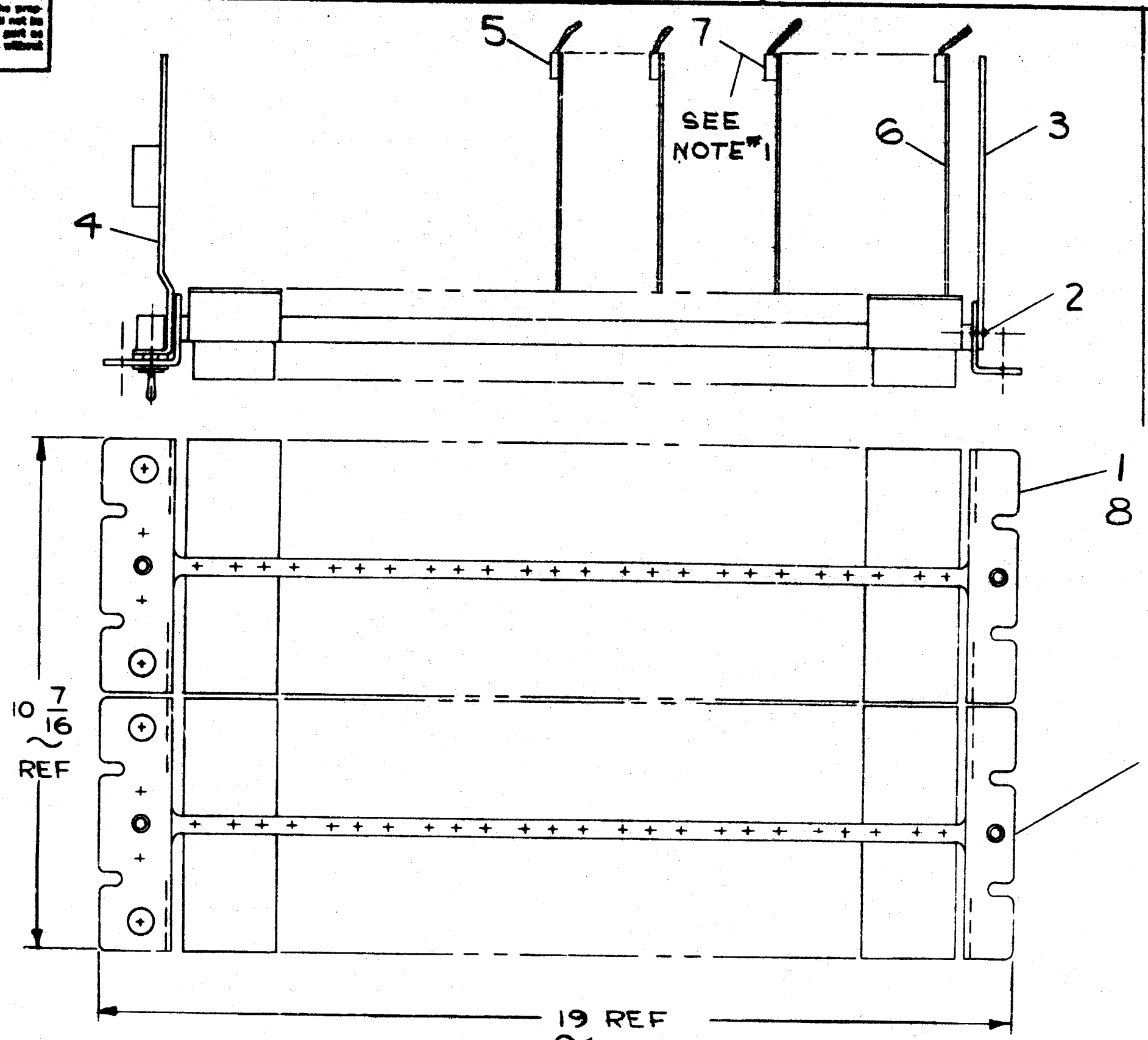
DWG. NO.	REV. LET.	NO. OF SHEETS	TITLE
C-UA-MM8I-A-0	D	1	MEMORY MODULE ASSY MM8I (4K)
A-PL-MM8I-A-0	D	1	MEMORY MODULE ASSY MM8I (P.L.) (4K)
D-BS-MM8I-A-1	M	1	MEMORY CONTROL
D-BS-MM8I-A-2	E	1	SENSE AMPS & INHIBIT DRIVERS
D-BS-MM8I-A-3	B	1	X AXIS SELECTION FIELD $\phi$
D-BS-MM8I-A-4	D	1	Y AXIS SELECTION FIELD $\phi$
D-MU-MM8I-0-1	F	1	MODULE UTILIZATION
A-PL-MM8I-0-1	F	1	MODULE UTILIZATION
K-WL-MM8I-A-5	K		WIRE LIST MM8I
C-DI-MM8I-A-6	D	1	DRAWING INDEX LIST MM8I-A (4K)
D-AD-7005670-0-0	B	1	WIRED ASSY
A-PL-7005670-0-0	B	1	WIRED ASSY PARTS LIST
A-WL-MM8I-A-7		2	GENERAL WIRING SHEET
A-WL-MM8I-A-8		1	CURRENT LOOPS

REVISIONS				DRN	DATE 11/11/67	digital	EQUIPMENT CORPORATION		
REV.	DATE	CHG. NO.	APP'D.	BEINIER	DATE 11-28-67		MEMORY MODULE 4K 12 BIT		
A	2/68	8	R.M.	CHK'D	DATE				
B	4/68	11	G.G.	ENG.	DATE	A ML			
C	6/68	12	J.C.	PROJ. ENG.	DATE			MAR MM8I 1970	
D	6/68	00001	B.V.	PROJ.	DATE	T			
E	7/68	00002	B.V.	FIRST USED ON	DATE			DIST.	
F	8/68	00003	G.G.	MM8I-A-0	DATE	1 OF 1			
G	10/68	00004	B.V.	SCALE	DATE			1 OF 1	
H	10/68	00005	J.O.	SHEET	DATE	1 OF 1			
I	11/68	00006	J.O.	1	DATE			1 OF 1	
J	12/68	00007	M.A.	1	DATE	1 OF 1			
K	1/69	00008	M.A.	1	DATE			1 OF 1	
L	2/69	00009	M.A.	1	DATE	1 OF 1			
M	2/69	00010	M.A.	1	DATE			1 OF 1	
N	4/69	00011	M.A.	1	DATE	1 OF 1			
P	4/69	00012	M.A.	1	DATE			1 OF 1	
R	4/28/69	00013	M.A.	1	DATE	1 OF 1			
S	5/30/69	00014	M.A.	1	DATE			1 OF 1	
T	5/27/69	00015	M.A.	1	DATE	1 OF 1			



This drawing and specifications, herein, are the property of Sigmat Equipment Corporation and shall not be reproduced or copied or used in whole or in part as the basis for the manufacture or sale of items without written permission.

**NOTES:**  
 1. ITEM #7 OPTIONAL. WHEN USED IT CONNECTS TWO MMBI'S TOGETHER.  
 2. FOR DWG. INDEX LIST REFER TO DWG. NO. C-DI-MMBI-A-G.



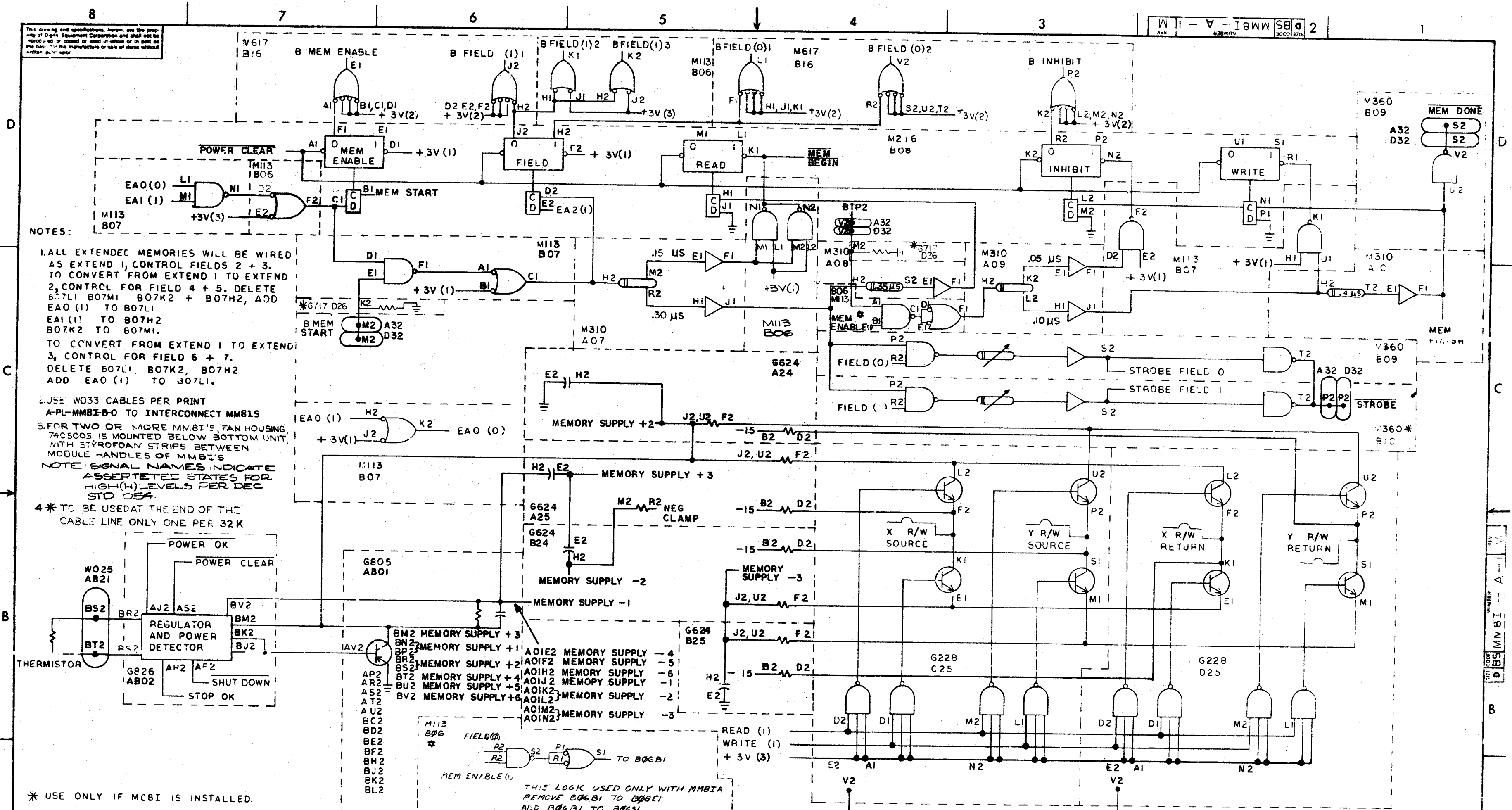
REV.	CHANGE NO.	DATE	BY	DESCRIPTION
A	3322	2/8/68	W. McCoy	CHD ASSY
B		5.11.68		
C		2.2.68		
D		2.2.68		

O'LOUGHLIN  
 MMBI-00010  
 ARSENAL  
 1/14/69

FIRST USED ON	OPTION/MODEL	QTY.	DESCRIPTION	PART NO.	ITEM NO.
MMBI					
UNLESS OTHERWISE SPECIFIED					
DIMENSION IN INCHES					
TOLERANCES					
DECIMALS	FRACTIONS	ANGLES			
± .005	± 1/64	± 0°30'			
FINAL SURFACE QUALITY REMOVE BURRS AND BREAK SHARP CORNERS					
MATERIAL					
FINISH					
DRN. <i>A. Kinsoulis</i>		DATE 12-8-67		EQUIPMENT CORPORATION	
CHK'D. <i>D. Nally</i>		DATE 12-18-67		MAYNARD MASSACHUSETTS	
ENG. <i>G. Gordon</i>		DATE 1-2-68		TITLE	
PRJ. <i>B. Johnson</i>		DATE 1-16-68		MEMORY	
APP. <i>B. Johnson</i>		DATE 1-17-68		MODULE ASSY	
FIRST USED ON		SCALE NONE		NUMBER	
		SHEET 1 OF 1		C UA MMBI-A-0	
		DIST. G		REV. D	

SIZE CODE C UA MMBI-A-0  
 REV. D

This drawing and specifications herein are the property of Decca Equipment Corporation and shall not be reproduced or copied in whole or in part for any purpose without the written consent of Decca Equipment Corporation.



- NOTES:
1. ALL EXTENDED MEMORIES WILL BE WIRED AS EXTEND 1, CONTROL FIELDS 2 + 3. TO CONVERT FROM EXTEND 1 TO EXTEND 2, CONTROL FOR FIELD 4 + 5. DELETE B07L1 B07M1 B07K2 + B07H2, ADD EAO (1) TO B07L1 EAI (1) TO B07H2 B07K2 TO B07M1.
  2. TO CONVERT FROM EXTEND 1 TO EXTEND 3, CONTROL FOR FIELD 6 + 7. DELETE B07L1 B07K2, B07H2 ADD EAO (1) TO B07L1.
  2. USE W033 CABLES PER PRINT A-PL-MMBI-B-0 TO INTERCONNECT MMBIS
  3. FOR TWO OR MORE MMBI'S, FAN HOUSING 74C5005 IS MOUNTED BELOW BOTTOM UNIT WITH STYROFOAM STRIPS BETWEEN MODULE HANDLES OF MMBI'S  
NOTE: SIGNAL NAMES INDICATE ASSERTED STATES FOR HIGH (H) LEVELS PER DEC STD 054.
  4. \* TO BE USED AT THE END OF THE CABLE LINE ONLY ONE PER 32K

\* USE ONLY IF MCBI IS INSTALLED.

THIS LOGIC USED ONLY WITH MMBIA REMOVE B06B1 TO B06E1 AND B06B1 TO B06S1

REV	DATE	BY	CHKD	DESCRIPTION
A	11-22-67	J.F. O'LOUGHLIN		REVISED FOR MMBIA
B	11-22-67	J.F. O'LOUGHLIN		REVISED FOR MMBIA
C	11-22-67	J.F. O'LOUGHLIN		REVISED FOR MMBIA
D	11-22-67	J.F. O'LOUGHLIN		REVISED FOR MMBIA
E	11-22-67	J.F. O'LOUGHLIN		REVISED FOR MMBIA
F	11-22-67	J.F. O'LOUGHLIN		REVISED FOR MMBIA
G	11-22-67	J.F. O'LOUGHLIN		REVISED FOR MMBIA
H	11-22-67	J.F. O'LOUGHLIN		REVISED FOR MMBIA
I	11-22-67	J.F. O'LOUGHLIN		REVISED FOR MMBIA
J	11-22-67	J.F. O'LOUGHLIN		REVISED FOR MMBIA
K	11-22-67	J.F. O'LOUGHLIN		REVISED FOR MMBIA
L	11-22-67	J.F. O'LOUGHLIN		REVISED FOR MMBIA
M	11-22-67	J.F. O'LOUGHLIN		REVISED FOR MMBIA
N	11-22-67	J.F. O'LOUGHLIN		REVISED FOR MMBIA
O	11-22-67	J.F. O'LOUGHLIN		REVISED FOR MMBIA
P	11-22-67	J.F. O'LOUGHLIN		REVISED FOR MMBIA
Q	11-22-67	J.F. O'LOUGHLIN		REVISED FOR MMBIA
R	11-22-67	J.F. O'LOUGHLIN		REVISED FOR MMBIA
S	11-22-67	J.F. O'LOUGHLIN		REVISED FOR MMBIA
T	11-22-67	J.F. O'LOUGHLIN		REVISED FOR MMBIA
U	11-22-67	J.F. O'LOUGHLIN		REVISED FOR MMBIA
V	11-22-67	J.F. O'LOUGHLIN		REVISED FOR MMBIA
W	11-22-67	J.F. O'LOUGHLIN		REVISED FOR MMBIA
X	11-22-67	J.F. O'LOUGHLIN		REVISED FOR MMBIA
Y	11-22-67	J.F. O'LOUGHLIN		REVISED FOR MMBIA
Z	11-22-67	J.F. O'LOUGHLIN		REVISED FOR MMBIA

QTY	DESCRIPTION	PART NO	TEM NO.

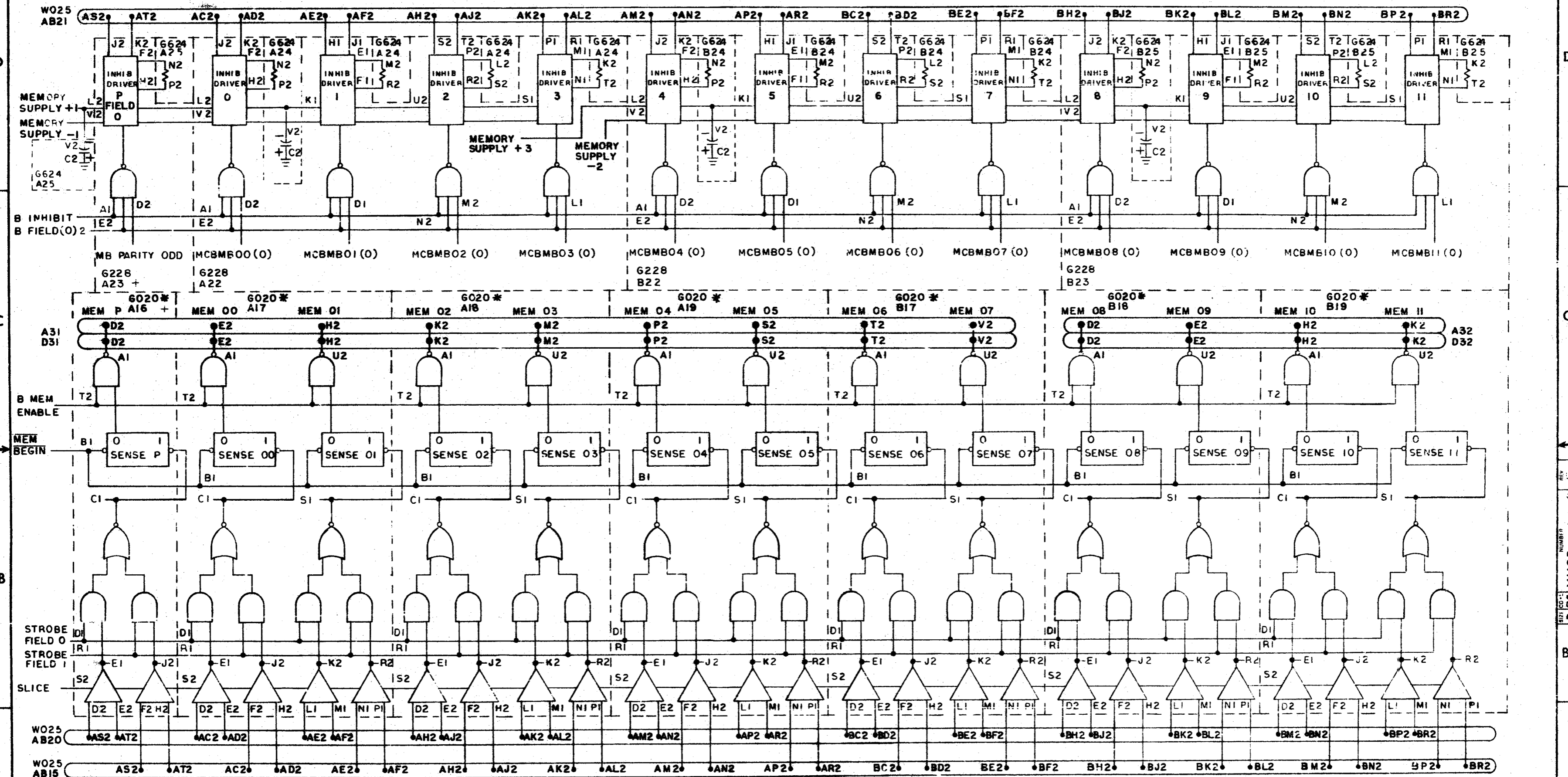
  

UNLESS OTHERWISE SPECIFIED		DATE	11-22-67
DIMENSION IN INCHES		DATE	11-22-67
TOLERANCES		DATE	11-22-67
DECIMALS	FRACTIONS	ANGLES	
± .005	± 1/64	± 0°30'	
FINAL SURFACE QUALITY		DATE	11-22-67
REMOVE BURRS AND BREAK SHARP CORNERS		DATE	11-22-67
MATERIAL		FIRST USED ON	
FINISH		C-UA-MMBI-0-0	
SCALE		SIZE CODE	NUMBER
SHEET		D B S	MMBI - A - 1
OF		DIST.	

# MEMORY CONTROL

DECCA EQUIPMENT CORPORATION  
MAYNARD, MASSACHUSETTS

The drawing and specifications herein are the property of Digital Equipment Corporation and shall not be reproduced or copied in whole or in part on the basis for the manufacture or sale of items without written permission.



USED WITH MP81  
 \* USE 6021 ONLY IF MC81 IS INSTALLED. (LOGIC SHOWN IS 6021)

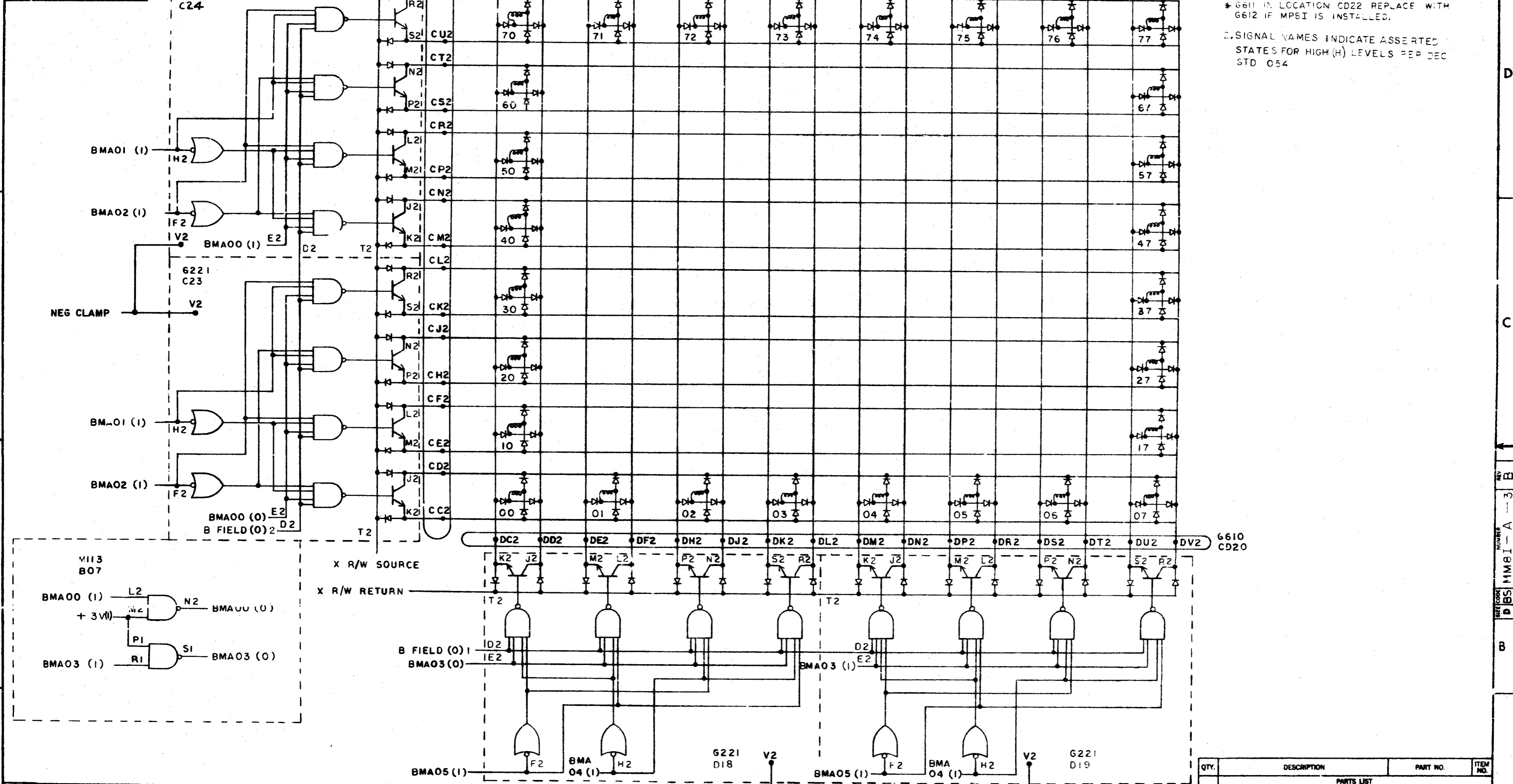
REV.	DATE	BY	CHKD	APP'D
1	1/25/67	...	...	...
2	4/22/67	...	...	...
3	1/25/67	...	...	...
4	1/25/67	...	...	...

NOTE:  
 SIGNAL NAMES INDICATE ASSERTED STATES FOR HIGH LEVELS PER DEC STD 054

UNLESS OTHERWISE SPECIFIED DIMENSIONS IN INCHES TOLERANCES DECIMALS FRACTIONS ANGLES ±.005 ±.004 ±0°30'	DATE 1/25/67 DATE 4/22/67 DATE 1/25/67 DATE 1/25/67	EQUIPMENT CORPORATION MAYNARD, MASSACHUSETTS
MATERIAL	FINISH	SCALE
TITLE SENSE AMPS & INHIBIT DRIVERS		REV. E
PART NUMBER DBS MM81-A-2		SHEET 1 OF 1

This drawing and specifications, herein, are the property of Digital Equipment Corporation and shall not be reproduced or copied or used in whole or in part as the basis for the manufacture or sale of items without written permission.

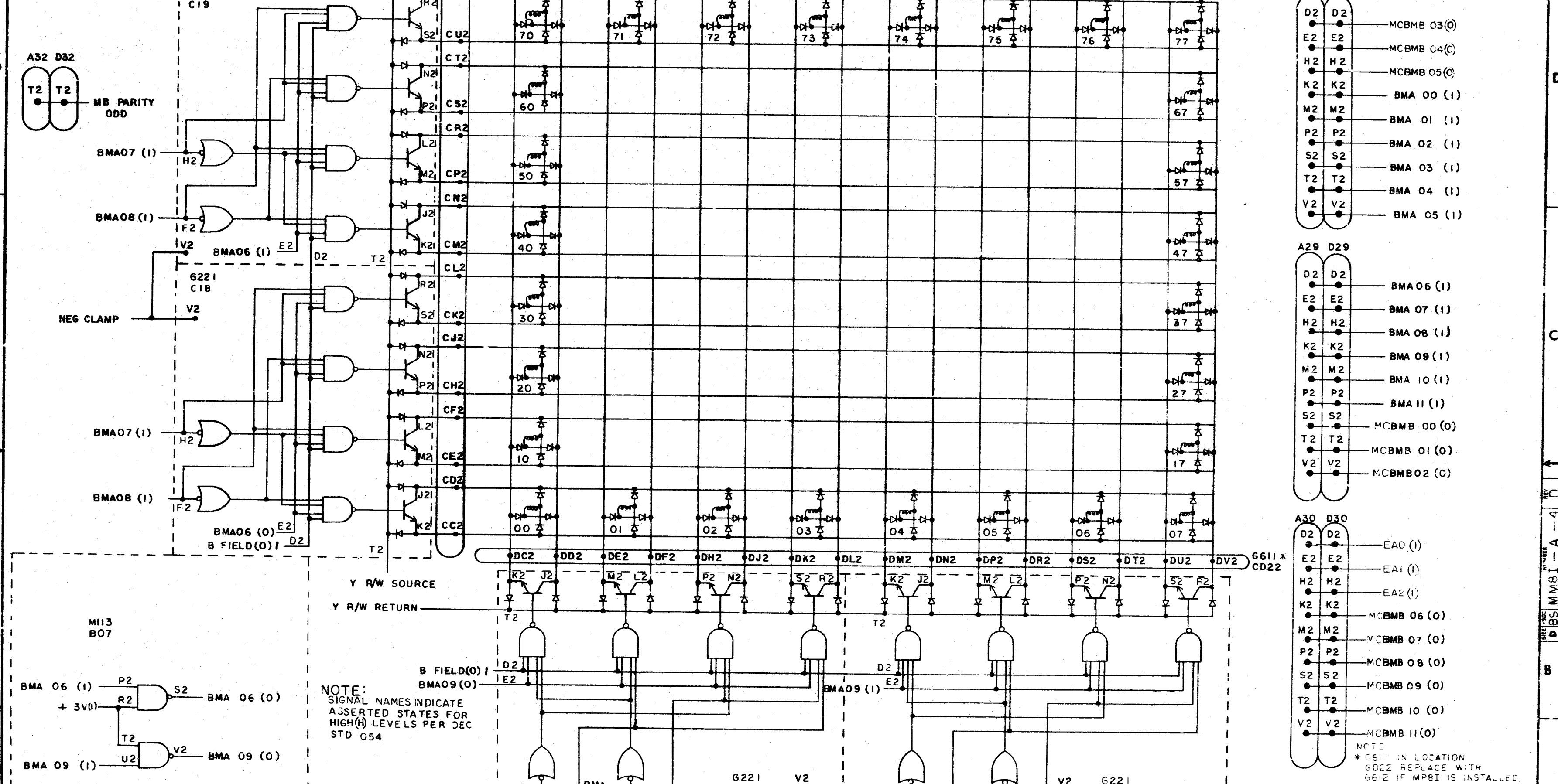
NOTE  
 \* 6611 IN LOCATION CD22 REPLACE WITH 6612 IF MP81 IS INSTALLED.  
 C. SIGNAL NAMES INDICATE ASSERTED STATES FOR HIGH (H) LEVELS PER DEC STD 054



REV.	CHG.	NO.	DATE	BY
A		0002	11-22-67	O'LOUGHLIN
B		0004	11-23-67	O'LOUGHLIN
C		0005	11-23-67	O'LOUGHLIN

UNLESS OTHERWISE SPECIFIED DIMENSION IN INCHES TOLERANCES DECIMALS FRACTIONS ANGLES ± .005 ± 1/64 ± 0°30' FINISH REMOVE BURRS AND BREAK SHARP EDGES	DATE: 11-22-67 DATE: 11-22-67 DATE: 11-23-67 DATE: 11-23-67 DATE: 11-23-67	DATE: 11-22-67 DATE: 11-22-67 DATE: 11-23-67 DATE: 11-23-67 DATE: 11-23-67	DATE: 11-22-67 DATE: 11-22-67 DATE: 11-23-67 DATE: 11-23-67 DATE: 11-23-67
EQUIPMENT CORPORATION MAYNARD, MASSACHUSETTS		TITLE <b>X AXIS SELECTION FIELD 0</b>	
MATERIAL		FIRST USED ON C-UA-MM81-0-0	
FINISH		SCALE SHEET 1 OF 1	
QTY.		PARTS LIST	
DESCRIPTION		PART NO.	
ITEM NO.		REV.	
DIBS MM81-A-3-B		NUMBER 11-23-67	

This drawing and specifications herein are the property of Digital Equipment Corporation and shall not be reprinted, copied, or used in whole or in part in any manner without the written permission of Digital Equipment Corporation.



- A28 D28
- D2 D2 — MCBMB 03 (0)
  - E2 E2 — MCBMB 04 (0)
  - H2 H2 — MCBMB 05 (0)
  - K2 K2 — BMA 00 (1)
  - M2 M2 — BMA 01 (1)
  - P2 P2 — BMA 02 (1)
  - S2 S2 — BMA 03 (1)
  - T2 T2 — BMA 04 (1)
  - V2 V2 — BMA 05 (1)

- A29 D29
- D2 D2 — BMA 06 (1)
  - E2 E2 — BMA 07 (1)
  - H2 H2 — BMA 08 (1)
  - K2 K2 — BMA 09 (1)
  - M2 M2 — BMA 10 (1)
  - P2 P2 — BMA 11 (1)
  - S2 S2 — MCBMB 00 (0)
  - T2 T2 — MCBMB 01 (0)
  - V2 V2 — MCBMB 02 (0)

- A30 D30
- D2 D2 — EAO (1)
  - E2 E2 — EAI (1)
  - H2 H2 — EA2 (1)
  - K2 K2 — MCBMB 06 (0)
  - M2 M2 — MCBMB 07 (0)
  - P2 P2 — MCBMB 08 (0)
  - S2 S2 — MCBMB 09 (0)
  - T2 T2 — MCBMB 10 (0)
  - V2 V2 — MCBMB 11 (0)

NOTE:  
SIGNAL NAMES INDICATE  
ASSERTED STATES FOR  
HIGH(+) LEVELS PER DEC  
STD 054

NOTE  
\* 6611 IN LOCATION  
G022 REPLACE WITH  
6612 IF MPBI IS INSTALLED.

REV.	CHG.	NO.	DATE	BY	CHKD.
1					
2					
3					
4					
5					
6					
7					
8					

UNLESS OTHERWISE SPECIFIED		DATE	11-25-67
DIMENSION IN INCHES		DATE	11-25-67
TOLERANCES		DATE	11-25-67
DECIMALS FRACTIONS ANGLES		DATE	11-25-67
± .005 ± .004 ± 0°00'		DATE	11-25-67
FINAL SURFACE QUALITY		DATE	11-25-67
REMOVE BURRS AND BREAK SHARP CORNERS		DATE	11-25-67
MATERIAL		FIRST USED ON	
FINISH		C-UA-MMBI-C-0	
SCALE		DIST.	
SHEET		OF	

EQUIPMENT CORPORATION  
MAYNARD, MASSACHUSETTS

Y AXIS SELECTION  
FIELD 0

DBS MM8I - A - 4 D

# DIGITAL EQUIPMENT CORPORATION

MAYNARD, MASSACHUSETTS

QUANTITY

REVISIONS

## PARTS LIST

ITEM NO.	DWG. NO.	DESCRIPTION	MMBI-A	MMBI-B	MMBI-C	MMBI-D												CHANGE NO.	DATE	ENG.
																		A-8	2-27-68	
		G805 NEGATIVE REGULATOR	1	1	1	1												B-11	4-2-68	BV
		G826	1	1	1	1												C-MM81A-00004	1/4/68	FJL
		M310	4	4	4	4												D-00006	12/19/68	FJL
		G624 RESISTOR BOARD	3	7	3	7														
		G228 INHIBIT DRIVER	5	8	6	9														
		G221 MEMORY SELECTOR	8	16	8	16														
		G020 SENSE AMP.	6	<del>X</del>	7	<del>X</del>														
		G021	<del>X</del>	6	<del>X</del>	7														
		M113 NAND GATE	1	1	1	1														
		M216 GENERAL PURPOSE FLIP-FLOP	1	1	1	1														
		M360 VARIABLE DELAY	2	2	2	2														
		M617 POWER NAND GATES	1	1	1	1														
		G717 RESISTOR TERMINATOR	1	1	1	1														

MADE BY BEINIER	DATE 11/11/67	TITLE	DRWG. NO. A-PL-MM81-0-1	REV. LTR.
CHECKED REILLY	DATE 11/21/67	MODULE UTILIZATION	ASSY NO D-MU-MM81-0-1	F
ENG <i>Lu Morgan</i>	DATE 11-29-67	FOR MM81-A = 4K 12 BIT MM81-B = 8K 12 BIT MM81-C = 4K 13 BIT MM81-D = 8K 13 BIT	SHEET 1 OF 1	



This drawing and specifications, herein, are the property of Digital Equipment Corporation and shall not be reproduced or copied or used in whole or in part as the basis for the manufacture or sale of items without written permission.

	1	2	3	4	5	6	7	8	9	10	11	12	13	14	15	16	17	18	19	20	21	22	23	24	25	26	27	28	29	30	31	32	33	34	35	36	37	38	39	40	41	42	43	44						
USAGE	G805	G826				M318	M318	M318	M318	G624	G624	G229		W025	W025	G020	G020	G020	G020	W025	W025	G229	G228	G624	G624			W025	W025	W025	W025	W025																		
A	REG POWER TRANS & POWER DET					READ ON DELAY	READ OFF	INHIBIT ON	MEM FINISH			INHIBIT DRIVER 1		INHIBIT CONN	SENSE CONN							SENSE CONN	INHIBIT CONN	INHIBIT DRIVER 0	INHIBIT DRIVER 1	Y R/W RETURN MEM SUP 1	X R/W SOURCE MEM SUP 3		EXT MFM CONN	EXT MEM CONN	EXT MEM CONN	EXT MEM CONN																		
B						INHIBIT ON DELAY		MEM FINISH			MEM SUP 6	MEM SUP 4	INHIBIT DRIVER 0										INHIBIT DRIVER 1	INHIBIT DRIVER 2	MEM SUP 2	MEM SUP 2																								
C											INHIBIT 2 RES	INHIBIT 6 RES	INHIBIT DRIVER 3										INHIBIT DRIVER 3	INHIBIT DRIVER 2	INHIBIT PARITY FIELD 1	INHIBIT 2 RES	INHIBIT NEG CLAMP																							
D											INHIBIT 1 RES	INHIBIT 5 RES	INHIBIT DRIVER 2										INHIBIT DRIVER 2	INHIBIT DRIVER 0	MEM SUP 2	MEM SUP 2																								

	1	2	3	4	5	6	7	8	9	10	11	12	13	14	15	16	17	18	19	20	21	22	23	24	25	26	27	28	29	30	31	32	33	34	35	36	37	38	39	40	41	42	43	44									
USAGE						G221	G221	STOBE SEE NOTE			G221	G221	G221	G221	STOBE SEE NOTE								G221	G221	G228																												
C											Y MEMORY SELECT	Y MEMORY SELECT	Y R/W CONN			X R/W CONN	X MEMORY SELECT	X MEMORY SELECT	Y MEMORY SELECT	Y MEMORY SELECT	Y R/W CONN		X R/W CONN	X MEMORY SELECT	X MEMORY SELECT	R/W SOURCE SELECT																											
B																																																					
D											X MEMORY SELECT	X MEMORY SELECT	X R/W CONN			Y R/W CONN	Y MEMORY SELECT	Y MEMORY SELECT	X MEMORY SELECT	X MEMORY SELECT	X R/W CONN		Y R/W CONN	Y MEMORY SELECT	Y MEMORY SELECT	R/W RETURN SELECT		B MEM START	EXT MEM CONN	EXT MEM CONN	EXT MEM CONN	EXT MEM CONN																					

REVISIONS

CHANGE NO.	REV.	DATE	BY
1	A	10-3-67	...
2	B	11-28-67	...
3	C	11-28-67	...
4	D	11-28-67	...
5	E	11-28-67	...

DESIGNERS: O'LOUGHLIN, A. ARSENAULT, M. ARSENAULT, M. ARSENAULT

NOTE: 1) USE MEMORY STACK #3005256-1 FOR 12 BIT MM81-A & MM81-B

2) USE MEMORY STACK #3005256-2 FOR 13 BIT MM81-C & MM81-D

MM81A IS 4K  
MM81B IS 8K  
MM81C IS 4K WITH PARITY  
MM81D IS 8K WITH PARITY  
MM81E IS SECOND 4K (EXPANDER)  
MM81F IS SECOND 4K WITH PARITY (EXPANDER)

3. W021 MODULES ARE USED FROM 01 TO MM81  
W033 MODULES ARE USED FROM MM81 TO MM81

4. G717 IS TO BE USED AT THE END OF THE CABLES ONLY ONE PER 32K SYSTEM

MM81A = \* PLUS MM81A  
MM81C = Δ PLUS MM81A  
MM81D = Δ PLUS \* PLUS MM81A  
MM81E = \*  
MM81F = \* PLUS Δ  
MM81A USE G020 (+)  
MM81C USE G021 (+)

UNLESS OTHERWISE SPECIFIED

DIMENSION IN INCHES

TOLEANCES: DECIMALS = .005, FRACTIONS = 1/64, ANGLES = 0°30'

FINAL SURFACE QUALITY: REMOVE BURRS AND BREAK SHARP CORNERS

MATERIAL: ...

FINISH: ...

DATE: 10-3-67

PROJECT: ...

PROJ. ENG.: ...

DATE: 11-28-67

DATE: 11-28-67

DATE: 11-28-67

FIRST USED ON: C-UA-MM81-0-0

SCALE: ...

SHEET 1 OF 1

DIST. ...

digital EQUIPMENT CORPORATION

MODULE UTILIZATION

SIZE CODE: DMU MM81-0-1

NUMBER: ...

REV: ...


DRWG NO

K-WL-MM8I-A-5

REVLTR

K

REVISIONS				
REV LTR	ECO NO	DATE	ENG	
A	8	8-27-68	RV	
B	MM8IA-00004	1/4/68	RV	
C	MM8I-00005	11-20-68	RV	
D	00006	12/19/68	RV	
E	MM8I-00007	12/11/68	RV	
F	MM8I-00008	1/31/69	RV	
H	00011	11-29/69	RV	
J	00012	6-2-69	RV	
K	MM8IA-00013	8-14-69	RV	

DRAWN <i>Berner</i>	DATE 11/28/67	 <b>digital</b> EQUIPMENT CORPORATION MAYNARD, MASSACHUSETTS	TITLE WIRE LIST MM8I		
CHECKED <i>Dee Stebbins</i>	DATE 11-22-67		FOR TAPE # FILE #		
ENG <i>RH Morgan</i>	DATE 11-29-67		SIZE	CODE	DWG. NO.
PROJ ENG <i>RH Morgan</i>	DATE 11-29-67		ASSY NO C-UA-MM8I-0-0		REV LTR
PROD <i>RH Morgan</i>	DATE 11-29-67		K	WL	MM8I-A-5
SCALE		SHEET OF		DIST.	

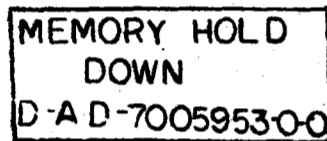
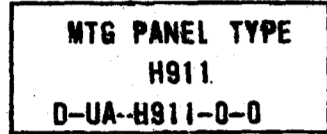
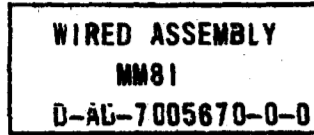
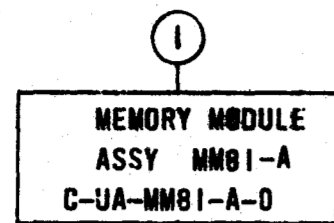
This drawing and specifications, herein, are the property of Digital Equipment Corporation and shall not be reproduced or copied or used in whole or in part as the basis for the manufacture or sale of items without written permission.

D

C

B

A



MECHANICAL			DEPT USAGE			ELECTRICAL			DEPT USAGE		
FIND NO.	DESCRIPTION	PART NO.	PROD	CUST	F/C	FIND NO.	DESCRIPTION	PART NO.	PROD	CUST	F/C
1	MEMORY MODULE ASSY MM8I-A (4K) MEMORY MODULE ASSY MM8I (P.L.) RIGHT END PANEL W021 TO W011 CABLE ASSY W033 TO W033 CABLE (OPTION) 1945 HOLD DOWN BAR	C-UA-MM8I-A-0 A-PL-MM8I-A-0 C-MD-5302486-0-0 C-IA-7405556-2-0 C-IA-7005770-1-0 D-MAD-1945-0-1				1	MEMORY MODULE 4K 12 BIT MODULE UTILIZATION MODULE UTILIZATION (P.L.) MEMORY CONTROL SENSE AMPS & INHIBIT DRIVERS X AXIS SELECTION FIELD Ø Y AXIS SELECTION FIELD Ø WIRE LIST MM8I WIRED ASS'Y WIRED ASS'Y (P.L.) GENERAL WIRING SHEET	A-MI-MM8I-A-0 D-MU-MM8I-0-1 A-PL-MM8I-0-1 D-BS-MM8I-A-1 D-BS-MM8I-A-2 D-BS-MM8I-A-3 D-BS-MM8I-A-4 K-WL-MM8I-A-5 D-AD-7005670-0-0 A-PL-7005670-0-0 A-WL-MM8I-A-7			
2	WIRED ASSEMBLY MM8I WIRED ASSEMBLY MM8I (P.L.) LOGIC DECALS (BLK)	D-AD-7005670-0-0 A-PL-7005670-0-0 A-DC-7406371-0-0									
3	MTG PANEL TYPE H911 MTG PANEL TYPE H911 (P.L.)	D-UA-H911-0-0 A-PL-H911-0-0									
4	1943 CASTING PLUS PINS 1943 CASTING PLUS PINS (P.L.) 1943 FRAME CASTING	D-AD-5302483-0-0 A-PL-5302483-0-0 E-MD-1202885-0-0									
5	LEFT END PANEL ASS'Y LEFT END PANEL H911 MTG PANEL LABEL	C-IA-5404480-0-0 C-MD-5302485-0-0 A-DC-5404487-0-0-A									
6	MEMORY HOLD DOWN ASSY (MM8I) MEMORY HOLD DOWN ASSY (MM8I) (P.L.) HOLD DOWN BAR (MM8I)	D-AD-7005953-0-0 A-PL-7005953-0-0 D-MD-7406813-0-0									

D

C

B

A

ASSY. NO. C-UA-MM8I-A-0

REV.	CHG	NO.	BY	DATE	DESCRIPTION
A	ECO # 3322				CHG CABLE IN FIND #1
B	ECO # 3371				CHG DWG # IN FIND # 1 F 5
C	ECO # 3414				CHG DWG IN FIND NO. 1
D	ECO # 3414				CHG DWG IN FIND NO. 1

UNLESS OTHERWISE SPECIFIED	DRN. <i>G. Lionakis</i>	DATE 12-12-67
UNLESS OTHERWISE SPECIFIED	CHK'D. <i>J. Hoagy</i>	DATE 1/2/68
TOLERANCES	ENG. <i>G. O'Connell</i>	DATE 1-2-68
DECIMALS ± .005	PROJ. ENG. <i>K. W. Mansour</i>	DATE 1-16-68
FRACTIONS ± 1/64	PROD. <i>R. W. Mansour</i>	DATE 1-17-68
ANGLES ± 0°30'	FIRST USED ON	
FINAL SURFACE QUALITY REMOVE BURRS AND BREAK SHARP CORNERS	C-UA-MM8I-A-0	
MATERIAL	SCALE	
FINISH	SHEET 1 OF 1	

QTY.	DESCRIPTION	PART NO.	ITEM NO.
PARTS LIST			
TITLE			
DRAWING INDEX LIST MM8I-A			
SIZE CODE	NUMBER	REV.	
C DI	MM8I-A-6	D	
DIST.			

REV. D  
NUMBER C DI MM8I-A-6

This drawing and specifications, herein, are the property of Digital Equipment Corporation and shall not be reproduced or copied or used in whole or in part as the basis for the manufacture or sale of items without written permission.

SIGNAL NAME	FROM PIN	TO PIN	COLOR	REMARKS
	A16D2	A20S2	RED	} TWP
	A16E2	A20T2	WHT	
	A16F2	A15S2	RED	} TWP
	A18H2	A15T2	WHT	
	A17D2	A20C2	RED	} TWP
	A17E2	A20D2	WHT	
	A17F2	A15C2	RED	} TWP
	A17H2	A15D2	WHT	
	A17L1	A20E2	RED	} TWP
	A17M1	A20F2	WHT	
	A17N1	A15E2	RED	} TWP
	A17P1	A15F2	WHT	
	A18D2	A20H2	RED	} TWP
	A18E2	A20J2	WHT	
	A18F2	A15H2	RED	} TWP
	A18H2	A15J2	WHT	
	A18L1	A20K2	RED	} TWP
	A18M1	A20L2	WHT	
	A18N1	A15K2	RED	} TWP
	A18P1	A15L2	WHT	
	A19D2	A20M2	RED	} TWP
	A19E2	A20N2	WHT	
	A19F2	A15M2	RED	} TWP
	A19H2	A15N2	WHT	
	A19L1	A20P2	RED	} TWP
	A19M1	A20R2	WHT	

REVISIONS				DRN.	DATE
REV.	DATE	CHG. NO.	APP'D.	<i>E. Froias</i>	10-20-68
ORIG.	11/68	00005	---	<i>A. Vartanov</i>	11-20-68
				<i>H. O'Loughlin</i>	11/22/68
				<i>J. O'Loughlin</i>	11/22/68
				<i>B. Vaillancourt</i>	11/22/68
				FIRST USED ON	

**digital** EQUIPMENT CORPORATION  
MAYNARD, MASSACHUSETTS

TITLE  
**GENERAL WIRING SHEET**  
FOR  
MM8I TWISTED PAIR

SIZE	CODE	NUMBER	REV.
A	WL	MM8I-A-7	

SCALE

SHEET 1 OF 2

DIST.

This drawing and specifications, herein, are the property of Digital Equipment Corporation and shall not be reproduced or copied or used in whole or in part as the basis for the manufacture or sale of items without written permission.

SIGNAL NAME	FROM PIN	TO PIN	COLOR	REMARKS
	A19N1	A15P2	RED	} TWP
	A19P1	A15R2	WHT	
	B17D2	B20C2	RED	} TWP
	B17E2	B20D2	WHT	
	B17F2	B15C2	RED	} TWP
	B17H2	B15D2	WHT	
	B17I1	B20E2	RED	} TWP
	B17M1	B20F2	WHT	
	B17N1	B15E2	RED	} TWP
	B17P1	B15F2	WHT	
	B18D2	B20H2	RED	} TWP
	B18E2	B20J2	WHT	
	B18F2	B15H2	RED	} TWP
	B18H2	B15J2	WHT	
	B18L1	B20K2	RED	} TWP
	B18M1	B20L2	WHT	
	B18N1	B15K2	RED	} TWP
	B18P1	B15L2	WHT	
	B19D2	B20M2	RED	} TWP
	B19E2	B20N2	WHT	
	B19F2	B15M2	RED	} TWP
	B19H2	B15N2	WHT	
	B19L1	B20P2	RED	} TWP
	B19M1	B20R2	WHT	
	B19N1	B15P2	RED	} TWP
	B19P1	B15R2	WHT	

REVISIONS				DRN.	DATE
REV.	DATE	CHG. NO.	APP'D.	<i>E. Froias</i>	11/20/68
				<i>A. Vartanov</i>	11/20/68
				<i>J. O'Loughlin</i>	11/22/68
				<i>J. O'Loughlin</i>	11/22/68
				<i>B. Vaillancourt</i>	11/22/68
				FIRST USED ON	

**digital** EQUIPMENT CORPORATION  
MAYNARD, MASSACHUSETTS

TITLE  
**GENERAL WIRING SHEET**  
FOR  
MM8I TWISTED PAIR

SIZE	CODE	NUMBER	REV.
A	WL	MM8I-A-7	

SCALE

SHEET 2 OF 2


DIST.

This drawing and specifications herein, are the property of Digital Equipment Corporation and shall not be reproduced or copied or used in whole or in part as the basis for the manufacture or sale of items without written permission.

SIGNAL NAME	FROM PIN	TO PIN	COLOR	REMARKS
1" CURRENT LOOP	D25S1	D23T2		#24 Green Looped Wire
	D25K1	D19T2		
	C25S1	C19T2		
	C25K1	C23T2		

REVISIONS			
REV.	DATE	CHG. NO.	APP'D.
ORIG	1/31/69	00009	-----

DRN <i>Betty Visto</i>	DATE 1-31-69
CHK'D. <i>W. B. White</i>	DATE 1-31-69
ENG. <i>W. B. White</i>	DATE 2/1/69
PROJ. ENG. <i>W. B. White</i>	DATE 2/4/69
PROD. <i>W. B. White</i>	DATE 2/5/69
FIRST USED ON	
SCALE	
SHEET 1 OF 1	


**DIGITAL EQUIPMENT CORPORATION**  
 MAYNARD, MASSACHUSETTS

TITLE		<b>GENERAL WIRING SHEET</b> FOR CURRENT LOOPS
SIZE CODE		
<b>A WL</b>	NUMBER	REV.
	MM81-A-8	
DIST.		

This drawing and specifications, herein, are the property of Digital Equipment Corporation and shall not be reproduced or copied or used in whole or in part as the basis for the manufacture or sale of items without written permission.

Table with 44 columns (1-44) and 4 rows (A-D). Contains various electronic component labels and functions such as REGULATOR POWER TSTR, SINT, MEM EXT, IF ENBL, READ ON DELAY, WRITE ON DELAY, SENSE AMP, INH DRIVER, and CONS SW.

Table with 44 columns (1-44) and 4 rows (A-D). Contains various electronic component labels and functions such as PUNCH CABLE, SD HOLE, LINE HOLD, TT SET, DATA, COUNT, SC0, SC1, SC2, SC3, SC4, MQ0, MQ1, MQ2, MQ3, MQ4, MQ5, MQ6, MQ7, MQ8, MQ9, MQ10, MQ11, and CONS IND IF OF SC 0-4 LINK.

Revision table on the left with columns for REV, CHK, and descriptions. Notes in the center: 'NOTES: 1. NOTATION INDICATES USE ONLY WHEN OPTION INSTALLED', '2. FOR MOST REPLACE THE G0205 IN LOC A30, A31, A32, A33 B31, B32 AND B33 WITH G0215', '3. FOR MBI AND MCB1 THE USUAL MEMORY STACK DEC# 30-05256-1 IS REPLACED BY DEC# 30-05256-2 WITH G125 AT LOC CD36 AND CD29 RESPECTIVELY.' Equipment Corporation logo and title 'MODULE UTILIZATION' on the right.

This drawing and specifications, herein, are the property of Digital Equipment Corporation and shall not be reproduced or copied or used in whole or in part as the basis for the manufacture or sale of items without written permission.

Main table with columns 1-44 and rows C-F. Contains various technical specifications and component identifiers like M706, M707, M113, etc.

Table with columns 1-44 and rows H-J. Contains detailed component specifications and options like EXT D MEM CONN, BAC, IOP, etc.

NOTES: I NOTATION INDICATES USE ONLY WHEN OPTION INSTALLED

REVISIONS table with columns REV, CHANGE NO, DATE.

- 2. FREQ SOURCE AT LOC J30 IS AS FOLLOWS:
M50I/KWBIA OR E M40I/KWBIB OR E
M40S/KWBIC OR F
3. FOR KWB1 REPLACE M56S IN LOC J13 TO J20 WITH M51S; REPLACE M55S IN LOC H07 TO H20 WITH M46S; EXCEPT USE M660S IN LOC H11 AND H12

Equipment Corporation form with fields for TITLE (MODULE UTILIZATION), NUMBER (8I-0-17), and other metadata.