

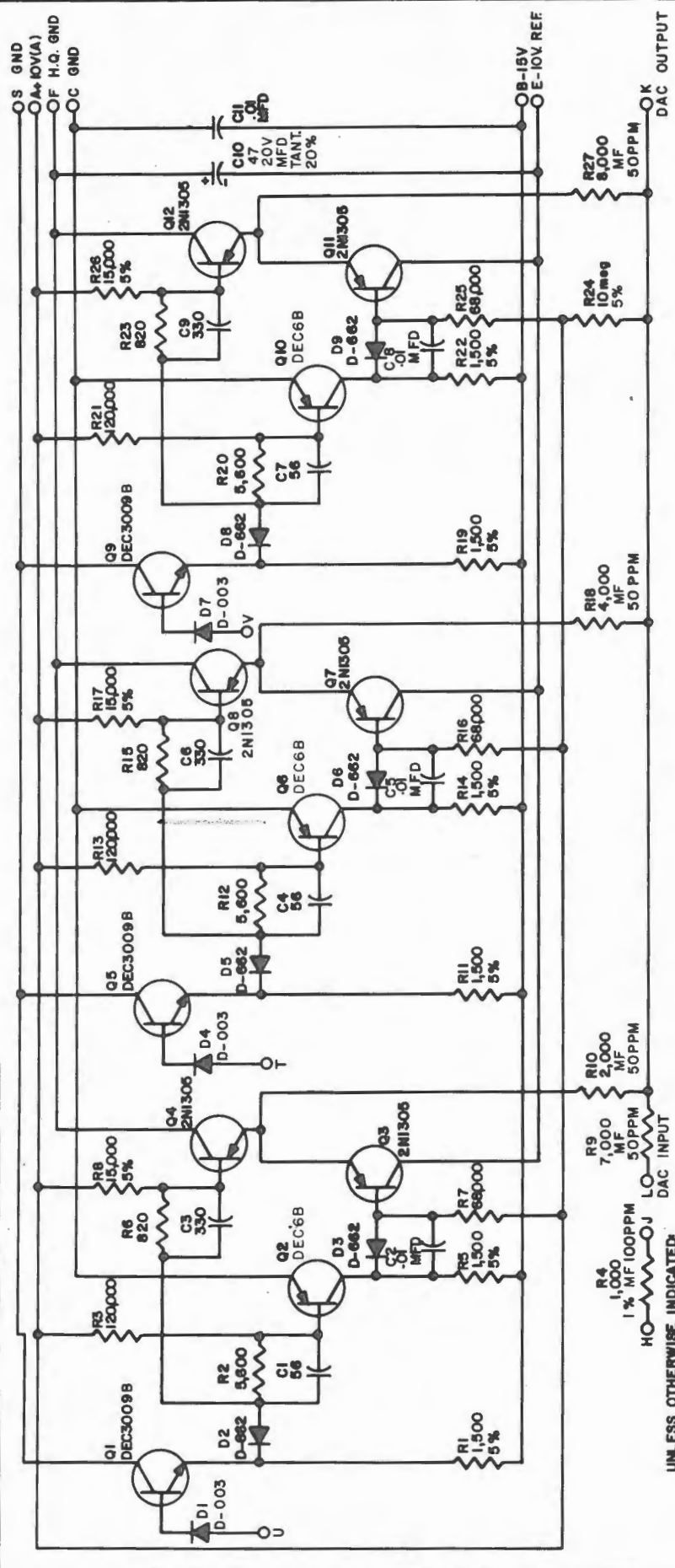
digital

**REPLACEMENT
SCHEMATICS**

PDP-9

SIZE B CS A601-0-1 NUMBER REV. C

THIS SCHEMATIC IS FURNISHED ONLY FOR TEST AND MAINTENANCE PURPOSES. THE CIRCUITS ARE PROPRIETARY IN NATURE AND SHOULD BE TREATED ACCORDINGLY. COPYRIGHT 1964 BY DIGITAL EQUIPMENT CORPORATION



UNLESS OTHERWISE INDICATED RESISTORS ARE 1/4W; 10% MF RESISTORS ARE 0.1%; 1/8W CAPACITORS ARE MINIFP

NOTE: WHEN USED AS THE LEAST SIGNIFICANT BIT, CONNECT J TO L AND CONNECT H TO H.Q. GND. PARTS LIST A-PL-A601-0-0

REVISIONS		TRANSISTOR & DIODE CONVERSION CHART		TITLE	
CHK	CHG NO. REV	DATE	DEC	EIA	DEC
1	1	9-15-64			
2	4458	9-30-64	2N1305	SAME	
3	4506	9-30-64	DEC 6B	NONE	
4	4506	9-30-64	DEC 3009B	2N3009	
5	4506	9-30-64	D 003	IN 994	
6	4506	9-30-64	D 662	IN 645	

DRN	H. PORTER	DATE	9-15-64
CHK'D	N. PERRYMAN	DATE	9-30-64
ENG	R. SORENSEN	DATE	9-30-64
PROD		DATE	

digital		3 BIT DAC A601	
EQUIPMENT CORPORATION		SIZE	CODE
MAYNARD, MASSACHUSETTS		B	CS
		NUMBER	A601-0-1
		PRINTED CIRCUIT REV.	D
		REV.	J

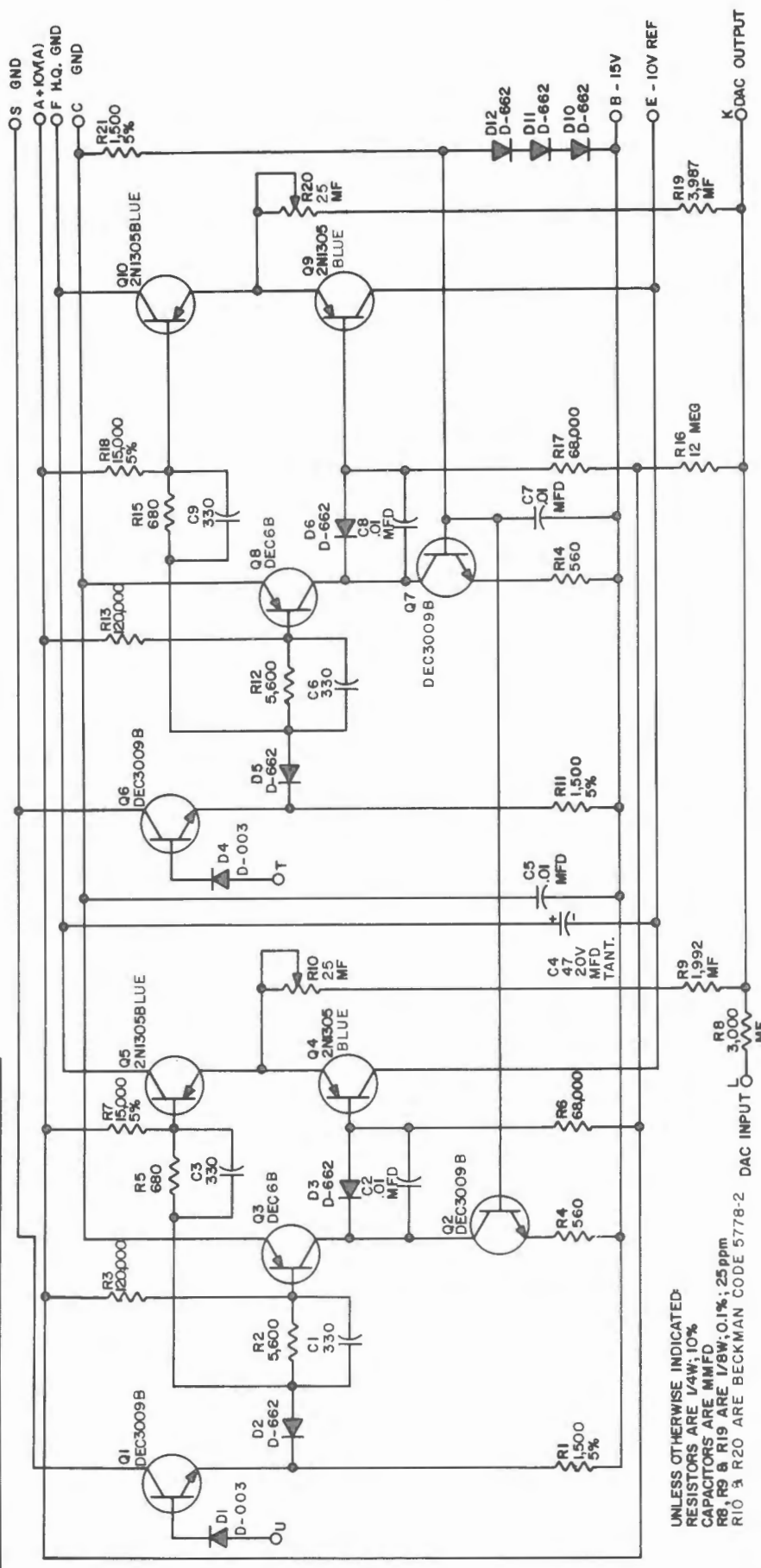
DEC FORM NO. DRB 102

DIST. #34 1244 425 PINK

DIGITAL EQUIPMENT CORPORATION • MAYNARD, MASSACHUSETTS

REV. N
 NUMBER A604-0-1
 CS B
 SIZE CODE

THIS SCHEMATIC IS FURNISHED ONLY FOR TEST AND MAINTENANCE PURPOSES. THE CIRCUITS ARE PROPRIETARY IN NATURE AND SHOULD BE TREATED ACCORDINGLY. COPYRIGHT 1964 BY DIGITAL EQUIPMENT CORPORATION



UNLESS OTHERWISE INDICATED:
 RESISTORS ARE 1/4W, 10%
 CAPACITORS ARE MMFD
 R8, R9 & R19 ARE 1/8W; 0.1%; 25 ppm
 R10 & R20 ARE BECKMAN CODE 5778-2

TRANSISTOR & DIODE CONVERSION CHART

REV	DATE	BY	CHK'D	DRN
1	12-1-64	R. SORESENSEN	N. PERRYMAN	H. PORTER
2	12-1-64	R. SORESENSEN	N. PERRYMAN	H. PORTER
3	12-1-64	R. SORESENSEN	N. PERRYMAN	H. PORTER
4	12-1-64	R. SORESENSEN	N. PERRYMAN	H. PORTER

REV	DATE	BY	CHK'D	DRN
1	12-1-64	R. SORESENSEN	N. PERRYMAN	H. PORTER
2	12-1-64	R. SORESENSEN	N. PERRYMAN	H. PORTER
3	12-1-64	R. SORESENSEN	N. PERRYMAN	H. PORTER
4	12-1-64	R. SORESENSEN	N. PERRYMAN	H. PORTER

PARTS LIST A-PL-A604-0-0

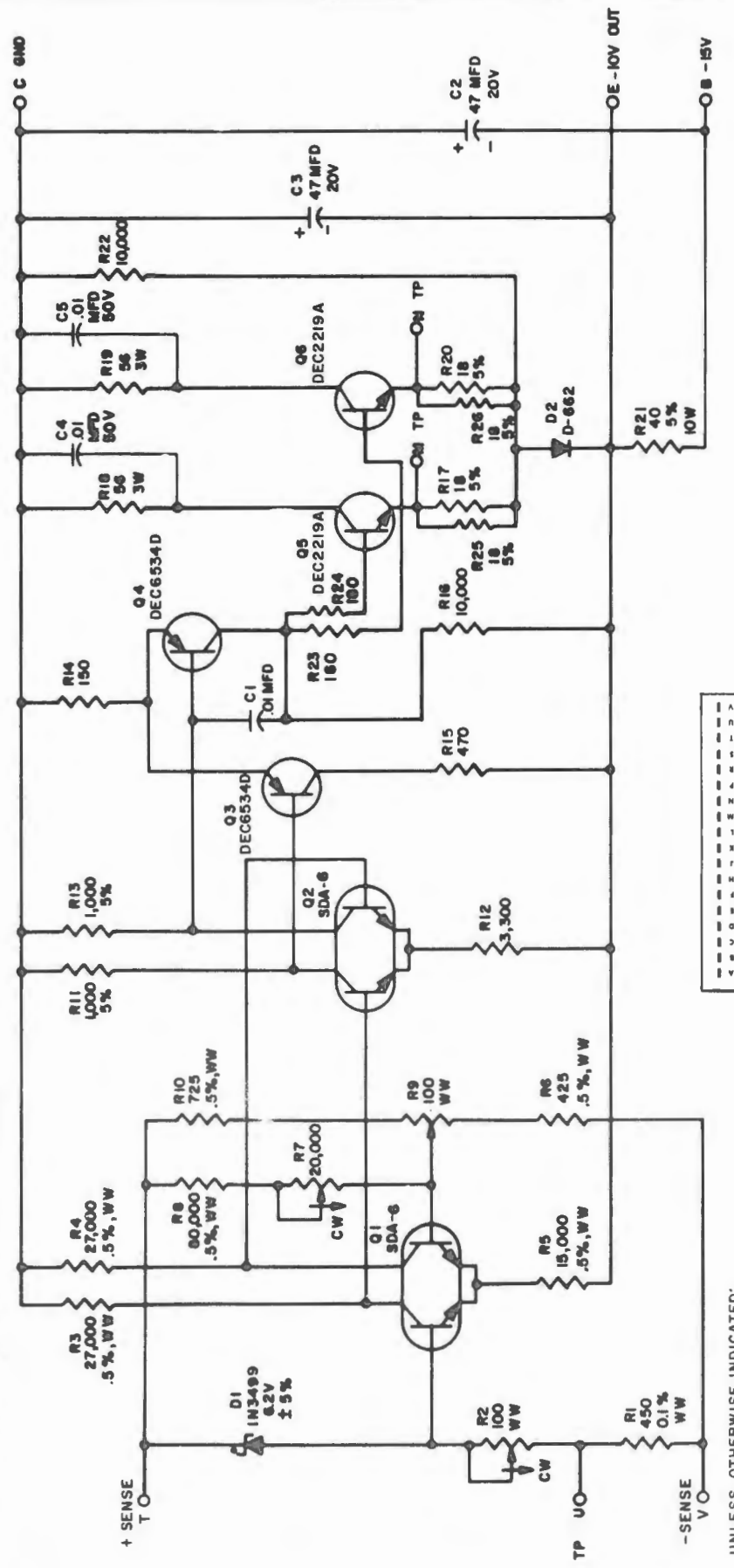
REV	N
NUMBER	A604-0-1
SIZE	B
CODE	CS
TITLE	2 BIT DAC A604

PRINTED CIRCUIT REV. F H
 DIST. 10/1/64

DIGITAL EQUIPMENT CORPORATION • MAYNARD, MASSACHUSETTS

SIZE CODE NUMBER REV
 B CS A704-0-1 J

THIS SCHEMATIC IS FURNISHED ONLY FOR TEST AND MAINTENANCE PURPOSES. THE CIRCUITS ARE PROPRIETARY IN NATURE AND SHOULD BE TREATED ACCORDINGLY. COPYRIGHT 1964 BY DIGITAL EQUIPMENT CORPORATION



UNLESS OTHERWISE INDICATED:
 RESISTORS ARE 1/4W, 10%
 R10, R6 AND R1 ARE DAVEN 3PPM TYPE 1195
 R3, R4, R5 AND R8 ARE DAVEN 20 PPM TYPE 1263
 R2, R9 ARE 50 PPM DAYSTRUM TRANSISTRIM
 R7 IS A #275P

REVISIONS

REV	DATE	BY	CHK	APP	NO	REV
5	5781		DAW	4535	4	
4	5781		REV			
3	5849		REV			
2	5900		REV			
1	6752		REV			

DRN	A.OUELLETTE	DATE	9-3-64
CHK'D	N.PERRYMAN	DATE	9-4-64
ENG	R.A.GAGNE	DATE	9-4-64
PROD		DATE	

TRANSISTOR & DIODE CONVERSION CHART		EIA		DEC		EIA	
SDA-6	2N2060	DEC6534D	SAME	DEC6534D	SAME	IN645	SAME
DEC6534D	SAME	DEC2219A	SAME	D662	IN645	IN3499	SAME
D662	IN645	IN3499	SAME				

digital
 EQUIPMENT CORPORATION
 MAYNARD, MASSACHUSETTS

TITLE: -10V PRECISION POWER SUPPLY A704

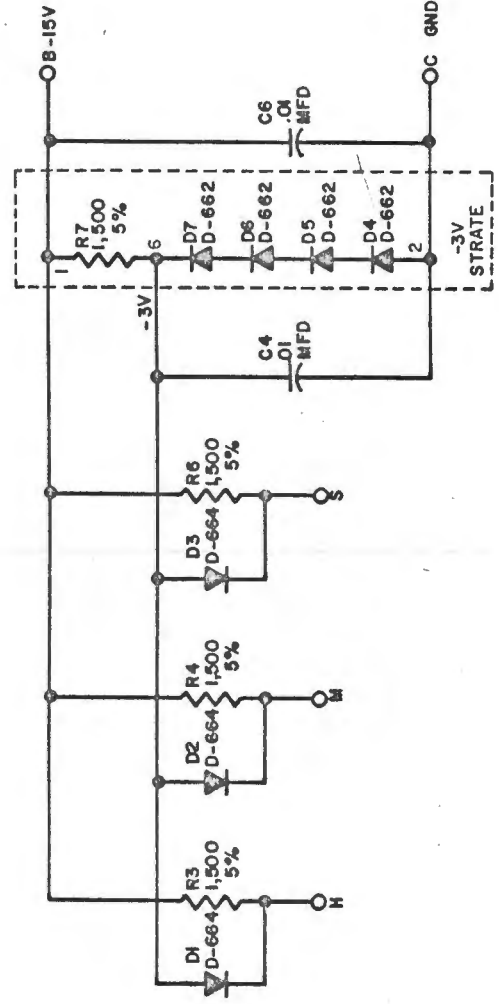
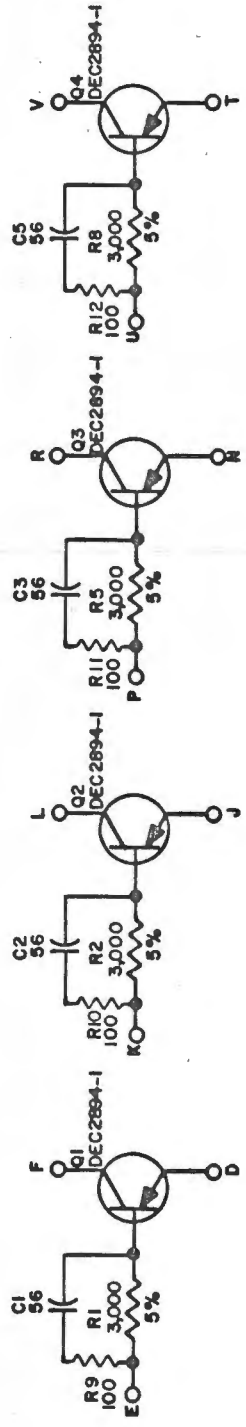
SIZE CODE: B CS
 NUMBER: A704-0-1
 REV: J

PRINTED CIRCUIT REV: E

DEC FORM NO. DRB 102

SIZE CODE NUMBER REV
 B CS B104-0-1 C

THIS SCHEMATIC IS FURNISHED ONLY FOR TEST AND MAINTENANCE PURPOSES. THE CIRCUITS ARE PROPRIETARY IN NATURE AND SHOULD BE TREATED ACCORDINGLY. COPYRIGHT 1964 BY DIGITAL EQUIPMENT CORPORATION



1 2 3 4 5 6 7 8 9 10 11 12 13 14 15 16 17 18 19 20 21 22 23 24 25 26 27 28 29 30 31 32 33 34 35 36 37 38 39 40 41 42 43 44 45 46 47 48 49 50 51 52 53 54 55 56

UNLESS OTHERWISE INDICATED:
 RESISTORS ARE 1/4W, 10%
 CAPACITORS ARE MMFD

REVISONS		CHK CHG NO	REV	TITLE	
1	5030	1	5380	INVERTER B104	
DAW		BAR	REV	SIZE	NUMBER
C		1	5380	B	CS
REV		REV	REV	CODE	NUMBER
C		1	5380	B	CS
REV		REV	REV	PRINTED	CIRCUIT
C		1	5380	REV	REV
C		1	5380	C	C

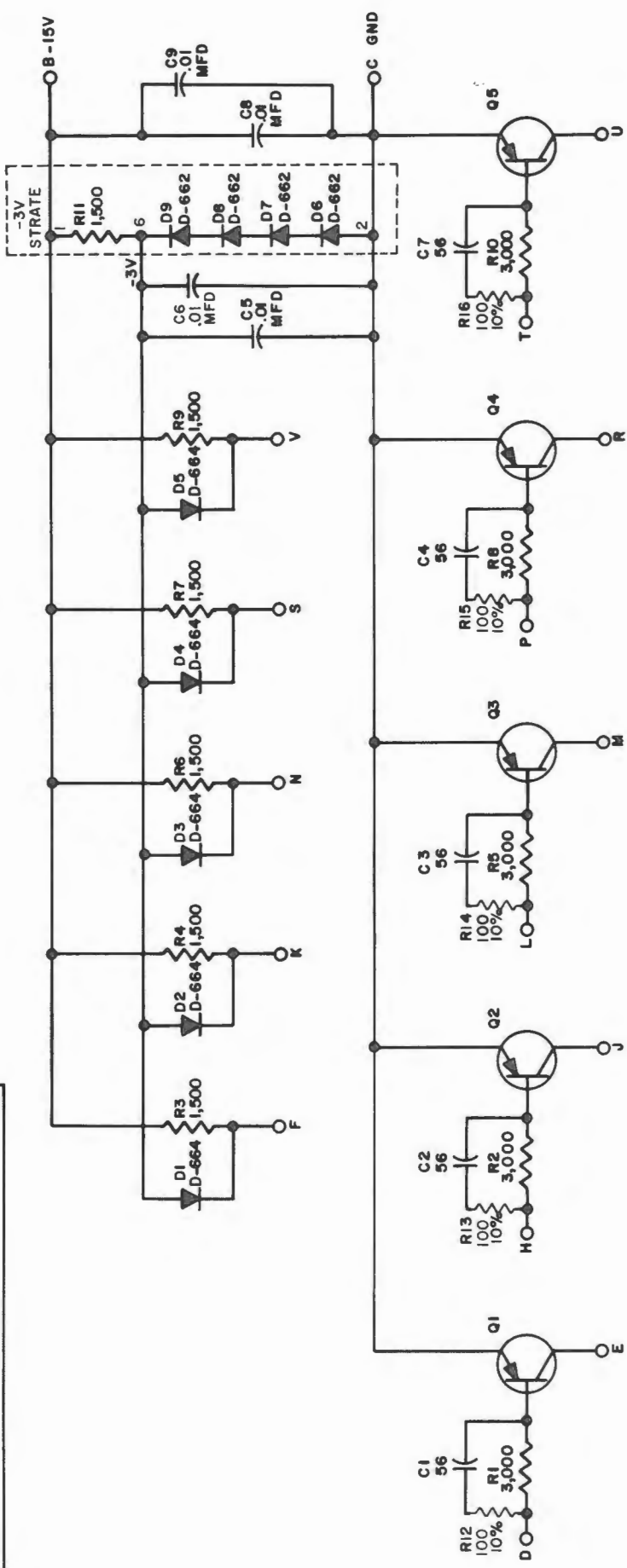
TRANSISTOR & DIODE CONVERSION CHART		EIA	DEC
DEC2894-1	NONE	IN645	
D662	IN645	IN3606	
D664	IN3606		

DRN.	DATE
H PORTER	4-28-64
CHK'D	DATE
N PERRYMAN	5-4-64
ENG.	DATE
B SCUDNEY	5-4-64
PROD.	DATE

DEC FORM NO. DRB 102

SIZE CODE NUMBER REV
 B CS BIOS-0-1 E

THIS SCHEMATIC IS FURNISHED ONLY FOR TEST AND MAINTENANCE PURPOSES. THE CIRCUITS ARE PROPRIETARY IN NATURE AND SHOULD BE TREATED ACCORDINGLY. COPYRIGHT 1964 BY DIGITAL EQUIPMENT CORPORATION

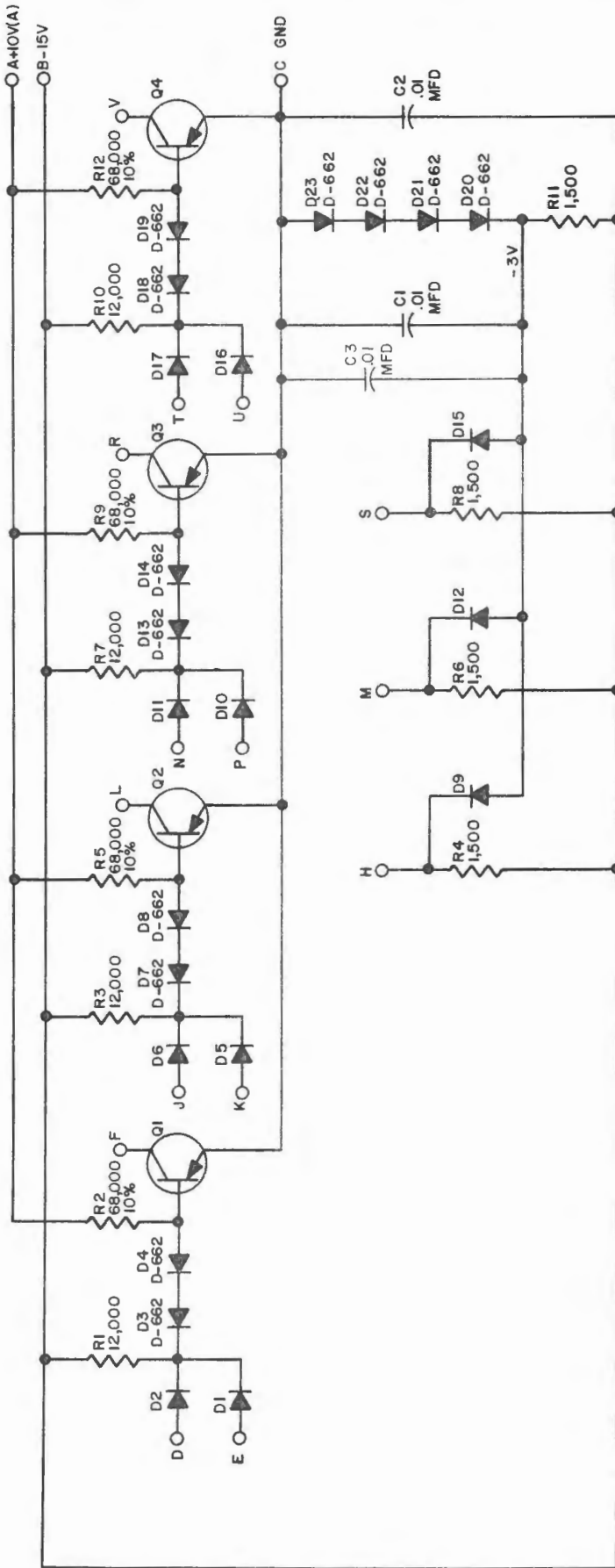


UNLESS OTHERWISE INDICATED:
 RESISTORS ARE 1/4W, 5%
 CAPACITORS ARE MMFD
 TRANSISTORS ARE DEC 2894-1B

←-----→

REVISIONS		CHK CHG NO	REV	DAW 5269	3	REV 5381	E																																								
DEC FORM NO. DRB 102		<table border="1"> <tr> <th>DRN</th> <th>DATE</th> <th>DATE</th> <th>DATE</th> <th>DATE</th> <th>DATE</th> <th>DATE</th> <th>DATE</th> </tr> <tr> <td>H PORTER</td> <td>4-29-64</td> <td>5-4-64</td> <td>5-4-64</td> <td>5-4-64</td> <td></td> <td></td> <td></td> </tr> <tr> <td>CHK'D</td> <td></td> <td></td> <td></td> <td></td> <td></td> <td></td> <td></td> </tr> <tr> <td>ENG</td> <td>N PERRYMAN</td> <td></td> <td></td> <td></td> <td></td> <td></td> <td></td> </tr> <tr> <td>PROD</td> <td>B SCUDNEY</td> <td></td> <td></td> <td></td> <td></td> <td></td> <td></td> </tr> </table>						DRN	DATE	DATE	DATE	DATE	DATE	DATE	DATE	H PORTER	4-29-64	5-4-64	5-4-64	5-4-64				CHK'D								ENG	N PERRYMAN							PROD	B SCUDNEY						
DRN	DATE	DATE	DATE	DATE	DATE	DATE	DATE																																								
H PORTER	4-29-64	5-4-64	5-4-64	5-4-64																																											
CHK'D																																															
ENG	N PERRYMAN																																														
PROD	B SCUDNEY																																														
TRANSISTOR & DIODE CONVERSION CHART		<table border="1"> <tr> <th>DEC</th> <th>EIA</th> <th>DEC</th> <th>EIA</th> </tr> <tr> <td>DEC2894-1B</td> <td>NONE</td> <td></td> <td></td> </tr> <tr> <td>D662</td> <td>1N645</td> <td></td> <td></td> </tr> <tr> <td>D664</td> <td>1N3606</td> <td></td> <td></td> </tr> </table>						DEC	EIA	DEC	EIA	DEC2894-1B	NONE			D662	1N645			D664	1N3606																										
DEC	EIA	DEC	EIA																																												
DEC2894-1B	NONE																																														
D662	1N645																																														
D664	1N3606																																														
TITLE		INVERTER BIOS																																													
SIZE CODE		NUMBER		REV.																																											
B CS		BIOS-0-1		E																																											
PRINTED CIRCUIT REV.		D																																													

RS-B-B113-2

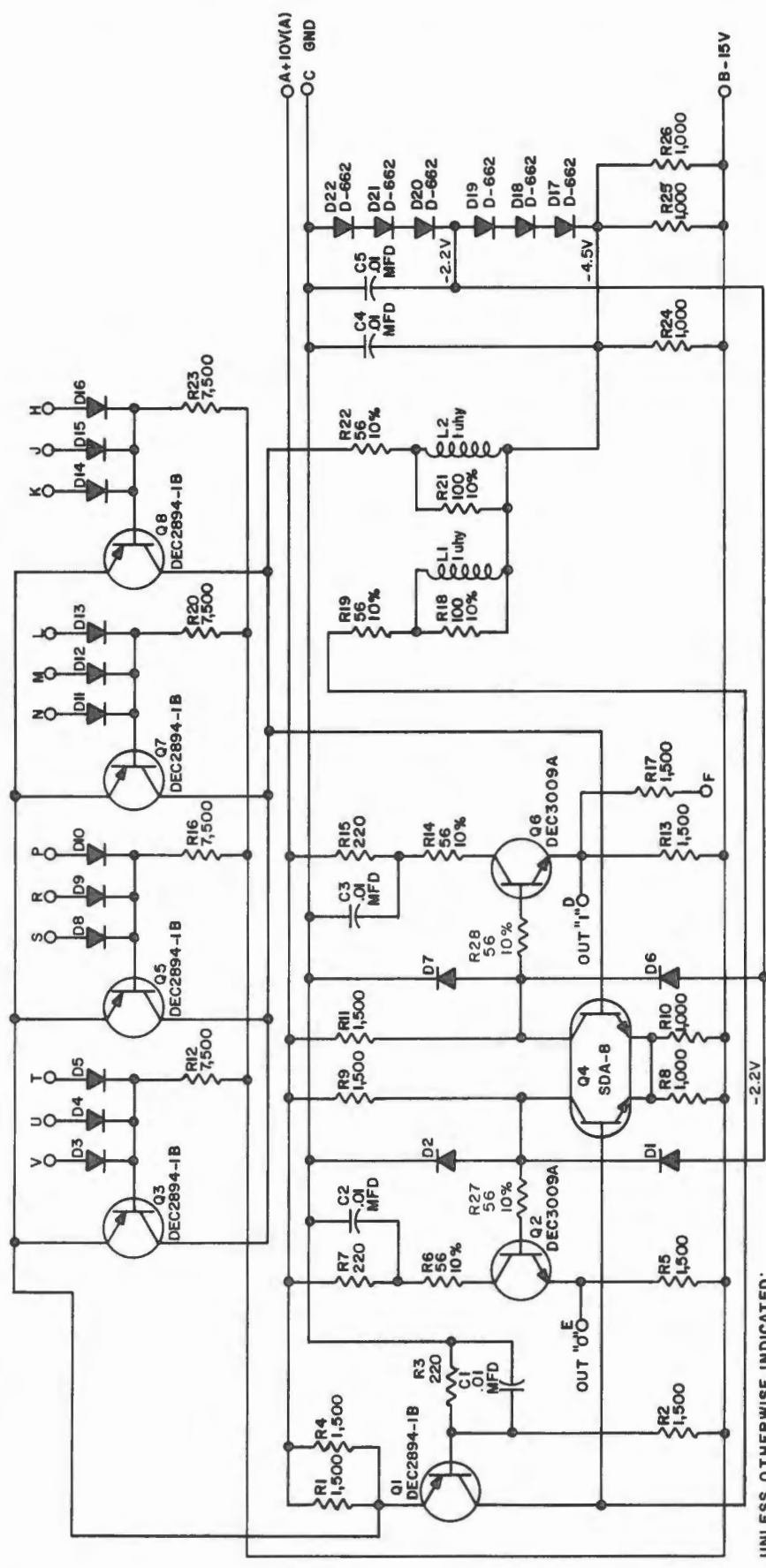


UNLESS OTHERWISE INDICATED:
 RESISTORS ARE 1/4W, 5%
 TRANSISTORS ARE DEC2894-1B
 DIODES ARE D-664

TRANSISTOR & DIODE CONVERSION CHART		NOTES	
DEC	EIA	DEC	EIA
DEC-2894-1B	NONE	B	RS-B-B113
D-662	1N645	THIS SCHEMATIC IS FURNISHED ONLY FOR TEST AND MAINTENANCE PURPOSES. THE CIRCUITS ARE PROPRIETARY IN NATURE AND SHOULD BE TREATED ACCORDINGLY.	
D-664	1N5606		
		COPYRIGHT 1964 BY DIGITAL EQUIPMENT CORPORATION	
		DIODE GATE B113	

REV. B
 NUMBER 1-0-0E1B
 SIZE CODE 9

THIS SCHEMATIC IS FURNISHED ONLY FOR TEST AND MAINTENANCE PURPOSES. THE CIRCUITS ARE PROPRIETARY IN NATURE AND SHOULD BE TREATED ACCORDINGLY. COPYRIGHT 1964 BY DIGITAL EQUIPMENT CORPORATION



UNLESS OTHERWISE INDICATED:
 RESISTORS ARE 1/4W, 5%
 DIODES ARE D664

PARTS LIST A-PL-B130-0-0

REV	CHG NO	BY	DATE
1	1	W	11-19-64
2	2	W	12-3-64
3	3	W	12-3-64

DRN	DATE	DEC	EIA	EIA
H.W. PORTER	11-19-64	DEC	DEC	EIA
CHK'D N. PERRYMAN	12-3-64	DEC2894-1B	NONE	
ENG R. DOANE	12-3-64	SDA-8	NONE	
PROD.		DEC3009A	2N3009	
		D662	1N645	
		D664	1N3606	

TRANSISTOR & DIODE CONVERSION CHART				
DEC	EIA	DEC	EIA	
DEC2894-1B	NONE			
SDA-8	NONE			
DEC3009A	2N3009			
D662	1N645			
D664	1N3606			

TITLE 3 BIT PARITY CIRCUIT B130				
SIZE	CODE	NUMBER	REV.	
B	CS	B130-0-1	B	

PRINTED CIRCUIT REV.	REV.
B	B

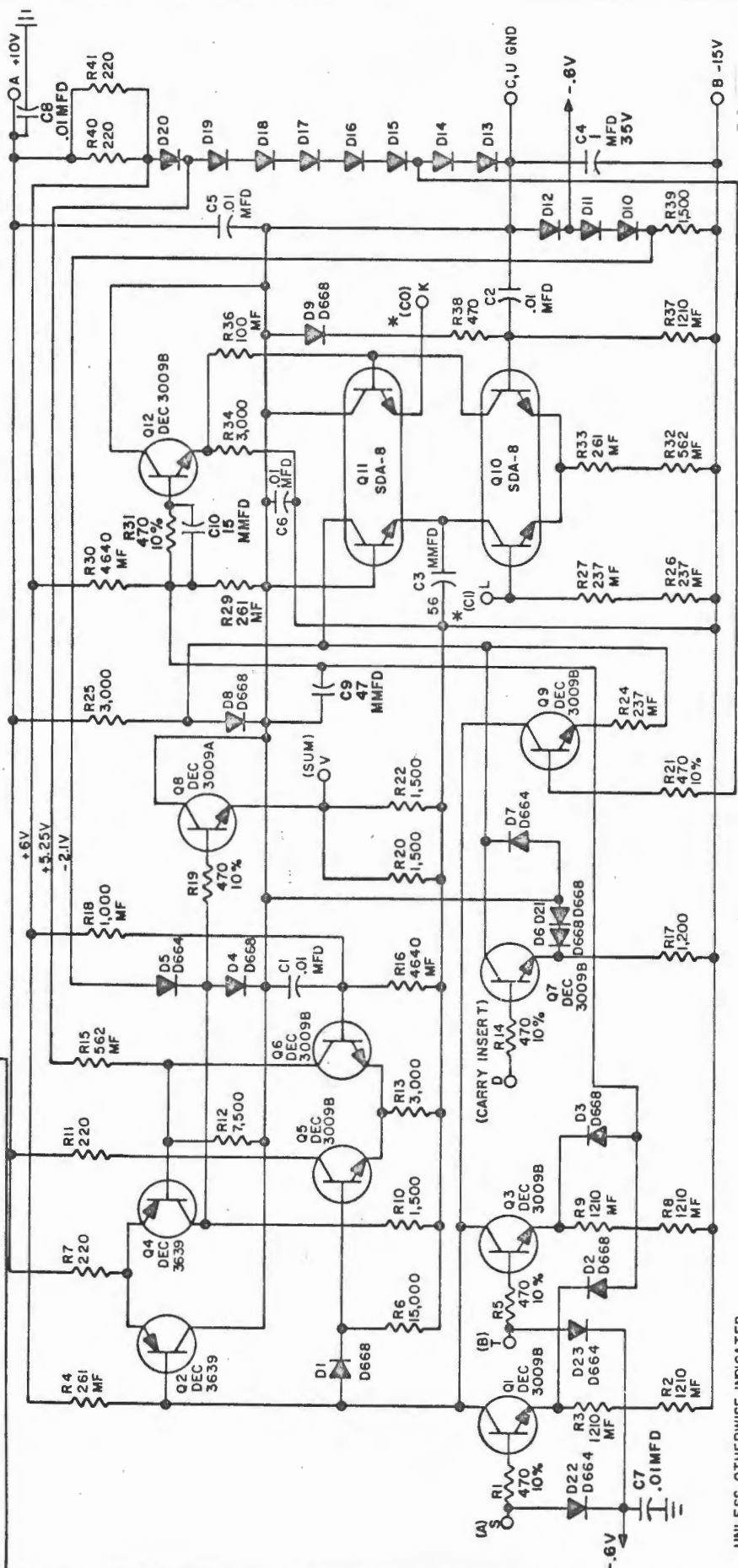
DEC FORM NO. DR8 102

PINK

DIGITAL EQUIPMENT CORPORATION • MAYNARD, MASSACHUSETTS

SIZE CODE B CS NUMBER 13131-0-1 REV. E

THIS SCHEMATIC IS FURNISHED ONLY FOR TEST AND MAINTENANCE PURPOSES. THE CIRCUITS ARE PROPRIETARY IN NATURE AND SHOULD BE TREATED ACCORDINGLY. COPYRIGHT 1966 BY DIGITAL EQUIPMENT CORPORATION



UNLESS OTHERWISE INDICATED;
 RESISTORS ARE 1/4W, 5%
 MF RESISTORS ARE METAL FILM 1/8W 1% 100PPM
 DIODES ARE D662
 D668 2(TWO) IN 3606 IN SERIES

* C0 IS CONNECTED TO C1 ON THE NEXT MODULE BY A 100 \sim 1/4W, 5%, CARBON RESISTOR FROM PIN K TO PIN L

REV	CHG NO	DATE	BY	CHK'D	DATE	DRN	REVISIONS
1	8250	2-9-66	R. SOGGE	R. SILVERMAN	2-9-66	CHK'D	1
2	8451	2-9-66	R. SOGGE	R. SILVERMAN	2-9-66	ENG.	2
3	8505	2-9-66	R. SOGGE	R. SILVERMAN	2-9-66	ENG.	3
4	8505	2-9-66	R. SOGGE	R. SILVERMAN	2-9-66	ENG.	4
5	8505	2-9-66	R. SOGGE	R. SILVERMAN	2-9-66	ENG.	5
6	8505	2-9-66	R. SOGGE	R. SILVERMAN	2-9-66	ENG.	6
7	8505	2-9-66	R. SOGGE	R. SILVERMAN	2-9-66	ENG.	7
8	8505	2-9-66	R. SOGGE	R. SILVERMAN	2-9-66	ENG.	8
9	8505	2-9-66	R. SOGGE	R. SILVERMAN	2-9-66	ENG.	9
10	8505	2-9-66	R. SOGGE	R. SILVERMAN	2-9-66	ENG.	10

DATE	DESCRIPTION
DEC 3009B	2N3009
DEC 3639	2N3639
SDA-8	NONE
D662	IN645
D664	IN3606

TRANSISTOR & DIODE CONVERSION CHART	EIA	DEC	EIA
DEC 3009B	2N3009	D668	SEE NOTE
DEC 3639	2N3639	SDA-8	NONE
D662	IN645	D664	IN3606

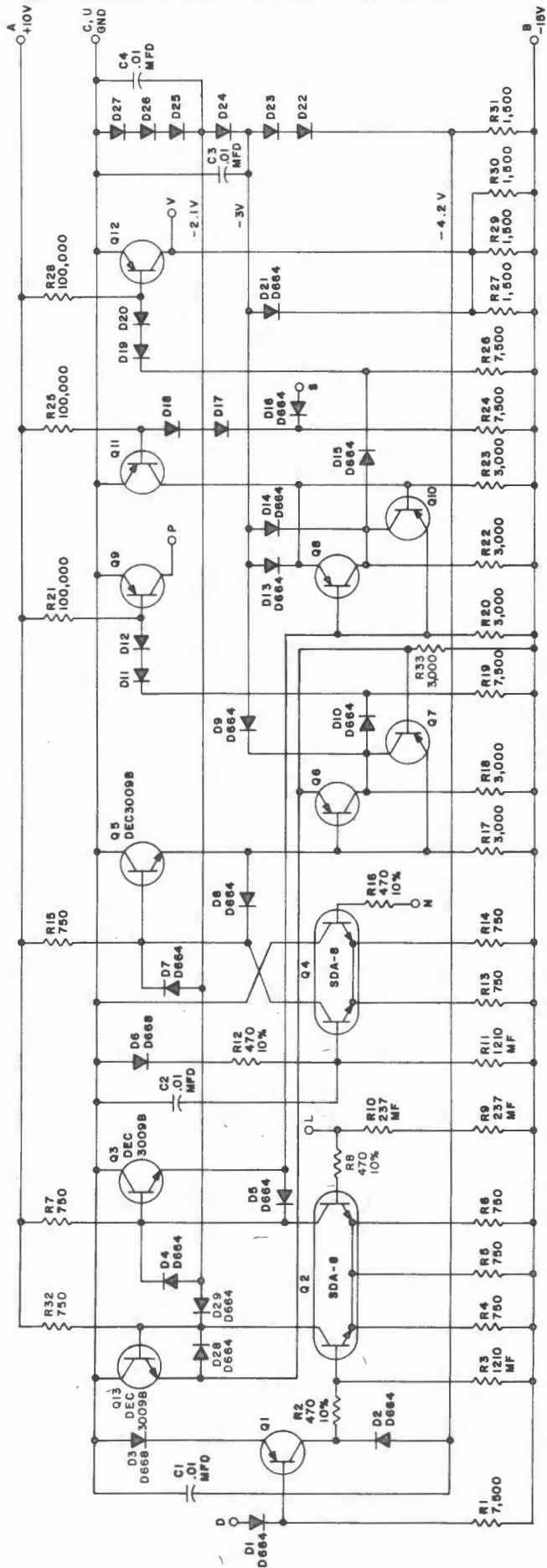
TITLE	SIZE	CODE	NUMBER	REV.
ADDER B131	B	CS	B131-0-1	E

PRINTED CIRCUIT REV.	F

DIGITAL EQUIPMENT CORPORATION • MAYNARD, MASSACHUSETTS

DEC FORM NO. DRG 102

THIS DOCUMENT IS UNCLASSIFIED FOR TEST AND MAINTENANCE PURPOSES. THE CLASSIFICATION AND DECLASSIFICATION ARE TREATED ACCORDINGLY TO THE E.O. 13526, EXCEPT WHERE SHOWN OTHERWISE. COPYRIGHT 1987 BY DIGITAL EQUIPMENT CORPORATION



UNLESS OTHERWISE INDICATED:
 TRANSISTORS ARE 2N4256
 DIODES ARE D662
 RESISTORS ARE 1/4W; 5%
 MF RESISTORS ARE 1/8W; 1%

* 2 (TWO) IN3606 IN SERIES

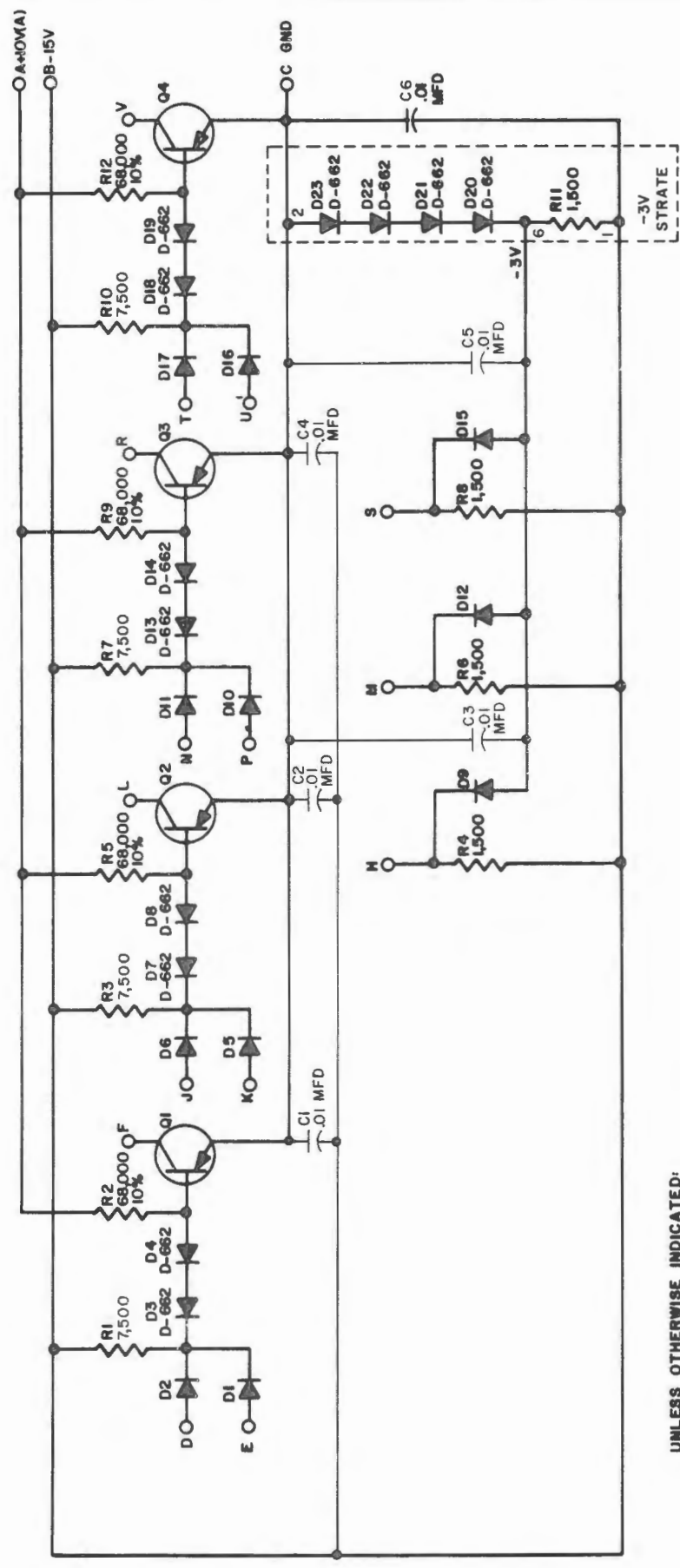
DATE	DATE	DATE	DATE	DATE	DATE	DATE	DATE
DRN	CHK	APP	DES	APP	DES	APP	DES
Mr. [Signature]	Mr. [Signature]	Mr. [Signature]	Mr. [Signature]	Mr. [Signature]	Mr. [Signature]	Mr. [Signature]	Mr. [Signature]
8-9-67	8-9-67	8-9-67	8-9-67	8-9-67	8-9-67	8-9-67	8-9-67
EDA-3	EDA-3	EDA-3	EDA-3	EDA-3	EDA-3	EDA-3	EDA-3
D666	D666	D666	D666	D666	D666	D666	D666
0601008	0601008	0601008	0601008	0601008	0601008	0601008	0601008
2111111	2111111	2111111	2111111	2111111	2111111	2111111	2111111
0888	0888	0888	0888	0888	0888	0888	0888
0888	0888	0888	0888	0888	0888	0888	0888
0888	0888	0888	0888	0888	0888	0888	0888
0888	0888	0888	0888	0888	0888	0888	0888

TITLE		LINC ADDER BI32	
EQUIPMENT	SIZE	CODE	NUMBER
CORPORATION	C	CS	BI32-0-1
MAYNARD, MASSACHUSETTS	C	CS	BI32-0-1
PRINTED CIRCUIT REV.	B		

DIGITAL EQUIPMENT CORPORATION • MAYNARD, MASSACHUSETTS

SIZE CODE NUMBER
 B CS B133-0-1
 A3H

THIS SCHEMATIC IS FURNISHED ONLY FOR TEST AND MAINTENANCE PURPOSES. THE CIRCUITS ARE PROPRIETARY IN NATURE AND SHOULD BE TREATED ACCORDINGLY. COPYRIGHT 1966 BY DIGITAL EQUIPMENT CORPORATION



UNLESS OTHERWISE INDICATED:
 RESISTORS ARE 1/4W, 5%
 TRANSISTORS ARE 2N4258
 DIODES ARE D-664

USE THE ETCH BOARD OF THE B113

REVISIONS	CHK	CHG NO	REV
5658	A		
5918	B		

DRN	DATE	CHK'D BY	DATE	ENG	DATE	PROD	DATE

DEC	EIA	DEC	FIA
2N4258	2N4258		
D662	1N645		
D664	1N3606		

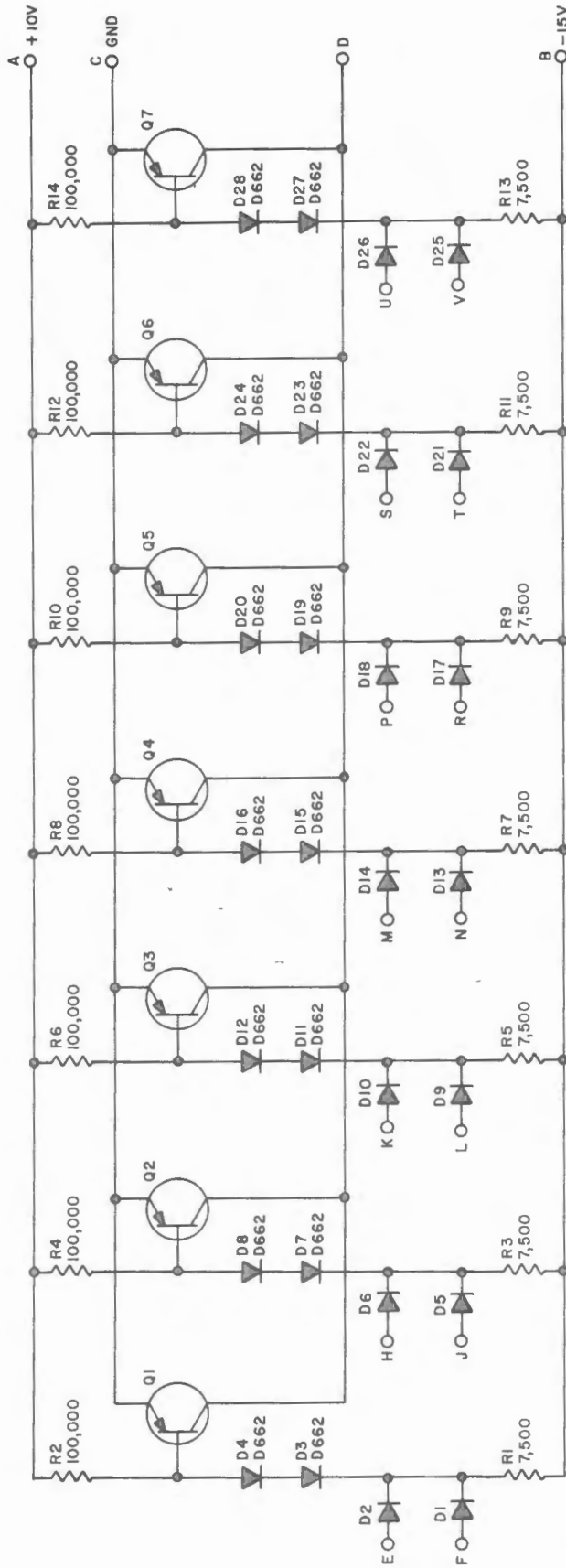
TRANSISTOR & DIODE CONVERSION CHART

digital
 EQUIPMENT CORPORATION
 MAYNARD, MASSACHUSETTS

TITLE: DIODE GATE B133
 SIZE CODE NUMBER: B CS B133-0-1
 REV: B
 PRINTED CIRCUIT REV: C

SIZE	CODE	REV	NUMBER
B	CS	A	BI41-0-1

THIS SCHEMATIC IS FURNISHED ONLY FOR TEST AND MAINTENANCE PURPOSES. THE CIRCUITS ARE PROPRIETARY IN NATURE AND SHOULD BE TREATED ACCORDINGLY. COPYRIGHT 1966 BY DIGITAL EQUIPMENT CORPORATION



UNLESS OTHERWISE INDICATED:
RESISTORS ARE 1/4W, 5%
DIODES ARE D664
TRANSISTORS ARE 2N4258



REV	NUMBER	REV	REV
A	BI41-0-1	A	A
CHG NO	CS	CODE	NUMBER
6997	B	B	BI41-0-1
REV	PRINTED	CIRCUIT	REV
A	A	A	A

REVISIONS

DATE	DATE	DATE	DATE
6/17/66	6/17/66	6/17/66	6/17/66
DRW	CHK	ENG	PROD
...

TRANSISTOR & DIODE CONVERSION CHART

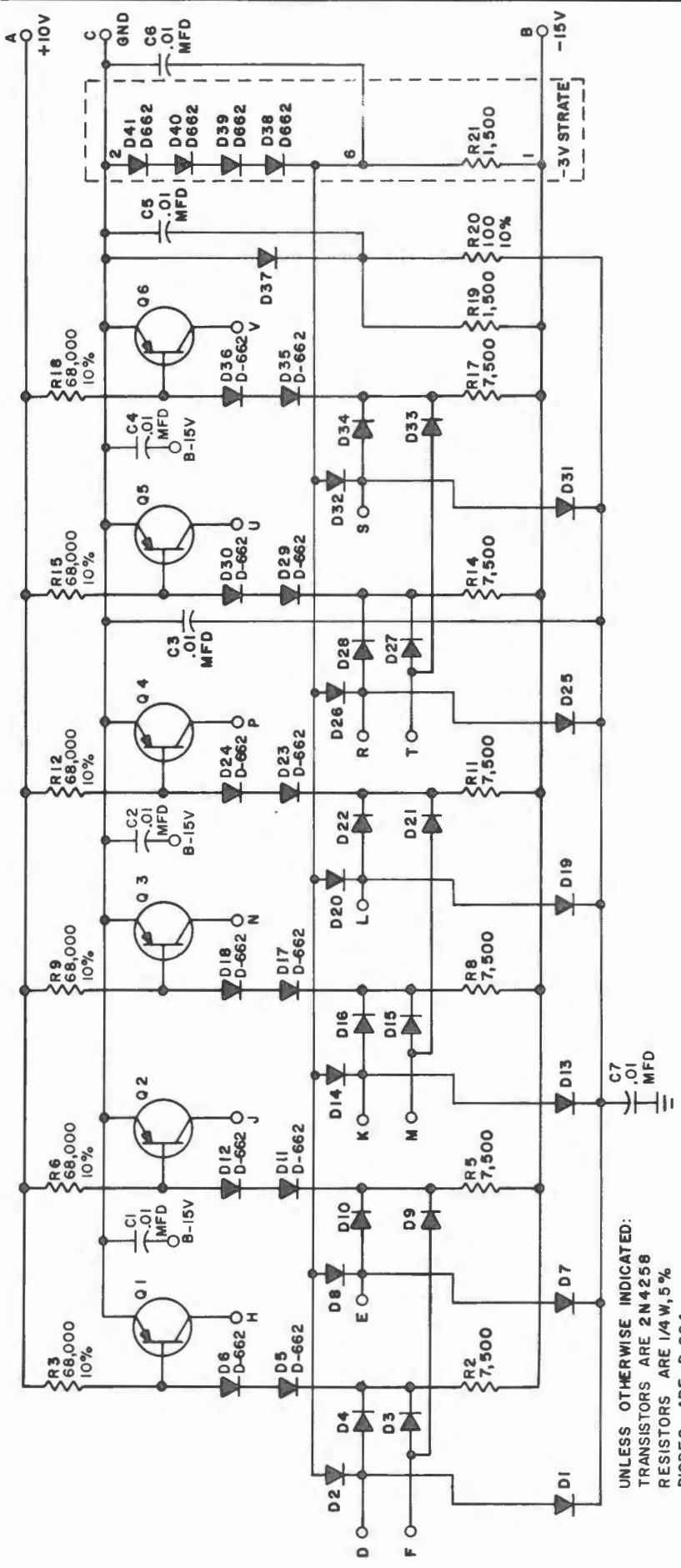
DEC	EIA	DEC	EIA
2N4258	SAME	D662	IN645
D664	IN3606		

TITLE: DIODE GATE BI41

digital EQUIPMENT CORPORATION
MAYNARD, MASSACHUSETTS

REV. D NUMBER B163-0-1 CS B SIZE CODE

THIS SCHEMATIC IS FURNISHED ONLY FOR TEST AND MAINTENANCE PURPOSES. THE CIRCUITS ARE PROPRIETARY IN NATURE AND SHOULD BE TREATED ACCORDINGLY. COPYRIGHT 1966 BY DIGITAL EQUIPMENT CORPORATION



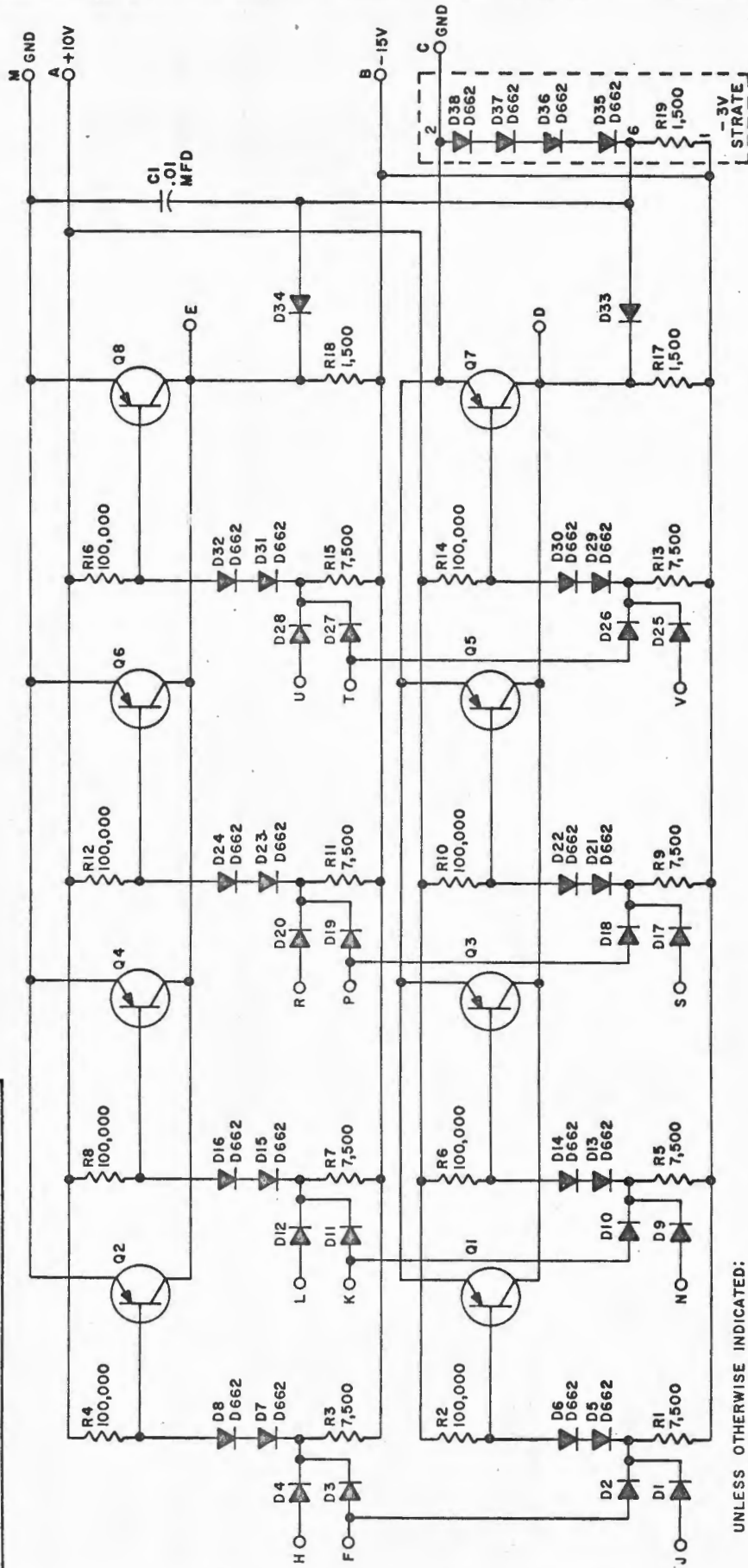
UNLESS OTHERWISE INDICATED:
 TRANSISTORS ARE 2N4258
 RESISTORS ARE 1/4W, 5%
 DIODES ARE D-664

REVISIONS		DATE		DRN		DATE		TITLE	
A	5913	1/13/66	9-30-66	W. Simpson	DEC	2N4258	2N4258	DIODE GATE	B163
B	5913	1/13/66	9-30-66	A. Robinson	DEC	IN645	IN645	CODE	B
C	5912	1/13/66	9-30-66	Allen, Leo	DEC	IN3606	IN3606	NUMBER	B163-0-1
D	5912	1/13/66	9-30-66	Allen, Leo	DEC	IN3606	IN3606	REV	D

DIGITAL EQUIPMENT CORPORATION · MAYNARD, MASSACHUSETTS

REV. C NUMBER 1-0-6918 CS B SIZE

THIS SCHEMATIC IS FURNISHED ONLY FOR TEST AND MAINTENANCE PURPOSES. THE CIRCUITS ARE PROPRIETARY IN NATURE AND SHOULD BE TREATED ACCORDINGLY. COPYRIGHT 1966 BY DIGITAL EQUIPMENT CORPORATION



UNLESS OTHERWISE INDICATED:
RESISTORS ARE 1/4W; 5%
DIODES ARE D664
TRANSISTORS ARE 2N4258

REV	CHG NO	DATE	BY
5409		5/10/66	
5443		5/24/66	
6497		5/24/66	

DRN	DATE	DATE	DATE	DATE
	5/10/66	5/24/66	5/24/66	5/24/66
CHK'D				
ENGR				
PRD'D				

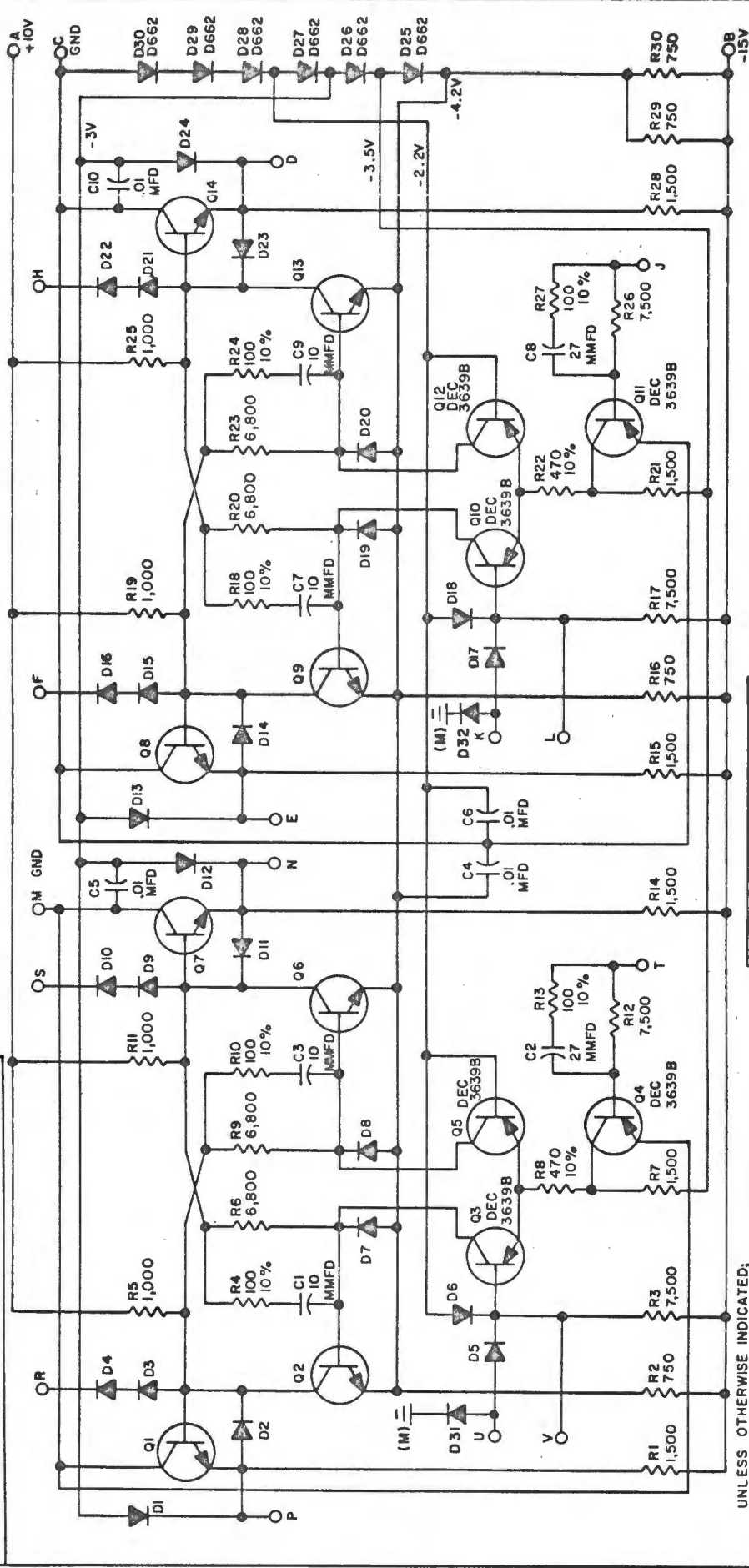
TRANSISTOR & DIODE CONVERSION CHART			
DEC	EIA	DEC	EIA
2N4258	SAME		
D662	IN645		
D664	IN3606		

digital
EQUIPMENT CORPORATION
MAYNARD, MASSACHUSETTS

TITLE INVERTER B169
SIZE CODE NUMBER B CS B169-0-1
PRINTED CIRCUIT REV. B

1-0-312B CS B
 NUMBER CODE SIZE
 10000 10000 10000

THIS SCHEMATIC IS FURNISHED ONLY FOR TEST AND MAINTENANCE PURPOSES. THE CIRCUITS ARE PROPRIETARY IN NATURE AND SHOULD BE TREATED ACCORDINGLY. COPYRIGHT 1966 BY DIGITAL EQUIPMENT CORPORATION

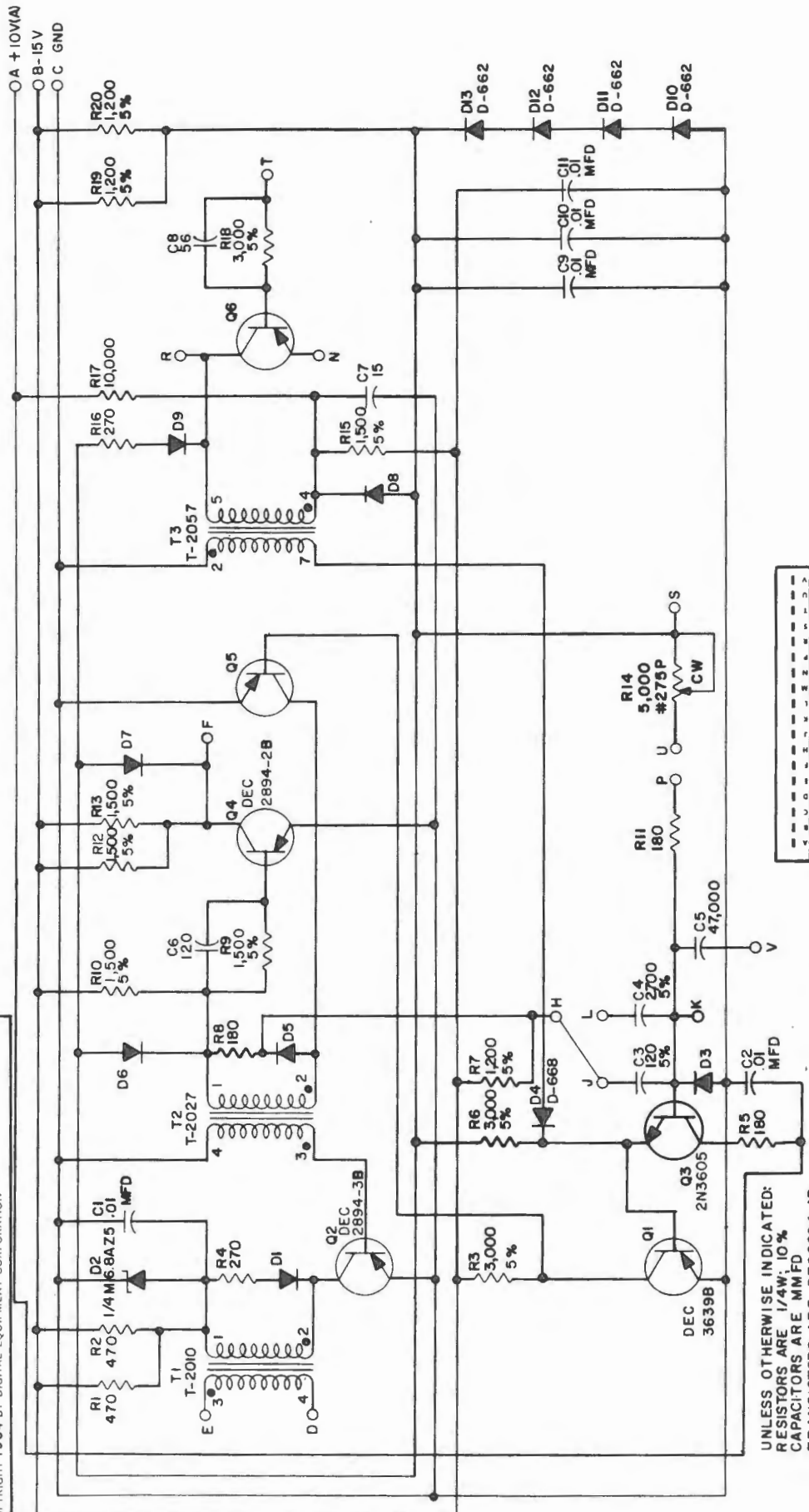


UNLESS OTHERWISE INDICATED,
 RESISTORS ARE 1/4W; 5%
 DIODES ARE D664.
 TRANSISTORS ARE DEC3009B

REVISIONS		DATE		DATE		DATE		DATE		DATE	
REV	CHG NO	REV	CHG NO	REV	CHG NO	REV	CHG NO	REV	CHG NO	REV	CHG NO
5453	5828	2-9-66	R. SOGGIE	2-9-66	R. SOGGIE	2-9-66	R. SOGGIE	2-9-66	R. SOGGIE	2-9-66	R. SOGGIE
5828	6187	2-10-66	R. SILVERMAN	2-10-66	R. SILVERMAN	2-10-66	R. SILVERMAN	2-10-66	R. SILVERMAN	2-10-66	R. SILVERMAN
6187	6688	2-7-66	A. OUELLETTE	2-7-66	A. OUELLETTE	2-7-66	A. OUELLETTE	2-7-66	A. OUELLETTE	2-7-66	A. OUELLETTE
TRANSISTOR & DIODE CONVERSION CHART		EIA		DEC		EIA		DEC		EIA	
DEC3009B		2N3009		DEC3009B		2N3009		DEC3009B		2N3009	
D662		1N643		D662		1N643		D662		1N643	
D664		1N3506		D664		1N3506		D664		1N3506	
TITLE JAM FLIP-FLOP B213											
SIZE CODE NUMBER B CS B213-0-1											
PRINTED CIRCUIT REV. C											
REV F											

SIZE CODE B CS NUMBER 1-0-1-301 H

THIS SCHEMATIC IS FURNISHED ONLY FOR TEST AND MAINTENANCE PURPOSES. THE CIRCUITS ARE PROPRIETARY IN NATURE AND SHOULD BE TREATED ACCORDINGLY. COPYRIGHT 1964 BY DIGITAL EQUIPMENT CORPORATION



*2 (TWO) IN3606 IN SERIES

UNLESS OTHERWISE INDICATED:
RESISTORS ARE 1/4W, 10%
CAPACITORS ARE MMFD
TRANSISTORS ARE DEC2894-1B
DIODES ARE D-664

REVISEMENTS		DATE		DATE		DATE		DATE		DATE		DATE		DATE	
NO.	BY	NO.	BY	NO.	BY	NO.	BY	NO.	BY	NO.	BY	NO.	BY	NO.	BY
1	5147	1	5147	1	5147	1	5147	1	5147	1	5147	1	5147	1	5147
2	5147	2	5147	2	5147	2	5147	2	5147	2	5147	2	5147	2	5147
3	5147	3	5147	3	5147	3	5147	3	5147	3	5147	3	5147	3	5147
4	5147	4	5147	4	5147	4	5147	4	5147	4	5147	4	5147	4	5147
5	5147	5	5147	5	5147	5	5147	5	5147	5	5147	5	5147	5	5147

ORIN	PAUL TELLIER	6-18-64	DATE	DATE	DATE	DATE	DATE	DATE	DATE
CHK'D	N. PERRYMAN	6-23-64	DATE	DATE	DATE	DATE	DATE	DATE	DATE
ENG	E. CHEVRIER	6-23-64	DATE	DATE	DATE	DATE	DATE	DATE	DATE
PROD			DATE	DATE	DATE	DATE	DATE	DATE	DATE

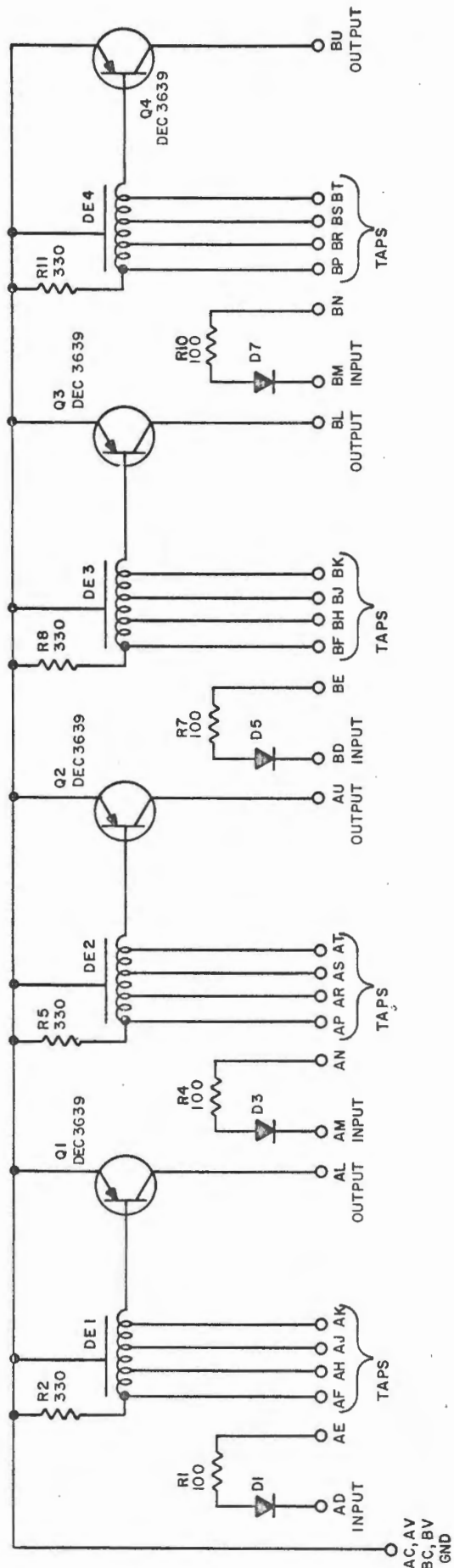
TRANSISTOR & DIODE CONVERSION CHART		DEC	EIA	DEC	EIA
DEC2894-1B	NONE	DEC2894-2B	NONE	1/4M6.8AZ5	IN4099
DEC2894-3B	NONE	2N3605	SAME	D-662	IN645
DEC3639B	NONE	DEC3639B	NONE	D-664	IN3506
				D-668	D-668*

TITLE		SIZE	CODE	NUMBER	REV
ONE SHOT DELAY B301		B	CS	B301-0-1	H

PRINTED CIRCUIT REV	
C	

REV. B
 NUMBER B310-0-1
 SIZE CODE CS

THIS SCHEMATIC IS FURNISHED ONLY FOR TEST AND MAINTENANCE PURPOSES. THE CIRCUITS ARE PROPRIETARY IN NATURE AND SHOULD BE TREATED ACCORDINGLY. COPYRIGHT 1965 BY DIGITAL EQUIPMENT CORPORATION

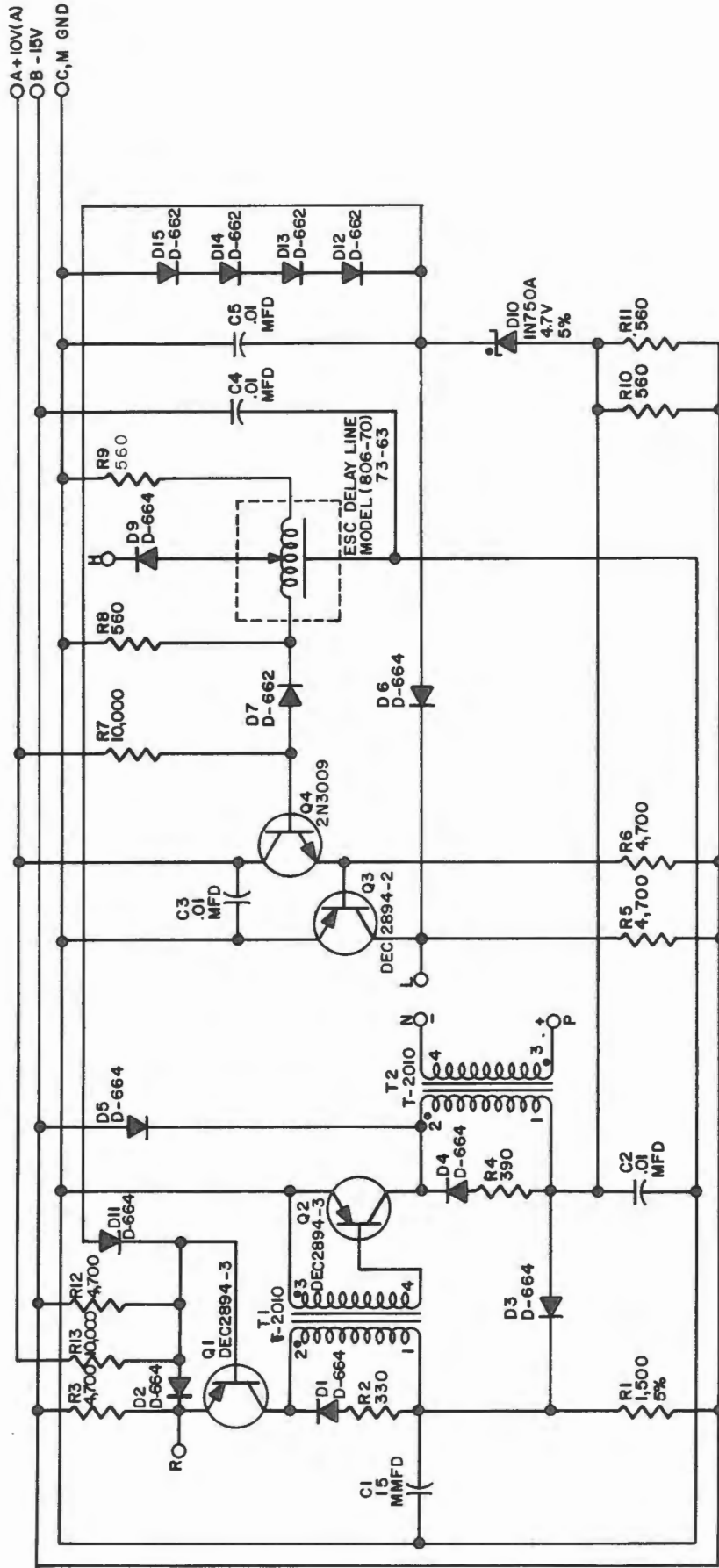


UNLESS OTHERWISE INDICATED:
 RESISTORS ARE 1/4W, 10%
 DIODES ARE D-664
 DE1 - DE4 ARE TECHNITROL, .05 usec,
 330 Ω TAPS AT .0125 usec, DD-330-5-1, 6012

REVISIONS		REV. 9 REOR	REV. 8
DAW 4748	REV. 1	REV. 9	REV. 8
CHK CHG NO	REV	REV. 9	REV. 8
DRN. H.W. PORTER		DATE 1-29-65	TRANSISTOR & DIODE CONVERSION CHART
CHK'D N. PERRYMAN	DATE 2-11-65	DEC	EIA
ENG J.C. MC KEEN	DATE 2-11-65	DEC 3639	2N3639
PROD	DATE	D664	IN3606
TITLE DELAY LINE B310		SIZE B	CODE CS
EQUIPMENT CORPORATION		NUMBER B310-0-1	REV B
MAYNARD, MASSACHUSETTS		PRINTED CIRCUIT REV A	

FORM NO. 106 102

RS-B-B360-3



UNLESS OTHERWISE INDICATED:
RESISTORS ARE 1/4W; 10%

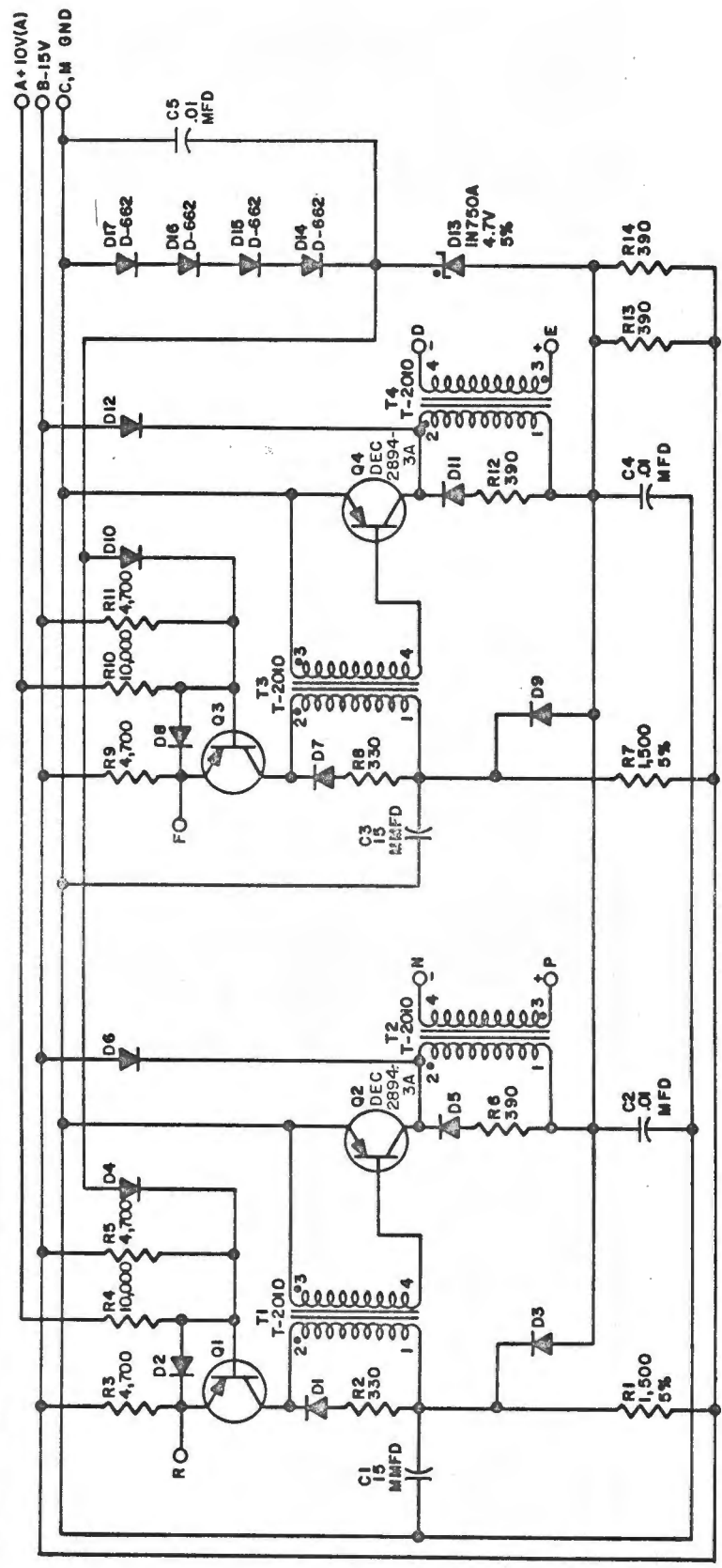
TRANSISTOR & DIODE CONVERSION CHART			NOTES
DEC	EIA	DEC	EIA
DEC2894-2	DEC2894	IN750A	IN750A
DEC2894-3	DEC2894		
2N3009	2N3009		
D-662	1N645		
D-664	1N606		

THIS SCHEMATIC IS FURNISHED ONLY FOR TEST AND MAINTENANCE PURPOSES. THE CIRCUITS ARE PROPRIETARY IN NATURE AND SHOULD BE TREATED ACCORDINGLY.
COPYRIGHT 1964 BY DIGITAL EQUIPMENT CORPORATION

D		RS-B-B360	3
DELAY WITH PULSE AMPLIFIER B360			

SIZE CODE NUMBER REV
 B CS B602-0-1 C

THIS SCHEMATIC IS FURNISHED ONLY FOR TEST AND MAINTENANCE PURPOSES. THE CIRCUITS ARE PROPRIETARY IN NATURE AND SHOULD BE TREATED ACCORDINGLY. COPYRIGHT 1964 BY DIGITAL EQUIPMENT CORPORATION



UNLESS OTHERWISE INDICATED:
 RESISTORS ARE 1/4W, 10%
 TRANSISTORS ARE DEC2894-3B
 DIODES ARE D-664

PARTS LIST A-PL-B602-0-0

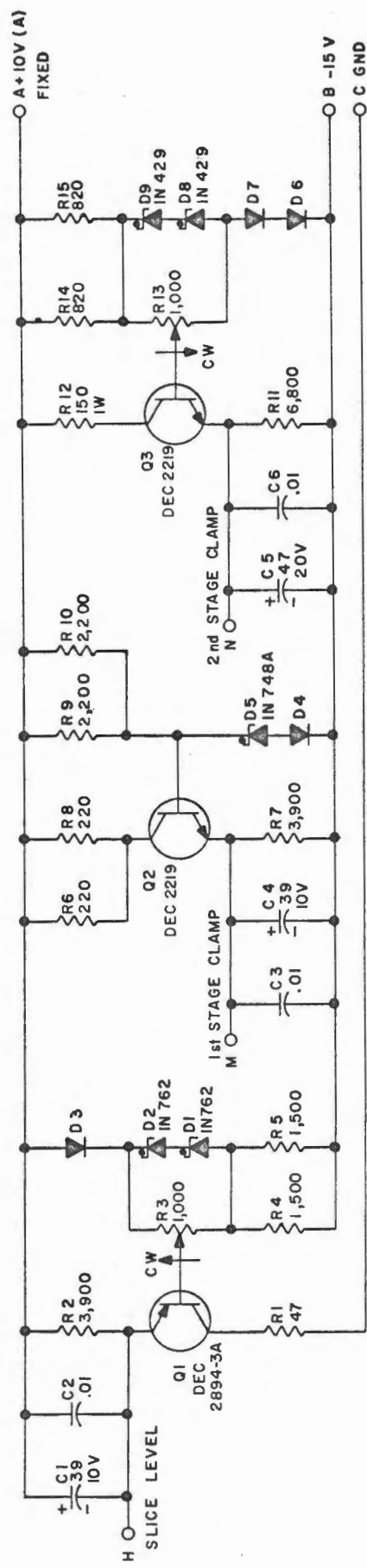
REVISIONS		DATE		DRN.		TRANSISTOR & DIODE CONVERSION CHART		TITLE	
REV	CHG NO	DATE	DRN.	CHK'D	DATE	DEC	EIA	DEC	EIA
8884		5-14-64	H. PORTER		5-14-64	DEC 2894-3A	NONE	DEC 2894-3A	NONE
5391		5-18-64	N. PERRYMAN		5-18-64	D-662	IN645	D-662	IN645
8884		5-18-64	R. DOANE		5-18-64	D-664	IN3506	D-664	IN3506
						IN750A	SAME	IN750A	SAME
						DEC2894-3B	NONE	DEC2894-3B	NONE

DEC FORM NO. DRB 102

DIGITAL EQUIPMENT CORPORATION • MAYNARD, MASSACHUSETTS

REV 3 NUMBER 1-0-8000S CS CODE B SIZE 3/71

THIS SCHEMATIC IS FURNISHED ONLY FOR TEST AND MAINTENANCE PURPOSES THE CIRCUITS ARE PROPRIETARY IN NATURE AND SHOULD BE TREATED ACCORDINGLY COPYRIGHT 1965 BY DIGITAL EQUIPMENT CORPORATION



UNLESS OTHERWISE INDICATED:
 RESISTORS ARE 1/4W, 5%
 CAPACITORS ARE MFD
 DIODES ARE D-662
 R3 & R13 ARE A #275P

NOTES: * IN429 6.2V 5%
 ** IN762 5.5V 250mw 5%

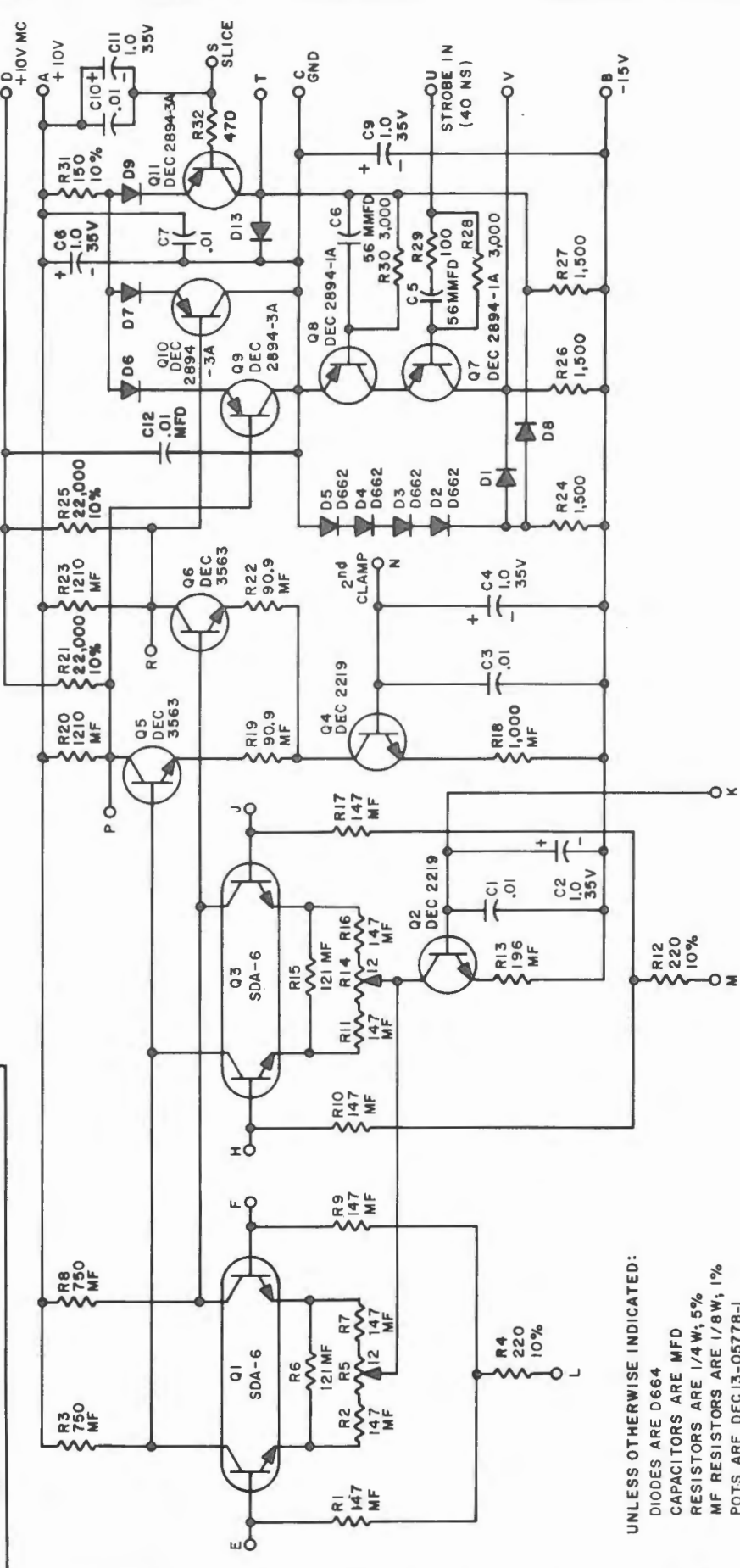
1 2 3 4 5 6 7 8 9 10 11 12 13 14 15 16 17 18 19 20 21 22 23 24 25 26 27 28 29 30 31 32 33 34 35 36 37 38 39 40 41 42 43 44 45 46 47 48 49 50 51 52 53 54 55 56 57 58 59 60 61 62 63 64 65 66 67 68 69 70 71 72 73 74 75 76 77 78 79 80 81 82 83 84 85 86 87 88 89 90 91 92 93 94 95 96 97 98 99 100

REVISIONS		DATE		TRANSISTOR & DIODE CONVERSION CHART		TITLE	
CHK	CHG NO	DATE	DATE	DEC	EIA	DEC	EIA
DAW	5108	5-3-65	5-3-65	DEC2094-3A	NONE	D662	IN645
REV	0 REDN	8-3-65	8-3-65	DEC2219	2N2219	IN429	N SAME
REV	0887	4-21-65	4-21-65	IN762	N SAME	IN762	N SAME
REV	0887			IN748A	IN748A		

MASTER SLICE CONTROL 6008	
SIZE	CODE
B	CS
NUMBER	NUMBER
6008-0-1	C
PRINTED CIRCUIT REV	REV
B	C

REV. C NUMBER 1-0-6009 SIZE CODE B

THIS SCHEMATIC IS FURNISHED ONLY FOR TEST AND MAINTENANCE PURPOSES. THE CIRCUITS ARE PROPRIETARY IN NATURE AND SHOULD BE TREATED ACCORDINGLY. COPYRIGHT 1966 BY DIGITAL EQUIPMENT CORPORATION



UNLESS OTHERWISE INDICATED:
 DIODES ARE D664
 CAPACITORS ARE MFD
 RESISTORS ARE 1/4W, 5%
 MF RESISTORS ARE 1/8W, 1%
 POTS ARE DEC13-05778-1

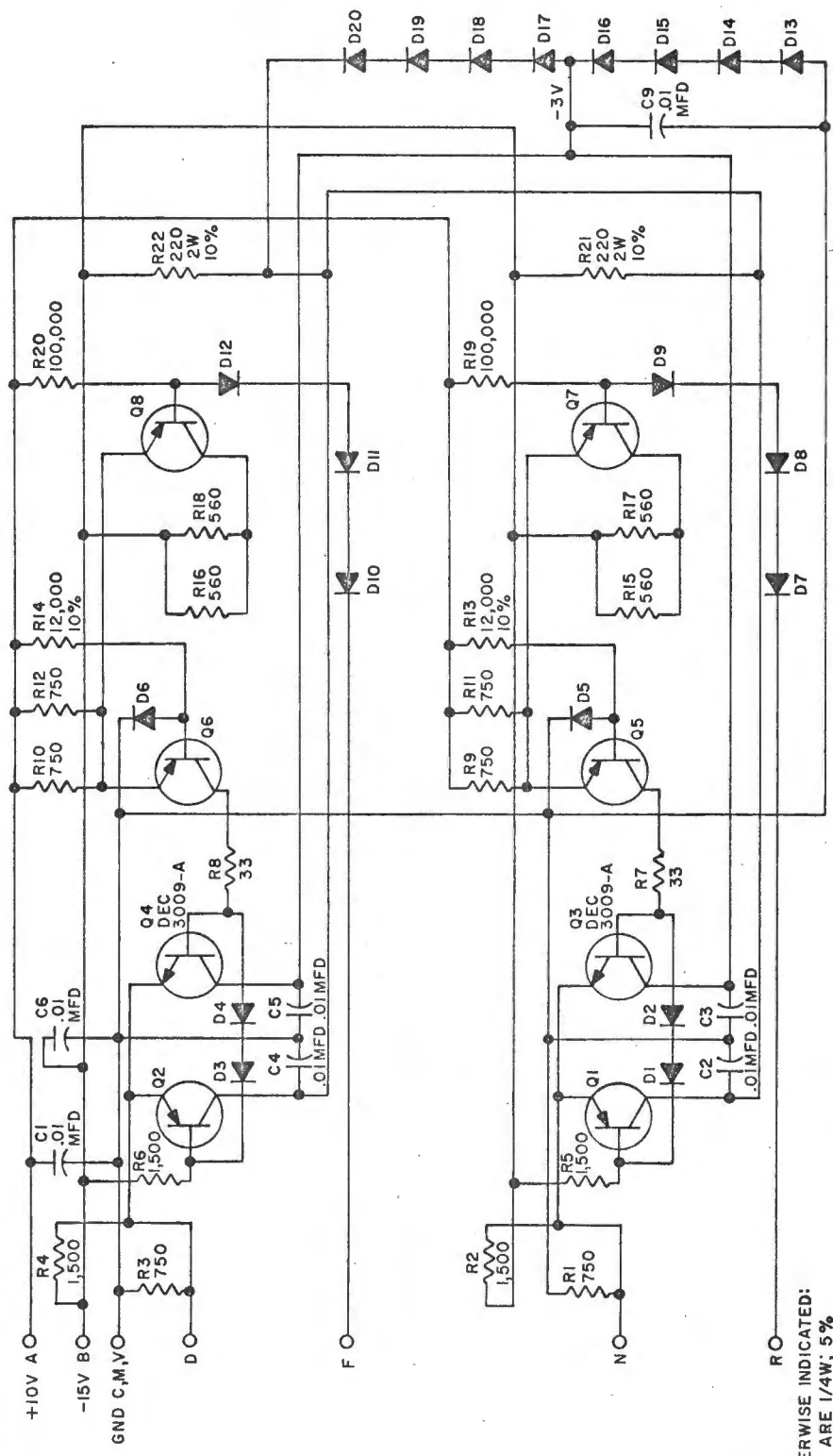
REV. C		NUMBER 1-0-6009		SIZE CODE B	
CHG NO. 5947		CHG NO. 5972		REV. C	
DATE 3/2/66		DATE 4/6/66		DATE 11/6/66	
CHK'D <i>[Signature]</i>		ENGR <i>[Signature]</i>		PROD. <i>[Signature]</i>	
DRN. <i>[Signature]</i>		DATE 3/2/66		DATE 4/6/66	

TRANSISTOR & DIODE CONVERSION CHART		
DEC	EIA	EIA
SDA-6	2N2060	D662
DEC 2219	2N2219	D664
DEC 2894-3A	NONE	
DEC 2894-1A	NONE	
DEC 3563	2N3563	

TITLE 2 INPUT SENSE AMPLIFIER 009	
SIZE CODE B	NUMBER CS
REV. C	NUMBER 6009-0-1
PRINTED CIRCUIT REV. B	

V 1-O-010G SC 8
 REV NUMBER SIZE
 CODE 3715

THIS SCHEMATIC IS FURNISHED ONLY FOR TEST AND MAINTENANCE PURPOSES. THE CIRCUITS ARE PROPRIETARY IN NATURE AND SHOULD BE TREATED ACCORDINGLY. COPYRIGHT 1966 BY DIGITAL EQUIPMENT CORPORATION



UNLESS OTHERWISE INDICATED:
 RESISTORS ARE 1/4W; 5%
 DIODES ARE D662
 TRANSISTORS ARE DEC2894-3A

REV	NO	DATE	BY	CHKD	APP'D
A	1	5/14/66			
B	2				
C	3				
D	4				
E	5				
F	6				
G	7				
H	8				
I	9				
J	10				

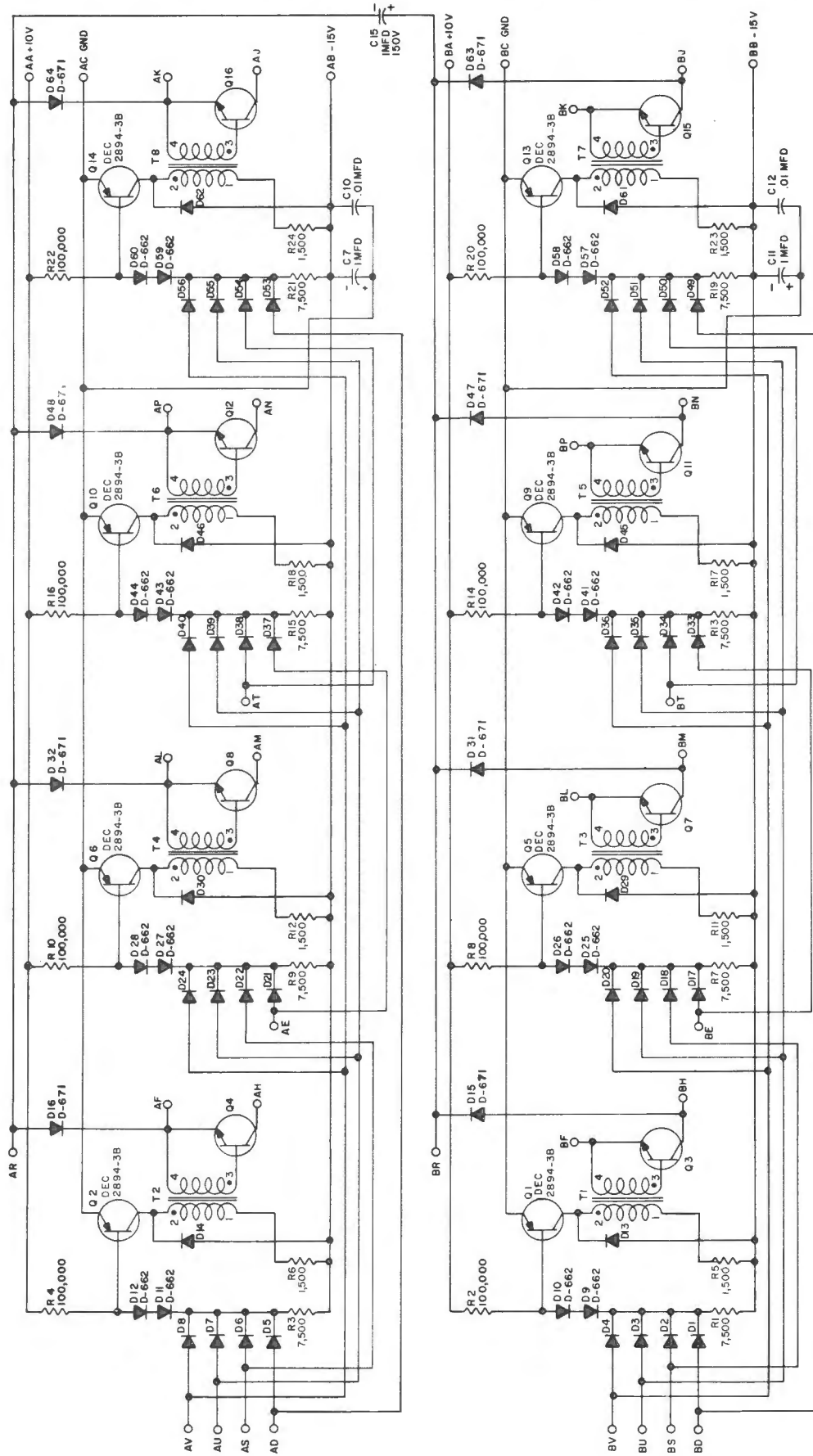
DATE	DATE	DATE	DATE
5/14/66	5/14/66	5/14/66	5/14/66

DEC	EIA	DEC	FIA
DEC2894-3A	NONE		
DEC3009-A	2N3009		
D662	1N645		

Digital
 EQUIPMENT CORPORATION
 MAYNARD, MASSACHUSETTS

TITLE SENSE AMP
 SELECTOR G010
 SIZE B CODE CS
 NUMBER G010-0-1
 REV A
 PRINTED CIRCUIT REV A

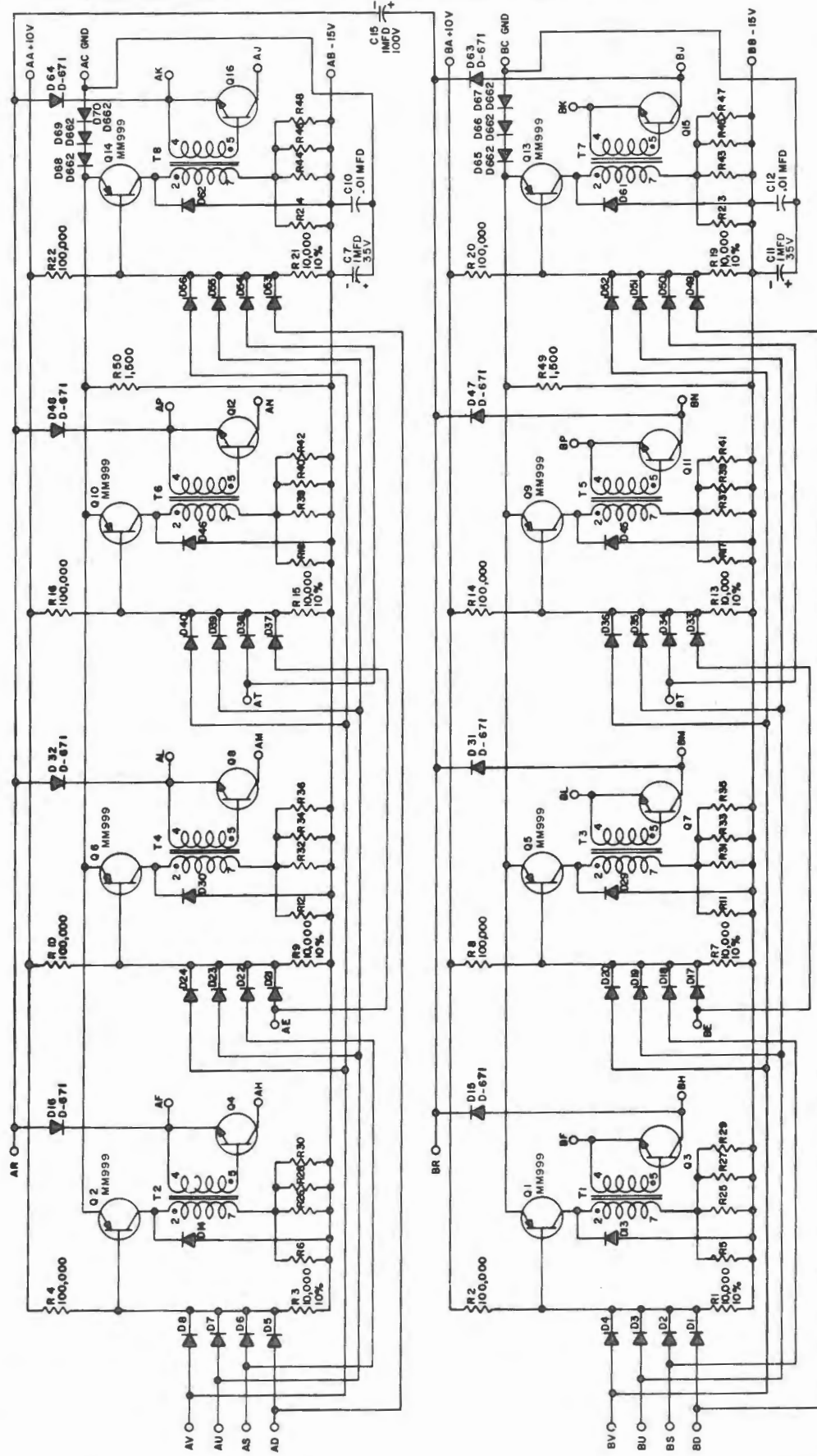
THIS SCHEMATIC IS FURNISHED ONLY FOR TEST AND MAINTENANCE PURPOSES. THE CIRCUITS ARE PROPRIETARY IN NATURE AND SHOULD BE TREATED ACCORDINGLY. COPYRIGHT 1966 BY DIGITAL EQUIPMENT CORPORATION



UNLESS OTHERWISE INDICATED:
 TRANSFORMERS ARE T-2017
 TRANSISTORS ARE DEC 3009A
 RESISTORS ARE 1/4 W, 5%
 DIODES ARE D-664

REV	B	NUMBER	G210-0-1	CS	SIZE	CS	CODE	CS	REV	B																																										
<table border="1"> <tr> <td>REVISIONS</td> <td>CHG NO</td> <td>REV</td> <td>DATE</td> <td>BY</td> <td>CHK</td> </tr> <tr> <td>544</td> <td></td> <td></td> <td></td> <td></td> <td></td> </tr> <tr> <td>544</td> <td></td> <td></td> <td></td> <td></td> <td></td> </tr> </table>											REVISIONS	CHG NO	REV	DATE	BY	CHK	544						544																													
REVISIONS	CHG NO	REV	DATE	BY	CHK																																															
544																																																				
544																																																				
<table border="1"> <tr> <td>DATE</td> <td>DATE</td> <td>DATE</td> <td>DATE</td> <td>DATE</td> <td>DATE</td> </tr> <tr> <td>1/1/66</td> <td>1/1/66</td> <td>1/1/66</td> <td>1/1/66</td> <td>1/1/66</td> <td>1/1/66</td> </tr> <tr> <td>ENG</td> <td>DES</td> <td>CHK</td> <td>APP</td> <td>PROJ</td> <td>DATE</td> </tr> <tr> <td>DEC2894-3B</td> <td>D662</td> <td>D662</td> <td>D662</td> <td>D662</td> <td>D662</td> </tr> <tr> <td>2N3009</td> <td>D662</td> <td>D662</td> <td>D662</td> <td>D662</td> <td>D662</td> </tr> <tr> <td>2N3009</td> <td>D662</td> <td>D662</td> <td>D662</td> <td>D662</td> <td>D662</td> </tr> <tr> <td>2N3009</td> <td>D662</td> <td>D662</td> <td>D662</td> <td>D662</td> <td>D662</td> </tr> </table>											DATE	DATE	DATE	DATE	DATE	DATE	1/1/66	1/1/66	1/1/66	1/1/66	1/1/66	1/1/66	ENG	DES	CHK	APP	PROJ	DATE	DEC2894-3B	D662	D662	D662	D662	D662	2N3009	D662	D662	D662	D662	D662	2N3009	D662	D662	D662	D662	D662	2N3009	D662	D662	D662	D662	D662
DATE	DATE	DATE	DATE	DATE	DATE																																															
1/1/66	1/1/66	1/1/66	1/1/66	1/1/66	1/1/66																																															
ENG	DES	CHK	APP	PROJ	DATE																																															
DEC2894-3B	D662	D662	D662	D662	D662																																															
2N3009	D662	D662	D662	D662	D662																																															
2N3009	D662	D662	D662	D662	D662																																															
2N3009	D662	D662	D662	D662	D662																																															
<table border="1"> <tr> <td colspan="3">TRANSISTOR & DIODE CONVERSION CHART</td> <td colspan="3">TITLE</td> </tr> <tr> <td>DEC</td> <td>EIA</td> <td>DEC</td> <td colspan="3">CONTROL DRIVER G210</td> </tr> <tr> <td>DEC3009A</td> <td>2N3009</td> <td>DEC</td> <td colspan="3">MEMORY DRIVER G210</td> </tr> <tr> <td>DEC2894-3B</td> <td>NONE</td> <td>DEC</td> <td colspan="3">EQUIPMENT NUMBER</td> </tr> <tr> <td>D662</td> <td>IN645</td> <td>DEC</td> <td colspan="3">CS G210-0-1</td> </tr> <tr> <td>D662</td> <td>IN3606</td> <td>DEC</td> <td colspan="3">PRINTED CIRCUIT REV.</td> </tr> <tr> <td>D662</td> <td>IN3653</td> <td>DEC</td> <td colspan="3">A</td> </tr> </table>											TRANSISTOR & DIODE CONVERSION CHART			TITLE			DEC	EIA	DEC	CONTROL DRIVER G210			DEC3009A	2N3009	DEC	MEMORY DRIVER G210			DEC2894-3B	NONE	DEC	EQUIPMENT NUMBER			D662	IN645	DEC	CS G210-0-1			D662	IN3606	DEC	PRINTED CIRCUIT REV.			D662	IN3653	DEC	A		
TRANSISTOR & DIODE CONVERSION CHART			TITLE																																																	
DEC	EIA	DEC	CONTROL DRIVER G210																																																	
DEC3009A	2N3009	DEC	MEMORY DRIVER G210																																																	
DEC2894-3B	NONE	DEC	EQUIPMENT NUMBER																																																	
D662	IN645	DEC	CS G210-0-1																																																	
D662	IN3606	DEC	PRINTED CIRCUIT REV.																																																	
D662	IN3653	DEC	A																																																	
<p>DIGITAL EQUIPMENT CORPORATION • MAYNARD, MASSACHUSETTS</p>																																																				

THIS SCHEMATIC IS FURNISHED ONLY FOR TEST AND MAINTENANCE PURPOSES. THE CIRCUITS ARE PROPRIETARY IN NATURE AND SHOULD BE TREATED ACCORDINGLY. COPYRIGHT 1968 BY DIGITAL EQUIPMENT CORPORATION



UNLESS OTHERWISE INDICATED:
 TRANSFORMERS ARE T-2071
 TRANSISTORS ARE DEC 1008
 RESISTORS ARE 1/4 W, 5%
 DIODES ARE D-664
 RESISTORS ARE 1/200, 1/4 W, 10%

PARTS LIST A-PL-6219-0-0

USE THE ETCH BOARD OF THE G209

SIZE CODE G219-0-1
 CS NUMBER
 REV L

REVISIONS		CHK	CHG	NO	REV
1	5280				
2	5245				
3	5280				
4	5358				
5	6084				
6	6271				
7	6289				
8	6298				
9	6298				
10	6298				
11	6298				
12	6298				
13	6298				
14	6298				
15	6298				
16	6298				
17	6298				
18	6298				
19	6298				
20	6298				
21	6298				
22	6298				
23	6298				
24	6298				
25	6298				
26	6298				
27	6298				
28	6298				
29	6298				
30	6298				
31	6298				
32	6298				
33	6298				
34	6298				
35	6298				
36	6298				
37	6298				
38	6298				
39	6298				
40	6298				
41	6298				
42	6298				
43	6298				
44	6298				
45	6298				
46	6298				
47	6298				
48	6298				
49	6298				
50	6298				
51	6298				
52	6298				
53	6298				
54	6298				
55	6298				
56	6298				
57	6298				
58	6298				
59	6298				
60	6298				
61	6298				
62	6298				
63	6298				
64	6298				
65	6298				
66	6298				
67	6298				
68	6298				
69	6298				
70	6298				
71	6298				
72	6298				
73	6298				
74	6298				
75	6298				
76	6298				
77	6298				
78	6298				
79	6298				
80	6298				
81	6298				
82	6298				
83	6298				
84	6298				
85	6298				
86	6298				
87	6298				
88	6298				
89	6298				
90	6298				
91	6298				
92	6298				
93	6298				
94	6298				
95	6298				
96	6298				
97	6298				
98	6298				
99	6298				
100	6298				

DATE: 12/16/68
 BY: [Signature]
 CHECKED: [Signature]
 DATE: 12/16/68
 BY: [Signature]
 DATE: 12/16/68
 BY: [Signature]

TRANSISTOR & DIODE CONVERSION CHART

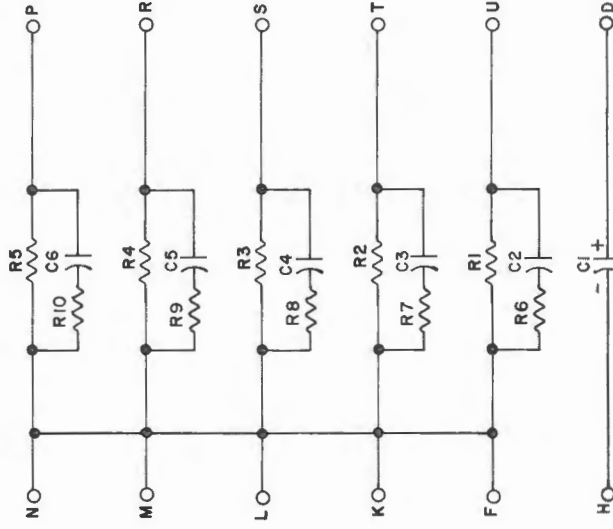
DEC	EIA	DEC	EIA
MM1008	MM1008	DEC1008	DEC1008
MM999	MM999	MM999	MM999
IN644	IN644	IN644	IN644
IN506	IN506	IN506	IN506
IN395	IN395	IN395	IN395

TITLE: MEMORY SELECTOR G29
 SIZE CODE: G219-0-1
 NUMBER: [Blank]
 REV: L
 PRINTED CIRCUIT REV: E
 DATE: 12/16/68

DIGITAL EQUIPMENT CORPORATION • MAYNARD, MASSACHUSETTS

SIZE	CODE	NUMBER	REV.
B	CS	6622-0-1	D

THIS SCHEMATIC IS FURNISHED ONLY FOR TEST AND MAINTENANCE PURPOSES. THE CIRCUITS ARE PROPRIETARY IN NATURE AND SHOULD BE TREATED ACCORDINGLY. COPYRIGHT 1966 BY DIGITAL EQUIPMENT CORPORATION



R6 - R10	RES. 47 1/4W 10% CC	1300204
R1 - R5	RES. 56 10W 1% WW	1305396
C2 - C6	CAP. 470 MMF 100V 5% DLML	1000024
CI	CAP. 20MFD 50V -10+75%ELECT	1002839
	PARTS LIST	A-PL-6622-0-0

REFERENCE DESIGNATION	DESCRIPTION	PART NO.
-----------------------	-------------	----------

PARTS LIST		
TITLE		
digital RESISTOR BOARD G622		
EQUIPMENT		
SIZE	CODE	NUMBER
B	CS	6622-0-1
PRINTED CIRCUIT REV.		D
DATE: 3/24/64		7/23/64

TRANSISTOR & DIODE CONVERSION CHART	
DEC	EIA

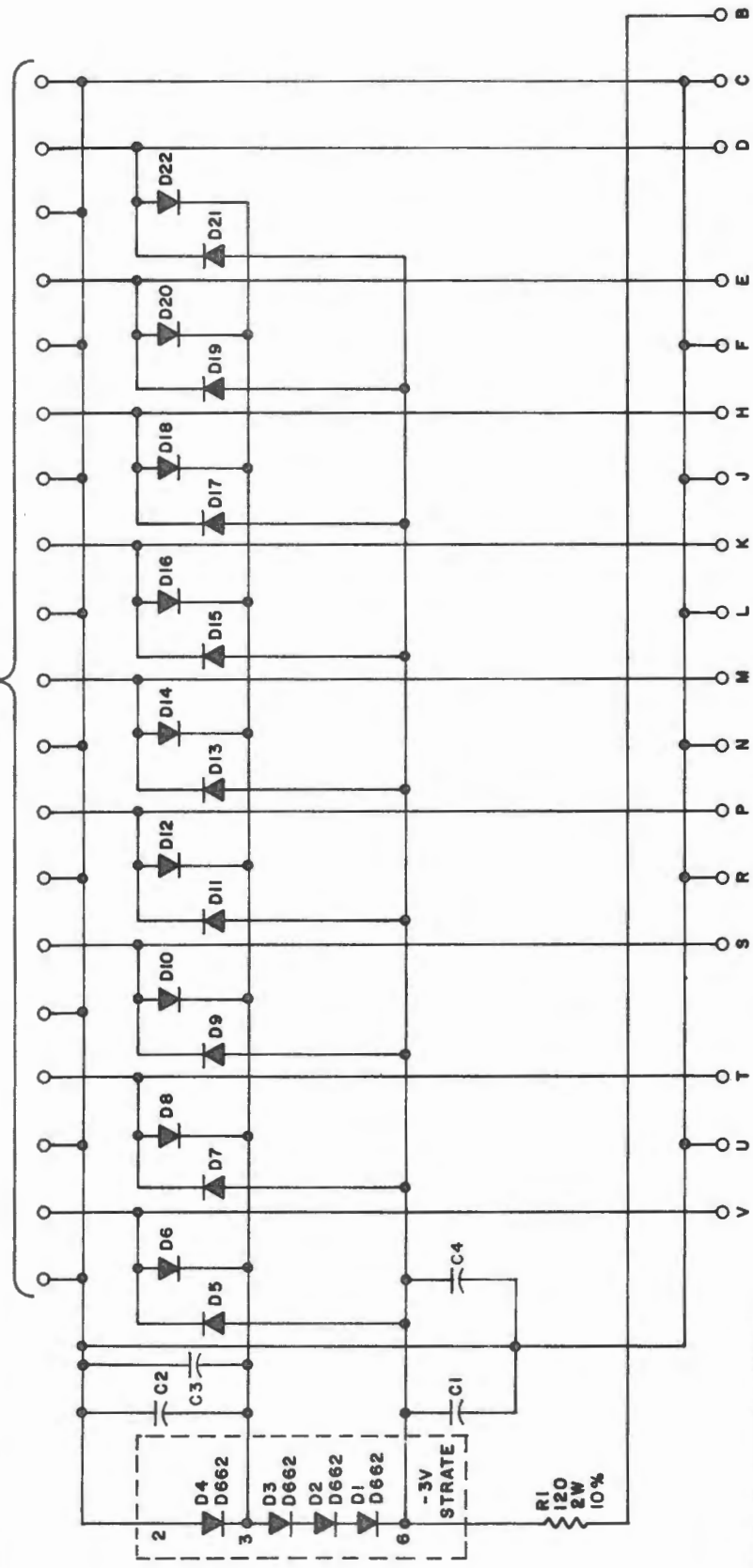
DRN.	DATE
M. W. ...	8-20-64
CHKD.	DATE
...	9/17/64
APP. Huo...	DATE
...	11/5/64
PROD.	2

REVISIONS	
CHG NO.	REV.
5595	B
5598	C
6336	D

REV. A NUMBER 1-0-9679 CS B SIZE

THIS SCHEMATIC IS FURNISHED ONLY FOR TEST AND MAINTENANCE PURPOSES. THE CIRCUITS ARE PROPRIETARY IN NATURE AND SHOULD BE TREATED ACCORDINGLY. COPYRIGHT 1967 BY DIGITAL EQUIPMENT CORPORATION

FLEX PRINT



UNLESS OTHERWISE INDICATED:
 DIODES ARE D664
 CAPACITORS ARE .01 MFD, 50V

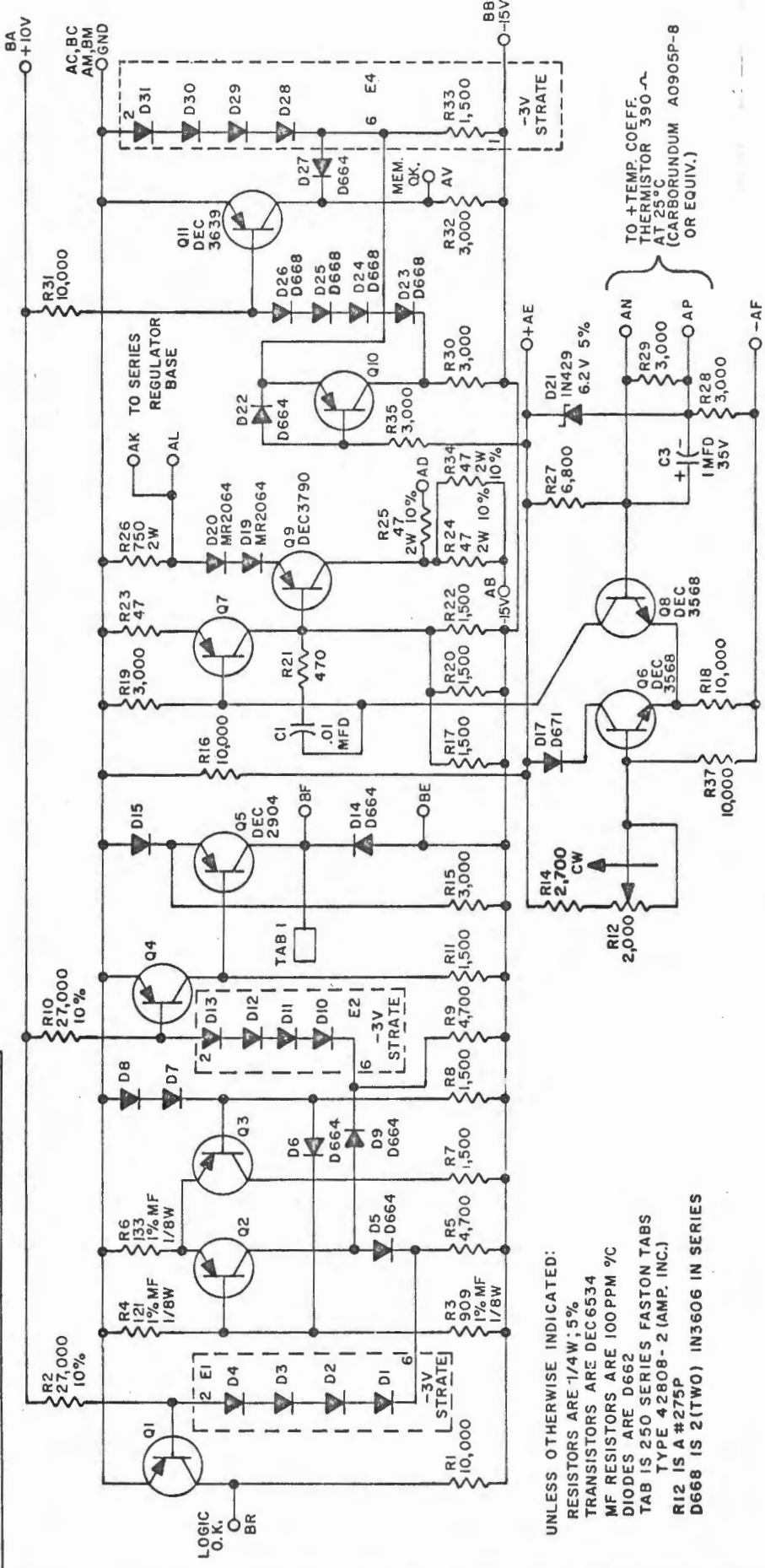
1 2 3 4 5 6 7 8 9 10 11 12 13 14 15 16 17 18 19 20 21 22

REVISIONS	CHK NO. 6145	REV. A
DRN. M. Baller	DATE 2-14-67	
CHK'D	DATE 2/19/67	
ENG. D. French	DATE 2/29/67	
PROD.		
DEC 0662	EIA IN645	
DEC 0664	EIA IN3506	
TRANSISTOR & DIODE CONVERSION CHART	DEC	EIA
	DEC	EIA
TITLE CABLE TERMINATOR G795		
SIZE B	CODE CS	NUMBER 6795-0-1
PRINTED CIRCUIT REV. D		REV. A

DEC FORM NO. DRB 102

SIZE CODE NUMBER
 B CS 6804-0-1
 E A3H

THIS SCHEMATIC IS FURNISHED ONLY FOR TEST AND MAINTENANCE PURPOSES. THE CIRCUITS ARE PROPRIETARY IN NATURE AND SHOULD BE TREATED ACCORDINGLY.
 ©-HIGH-T1966 BY DIGITAL EQUIPMENT CORPORATION



UNLESS OTHERWISE INDICATED:
 RESISTORS ARE 1/4W; 5%
 TRANSISTORS ARE DEC 6534
 MF RESISTORS ARE 100PPM %C
 DIODES ARE D662
 TAB IS 250 SERIES FASTON TABS
 TYPE 42808-2 (AMP. INC.)
 R12 IS A #275P
 D668 IS 2(TWO) IN3606 IN SERIES

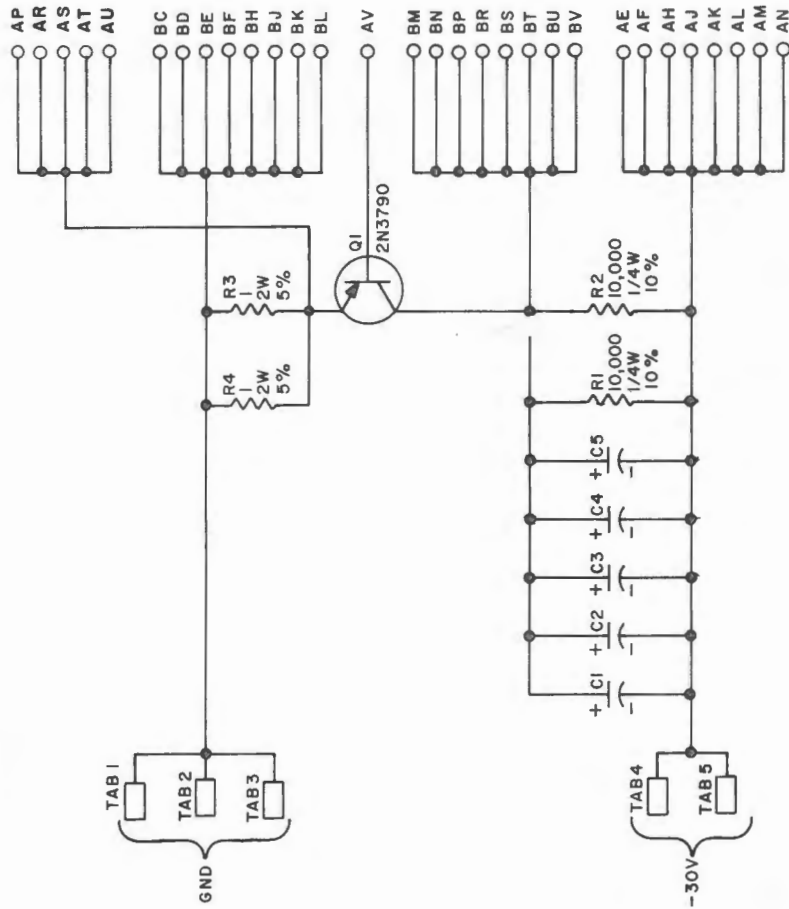
REVISIONS		DRN.		DATE		TRANSISTOR & DIODE CONVERSION CHART				TITLE	
NO.	DATE	CHK'D	DATE	UIC	LIA	DEC	FIA	SILC	CODE	NUMBER	REV
1				DEC2904	2N1132	D662	IN645	B	CS	G804-0-1	E
2				DEC3568	2N3568	D664	IN3606				
3				DEC3639	2N3639	D671	IN3653				
4				DEC3790	2N3790	IN429	SAME				
5				DEC6534	MPS6534	MR2064	SAME				

CONTROL FOR G805 G804

DIGITAL EQUIPMENT CORPORATION • MAYNARD, MASSACHUSETTS

SIZE CODE B CS 6805-0-1 NUMBER REV E

THIS SCHEMATIC IS FURNISHED ONLY FOR TEST AND MAINTENANCE PURPOSES. THE CIRCUITS ARE PROPRIETARY IN NATURE AND SHOULD BE TREATED ACCORDINGLY. COPYRIGHT 1966 BY DIGITAL EQUIPMENT CORPORATION



UNLESS OTHERWISE INDICATED:
 CAPACITORS ARE 20MFD 50V
 TABS ARE 250 SERIES FASTON TABS TYPE 60465-2 (AMP INC)
 Q1 IS MOUNTED ON HEAT SINK, WAKEFIELD TYPE NC-623-A USING AN ANODIZED ALUMINUM INSULATING WASHER & WAKEFIELD TYPE 120 THERMAL JOINT COMPOUND



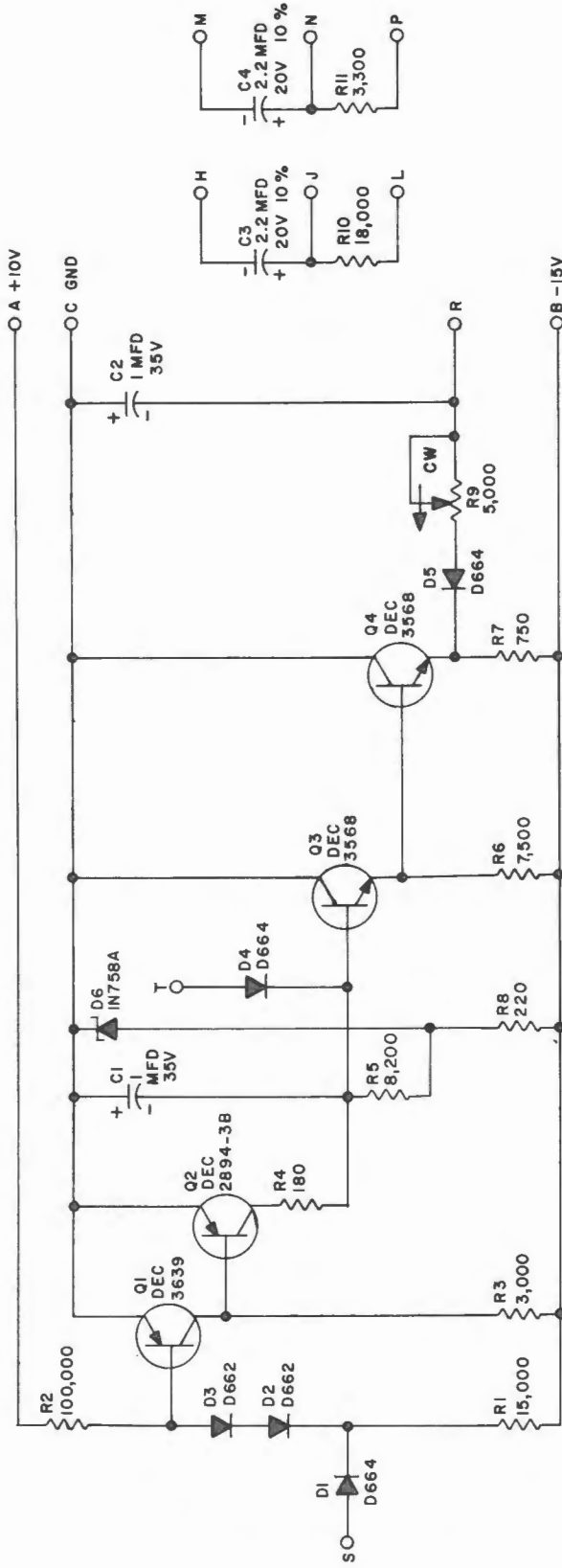
REVISIONS		DATE		DATE		DATE		DATE		DATE	
CHK	5902	DRN	8-11-66	CHK'D	8-11-66	DATE	8-11-66	DATE	8-11-66	DATE	8-11-66
REV	6468	PROD.		DATE		DATE		DATE		DATE	
TRANSISTOR & DIODE CONVERSION CHART		EIA		EIA		EIA		EIA		EIA	
2N3790		SAME		SAME		SAME		SAME		SAME	
TITLE: NEGATIVE REGULATOR G805											
SIZE CODE NUMBER											
B CS 6805-0-1											
REV. E											
PRINTED CIRCUIT REV. E											
digital EQUIPMENT CORPORATION MAYNARD, MASSACHUSETTS											

DIGITAL EQUIPMENT CORPORATION • MAYNARD, MASSACHUSETTS

DEC FORM NO. DRB 102

REV. F
 NUMBER 1-0-6069
 SO 300 325

THIS SCHEMATIC IS FURNISHED ONLY FOR TEST AND MAINTENANCE PURPOSES. THE CIRCUITS ARE PROPRIETARY IN NATURE AND SHOULD BE TREATED ACCORDINGLY. COPYRIGHT 1966 BY DIGITAL EQUIPMENT CORPORATION



UNLESS OTHERWISE INDICATED:
 RESISTORS ARE 1/4W; 5%
 R9 IS A #275P

PARTS LIST A-PL-6903-0-0

REVISIONS		DRN.		DATE		TRANSISTOR & DIODE CONVERSION CHART				TITLE					
CHK	CHG NO.	REV	CHK'D	DATE	DATE	DEC	EIA	DEC	EIA	digital	EQUIPMENT	SIZE	CODE	NUMBER	REV.
5678	5373	A			3-2-66	DEC 2894-3B	NONE	IN758A	SAME		CORPORATION	B	CS	G903-0-1	F
5743		C			3-12-66	DEC 3568	2N3568	DEC 3568			MAYNARD, MASSACHUSETTS				
6883		M			3-18-66	DEC 3639	2N3639	D662	IN640						
6876		T				D664	IN3606	D664	IN3606						

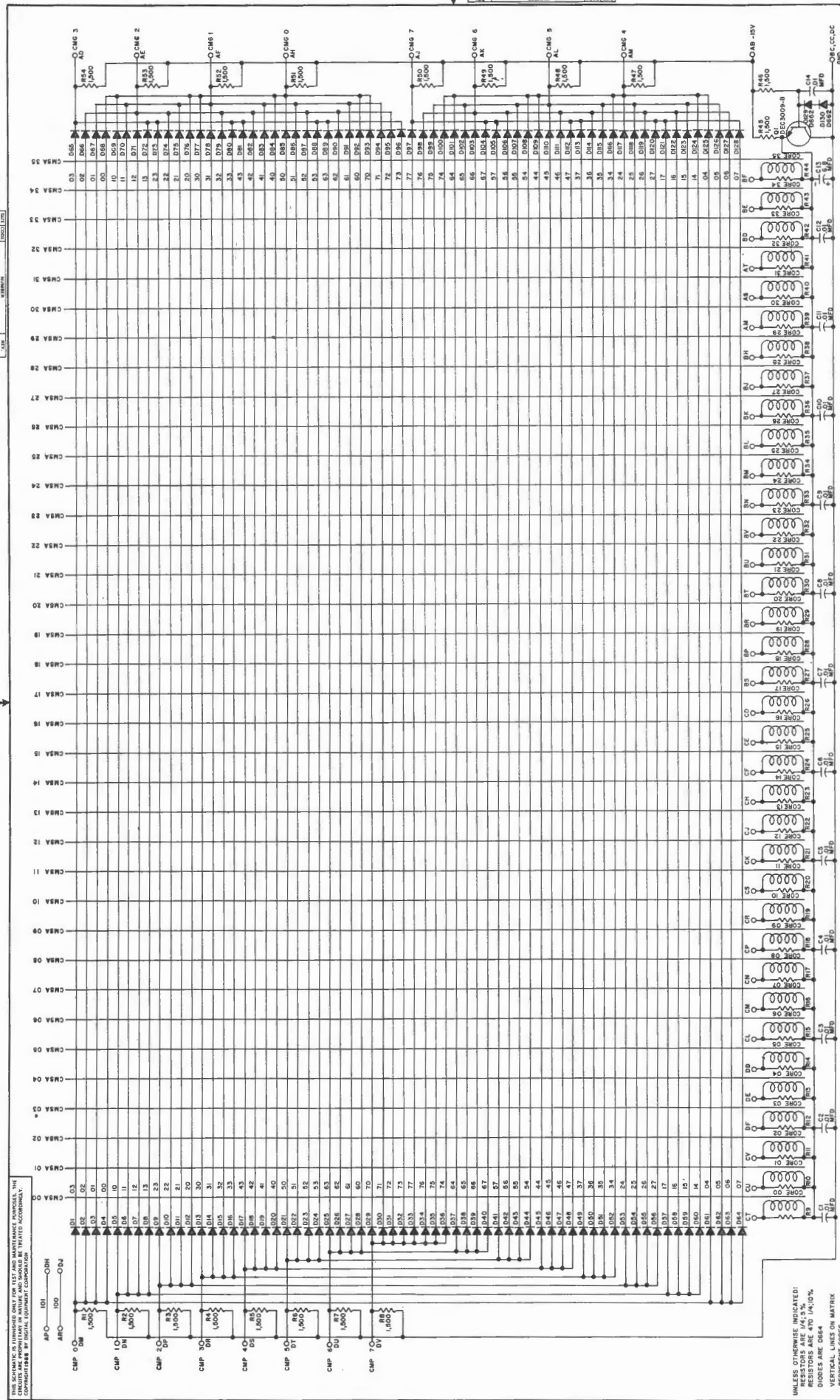
DEC FORM NO. DRB 102

DIST. 324 434 435

PINK

DIGITAL EQUIPMENT CORPORATION • MAYNARD, MASSACHUSETTS

REV. 10-0885 13 OF 13



THIS SCHEMATIC IS FURNISHED ONLY FOR TEST AND MAINTENANCE PURPOSES. THE INFORMATION CONTAINED HEREIN IS UNCLASSIFIED AND IS NOT TO BE RELEASED OR DISSEMINATED IN ANY MANNER WITHOUT THE EXPRESS WRITTEN PERMISSION OF DIGITAL EQUIPMENT CORPORATION.

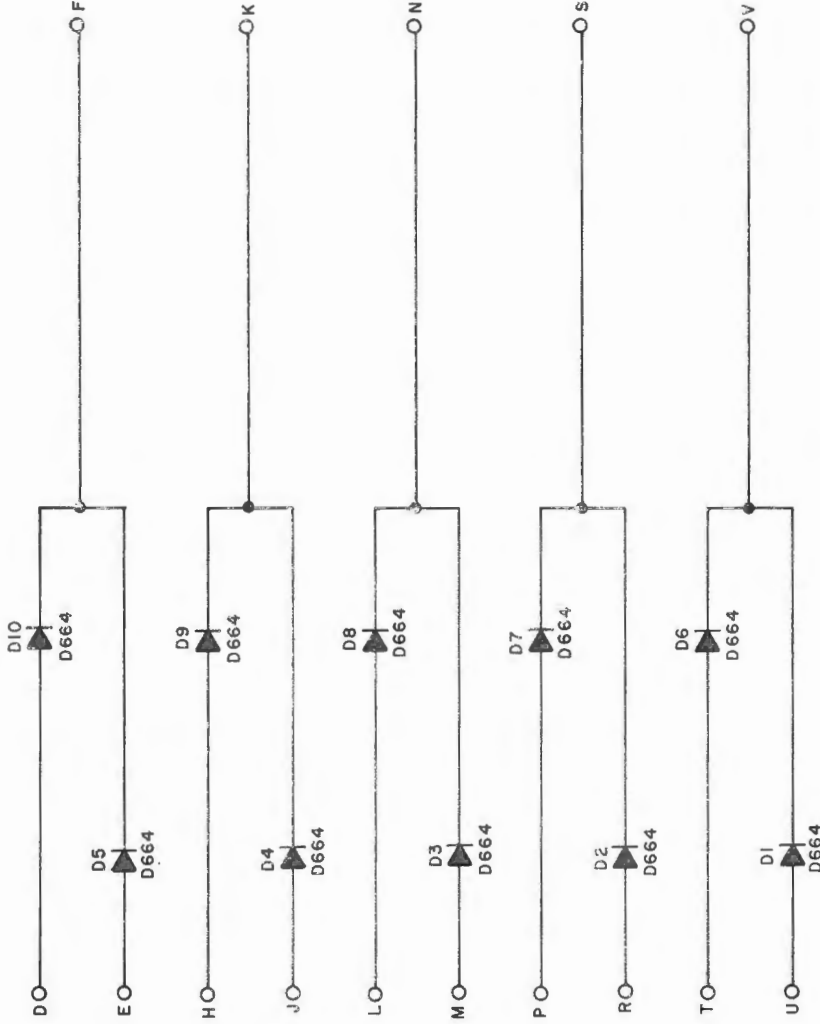
UNLESS OTHERWISE INDICATED:
RESISTORS ARE 1/4W, 5%
CAPACITORS ARE 50V, 10%
VERTICAL LINES ON MATRIX
REPRESENT CORES

SENSE Y WINDING IS THIN
CORES ARE C CORES INDIANA GENERAL
CF-303 MATERIAL 01

TITLE		CONTROL MEMORY 6920	
REV.	DATE	REV.	DATE
1	10-0885	1	10-0885
DRAWN BY		CHECKED BY	
DESIGNED BY		APPROVED BY	
ELECTRICIAN		ELECTRICIAN	
MATERIALS		MATERIALS	
REVISIONS		REVISIONS	
1		1	

REV.	NUMBER	SIZE
A	R002-0-1	B
		CS

THIS SCHEMATIC IS FURNISHED ONLY FOR TEST AND MAINTENANCE PURPOSES. THE CIRCUITS ARE PROPRIETARY IN NATURE AND SHOULD BE TREATED ACCORDINGLY. COPYRIGHT 1964 BY DIGITAL EQUIPMENT CORPORATION



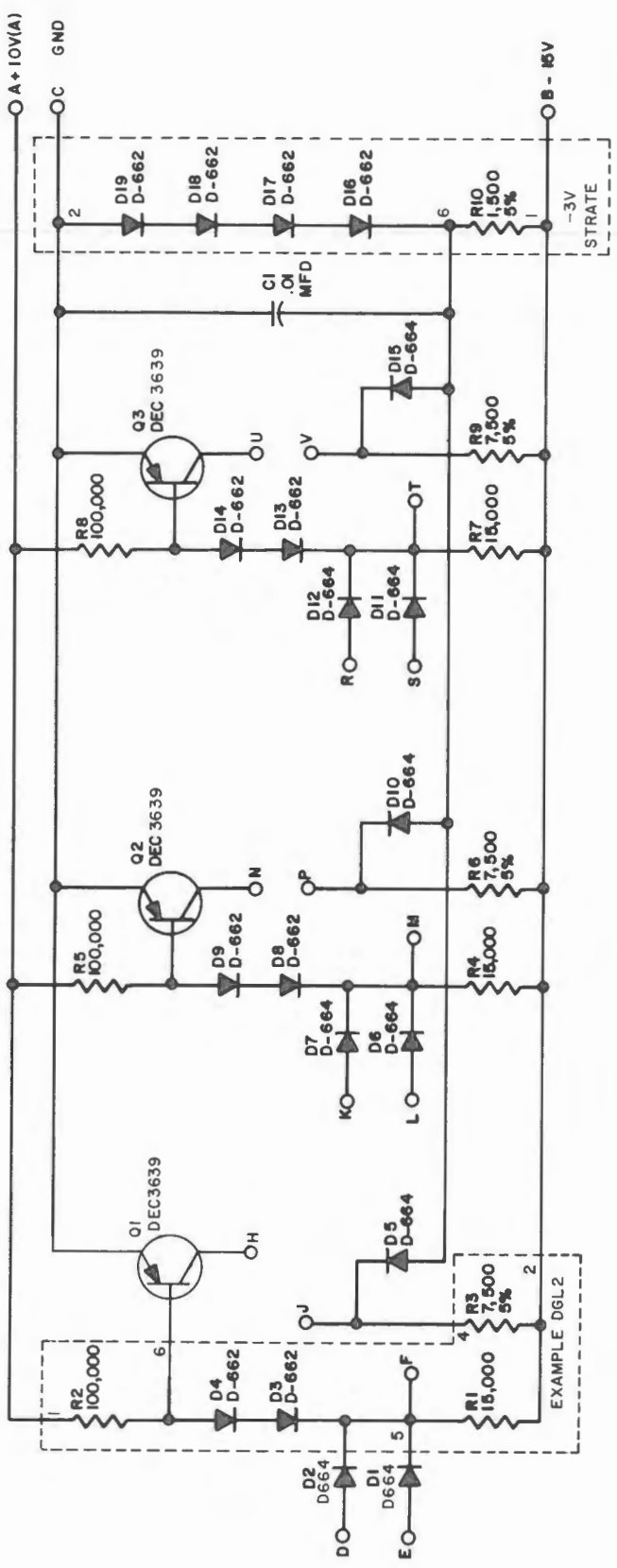
REVISIONS CHK CHG NO. REV REDR. 5537 A	DRN H. PORTER DATE 5-21-64 CHK'D N. PERRYMAN DATE 5-23-64 ENG. R. BANK DATE 5-25-64 PROD. DATE		TRANSISTOR & DIODE CONVERSION CHART DEC D664 EIA IN3606 DEC EIA		digital EQUIPMENT CORPORATION MAYNARD, MASSACHUSETTS	TITLE DIODE CLUSTER R002	
	SIZE CODE NUMBER B CS R002-0-1		PRINTED CIRCUIT REV. B			REV A	

DEC FORM NO. DRB 102

DIGITAL EQUIPMENT CORPORATION • MAYNARD, MASSACHUSETTS

SIZE CODE NUMBER REV
 B CS RIII-O-1 F

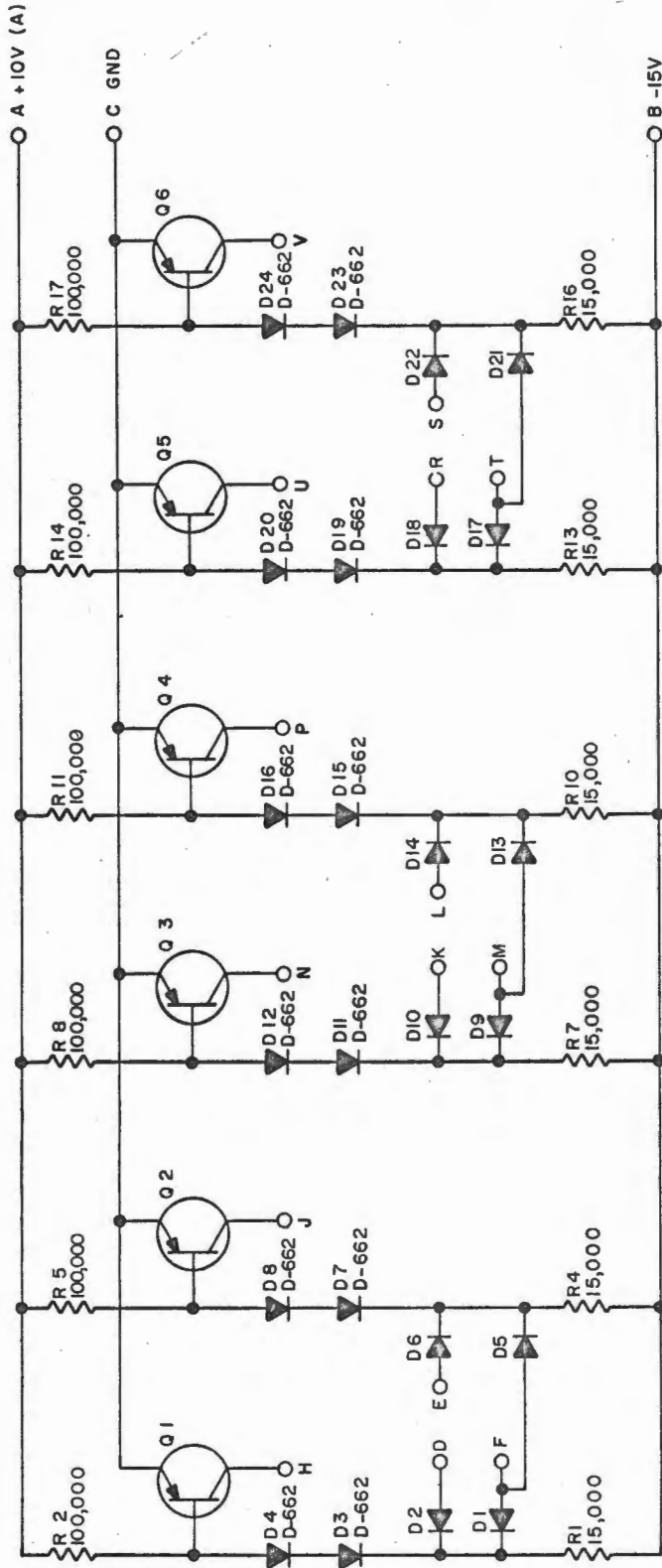
THIS SCHEMATIC IS FURNISHED ONLY FOR TEST AND MAINTENANCE PURPOSES. THE CIRCUITS ARE PROPRIETARY IN NATURE AND SHOULD BE TREATED ACCORDINGLY. COPYRIGHT 1964 BY DIGITAL EQUIPMENT CORPORATION.



UNLESS OTHERWISE INDICATED:
 RESISTORS ARE 1/4W; 5%
 PRINTED CIRCUIT REV. FOR
 DGL BOARD IS SIB

REVISIONS		DRN	DATE	TRANSISTOR & DIODE CONVERSION CHART			TITLE	
1	DWG 4756	H PORTER	5-15-64	DEC	EIA	EIA	DIODE GATE RIII	
2	REV 8 REDR.	CHK'D N PERRYMAN	5-25-64	DEC3639	2N3639		SIZE CODE	NUMBER
3	CHK CHG NO. REV	ENG. R. BANK	5-25-64	D662	IN645		B CS	RIII-O-1
4	REV 8 REDR.	PROD.	5-25-64	D664	IN3606		PRINTED CIRCUIT REV.	D E F
5	REV 5378							
6	REV 5459							
7	REV 6334							
		DEC FORM NO DRB 102						REV F

RS-B-R123-1



UNLESS OTHERWISE INDICATED:
 TRANSISTORS ARE DEC 3639-0
 RESISTORS ARE 1/4W, 5%
 DIODES ARE D-664

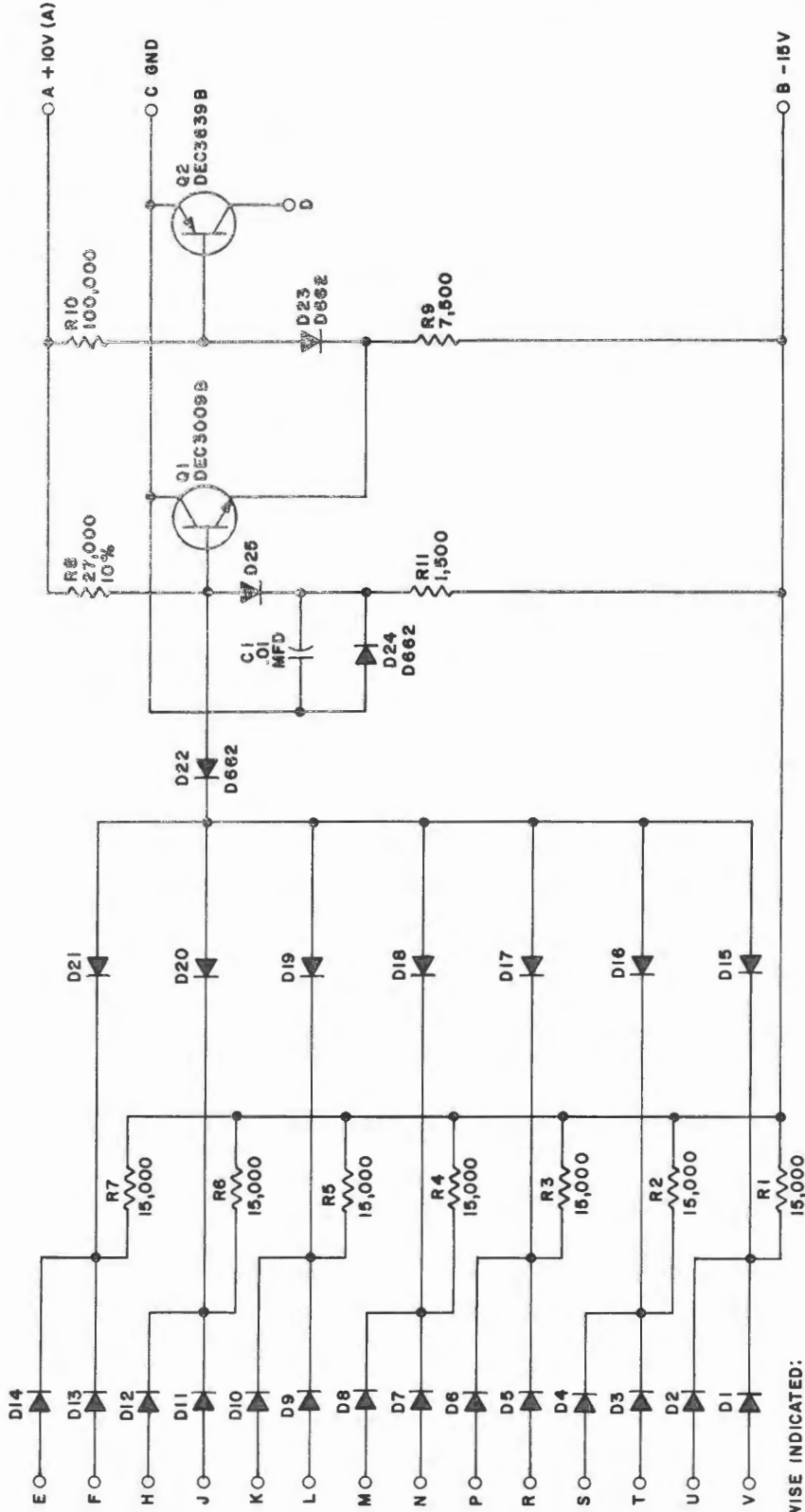
TRANSISTOR & DIODE CONVERSION CHART		NOTES
DEC	EIA	
DEC 3639-0	2N 3639	
D-662	1N 645	
D-664	1N 3506	

THIS SCHEMATIC IS FURNISHED ONLY FOR TEST AND MAINTENANCE PURPOSES. THE CIRCUITS ARE PROPRIETARY IN NATURE AND SHOULD BE TREATED ACCORDINGLY.
 COPYRIGHT 1965 BY DIGITAL EQUIPMENT CORPORATION

A		RS-B-R123	
DIODE GATE R123			

SIZE CODE: B CS
 NUMBER: R141-0-1
 REV: F

THIS SCHEMATIC IS FURNISHED ONLY FOR TEST AND MAINTENANCE PURPOSES. THE CIRCUITS ARE PROPRIETARY IN NATURE AND SHOULD BE TREATED ACCORDINGLY. COPYRIGHT 1964 BY DIGITAL EQUIPMENT CORPORATION



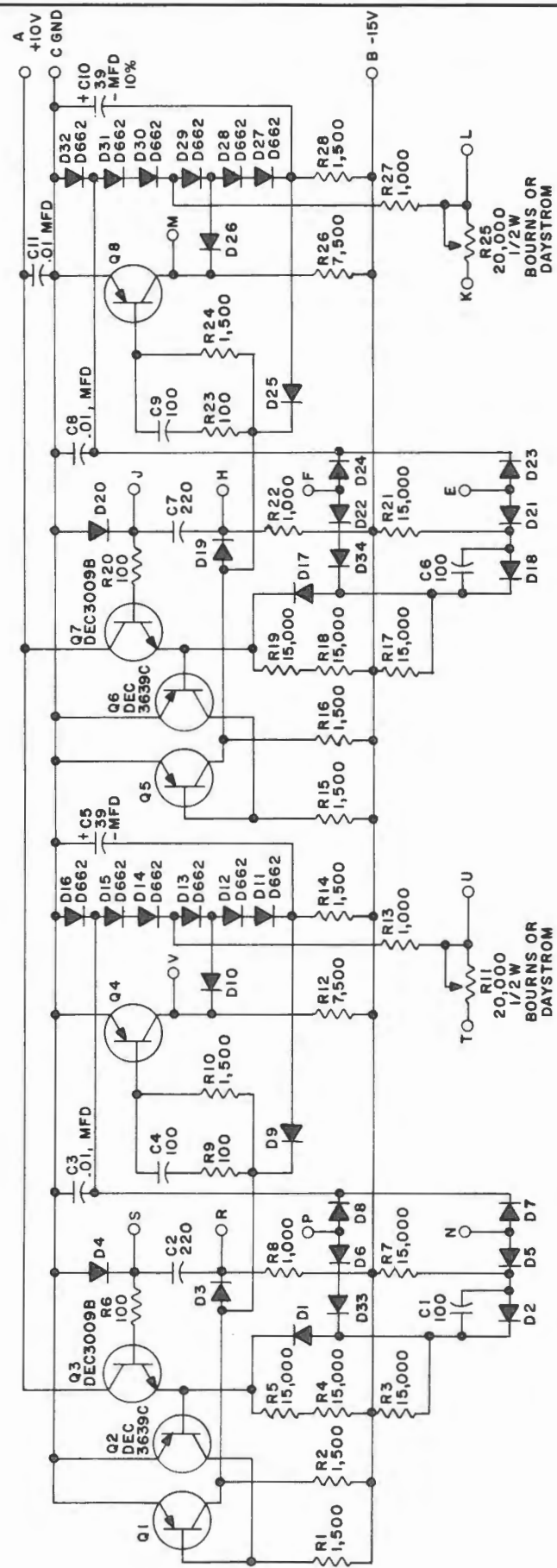
UNLESS OTHERWISE INDICATED:
 RESISTORS ARE 1/4W, 5%
 DIODES ARE D664

REVISIONS		REV: 5 2 76		CHK: 5 2 76		DWM: 5 2 76		REV: 6 5 4 4	
DEC FORM NO DRB 102		DATE: 7-16-64		DATE: 7-16-64		DATE: 7-16-64		DATE: 7-16-64	
DRN: A. OUELLETTE		ENGR: N. PERRYMAN		ENGR: R. BANK		ENGR: IN 3605		ENGR: IN 3605	
DATE: 7-16-64		DATE: 7-16-64		DATE: 7-16-64		DATE: 7-16-64		DATE: 7-16-64	
DEC: DEC3639B		DEC: 2N3639		DEC: 2N3009		DEC: IN 645		DEC: IN 3605	
EIA: EIA		EIA: EIA		EIA: EIA		EIA: EIA		EIA: EIA	
TITLE: DIODE GATE R141		SIZE: B		CODE: CS		NUMBER: R141-0-1		REV: F	
CORPORATION: DIGITAL EQUIPMENT CORPORATION		MAYNARD, MASSACHUSETTS		PRINTED CIRCUIT REV: E					

DIGITAL EQUIPMENT CORPORATION • MAYNARD, MASSACHUSETTS

SIZE CODE NUMBER REV
 B CS R302-0-1 S

THIS SCHEMATIC IS FURNISHED ONLY FOR TEST AND MAINTENANCE PURPOSES. THE CIRCUITS ARE PROPRIETARY IN NATURE AND SHOULD BE TREATED ACCORDINGLY. COPYRIGHT 1964 BY DIGITAL EQUIPMENT CORPORATION



UNLESS OTHERWISE INDICATED:
 RESISTORS ARE 1/4 W, 5%
 CAPACITORS ARE MMFD
 DIODES ARE D664
 TRANSISTORS ARE DEC3639

1 2 3 4 5 6 7 8 9 10 11 12 13 14 15 16 17 18 19 20 21 22 23 24 25 26 27 28 29 30 31 32 33 34

PARTS LIST A-PL-R302-0-0

REVISIONS		DATE		DRN		DATE		TRANSISTOR & DIODE CONVERSION CHART		TITLE	
REV	NO	DATE	BY	NO	DATE	NO	DATE	DEC	EIA	DEC	EIA
7	1	8-17-64	R. BANK	6499	6-17-64	6499	6-17-64	DEC3639	2N3639		
6	1	8-17-64	R. BANK	6499	6-17-64	6499	6-17-64	DEC3009B	2N3009		
5	1	8-17-64	R. BANK	6499	6-17-64	6499	6-17-64	D662	IN646		
4	1	8-17-64	R. BANK	6499	6-17-64	6499	6-17-64	D664	IN3606		
3	1	8-12-64	A. QUELLETTE	6749	6-12-64	6749	6-12-64	DEC3639C	2N3639		

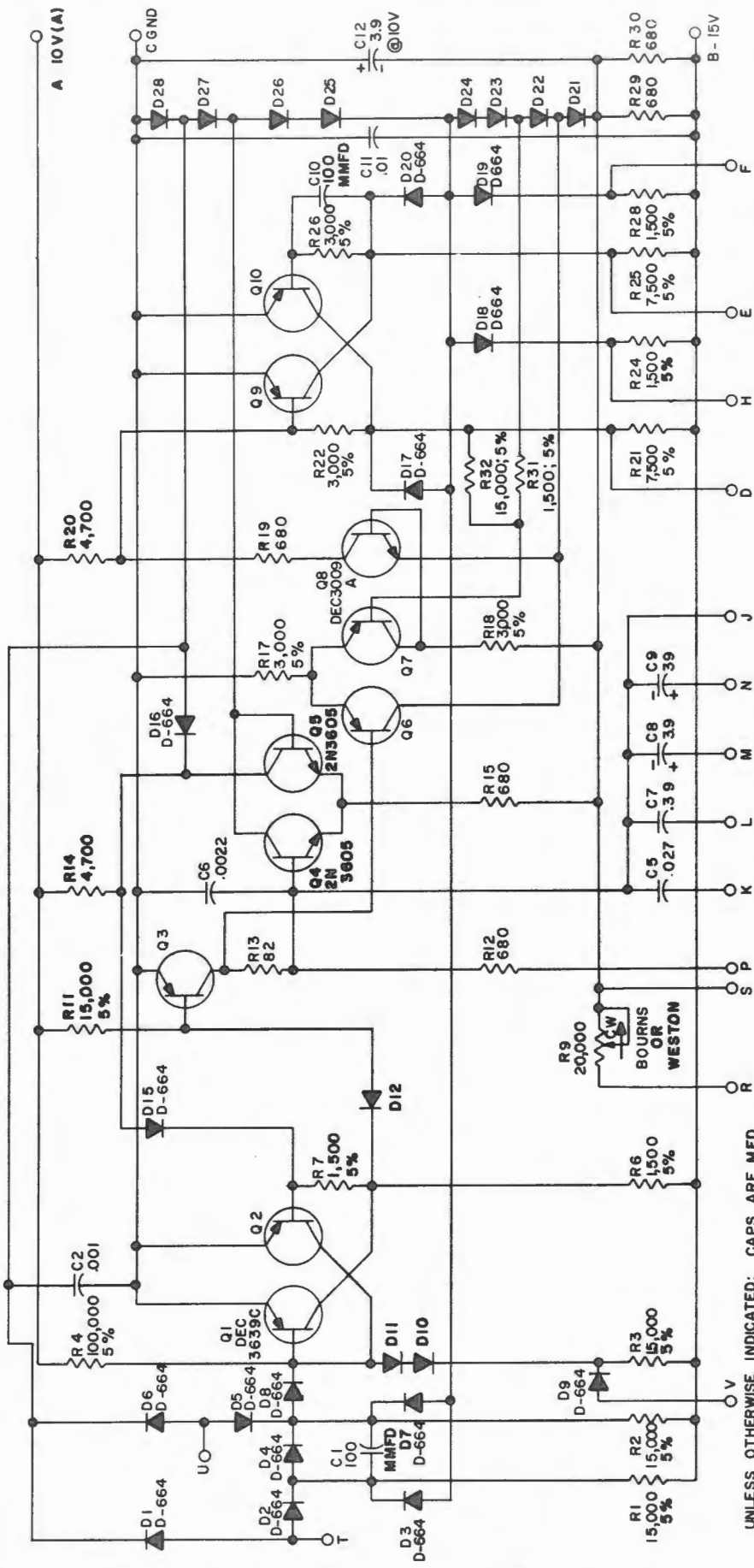
DELAY R302

SIZE CODE NUMBER REV
 B CS R302-0-1 S

PRINTED CIRCUIT REV. K
 DIST 324 434

REV. K
 NUMBER I-O-303R
 SIZE CODE B CS

THIS SCHEMATIC IS FURNISHED ONLY FOR TEST AND MAINTENANCE PURPOSES. THE CIRCUITS ARE PROPRIETARY IN NATURE AND SHOULD BE TREATED ACCORDINGLY. COPYRIGHT 1966 BY DIGITAL EQUIPMENT CORPORATION



UNLESS OTHERWISE INDICATED: CAPS. ARE MFD
 RESISTORS ARE 1/4W, 10%
 DIODES ARE D-662.
 TRANSISTORS ARE DEC 36398 PARTS LIST A-PL-R303-O-O

REVISIONS		DATE		DATE		DATE		DATE		DATE		DATE		DATE	
NO.	BY	NO.	BY	NO.	BY	NO.	BY	NO.	BY	NO.	BY	NO.	BY	NO.	BY
1	AW	1	AW	1	AW	1	AW	1	AW	1	AW	1	AW	1	AW
2	AW	2	AW	2	AW	2	AW	2	AW	2	AW	2	AW	2	AW
3	AW	3	AW	3	AW	3	AW	3	AW	3	AW	3	AW	3	AW
4	AW	4	AW	4	AW	4	AW	4	AW	4	AW	4	AW	4	AW
5	AW	5	AW	5	AW	5	AW	5	AW	5	AW	5	AW	5	AW
6	AW	6	AW	6	AW	6	AW	6	AW	6	AW	6	AW	6	AW
7	AW	7	AW	7	AW	7	AW	7	AW	7	AW	7	AW	7	AW
8	AW	8	AW	8	AW	8	AW	8	AW	8	AW	8	AW	8	AW
9	AW	9	AW	9	AW	9	AW	9	AW	9	AW	9	AW	9	AW
10	AW	10	AW	10	AW	10	AW	10	AW	10	AW	10	AW	10	AW

DRN	CHK'D	ENG.	PROD.
L. MAHN	R. SILVERMAN	R. DOANE	

TRANSISTOR & DIODE CONVERSION CHART	
DEC 36398	EIA 2N3639
DEC 36399	EIA 2N3639
DEC 36400	EIA 2N3639
DEC 36401	EIA 2N3639
DEC 36402	EIA 2N3639
DEC 36403	EIA 2N3639
DEC 36404	EIA 2N3639
DEC 36405	EIA 2N3639
DEC 36406	EIA 2N3639
DEC 36407	EIA 2N3639
DEC 36408	EIA 2N3639
DEC 36409	EIA 2N3639
DEC 36410	EIA 2N3639
DEC 36411	EIA 2N3639
DEC 36412	EIA 2N3639
DEC 36413	EIA 2N3639
DEC 36414	EIA 2N3639
DEC 36415	EIA 2N3639
DEC 36416	EIA 2N3639
DEC 36417	EIA 2N3639
DEC 36418	EIA 2N3639
DEC 36419	EIA 2N3639
DEC 36420	EIA 2N3639
DEC 36421	EIA 2N3639
DEC 36422	EIA 2N3639
DEC 36423	EIA 2N3639
DEC 36424	EIA 2N3639
DEC 36425	EIA 2N3639
DEC 36426	EIA 2N3639
DEC 36427	EIA 2N3639
DEC 36428	EIA 2N3639
DEC 36429	EIA 2N3639
DEC 36430	EIA 2N3639
DEC 36431	EIA 2N3639
DEC 36432	EIA 2N3639
DEC 36433	EIA 2N3639
DEC 36434	EIA 2N3639
DEC 36435	EIA 2N3639
DEC 36436	EIA 2N3639
DEC 36437	EIA 2N3639
DEC 36438	EIA 2N3639
DEC 36439	EIA 2N3639
DEC 36440	EIA 2N3639
DEC 36441	EIA 2N3639
DEC 36442	EIA 2N3639
DEC 36443	EIA 2N3639
DEC 36444	EIA 2N3639
DEC 36445	EIA 2N3639
DEC 36446	EIA 2N3639
DEC 36447	EIA 2N3639
DEC 36448	EIA 2N3639
DEC 36449	EIA 2N3639
DEC 36450	EIA 2N3639
DEC 36451	EIA 2N3639
DEC 36452	EIA 2N3639
DEC 36453	EIA 2N3639
DEC 36454	EIA 2N3639
DEC 36455	EIA 2N3639
DEC 36456	EIA 2N3639
DEC 36457	EIA 2N3639
DEC 36458	EIA 2N3639
DEC 36459	EIA 2N3639
DEC 36460	EIA 2N3639
DEC 36461	EIA 2N3639
DEC 36462	EIA 2N3639
DEC 36463	EIA 2N3639
DEC 36464	EIA 2N3639
DEC 36465	EIA 2N3639
DEC 36466	EIA 2N3639
DEC 36467	EIA 2N3639
DEC 36468	EIA 2N3639
DEC 36469	EIA 2N3639
DEC 36470	EIA 2N3639
DEC 36471	EIA 2N3639
DEC 36472	EIA 2N3639
DEC 36473	EIA 2N3639
DEC 36474	EIA 2N3639
DEC 36475	EIA 2N3639
DEC 36476	EIA 2N3639
DEC 36477	EIA 2N3639
DEC 36478	EIA 2N3639
DEC 36479	EIA 2N3639
DEC 36480	EIA 2N3639
DEC 36481	EIA 2N3639
DEC 36482	EIA 2N3639
DEC 36483	EIA 2N3639
DEC 36484	EIA 2N3639
DEC 36485	EIA 2N3639
DEC 36486	EIA 2N3639
DEC 36487	EIA 2N3639
DEC 36488	EIA 2N3639
DEC 36489	EIA 2N3639
DEC 36490	EIA 2N3639
DEC 36491	EIA 2N3639
DEC 36492	EIA 2N3639
DEC 36493	EIA 2N3639
DEC 36494	EIA 2N3639
DEC 36495	EIA 2N3639
DEC 36496	EIA 2N3639
DEC 36497	EIA 2N3639
DEC 36498	EIA 2N3639
DEC 36499	EIA 2N3639
DEC 36500	EIA 2N3639

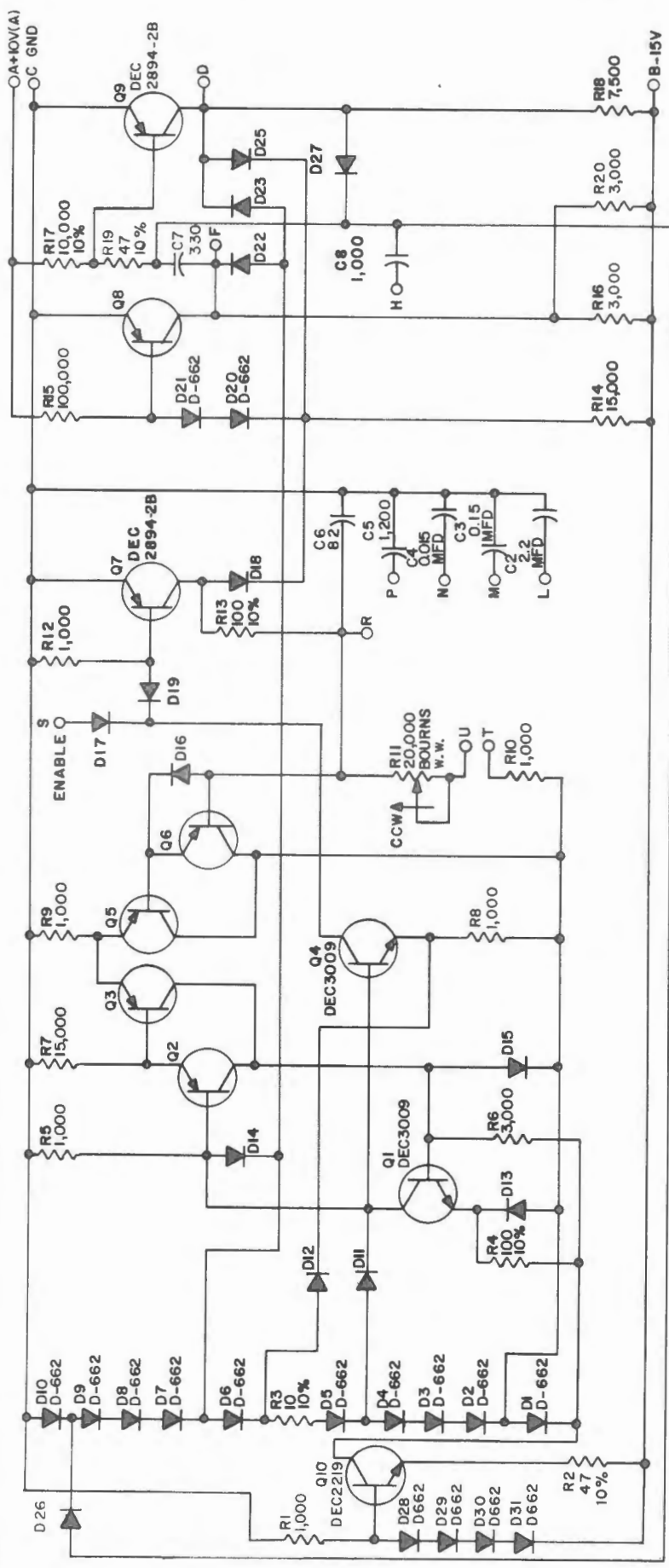
TITLE INTEGRATING ONE-SHOT R303

SIZE CODE B CS
 NUMBER R303-O-1
 PRINTED CIRCUIT REV. D

PINK DIST. 324 434 4/37

SIZE CODE NUMBER REV
 B CS R401-0-1 M

THIS SCHEMATIC IS FURNISHED ONLY FOR TEST AND MAINTENANCE PURPOSES. THE CIRCUITS ARE PROPRIETARY IN NATURE AND SHOULD BE TREATED ACCORDINGLY. COPYRIGHT 1964 BY DIGITAL EQUIPMENT CORPORATION



UNLESS OTHERWISE INDICATED:
 RESISTORS ARE 1/4W, 5%
 CAPACITORS ARE MIMFD
 DIODES ARE D-664
 TRANSISTORS ARE DEC 3639-0
 R11 IS A # 275P

REVISIONS	CHK	CHG NO	REV
PAW 5558	9		
REV 5908	8		
REV 5908	7		
6004	6		
L			
K			

DRN	H.W. PORTER	DATE	10-23-64
CHK'D	N. PERRYMAN	DATE	10-23-64
ENG.	D.O'CONNOR	DATE	10-23-64
PROD.	2	DATE	

TRANSISTOR & DIODE CONVERSION CHART			
DEC	EIA	DEC	EIA
DEC3639-0	2N3639	DEC2219	2N2219
DEC3009	2N3009		
DEC2894-2B	NONE		
D-662	1N645		
D-664	1N3606		

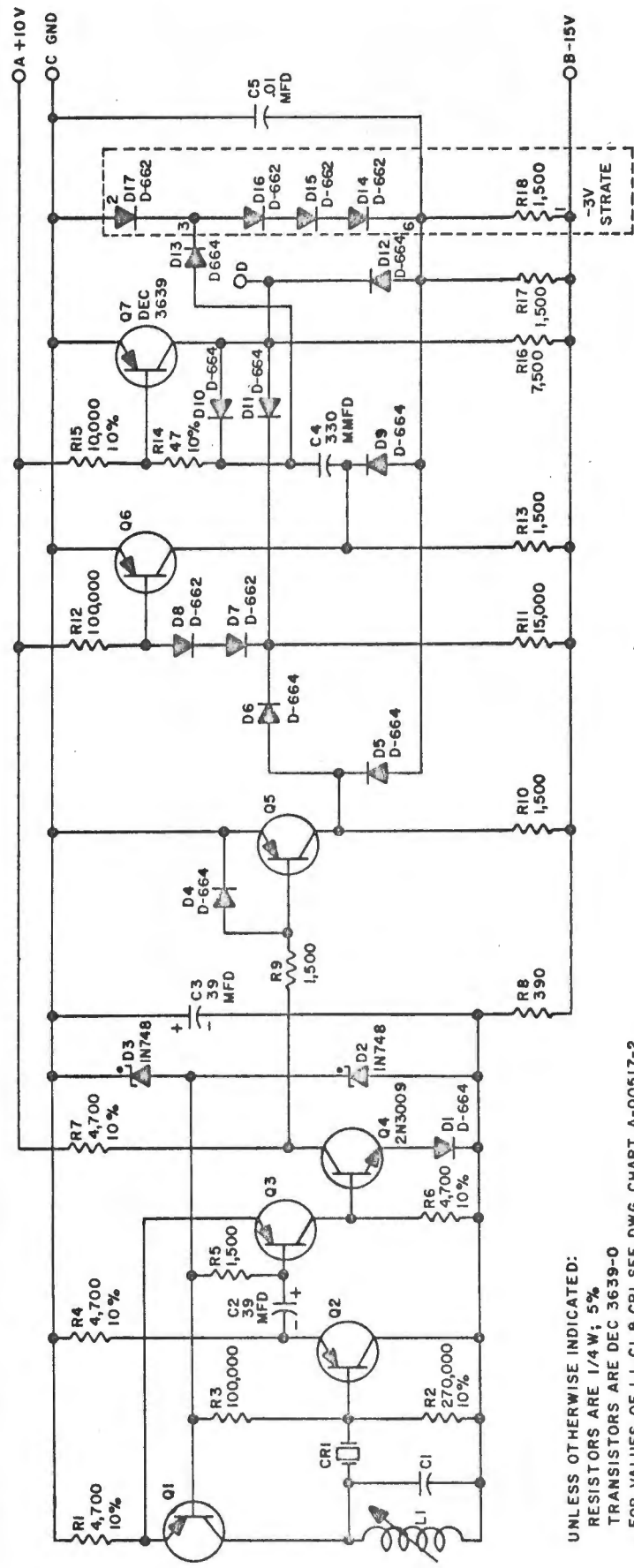
TITLE		CLOCK R401	
SIZE	CODE	NUMBER	REV
B	CS	R401-0-1	M
PRINTED CIRCUIT REV.			H

DIGITAL EQUIPMENT CORPORATION • MAYNARD, MASSACHUSETTS

DEC FORM NO
 DRB 102

SIZE	CODE	NUMBER	REV.
B	CS	R405-0-1	J

THIS SCHEMATIC IS FURNISHED ONLY FOR TEST AND MAINTENANCE PURPOSES. THE CIRCUITS ARE PROPRIETARY IN NATURE AND SHOULD BE TREATED ACCORDINGLY. COPYRIGHT 1964 BY DIGITAL EQUIPMENT CORPORATION



UNLESS OTHERWISE INDICATED:
 RESISTORS ARE 1/4W; 5%
 TRANSISTORS ARE DEC 3639-0
 FOR VALUES OF L1, C1 & CRI SEE DWG CHART A-00517-2

REV	J
NUMBER	R405-0-1
SIZE	B
CODE	CS
PRINTED CIRCUIT REV.	H J

digital
 EQUIPMENT CORPORATION
 MAYNARD, MASSACHUSETTS

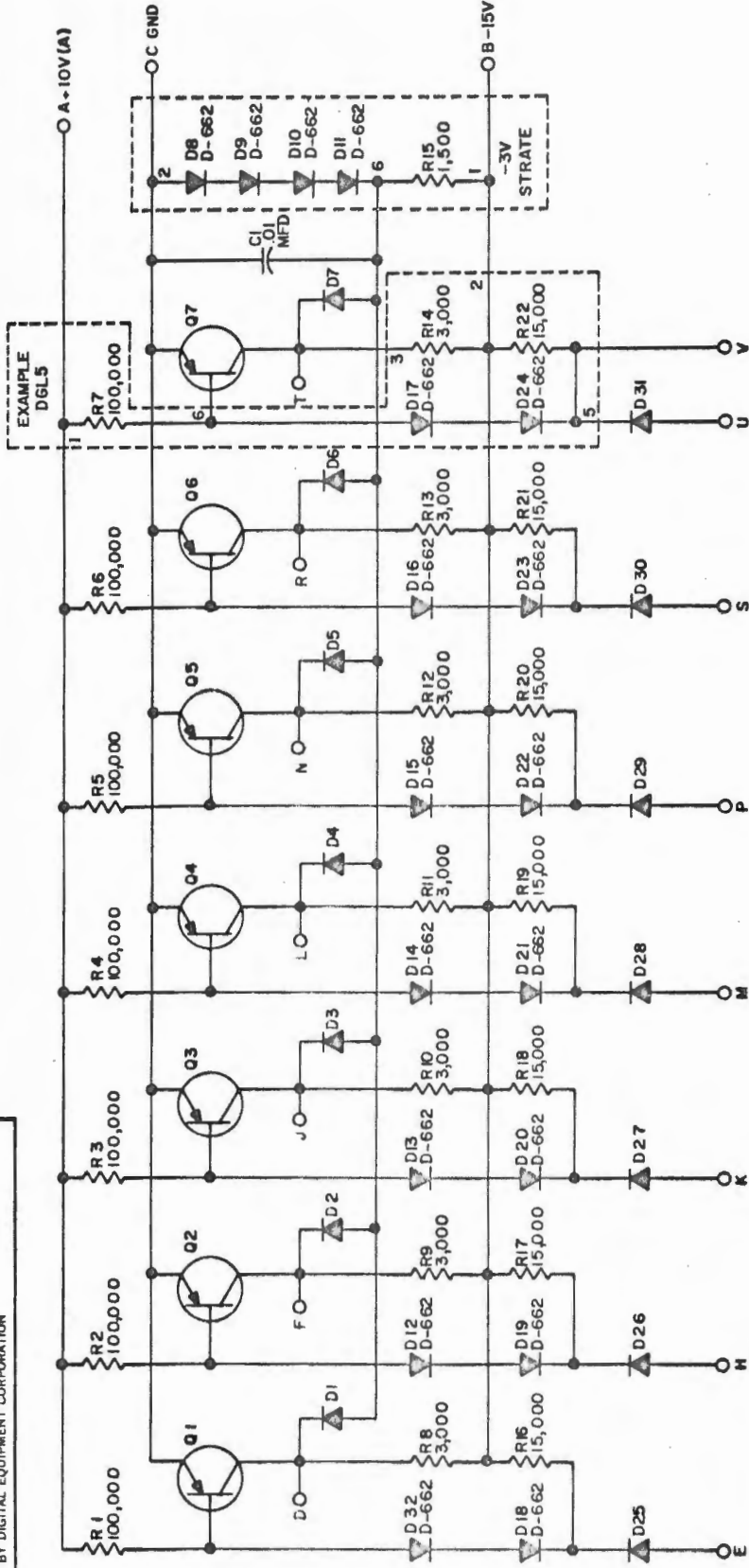
TITLE			
CRYSTAL CLOCK R405			
TRANSISTOR & DIODE CONVERSION CHART			
DEC	EIA	DEC	PKA
DEC 3639	2N3639	IN748	3-9V SAME
DEC 3639-0	2N3639		
2N3009	SAME		
D 662	1N645		
D 664	1N3606		

DRN.	DATE
H. PORTER	11-21-64
CHK'D	DATE
N. PERRYMAN	12-4-64
ENG.	DATE
D. O'CONNOR	12-4-64
PROD.	DATE

REVISIONS	
CHK	REV
DAW 6089	3
REV 6394	H
REV 6558	4

SIZE CODE B CS
 NUMBER SI07-0-1
 REV D

THIS SCHEMATIC IS FURNISHED ONLY FOR TEST AND MAINTENANCE PURPOSES. THE CIRCUITS ARE PROPRIETARY IN NATURE AND SHOULD BE TREATED ACCORDINGLY. COPYRIGHT 1965 BY DIGITAL EQUIPMENT CORPORATION



UNLESS OTHERWISE INDICATED:
 RESISTORS ARE 1/4 W, 5%
 DIODES ARE D-664
 TRANSISTORS ARE DEC 3639B
 PRINTED CIRCUIT REV FOR
 DGL BOARD IS S1A

USE THE ETCH BOARD OF THE RI07

PARTS LIST A-PL-SI07-0-0

REV	CHG NO	REV
0004		
0458		
0807		

DRN	DATE	6-11-65
I MAHN	DATE	6-11-65
CHKD R SILVERMAN	DATE	6-18-65
ENG R SOGEE	DATE	6-18-65
PROD	DATE	

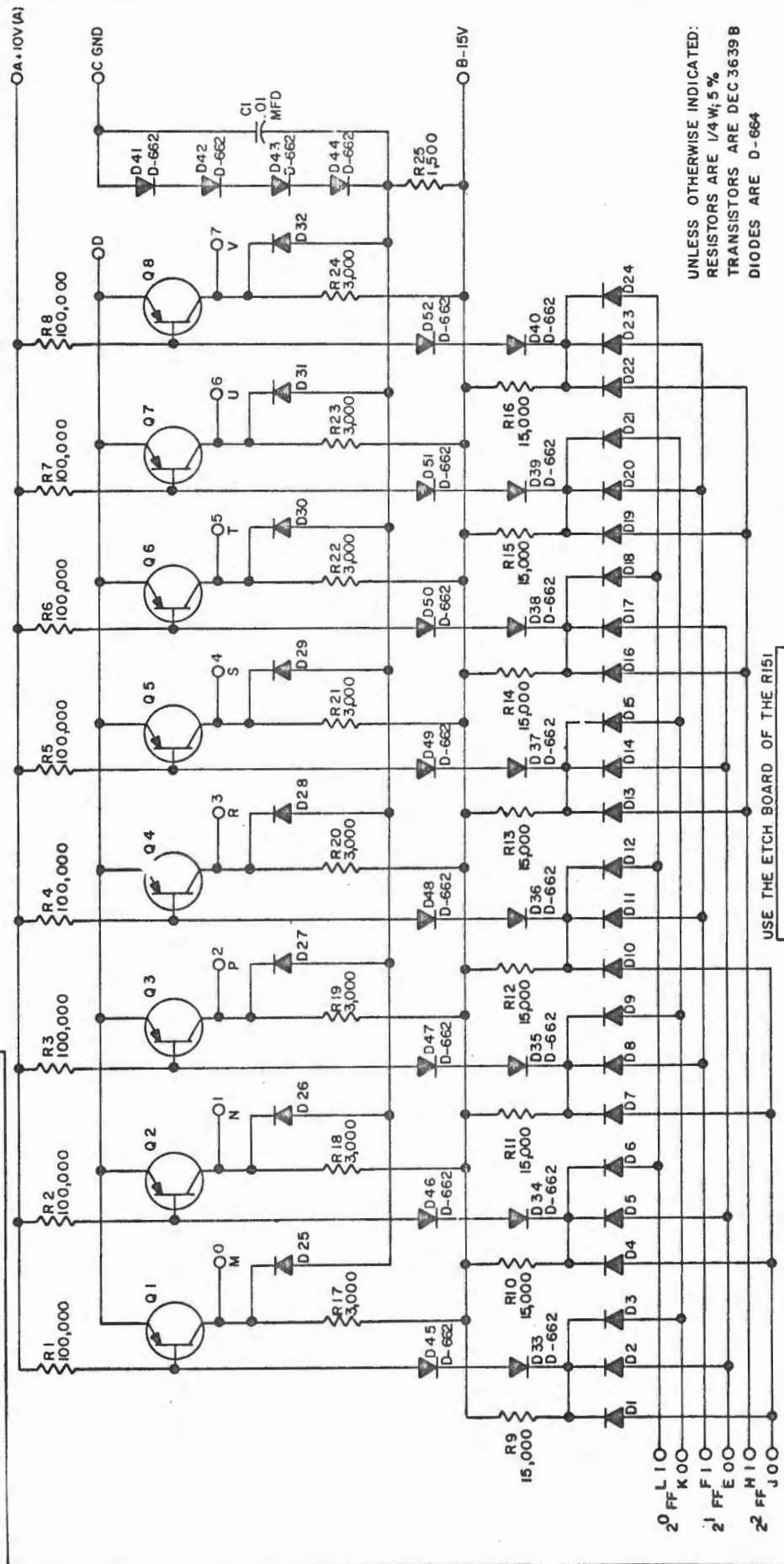
TRANSISTOR & DIODE CONVERSION CHART		
DEC	EIA	EIA
DEC 3639B	2N3639	
D662	1N645	
D664	1N3606	

TITLE			
INVERTER SI07			
SIZE	CODE	NUMBER	REV
B	CS	SI07-0-1	D
PRINTED CIRCUIT REV			D

DIG 6 FORM NO
 DRB 102

REV. C NUMBER 1-0-151S CS CODE B SIZE

THIS SCHEMATIC IS FURNISHED ONLY FOR TEST AND MAINTENANCE PURPOSES. THE CIRCUITS ARE PROPRIETARY IN NATURE AND SHOULD BE TREATED ACCORDINGLY. COPYRIGHT 1965 BY DIGITAL EQUIPMENT CORPORATION



UNLESS OTHERWISE INDICATED:
RESISTORS ARE 1/4 W, 5 %
TRANSISTORS ARE DEC 3639 B
DIODES ARE D-664

USE THE ETCH BOARD OF THE R151

REVISIONS		DATE		DATE		DATE		DATE		DATE	
C	6854	DRN	L. HAHN	6-11-65	DEC	DEC 3639B	2N3639	EIA	EIA		
B	6808	CHK'D	R. SILVERMAN	8-18-65	DEC	D662	IN645	DEC	DEC		
A	6808	ENG.	R. SOGGE	8-18-65	DEC	D664	IN3608	DEC	DEC		
		PROD.									

TRANSISTOR & DIODE CONVERSION CHART

TITLE: BINARY TO OCTAL DECODER S151

SIZE CODE: B CS S151-0-1

NUMBER: 434

REV. C

PRINTED CIRCUIT REV. B C D

DIST. 324 434 435

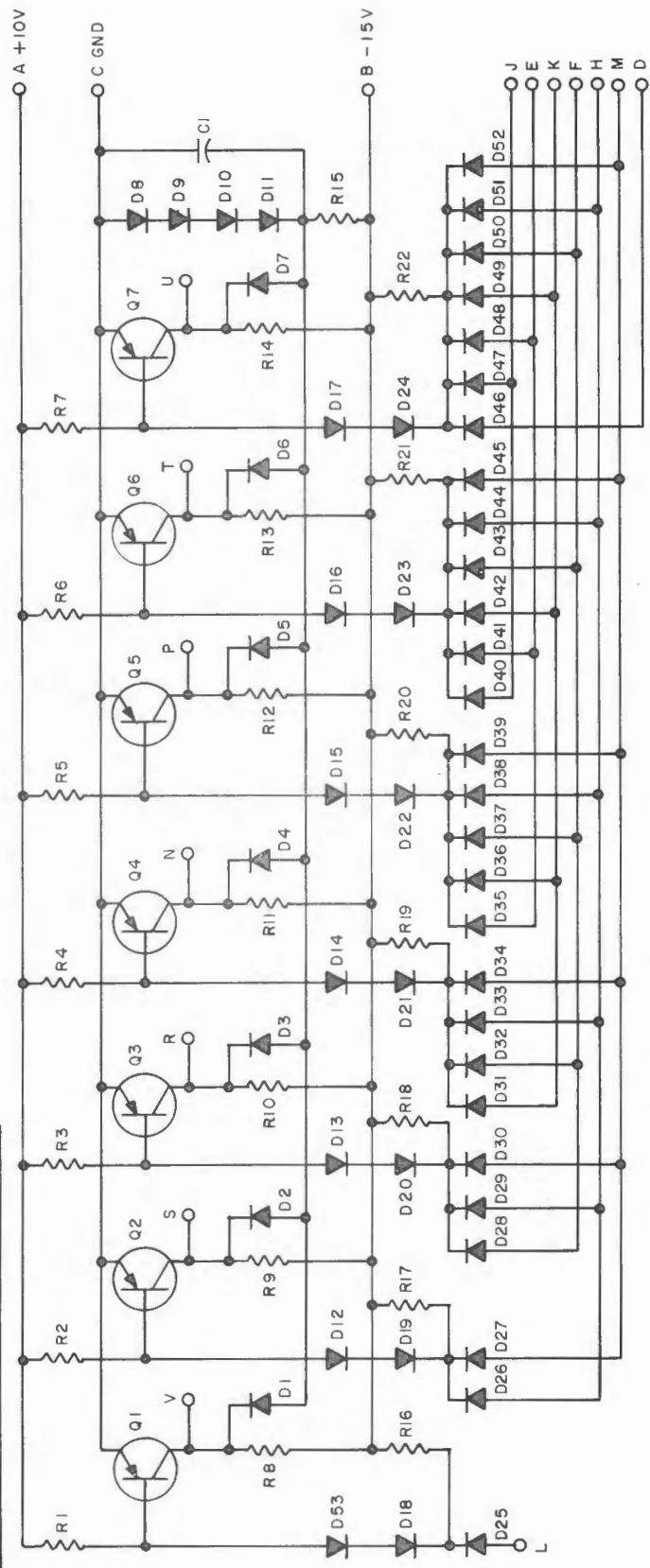
PINK

DIGITAL EQUIPMENT CORPORATION
MAYNARD, MASSACHUSETTS

DIGITAL EQUIPMENT CORPORATION • MAYNARD, MASSACHUSETTS

REV. 1-0-181S SC B
 NUMBER 3003 3715

THIS SCHEMATIC IS FURNISHED ONLY FOR TEST AND MAINTENANCE PURPOSES. THE CIRCUITS ARE PROPRIETARY IN NATURE AND SHOULD BE TREATED ACCORDINGLY. COPYRIGHT 1965 BY DIGITAL EQUIPMENT CORPORATION



REFERENCE DESIGNATION	DESCRIPTION	PART NO.
Q1 THRU Q7	TRANSISTOR DEC3639B	1502762
R16 THRU R22	RES. 15K 1/4W 5%	1300496
R15	RES. 1.5K 1/4W 5% CC	1300391
R8 THRU R14	RES. 3K 1/4W 5% CC	1300432
R1 THRU R7	RES. 100K 1/4W 5% CC	1302466
D1 THRU D7, D25 THRU D52	DIODE D664	1100114
D8 THRU D24, D53	DIODE D662	1100113
C1	CAP. .01MFD 50V -0 +20% DISC	1000001
	PARTS LIST	A-PL-S181-0-0

TRANSISTOR & DIODE CONVERSION CHART	DEC	EIA	DEC	EIA
DEC3639B	2N3639			
D662	1N645			
D664	1N3606			

USE THE ETCH BOARD OF THE 181I

REVISIONS	CHK CHG NO. REV	REV 6759 A

DRN	DATE	CHK'D	DATE	ENG.	DATE	PROD.	DATE
I. HAHN	6-11-65	R. SILVERMAN	6-18-65	R. SOGGE	6-18-65		

TRANSISTOR & DIODE CONVERSION CHART			
DEC	EIA	DEC	EIA
DEC3639B	2N3639		
D662	1N645		
D664	1N3606		

TITLE			
DC CARRY CHAIN S181			
SIZE	CODE	NUMBER	REV.
B	CS	S181-0-1	A

PARTS LIST		
REFERENCE DESIGNATION	DESCRIPTION	PART NO.
Q1 THRU Q7	TRANSISTOR DEC3639B	1502762
R16 THRU R22	RES. 15K 1/4W 5%	1300496
R15	RES. 1.5K 1/4W 5% CC	1300391
R8 THRU R14	RES. 3K 1/4W 5% CC	1300432
R1 THRU R7	RES. 100K 1/4W 5% CC	1302466
D1 THRU D7, D25 THRU D52	DIODE D664	1100114
D8 THRU D24, D53	DIODE D662	1100113
C1	CAP. .01MFD 50V -0 +20% DISC	1000001
	PARTS LIST	A-PL-S181-0-0

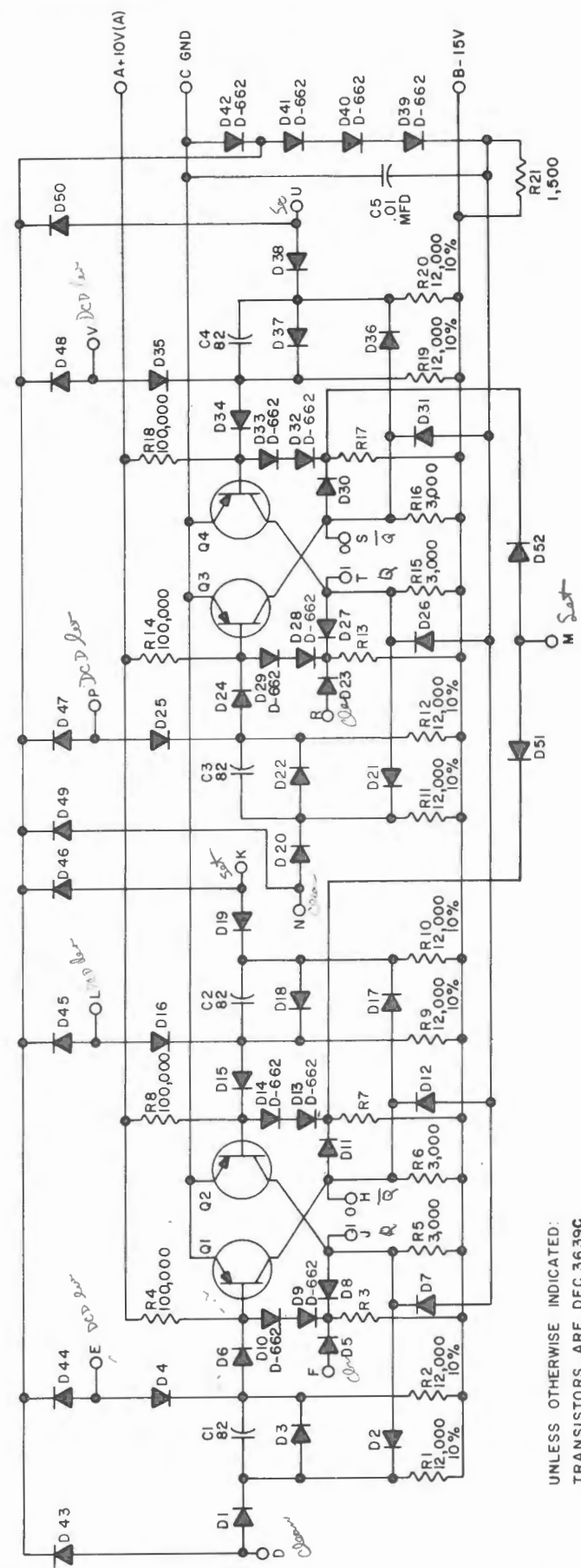
DIST. 324 434 435

DIGITAL EQUIPMENT CORPORATION • MAYNARD, MASSACHUSETTS

DEC FORM NO. DRB 102

REV. **D** NUMBER **S202-0-1** SIZE CODE **B CS**

THIS SCHEMATIC IS FURNISHED ONLY FOR TEST AND MAINTENANCE PURPOSES. THE CIRCUITS ARE PROPRIETARY IN NATURE AND SHOULD BE TREATED ACCORDINGLY. COPYRIGHT 1966 BY DIGITAL EQUIPMENT CORPORATION



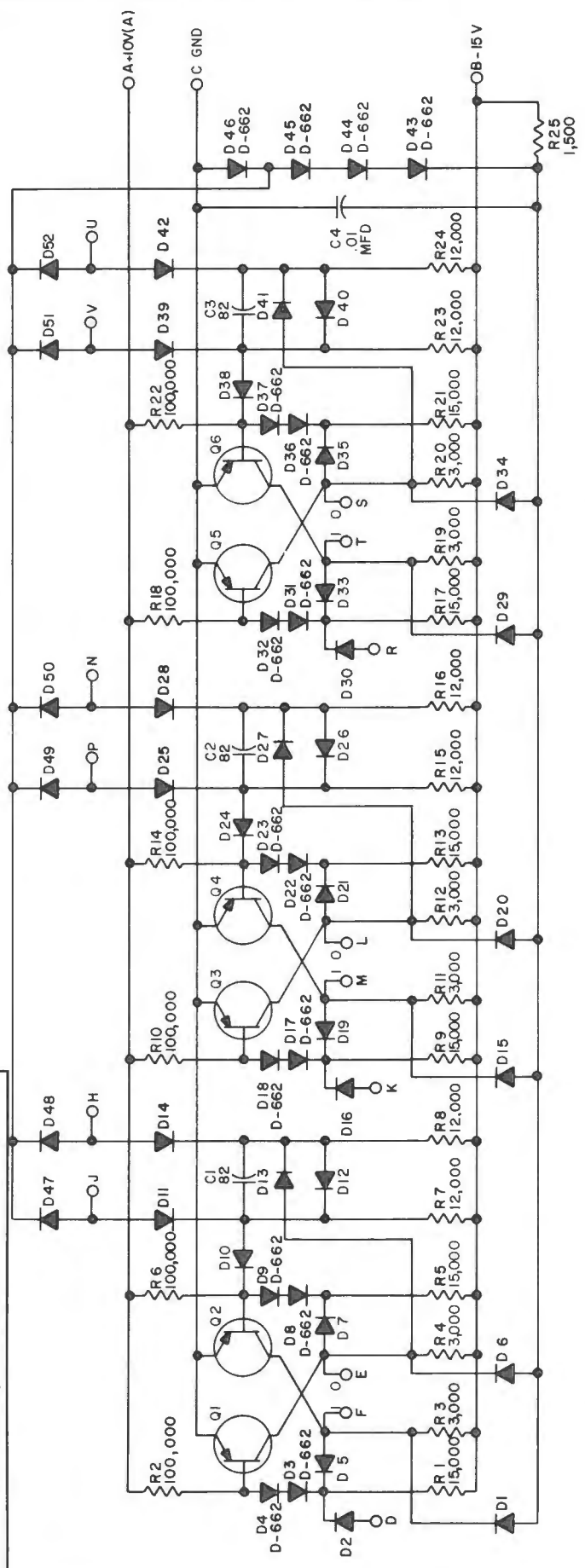
UNLESS OTHERWISE INDICATED:
 TRANSISTORS ARE DEC 3639C
 RESISTORS ARE 15,000
 RESISTORS ARE 1/4W, 5%
 CAPACITORS ARE MMFD
 DIODES ARE D-664

USE THE ETCH BOARD OF THE R202

REVISIONS		DATE		TRANSISTOR & DIODE CONVERSION CHART		TITLE	
1	DAW 4994	6-15-65	DEC	EIA	DEC	EIA	DUAL FLIP-FLOP S202
2	REV 8469	6-18-65	DEC 3639C	2N3639	DEC	EIA	
3	6493		D662	IN645			
4	6683		D664	IN3606			
CHK CHG NO. REV		DRN		DATE		SIZE CODE NUMBER REV.	
		I. HAHN	6-15-65	B	CS	S202-0-1	D
		R. SIVERMAN	6-18-65	EQUIPMENT CORPORATION			
		R. SOGGE	6-18-65	MAYNARD, MASSACHUSETTS			
				PRINTED CIRCUIT REV. D E			

SIZE CODE NUMBER REV
 B CS S203-0-1 C

THIS SCHEMATIC IS FURNISHED ONLY FOR TEST AND MAINTENANCE PURPOSES. THE CIRCUITS ARE PROPRIETARY IN NATURE AND SHOULD BE TREATED ACCORDINGLY. COPYRIGHT 1965 BY DIGITAL EQUIPMENT CORPORATION



UNLESS OTHERWISE INDICATED:
 RESISTORS ARE 1/4W; 5%
 CAPACITORS ARE MMFD
 DIODES ARE D-664
 TRANSISTORS ARE DEC 3639C

USE THE ETCH BOARD OF THE R203

REVISIONS		CHK	CHG NO	REV
1	4990	DR	1	1
2	4990	DR	1	1
3	4968	DR	1	1
4	6494	DR	1	1

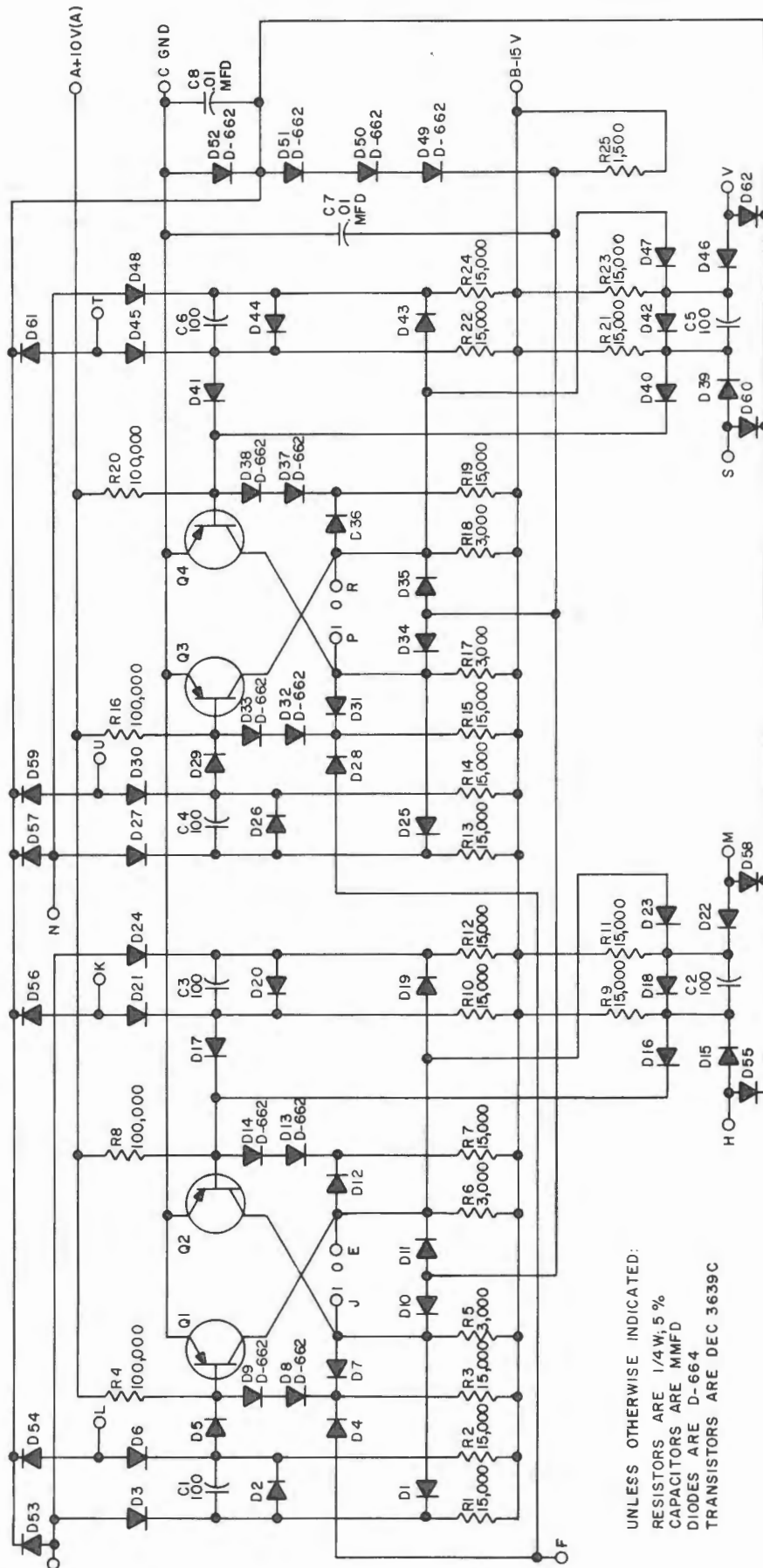
DRN	I. HAHN	DATE	6-11-65
CHK'D	R. SILVERMAN	DATE	6-18-65
ENG	R. SOGGE	DATE	6-18-65
PROD		DATE	

TRANSISTOR & DIODE CONVERSION CHART			
DEC	EIA	DEC	EIA
DEC3639C	2N3639	D662	IN645
D664	IN3606		

TITLE			
TRIPLE FLIP-FLOP S203			
SIZE	CODE	NUMBER	REV.
B	CS	S203-0-1	C
PRINTED CIRCUIT REV			D

REV. D NUMBER S205-0-1 CS B SIZE

THIS SCHEMATIC IS FURNISHED ONLY FOR TEST AND MAINTENANCE PURPOSES. THE CIRCUITS ARE PROPRIETARY IN NATURE AND SHOULD BE TREATED ACCORDINGLY. COPYRIGHT 1965 BY DIGITAL EQUIPMENT CORPORATION



UNLESS OTHERWISE INDICATED:
 RESISTORS ARE 1/4W, 5%
 CAPACITORS ARE MMFD
 DIODES ARE D-664
 TRANSISTORS ARE DEC 3639C

USE THE ETCH BOARD OF THE R205

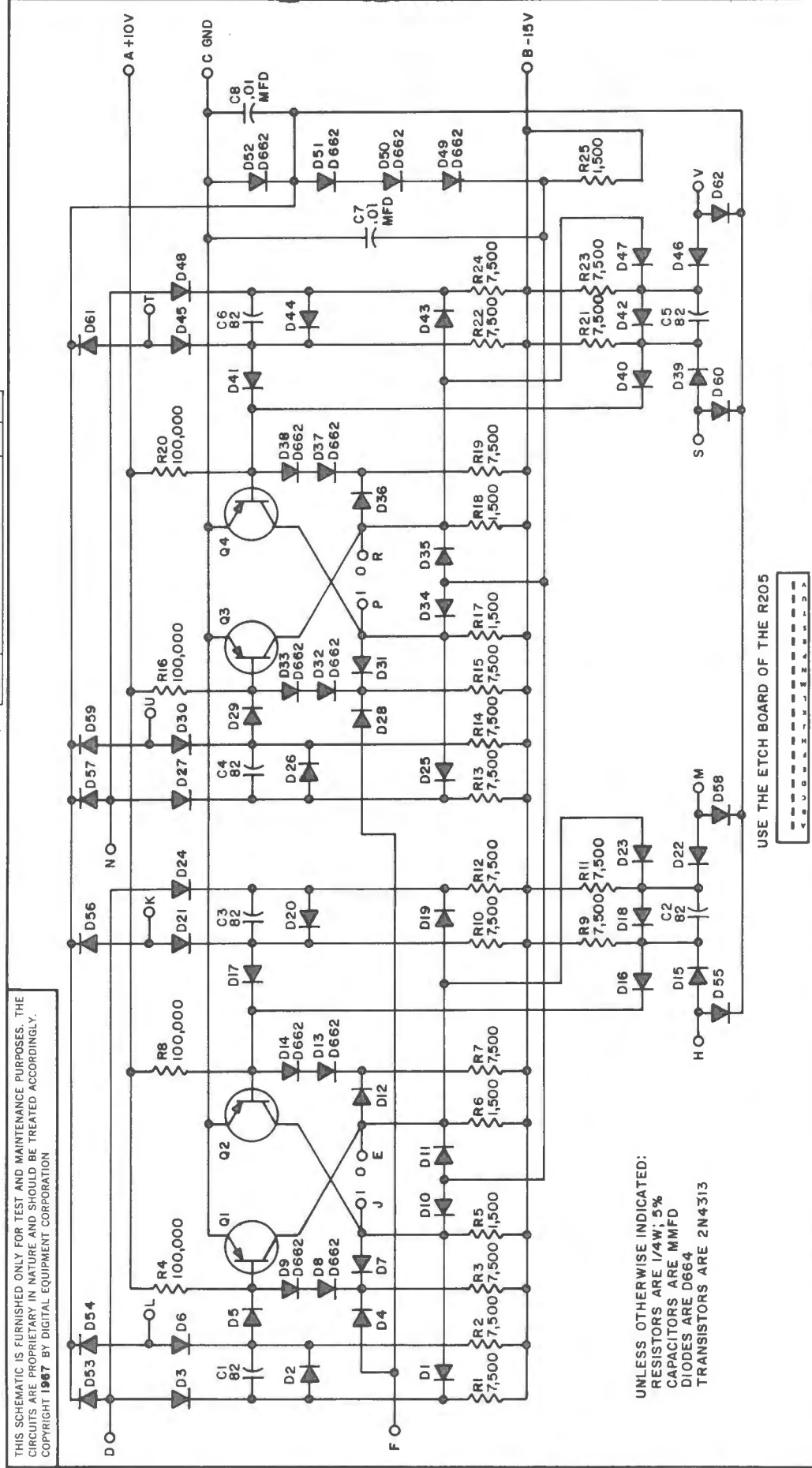
PARTS LIST A-PL-S205-0-0

REVISIONS		DATE		TRANSISTOR & DIODE CONVERSION CHART		TITLE	
CHK	CHG NO	DATE	DATE	DEC	EIA	DEC	EIA
1	4989	8-18-65	8-14-65	D662	2N3639	D662	2N3639
2	4989	8-18-65	8-18-65	D564	IN3606	D564	IN3606
3	6492						
4	6853						

REV. D	NUMBER S205-0-1	REV. D
SIZE B	CODE CS	NUMBER S205-0-1
PRINTED CIRCUIT REV. D		

DEC FORM NO. D88 102	DATE 11/17/65	BY 329/3/3
----------------------	---------------	------------

REV. B NUMBER 1-0-902S CS B SIZE



UNLESS OTHERWISE INDICATED:
 RESISTORS ARE 1/4W, 5%
 CAPACITORS ARE .MMFD
 DIODES ARE D664
 TRANSISTORS ARE 2N4313

USE THE ETCH BOARD OF THE R205

THIS SCHEMATIC IS FURNISHED ONLY FOR TEST AND MAINTENANCE PURPOSES. THE CIRCUITS ARE PROPRIETARY IN NATURE AND SHOULD BE TREATED ACCORDINGLY. COPYRIGHT 1967 BY DIGITAL EQUIPMENT CORPORATION

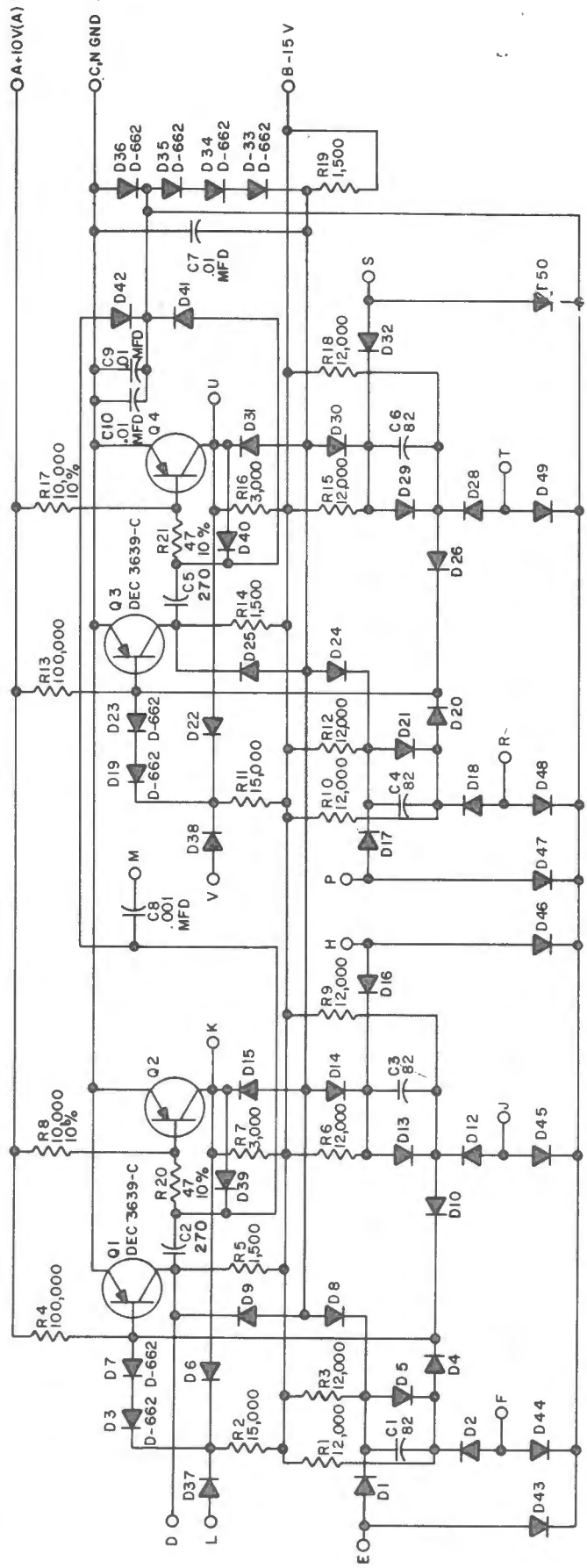
REVISIONS		DATE		DRN	
6251	A	3-9-67	3-9-67	Mr. Waller	
6758	B				

EQUIPMENT CORPORATION		TRANSISTOR & DIODE CONVERSION CHART	
CS	B	DEC	EIA
S206-0-1		D662	IN645
		D664	IN3606
		2N4313	SAME

TITLE		SIZE		NUMBER	
DUAL FLIP-FLOP S206		B	CS	S206-0-1	
EQUIPMENT CORPORATION		PRINTED CIRCUIT REV		CID	

REV. H NUMBER S602-0-1 CS B SIZE CODE

THIS SCHEMATIC IS FURNISHED ONLY FOR TEST AND MAINTENANCE PURPOSES. THE CIRCUITS ARE PROPRIETARY IN NATURE AND SHOULD BE TREATED ACCORDINGLY. COPYRIGHT 1965 BY DIGITAL EQUIPMENT CORPORATION



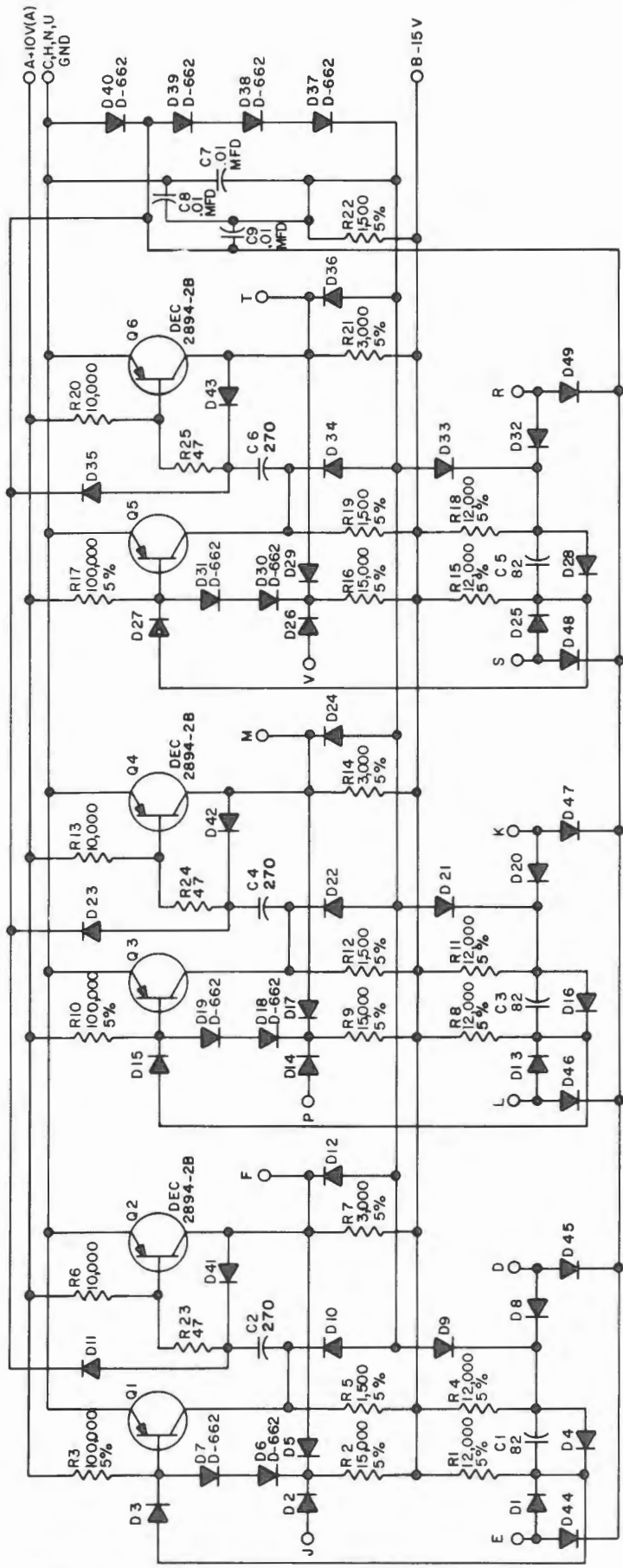
UNLESS OTHERWISE INDICATED:
 RESISTORS ARE 1/4W, 5%
 CAPACITORS ARE MMFD
 DIODES ARE D-664
 TRANSISTORS ARE DEC2894-2B

USE THE ETCH BOARD OF THE R602

REV. H		NUMBER S602-0-1		CS B		SIZE CODE	
TITLE		PULSE AMPLIFIER S602		NUMBER		REV. H	
SIZE		B		CODE		CS	
NUMBER		S602-0-1		PRINTED CIRCUIT REV.		H K	
DIGITAL		EQUIPMENT		CORPORATION		MAYNARD, MASSACHUSETTS	
TRANSISTOR & DIODE CONVERSION CHART		DEC		EIA		EIA	
DEC2894-2B		NONE		2N3639		DEC	
DEC3639-C		2N3639		IN645		DEC	
D662		IN645		IN3606		DEC	
D664		IN3606				DEC	
DRN		I HAHN		DATE		6-14-65	
CHK'D		R SILVERMAN		DATE		6-17-65	
ENG.		R SOGGE		DATE		6-17-65	
PROT.				DATE			
REV		5924		REV		5924	
CHK		5924		CHK		5924	
DAW		5275		DAW		5275	
CHG NO		2		CHG NO		2	
REV				REV			
DEC FORM NO.		D66 102					

THIS SCHEMATIC IS FURNISHED ONLY FOR TEST AND MAINTENANCE PURPOSES. THE CIRCUITS ARE PROPRIETARY IN NATURE AND SHOULD BE TREATED ACCORDINGLY. COPYRIGHT 1965 BY DIGITAL EQUIPMENT CORPORATION

REV E
 NUMBER 1-O-609S
 CODE CS
 SIZE B



UNLESS OTHERWISE INDICATED:
 RESISTORS ARE 1/4W, 10%
 CAPACITORS ARE MMFD
 DIODES ARE D-664
 TRANSISTORS ARE DEC 3639-C

USE THE ETCH BOARD OF THE R603

PARTS LIST A-PL-S603-0-0

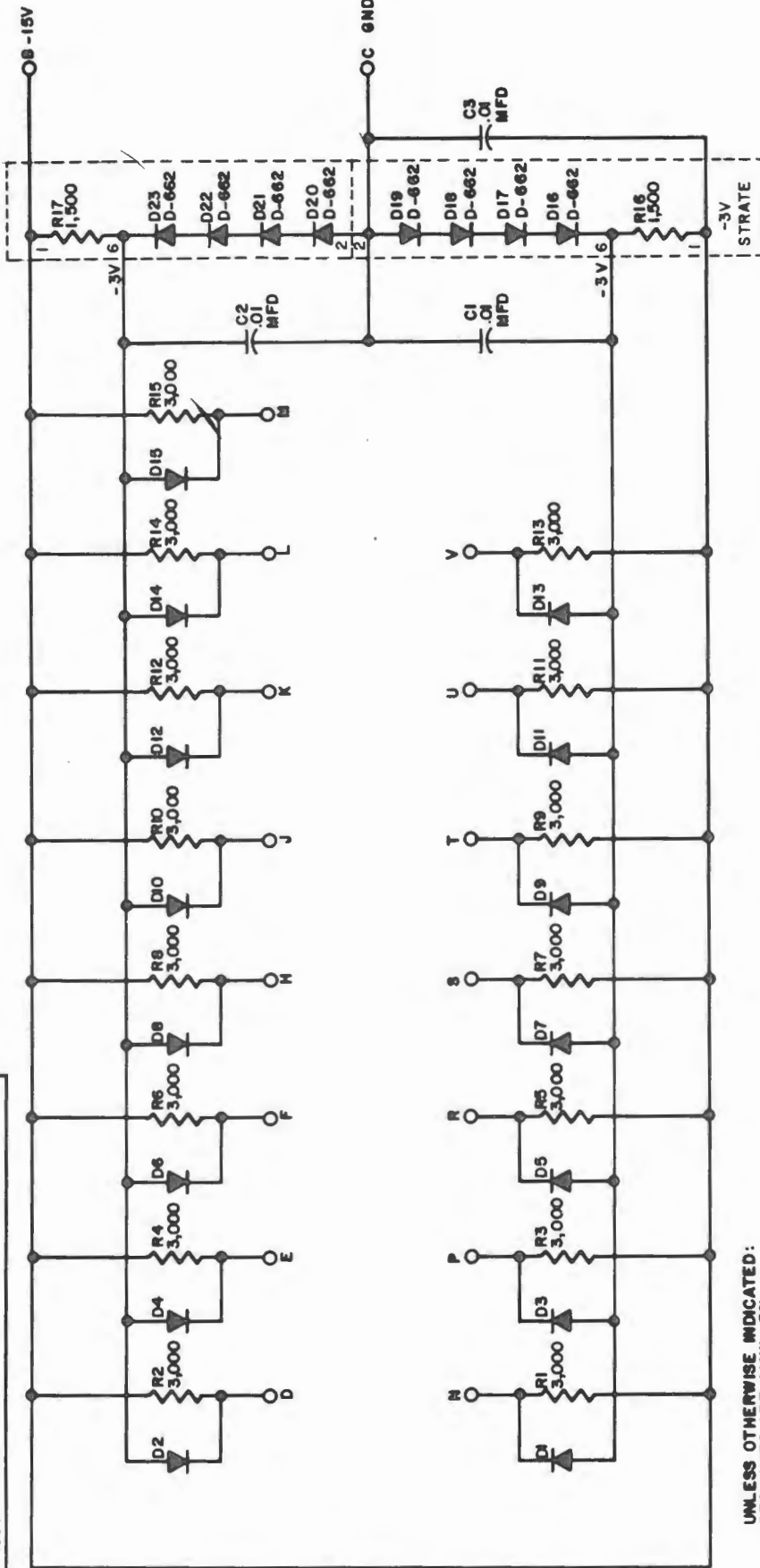
REVISIONS		DATE		CHK'D		DATE		TRANSISTOR & DIODE CONVERSION CHART		TITLE	
REV	CHG NO	DATE	DATE	REV	DATE	REV	DATE	DEC	EIA	DEC	EIA
1	2	8-18-65	8-14-65	R	8-18-65	DEC 2894-2B	NONE				
2	3	8-18-65	8-18-65	R	8-18-65	DEC 3639C	2N3639				
3	4			ENG		D662	IN645				
4	5			PROD.		D664	IN3606				

REV	CS	NUMBER	REV
5371	B	S603-0-1	E

DEC FORM NO.	DIST.	REV
DRB 102	324 434 435	D

REV. B
NUMBER 1-0-500M CS B
SIZE CODE

THIS SCHEMATIC IS FURNISHED ONLY FOR TEST AND MAINTENANCE PURPOSES. THE CIRCUITS ARE PROPRIETARY IN NATURE AND SHOULD BE TREATED ACCORDINGLY. COPYRIGHT 1964 BY DIGITAL EQUIPMENT CORPORATION



UNLESS OTHERWISE INDICATED:
RESISTORS ARE 1/4W, 5%
DIODES ARE D-664

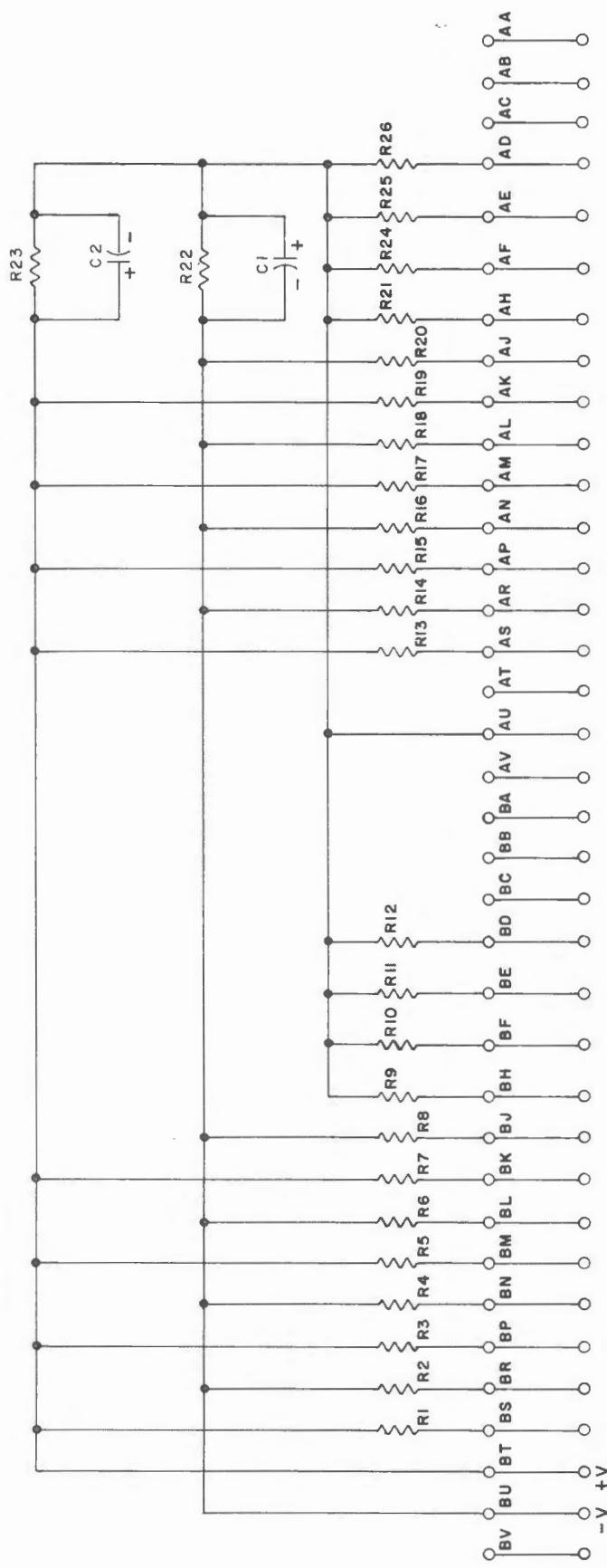
REVISIONS	CHK CHG NO. REV.	DAW 5037 1	REV 5397 8																												
<table border="1"> <tr> <td>DRN</td> <td>DATE</td> <td>DRN</td> <td>DATE</td> </tr> <tr> <td>H. PORTER</td> <td>4-27-64</td> <td></td> <td></td> </tr> <tr> <td>CHK'D</td> <td></td> <td></td> <td></td> </tr> <tr> <td>M. PERRYMAN</td> <td>5-4-64</td> <td></td> <td></td> </tr> <tr> <td>ENG.</td> <td></td> <td></td> <td></td> </tr> <tr> <td>B. SCUDNEY</td> <td>5-4-64</td> <td></td> <td></td> </tr> <tr> <td>PROD.</td> <td></td> <td></td> <td></td> </tr> </table>				DRN	DATE	DRN	DATE	H. PORTER	4-27-64			CHK'D				M. PERRYMAN	5-4-64			ENG.				B. SCUDNEY	5-4-64			PROD.			
DRN	DATE	DRN	DATE																												
H. PORTER	4-27-64																														
CHK'D																															
M. PERRYMAN	5-4-64																														
ENG.																															
B. SCUDNEY	5-4-64																														
PROD.																															
<table border="1"> <tr> <td>DEC</td> <td>EIA</td> <td>DEC</td> <td>EIA</td> </tr> <tr> <td>D662</td> <td>IM845</td> <td></td> <td></td> </tr> <tr> <td>D664</td> <td>IN3606</td> <td></td> <td></td> </tr> </table>				DEC	EIA	DEC	EIA	D662	IM845			D664	IN3606																		
DEC	EIA	DEC	EIA																												
D662	IM845																														
D664	IN3606																														
<table border="1"> <tr> <td colspan="2">TRANSISTOR & DIODE CONVERSION CHART</td> </tr> <tr> <td>digital</td> <td></td> </tr> <tr> <td>EQUIPMENT CORPORATION</td> <td></td> </tr> <tr> <td>MAYNARD, MASSACHUSETTS</td> <td></td> </tr> </table>				TRANSISTOR & DIODE CONVERSION CHART		digital		EQUIPMENT CORPORATION		MAYNARD, MASSACHUSETTS																					
TRANSISTOR & DIODE CONVERSION CHART																															
digital																															
EQUIPMENT CORPORATION																															
MAYNARD, MASSACHUSETTS																															
TITLE		CLAMPED LOADS W005																													
SIZE	CODE	NUMBER	REV.																												
B	CS	W005-0-1	B																												
PRINTED CIRCUIT REV.																															

DIGITAL EQUIPMENT CORPORATION • MAYNARD, MASSACHUSETTS

DEC FORM NO. DRB 102

REV E NUMBER W015-0-1

THIS SCHEMATIC IS FURNISHED ONLY FOR TEST AND MAINTENANCE PURPOSES. THE CIRCUITS ARE PROPRIETARY IN NATURE AND SHOULD BE TREATED ACCORDINGLY. COPYRIGHT 1966 BY DIGITAL EQUIPMENT CORPORATION



R22-R23	RES. 220 2W 10% CC	1300278
R9-R12, R21-R26	RES. 330 1W 10% CC	1300298
R1-R8, R13-R20	RES. 1K 1/4W 5% CC	1300365
C1, C2	CAP. 20MFD 50V -10 +75% ELECT	1002839
	PARTS LIST	A-PL-W015-0-0
REFERENCE DESIGNATION	DESCRIPTION	PART NO.

TRANSISTOR & DIODE CONVERSION CHART		TITLE	
DEC	EIA	DIGIT STACK CONNECTOR W015	
		SIZE	NUMBER
		B	CS
		W015-0-1	
		REV	E

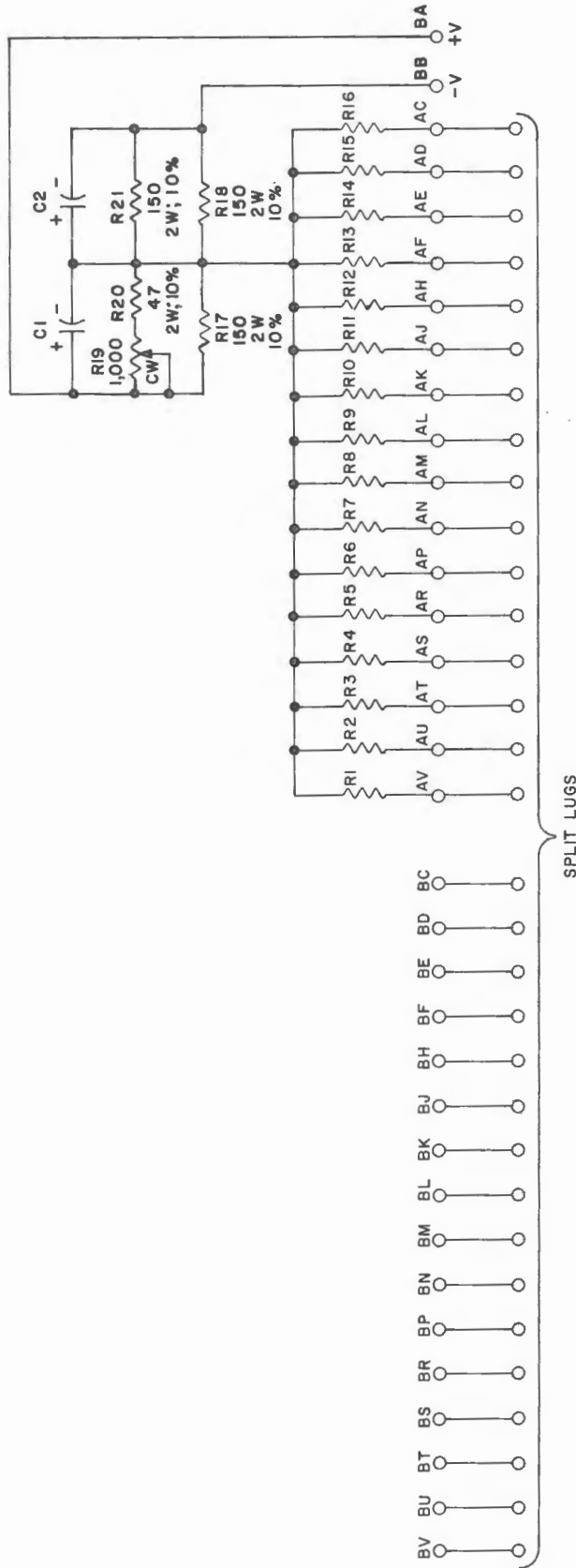
DRN	DATE
CHK'D	DATE
ENG	DATE
PROD	DATE

REVISIONS	CHK	CHG NO	REV
5958			
6933			
6516			

DEC FORM NO. DRB 102
 PINK DIST 324 434 435
 MAYNARD, MASSACHUSETTS

REV D
 NUMBER W016-0-1
 CS B
 SIZE CODE

THIS SCHEMATIC IS FURNISHED ONLY FOR TEST AND MAINTENANCE PURPOSES. THE CIRCUITS ARE PROPRIETARY IN NATURE AND SHOULD BE TREATED ACCORDINGLY. COPYRIGHT 1966 BY DIGITAL EQUIPMENT CORPORATION



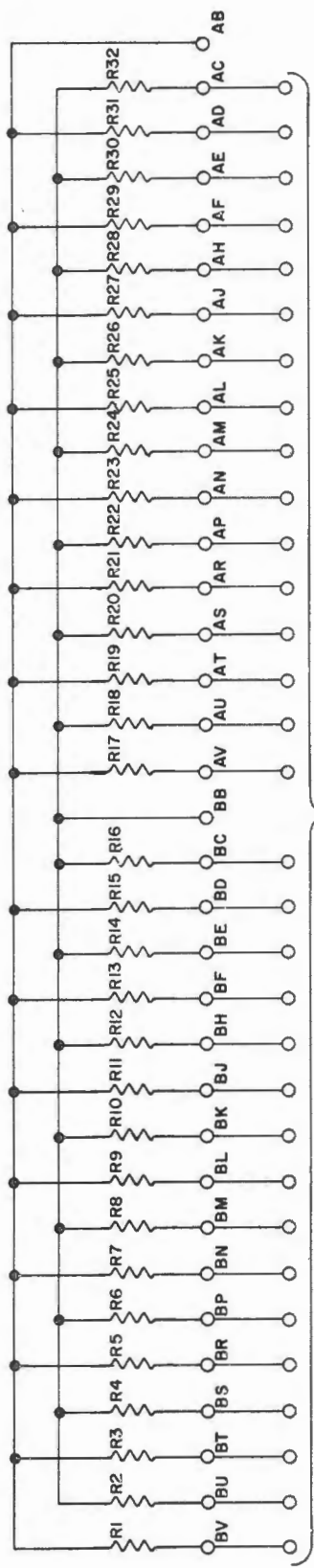
UNLESS OTHERWISE INDICATED:
 RESISTORS ARE 75; 1W 5%
 CAPACITORS ARE 50 MFD, 25V
 R19 IS A #275P

REVISIONS		DATE		DATE		DATE		DATE		DATE		DATE	
6147													
6146													
6041													
5960													
5933													
CHK	CHG NO	REV	DRN	CHK'D	ENG	PROD	DATE	DATE	DATE	DATE	DATE	DATE	DATE
					Aug 13, 66								
TRANSISTOR & DIODE CONVERSION CHART		EIA		DEC		EIA		DEC		EIA		DEC	
TITLE		SIZE CODE		NUMBER		REV		REV		REV		REV	
WORD SINK STACK		B		CS		W016-0-1		D		D		D	
CONNECTOR		CS		W016-0-1		PRINTED CIRCUIT REV.		D		D		D	
WO16		B		CS		W016-0-1		D		D		D	
DIGITAL		EQUIPMENT		CORPORATION		MAYNARD, MASSACHUSETTS		DIGITAL		EQUIPMENT		CORPORATION	
MAYNARD, MASSACHUSETTS		MAYNARD, MASSACHUSETTS		MAYNARD, MASSACHUSETTS		MAYNARD, MASSACHUSETTS		MAYNARD, MASSACHUSETTS		MAYNARD, MASSACHUSETTS		MAYNARD, MASSACHUSETTS	

DIGITAL EQUIPMENT CORPORATION • MAYNARD, MASSACHUSETTS

REV.	NUMBER	SIZE
	WO17-0-1	B
		CS

THIS SCHEMATIC IS FURNISHED ONLY FOR TEST AND MAINTENANCE PURPOSES. THE CIRCUITS ARE PROPRIETARY IN NATURE AND SHOULD BE TREATED ACCORDINGLY. COPYRIGHT 1966 BY DIGITAL EQUIPMENT CORPORATION



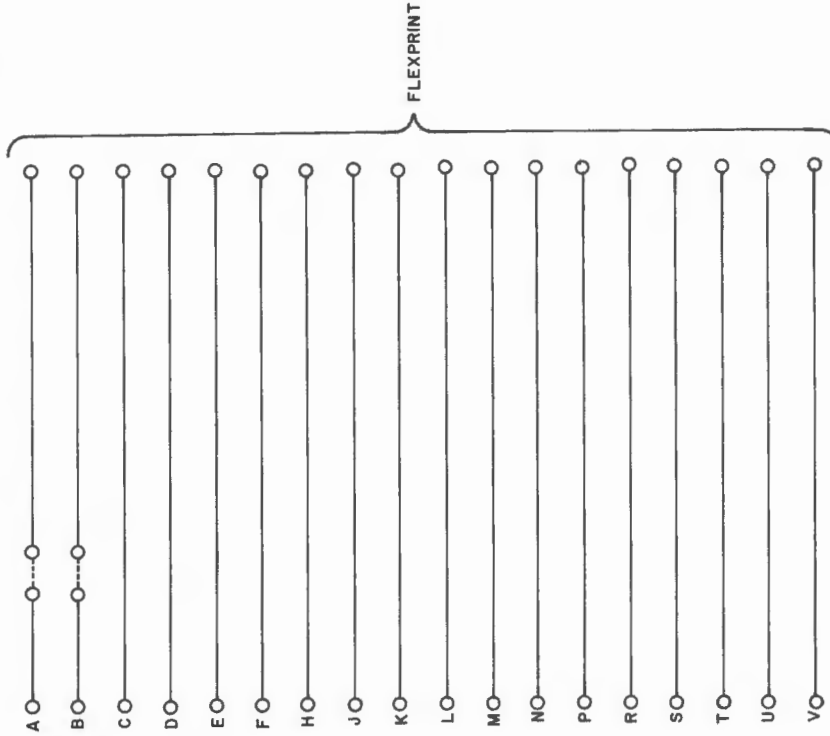
UNLESS OTHERWISE INDICATED:
RESISTORS ARE 470; 1W 5%

1	2	3	4	5	6	7	8	9	10	11	12	13	14	15	16	17	18	19	20	21	22	23	24	25	26	27	28	29	30	31	32
---	---	---	---	---	---	---	---	---	----	----	----	----	----	----	----	----	----	----	----	----	----	----	----	----	----	----	----	----	----	----	----

REV. NO.		CHG. NO.		CHK. NO.	
REVISIONS		DATE		DATE	
DRN. <i>A. DeLong</i>		8-2-66		8-2-66	
CHK'D. <i>F. Bell</i>		9-1-66		9-1-66	
ENG. <i>Jan Hughes</i>		8-31-66		8-31-66	
PROD.					
TRANSISTOR & DIODE CONVERSION CHART					
DEC	EIA	DEC	EIA	DEC	EIA
TITLE WORD DRIVE STACK CONNECTOR WO17					
SIZE	CODE	NUMBER	REV.		
B	CS	WO17-0-1			
PRINTED CIRCUIT REV. A					

THIS SCHEMATIC IS FURNISHED ONLY FOR TEST AND MAINTENANCE PURPOSES. THE CIRCUITS ARE PROPRIETARY IN NATURE AND SHOULD BE TREATED ACCORDINGLY. COPYRIGHT 1966 BY DIGITAL EQUIPMENT CORPORATION

SIZE CODE NUMBER REV.
 B CS W033-O-1 A

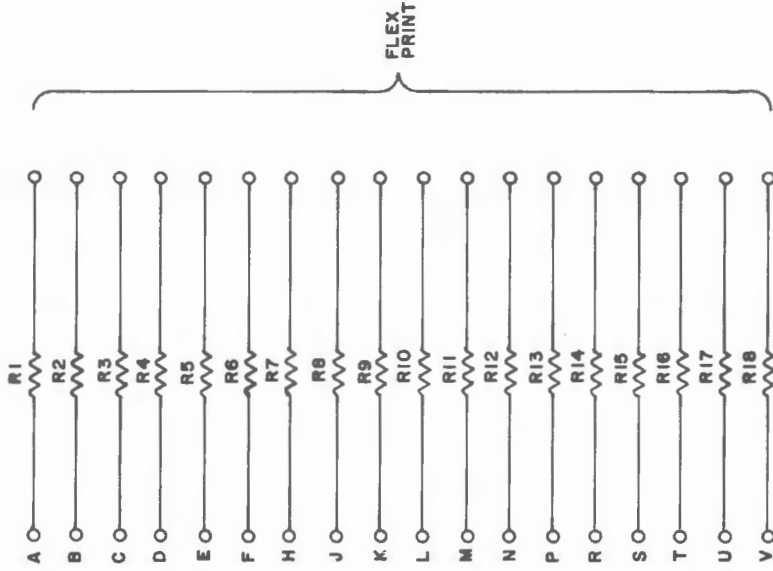


REV. A	CHG NO. 6647	DATE 5/2/66	DRN	DATE 5/2/66	DEC	EIA	DEC	EIA	TITLE	REV. A
CHG NO. 6647	CHG NO. 6647	DATE 5/19/66	CHK'D	DATE 5/19/66	DEC	DEC	DEC	EIA	CABLE CONNECTOR W033	REV. A
REV.	REV.	DATE 5/2/66	ENG	DATE 5/2/66	DEC	DEC	DEC	EIA	digital	REV. A
REV.	REV.	DATE 5/18/66	PROD.	DATE 5/18/66	DEC	DEC	DEC	EIA	EQUIPMENT CORPORATION	REV. A
REV.	REV.	DATE	PROD.	DATE	DEC	DEC	DEC	EIA	MAYNARD, MASSACHUSETTS	REV. A
REV.	REV.	DATE	PROD.	DATE	DEC	DEC	DEC	EIA	PRINTED CIRCUIT REV.	REV. A

DIGITAL EQUIPMENT CORPORATION • MAYNARD, MASSACHUSETTS

THIS SCHEMATIC IS FURNISHED ONLY FOR TEST AND MAINTENANCE PURPOSES. THE CIRCUITS ARE PROPRIETARY IN NATURE AND SHOULD BE TREATED ACCORDINGLY. COPYRIGHT 1967 BY DIGITAL EQUIPMENT CORPORATION

REV. B
 NUMBER W037-O-1
 SIZE CODE B CS



UNLESS OTHERWISE INDICATED:
 RESISTORS ARE 3,000; 1/4W; 5%

USE THE ETCH BOARD OF THE W036

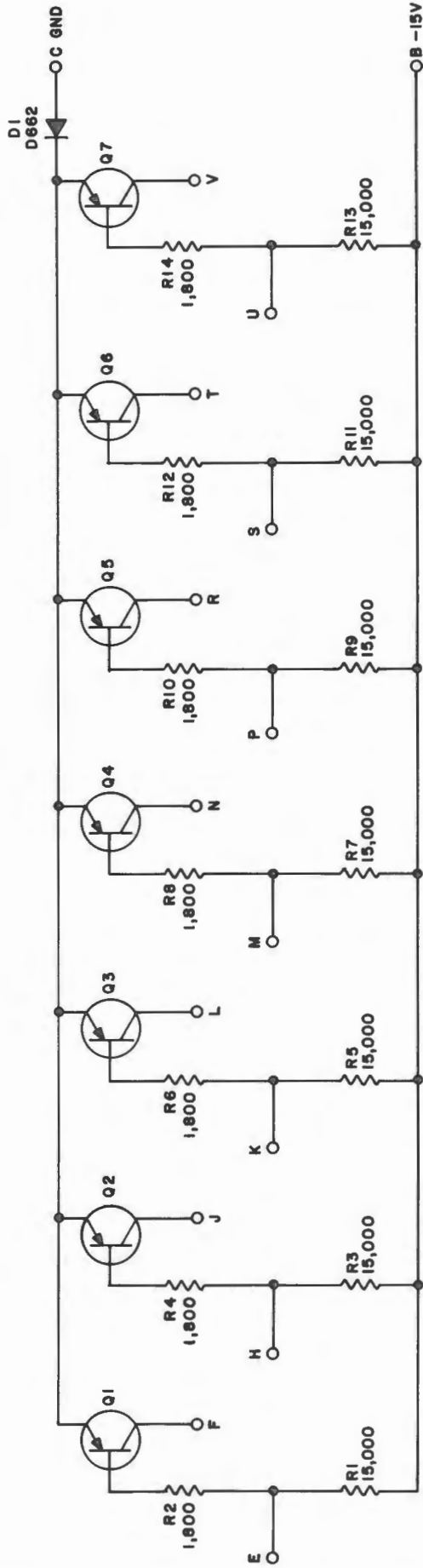


REVISIONS	CHK	CHG NO	REV	6748	B
	6645	A			
DRN	CHK'D	ENG	PROD	DATE	DATE
M. Hall	J. Williams	D. J. Conada		1-12-67	1/13/67
					1/15/67
TRANSISTOR & DIODE CONVERSION CHART					
DEC	EIA	DEC	EIA		
TITLE					
CABLE CONNECTOR W037					
SIZE	CODE	NUMBER	REV.		
B	CS	W037-O-1	B		
PRINTED CIRCUIT REV.				A	B
digital EQUIPMENT CORPORATION MAYNARD, MASSACHUSETTS					

DEC FORM NO
 DRB 102

REV. D
 NUMBER W050-0-1
 SIZE CODE B CS

THIS SCHEMATIC IS FURNISHED ONLY FOR TEST AND MAINTENANCE PURPOSES. THE CIRCUITS ARE PROPRIETARY IN NATURE AND SHOULD BE TREATED ACCORDINGLY. COPYRIGHT 1964 BY DIGITAL EQUIPMENT CORPORATION



UNLESS OTHERWISE INDICATED:
 RESISTORS ARE 1/4W; 10%
 TRANSISTORS ARE DEC6534D (DEC6534B
 MAY BE SUBSTITUTED)

REVISIONS		DATE		DATE		DATE		DATE		DATE		DATE	
CHK	CHG NO.	REV	6069	DRN	A. OUELLETTE	6-22-64	DEC	DEC6534D	EIA	MP38534	DEC	DEC662	EIA
CHK	6619	2	6069	CHK'D	R. BANK	6-22-64	DEC	D662	EIA	ING45	DEC	D662	EIA
REV	6619	2	6069	ENG	R. BANK	6-22-64	DEC	D662	EIA	ING45	DEC	D662	EIA
REV	6619	2	6069	PROD.	R. BANK	6-22-64	DEC	D662	EIA	ING45	DEC	D662	EIA

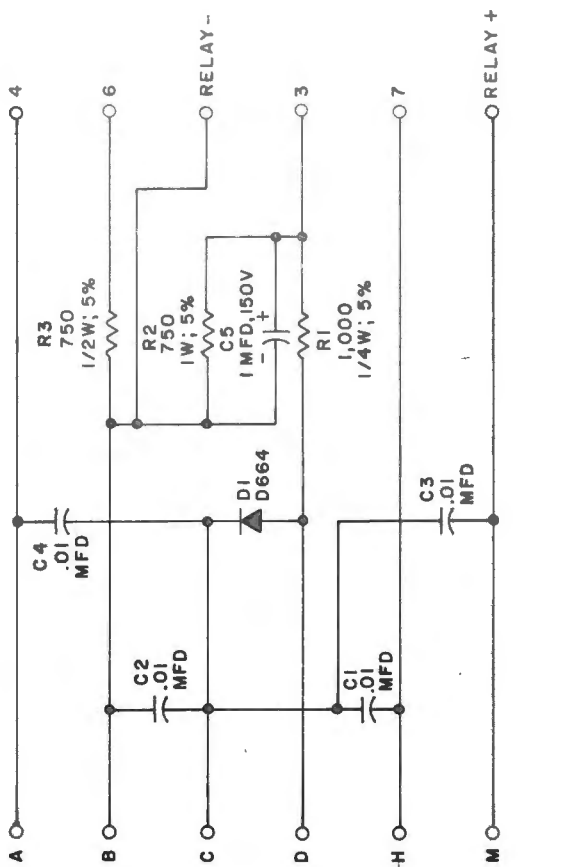
TRANSISTOR & DIODE CONVERSION CHART

DEC	DEC6534D	EIA	MP38534
DEC	D662	EIA	ING45

TITLE INDICATOR DRIVER W050
 SIZE CODE NUMBER B CS W050-0-1
 REV. D
 PRINTED CIRCUIT REV. C

SIZE CODE B
 CS
 NUMBER 1-0-020M
 REV C

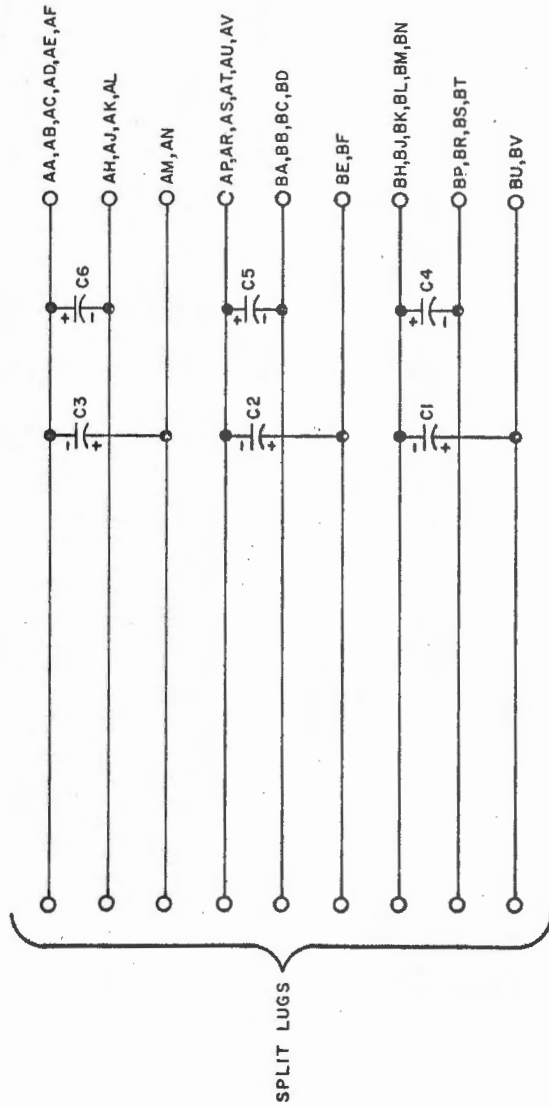
THIS SCHEMATIC IS FURNISHED ONLY FOR TEST AND MAINTENANCE PURPOSES. THE CIRCUITS ARE PROPRIETARY IN NATURE AND SHOULD BE TREATED ACCORDINGLY. COPYRIGHT 1965 BY DIGITAL EQUIPMENT CORPORATION



1 2 3 4 5 6 7 8 9 10 11 12 13 14 15 16 17 18 19 20 21 22 23 24 25 26 27 28 29 30 31 32 33 34 35 36 37 38 39 40 41 42 43 44 45 46 47 48 49 50 51 52 53 54 55 56 57 58 59 60 61 62 63 64 65 66 67 68 69 70 71 72 73 74 75 76 77 78 79 80 81 82 83 84 85 86 87 88 89 90 91 92 93 94 95 96 97 98 99 100

REV 5986 C	DAW 5213 2	HR 5213 2	REVISIONS
DRN 1. HAHN	DATE 4-2-65	TRANSISTOR & DIODE CONVERSION CHART	
CHK'D R. SILVERMAN	DATE 4-8-65	DEC D664	EIA IN3606
ENGR M. ARSENAULT	DATE 4-5-65	digital EQUIPMENT CORPORATION 960 MAIN STREET, MAYNARD, MASSACHUSETTS	
PROD 1		TITLE TELETYPE CONNECTOR W070	
		REV B	CS W070-0-1
		CS	C

RS-B-W071



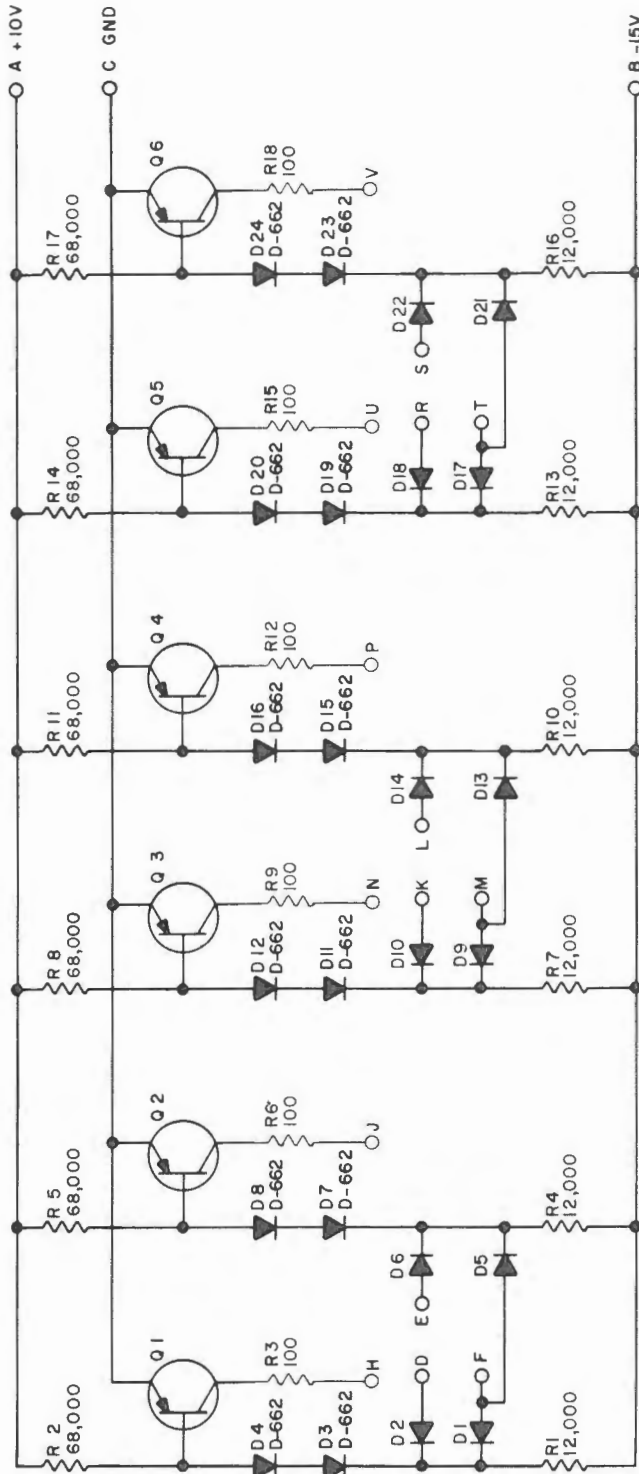
UNLESS OTHERWISE INDICATED
CAPACITORS ARE KEMET 6.8 MFD 35V DC

TRANSISTOR & DIODE CONVERSION CHART		NOTES
DEC	EIA	
	EIA	<p>THIS SCHEMATIC IS FURNISHED ONLY FOR TEST AND MAINTENANCE PURPOSES. THE CIRCUITS ARE PROPRIETARY IN NATURE AND SHOULD BE TREATED ACCORDINGLY.</p> <p>COPYRIGHT 1966 BY DIGITAL EQUIPMENT CORPORATION</p>
	DEC	
	EIA	
	DEC	
	EIA	
	DEC	
	EIA	
	DEC	
	EIA	
	DEC	

A RS-B-W071
POWER CONNECTOR W071

SIZE CODE NUMBER REV
 B CS W101-0-1 B
 B REV

THIS SCHEMATIC IS FURNISHED ONLY FOR TEST AND MAINTENANCE PURPOSES. THE CIRCUITS ARE PROPRIETARY IN NATURE AND SHOULD BE TREATED ACCORDINGLY. COPYRIGHT 1964 BY DIGITAL EQUIPMENT CORPORATION

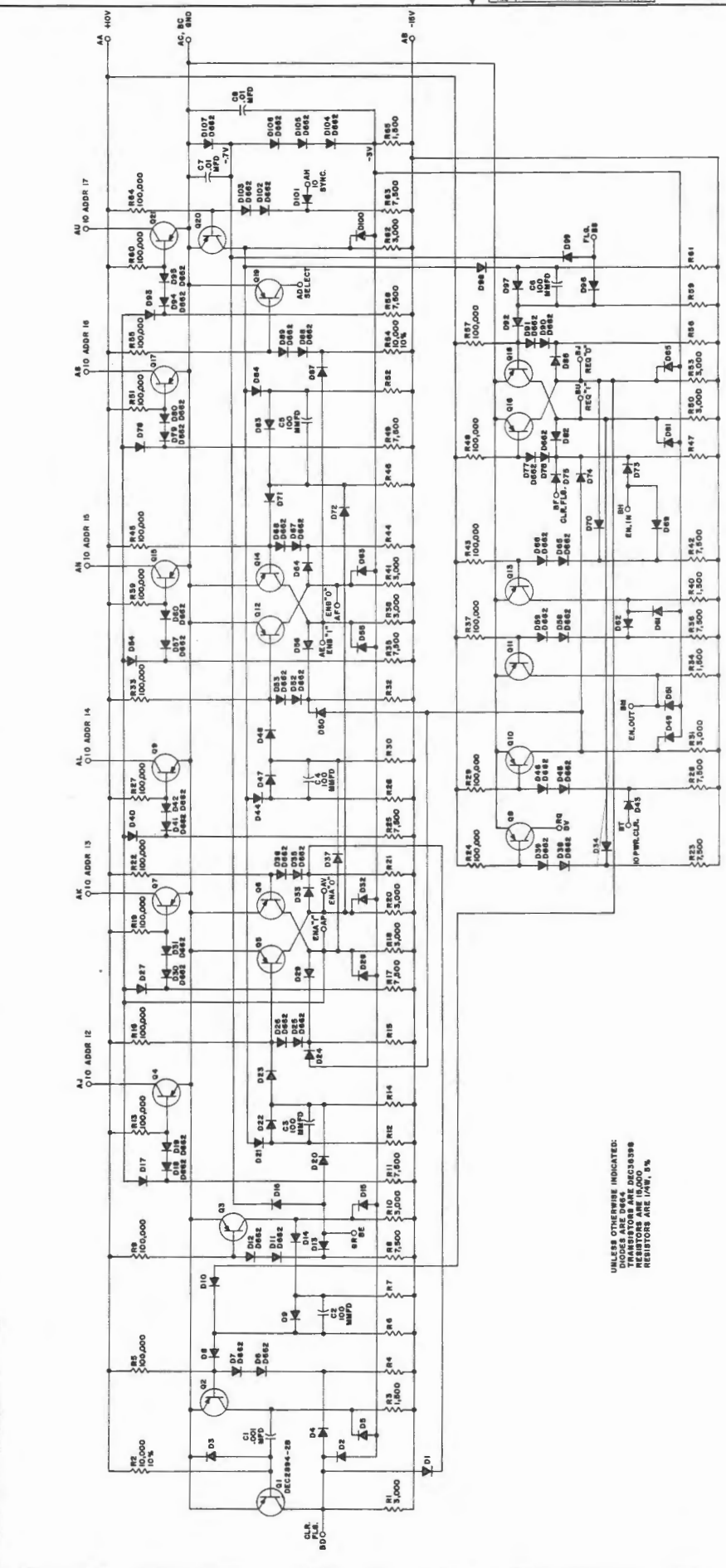


UNLESS OTHERWISE INDICATED:
 TRANSISTORS ARE DEC2894-IB
 RESISTORS ARE 1/4 W, 10%
 DIODES ARE D-664

REVISIONS	CHK CHG NO REV	REV 9 REDR	5705	B
		5672	A	
DRN	DATE	DRN	DATE	
A. OUELLETTE	8-31-64			
CHK'D	DATE	CHK'D	DATE	
N. PERRYMAN	9-4-64			
ENG	DATE	ENG	DATE	
D. WHITE	9-4-64			
PROD	DATE	PROD	DATE	
TRANSISTOR & DIODE CONVERSION CHART				
DEC	EIA	FIA	FIA	
DEC2894-IB	NONE			
D662	IN645			
D664	IN3606			
TITLE				
IO BUS DRIVER W101				
SIZE CODE NUMBER				
B	CS	W101-0-1	B	
REV				
B				
PRINTED CIRCUIT REV				
B				

DIGITAL EQUIPMENT CORPORATION • MAYNARD, MASSACHUSETTS

THIS SCHEMATIC IS CONSIDERED ONLY FOR TEST AND MAINTENANCE PURPOSES. THE CIRCUITS ARE PROPRIETARY IN NATURE AND SHOULD BE TREATED ACCORDINGLY. COPYRIGHT © 1977 BY DIGITAL EQUIPMENT CORPORATION

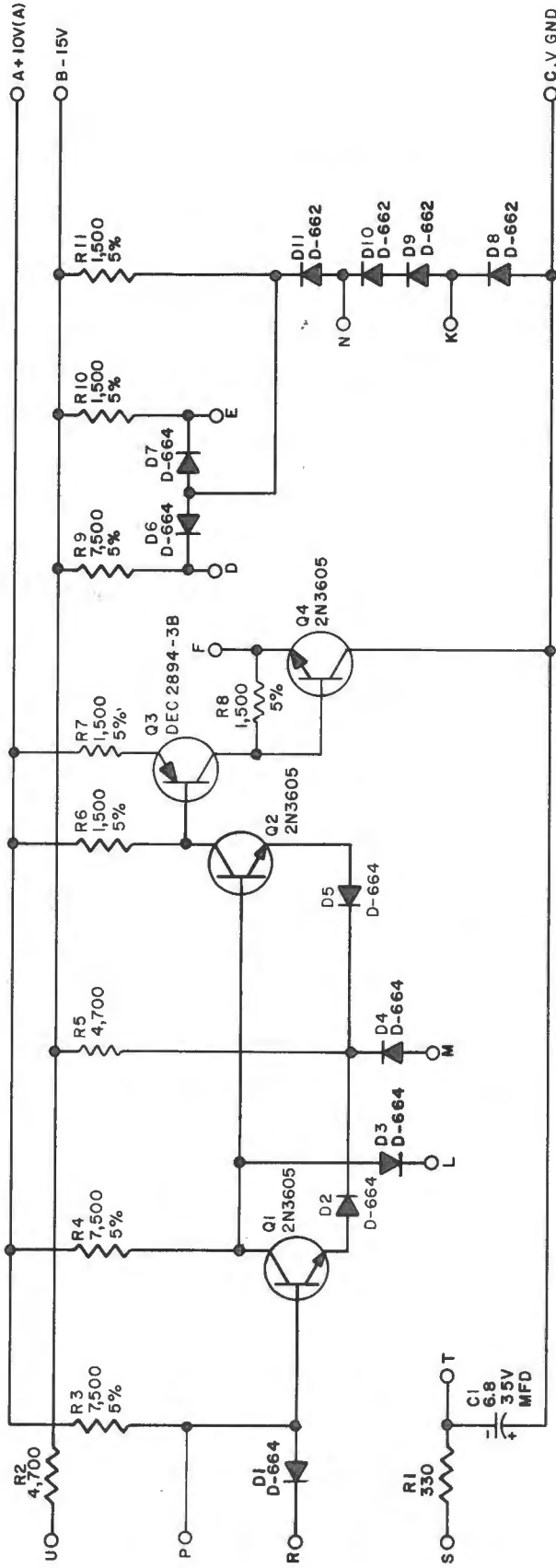


UNLESS OTHERWISE INDICATED:
 DIODES ARE D964
 TRANSISTORS ARE 2N2839B
 RESISTORS ARE 1/4W, 5%

TRANSISTOR & DIODE CONVERSION CHART	
DESIGNATION	MANUFACTURER
Q1-Q100	2N2839B
D1-D100	D964
R1-R100	RESISTORS

PDP-9 I/O BUS MULTI- PLEXER CONTROL W104	
REV.	DESCRIPTION
1	INITIAL DESIGN
2	REVISED
3	REVISED
4	REVISED
5	REVISED
6	REVISED
7	REVISED
8	REVISED
9	REVISED
10	REVISED
11	REVISED
12	REVISED
13	REVISED
14	REVISED
15	REVISED
16	REVISED
17	REVISED
18	REVISED
19	REVISED
20	REVISED
21	REVISED
22	REVISED
23	REVISED
24	REVISED
25	REVISED
26	REVISED
27	REVISED
28	REVISED
29	REVISED
30	REVISED
31	REVISED
32	REVISED
33	REVISED
34	REVISED
35	REVISED
36	REVISED
37	REVISED
38	REVISED
39	REVISED
40	REVISED
41	REVISED
42	REVISED
43	REVISED
44	REVISED
45	REVISED
46	REVISED
47	REVISED
48	REVISED
49	REVISED
50	REVISED
51	REVISED
52	REVISED
53	REVISED
54	REVISED
55	REVISED
56	REVISED
57	REVISED
58	REVISED
59	REVISED
60	REVISED
61	REVISED
62	REVISED
63	REVISED
64	REVISED
65	REVISED
66	REVISED
67	REVISED
68	REVISED
69	REVISED
70	REVISED
71	REVISED
72	REVISED
73	REVISED
74	REVISED
75	REVISED
76	REVISED
77	REVISED
78	REVISED
79	REVISED
80	REVISED
81	REVISED
82	REVISED
83	REVISED
84	REVISED
85	REVISED
86	REVISED
87	REVISED
88	REVISED
89	REVISED
90	REVISED
91	REVISED
92	REVISED
93	REVISED
94	REVISED
95	REVISED
96	REVISED
97	REVISED
98	REVISED
99	REVISED
100	REVISED

RS-B-W501-5



UNLESS OTHERWISE INDICATED:
RESISTORS ARE 1/4W; 10%

TRANSISTOR & DIODE CONVERSION CHART

DEC	EIA	DEC	EIA
DEC 2894-3B	2N3605	DEC 2894-3B	2N3605
D-662	1N4145	D-664	1N4145
D-664	1N4145	D-662	1N4145
2N3605	2N3605		

NOTES

THIS SCHEMATIC IS FURNISHED ONLY FOR TEST AND MAINTENANCE PURPOSES. THE CIRCUITS ARE PROPRIETARY IN NATURE AND SHOULD BE TREATED ACCORDINGLY.

COPYRIGHT 1964 BY DIGITAL EQUIPMENT CORPORATION

1 2 3 4 5 6 7 8 9 10 11 12 13 14 15 16 17 18 19 20 21 22 23 24 25 26 27 28 29 30 31 32 33 34 35 36 37 38 39 40 41 42 43 44 45 46 47 48 49 50

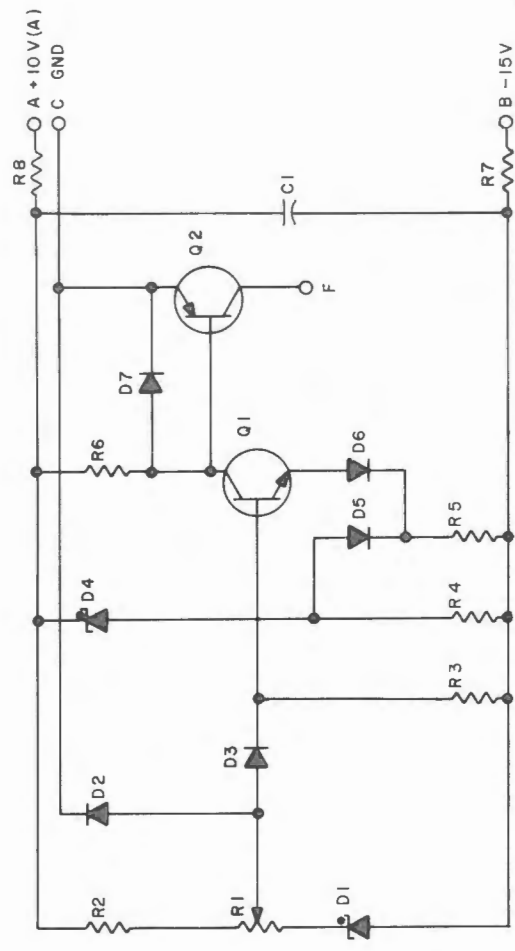
F RS-B-W501

5

SCHMITT TRIGGER W501

SIZE CODE NUMBER REV
 B CS W505-0-1 B

THIS SCHEMATIC IS FURNISHED ONLY FOR TEST AND MAINTENANCE PURPOSES. THE CIRCUITS ARE PROPRIETARY IN NATURE AND SHOULD BE TREATED ACCORDINGLY. COPYRIGHT 1965 BY DIGITAL EQUIPMENT CORPORATION



REFERENCE DESIGNATION	DESCRIPTION	PART NO.
Q2	TRANSISTOR DEC2894-3B-S	1503099
Q1	TRANSISTOR DEC3009B	1503100
R7, R8	RES. 100 1/4W 5% CC	1300229
R6	RES. 3K 1/4W 5% CC	1300432
R5	RES. 1K 1/4W 5% CC	1300365
R4	RES. 68K 1/4W 10% CC	1300463
R3	RES. 68K 1/4W 10% CC	1300526
R2	RES. 3.9K 1/4W 5% CC	1300444
R1	RES. 5K PRINTED CKT. POT	1305451
D4	DIODE IN964A	1100127
D1	DIODE 1/4M 6.8AZ5	1100102
D2, D3, D5, D6, D7	DIODE D664	1100114
C1	CAP. 0.1MFD 50V 20% D.CER.	1000030

REVISIONS	CHG NO	REV	BY	DATE
		A		
		B		

TRANSISTOR & DIODE CONVERSION CHART	DEC	EIA
D664	IN3606	
IN964A	N	SAME
1/4M 6.8AZ5	IN4099	
DEC2894-3B	N	SAME
DEC3009B	2N3009	

DATE	DRN	DATE	CHK'D	DATE	ENG	DATE	PROD
3-1-65	L. HAHN	3-3-65	N. PERRYMAN	3-3-65	N. BOISSE		

* 15V 10%
 digital
 EQUIPMENT CORPORATION
 MAYNARD, MASSACHUSETTS

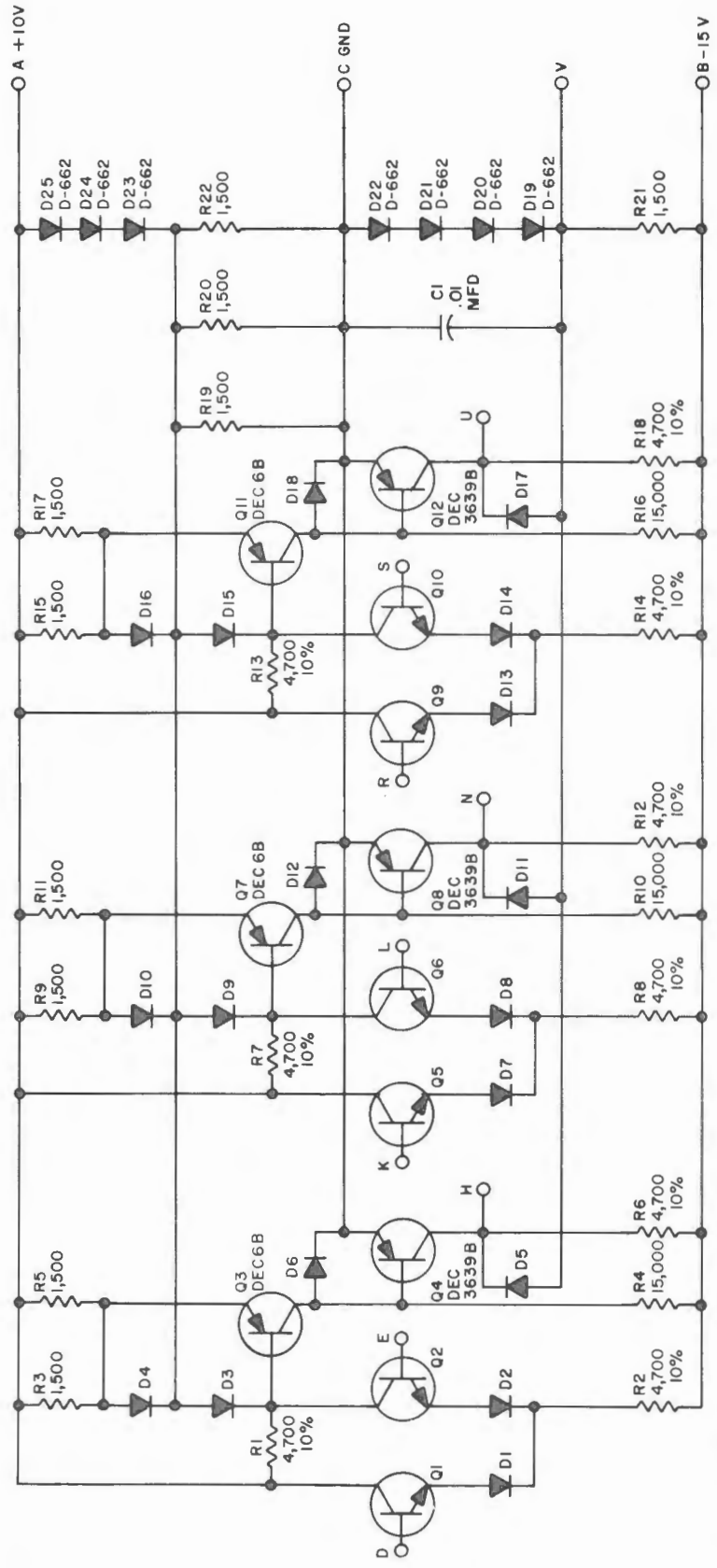
TITLE	SIZE	CODE	NUMBER	REV
LOW VOLTAGE DETECTOR W505	B	CS	W505-0-1	B

PRINTED CIRCUIT REV	B	B	B	B	B

DEC FORM NO. DRB 102
 DIS: 324 434 435
 1' INK
 DIGITAL EQUIPMENT CORPORATION • MAYNARD, MASSACHUSETTS

SIZE CODE NUMBER
 B CS W520-0-1
 C REV
 A3

THIS SCHEMATIC IS FURNISHED ONLY FOR TEST AND MAINTENANCE PURPOSES. THE CIRCUITS ARE PROPRIETARY IN NATURE AND SHOULD BE TREATED ACCORDINGLY. COPYRIGHT 1965 BY DIGITAL EQUIPMENT CORPORATION



UNLESS OTHERWISE INDICATED:
 RESISTORS ARE 1/4W; 5%
 DIODES ARE D-664
 TRANSISTORS ARE DEC 3009B

PARTS LIST A-PL-W520-0-0

REV 1	CHG NO	REV	REV 1	CHG NO	REV	REV 1	CHG NO	REV
DAW 516			REV 1	CHG NO	REV	REV 1	CHG NO	REV
5407			REV 1	CHG NO	REV	REV 1	CHG NO	REV
7006			REV 1	CHG NO	REV	REV 1	CHG NO	REV

DRN	DATE	DATE	DATE	DATE	DATE
A. OUELLETTE	11-24-65				
CHK'D					
N. PERRYMAN	11-29-65				
ENG					
D.A. WHITE	11-30-65				
PROD.					

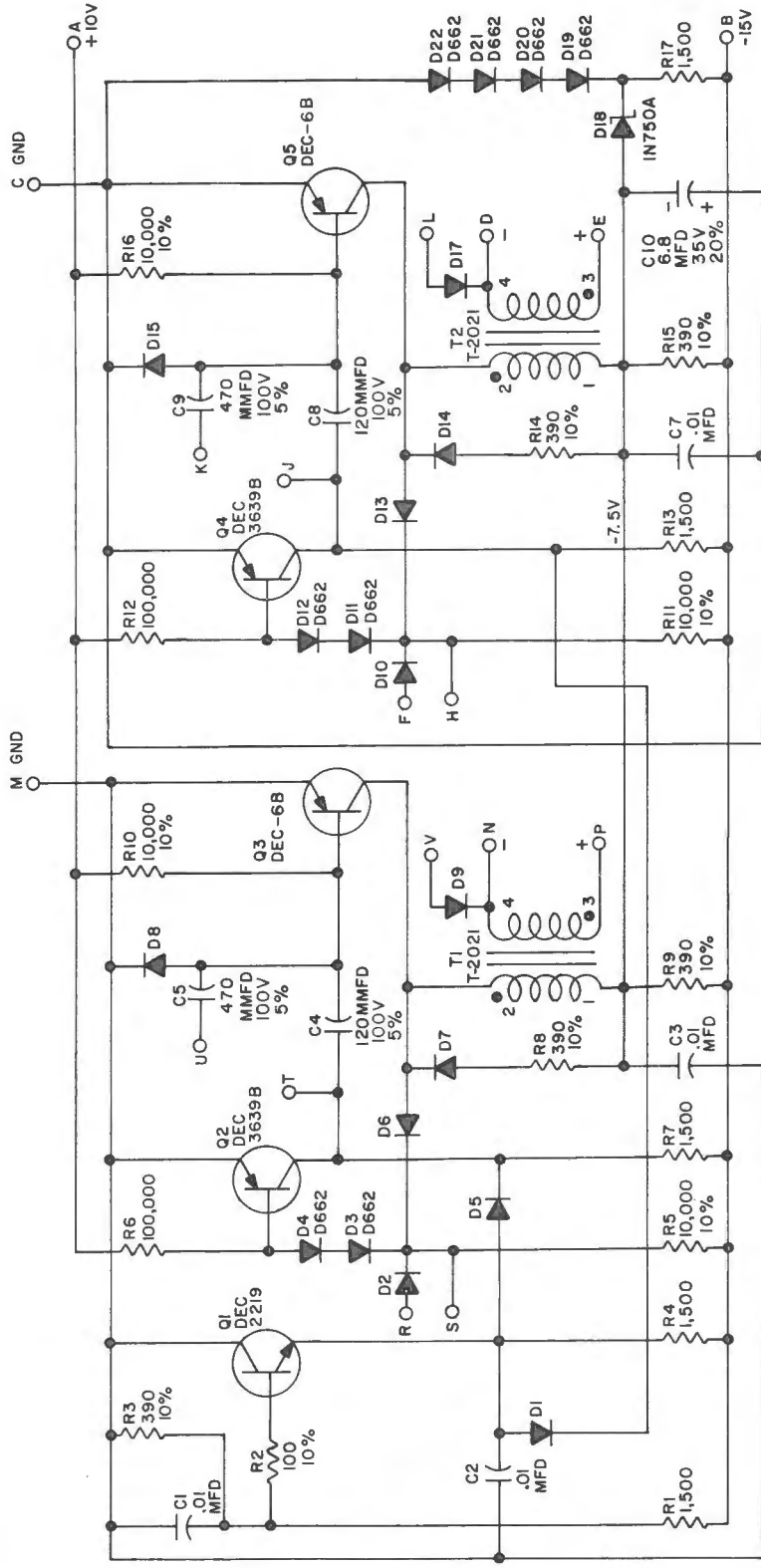
TITLE		COMPARATOR W520	
SIZE	CODE	NUMBER	REV
B	CS	W520-0-1	C
PRINTED CIRCUIT REV		B	

DIST. 324 434 435 PINK

DIGITAL EQUIPMENT CORPORATION • MAYNARD, MASSACHUSETTS

SIZE CODE NUMBER REV
 B CS W612-0-1 C

THIS SCHEMATIC IS FURNISHED ONLY FOR TEST AND MAINTENANCE PURPOSES. THE CIRCUITS ARE PROPRIETARY IN NATURE AND SHOULD BE TREATED ACCORDINGLY. COPYRIGHT 1966 BY DIGITAL EQUIPMENT CORPORATION



UNLESS OTHERWISE INDICATED:
 RESISTORS ARE 1/4W, 5%
 DIODES ARE D664

PARTS LIST A-PL-W612-0-0

REV	CHG NO	REV
A	6727	
B	7008	
C	7048	

DATE	DATE	DATE	DATE
4/14/66	4/12/66	4/12/66	4/12/66

DEC	EIA	DEC	EIA
DEC2219	2N2219	IN750A	SAME
DEC-6B	NONE	DEC3639B	2N3639
D662	IN645	D664	IN3606

TRANSISTOR & DIODE CONVERSION CHART			
DEC	EIA	DEC	EIA
IN750A	SAME		

digital
 EQUIPMENT CORPORATION
 MAYNARD, MASSACHUSETTS

TITLE PULSE AMPLIFIER W612
 SIZE CODE NUMBER
 B CS W612-0-1
 REV C

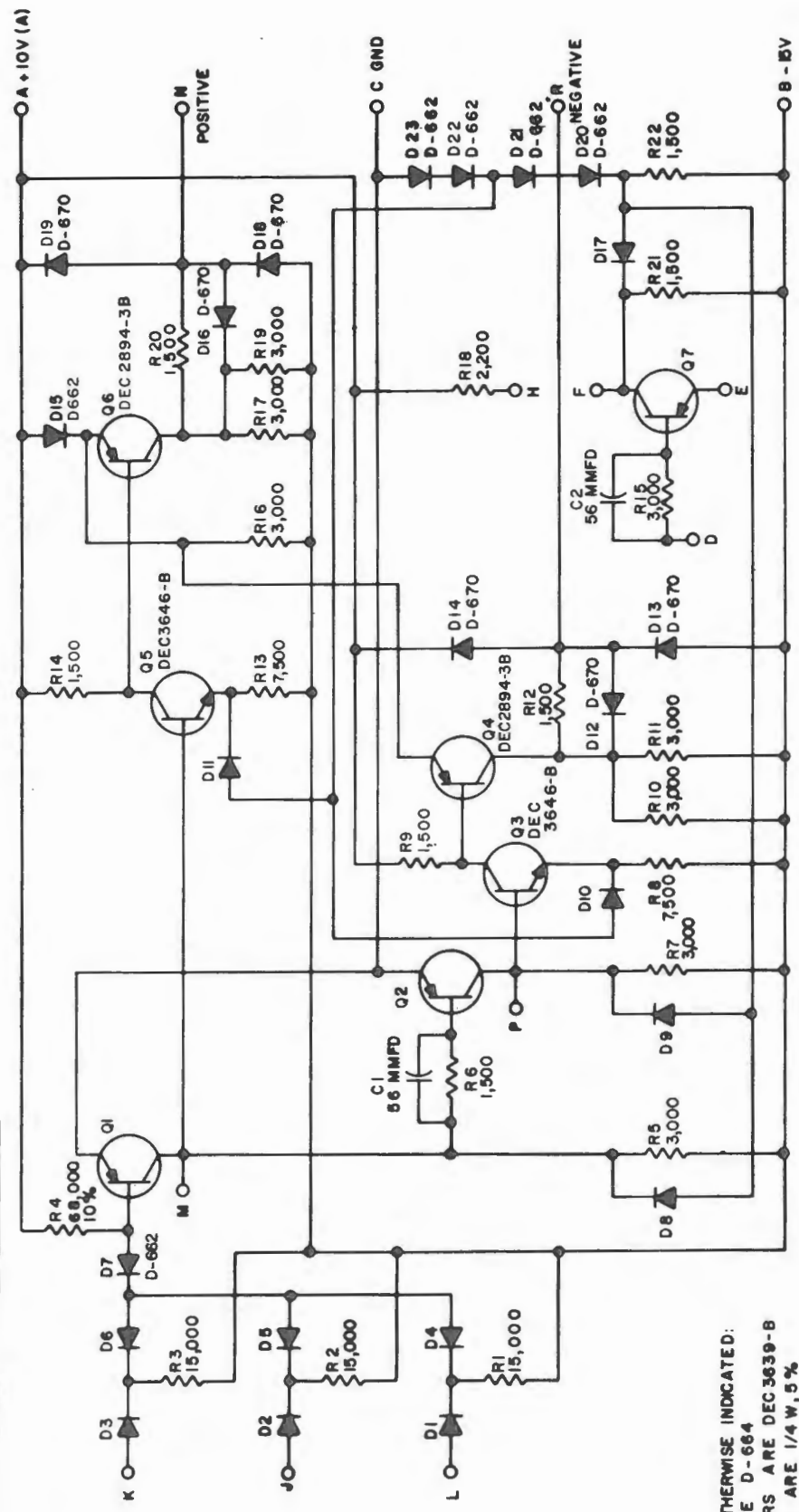
PRINTED CIRCUIT REV B
 DIST 321 454 435
 LINK

DIGITAL EQUIPMENT CORPORATION • MAYNARD, MASSACHUSETTS

DEC FORM NO DRB 102

REV. J NUMBER 1-O-189M CS B SIZE

THIS SCHEMATIC IS FURNISHED ONLY FOR TEST AND MAINTENANCE PURPOSES. THE CIRCUITS ARE PROPRIETARY IN NATURE AND SHOULD BE TREATED ACCORDINGLY. COPYRIGHT 1965 BY DIGITAL EQUIPMENT CORPORATION

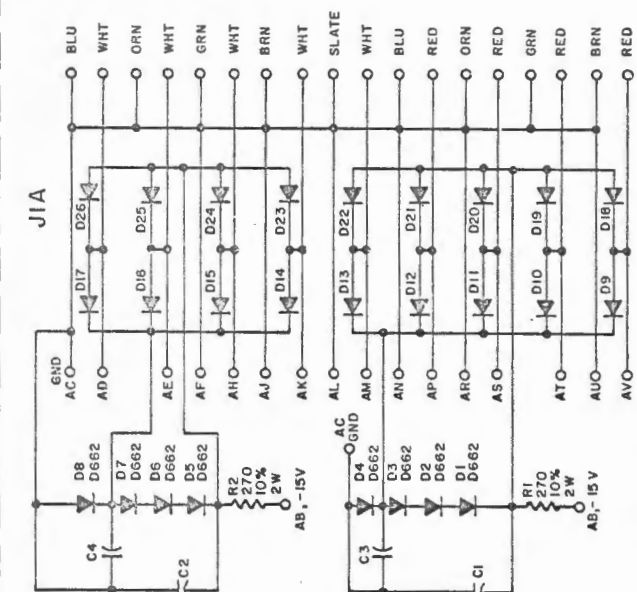
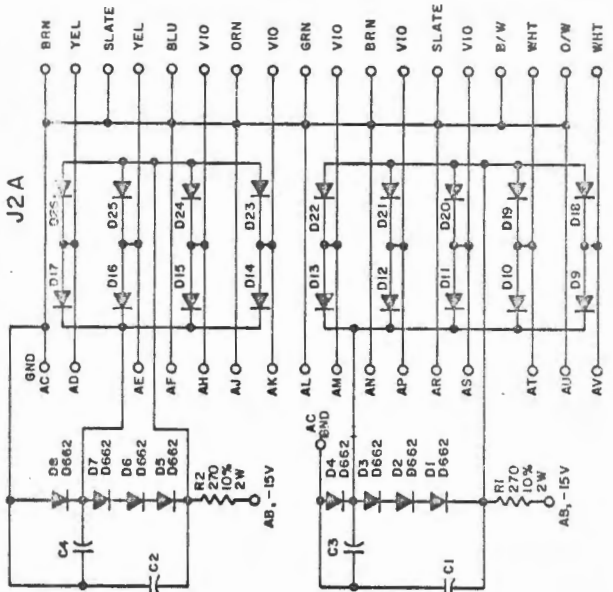
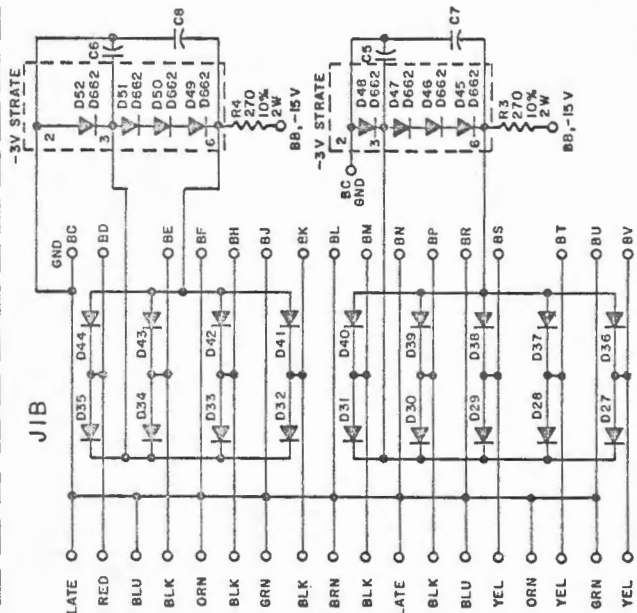
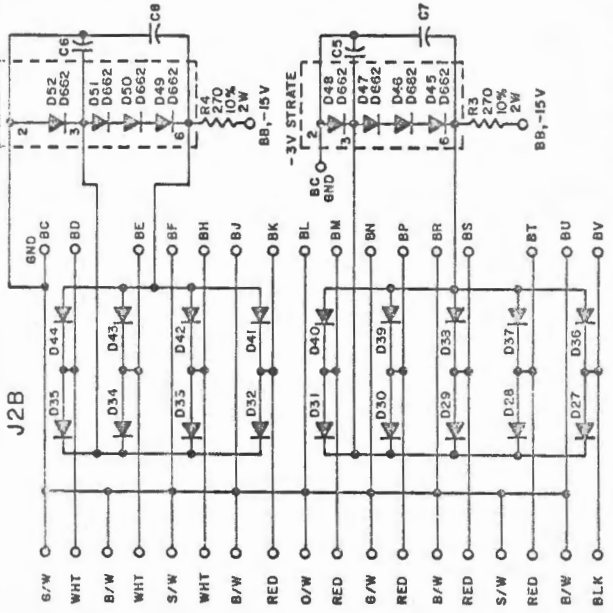


1 2 3 4 5 6 7 8 9 10 11 12 13 14 15 16 17 18 19 20 21 22 23

REV. J	NUMBER 1-O-189M	CS B	SIZE
TITLE SCOPE INTENSIFIER W681			
REVISIONS		SIZE B	NUMBER W681-O-1
REV. 5370	2	CS	F
DAW	5370	PRINTED CIRCUIT REV. A	
CHK	CHG NO.	REV. F	
REV. 5441	2	REV. F	
REV. 5586	2	REV. F	
REV. 5652	2	REV. F	
REV. 5829	2	REV. F	
TRANSISTOR & DIODE CONVERSION CHART			
DEC	EIA	DEC	EIA
DEC3639-B	2N3639-B	D670	1N3653
DEC2894-3B	NONE		
DEC3646-B	NONE		
D662	1N645		
D664	1N3606		
DATE: 4-16-65	DATE: 4-21-65	DATE: 4-20-66	DATE: 4-20-66
DRN: I. HAHN	CHK'D: R. SILVERMAN	ENG: R. SOGGE	PROD:

DEC FORM NO. DHB 107

THIS DOCUMENT IS FURNISHED ONLY FOR TEST AND MAINTENANCE PURPOSES. THE CIRCUITS ARE PROPRIETARY IN NATURE AND SHOULD BE TREATED ACCORDINGLY. COPYRIGHT 1963 BY DIGITAL EQUIPMENT CORPORATION



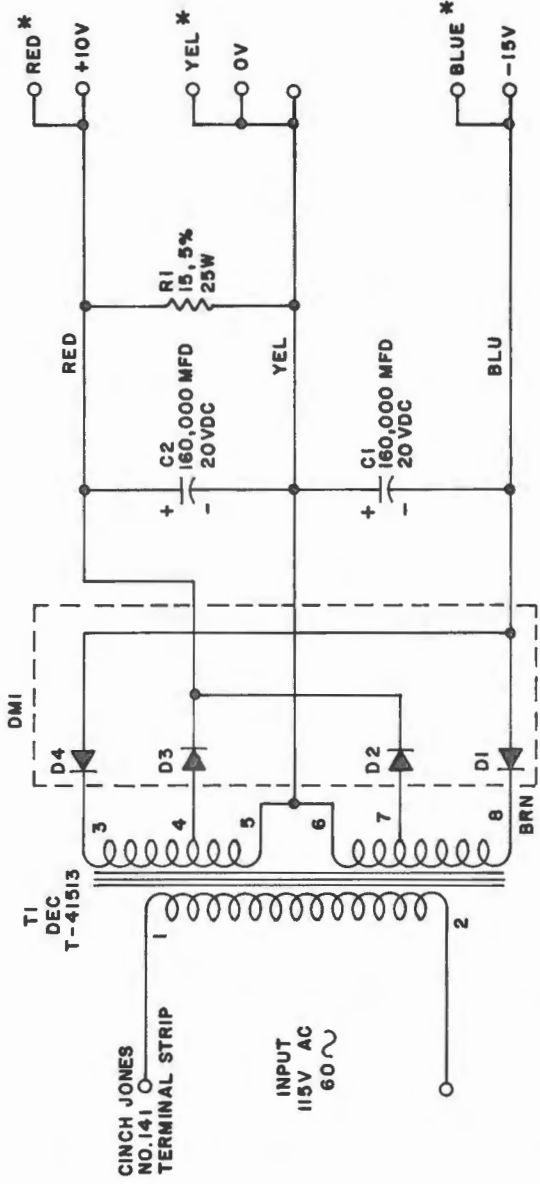
UNLESS OTHERWISE INDICATED:
DIODES ARE D664
CAPACITORS ARE .01 MFD

REV. 1		DATE 11-4-66		EIA		DEC		EIA		DEC		EIA		DEC	
DESIGNED BY R. SILVERMAN		DATE 11-4-66		ING45		ING45		ING45		ING45		ING45		ING45	
DRAWN BY R. CAJOLET		DATE 11-4-66		ING300		ING300		ING300		ING300		ING300		ING300	
CHECKED BY		DATE		EIA		DEC		EIA		DEC		EIA		DEC	
REVISIONS		DATE		EIA		DEC		EIA		DEC		EIA		DEC	
TITLE		I.O. CONNECTOR		W850		W850		W850		W850		W850		W850	
CORPORATION		EQUIPMENT		CORPORATION		CORPORATION		CORPORATION		CORPORATION		CORPORATION		CORPORATION	
NUMBER		CS		W850-0-1		W850-0-1		W850-0-1		W850-0-1		W850-0-1		W850-0-1	
REV. A		REV. A		REV. A		REV. A		REV. A		REV. A		REV. A		REV. A	

DIGITAL EQUIPMENT CORPORATION • MAYNARD, MASSACHUSETTS

SIZE	CODE	NUMBER	REV.
B	CS	728-0-1	H

THIS SCHEMATIC IS FURNISHED ONLY FOR TEST AND MAINTENANCE PURPOSES. THE CIRCUITS ARE PROPRIETARY IN NATURE AND SHOULD BE TREATED ACCORDINGLY. COPYRIGHT 1963 BY DIGITAL EQUIPMENT CORPORATION



NOTE:
 IN ORDER TO KEEP OUTPUT VOLTAGE WITHIN THE FOLLOWING LIMITS:
 +10V: +9.5 TO +11V
 -15V: -14.5 TO -16V
 THE LOADING SHOULD BE WITHIN THE FOLLOWING LIMITS:

BOTH SIDES LOADED	+10V 0 TO 7.0 AMPS
	-15V 1.0 TO 8.0 AMPS
ONE SIDE LOADED	+10V 0 TO 7.5 AMPS
	-15V 1.0 TO 8.5 AMPS

SUM OF THE OUTPUT CURRENTS ARE LIMITED BY THE EQUATION: $5I_{10} + 6I_{15} \leq 53$

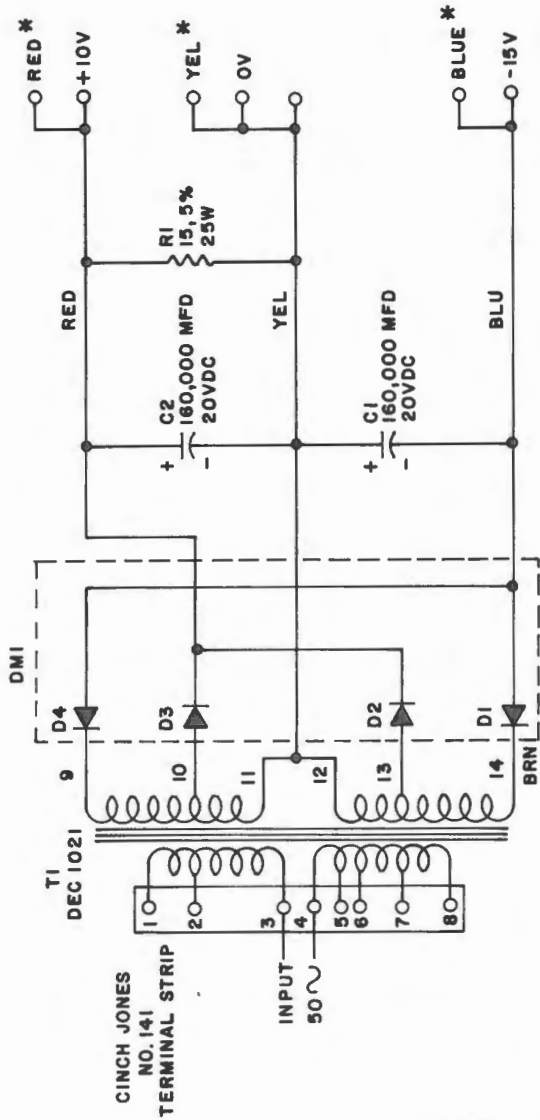
* HEYMAN MFG. CO. TAB TERMINALS

REVISIONS		DATE		TRANSISTOR & DIODE CONVERSION CHART		TITLE	
CHK	CHG NO.	DRN	DATE	DEC	EIA	DEC	EIA
DW	4608	SPALDING	11-7-61				
REV	6	CHK'D	DATE				
		N.PERRYMAN	11-8-61				
		ENG.	DATE				
		D.WARDMAN	11-9-61				
		PROD.	DATE				
				digital			
				EQUIPMENT CORPORATION			
				MAYNARD, MASSACHUSETTS			
SIZE		CODE		NUMBER		REV.	
B	CS	728-0-1	H	B	CS	728-0-1	H
				PRINTED CIRCUIT REV.			

DEC FORM NO. DRB 102

SIZE CODE B CS NUMBER 728A-0-1 REV. E

THIS SCHEMATIC IS FURNISHED ONLY FOR TEST AND MAINTENANCE PURPOSES. THE CIRCUITS ARE PROPRIETARY IN NATURE AND SHOULD BE TREATED ACCORDINGLY. COPYRIGHT 1963 BY DIGITAL EQUIPMENT CORPORATION



NOTE:

INPUT VOLTAGE	JUMPER	LINE
112.5 10%	2-4, 3-7	3, 4
123.5 10%	1-4, 3-8	3, 4
195 10%	1-5	3, 4
220 10%	1-6	3, 4
235 10%	2-8	3, 4

IN ORDER TO KEEP OUTPUT VOLTAGE WITHIN THE FOLLOWING LIMITS:
 +10V: +9.5 TO +11V
 -15V: -14.5 TO -16V

THE LOADING SHOULD BE WITHIN THE FOLLOWING LIMITS:

BOTH SIDES LOADED	+10V 0 TO 7.0 AMPS
ONE SIDE LOADED	-15V 1.0 TO 8.0 AMPS
ONE SIDE LOADED	+10V 0 TO 7.5 AMPS
ONE SIDE LOADED	-15V 1.0 TO 8.5 AMPS

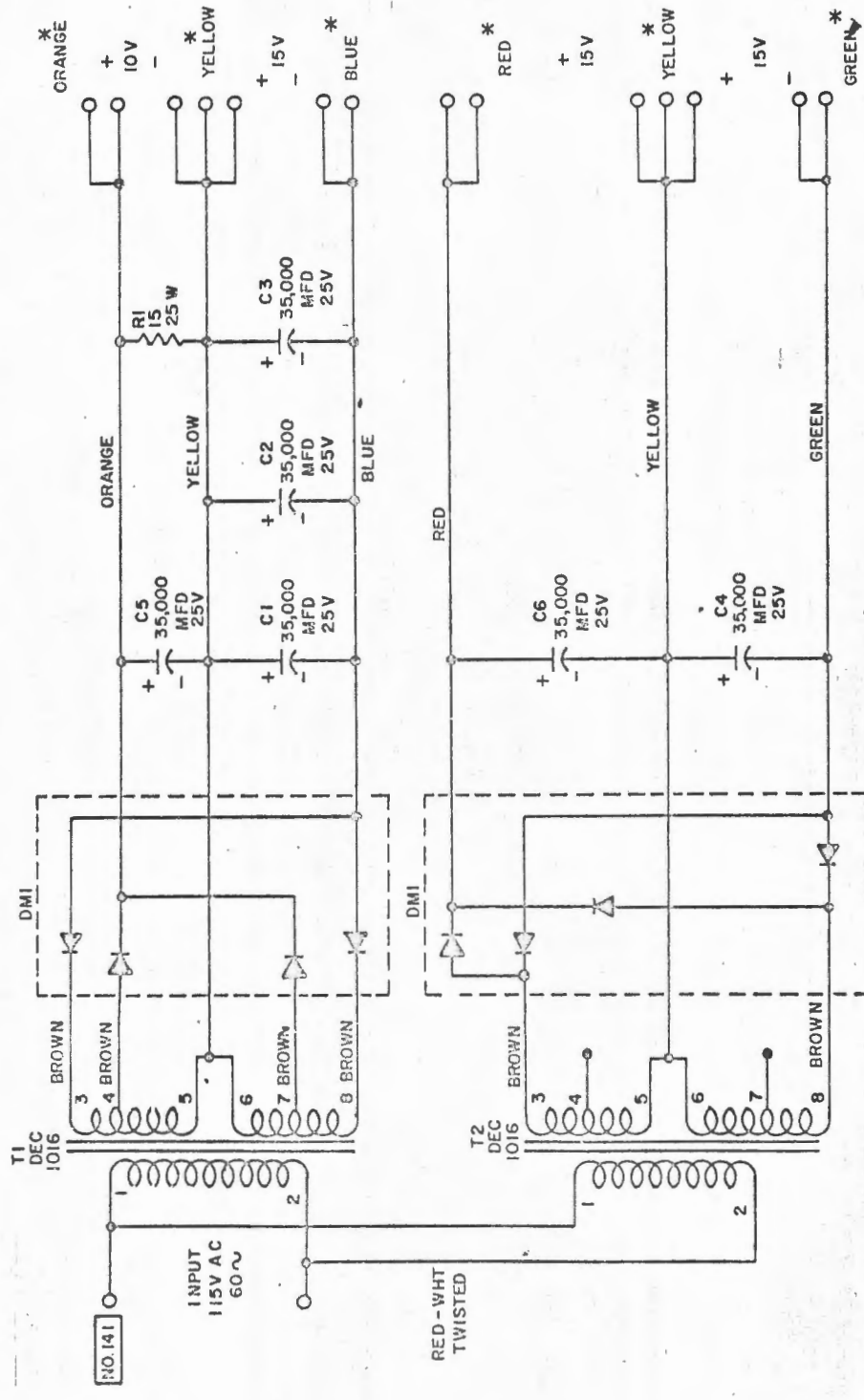
SUM OF THE OUTPUT CURRENTS ARE LIMITED BY THE EQUATION: $5I_{10} + 6I_{15} = 53$

* HEYMAN MFG. CO. TAB TERMINALS

REVISIONS		DRN	KOBLER	DATE	9-23-63	TRANSISTOR & DIODE CONVERSION CHART		TITLE	
CHK	4804	CHK'D	A.VARTANIAN	DATE	9-24-63	DEC	EIA	DEC	EIA
REV	6032	ENG.	D.A. WHITE	DATE	9-30-63				
		PROD.		DATE					
							digital		POWER SUPPLY 728A
							EQUIPMENT CORPORATION		SIZE CODE NUMBER
							MAYNARD, MASSACHUSETTS		B CS 728A-0-1
									REV. E
									PRINTED CIRCUIT REV.

DEC FORM NO. DRB 102

79-3



UNLESS OTHERWISE INDICATED

* HEYMAN MFG CO TAB - TERMINAL IN PLASTIC BUSHING

□ CINCH JONES TERMINAL STRIP

DIODE CONVERSION CHART

DIODE	DIODE	CONVERSION	CHART
EIA	DEC	EIA	

NOTES

THIS SCHEMATIC IS FURNISHED ONLY FOR TEST AND MAINTENANCE PURPOSES. THE CIRCUITS ARE PROPRIETARY IN NATURE AND SHOULD BE TREATED ACCORDINGLY.

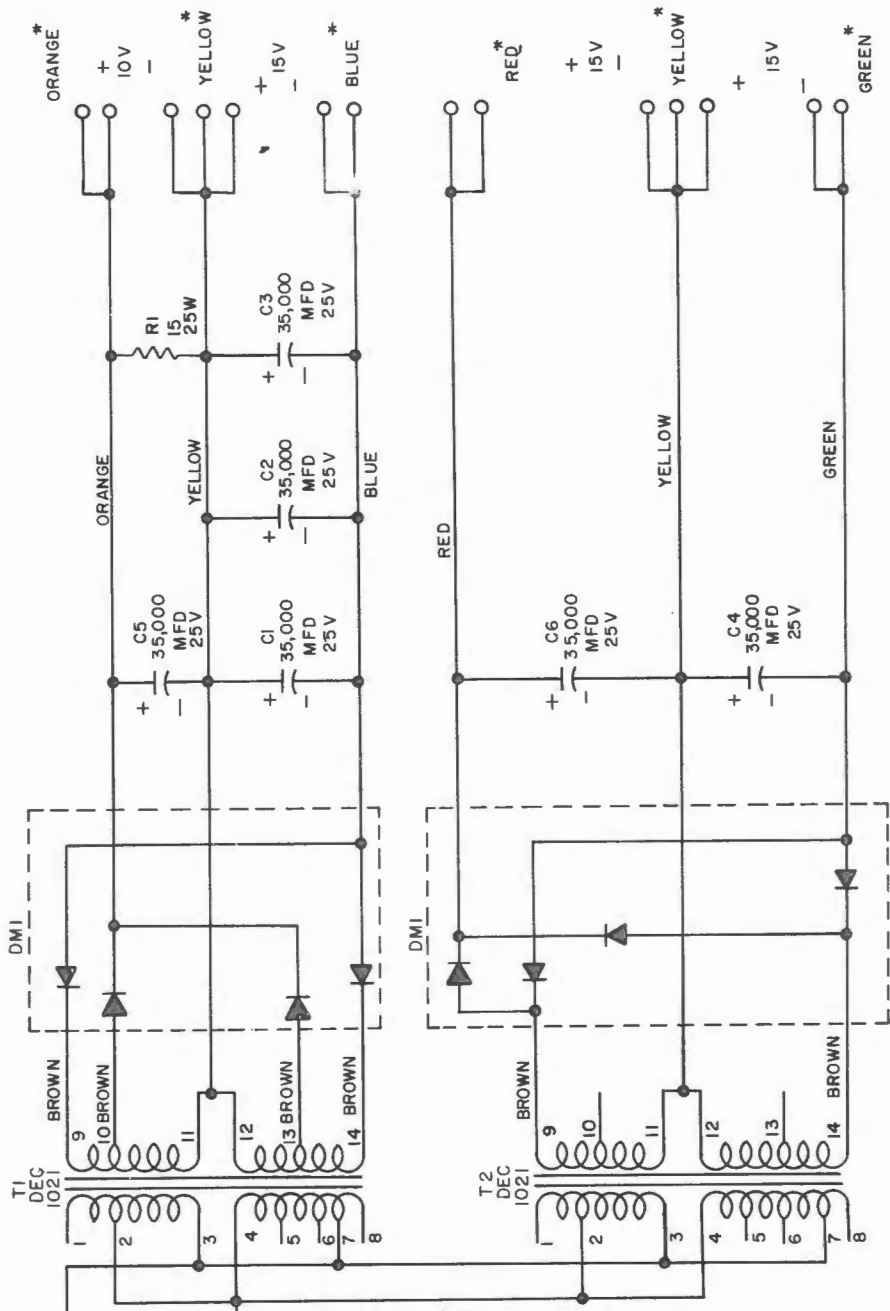
COPYRIGHT 1963 BY DIGITAL EQUIPMENT CORPORATION

3

RS-779

POWER SUPPLY 779

RS-779A-3



NOTE: RED - WHT TWISTED

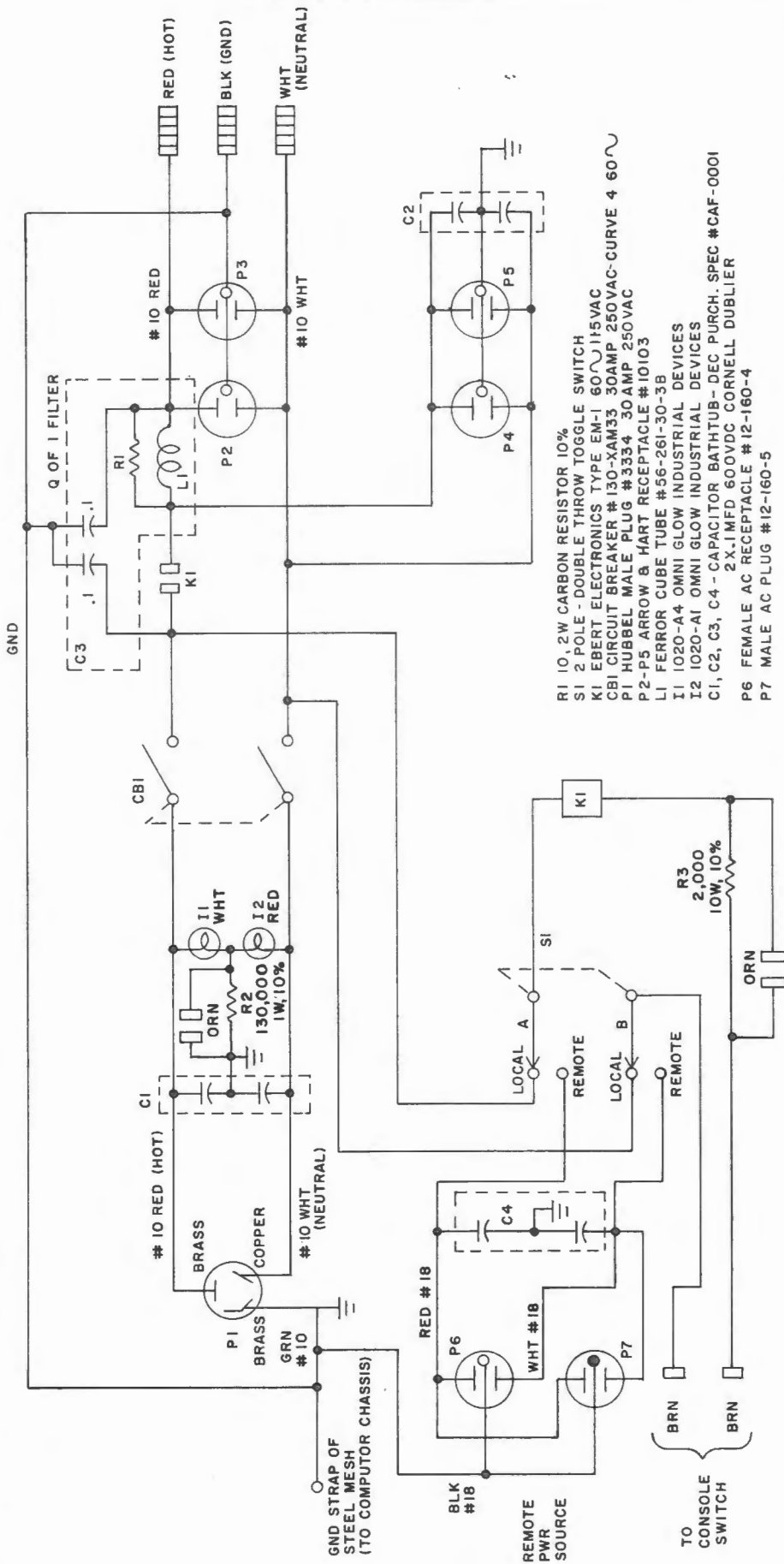
INPUT VOLTAGE	JUMPER	LINE
112.5V 10%	2-4,3-7	3,4
123.5V 10%	1-4,3-8	3,4
195V 10%	1-5	3,4
220V 10%	1-6	3,4
235V 10%	2-8	3,4

UNLESS OTHERWISE INDICATED:
 ** HEYMAN MFG CO TAB - TERMINAL IN PLASTIC BUSHING
 [] CINCH JONES TERMINAL STRIP

TRANSISTOR & DIODE CONVERSION CHART		NOTES	THIS SCHEMATIC IS FURNISHED ONLY FOR TEST AND MAINTENANCE PURPOSES. THE CIRCUITS ARE PROPRIETARY IN NATURE AND SHOULD BE TREATED ACCORDINGLY.	COPYRIGHT 1963 BY DIGITAL EQUIPMENT CORPORATION	POWER SUPPLY 779A	3
DEC	EIA					

SIZE CODE: B CS
 NUMBER: 841-A-1
 REV: A

THIS SCHEMATIC IS FURNISHED ONLY FOR TEST AND MAINTENANCE PURPOSES. THE CIRCUITS ARE PROPRIETARY IN NATURE AND SHOULD BE TREATED ACCORDINGLY. COPYRIGHT 1966 BY DIGITAL EQUIPMENT CORPORATION



- R1 10, 2W CARBON RESISTOR 10%
- S1 2 POLE - DOUBLE THROW TOGGLE SWITCH
- K1 EBERT ELECTRONICS TYPE EM-1 60V/115VAC
- CBI CIRCUIT BREAKER #130-XAM33 30AMP 250VAC-CURVE 4 60
- P1 HUBBEL MALE PLUG #3334 30AMP 250VAC
- P2-P5 ARROW 8 HART RECEPTACLE #10103
- L1 FERROR CUBE TUBE #56-261-30-3B
- I1 1020-A4 OMNI GLOW INDUSTRIAL DEVICES
- I2 1020-A1 OMNI GLOW INDUSTRIAL DEVICES
- C1, C2, C3, C4 - CAPACITOR BATHTUB-DEC PURCH. SPEC #CAF-0001
- P6 FEMALE AC RECEPTACLE #12-160-4
- P7 MALE AC PLUG #12-160-5

REVISIONS		DATE		DATE		DATE		DATE	
CHK	CHG NO	DRN	Mr. Walker	DEC	EIA	DEC	EIA	DEC	EIA
936		CHK'D		DEC		DEC		DEC	
		ENG							
		PROD							
TITLE		TRANSISTOR & DIODE CONVERSION CHART							
POWER CONTROL 841A		DEC		EIA		DEC		EIA	
SIZE	CODE	NUMBER	REV.						
B	CS	841-A-1	A						
EQUIPMENT		MAYNARD, MASSACHUSETTS							
CORPORATION									
PRINTED CIRCUIT REV.									

DEC FORM NO. DRB 102

