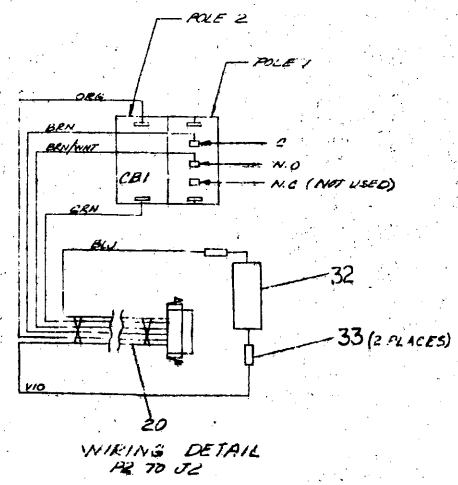
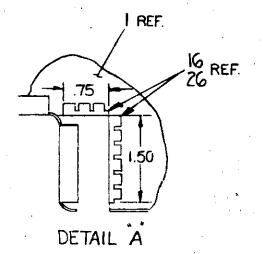
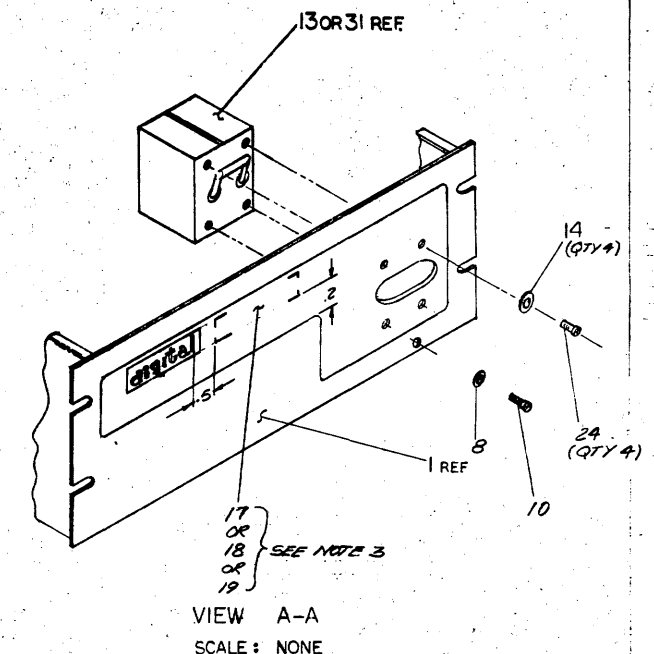
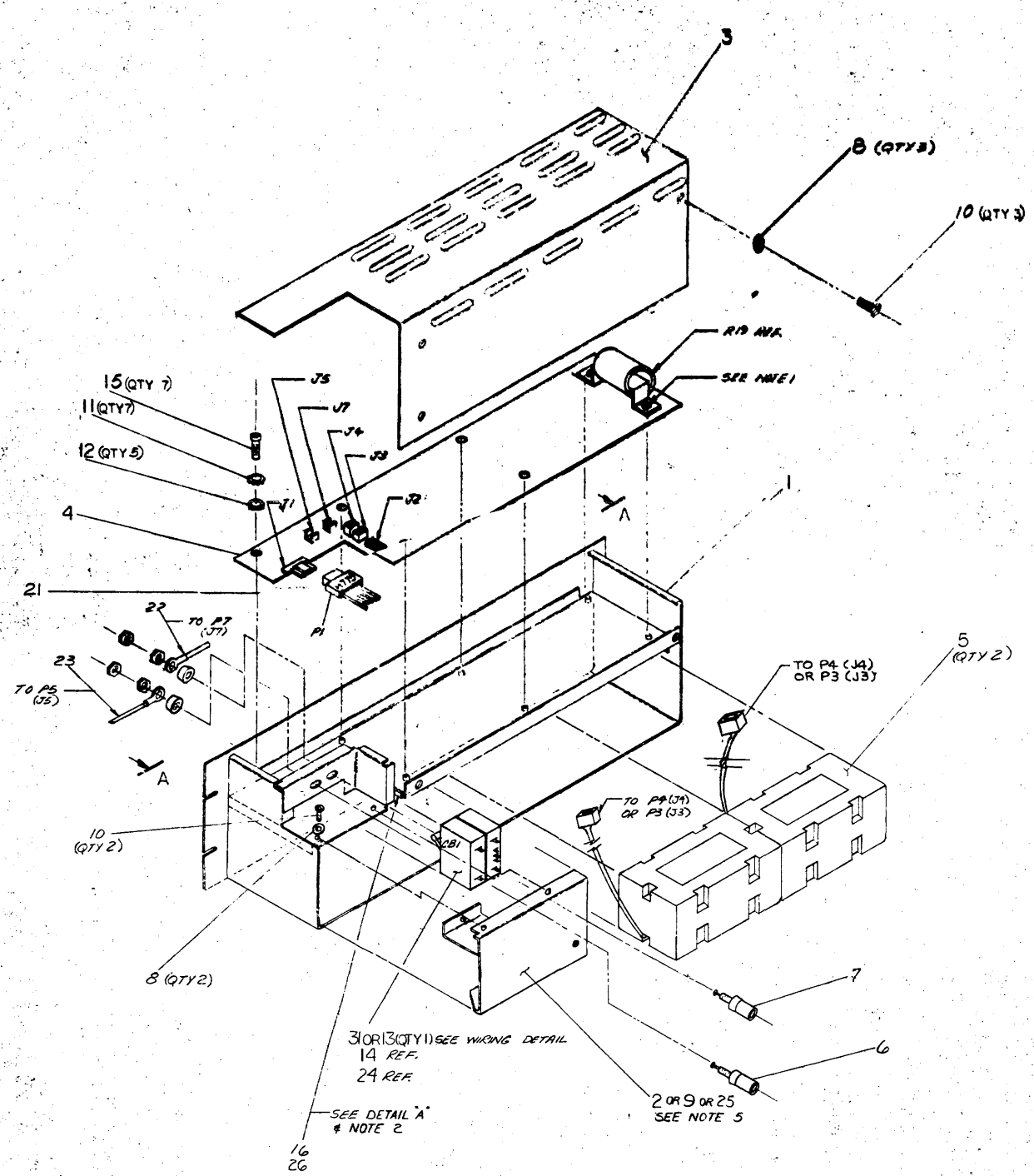


THIS DRAWING AND SPECIFICATIONS HEREBY ARE THE PROPERTY OF BENTON ELECTRONIC CORPORATION AND SHALL NOT BE REPRODUCED OR COPIED OR USED IN WHOLE OR IN PART WITHOUT THE WRITTEN PERMISSION OF BENTON ELECTRONIC CORPORATION.



NOTES:

- ITEM 11 IS ALSO USED TO MOUNT POWER RESISTORS (R19) DO NOT USE FLAT WASHER (ITEM 12).
- INSTALL GRAMMET (ITEM 11) ON BOTH EDGES OF CABLE ACCESS OPENING.
- CENTER DECAL ON SURFACE & PLACE APPROX RES DIM INDICATED IN VIEW A-A.
- ASSEMBLY OF H705 TO H775-BB OR BA ARE NOT SHOWN ON THIS DOCUMENT SYSTEM DOCUMENTATION WILL DESIGNATE PLACEMENT OF THESE PARTS.
- WHEN INSTALLING AC BRACKETS ITEMS 25 OR 29 INTO UNIT, 3 WIRES FROM T1 (REF 7013258) MUST BE ATTACHED TO P.C. 50 (ITEM 4). WIRES 5 & 7 (FITTED WITH MATE N LOCK PINS) MUST BE INSERTED INTO POSITIONS 7 & 8 ON T1 (EITHER POSITION). WIRE 6 (FITTED WITH FAST-ON) MUST PLUG ONTO FREE SIDE OF J7.

QTY	UNIT	DESCRIPTION	REF	QTY	DESCRIPTION	REF	QTY	DESCRIPTION	REF
---	---	AIR AIR TUBING, SHRINK	9107253-02	33					
1	---	FUSE, ADAPTOR	7016682-0-0	32					
1	---	BREAKER, CIRCUIT	1212625-1	31					
1	---	DECAL H775-D	A-DC-741476-01	30					
1	---	REGULATOR	H785	29					
1	---	BATT. BACKUP 240V	H775-BB	28					
1	---	BATT. BACKUP 120V	H775-BA	27					
AR	---	HYBOND 80	9007594-00	26					
---	---	BRACKET, A.C. 220V.	E-UA-7013258-01	25					
4	---	SCR PH HD PAN #32X.25	9006020-1	24					
1	---	JUMPER, BTRY BACKUP (RED)	B-IA-702074-01	23					
1	---	JUMPER, BTRY BACKUP (BLK)	B-IA-702074-00	22					
---	---	INTERFACE CABLE	D-IA-701916-0-0	21					
1	---	WARRNESS PLUG/CKT. BRK	C-IA-701759-0-0	20					
---	---	DECAL H775-BA	A-DC-741476-0-0	19					
---	---	DECAL H775-BB	A-DC-741476-0-0	18					
---	---	DECAL H775A	A-DC-741476-0-0	17					
AR	---	GRAMMET, CATERPILLAR	9007035	16					
7	---	SCR. PH. HD PAN #2X.38	9006022-1	15					
4	---	WASHER LK. INT TOOTH	9006633	14					
---	---	CIRCUIT BREAKER	1212625	13					
5	---	WASHER FLAT #6	9006663	12					
7	---	WASHER LK. EXT. TOOTH	9006642	11					
6	---	SCREW PH. HD PAN #32X.38	9006037-01	10					
---	---	BRACKET, A.C. ASSY. 115V.	E-UA-7013258-00	9					
6	---	WASHER INT TOOTH #8	9006634	8					
1	---	POST BINDING (BLK)	1209352-05	7					
1	---	POST BINDING (RED)	1209352-01	6					
2	---	BATTERY PACK	112499	5					
1	---	BATTERY CHARGE	DUA-5466500	4					
1	---	BATTERY COVER	D-IA-701553-00	3					
1	---	BRACKET DC	E-IA-7414234-00	2					
1	---	CHASSIS ASSY	D-IA-71155-00	1					

UNLESS OTHERWISE SPECIFIED DIMENSIONS ARE IN INCHES

APPROVED: [Signature]

DATE: [Date]

REVISIONS:

DESCRIPTION: BATTERY BACK-UP ASSY

ITEM NO: H775-00

REV: 0

DATE: 12/22/74

BY: [Signature]

FOR: [Signature]

SCALE: NONE

QUANTITY: 1

OF: 1

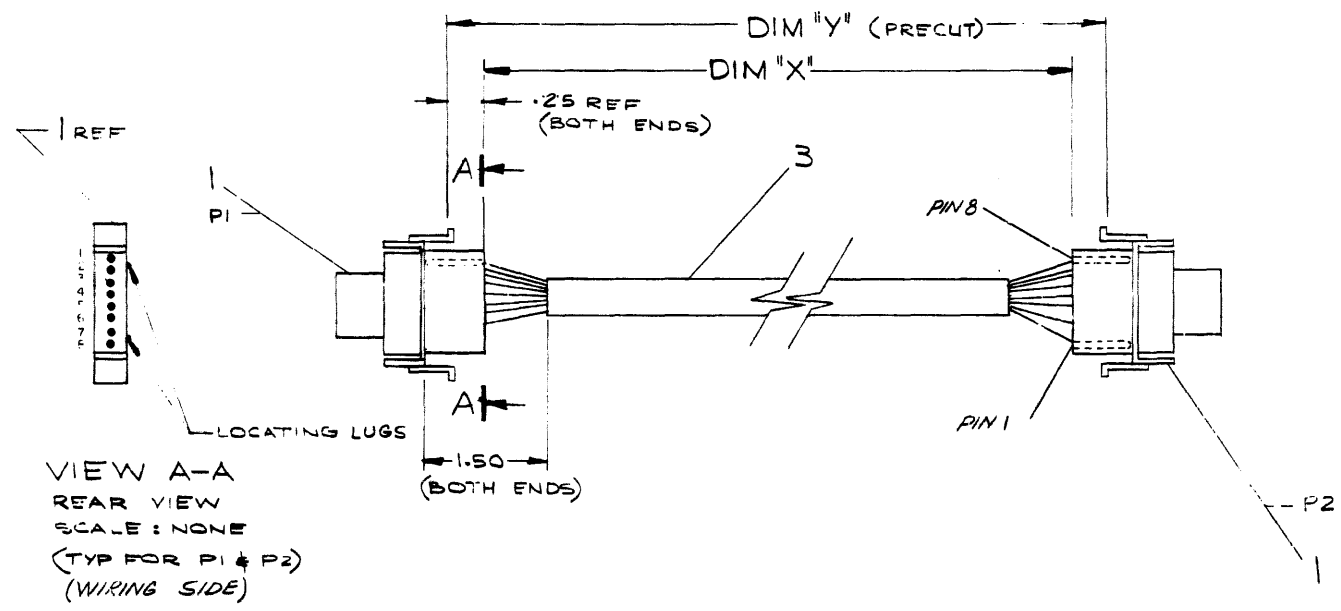
NET: 1

THIS DRAWING AND SPECIFICATIONS HEREIN ARE THE PROPERTY OF DIGITAL EQUIPMENT CORPORATION AND SHALL NOT BE REPRODUCED OR COPIED OR USED IN WHOLE OR IN PART AS THE BASIS FOR THE MANUFACTURE OR SALE OF ITEMS WITHOUT WRITTEN PERMISSION. COPYRIGHT © DIGITAL EQUIPMENT CORPORATION 1975

WIRE TABLE							
ITEM NO	DESCRIPTION	FROM		TO		REMARKS	
		AWG	COLOR	CONNECTION	WITH CONNECTION		WITH CONNECTION
4	14	ORN	PI-1	2	P2-1	2	
5	14	BLK	PI-2	1	P2-2	1	
6	14	BLUE	PI-3	1	P2-3	1	
7	14	GRAY	PI-4	1	P2-4	1	
8	14	RED	PI-5	1	P2-5	1	
9	14	WHITE	PI-6	1	P2-6	1	
10	14	YEL	PI-7	1	P2-7	1	
11	14	BRN	PI-8	2	P2-8	2	

LEGEND		
NUMBER	DIM "X" VARIATION	DIM "Y" (PRECUT) REF
7011906-05	4 FT. ± 11.50 IN ± 1.0 IN	5 FT. ± 0 IN ± 1.0 IN

NOTES:



DESCRIPTION	DWG. PART NO.	ITEM NO.
11R WIRE #14 STRD BRN	9107370-11	11
10R WIRE #14 STRD YEL	9107370-44	10
9R WIRE #14 STRD WHT	9107370-99	9
8R WIRE #14 STRD RED	9107370-22	8
7R WIRE #14 STRD GR	9107370-08	7
6R WIRE #14 STRD BLU	9107370-66	6
5R WIRE #14 STRD BLK	9107370-00	5
4R WIRE #14 STRD GRG	9107370-33	4
3R TUBING EXTR. BLK .510 ID	9107296	3
2 PIN, MALE	204373-00	2
1 CONN., 8 PIN	1209340-00	1

REV.	CHG. NO.	DATE	BY	CHK'D
A	7011906-00001		J. DAVIS	
B	7011906-00002		G. POTTER	
C	7011906-00003		G. POTTER	

THIRD ANGLE PROJECTION

REMOVE BURRS AND BREAK SHARP CORNERS

DO NOT SCALE DWG

MATERIAL SEE PARTS LIST

FINISH

UNLESS OTHERWISE SPECIFIED DIMENSIONS ARE IN INCHES

ANGLES	CLASS OF ACCURACY	NORMAL DIMENSION RANGES					
15° 30'	CHECK ONLY	0-1/8	1/8-1/4	1/4-3/8	3/8-1	1-2	2-50
		±.004	±.005	±.006	±.008	±.010	±.015

QUANTITY & VARIATION

INCHES: PREFERRED MILLIMETERS

DR: *George Draper* / *11/11/75* / FIRST USED ON: H775

CHK'D: *George Draper* / *11/11/75*

ENG: *George Draper* / *11/11/75*

PROJ. ENGR: *George Draper* / *11/11/75*

PROJ. DESIGNED: *George Draper* / *11/11/75*

NEXT HIGHER ASSY.

TITLE: INTERFACE CABLE (1/04)

SIZE: -UA-H775-0-0

SCALE: *1:1*

SHEET: 1 OF 1

DIST.:

REV. C

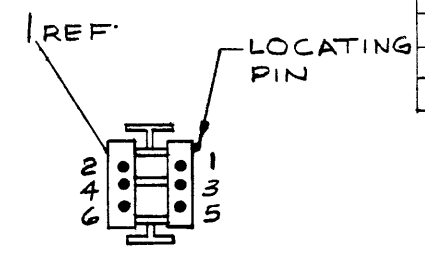
"THIS DRAWING AND SPECIFICATIONS, HEREIN, ARE THE PROPERTY OF DIGITAL EQUIPMENT CORPORATION AND SHALL NOT BE REPRODUCED OR COPIED OR USED IN WHOLE OR IN PART AS THE BASIS FOR THE MANUFACTURE OR SALE OF ITEMS WITHOUT WRITTEN PERMISSION. DIGITAL EQUIPMENT CORPORATION" COPYRIGHT © 1975

WIRE TABLE

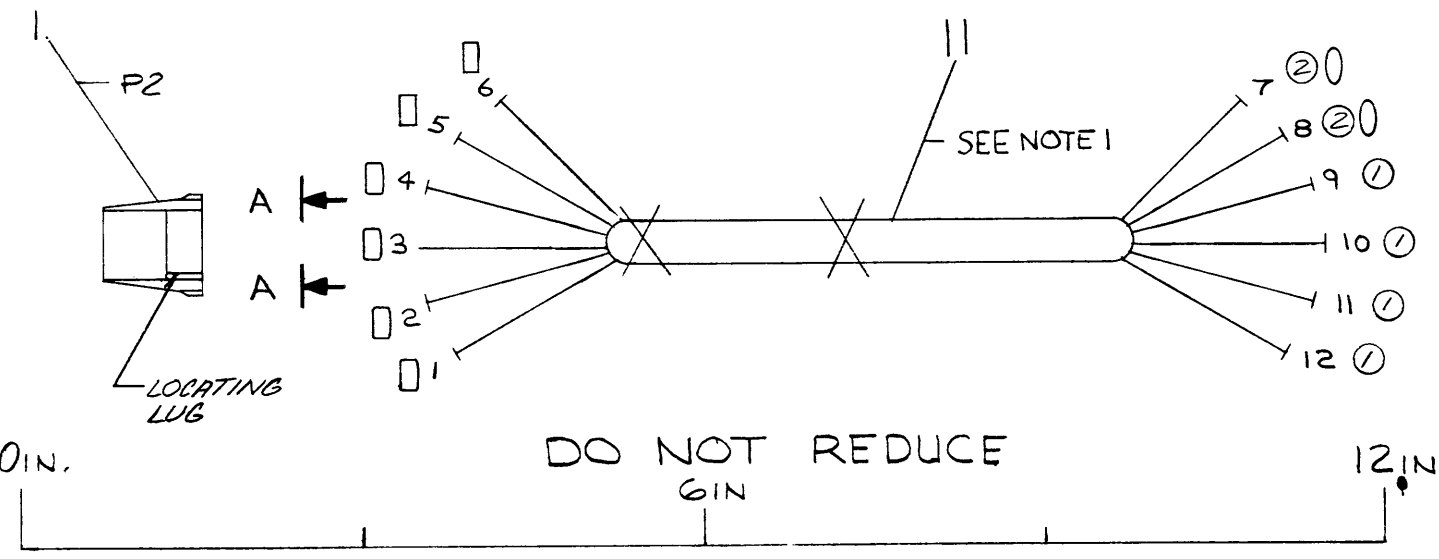
ITEM NO.	AWG	COLOR	FROM			TO		
			POINT	CONN.	WITH	POINT	CONN.	WITH
5	14	ORN	1	P2-1	2	12	-	3
6	14	GRN	2	P2-2	↑	11	↑	3
7	14	BLU	3	P2-3	↑	10	↑	3
8	14	VIO	4	P2-4	↑	9	↑	3
9	18	BRN	5	P2-5	↓	8	↓	4,12
10	18	GRY/BRN	6	P2-6	↓	7	-	4,12

NOTES:

- USE CABLE TIES (ITEM #11) APPROX. 2.0 AND 4.0 IN. FROM P2 (ITEM #1).



VIEW A-A
REAR VIEW
SCALE: NONE
(WIRING SIDE)



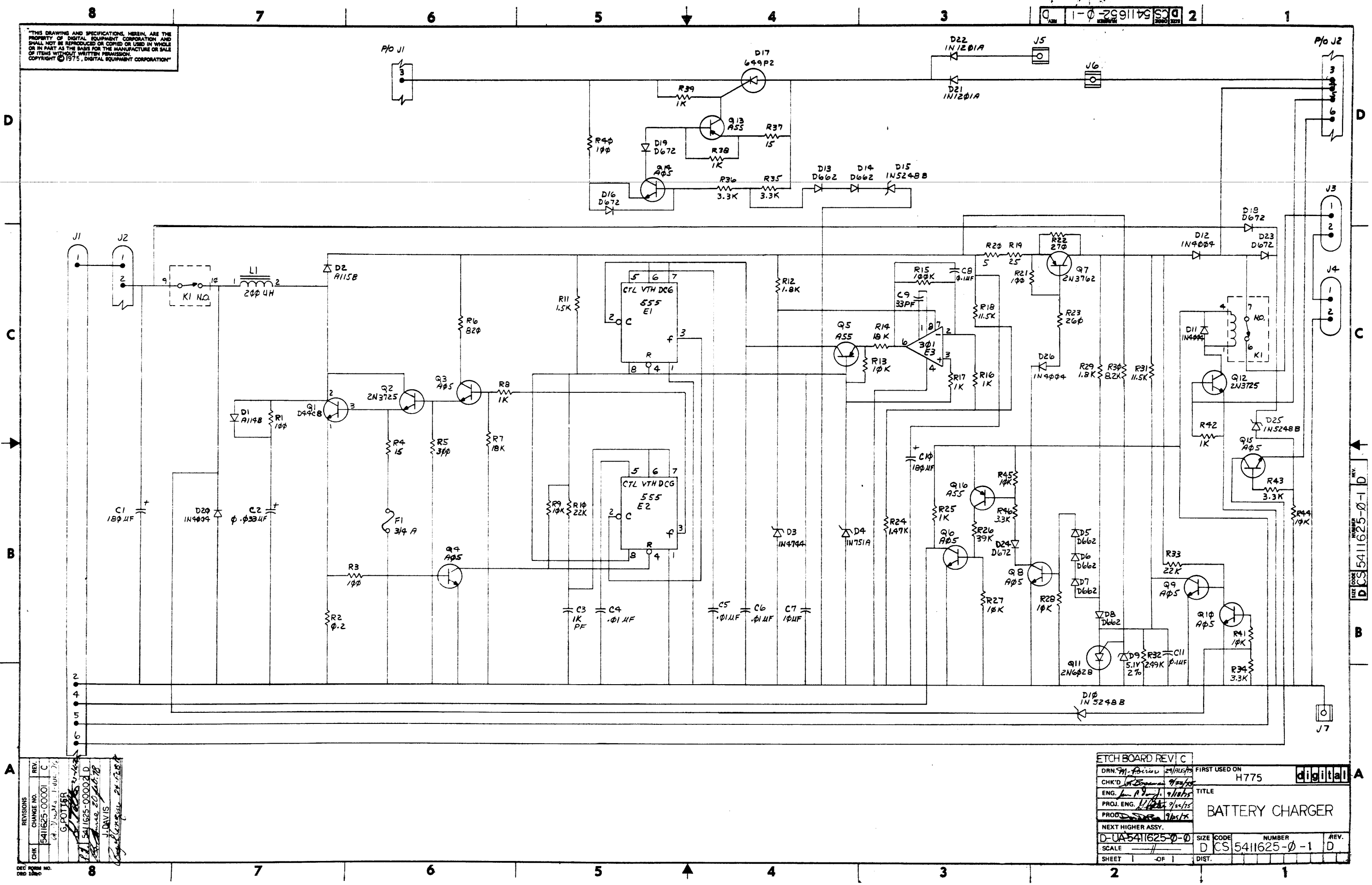
FOR MANUFACTURING PURPOSES ONLY

QTY.	DESCRIPTION	PART NO.	ITEM NO.
0	A/R TUBING, SHRINK 3/16 I.D.	9107254-00	12
X 2	TIE, CABLE	9007031	11
-	A/R WIRE*18 AWG (GRY/BRN)	9107410-81	10
-	A/R WIRE*18 AWG (BRN)	9107360-11	9
-	A/R WIRE*14 AWG (VIO)	9107370-77	8
-	A/R WIRE*14 AWG (BLUE)	9107370-66	7
-	A/R WIRE*14 AWG (GRN)	9107370-55	6
-	A/R WIRE*14 AWG (ORN)	9107370-33	5
2	TERMINAL, QUICK CONN	9008488	4
4	TERMINAL, QUICK CONNECT	9007969	3
6	PIN (FEMALE)	1209379-00	2
1	CONN, 6 PIN (FEMALE)	1210821-06	1

REV.	CHANGE NO.	DATE	BY
A	00001	1-7-76	J. B. DAVIS JR.

FIRST USED ON OPTION/MODEL H775		PARTS LIST	
DIMENSIONAL TOLERANCE		DRN	DATE
DIMENSIONS ARE INCHES UNLESS OTHERWISE SPECIFIED		CHK'D	DATE
MILLIMETERS	INCHES	ANGLES	DATE
X.XX ±0.10	.XXX ±.006	±0° 30'	DATE
X.X ±0.5	.XX ±.02		DATE
X ±.2	.X ±.1		DATE
THIRD ANGLE PROJECTION	REMOVE BURRS AND BREAK SHARP CORNERS SURFACE QUALITY ✓	TITLE HARNESS, PC BOARD/ CKT. BREAKER	
MATERIAL SEE PARTS LIST	FINISH	SIZE CODE NUMBER REV. C IA 7011759-0-0 A	
NEXT HIGHER ASSY.		SCALE 1/1 SHEET 1 OF 1	

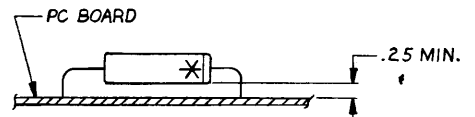
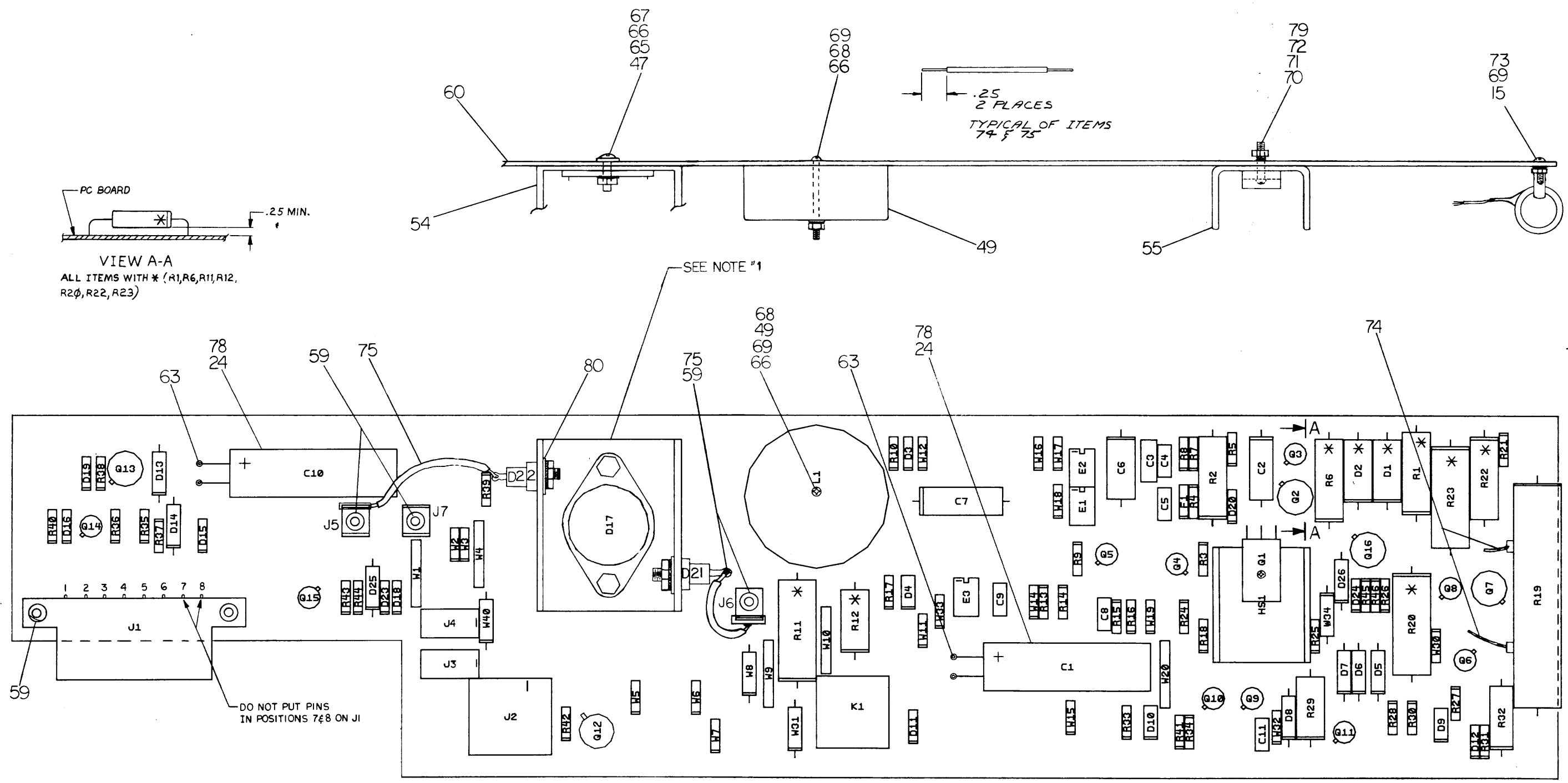
THIS DRAWING AND SPECIFICATIONS, HEREIN, ARE THE PROPERTY OF DIGITAL EQUIPMENT CORPORATION AND SHALL NOT BE REPRODUCED OR COPIED OR USED IN WHOLE OR IN PART AS THE BASIS FOR THE MANUFACTURE OR SALE OF ITEMS WITHOUT WRITTEN PERMISSION. COPYRIGHT © 1975, DIGITAL EQUIPMENT CORPORATION



REV.	CHG.	NO.	DATE	BY	REASON
1					
2					
3					
4					
5					
6					
7					
8					

ETCH BOARD REV. C		FIRST USED ON	
DRN. M. F. 2/19/75	2/19/75	H775	digital
CHK'D. J. B. 9/23/75	9/23/75	TITLE	
ENG. P. J. 9/10/75	9/10/75	BATTERY CHARGER	
PROJ. ENG. J. B. 9/23/75	9/23/75	NEXT HIGHER ASSY.	
PROD. J. B. 9/23/75	9/23/75	D-UA-5411625-0-1	
SIZE CODE		NUMBER	REV.
D CS 5411625-0-1		0-1	D
SHEET		OF	DIST.
1		1	

THIS DRAWING AND SPECIFICATIONS, WHETHER AND THE PROPERTY OF DIGITAL EQUIPMENT CORPORATION AND SHALL NOT BE REPRODUCED OR COPIED IN WHOLE OR IN PART AS THE BASIS FOR THE MANUFACTURE OR SALE OF ITEMS WITHOUT WRITTEN PERMISSION. DIGITAL EQUIPMENT CORPORATION © 1975



VIEW A-A
ALL ITEMS WITH * (R1, R6, R11, R12, R20, R22, R23)

SEE NOTE #1

.25
2 PLACES
TYPICAL OF ITEMS
74 & 75

DO NOT PUT PINS
IN POSITIONS 7&8 ON J1

NOTES: 1. NO THERMAL COMPOUND.

CHK/CHANGE NO	REV	DATE	BY
5411625-0001	C	7/15/75	G. POTTER
5411625-0002	D	7/24/75	J. DAVIS

SIGNATURES		DATE	digital
DRN M. Davies		7/24/75	
CHK'D. J. Brown		7/24/75	TITLE
ENG. J. Davis		7/15/75	BATTERY CHARGER
PROJ. ENG. J. Davis		7/24/75	REV
PROD. J. Davis		7/24/75	D
SCALE 2:1		SIZE CODE	NUMBER
SHT. 7 OF 1		D	UA 5411625-0-0
ETCH REV C FIRST USED ON			

D 5411625-0-0 D

DIGITAL EQUIPMENT CORPORATION MAYNARD, MASSACHUSETTS				QUANTITY / VARIATION			
PARTS LIST				ETCH REV C			
MADE BY	JIM DAVIS	CHECKED	P. BOSSMAN	SECTION			
DATE	4-18-75	DATE	11-4-75	1			
ENG	JIM DAVIS	PROD	D. DEROME	ISSUED SECT.			
DATE	4-18-75	DATE	9-25-75	1			
ITEM NO.	DWG NO. / PART NO.	DESCRIPTION					
1	1302380	RESISTOR 100 OHM, 2W 5%		1	R1		
2	1311604	RESISTOR 0.2 OHM, 2W 3%		1	R2		
3	1300229	RESISTOR 100 OHM, 1/4W 5%		3	R3 R21 R40		
4	1301421	RESISTOR 15 OHM, 1/4 10%		2	R4 R37		
5	1301425	RESISTOR 300 OHM, 1/4W 5%		1	R5		
6	1301966	RESISTOR 820 OHM, 2W 10%		1	R6		
7	1302465	RESISTOR 18K, 1/4W 5%		2	R7 R14		
8	1300365	RESISTOR 1K, 1/4W 5%		7	R8 R16 R17 R25 R38 R39 R42		
9	1300479	RESISTOR 10K, 1/4W 5%		7	R9 R13 R27 R28 R41 R44 R45		
10	1301808	RESISTOR 22K, 1/4W 5%		2	R10 R33		
11	1301897	RESISTOR 1.5K, 5W 5%		1	R11		
12	1303122	RESISTOR 1.8K, 1W 5%		2	R12 R29		
13	1302466	RESISTOR 100K, 1/4W 5%		1	R15		
14	1305108	RESISTOR 1.47K, 1%, 1/4W		1	R24		
15	1300190	RESISTOR 25 OHM 25W WITH BRACKETS 1%		1	R19		
16	1305815	RESISTOR 5 OHM, 5W 5%		1	R20		
17	1305380	RESISTOR 270 OHM, 2W 5%		1	R22		
18	1309963	RESISTOR 260 OHM, 5W 1%		1	R23		
19	1303179	RESISTOR 8.2K 1/4W 5%		2	R26 R30		
20	1309415	RESISTOR 11.5K, 1/4W 1%		2	R18 R31		
21	1300424	RESISTOR 2.49K 3/4W 1%		1	R32		
22	1300439	RESISTOR 3.3K, 1/4W 5%		5	R34 R35 R36 R43 R46		
TITLE		ASSY NO.	SIZE CODE	NUMBER	REV	ECO NO.	
BATTERY CHARGER		D-UA-5411625-0-0	A PL	5411625-0-0	D	5411625-00002	
SHEET 1 OF 4		DIST					

DEC FORM DEC 16 (325) 1031 N870
DRA 110

DIGITAL EQUIPMENT CORPORATION MAYNARD, MASSACHUSETTS				QUANTITY / VARIATION			
PARTS LIST				ETCH REV C			
MADE BY	JIM DAVIS	CHECKED	P. BOSSMAN	SECTION			
DATE	4-18-75	DATE	11-4-75	1			
ENG	JIM DAVIS	PROD	D. DEROME	ISSUED SECT.			
DATE	4-18-75	DATE	9-25-75	1			
ITEM NO.	DWG NO. / PART NO.	DESCRIPTION					
45	1105275	DIODE D672		5	D16 D19 D18 D23 D24		
46	1110006	DIODE 1201A RECT		2	D21 D22		
47	1109465	SCR MCR649P2		1	D17		
48	1210929-03	3/4 AMP. PICO FUSE		1	F1		
49	1612500	INDUCTOR 200 UH		1	L1		
50	1211138-01	RELAY DPDT 6VDC		1	K1		
51	1211139	RELAY SOCKET HOUSING		1	KK1		
52	1211342-06	CONN. MATE-N-LOCK 6 PIN		1	J2		
53	1211342-02	HEADER MATE-N-LOCK 2 PIN		2	J3 J4		
54	1212645	HEAT SINK		1	HS2		
55	1212487	HEAT SINK		1	HS1		
56	1911944	IC LM555 TIMER		2	E1 E2		
57	1910282	IC LM301A OP AMP		1	E3		
58	9008219	QUICK CONNECT 1/2 IN. SINGLE MALE 90°		1	J6		
59	9009000	EYELETS		5			
60	5011624	ETCHED CIRCUIT BOARD		1			
61	1209340	8 PIN MATE-N-LOCK		1	J1		
62	1209456-01	SOCKETS FOR 1209340		6	J1-1, J1-2, J1-3, J1-4, J1-5, J1-6		
63	9009118-03	TERMINAL, SOLDER		4			
64	9007113	DOUBLE MALE QUICK CONNECT 90°		2	J5 J7		
TITLE		ASSY NO.	SIZE CODE	NUMBER	REV	ECO NO.	
BATTERY CHARGER		D-UA-5411625-0-0	A PL	5411625-0-0	D		
SHEET 3 OF 4		DIST					

DEC FORM DEC 16 (325) 1031 N870
DRA 110

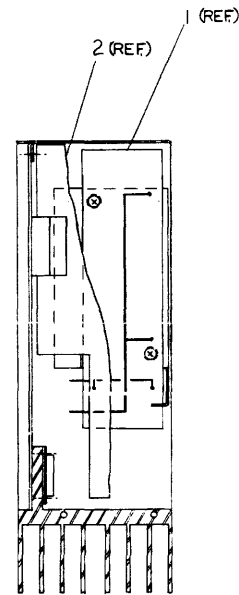
DIGITAL EQUIPMENT CORPORATION MAYNARD, MASSACHUSETTS				QUANTITY / VARIATION			
PARTS LIST				ETCH REV C			
MADE BY	JIM DAVIS	CHECKED	P. BOSSMAN	SECTION			
DATE	4-18-75	DATE	11-4-75	1			
ENG	JIM DAVIS	PROD	D. DEROME	ISSUED SECT.			
DATE	4-18-75	DATE	9-25-75	1			
ITEM NO.	DWG NO. / PART NO.	DESCRIPTION					
23	1005784	CAPACITOR 0.01 MFD, 100V, MYLAR		1	C6		
24	1012607-02	CAPACITOR 180 MFD, 50V, 672D SPRAGUE		2	C1 C10		
25	1000050	CAPACITOR .033 MFD, 100V		1	C2		
26	1000042	CAPACITOR 1KPF, 100V		1	C3		
27	1001610-01	CAPACITOR .01 MFD, 100V		2	C4 C5		
28	1004813	CAPACITOR 10 MFD, 20V		1	C7		
29	1000030	CAPACITOR 0.1 MFD 100V		2	C8 C11		
30	1000009	CAPACITOR 33PF, 100V		1	C9		
31	1510421	TRANSISTOR D44C8		1	Q1		
32	1510959	TRANSISTOR 2N3725		2	Q2 Q12		
33	1510705	TRANSISTOR A05		8	Q3 Q4 Q6 Q8 Q9 Q10 Q14 Q15		
34	1510706	TRANSISTOR A55		3	Q5 Q13 Q16		
35	1509649	TRANSISTOR 2N3762		1	Q7		
36	1510877	TRANSISTOR 2N6028		1	Q11		
37	1112595-01	DIODE GE A114B FAST REC RECT.		1	D1		
38	1112594-01	DIODE GE A115B FAST REC RECT.		1	D2		
39	1105648	DIODE IN4744 15V ZENER		1	D3		
40	1110994	DIODE IN751A 5.1V ZENER		1	D4		
41	1100113	DIODE D662		6	D5 D6 D7 D8 D13 D14		
42	1110713	DIODE 5.1V 2% ZENER		1	D9		
43	1105796	DIODE IN4004 RECT.		4	D11 D12 D20 D26		
44	1110766	DIODE IN5248B 18V ZENER		3	D15 D25 D10		
TITLE		ASSY NO.	SIZE CODE	NUMBER	REV	ECO NO.	
BATTERY CHARGER		D-UA-5411625-0-0	A PL	5411625-0-0	D		
SHEET 2 OF 4		DIST					

DEC FORM DEC 16 (325) 1031 N870
DRA 110

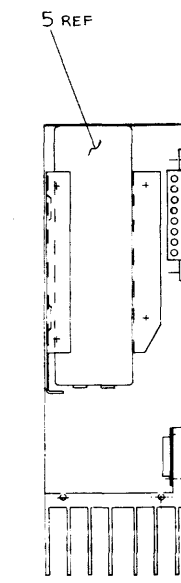
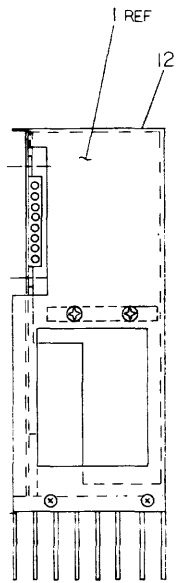
DIGITAL EQUIPMENT CORPORATION MAYNARD, MASSACHUSETTS				QUANTITY / VARIATION			
PARTS LIST				ETCH REV C			
MADE BY	JIM DAVIS	CHECKED	P. BOSSMAN	SECTION			
DATE	4-18-75	DATE	11-4-75	1			
ENG	JIM DAVIS	PROD	D. DEROME	ISSUED SECT.			
DATE	4-18-75	DATE	9-25-75	1			
ITEM NO.	DWG NO. / PART NO.	DESCRIPTION					
65	9006024-1	6-32 x 1/2 PPH SCREW		2			
66	9006653	FLAT WASHER		3			
67	9008185	6-32 KEP NUT (1/2 AF)		2			
68	9007853-1	6-32 x 1 1/8 PPH SCREW		1			
69	9006560	6-32 KEP NUT (5/16 AF)		3			
70	9006010-1	4-40 x 5/16 PPH SCREW		1			
71	9006655	FLAT WASHER		1			
72	9006557	4-40 KEP NUT		1			
73	9006020-1	6-32 x 1/2 PPH SCREW		2			
74	9107350-99	WIRE #22 AWG STRANDED IPVC x 1 1/2" L		2			
75	9107360-22	WIRE #18 AWG STRANDED IPVC x 2 1/2" L		2			
77	9007970	FEMALE FAST-ON INSULATED		2			
78	9007834	DOUBLE BACK STICKY TAPE		A/B			
79	9008268	THERMAL COMPOUND		A/B			
80	9006664	FLAT WASHER		2			
81	D-CS-5411625-0-1	CIRCUIT SCHEMATIC		REF			
82	D-AH-5411625-0-5	ASSY/DRILLING HOLE LAYOUT		REF			
83	B-MH-5411625-0-6	MODULE ECO HISTORY		REF			
84	9009185-00	JUMPER, WIRE, WHITE INS. .4 LONG		16	W2,3,5-7,11,12,14-19,30,32,33		
85	9009185-00	JUMPER, WIRE, WHITE INS. .6 LONG		9	W1,4,8,9,10,20,31,34,40		
TITLE		ASSY NO.	SIZE CODE	NUMBER	REV	ECO NO.	
BATTERY CHARGER		D-UA-5411625-0-0	A PL	5411625-0-0	D		
SHEET 4 OF 4		DIST					

DEC FORM DEC 16 (325) 1031 N870
DRA 110

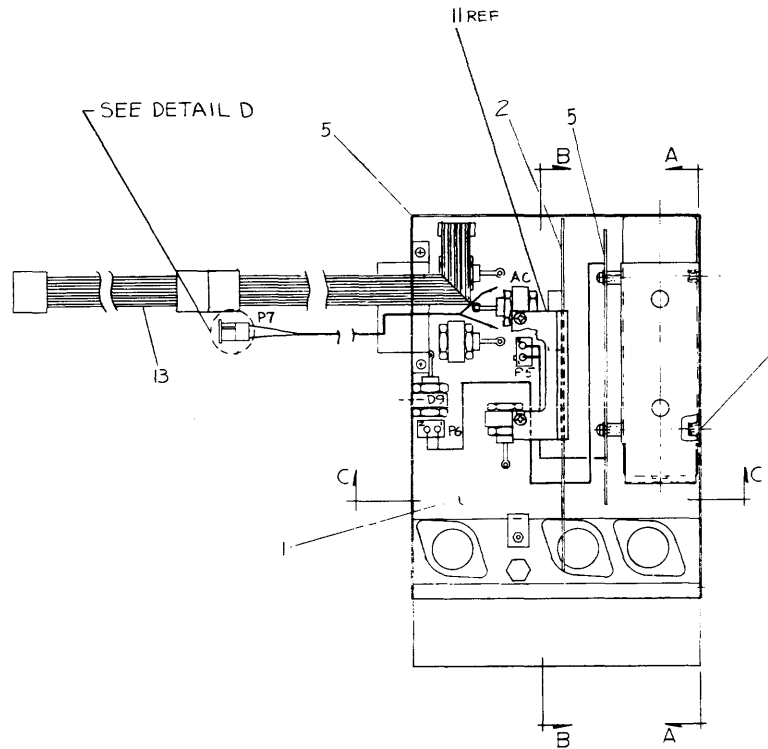
THIS DRAWING AND SPECIFICATIONS, HEREIN ARE THE PROPERTY OF DIGITAL EQUIPMENT CORPORATION AND SHALL NOT BE REPRODUCED OR COPIED OR USED IN WHOLE OR IN PART AS THE BASIS FOR THE MANUFACTURE OR SALE OF ITEMS WITHOUT WRITTEN PERMISSION. COPYRIGHT © 1974, DIGITAL EQUIPMENT CORPORATION



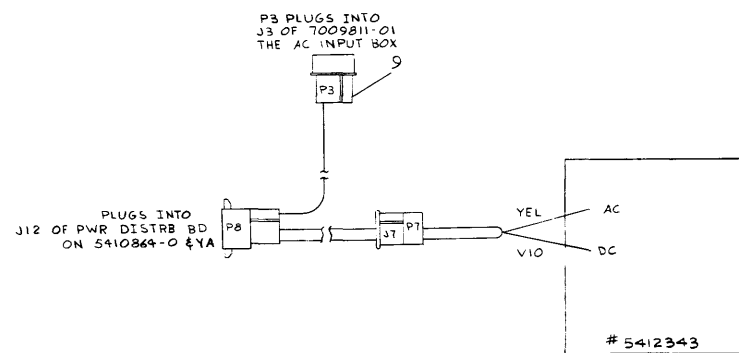
SECTION B-B



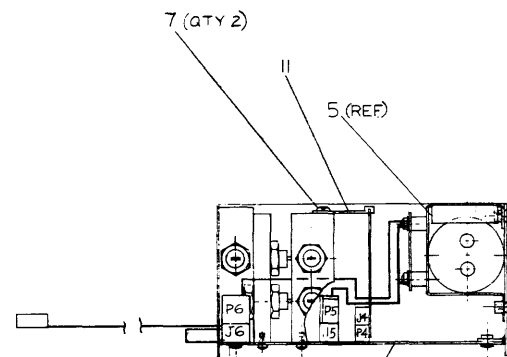
SECTION A-A



SECTION C-C



DETAIL D

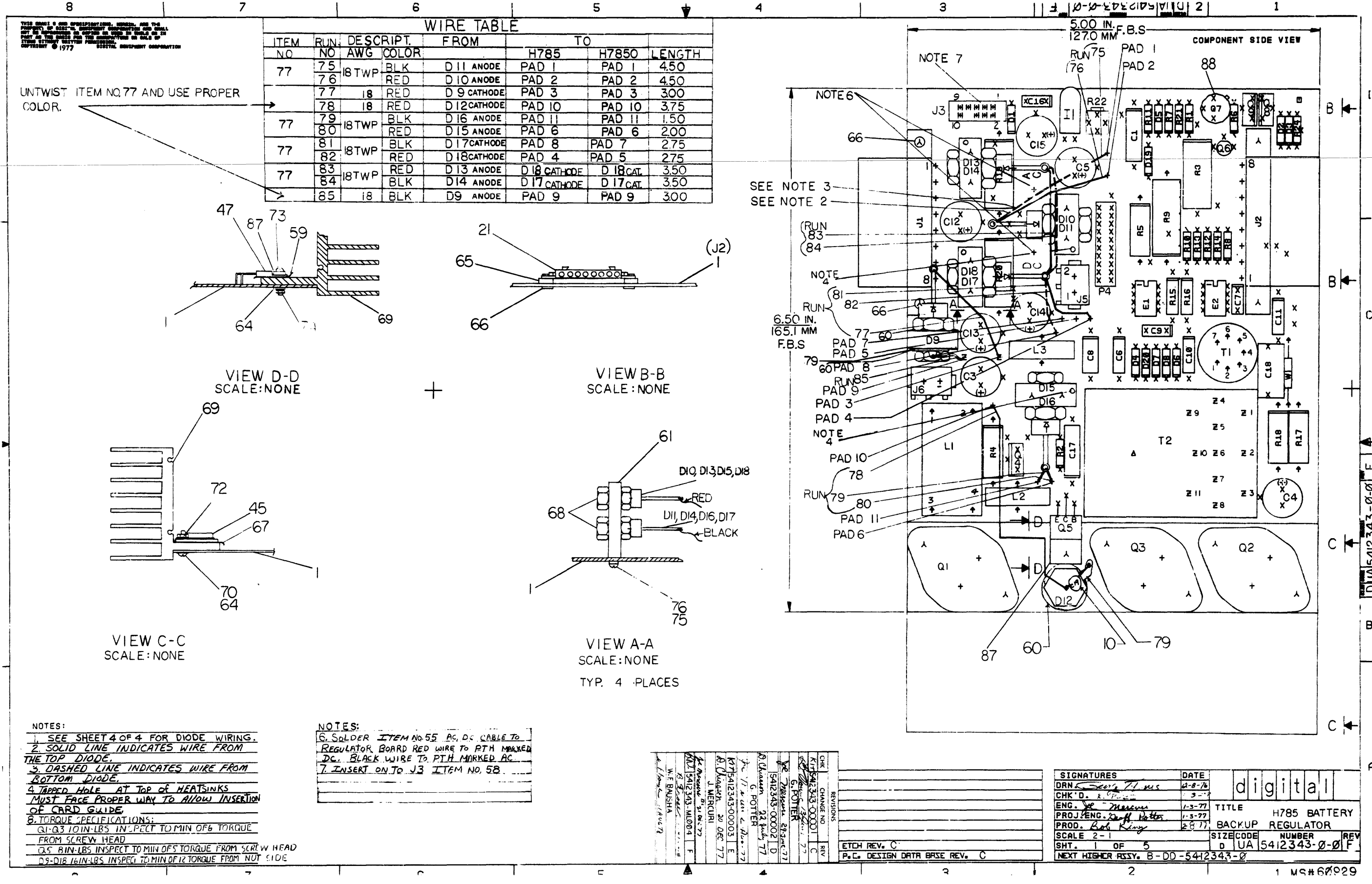


QTY	DESCRIPTION	DNWG PART NO.	ITEM NO.
1	CABLE, CONSOLE	7011411-2J	13
1	DECAL, H785-H785Ø	7416945-06	12
1	RETAINER CARD	B-MD-7418124-0-0	11
2	SCR PH FL HD 6-32 x .31	9008401-2	10
1	CABLE, AC, DC/LO	C-IA-7013676-0-0	9
Ø	WASH LOCK INT TOOTH #4	9008632	8
2	SCR PH HD PAN #4-40 x .25	9008301-01	7
4	SCR PH HD FLAT	9005142-2	4
4	SELF TAP #4-40 x .14	9005142-2	4
1	CAPACITOR BRKT ASSY	C-AD-7013322-0-0	5
Ø	Ø COMPOUND THERMAL	ØØØØØØØØ	Ø
4	SCR PH FL HD, 6-32 x .19	9008020-2	3
1	H785 CONTROL BOARD	D-UA-5412385-0-0	2
1	H785 BATTERY BACKUP REGULATOR	D-UA-5412343-0-0	1

QUANTITY & VARIATION		DESCRIPTION		DNWG PART NO.	ITEM NO.
1	REGULATOR BATTERY BACKUP	1134A	REGULATOR BATTERY BACKUP		

REV	DATE	BY	CHKD	APPR
1				

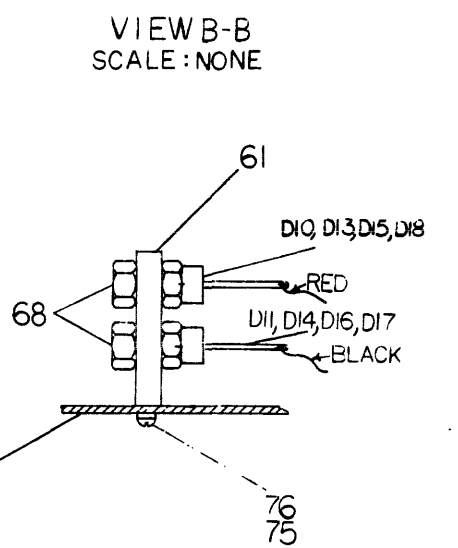
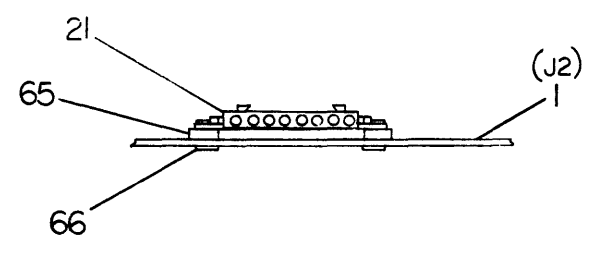
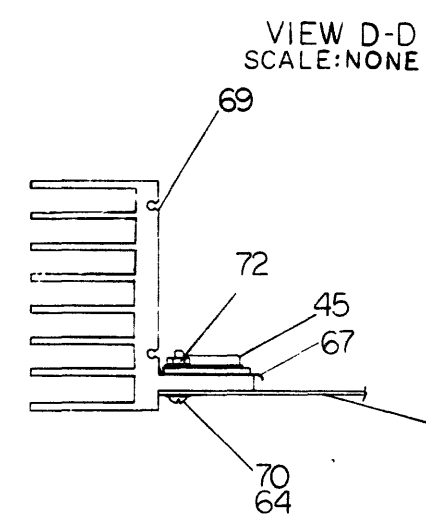
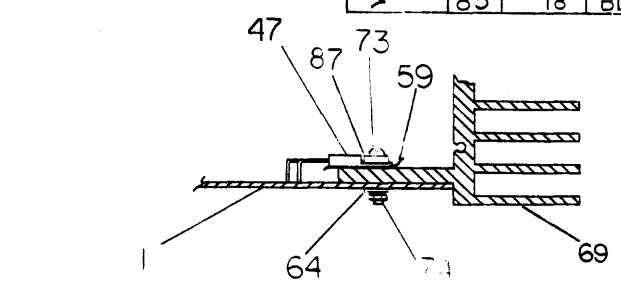
REV	DATE	BY	CHKD	APPR
1				



WIRE TABLE

ITEM NO	RUN NO	DESCRPT	AWG	COLOR	FROM	TO	LENGTH	
77	75	18TWP	18	BLK	D11 ANODE	PAD 1	4.50	
	76	18TWP	18	RED	D10 ANODE	PAD 2	4.50	
77	77	18	18	RED	D9 CATHODE	PAD 3	3.00	
	78	18	18	RED	D12 CATHODE	PAD 10	3.75	
77	79	18TWP	18	BLK	D16 ANODE	PAD 11	1.50	
	80	18TWP	18	RED	D15 ANODE	PAD 6	2.00	
77	81	18TWP	18	BLK	D17 CATHODE	PAD 8	2.75	
	82	18TWP	18	RED	D18 CATHODE	PAD 4	2.75	
77	83	18TWP	18	RED	D13 ANODE	D18 CATHODE	D18 CAT	3.50
	84	18TWP	18	BLK	D14 ANODE	D17 CATHODE	D17 CAT	3.50
85	18	18	BLK	D9 ANODE	PAD 9	PAD 9	3.00	

UNTWIST ITEM NO.77 AND USE PROPER COLOR.



NOTES:
 6. SOLDER ITEM NO.55 AC, DC CABLE TO REGULATOR BOARD RED WIRE TO PTH MARKED DC. BLACK WIRE TO PTH MARKED AC.
 7. INSERT ON TO J3 ITEM NO. 58.

NOTES:
 1. SEE SHEET 4 OF 4 FOR DIODE WIRING.
 2. SOLID LINE INDICATES WIRE FROM THE TOP DIODE.
 3. DASHED LINE INDICATES WIRE FROM BOTTOM DIODE.
 4. TAPPED HOLE AT TOP OF HEATSINKS MUST FACE PROPER WAY TO ALLOW INSERTION OF CARD GUIDE.
 5. TORQUE SPECIFICATIONS:
 Q1-Q3 10 IN.-LBS. IN PERSPECT TO MIN. OF 6 TORQUE FROM SCREW HEAD.
 Q5 8 IN.-LBS. IN PERSPECT TO MIN. OF 5 TORQUE FROM SCREW HEAD.
 D9-D18 16 IN.-LBS. IN PERSPECT TO MIN. OF 12 TORQUE FROM NUT SIDE.

SEE NOTE 3
 SEE NOTE 2

NOTE 4
 RUN 81
 RUN 82
 PAD 7
 PAD 8
 PAD 9
 PAD 3
 PAD 4
 NOTE 4
 PAD 10
 RUN 78
 RUN 79
 PAD 11
 PAD 6

SIGNATURES		DATE	digital
DRN: <i>Scott King</i>		2-8-76	
CHK'D: <i>J. Potter</i>			
ENG: <i>J. Potter</i>		1-3-77	TITLE
PROJ. ENG: <i>Bob King</i>		1-3-77	H785 BATTERY
PROD: <i>Bob King</i>		2-8-77	BACKUP REGULATOR
SCALE 2-1		SIZE	CODE
SHT. 1 OF 5		NUMBER	REV
NEXT HIGHER ASSY: B-DD-5412343-0			d UA 5412343-001 F

REVISIONS

CHK	CHANGE NO	REV
	K75412343-00001	C
	5412343-00002	D
	5412343-00003	E

DATE: 1/10/77
 BY: J. POTTER
 CHECKED: J. POTTER
 TITLE: DESIGN DATA BASE REV. C

8

7

6

5

4

3

1

SIZE CODE 2 DUA 5412343-0-0

"THIS DRAWING AND SPECIFICATIONS HEREIN ARE THE PROPERTY OF DIGITAL EQUIPMENT CORPORATION AND SHALL NOT BE REPRODUCED OR COPIED OR USED IN WHOLE OR IN PART AS THE BASIS FOR THE MANUFACTURE OR SALE OF ITEMS WITHOUT WRITTEN PERMISSION. COPYRIGHT © 1977 DIGITAL EQUIPMENT CORPORATION"

D

D

C

C

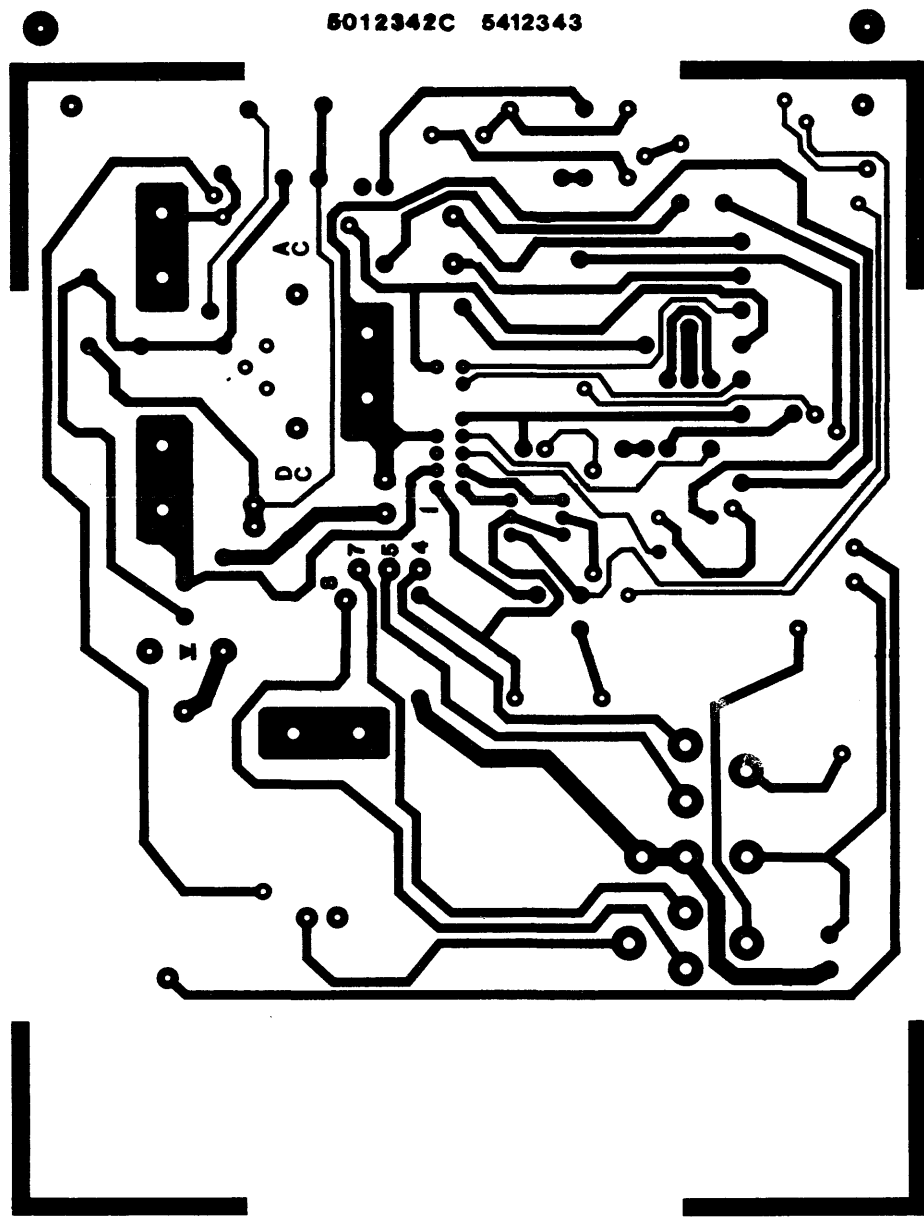
B

B

A

A

5012342C 5412343



D U A 5412343-0-0 F

REVISIONS		
CHK	CHANGE NO	REV

TITLE	H785 BATTERY BACKUP REGULATOR	SIZE CODE	D U A	NUMBER	5412343-0-0	REV.	F
SCALE	2/1	SHEET	2 OF 5	DIST.			

8

7

6

5

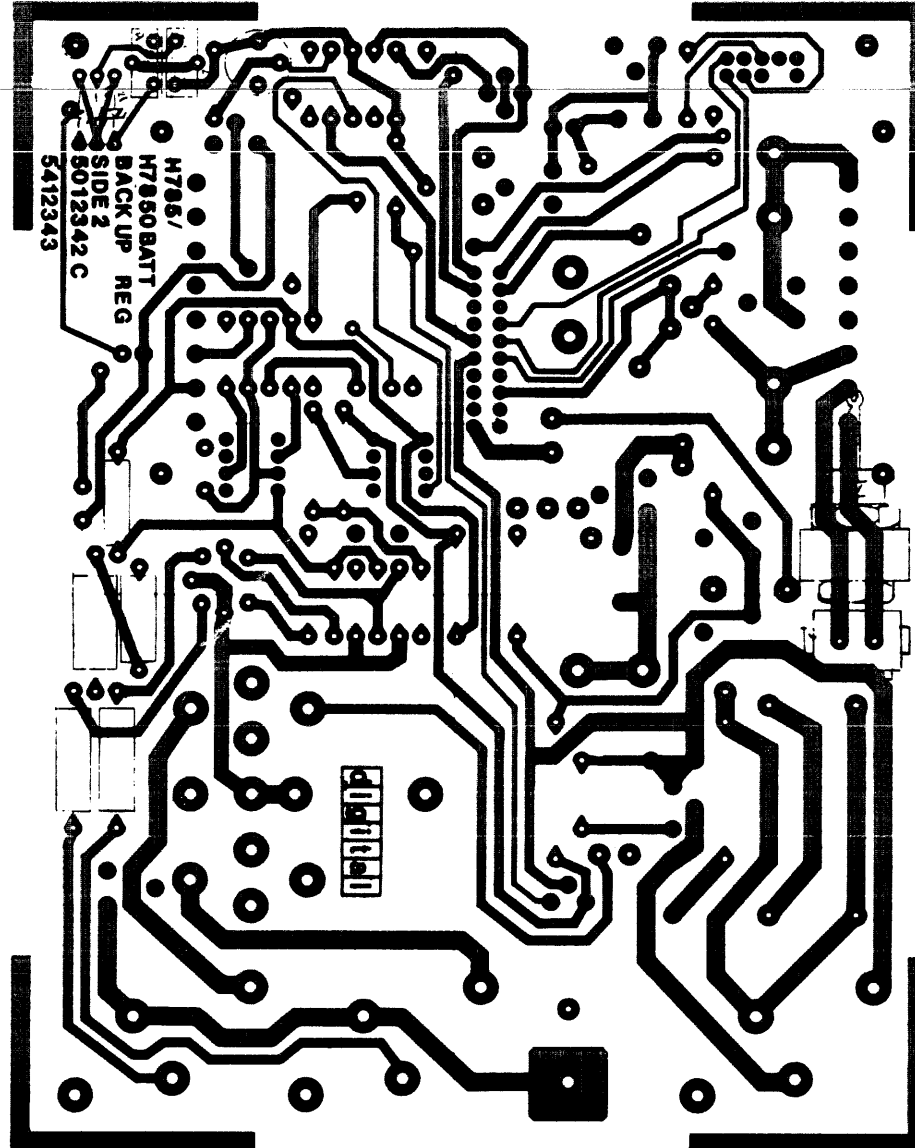
4

3

2

1

"THIS DRAWING AND SPECIFICATIONS HEREIN ARE THE PROPERTY OF DIGITAL EQUIPMENT CORPORATION AND SHALL NOT BE REPRODUCED OR COPIED OR USED IN WHOLE OR IN PART AS THE BASIS FOR THE MANUFACTURE OR SALE OF ITEMS WITHOUT WRITTEN PERMISSION. COPYRIGHT ©1977 DIGITAL EQUIPMENT CORPORATION"



H785/
H7850 BATT
BACKUP REG
SIDE 2
5012342 C
5412343

1 2 3 4 5 6 7 8
D U A 5412343-0-0
SIZE CODE NUMBER

D U A 5412343-0-0
SIZE CODE NUMBER

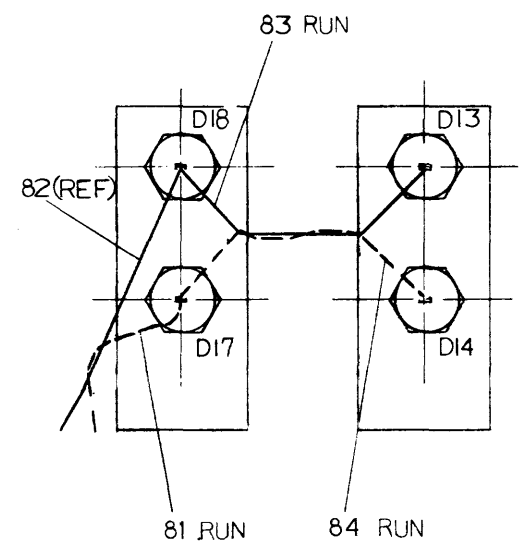
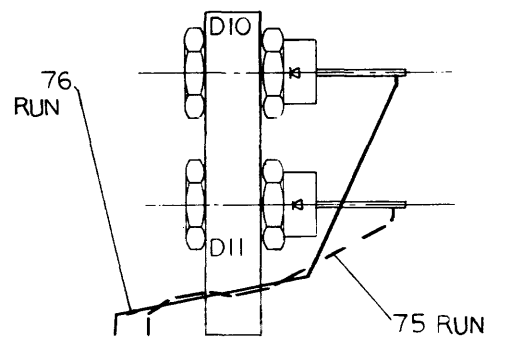
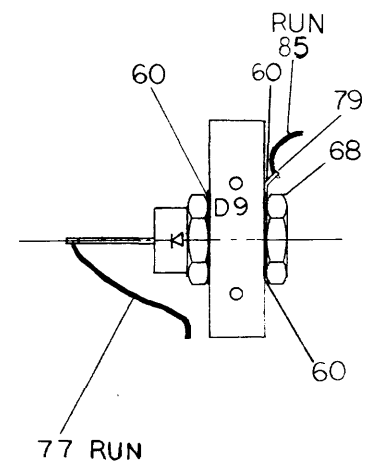
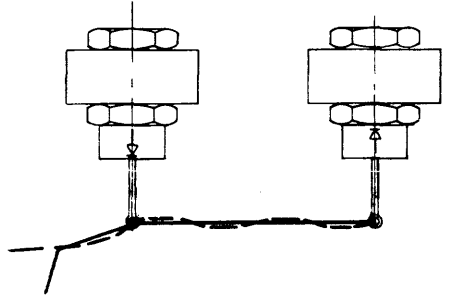
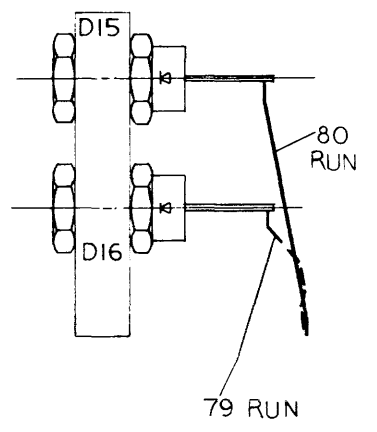
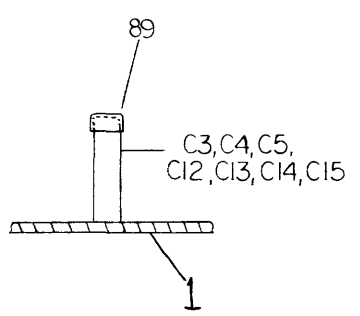
REVISIONS		
CHK	CHANGE NO	REV

TITLE	H785 BATTERY BACKUP REGULATOR	SIZE CODE	D U A	NUMBER	5412343-0-0	REV.	F
SCALE	2/1	SHEET	3 OF 5	DIST.			

8 7 6 5 4 3 2 1

"THIS DRAWING AND SPECIFICATIONS, HEREIN, ARE THE PROPERTY OF DIGITAL EQUIPMENT CORPORATION AND SHALL NOT BE REPRODUCED OR COPIED OR USED IN WHOLE OR IN PART AS THE BASIS FOR THE MANUFACTURE OR SALE OF ITEMS WITHOUT WRITTEN PERMISSION. COPYRIGHT © 1976 DIGITAL EQUIPMENT CORPORATION"

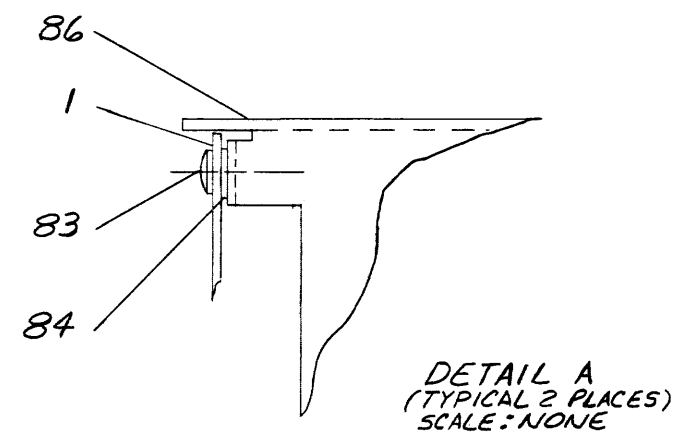
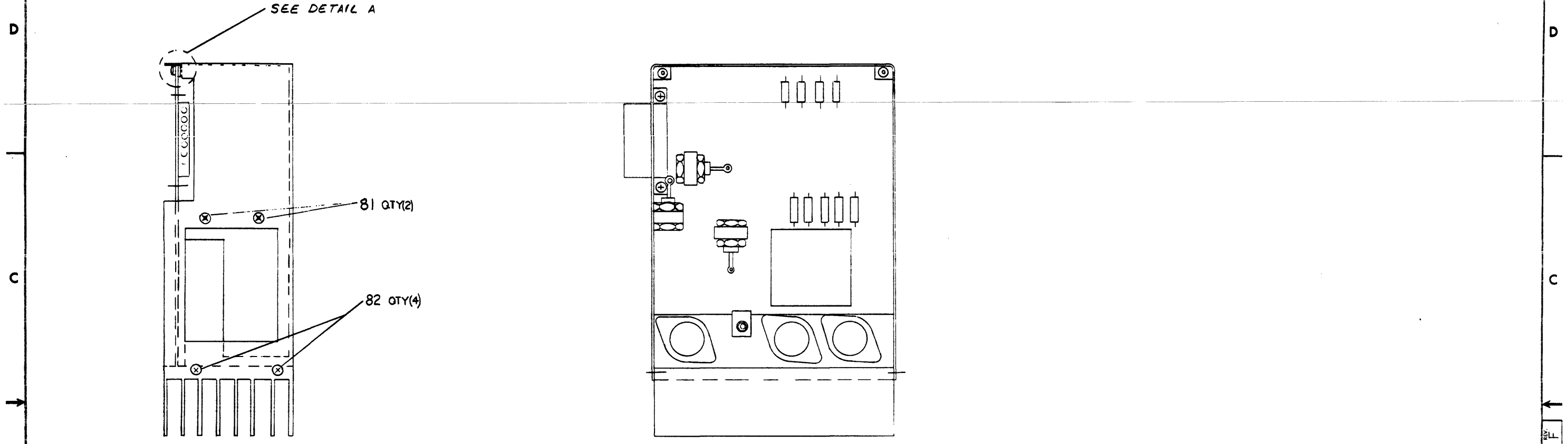
NOTES:
 1. WIRING INFORMATION IS ON SHEET 1 OF 4.
 2. DIODES TO BE ASSEMBLED TO HEAT-SINKS AND WIRED AS SHOWN BEFORE INSTALLING TO BOARD.



REVISIONS		
CHK	CHANGE NO.	REV.

"THIS DRAWING AND SPECIFICATIONS, HEREIN, ARE THE PROPERTY OF DIGITAL EQUIPMENT CORPORATION AND SHALL NOT BE REPRODUCED OR COPIED OR USED IN WHOLE OR IN PART AS THE BASIS FOR THE MANUFACTURE OR SALE OF ITEMS WITHOUT WRITTEN PERMISSION. COPYRIGHT © 1977 DIGITAL EQUIPMENT CORPORATION"

8 7 6 5 4 3 2 1
 DUA 5412343-0-0



REVISIONS		
CHK	CHANGE NO.	REV.

TITLE	H785 BATTERY BACKUP REGULATOR	SIZE CODE	DUA	NUMBER	5412343-0-0	REV.	F
SCALE	1-1	SHEET	5 OF 5	DIST.			

REV. F
 NUMBER 5412343-0-0
 SIZE CODE DUA

LINE	ITEM	DOCUMENT NO.	PART NO.	DESCRIPTION	QTY	REFERENCE DESIGNATORS
1	1	D-MD-5012342-0-0	5012342-00	ETCH BRD 54-12343	1	
2	2		1002431-00	2.2MFD 35V 10% 1508 S.TA	(10-00)	1 C10
3	3		1012607-02	180 MFD 50V H% 672D AL EL		3 C3-C5
4	4		1000042-00	1000.0 MMF 100V 5%200PPM DM15S	(10-00)	1 C7
5	5		1010646-00	.015 MFD 50V 2% M,POLYCARB		1 C8
6	6		1000024-00	470.0 MMF 100V 5%200PPM DM15S	(10-00)	1 C9
7	7		1001776-00	1 MFD 35V 10% 150D S.TA	(10-00)	2 C6,C11
8	8		1012607-00	560 MFD 20V H% 672D AL EL		3 C12-C14
9	9		1012607-01	1200 MFD 6.3V H% 672D AL EL		1 C15
10	10		1010621-00	.1 MFD 50V 20% Z5U DISC		2 C16, 19
11	11		1004813-00	10 MFD 20V 10% 150D S.TA	(10-00)	2 C1,C,7
12	12		1000030-00	.1 MFD 100V 20% Z5U DISC		1 C18
13	13	BLANK			0	
14	14		1100125-00	1N 750A VZ= 10.0 5% .40W PPER S.A.V.E(C		2 D2,D3
15	15		1105275-00	D 672 TR= 15NS PIV= 60V SP		7 D1,D4=D8,D20
16	16		1109440-00	1N 3880 PIV=100 I= 6A D04 SM		6 D10,D11,D13-D16
17	17		1113366-00	1N 3880R PIV=100 I=6A S		4 D17,D18,D9,D12
18	18		1105648-00	1N 4744 VZ= 15.0 10% 1W Y		1 D19
19	19	BLANK			0	
20	20		1211004-02	SOCKET,100 20POS EDGE MOUNT		1 P4
21	21		1209340-00	MATE=N-LOK 8PIN,HOUSING,SKT		2 J1,J2
22	22		1209456-01	MATE=N-LOK SKT PCB TAB LOOSE	16	
23	23		1211342-02	MATE=N-LOK 2PIN PC TYPE	2	J5,J6
24	24		1209219-01	LAMP 6V0200MA,T1-3/4PINS#2319	1	I1
25	25	BLANK			0	
26	26		1300202-00	47 1/4W 5% CC	(13-00)	1 R2
27	27		1309639-00	200 5W 5% WW	(13-00)	1 R3
28	28		1312682-00	3 3W 5%	(13-00)	1 R4
29	29		1302950-00	1.2 K 1W 10% CC	(13-00)	1 R5
30	30		1300426-00	2.7 K 1/4W 5% CC	(13-00)	2 R6,R7

REVISION HISTORY				VARIATIONS FOR THIS ASSY.			
CHK	ECO NO	REV	DATE	FIRST USED ON:		DIGITAL EQUIPMENT CORPORATION MAYNARD, MASSACHUSETTS	
B.N	00004	F		MADE BY:	D BILODEAU	DATE:	31-JUL-78
				CHECKED:	R PUZZO	DATE:	31-JUL-78
				DSN,ENG.:	J MERCURI	DATE:	31-JUL-78
				PROD.:	R KING	DATE:	31-JUL-78
				RESP,ENG.:	J MERCURI	DATE:	31-JUL-78
				TITLE		PARTS LIST	
						H785 BATTERY BACKUP REGULATOR	
				SIZE:	CODE:	DOCUMENT NUMBER	REV
				K	PL	5412343-0-DBP	F
				ASSY.NO.:		D-UA-5412343-0-0	
						EDIT#	
						3	

"THIS DRAWING AND SPECIFICATIONS HEREIN, ARE THE PROPERTY OF DIGITAL EQUIPMENT CORPORATION AND SHALL NOT BE REPRODUCED OR COPIED OR USED IN WHOLE OR IN PART AS THE BASIS FOR THE MANUFACTURE OR SALE OF ITEMS WITHOUT WRITTEN PERMISSION. COPYRIGHT 1978, DIGITAL EQUIPMENT CORPORATION"

LINE	ITEM	DOCUMENT NO.	PART NO.	DESCRIPTION	QTY	REFERENCE DESIGNATORS
31	31		1309680-00	2.7 M 1/4W 5%	1	R8
32	32		1313712-00	.01 5W 3%	1	R9
33	33		1300365-00	1 K 1/4W 5%	2	R1,R11
34	34		1300229-00	100 1/4W 5%	1	R12
35	35		1302466-00	100 K 1/4W 5%	2	R13,R14
36	36		1312404-00	2.21 K 1/2W 1% RN60D-F 100PPM	2	R15,R16
37	37		1313579-00	1.5 3W 5%	2	R17,R18
38	38		1309855-00	300 2W 5%	2	R19,R20
39	39		1300479-00	10 K 1/4W 5%	1	R21
40	40		1310852-00	200 20% POT	1	R22
41	41		1300391-00	1.5 K 1/4W 5%	1	R10
42	42		1300316-00	470 1/4W 5%	1	R24
43	43	BLANK			0	
44	44	BLANK			0	
45	45		1510969-00	2N 5038 NPN 140WC SI 90 50 Y	3	Q1-Q3
46	46		1510700-00	D 45HR PNP 50WT SI 60 60 Y	2	Q4,Q8
47	47		1512790-00	D 44C11 NPN 30W SI 80 40	2	Q5,Q9
48	48		1511686-00	DEC5433 FET N 350MW 10 25 1A 20U	1	Q6
49	49		1510959-00	2N 3725 NPN 1.5WC SI 50 60 P	1	Q7
50	50	BLANK			0	
51	51		1612593-00	500 UH 6A	1	L1
52	52		1613874-00	CHOKER,15UH 4A	2	L2,L3
53	53		1613876-00	XFMR,POWER,RATIO 1:2 7PIN	1	T1
54	54		1613875-00	XFMR,POWER,RATIO 1:2:3 100UH	1	T2
55	55		7013690-00	CABLE 2 PIN AC DC LOW	1	
56	56		1911944-00	555CN TIMER,FUNCT,BLOCK	1	E1
57	57		1910202-00	301AN OP AMP	1	E2
58	58		7013384-1D	10 CONDUCTOR EXTENDER CABLE	1	
59	59		1213071-06	INSULATOR,RUBBER SILICONE	1	
60	60		1213071-05	INSULATOR,RUBBER THERMAL	3	
61	61		7417414-00	HEAT SINK (DUAL)	4	
62	62		7417413-00	HEAT SINK (SINGLE)	1	
63	63		9006655-00	WASHER, FLAT, .312 O.D. X .125 ID X .025 T	1	
64	64		9006656-00	WASHER, FLAT, .312 O.D. X .156 I.D. X .027	6	
65	65		9006706-00	WASHER, NYLON, FLAT #4 .375 OD X .031 THK	2	
66	66		9006745-00	EYELET, ROLLED FLANGE, .120 OD X .260 LG	4	
67	67		1213071-02	INSULATOR,RUBBER SILICONE SM	3	
68	68		9006565-00	NUT,KEP , 10-32X 3/8 AF CS/	10	
69	69		1210737-04	HEAT SINK,REGULATOR	1	
70	70		9007793-04	SCREW,BIND,SLOT, 6-32X 9/16 SS/PAS	6	
71	71		9007649-00	***** THIS ITEM IS NOT USED *****	-	
72	72		9008105-00	NUT,KEP , 6-32X1/4 AF CS/	6	
73	73		9008033-01	SCREW,PAN ,PHIL, 4-40X 9/16 SS/PAS	1	
74	74		9006557-00	NUT,KEP , 4-40X 1/4 AF CS	1	
75	75		9006632-00	WASHER,LOCK,INT, .260OD X .120ID X .015 THK	8	
76	76		9006010-04	SCREW,BIND,SLOT, 4-40X 5/16 SS/PAS	8	
77	77		9107430-02	WIRE,STRND,18AWG,IPVC (UL1429) (91-00 A/R		
78	78		9009185-00	JUMPER, WIRE, INSULATED, BLACK BAND	1	W1

DIGITAL EQUIPMENT CORPORATION MAYNARD, MASSACHUSETTS	TITLE PARTS LIST H785 BATTERY BACKUP REGULATOR	SIZE CODE K PL	DOCUMENT NUMBER 5412343-0-DBF	REV F
---	--	-------------------	----------------------------------	----------

LINE	ITEM	DOCUMENT NO.	PART NO.	DESCRIPTION	QTY	REFERENCE DESIGNATORS
79	79		9008506-00	TERM LUG 1POS SOLDER,FLAT	2	
80	80		9009149-00	PIN, STAKING, P.C. BOARD, .025 X .025	9	J3
81	81		9008404-02	SCREW,FLAT,PHIL, 6-32X 5/16 SS/PAS 100D	2	
82	82		9009142-02	SCREW, PHILLIPS FLAT HEAD, SELF TAP, 4-40	4	
83	83		9006010-01	SCREW,PAN ,PHIL, 4-40X 5/16 SS/PAS	2	
84	84		9008079-00	WASHER, FLAT FIBER OD. 1/4	2	
85	85		9905212-00	CARTON, DIE CUT	2412	100
86	86	D-1A-7417410-0-0	7417410-00	REGULATOR BRACKET	1	
87	87		9009769-00	WASHER, RECTANGULAR .405X.225X.060	1	
88	88		9007201-00	TRANSIPADS #10253	1	
89	89		9009731-03	CAP,PLASTIC	7	

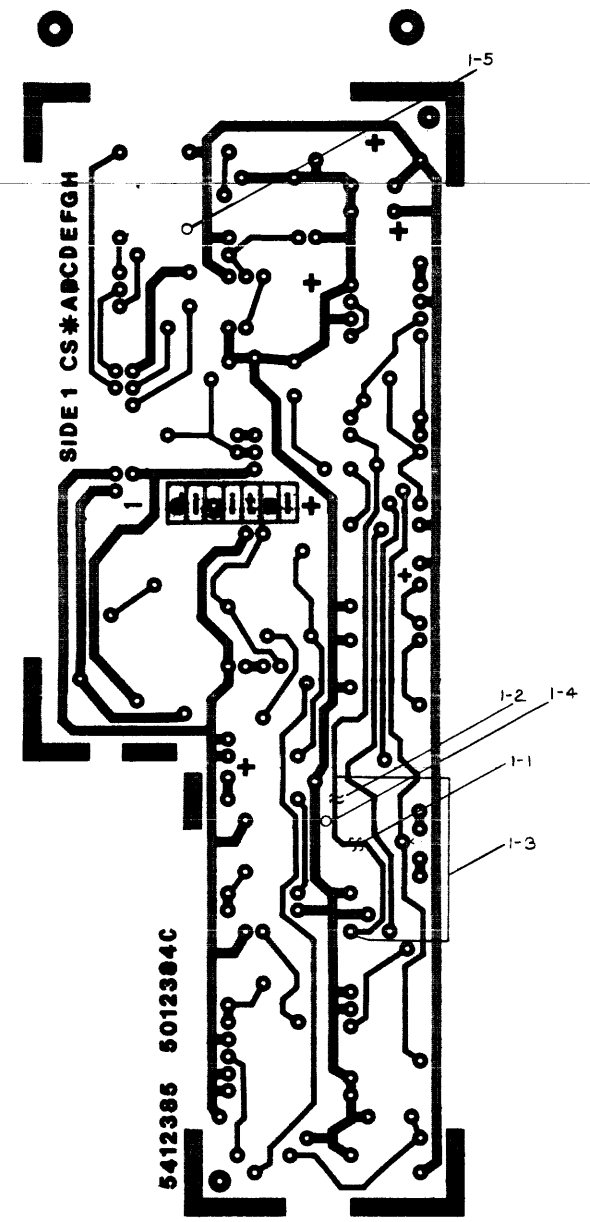
DIGITAL EQUIPMENT CORPORATION MAYNARD, MASSACHUSETTS	TITLE PARTS LIST H785 BATTERY BACKUP REGULATOR	SIZE(CODF) K PL	DOCUMENT NUMBER 5412343-0-DBP	REV F
---	--	--------------------	----------------------------------	----------

"THIS DRAWING AND SPECIFICATIONS HEREIN, ARE THE PROPERTY OF DIGITAL EQUIPMENT CORPORATION AND SHALL NOT BE REPRODUCED OR COPIED OR USED IN WHOLE OR IN PART AS THE BASIS FOR THE MANUFACTURE OR SALE OF ITEMS WITHOUT WRITTEN PERMISSION. COPYRIGHT © 1977 DIGITAL EQUIPMENT CORPORATION"

"THIS DRAWING AND SPECIFICATIONS HEREIN, ARE THE PROPERTY OF DIGITAL EQUIPMENT CORPORATION AND SHALL NOT BE REPRODUCED OR COPIED OR USED IN WHOLE OR IN PART AS THE BASIS FOR THE MANUFACTURE OR SALE OF ITEMS WITHOUT WRITTEN PERMISSION. COPYRIGHT © 1977 DIGITAL EQUIPMENT CORPORATION"

D
L
D
C
BA
B
+
CHG M
MON
BAT
BOOT
STANC
D
A

D
C
B
A



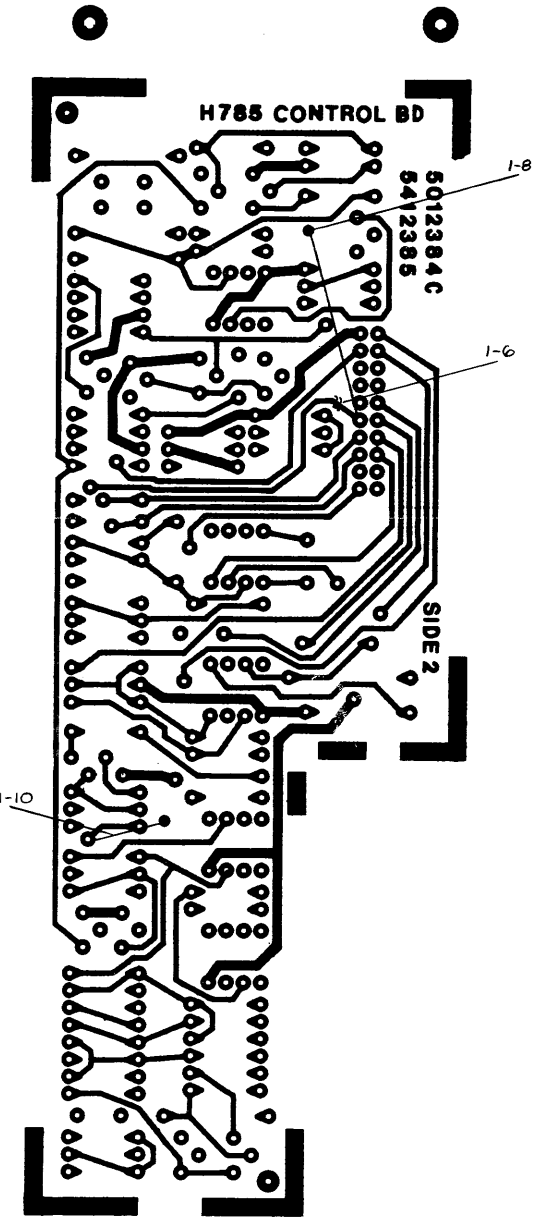
REV. NO.	CHG. NO.	REV.
1	15412343-00001 C	
2		
3		

G. POTTER
JAN 13 1977
JAC PROLOG 7-6-77

REVISIONS		
CHK	CHANGE NO	REV

TITLE	H785 CONTROL BD	SIZE CODE	D UA	NUMBER	5412385-0-0
SCALE	2/1	SHEET	2 OF 3	DIST.	

"THIS DRAWING AND SPECIFICATIONS HEREIN ARE THE PROPERTY OF DIGITAL EQUIPMENT CORPORATION AND SHALL NOT BE REPRODUCED OR COPIED OR USED IN WHOLE OR IN PART AS THE BASIS FOR THE MANUFACTURE OR SALE OF ITEMS WITHOUT WRITTEN PERMISSION. COPYRIGHT ©1977 DIGITAL EQUIPMENT CORPORATION"



D
C
B
A

D
C
B
A

REVISIONS		
CHK	CHANGE NO	REV.

TITLE	SIZE CODE	NUMBER	REV.
H785 CONTROL BD	DUA	5412385-0-0	E
SCALE 2/1	SHEET 3 OF 3	DIST.	

LINE	ITEM	DOCUMENT NO.	PART NO.	DESCRIPTION	QTY	REFERENCE DESIGNATORS
1	1	D-MD-5012384-0-0	5012384-00	5412385	1	
2	2		1001610-01	.01 MFD 100V DR 50V Z5U DISC/800PF MIN	4	C1,C4,C6,C13
3	3		1004813-00	10 MFD 20V 10% 150D S.TA (10-00)	1	C2
4	4		1001776-00	1 MFD 35V 10% 150D S.TA (10-00)	3	C3,C5,C11
5	5		1000061-00	8200.0 MMF 100V 10% 663UW MYLR (10-00)	1	C7
6	6		1005965-00	.47 MFD 35V 10% 150D S.TA (10-00)	2	C8,C12
7	7		1000009-00	33.0 MMF 100V 5%200PPM DM15S (10-00)	1	C9
8	8		1005306-00	6.8MFD 35V 10% 150D S.TA (10-00)	1	C14
9	9		1105275-00	D 672 TR= 15NS PIV= 60V SP	9	D1,D2,D3,D5,D6,D9,D10,D12,D13
10	10		1109988-00	1N 964B VZ= 13.0 5% .40W Y	1	D4
11	11		1102808-00	1N 752A VZ= 5.6 5% .40W P	2	D11,D15
12	12		1110968-00	2N 5062 SCR@100V I=.8A T092	1	D14
13	13		1110713-00	SZ710910 VZ= 5.1 2% M	1	D7
14	14		1114913-00	VZ= 18.0 10% 1W	1	D16
15	15		1300398-00	1.8 K 1/4W 5% CC (13-00)	2	R32,R38
16	16		1300479-00	10 K 1/4W 5% CC (13-00)	11	R1,R13,R18,R19,R20,R21,R28, CONT R31,R42-R44
17	17		1300229-00	100 1/4W 5% CC (13-00)	5	R3,R5,R25,R29,R45
18	18		1301322-00	180 1/4W 5% CC (13-00)	1	R4
19	19		1302177-00	47 K 1/4W 5% CC (13-00)	1	R6
20	20		1302394-00	30 K 1/4W 5% CC (13-00)	1	R7
21	21		1302091-00	330 K 1/4W 5% CC (13-00)	1	R8
22	22		1300365-00	1 K 1/4W 5% CC (13-00)	6	R2,R9,R12,R14,R37,R40
23	23		1300426-00	2.7 K 1/4W 5% CC (13-00)	1	R16
24	24		1302092-00	220 K 1/4W 5% CC (13-00)	1	R15
25	25		1301423-00	6.8 K 1/4W 5% CC (13-00)	1	R17
26	26		1302871-00	1.21 K 1/4W 1% RN55D-F 100PPM (13-00)	1	R35
27	27		1302955-00	750 1/4W 1% RN55D-F 100PPM (13-00)	1	R34
28	28		1303312-00	10.0 K 1/4W 1% RN55D-F 100PPM (13-00)	1	R36
29	29		1302466-00	100 K 1/4W 5% CC (13-00)	3	R22,R39,R41

REVISION HISTORY			VARIATIONS FOR THIS ASSY.		FIRST USED ON:		DIGITAL EQUIPMENT CORPORATION MAYNARD, MASSACHUSETTS			
CHK	ECO NO	REV					TITLE			
W.H	00003	E		00	MADE BY:	F.MALANSON	DATE:	21-FEB-78	PARTS LIST	
					CHECKED:	F.SEIDMAN	DATE:	21-FEB-78	H785 CONTROL BOARD	
					DSN.ENG.:	J.MERCURI	DATE:	21-FEB-78	SIZE:	CODE:
					PROD.:	R.B.KING	DATE:	21-FEB-78	DOCUMENT NUMBER	REV
					RESP.ENG.:	J.MERCURI	DATE:	21-FEB-78	K	PL
									5412385-0-0	E
									ASSY.NO.:	EDIT#
									D-UA-5412385-0-0	4

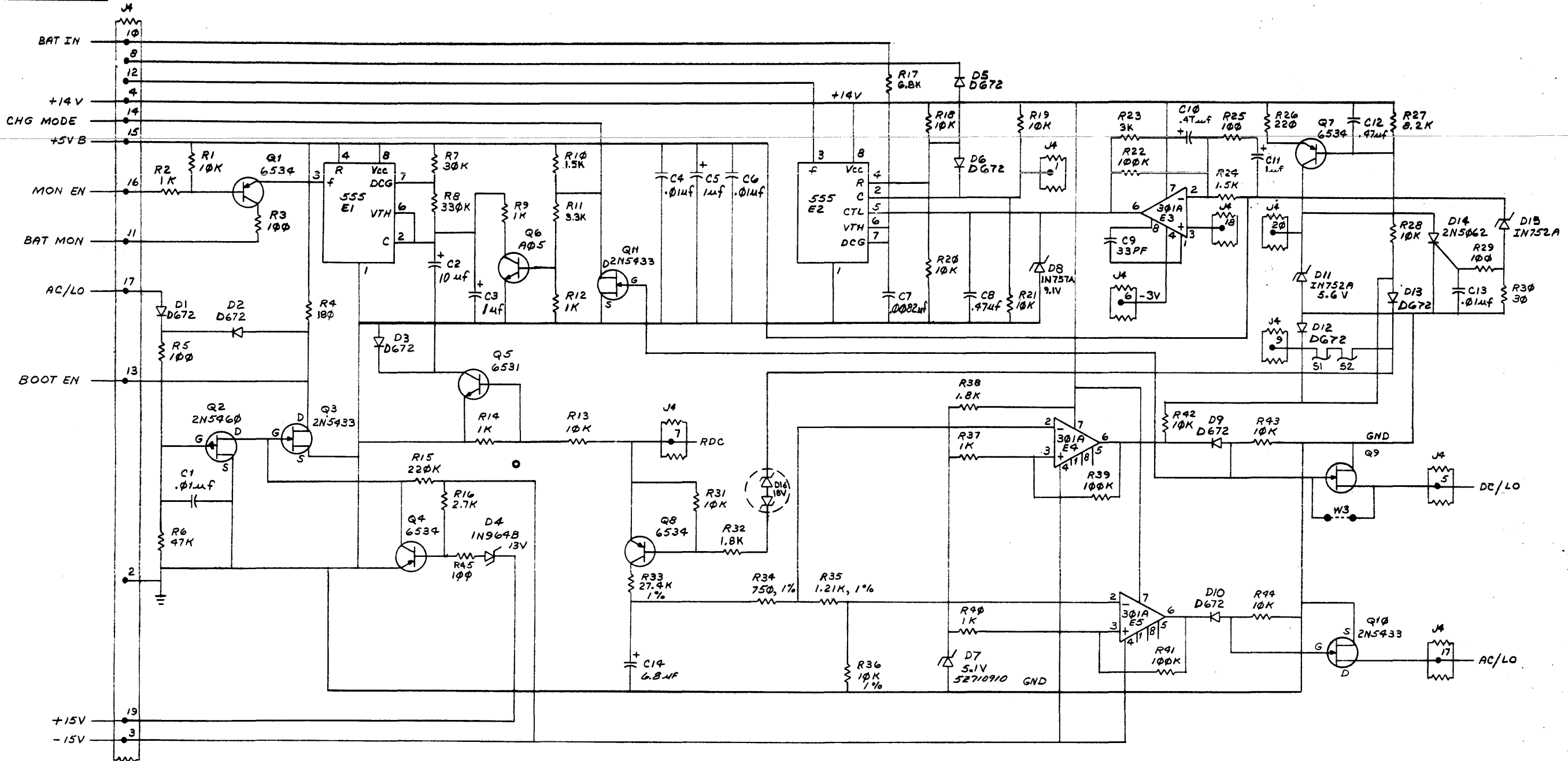
*THIS DRAWING AND SPECIFICATIONS HEREIN, ARE THE PROPERTY OF DIGITAL EQUIPMENT CORPORATION AND SHALL NOT BE REPRODUCED OR COPIED OR USED IN WHOLE OR IN PART AS THE BASIS FOR THE MANUFACTURE OR SALE OF ITEMS WITHOUT WRITTEN PERMISSION. COPYRIGHT 1978. DIGITAL EQUIPMENT CORPORATION *

LINE ITEM	DOCUMENT NO.	PART NO.	DESCRIPTION	QTY	REFERENCE DESIGNATORS
30	30	1300271-00	220 1/4W 5% CC (13-00	1	R26
31	31	1303179-00	8.2 K 1/4W 5% CC (13-00	1	R27
32	32	1302751-00	30 1/4W 5% CC (13-00	1	R30
33	33	1309417-00	27.4 K 1/4W 1% RN55D-F 100PPM (13-00	1	R33
34	34	1503409-00	DEC6534D PNP 310MW SI 40 90 P	4	Q1,Q4,Q7,Q8
35	35	1510233-00	2N 5460 FET 310MW SIP CHNNL	1	Q2
36	36	1511686-00	DEC5433 FET N 350MW 10 25 1A 20U	4	Q3,Q9,Q10,Q11
37	37	1509338-00	DEC6531B NPN 310MW SI 40 90 P	1	Q5
38	38	1510705-00	XA 05 NPN 500MW SI 60 50 P	1	Q6
39	39	1911944-00	555CN TIMER,FUNCT.BLOCK	2	E1,C2
40	40	1910282-00	301AN OP AMP	3	E3 E4,E5
41	41	1300391-00	1.5 K 1/4W 5% CC (13-00	2	R10,R24
42	42	1213335-00	HEADER 20POS RT ANGLE FOR 12-13334	1	J4
43	43	1300439-00	3.3 K 1/4W 5% CC (13-00	1	R11
44	44	1212416-02	THERMOSTAT,00160,N/C,SPST,AUTO RESET	2	S1,S2
45	45	1300432-00	3 K 1/4W 5% CC (13-00	1	R23
46	46	1109990-00	1N 757A VZ= 9.1 5% .40W P	1	D8
47	47	1005965-00	.47 MFD 35V 10% 150D S.TA (10-00	1	C10
48	48	9009157-00	ADHESIVE, PERMABOND #101	A/R	
49	49	9105740-55	WIRE(WRAP)30AWG UL1423 (91-00	A/R	

DIGITAL EQUIPMENT CORPORATION MAYNARD, MASSACHUSETTS	TITLE PARTS LIST H785 CONTROL BOARD	SIZE K	CODE PL	DOCUMENT NUMBER 5412385-0-0	REV E
---	---	-----------	------------	--------------------------------	----------

THIS DRAWING AND SPECIFICATIONS HEREIN ARE THE PROPERTY OF DIGITAL EQUIPMENT CORPORATION AND SHALL NOT BE REPRODUCED OR COPIED OR USED IN WHOLE OR IN PART AS THE BASIS FOR THE MANUFACTURE OR SALE OF ITEMS WITHOUT WRITTEN PERMISSION. COPYRIGHT © 1976, DIGITAL EQUIPMENT CORPORATION

DCS 5412385-0-1 2



NOTES:
 1. H785, 15V OPERATION REMOVE JUMPER W2.
 2. H785C, 12V OPERATION REMOVE JUMPER W1.
 W3 IS AN ENGINEERING OPTION TO BE DETERMINED AT A LATER DATE.

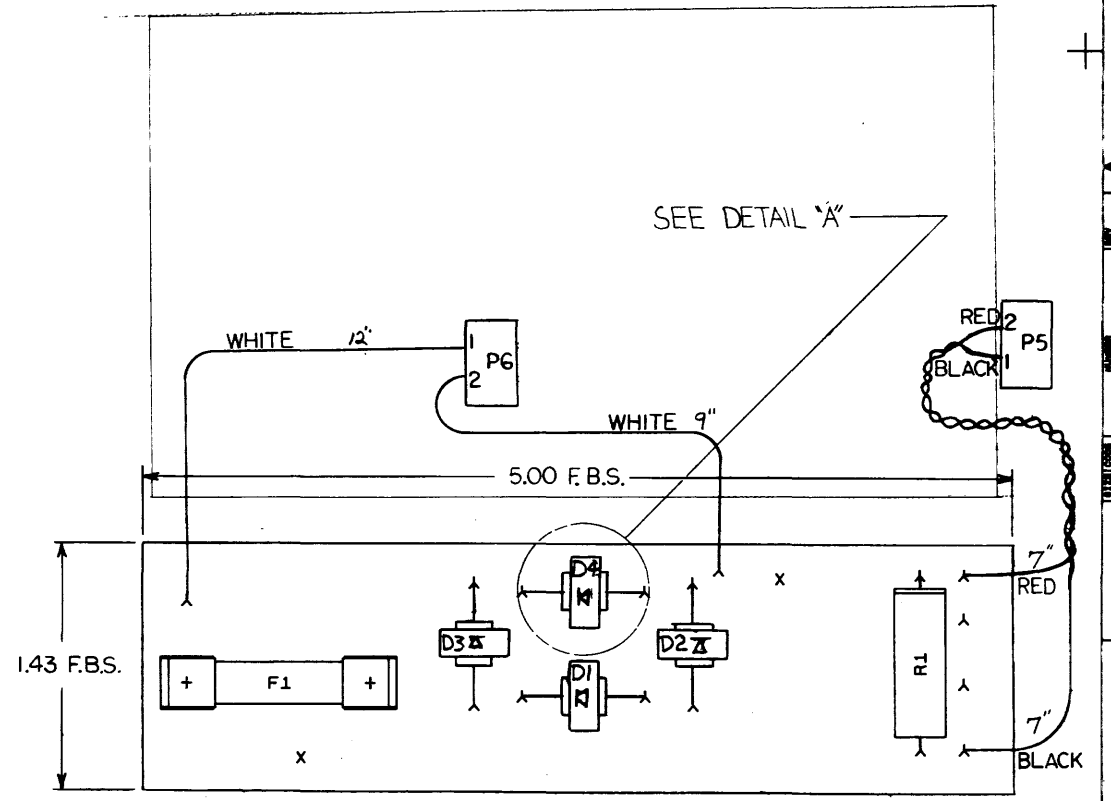
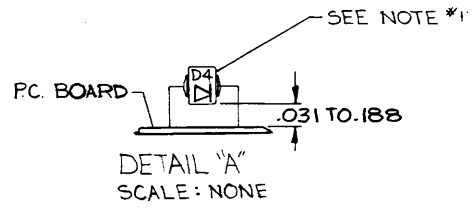
REV.	DATE	BY	CHK'D
1	10/29/76	GEORGE POTTER	
2	11/10/76	J. MERCURI	
3	12/22/76	G. POTTER	

DRN. J. Vincent	8-17-76	FIRST USED ON	
CHK'D		TITLE	H785
ENG.		CONTROL BOARD	
PROJ. ENG.		SIZE CODE	D CS
PROD.		NUMBER	5412385-0-1
NEXT HIGHER ASSY.		REV.	E
SCALE		SHEET	1 OF 1

THIS DRAWING AND SPECIFICATIONS, HEREIN, ARE THE PROPERTY OF DIGITAL EQUIPMENT CORPORATION AND SHALL NOT BE REPRODUCED OR COPIED IN WHOLE OR IN PART AS THE BASIS FOR THE CONSTRUCTION OR SALE OF OTHER VEHICLES WITHOUT PERMISSION. DIGITAL EQUIPMENT CORPORATION 1976

COMPONENT SIDE VIEW

NOTES:
 1. DIODES D1 THRU D4 MUST BE RAISED FROM THE P.C. BOARD .031 TO .188



NOTES:

CHANGE NO	REV	DATE	BY	CHK'D
1	C	9-21-76	G. POTTER	
2	D	11-5-76	G. POTTER	
3	E	11-5-76	J. MERCURI	

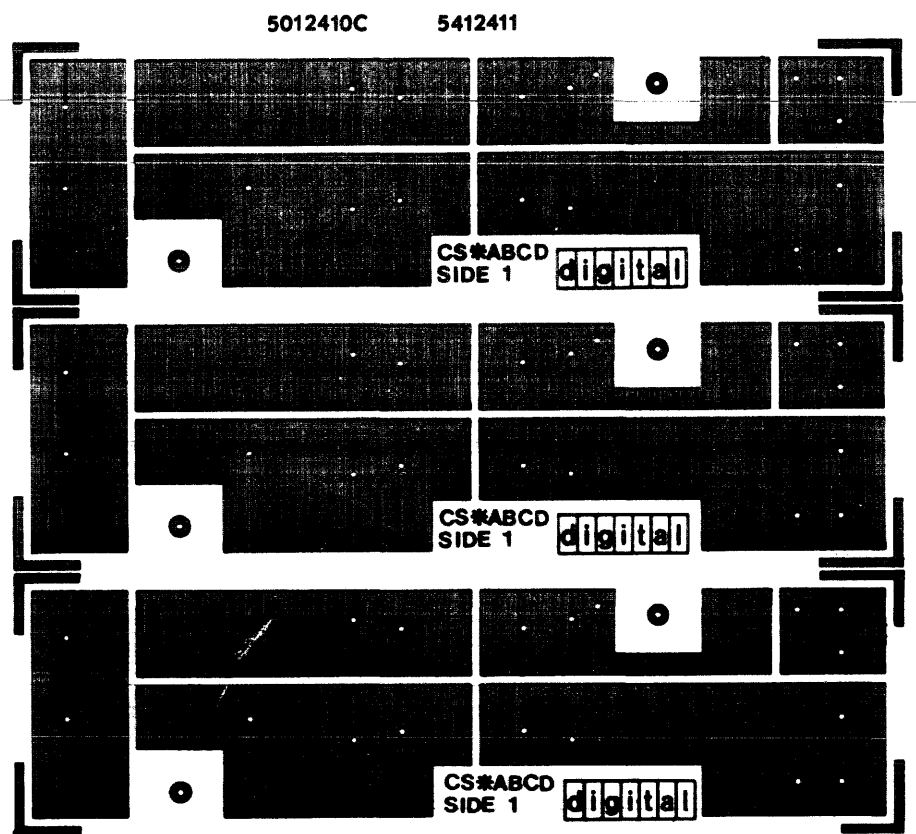
ETCH REV. C	P.C. DESIGN DATA BASE REV. C
-------------	------------------------------

SIGNATURES	DATE
DRN. <i>[Signature]</i>	9-21-76
CHK'D. <i>[Signature]</i>	9-21-76
ENG. <i>[Signature]</i>	11-5-76
PROD. <i>[Signature]</i>	11-5-76

digital	
TITLE INPUT RECTIFIER BOARD	
SIZE CODE	NUMBER
D UA	541241-0-0
REV	E

541241-0-0
 D UA
 MS# 60954

"THIS DRAWING AND SPECIFICATION HEREIN ARE THE PROPERTY OF DIGITAL EQUIPMENT CORPORATION AND SHALL NOT BE REPRODUCED OR COPIED OR USED IN WHOLE OR IN PART AS THE BASIS FOR THE MANUFACTURE OR SALE OF ITEMS WITHOUT WRITTEN PERMISSION. COPYRIGHT ©1976 DIGITAL EQUIPMENT CORPORATION"

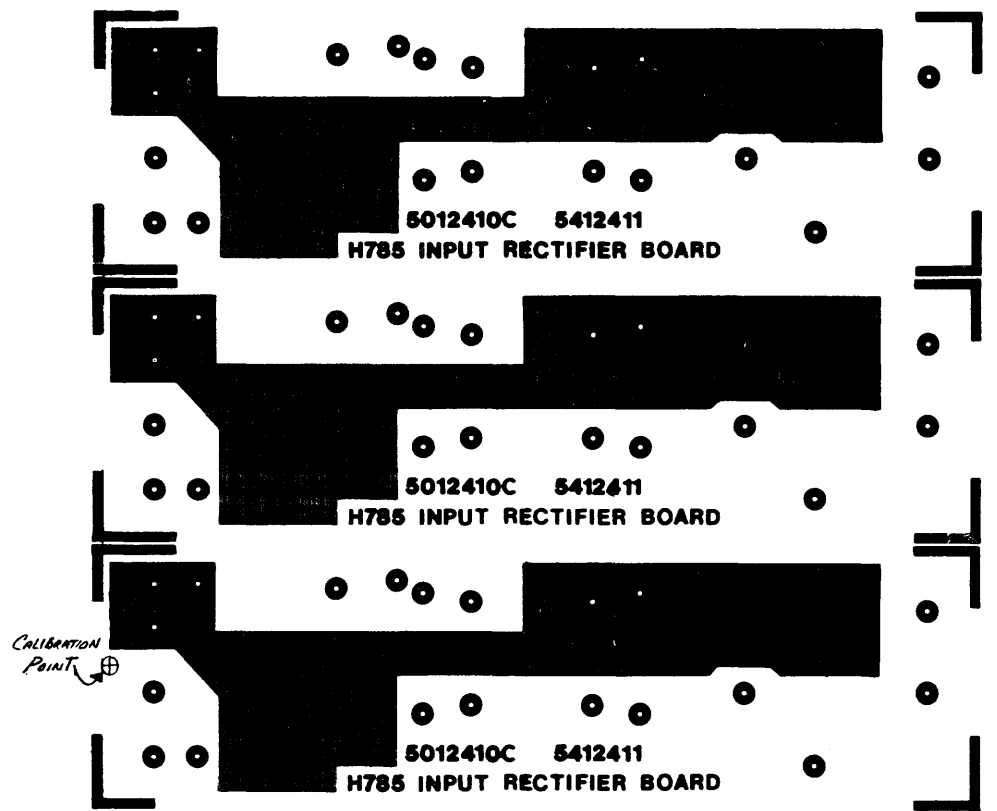


REVISIONS		
CHK	CHANGE NO.	REV.

TITLE	SIZE CODE	NUMBER	REV.
INPUT RECTIFIER BOARD	D UA	5412411-0-0	E
SCALE 2/1	SHEET 2 OF 3	DIST.	

"THIS DRAWING AND SPECIFICATIONS, HEREIN, ARE THE PROPERTY OF DIGITAL EQUIPMENT CORPORATION AND SHALL NOT BE REPRODUCED OR COPIED OR USED IN WHOLE OR IN PART AS THE BASIS FOR THE MANUFACTURE OR SALE OF ITEMS WITHOUT WRITTEN PERMISSION. COPYRIGHT ©1976 DIGITAL EQUIPMENT CORPORATION"

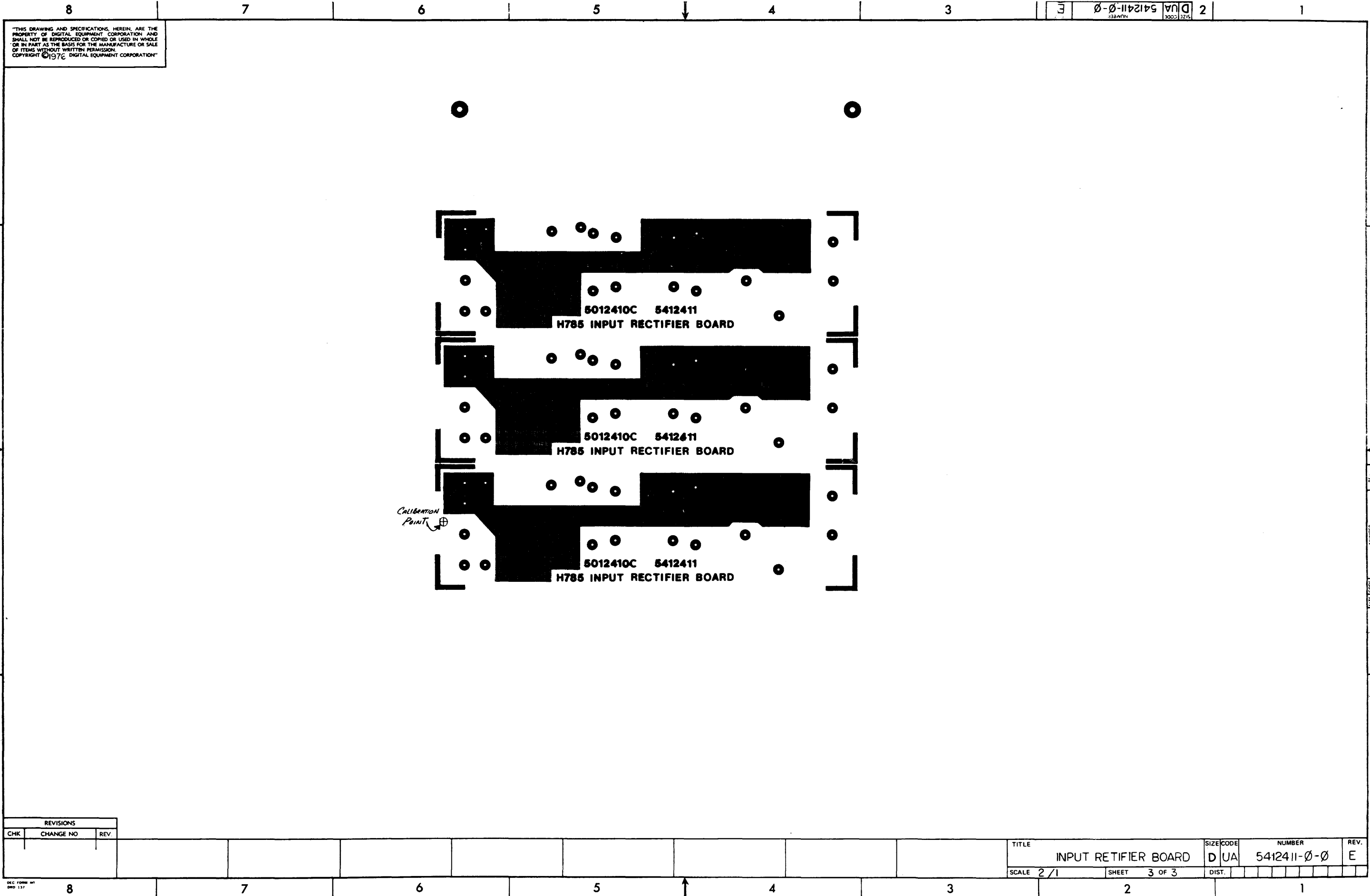
SIZE CODE D UA NUMBER 5412411-0-0 SHEET 2



REVISIONS		
CHK	CHANGE NO	REV

TITLE	SIZE CODE	NUMBER	REV.
INPUT RECTIFIER BOARD	D UA	5412411-0-0	E
SCALE 2/1	SHEET 3 OF 3	DIST.	

SIZE CODE D UA NUMBER 5412411-0-0 REV. E



LINE	ITEM	DOCUMENT NO.	PART NO.	DESCRIPTION	QTY	REFERENCE DESIGNATORS
1	1	D-MD-5012410-0-0	5012410-00	5412411	1	
2	2		1110615-00	MR 752 PIV=200 I=22A A264 SM	4	D1-D4
3	3		1210821-02	MATE-N-LOK 2PIN,HOUSING,SKT	2	P5,P6
4	4		1209379-01	MATE-N-LOK PIN 20-14AWG LOOSE	4	
5	5		1302609-00	4.7 K 2W 10% CC (13-00	1	R1
6	6		9009000-00	EYELET, ROLLED FLANGE, .121 OD X .156 LG	2	
7	7		9008390-00	FUSE, REG BLOW, 10.000A, 250V, CERAMIC	1	
8	8		9007203-00	CLIP, FUSE, WITH STOP, SCREW MOUNTED	2	
9	9		9107360-99	WIRE,STRND,18AWG,IPVC UL1429 (91-00 A/R		
10	10		9107430-02	WIRE,STRND,18AWG,IPVC (UL1429) (91-00 A/R		

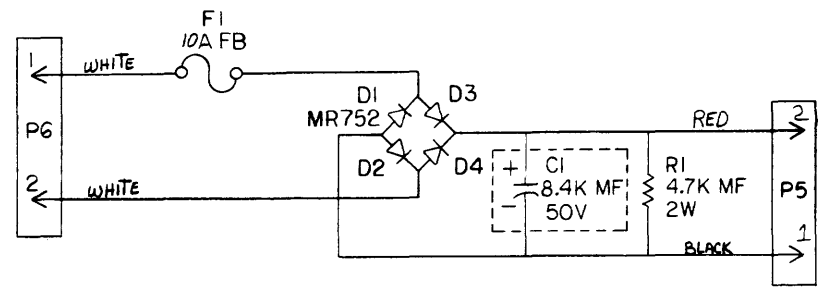
11 NOTE: MS60954 ETCH REV C CS REV B

REVISION HISTORY			VARIATIONS FOR THIS ASSY.		FIRST USED ON:		DIGITAL EQUIPMENT CORPORATION MAYNARD, MASSACHUSETTS	
CHK	ECO NO	REV			MADE BY:	DATE:	TITLE	
---	00003	E	00		D.BILODEAU	08-MAR-78	PARTS LIST	
					F.GAROFALO	08-MAR-78	INPUT RECTIFIER BOARD	
					J.MERCURI	08-MAR-78		
					R.B.KING	08-MAR-78		
					J.MERCURI	08-MAR-78		
							SIZE: K	CODE: PL
							DOCUMENT NUMBER	REV
							5412411-0-0	E
							ASSY.NO.: D-UA-5412411-0-0	EDIT#
								3

*THIS DRAWING AND SPECIFICATIONS HEREIN, ARE THE PROPERTY OF DIGITAL EQUIPMENT CORPORATION AND SHALL NOT BE REPRODUCED OR COPIED OR USED IN WHOLE OR IN PART AS THE BASIS FOR THE MANUFACTURE OR SALE OF ITEMS WITHOUT WRITTEN PERMISSION.
COPYRIGHT 1978. DIGITAL EQUIPMENT CORPORATION *

"THIS DRAWING AND SPECIFICATIONS, HEREIN, ARE THE PROPERTY OF DIGITAL EQUIPMENT CORPORATION AND SHALL NOT BE REPRODUCED OR COPIED OR USED IN WHOLE OR IN PART AS THE BASIS FOR THE MANUFACTURE OR SALE OF ITEMS WITHOUT WRITTEN PERMISSION.
COPYRIGHT © 1976 DIGITAL EQUIPMENT CORPORATION"

NOTES:
1. C1 WILL BE CONNECTED TO BOARD AT NEXT HIGHER ASSEMBLY.



IC TYPE	GND	+5V
GND AND 5V ARE USUALLY PIN 7 AND 14 RESPECTIVELY EXCEPTIONS ARE STATED ABOVE		
IC PIN LOCATIONS		

FIRST USED ON OPTION MODEL		QTY	REF. DESIGNATION	DESCRIPTION	PART NO.	ITEM NO.
ETCH BOARD REV. C						
PARTS LIST						
DRG	DATE	digital				
CHK	DATE					
ENG	DATE					
PRJ. ENG	DATE					
PROG	DATE					
NEXT HIGHER ASSY		TITLE INPUT RECTIFIER BOARD				
DEC NO.	EIA NO.	DEC NO.	EIA NO.	SCALE	SIZE CODE	NUMBER
SEMICONDUCTOR CONVERSION CHART				SHEET	D CS	5412411-0-1
				OF	DIST.	REV. C

8 7 6 5 4 3 2 1
D C B A
REV. C
PART NUMBER 5412411-0-1
D CS