

Installing and Using the LA50 Printer

digital

Installing and Using the LA50 Printer

Prepared by Educational Services
of
Digital Equipment Corporation

1st Edition, August 1982

Copyright © 1982 by Digital Equipment Corporation
All Rights Reserved

The reproduction of this material, in part or whole, is strictly prohibited. For copy information, contact the Educational Services Department, Digital Equipment Corporation, Maynard, Massachusetts 01754.

The information in this document is subject to change without notice. Digital Equipment Corporation assumes no responsibility for any errors that may appear in this document.

Notice: This equipment generates and uses radio frequency energy. It has been type tested and found to comply with the limits for a Class B computing device in accordance with the specifications in Subpart J of Part 15 of FCC Rules, which are designed to provide reasonable protection against radio and television interference in a residential installation. However, there is no guarantee that interference will not occur in a particular installation. If this equipment does cause interference to radio or television reception, the user is encouraged to try to correct the interference.

Printed in Japan.

The following are trademarks of Digital Equipment Corporation, Maynard, Massachusetts.

DEC
DECUS
DIGITAL
Digital Logo
PDP
UNIBUS
VAX
OS/8

DECnet
DECsystem-10
DECSYSTEM-20
DECwriter
DIBOL
EduSystem
OMNIBUS

IAS
MASSBUS
PDT
RSTS
RSX
VMS
VT

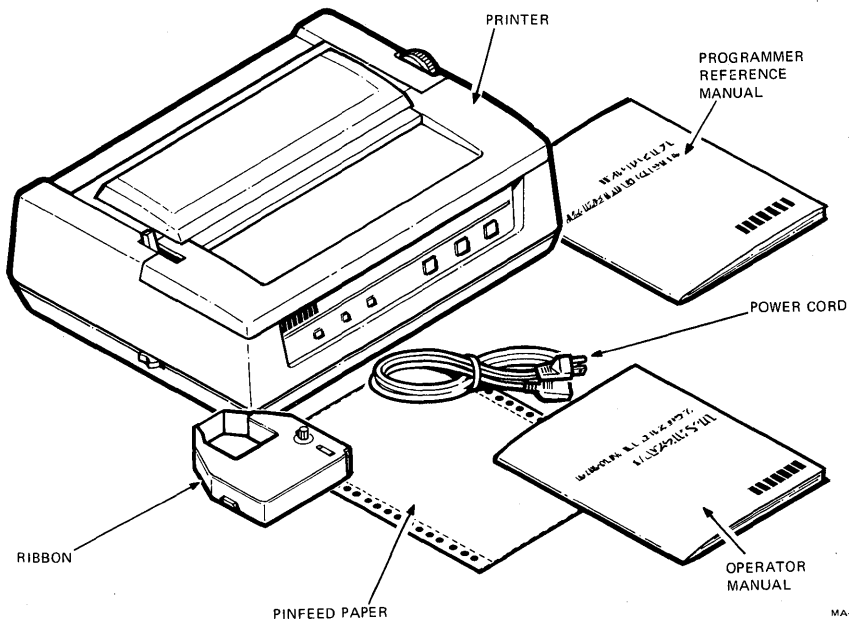
CONTENTS

Introduction

Installing Printer	1
Packing Removal	1
Installing Ribbon Cartridge	2
Installing Power Cable	4
Inserting Paper	5
Inserting Pinfeed Paper	5
Inserting Single Sheet Paper	10
Self-Test Procedure	12
Installing System Cable	14
Front Panel Indicators and Switches	15
Printer Controls	16
Maintaining Printer	17
Troubleshooting Printer	18
Operator Checklist	18
Replacing Printhead	20
Replacing Fuse	24
Printer Configuration	26
Configuration Switches	26
National Character Set Switches	28
Graphics Aspect Ratio Switch	29
XON/XOFF and Ready/Busy Protocol Switches	29
Right Margin Switch	30
Baud Rate Select Switches	30
Data Format Switches	31
Specifications	32
Field Service Information	34

INTRODUCTION

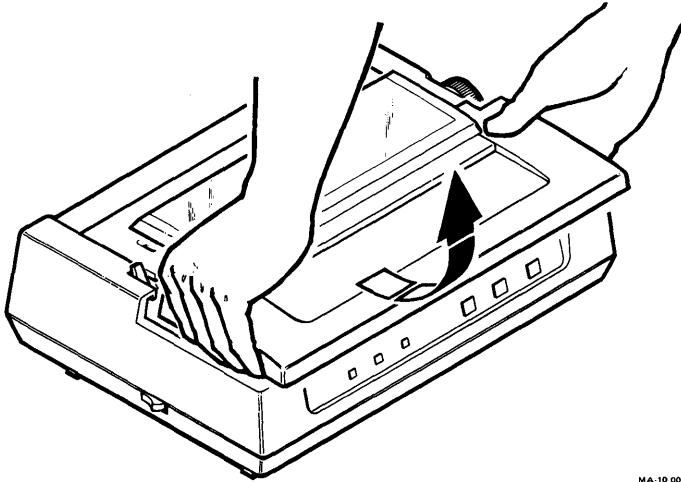
This document tells you how to install, use, maintain, troubleshoot, and configure your LA50 printer. Before you continue, make sure you have all the items shown below. If any items are missing or damaged, immediately contact your Sales Representative and Delivery Agent.



INSTALLING PRINTER

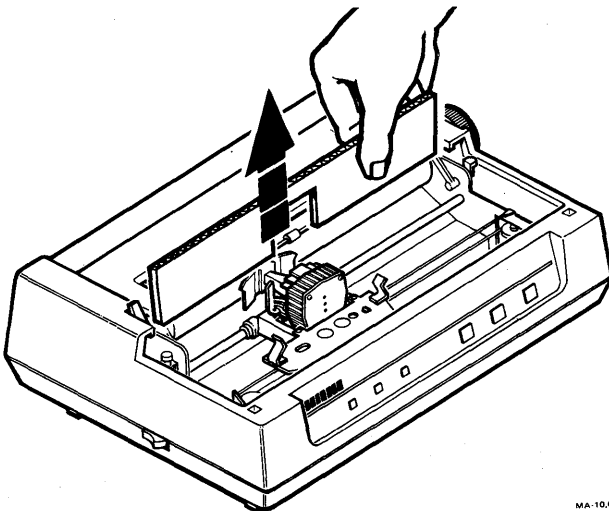
Packing Removal

1. Remove access cover.



MA-10,000

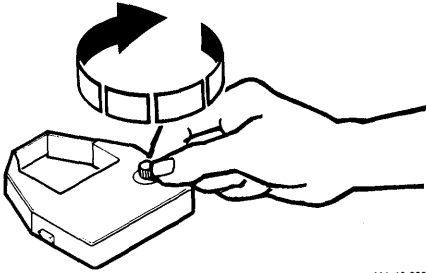
2. Remove cardboard retainer.



MA-10,001

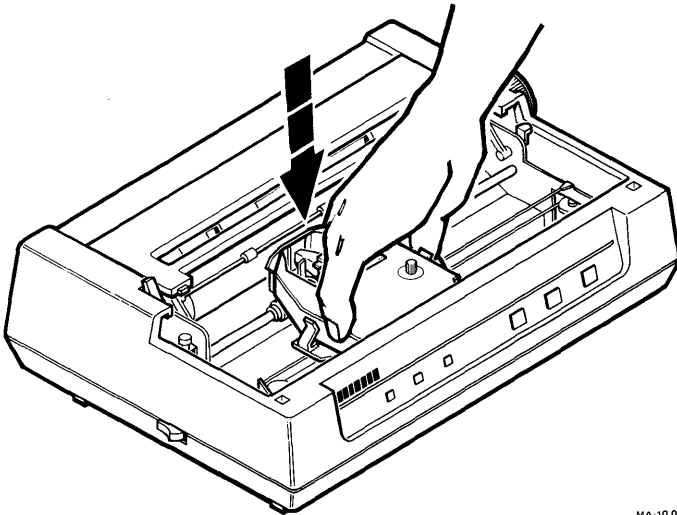
Installing Ribbon Cartridge

1. Take up slack in ribbon by turning knob in direction indicated.



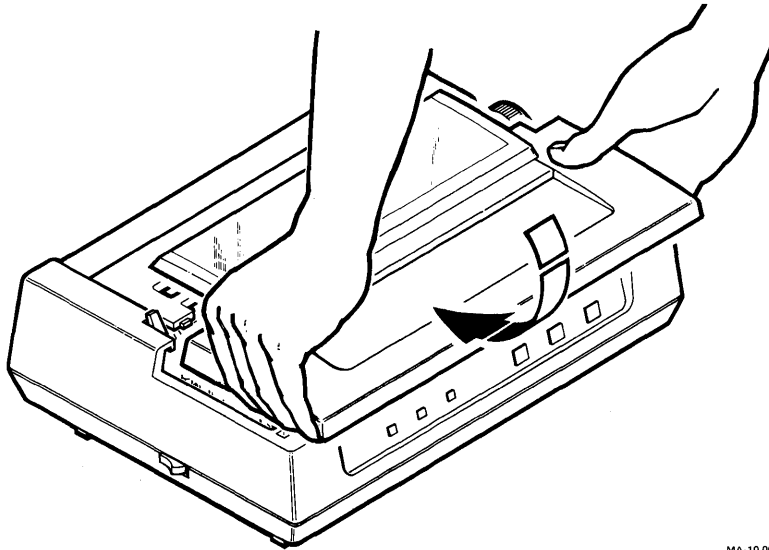
MA-10,002

2. Position cartridge between clips and push down into place.



MA-10,003

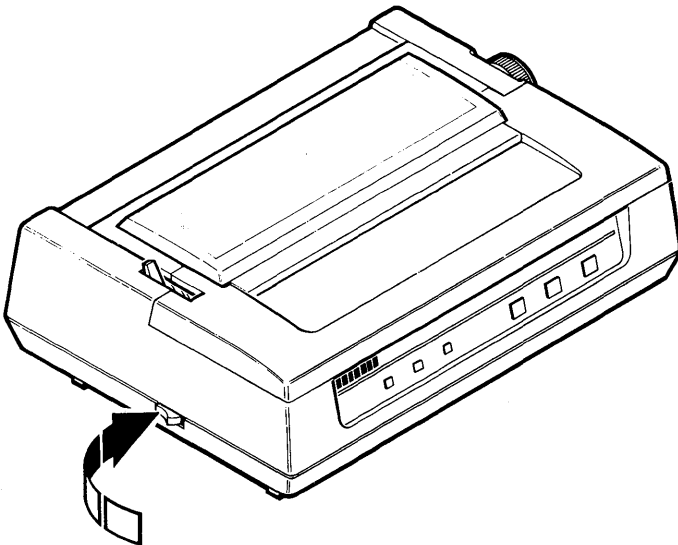
3. Replace access cover.



MA 10,004

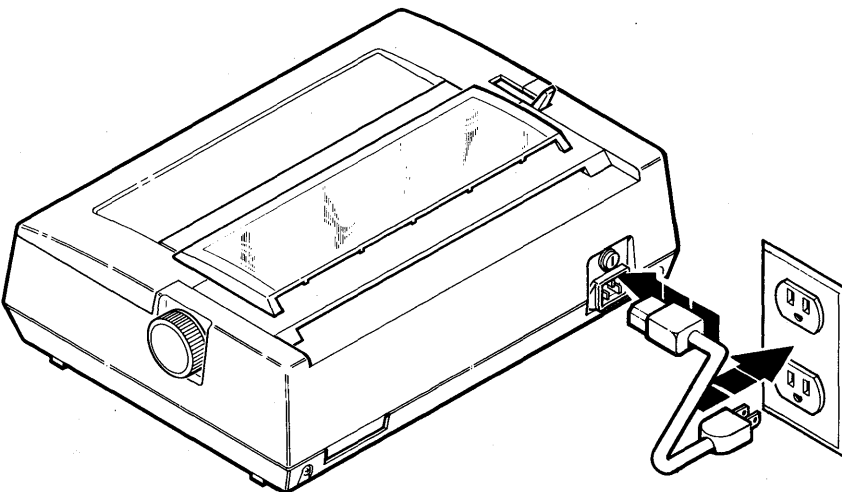
Installing Power Cable

1. Make sure power switch is set to off position (0).



MA-10,005

2. Plug power cable into rear of printer and electrical outlet.



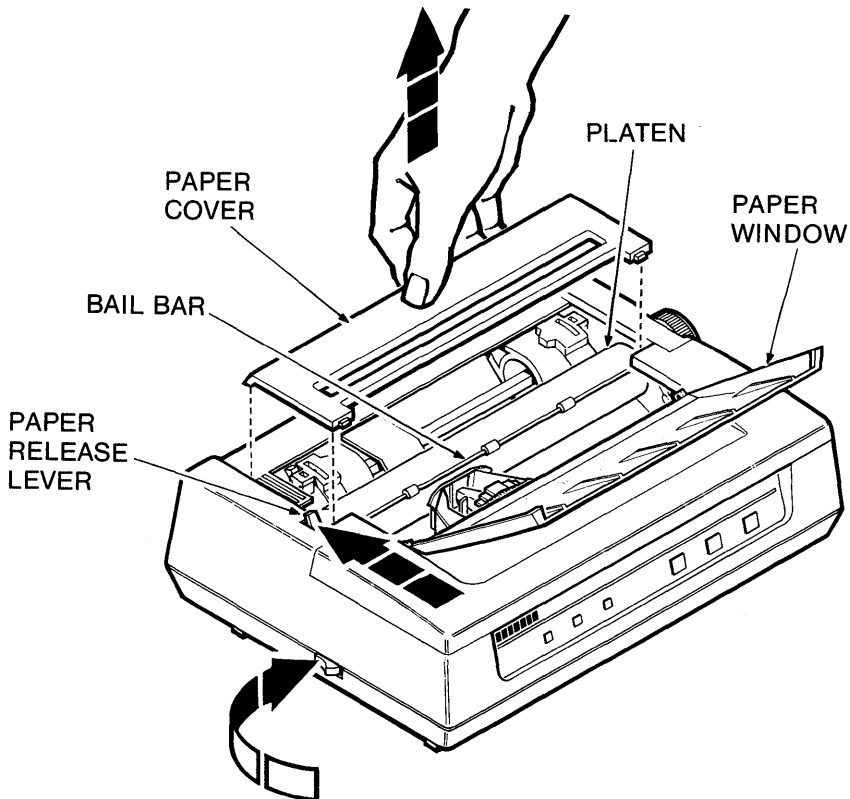
MA-10,006

INSERTING PAPER

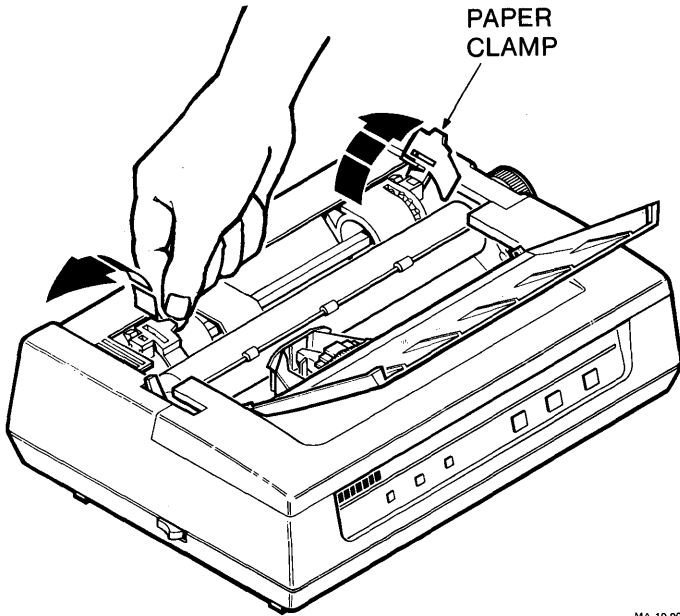
NOTE: The printer uses pinfeed or single sheet paper. Instructions on inserting single sheet paper are on page 10.

Inserting Pinfeed Paper

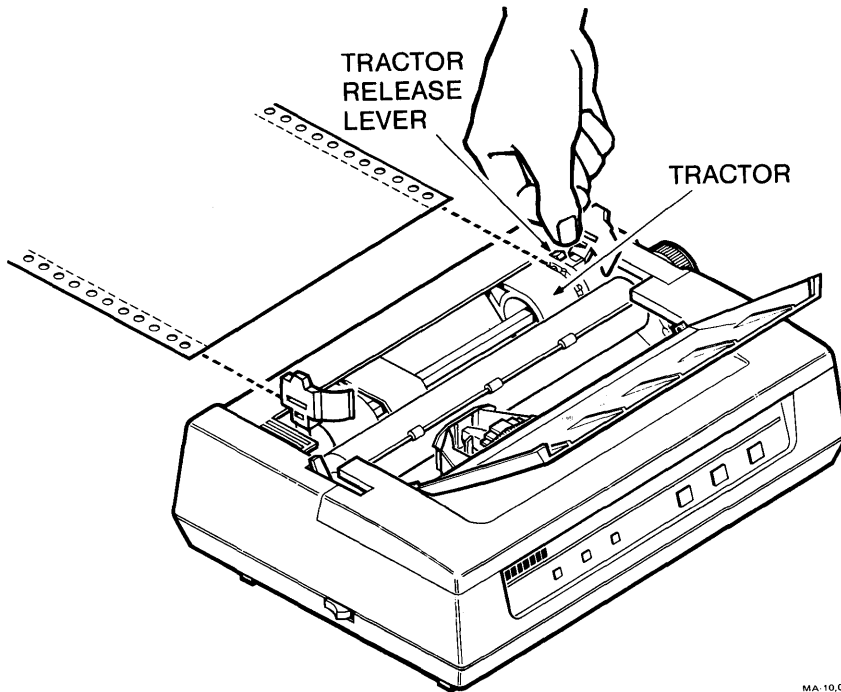
1. Turn off power.
2. Open paper window.
3. Remove paper cover.
4. Pull bail bar away from platen.
5. Push paper release lever toward back of printer.



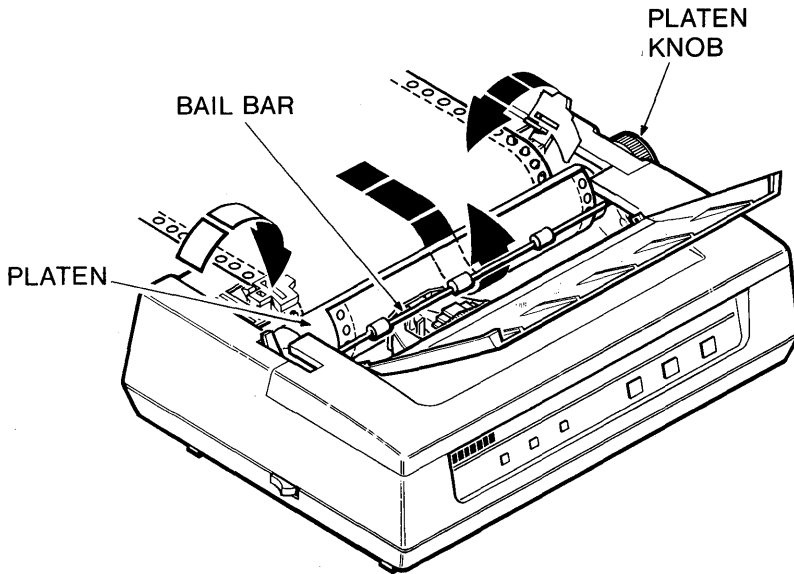
6. Open paper clamps.



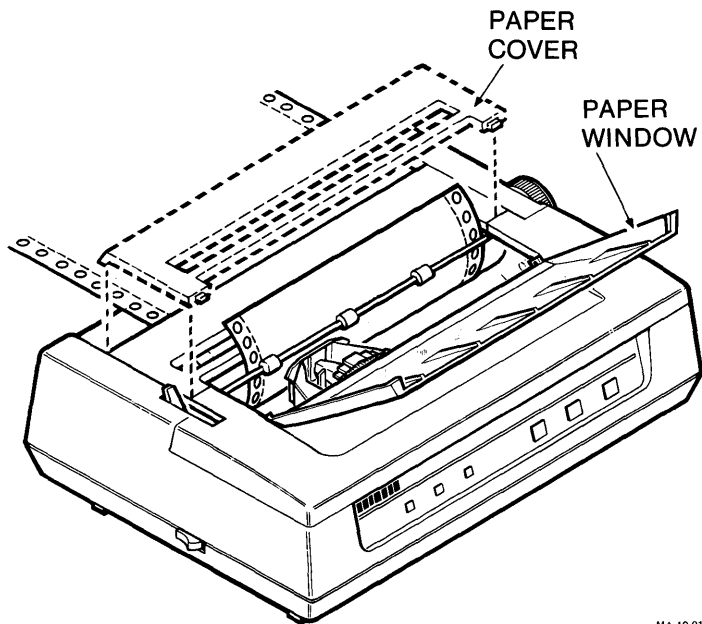
7. Position paper on tractor. If paper does not fit properly, use white tractor release levers to reposition tractors.



8. Close paper clamps.
9. Turn platen knob and guide paper behind platen.
10. Advance paper until top of paper is behind bail bar.



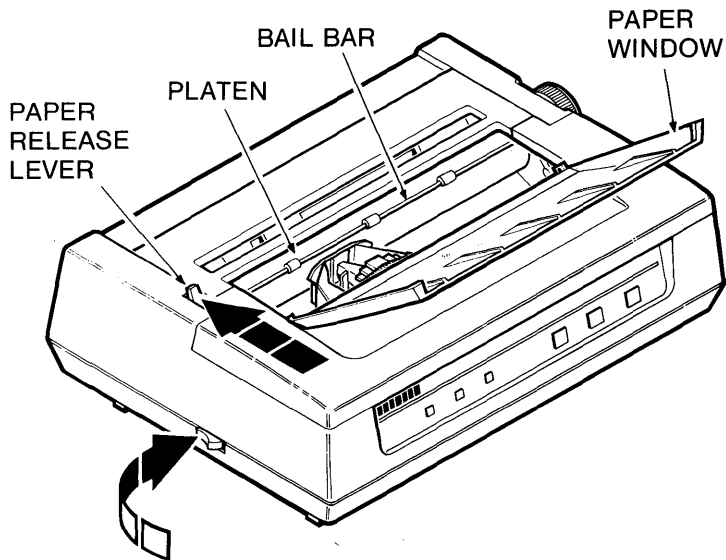
11. Push bail bar against platen.
12. Close paper window.
13. Replace paper cover.



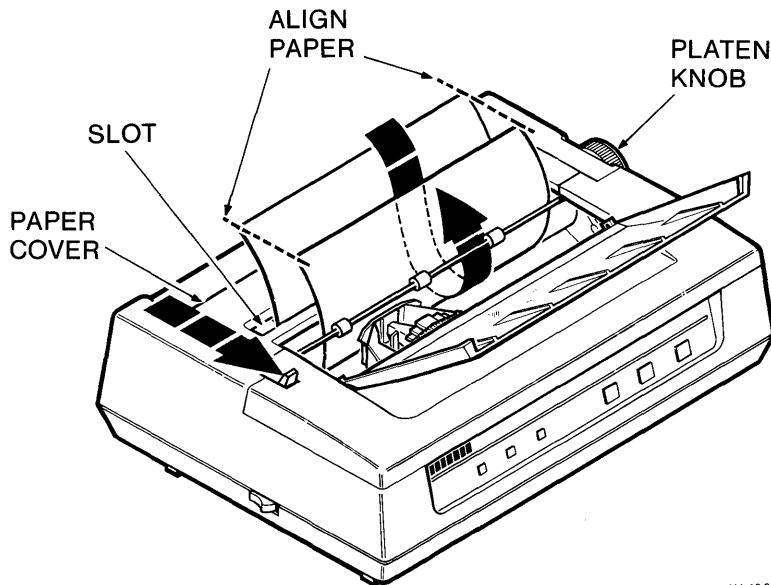
MA-10,011

Inserting Single Sheet Paper

1. Turn off power.
2. Open paper window.
3. Pull bail bar away from platen.
4. Push paper release lever toward back of printer.



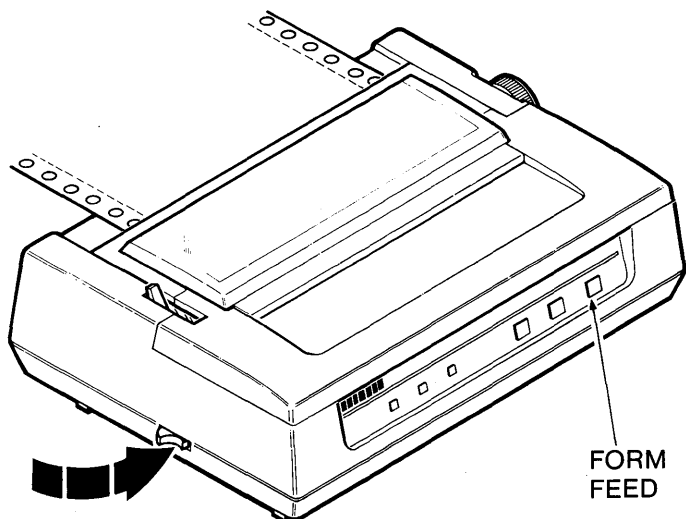
5. Push paper through slot in paper cover and guide it to front of platen. Align paper.
6. Pull paper release lever toward front of printer.
7. Push bail bar against platen.
8. Close paper window.
9. Turn platen knob to reposition paper.



SELF-TEST PROCEDURE

NOTE: The cover must be on to run self-test.

1. Push and hold down FORM FEED button.
2. Turn the power on.
3. Release FORM FEED button.



MA-10,014

You should get the following printout.

```

ABCDEFGHIJKLMN0PQRSTUVWXYZ[\]^_`abcdefghijklmnopqrstuvwxyz{|}~!"#$%&'()*+,-./01
BCDEFGHIJKLMN0PQRSTUVWXYZ[\]^_`abcdefghijklmnopqrstuvwxyz{|}~!"#$%&'()*+,-./012
CDEFGHIJKLMN0PQRSTUVWXYZ[\]^_`abcdefghijklmnopqrstuvwxyz{|}~!"#$%&'()*+,-./0123
DEFGHIJKLMN0PQRSTUVWXYZ[\]^_`abcdefghijklmnopqrstuvwxyz{|}~!"#$%&'()*+,-./01234
EFGHIJKLMN0PQRSTUVWXYZ[\]^_`abcdefghijklmnopqrstuvwxyz{|}~!"#$%&'()*+,-./012345
FGHIJKLMN0PQRSTUVWXYZ[\]^_`abcdefghijklmnopqrstuvwxyz{|}~!"#$%&'()*+,-./0123456
GHIJKLMN0PQRSTUVWXYZ[\]^_`abcdefghijklmnopqrstuvwxyz{|}~!"#$%&'()*+,-./01234567
HIJKLMN0PQRSTUVWXYZ[\]^_`abcdefghijklmnopqrstuvwxyz{|}~!"#$%&'()*+,-./012345678
IJKLMN0PQRSTUVWXYZ[\]^_`abcdefghijklmnopqrstuvwxyz{|}~!"#$%&'()*+,-./0123456789
JKLMN0PQRSTUVWXYZ[\]^_`abcdefghijklmnopqrstuvwxyz{|}~!"#$%&'()*+,-./0123456789:
KLMN0PQRSTUVWXYZ[\]^_`abcdefghijklmnopqrstuvwxyz{|}~!"#$%&'()*+,-./0123456789:;
LMN0PQRSTUVWXYZ[\]^_`abcdefghijklmnopqrstuvwxyz{|}~!"#$%&'()*+,-./0123456789:;<
MN0PQRSTUVWXYZ[\]^_`abcdefghijklmnopqrstuvwxyz{|}~!"#$%&'()*+,-./0123456789:;<=
N0PQRSTUVWXYZ[\]^_`abcdefghijklmnopqrstuvwxyz{|}~!"#$%&'()*+,-./0123456789:;<=>
0PQRSTUVWXYZ[\]^_`abcdefghijklmnopqrstuvwxyz{|}~!"#$%&'()*+,-./0123456789:;<=>?
PQRSTUVWXYZ[\]^_`abcdefghijklmnopqrstuvwxyz{|}~!"#$%&'()*+,-./0123456789:;<=>??

```

MA-10,016

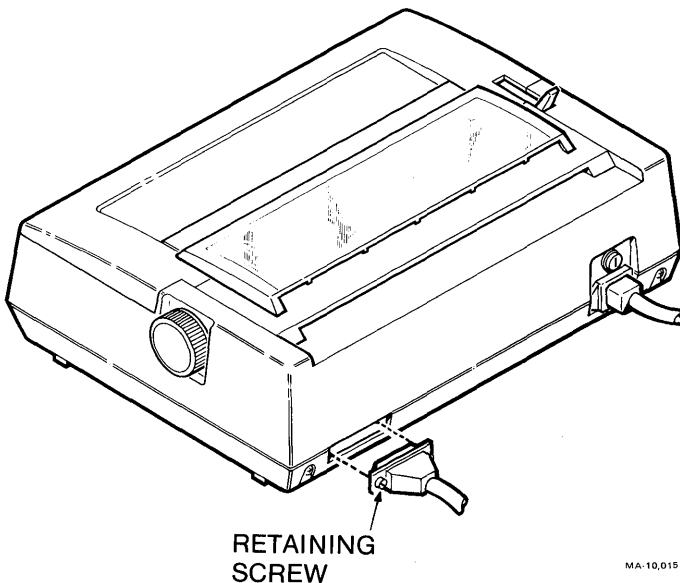
4. After a few lines print out, turn off power to stop printer.

Followup

If printer passes self-test, continue to next instruction. If printer does not pass self-test, or FAULT light blinks, refer to Troubleshooting section.

INSTALLING SYSTEM CABLE

1. Plug system cable into back of printer, and tighten two retaining screws by turning them clockwise.
2. Install other end of cable as described in your system installation manual.

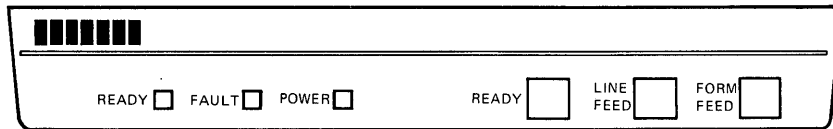


3. Installation is now complete. Please fill out and return the enclosed installation card.

A Customer Identification Number is located on the rear of the top cover. If you are capitalizing this equipment, use this number in your records as identification of the printer, and place your asset tag on the top cover.

Become familiar with the information in the next section before you operate the printer with your system.

FRONT PANEL INDICATORS AND SWITCHES



MA-10.017

READY Indicator

The green READY light indicates the printer's operating state. The light is on when the printer is ready to print, or is printing. If the light is off, the printer is not ready and will not start.

FAULT Indicator

The red FAULT light blinks when the printer detects an electronic fault. The light stays on when the printer is out of paper.

POWER Indicator

The green POWER light is on when you apply power to the printer.

READY Switch

The READY switch controls the printer's operating state. Pressing the switch puts the printer in either the ready or not ready state. Watch the READY light to determine the operating state.

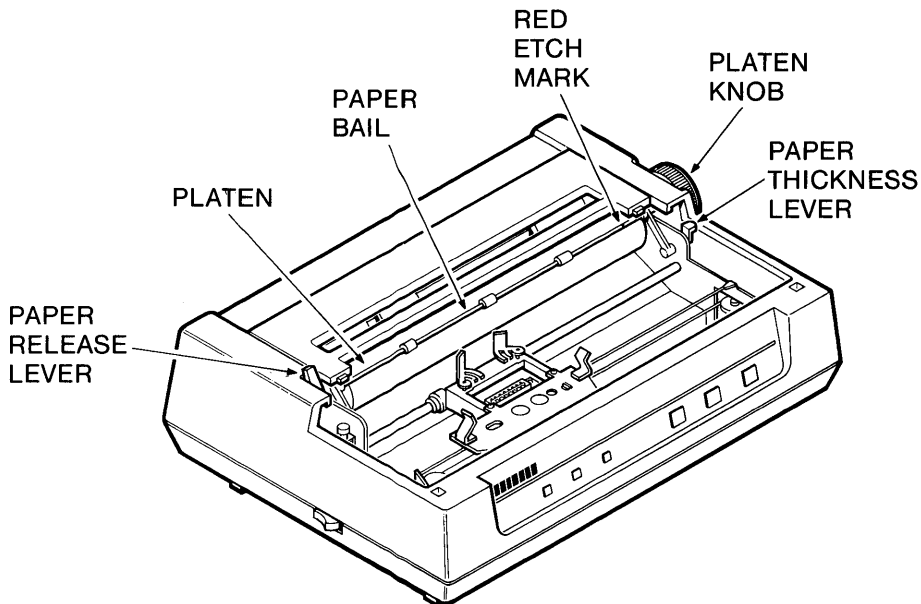
LINE FEED Switch

Pressing the LINE FEED switch advances the paper one line.

FORM FEED Switch

Pressing the FORM FEED switch advances the paper one full sheet.

PRINTER CONTROLS



MA-10,018

Paper Bail

The paper bail holds the paper against the platen. Red etch marks on the bail help you position paper on the platen and locate the horizontal printing position.

Paper Thickness Lever

The paper thickness lever adjusts the printhead position to allow for different printing form thickness. Keep the lever close to the platen for normal printing. Move the lever away from the platen for thicker sheets and multicopy forms.

Paper Release Lever

The paper release lever controls paper holding tension. In the forward position, paper is held tightly against the platen. In the backward position, the paper is free for positioning or removal.

Platen Knob

The platen knob allows manual control of the platen for paper insertion, and for changing the paper's vertical position.

MAINTAINING PRINTER

The printer does not need preventive maintenance. Clean its surfaces and platen with a damp cloth only. Do not use cleaners with solvents or excessive water.

Office Area

To help maintain proper operating temperatures, keep the printer away from extreme temperature, such as direct sunlight, room heaters, and air conditioners.

Keep paper clips, coffee, matches, cold drinks, and other small objects and liquids away from the printer.

Paper

Select the right paper for the job. Always make sure to position paper squarely and set it tightly around the platen. Also make sure the paper thickness lever is in correct position. To remove paper from the printer, use the form feed switch, or turn the platen knob.

Printhead and Ribbon Cartridge

Keep samples of early printouts to help you know when to replace the printhead and ribbon cartridge. Use only DIGITAL-approved ribbon cartridges in the printer. Other cartridges may not give the same performance and may damage your printer. Store printheads and ribbon cartridges in their containers, in the same environment as the printer. (Refer to specifications at the back of this document.)

TROUBLESHOOTING THE PRINTER

Operator Checklist

Try to correct the trouble as listed below.

CAUTION: Always turn off the printer before you attempt to correct a problem.

If you cannot correct the trouble:

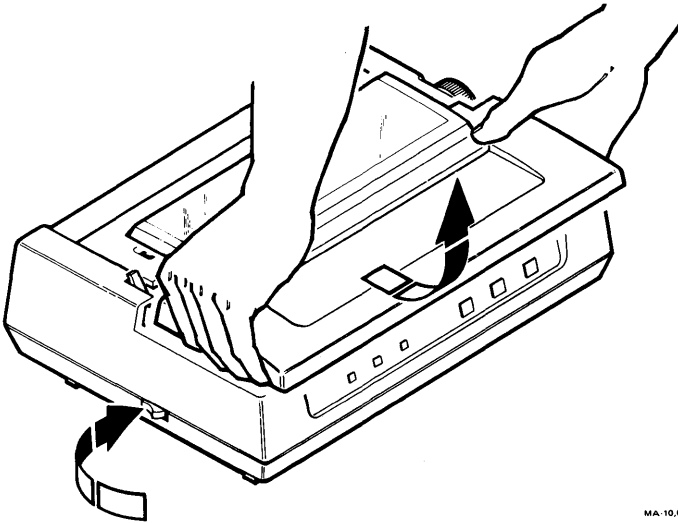
Turn off the printer and contact your dealer or the nearest DIGITAL service technician.

Trouble	Probable Cause	Corrective Action
Printer does not start when power is turned on.	Power cord not connected, or broken	Check power cord connections; check power cord for damage.
	Power source fault	Check power at power receptacle.
	Fuse open	Make sure fuse is in place. Replace fuse if blown. Refer to Fuse Replacement.
No printout. FAULT light is on. Pressing the READY button causes printer to print one line.	Printer out of paper	Reload paper and press the READY button.
No printout. FAULT light is on. READY light is out and pressing the READY button does not start printer.	Access cover open	Close cover and press the READY button.

Trouble	Probable Cause	Corrective Action
Light print.	Paper thickness lever set incorrectly	Reset paper thickness lever to a position closer to the platen.
	Ribbon worn	Replace ribbon cartridge.
Carriage moves, but no printout	Paper thickness lever set incorrectly	Reset paper thickness lever to a position closer to the platen.
	Printhead fault	Replace the printhead. Refer to Printhead Replacement.
Missing dots in print; always in same row.	Printhead fault	Replace the printhead. Refer to Printhead Replacement.
Paper jams.	Paper path obstructed	Clear paper path.
	Paper thickness lever set incorrectly	Reset paper thickness lever to a position away from the platen.
Pinfeed paper jams.	Tractors positioned incorrectly for paper width	Release and reposition the tractors. Avoid pulling or compressing paper.

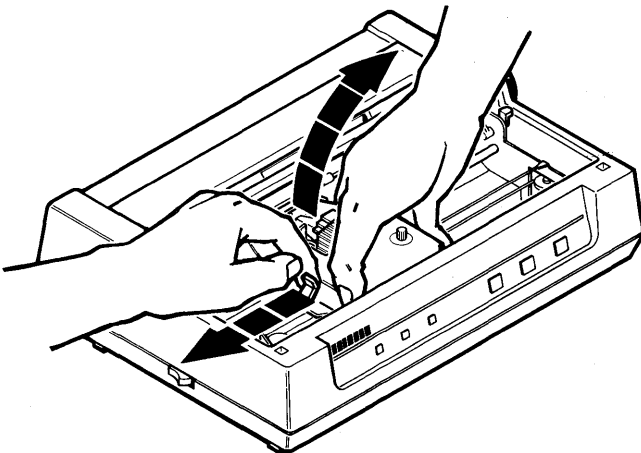
Replacing Printhead

1. Turn off power.
2. Remove access cover.



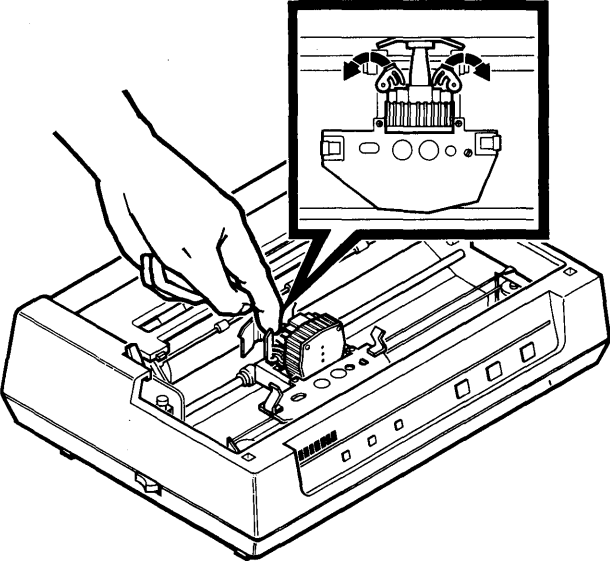
MA-10,019

3. Remove ribbon cartridge.



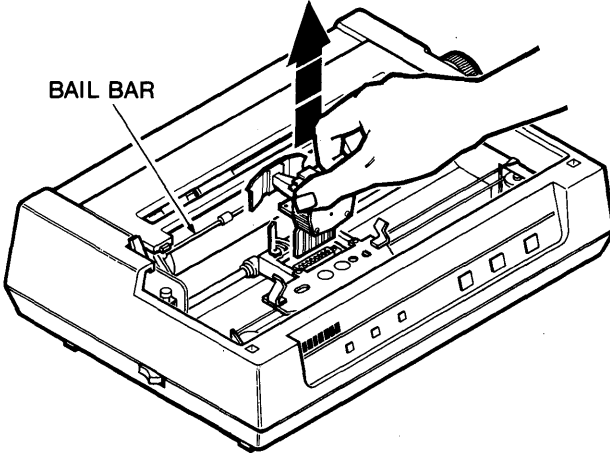
MA-10,020

4. Push printhead retainer clips away from head.



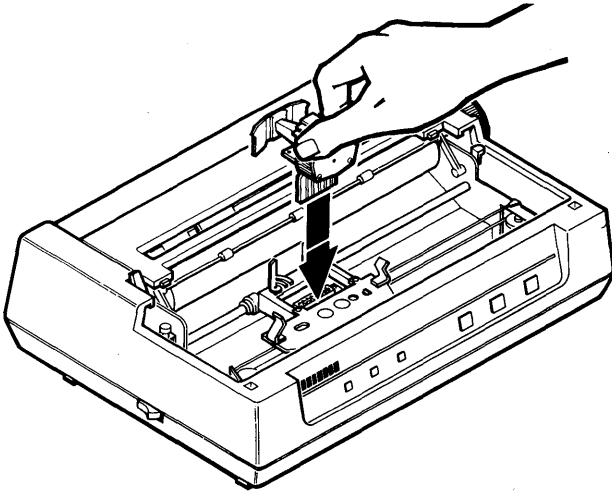
MA-10,021

5. Firmly pull head upward; be careful to avoid bail bar.



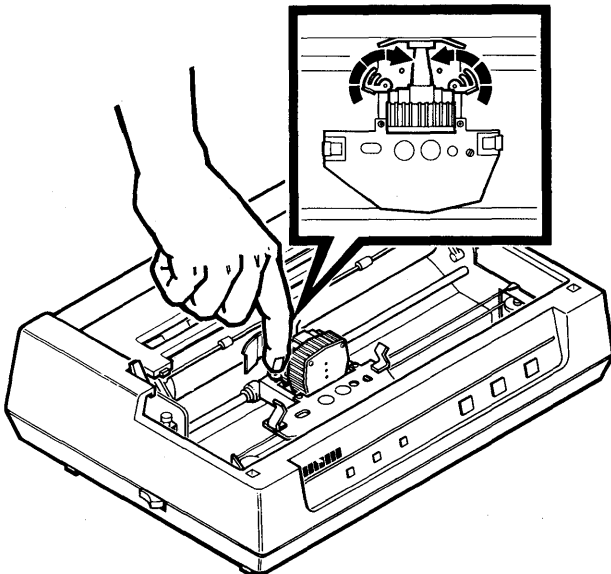
MA-10,022

6. Plug in replacement head. Make sure it is fully seated.



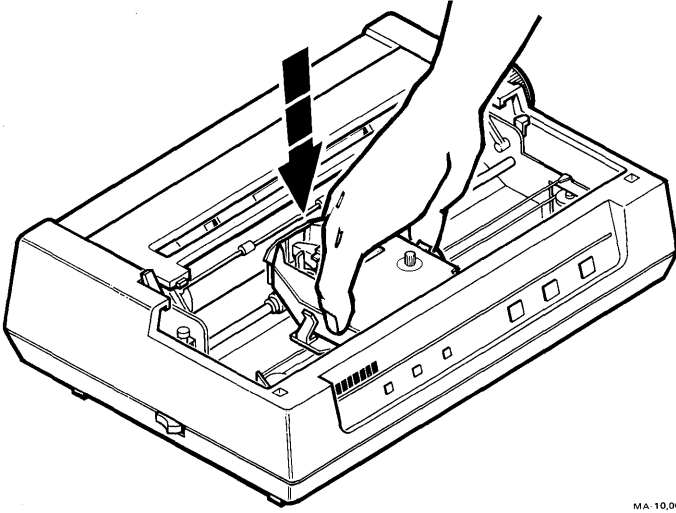
MA-10,023

7. Return printhead retainer clips to their original positions.



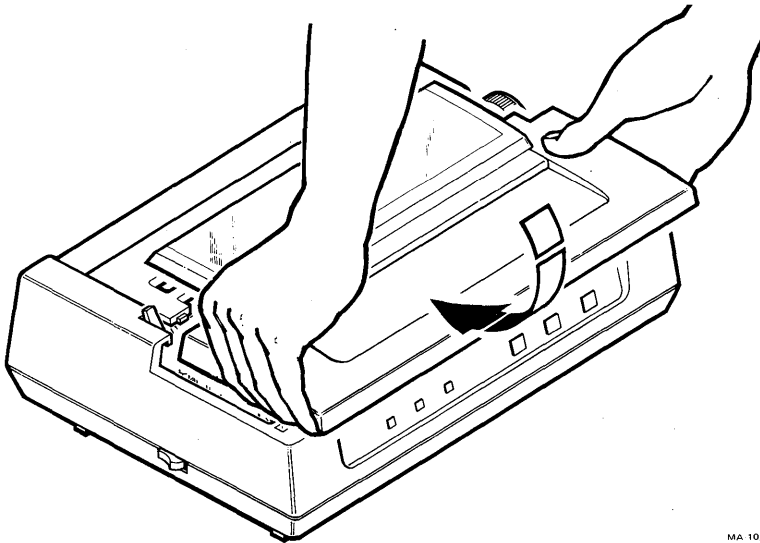
MA-10,024

8. Replace ribbon cartridge.



MA 10,003

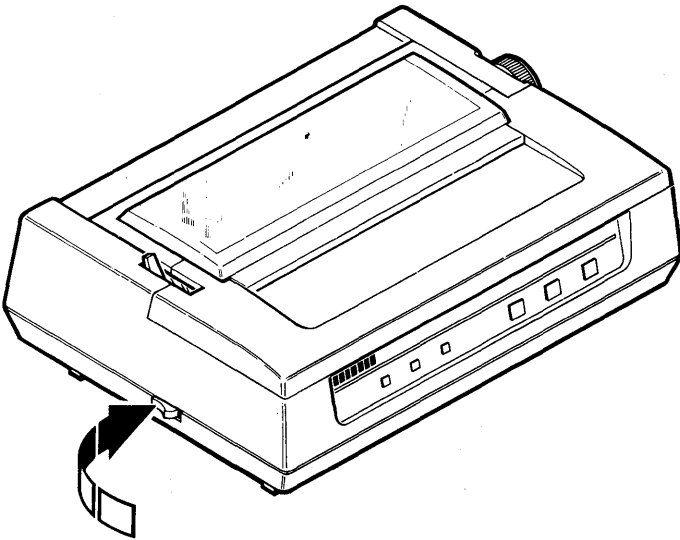
9. Replace access cover.



MA 10,004

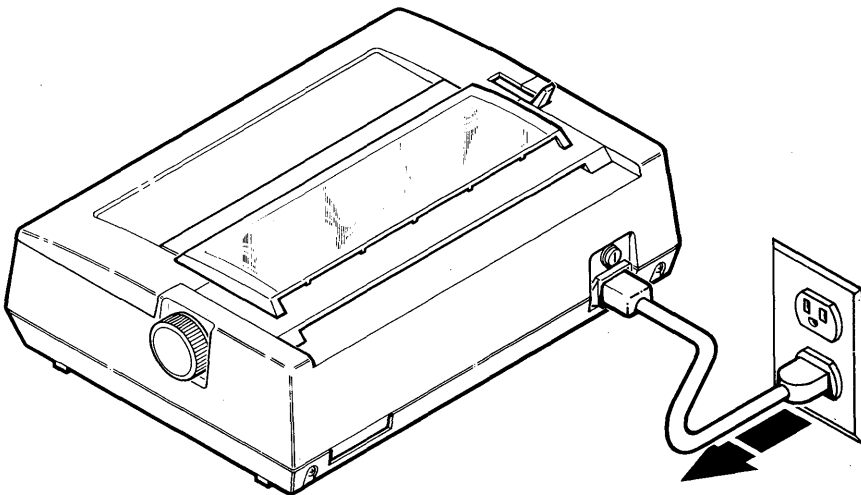
Replacing Fuse

1. Turn off power.



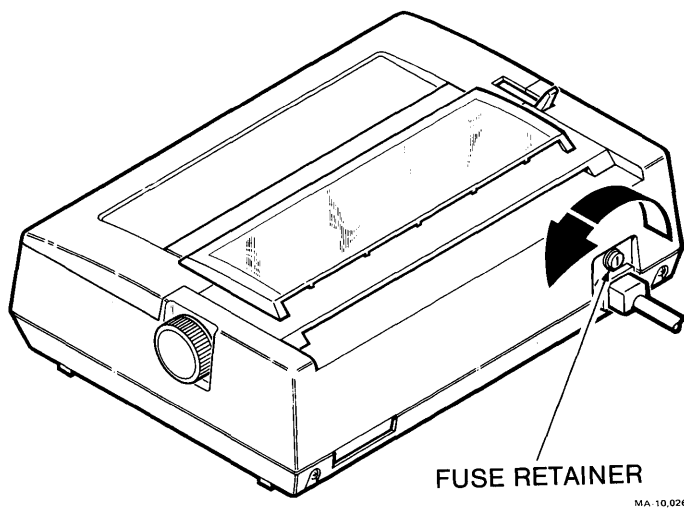
MA-10,005

2. Unplug power cord from power outlet.



MA-10,025

3. Turn fuse retainer counterclockwise.



MA 10,026

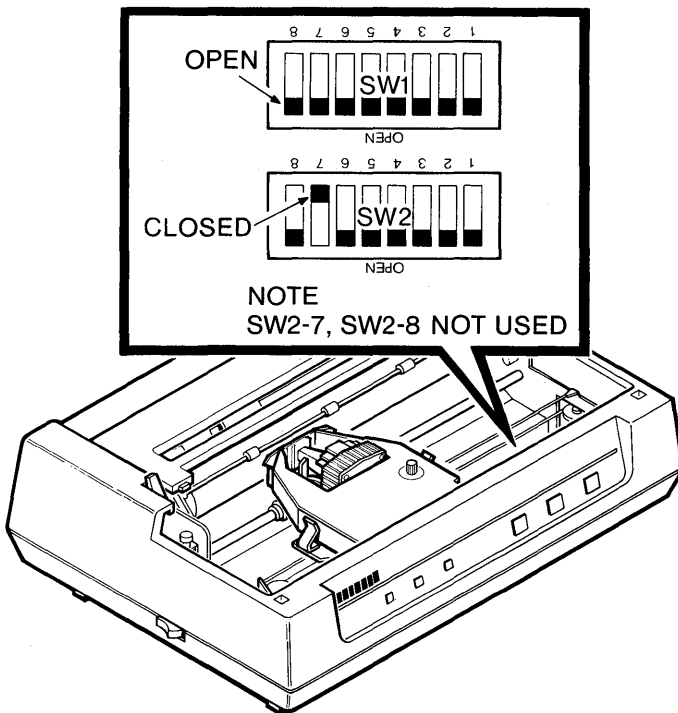
4. Remove retainer.
5. Replace fuse with one of equal value.

PRINTER CONFIGURATION

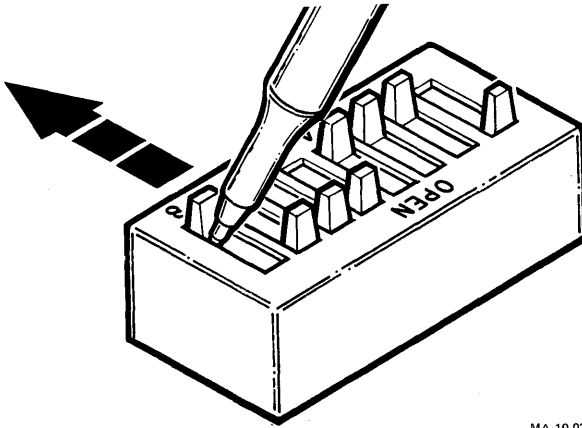
Configuration Switches

The configuration switches are set for printer use with DIGITAL systems in the United States. (The illustration shows factory settings.) The switches are under the access cover.

CAUTION: Turn off power before you reset the switches.



You can change the switch positions by sliding the switch tabs with a ball point pen or equivalent. Never use a lead pencil.



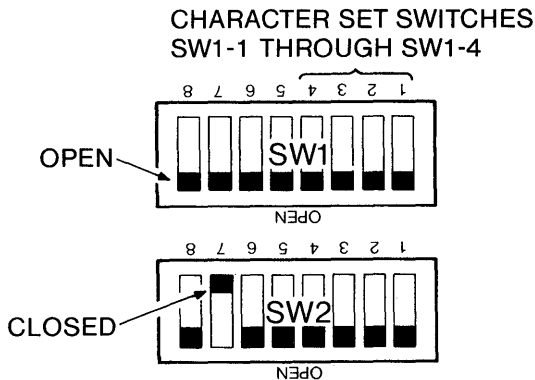
MA-10,028

The following tables show the switch positions for various system configurations.

National Character Set Switches SW1-1 through SW1-4

Switch SW1-1 through SW1-4 change the characters for multinational applications.

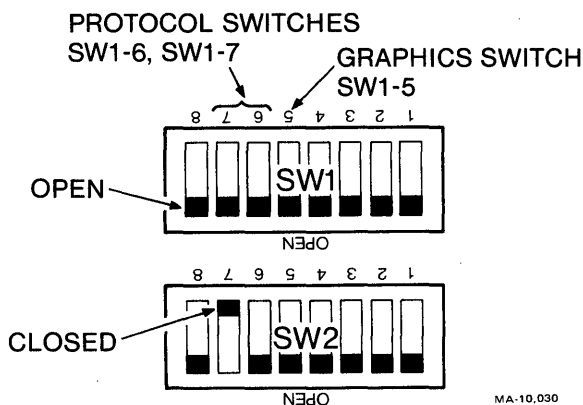
Nation	Switch Positions			
	SW1-1	SW1-2	SW1-3	SW1-4
United States	Open	Open	Open	Open (factory setting)
Britain	Closed	Open	Open	Open
Finland	Open	Closed	Open	Open
France	Closed	Closed	Open	Open
French Canada	Open	Open	Closed	Open
Germany	Closed	Open	Closed	Open
Italy	Open	Closed	Closed	Open
Japan	Closed	Closed	Closed	Open
Norway/Denmark	Open	Open	Open	Closed
Spain	Closed	Open	Open	Closed
Sweden	Open	Closed	Open	Closed



Graphics Aspect Ratio Switch SW1-5

Switch SW1-5 changes the horizontal to vertical dot ratio in graphic mode by changing the number of horizontal dots per inch. The number of vertical dots are kept constant at 72 dots per inch.

Ratio	Horizontal Dots/Inch	Switch Position
2 to 1	144	Open (factory setting)
2.5 to 1	180	Closed



XON/XOFF and Ready/Busy Protocol Switches SW1-6 and SW1-7

DIGITAL systems use XON/XOFF protocol. Other systems may require Ready/Busy protocol. Switch SW1-6 selects the protocol. Switch SW1-7 selects the ready and busy signal levels.

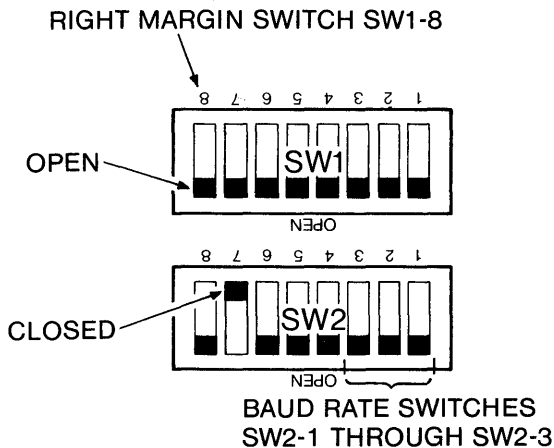
Protocol	SW1-6 Position
XON/XOFF	Open (factory setting)
Ready/Busy	Closed

Signal Level	SW1-7 Position
Busy = High Ready = Low	Open (factory setting)
Busy = Low Ready = High	Closed

Right Margin Switch SW1-8

Switch SW1-8 selects the method of controlling a line of characters that exceed the eight inch line of print. If set to truncate, the printer prints only the first eight inches of characters and drops the remaining characters. If set to wrap, the printer prints the remaining characters on the next line.

Selection	SW1-8 Switch Position
Truncate	Open (factory setting)
Wrap	Closed



MA-10,031

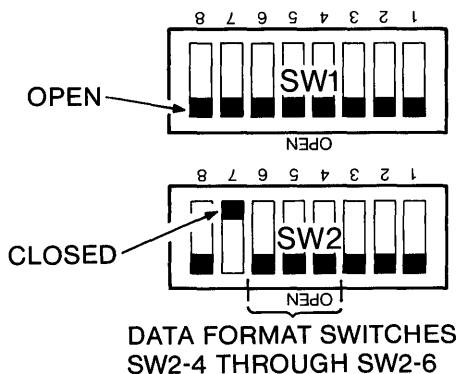
Baud Rate Select Switches SW2-1, SW2-2, SW2-3

These switches select the speed (bits per second) at which the printer communicates with the computer.

Baud Rate	Switch Positions		
	SW2-1	SW2-2	SW2-3
4800	Open	Open	Open (factory setting)
2400	Open	Closed	Open
1200	Open	Closed	Closed
600	Closed	Open	Open
300	Closed	Open	Closed
200	Closed	Closed	Open
110	Closed	Closed	Closed

Data Format Switches SW2-4, SW2-5, SW2-6

These switches select the data format to enable communication with the computer.



DATA FORMAT SWITCHES
SW2-4 THROUGH SW2-6

MA-10,032

Data Format	Switch Position		
	SW2-4	SW2-5	SW2-6
7 bits plus odd parity	Open	Closed	Closed
7 bits plus even parity	Closed	Closed	Closed
7 bits plus 8th bit mark	Open	Open	Closed
7 bits plus 8th bit space	Closed	Open	Closed
8 bits plus odd parity	Open	Closed	Open
8 bits plus even parity	Closed	Closed	Open
8 bits, no parity	Open	Open	Open (factory setting)

SPECIFICATIONS

Weight	8.5 Kg (18.7 lb)
Dimensions	
Width	400 mm (16 in)
Depth	295 mm (11.8 in)
Height	142 mm (5.6 in)
Environment	
Temperature	10° C to 40° C 50° F to 104° F
Relative Humidity	10% to 90%
Power requirements	LA50-RA 100 or 120 Vac, 50 or 60 Hz LA50-RB 220 or 240 Vac, 50 or 60 Hz
Power consumption	Less than 180 W
Data interface	Serial RS232-C and RS423 EIA standard
Ribbon	Disposable cartridge Two million characters life expectancy (average use)
Paper	
Type	Single sheet or sprocket
Dimensions	Single sheets: 3 to 9 inches wide Sprocket paper: 4.5 to 10 inches wide Sprocket holes: 4 to 9.5 inches on center 0.50 + / - 0.01 inch spacing
Thickness	0.011 inches maximum
Print method	Incremental with bidirectional lookahead
Print density	7 by 9 matrix (normal) 13 by 9 matrix (enhanced)

Print speed	100 CPS (7 by 9 matrix printing) 44 LPM (80 characters per line)
Character features	Enhanced density Bold Underlined Doublewidth
Graphic mode	144 or 180 dots/inch horizontal 72 dots/inch vertical 2:1 or 2.5:1 aspect ratio
Characters	94 ASCII 81 Multinational 63 JIS Katakana 27 VT100 Special Graphics 1 error indicator
Character pitch	
Compressed font	16.5 CPI, 132 characters/line
Double width	8.25 CPI, 66 characters/line
Elite pitch	12 CPI, 96 characters/line
Double width	6 CPI, 48 characters/line
Pica pitch	10 CPI, 80 characters/line
Double width	5 CPI, 40 characters/line
Line spacing	12, 8, 6, 4, 3 or 2 lines/inch Partial line up and down, 1/12 inch
Line feed speed	100 ms/line at 6 lines/inch

FIELD SERVICE INFORMATION

DIGITAL SERVICES

DIGITAL provides a wide range of maintenance programs that cover small systems and terminals. These include on-site, carry-in, and mail-in maintenance services. You can use these programs to select a plan that meets your service needs, from complete DIGITAL support, to self-maintenance.

ON-SITE SERVICE

DIGITAL offers fast, low cost, quality maintenance performed at your site by DIGITAL-trained Service Specialists. Whether you take advantage of our DECservice or Basic Service Agreements, or choose our Time and Materials service, you can be sure that your small system or terminal is getting the best possible maintenance.

CARRY-IN SERVICE

There are several hundred DIGITAL service centers in major cities worldwide, which offer convenient, fast, and dependable "return-to" maintenance, at a savings over on-site service.

DECMAILER

If you are capable of self-maintenance, you should use our fast turnaround module and sub-assembly repair service - DECmailer.

For more information on any of DIGITAL's Maintenance Services, call the DIGITAL Field Service information number in your area during normal business hours

United States	(800) 554-3333
Canada	(800) 267-5251
United Kingdom	(0256) 57122
Belgium	(02) 242-6790
West Germany	(089) 95 91 66 44
Italy	(02) 617-5381/2
Japan	(03) 989-7161

Digital Equipment Corporation • Maynard, MA 01754