

THIS DRAWING AND THE SPECIFICATIONS CONTAINED HEREIN ARE CONFIDENTIAL AND PROPRIETARY. THEY ARE THE PROPERTY OF DIGITAL EQUIPMENT CORPORATION AND SHALL NOT BE REPRODUCED OR COPIED OR USED IN WHOLE OR IN PART AS THE BASIS FOR MANUFACTURING OR SALE OF ITEMS WITHOUT WRITTEN PERMISSION. THIS IS AN UNPUBLISHED WORK PROTECTED UNDER THE FEDERAL COPYRIGHT LAWS.

FIELD MAINTENANCE PRINT SET

TABLE OF CONTENTS

B-TC-IEQ11-A-1	FIELD MAINTENANCE PRINT SET
B-DD-IEQ11-A-0	DRAWING DIRECTORY
K-PL-IEQ11-A-D8P	PARTS LIST
D-UA-M8634-0-0	IEQ11 BOARD
B-DD-M8634-0-0	IEQ11 BOARD
K-PL-M8634-0-D8P	IEQ11 BOARD
D-CS-M8634-0-1	IEQ11 BOARD
D-UA-SN11E-0-0	SN11E-0 CABLE ASSY
D-UA-BN11F-0-0	BN11F-0 CABLE ASSY
D-AD-BN11K-0-0	BN11K-0 CABLE ASSY
B-DD-BN11J-0-0	SHIELDED CABLE M856 TO IEC625, W/BLKHD
D-UA-BN11S-0-0	BN11S-0 CABLE ASSY
D-UA-7024783-0-0	ASSY, CABLE
D-UA-1701988-0-0	LOOPBACK CABLE DRAWING FOR M8634-PA VARIATION
K-PL-1701988-01	LOOPBACK CABLE FOR M8634-PA VARIATION
K-PL-IEQ11-S-D8P	IEQ11-S SHIPPING LIST

UNIT VARIATIONS COVERED BY THIS PRINT SET

IEQ11-A  
IEQ11-AA  
IEQ11-AB  
IEQ11-AD  
IEQ11-AC  
IEQ11-AF  
IEQ11-SA  
IEQ11-SF

IEQ11-A

FIELD MAINTENANCE PRINT SET

DIGITAL EQUIPMENT CORPORATION

PRINT SET ORDER NO.

MP-01180-01 REV 93

REVISION HISTORY

CONT. REVISION HISTORY

REV	ECO NUMBER	DATE	REV	ECO NUMBER	DATE
B	IEQ11-A-00001	3-30-84			
C	IEQ11-A-00002	5-7-84			
D	IEQ11-A-NU003	6-19-85			
E	IEQ11-A-NU004	2-28-86			
F	IEQ11-A-NU005	5-2-86			
H	IEQ11-A-NU006				
	-NU006A				
	-NU006B	6-09-87			
J	M8634-NU004	8-14-87			
K	IEQ11-A-NU007	3-26-88			

MADE BY: PAUL J. COVIELLO  
DATE: 03-JUNE-1985

CHECKED BY: P. CHARBONNEAU  
DATE: 19-JUNE-1985

PROJECT ENGR: TONY JIMENEZ  
DATE: 19-JUNE-1985

RSPBLE ENGR: TONY JIMENEZ  
DATE: 19-JUNE-1985

FIELD SERV.: D. PRATT  
DATE: 19-JUNE-1985

D I G I T A L

TITLE: FIELD MAINTENANCE PRINT SET

DUAL IEC/IEEE BUS CONTROLLER  
FOR Q-BUS

SIZE | CODE | DOCUMENT NUMBER | REV.  
B | TC | IEQ11-A-1 | K

SHEET 1 OF 1

NUO

NUO

THIS DRAWING AND THE SPECIFICATIONS CONTAINED HEREIN ARE CONFIDENTIAL AND PROPRIETARY. THEY ARE THE PROPERTY OF DIGITAL EQUIPMENT CORPORATION AND SHALL NOT BE REPRODUCED OR COPIED OR USED IN WHOLE OR IN PART AS THE BASIS FOR MANUFACTURING OR SALE OF ITEMS WITHOUT WRITTEN PERMISSION. THIS IS AN UNPUBLISHED WORK PROTECTED UNDER THE FEDERAL COPYRIGHT LAWS.

DRAWING DIRECTORY

FOR FIELD MAINTENANCE PRINT SET REFER TO 9-TC-IEQ11-A-1

UNIT VARIATIONS	
VARIATION	TITLE
IEQ11-A	DUAL IEC/IEEE BUS CONTROLLER FOR Q-BUS
IEQ11-AA	IEQ11-A + 8N11E-01 (IEC)
IEQ11-AB	IEQ11-A + 8N11F-01 (IEEE)
IEQ11-AD	IEQ11-A + 8N11K-0C (IEEE)
IEQ11-AC	IEQ11-A + 8N11J-0C (IEC)
IEQ11-AF	IEQ11-A + 8N11S-01 (IEEE)
IEQ11-SA	
IEQ11-SF	

REVISION HISTORY			USED ON OPTION/MODEL	RESPONSIBLE ENGR. : TONY JIMENEZ	DIGITAL			
ENG	ECD NUMBER	REV		DATE : 19-JUNE-1985				
--	IEQ11-A-00001	B	IEQ11-A	MADE BY : PAUL J. COVIELLO	DRAWING DIRECTORY			
--	IEQ11-A-00002	C		DATE : 03-JUNE-1985				
TJ	IEQ11-A-NU003	D		CHECKED BY : P. CHARBONNEAU	DUAL IEC/IEEE BUS CONTROLLER FOR Q-BUS			
TJ	IEQ11-A-NU004	E		DATE : 19-JUNE-1985				
TJ	IEQ11-A-NU005	F		DESIGN ENGINEER : TONY JIMENEZ	SIZE   CODE   DOCUMENT NUMBER   REV. B   DD   IEQ11-A-0   H			
MC	IEQ11-A-NU007	H		DATE : 19-JUNE-1985				
				PRODUCTION ENGR. : A. ELLIS	SHEET 1 OF 2   NU			
			DATE : 19-JUNE-1985					
			FILE NAME: IEQ11.DD					

NK

F I N D #	DRAWING NUMBER	DESCRIPTION	TYPE		DRAWING NUMBER	DESCRIPTION	TYPE
			E	D			
1	MP-01180-01 B-TC-IEQ11-A-1 K-PL-IEQ11-A-0BP K-PL-IEQ11-A-2	FIELD MAINTENANCE PRINT SET FIELD MAINTENANCE PRINT SET (PARTS LIST)IEQ11-A SHIPPING LIST	-				
2	B-DD-M8634-0-0	DRAWING DIRECTORY (COMPLETE)	-				
3	D-UA-BN11E-0-0	BN11E-0 CABLE ASSY	E				
4	D-UA-BN11F-0-0	BN11F-0 CABLE ASSY	E				
5	D-AD-BN11K-0-0	BN11K-0 CABLE ASSY	E				
5	B-DD-BN11J	SHIELDED CABLE M856 TO IEC625 W/BLKHD	-				
7	D-UA-BN11S-0-0	BN11S-0 CABLE ASSY	E				
8	D-UA-1701988-0-0	LOOPBACK CABLE DRAWING FOR M8634-PA VARIATION					
9	K-PL-1701988-01	LOOPBACK CABLE FOR M8634-PA VARIATIONS					

TYPE: E ELECTRICAL M MECHANICAL E/M ELECTRO/MECHANICAL	d   1   9   1   t   a   1	TITLE	DRAWING DIRECTORY	SIZE	CODE	DOCUMENT NUMBER	REV.
		DUAL IEC/IEEE BUS CONTROLLER FOR Q-BUS		B	DD	IEQ11-A-0	M
				SHEET 2 OF 2			NU

NCC

LINE ITEM	TOP DOCUMENT	PART NUMBER	MIN REV	DESCRIPTION	QUANTITY PER VARIATION/REVISION						
					A A2	AA A2	AB A2	AC A2	AD A2	AF A2	GE A1
1	1	M8634-00		Q-BUS INTERFACE TO IEEE488/IEC625	1	1	1	1	1	1	1
2	2	BC08S-01		12" SHIELDED I/O CABLE,H856 EA END	1	1	1	1	1	1	1
3	3	BN11E-01		IEQ/IEC 625 1 MTR CONN CABLE	-	1	-	-	-	-	-
4	4	BN11F-01		IEQ/IEEE 488 CABLE,1 METER,LSI11 B	-	-	1	-	-	-	-
5	5	BN11K-0C		SHLDED INSTR BUS CBL IEEE 488 TO B	-	-	-	-	1	-	-
6	6	BN11J-0C		SHLDED INSTR BUS CBL IEC 625 TO B	-	-	-	1	-	-	-
7	7	BN11S-01		SHLDED INS BUS CAB,IEEE 488 TO BER	-	-	-	-	-	1	1
8	8	70-20161-01		CABLE KIT	-	-	-	-	-	-	1
9	9	QZ519-DZ		IEQ DRVR LIC ONLY	-	-	-	-	-	-	1

REVISION HISTORY			KPL MATRIX FORMAT		SECTION A OF A		DRN: PAUL J COVIELLO		D I G I T A L			
ENG	ECO NUMBER	REV	SECTION/VARIATION INDEX		DATE: 06-JUN-85		CHK'D: P. CHARBONNEAU		TITLE PARTS LIST			
---	INITIAL	B	[A]	A ,AA,AB,AC,AD,AF,GE	DATE: 06-JUN-85		DATE: 06-JUN-85		DUAL IEC/IEEE BUS CONTROLLER FOR Q-BUS			
TJ	IEQ11-A-NU003	C	[B]		DATE: 06-JUN-85		DES.ENG: T. JIMENEZ'		DOCUMENT NUMBER			
TJ	IEQ11-A-NU004	D	[C]		DATE: 06-JUN-85		RESP.ENG.: T. JIMENEZ		SIZE	CODE	NUMBER	REV
TJ	IEQ11-A-NU005	E	[D]		DATE: 06-JUN-85		DATE: 06-JUN-85		K	PL	IEQ11-A-DBP	H
MC	IEQ11-A-NU007	F	[E]		DATE: 06-JUN-85		MFG.ENG: A. ELLIS		RELEASE DATE: 12-MAY-89			
JL	IEQ11-A-NU008	H	[F]		DATE: 06-JUN-85		DATE: 06-JUN-85		RELEASE STATUS: RELEASED			
			[H]		BASIC PART NUMBER: IEQ11		ASSEMBLY NUMBER: K-PL-IEQ11-A-DBP		TOP DOCUMENT NUMBER: K-PL-IEQ11-A-DBP		EDIT # 2	
			[J]		FILE NAME: IEQ11AH.PLS							

"THIS DRAWING AND THE SPECIFICATIONS CONTAINED HEREIN ARE CONFIDENTIAL AND PROPRIETARY. THEY ARE THE PROPERTY OF DIGITAL EQUIPMENT CORPORATION AND SHALL NOT BE REPRODUCED OR COPIED OR USED IN WHOLE OR IN PART AS THE BASIS FOR THE MANUFACTURE OR SALE OF ITEMS WITHOUT WRITTEN PERMISSION. THIS IS AN UNPUBLISHED WORK PROTECTED UNDER THE FEDERAL COPYRIGHT LAWS."

THIS DRAWING IS UNCONTROLLED UNLESS INDICATED OTHERWISE. IT IS THE PROPERTY OF AIRTECH CORPORATION. IT IS NOT TO BE REPRODUCED OR TRANSMITTED IN ANY FORM OR BY ANY MEANS, ELECTRONIC OR MECHANICAL, INCLUDING PHOTOCOPYING, RECORDING, OR BY ANY INFORMATION STORAGE AND RETRIEVAL SYSTEM.

NOTES (CONT):

- 6. MS634-001 COMMON COMPONENT LEVEL BUILD, NO HANDED OR CONNECTORS (J1 & J2) INSTALLED.
- 7. MS634-001 0-BOX VERSION, ASSEMBLE ALL ITEMS ON SHEETS 2 & 3.

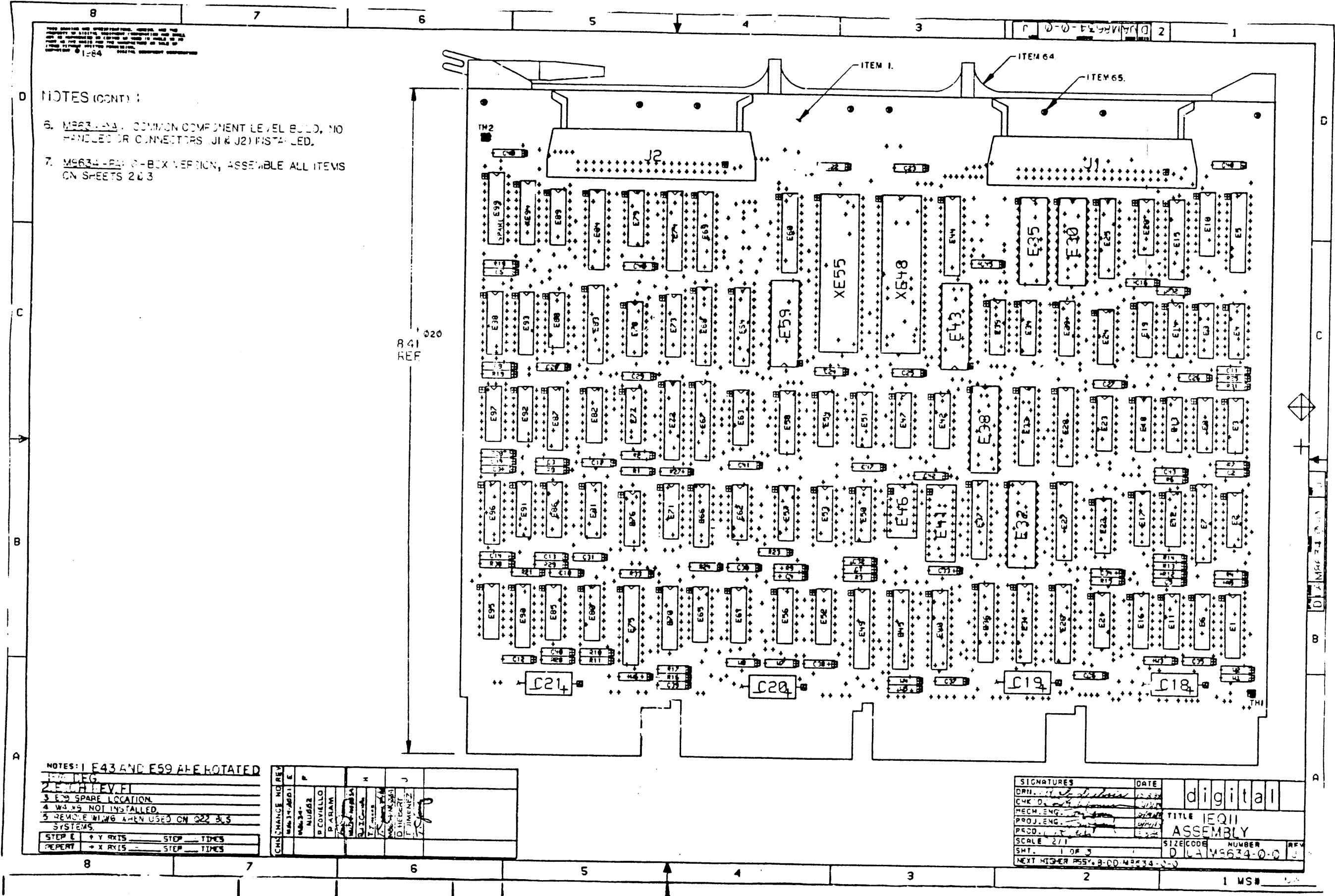
B 41 REF  
Q20

NOTES: 1. E43 AND E59 ARE ROTATED  
2. E43 LEG  
3. E32 SPARE LOCATION  
4. W3 & 5 NOT INSTALLED  
5. REMOVE W1 & 6 WHEN USED ON Q22 & 3 SYSTEMS

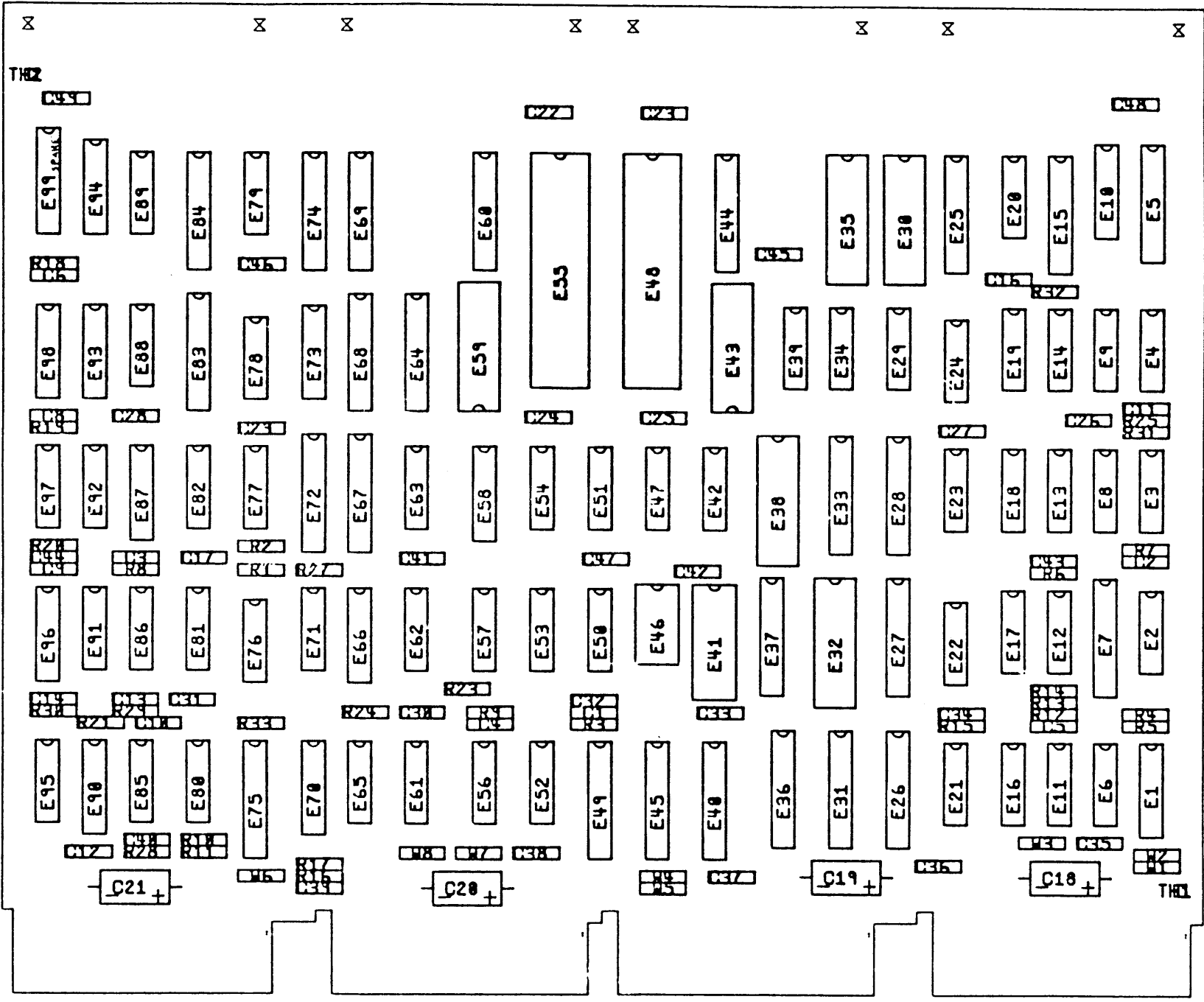
STEP	→ Y AXIS	STEP	TIMES
REPEAT	→ X AXIS	STEP	TIMES

CHANGE NO	REV	DATE	BY	CHK
001	E			
002	F			
003	G			
004	H			
005	I			
006	J			

SIGNATURES		DATE	digital
DRN. [Signature]	[Signature]	12-8-88	
CHK. [Signature]	[Signature]	12/8/88	TITLE IEQUI ASSEMBLY
MECH. ENG. [Signature]	[Signature]	12/8/88	
PROJ. ENG. [Signature]	[Signature]	12/8/88	
SCALE 2/1	SHEET 1 OF 3	SIZE CODE	NUMBER
NEXT HIGHER ASSY. B-00-MS634-0-0		DILA MS634-0-0	



THIS DOCUMENT IS UNCLASSIFIED EXCEPT FOR THE INFORMATION CONTAINED HEREIN WHICH IS CLASSIFIED AS SECRET OR CONFIDENTIAL IN ACCORDANCE WITH E.O. 13526, 13526-1, AND 13526-2. DATE OF DECLASSIFICATION IS UNLIMITED.



M8634-1YA

REVISION HISTORY

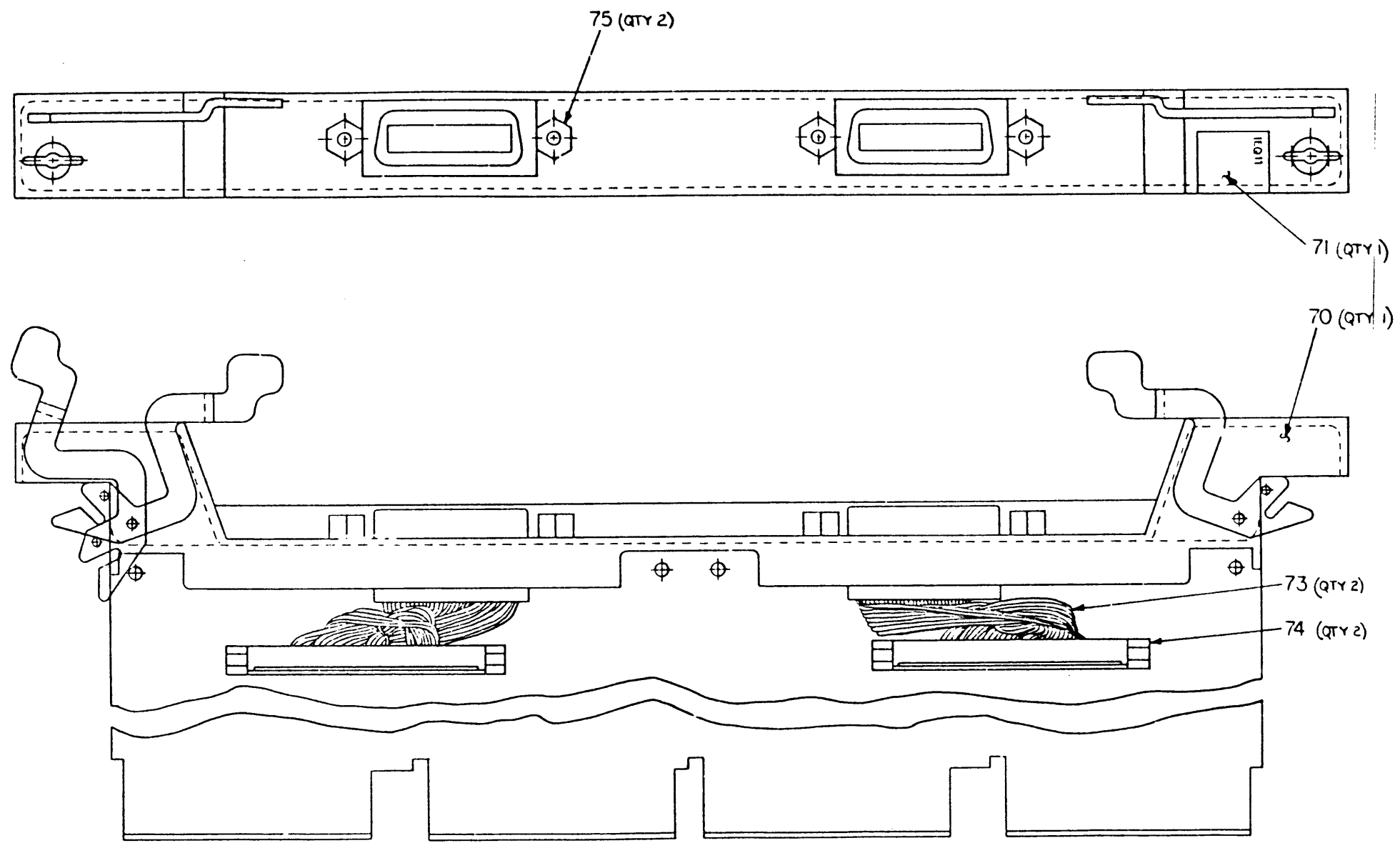
REV	ECO NUMBER	DATE

IEQ11 ASSEMBLY

DOCUMENT NUMBER	
DUA M8634-0-0	J
2/1	2 3

8 6 5 4 3 2 1

THIS DRAWING AND SPECIFICATIONS HEREIN ARE THE PROPERTY OF DIGITAL EQUIPMENT CORPORATION AND SHALL NOT BE REPRODUCED OR CLONED IN WHOLE OR IN PART AS THE BASIS FOR THE MANUFACTURE OR SALE OF ITEMS WITHOUT WRITTEN PERMISSION  
 COMPANY: DIGITAL EQUIPMENT CORPORATION



M8634 - PA BULKHEAD ASSY.  
 (REFERENCE SHEET 2 FOR COMPONENT LEVEL)

REVISION HISTORY		
REV	ECO NUMBER	DATE

DOCUMENT NUMBER		
REV	DOC NO	NUMBER
J	DUA	M8634-0-0

TITLE: IEQ ASSEMBLY

SCALE: 2/1	SHEET: 3	TOTAL: 3
------------	----------	----------

8 7 6 5 4 3 2 1

DRAWING NO.	NO. OF SHTS	PART NO.	DESCRIPTION	REVISIONS
D-UA-M8634-0-0	3	M8634	IEQ11 BOARD	C E F F F F1 F2 H1
A1-CS-M8634-0-1	11		IEQ11 BOARD	C E F F H J J --
K-PL-M8634-0-DBP	3		IEQ11 BOARD	C E E F H H H --
K-PC-5015726-0-DBJ	--		IEQ11 BOARD	C C C D E F H --
			PC DESIGN DATA BASE	C E F H H H H J
B-DD-5015726-0-0	1	5015726-01	ETCHED CIRCUIT BOARD	C E F F F F F H2
			DRAWING DIRECTORY	-- -- A A A A A --
		M8634-PA	IEQ11 BOARD W/S BOX HANDLE	-- -- -- -- -- A1 A2 B1
		M8634-YA	IEQ11 BOARD W/NO HANDLE	-- -- -- -- -- A1 A2 B1
D-UA-M8634-1-1	3		IEQ11 BOARD	-- -- -- -- -- A
B-CS-M8634-1-1	16		IEQ11 BOARD	-- -- -- -- -- A
K-PL-M8634-1-DBP	3		IEQ11 BOARD	-- -- -- -- -- A
K-CS-M8634-1-DBX	--		SCALD DATA BASE	-- -- -- -- -- A
B-DD-5015726-1-0	1		DRAWING DIRECTORY	-- -- -- -- -- A

NOTES:

	R	E	C	D	E	F	H	J	K	L										
	V																			
R H	E	I	M	M	I	M	M	M	M											
E I	C	N	80	8N	E	8N	8N	8N	8M											
V S	O	I	60	6U	QN	6U	6U	6U	6K											
I T	N	I	30	30	1U	30	30	30	31											
S O	O	A	40	40	10	40	40	40	40											
I R		L	-1	-2	-0	-3	-4	-5	-6											
O Y					A3															
N			1	3	1	6	2	3	1	1										
	D		2	/	1	/	/	/	0	0										
	A		/	8	/	8	8	8	/	/										
	T		8	4	8	5	6	7	8	9										
	E		2		4				7	1										

THIS DRAWING AND THE SPECIFICATIONS CONTAINED HEREIN ARE CONFIDENTIAL AND PROPRIETARY. THEY ARE THE PROPERTY OF DIGITAL EQUIPMENT CORPORATION AND SHALL NOT BE REPRODUCED OR COPIED OR USED IN WHOLE OR IN PART AS THE BASIS FOR THE MANUFACTURE OR SALE OF ITEMS WITHOUT WRITTEN PERMISSION. THIS IS AN UNPUBLISHED WORK PROTECTED UNDER THE FEDERAL COPYRIGHT LAWS.	DRN:	J.WOLVE	DATE:	12-27-82	d i g i t a l			
	CHK'D:	J.WOLVE	DATE:	12-27-82	DRAWING DIRECTORY			
	DES.ENG.:	J.WOLVE	DATE:	3-24-84	IEQ11 BOARD			
	RESP.ENG.:	J.WOLVE	DATE:	3-24-84	SHEET 1 OF 1			
FILE NAME: M8634DDL.LST	MFG.ENG.:	J.WOLVE	DATE:	3-24-84	SIZE	CODE	NUMBER	REV
					B	DD	M8634-0-0	L



LINE	ITEM	TOP DOCUMENT	PART NUMBER	MIN REV	DESCRIPTION	QTY PER VAR/REV			REFERENCE DESIGNATORS	
						00	PA	YA		
						F2	A2	A2		
1	1		50-15726-01		CIRCUIT DRILL AND ETCH	1	1	1		
2	2		19-12799-00		LS00 NAND-GATE-QUAD 2IN,P	4	4	4	E23,E42,E51,E31	
3	3		19-12801-00		LS02 NOR-GATE-QUAD 2IN	6	6	5	E20,E47,E52,E77,E90,E91	
4	4		19-09686-00		7404 INVERTER GATE-HEX II	1	1	1	E11	
5	5		19-12903-00		LS04 INVERTER GATE,HEX	5	5	5	E9,E17,E63,E65,E85,E89	
6	6		19-10155-00	DEC	7408 AND GATE,POS,QUAD 2I	1	1	1	E3	
7	7		19-12905-00		LS08 AND GATE-QUAD 2IN,PO	6	6	5	E18,E29,E50,E53,E76,E86	
8	8		19-14383-00		74S09N AND-GATE-QUAD 2IN,PJT	1	1	1	E16	
9	9		19-12807-00		LS10 NAND GATE-TRIPLE 3IN	1	1	1	E4	
10	10		19-12809-00		LS11 AND GATE-TRIPLE 3IN	1	1	1	E12	
11	11		19-12810-00		LS20 NAND GATE-DUAL 4IN	1	1	1	E71	
12	12		19-12813-00		LS27 NOR GATE-TRIPLE 3IN	1	1	1	E39	
13	13		19-12816-00		LS32 OR GATE-QUAD 2IN,POS	9	9	9	E14,E22,E24,E52,E54,E56,E57,	
14	14		19-12824-00		LS74 FF-D DUAL,EDGE TRIGG	9	9	9	CONT E78,E97	
15	15		19-12837-00		LS123 ONE SHOT-DUAL,RETRIG	3	3	3	CONT E92,E95	
16	16		19-12838-00		LS132 NAND GATE-QUAD 2IN P	1	1	1	E90,E96,E98	
17	17		19-12842-00		LS138 DECODER-THREE INPUT,	1	1	1	E3	
18	18		19-12697-00		LS174 FF-D HEX W/CLEAR	1	1	1	E73	
19	19		19-15193-00		LS244 DRIVER,LINE,OCTAL,TR	3	3	3	E93	
20	20		19-15218-00		LS245 TRANSCEIVER,BUS,OCTA	1	1	1	E5,E25,E37	
21	21		19-12547-00		LS257 MUX 1 OF 2 (QUAD)	3	3	3	E26	
22	22		19-12864-00		LS279 LATCH,QUAD-S-R	1	1	1	E66,E70,E97	
23	23		19-14214-00		LS374 FF-D OCTAL EDGE TRIG	4	4	4	E58	
24	24		19-18128-00		75160 BUS TRANS.,OCTAL IEE	2	2	2	E64,E68,E33,E94	
25	25		19-18434-00		75162 TRANSCEIVER,BUS IEE	2	2	2	E44,E50	
26	26		19-12730-00	DC	003 INTERRUPT,2 CIRCUIT	1	1	1	E43,E59	
27	27		12-15006-08	SKT,IC	40PIN DIP TIN SOLDER	2	2	2	E75	
28	28		19-12729-00	DC	004 PROTOCOL,REG. SELECT	1	1	1	XE49,XE55	
29	29		19-13040-00	DC	005 TRANSCEIVER 4BIT	4	4	4	E49	
30	30		19-14035-00	DC	006 BIPOLAR,BUS ADDRESS	7	7	7	E31,E36,E40,E45	
									E15,E27,E28,E67,E69,E72,E74	

REVISION HISTORY			KPL MODULE FORMAT		SECTION A OF A1DRN:		PAUL J COVIELLO	
ENG	ECO NUMBER	REV	SECTION/VARIATION INDEX		DATE: 03-JUN-85		DIGITAL	
---	INITIAL	IC	[CA]	00,PA,YA	[C]	CHK'D:	P. CHARBONNEAU	TITLE PARTS LIST
!TJ	!IEQ11-A-NU003	!D	!C3		[N]	!DATE:	03-JUN-85	!IEQ11 MODULE
!TJ	!M3634-NU003	!E	!C0		[P]	!DES.ENG:	T. JIMENEZ	
!TJ	!M3634-NU004	!F	!C0		[Q]	!DATE:	14-JUN-85	!DOCUMENT NUMBER
!ST	!M3634-NU005	!M	!C0		[R]	!RESP.ENG.:	T. JIMENEZ	!SIZE CODE  NUMBER   REV
!	!	!	!C0		[S]	!DATE:	14-JUN-85	!K   PL   M8634-0-DBP   H
!	!	!	!C0		[T]	!MFG.ENG.:	A. ELLIS	!RELEASE DATE: 20-OCT-87
!	!	!	!C0		[U]	!DATE:	14-JUN-85	!RELEASE STATUS: RELEASED
!	!	!	!		[V]			
!	!	!	!CL		[Y]			
!	!	!	!			!BASIC PART NUMBER:	!ASSEMBLY NUMBER:	!TOP DOCUMENT NUMBER:
!	!	!	!			M8634	ID-UA-M8634-0-0	!B-DD-M8634-0-0
!	!	!	!					!FILE NAME: !EDIT #
!	!	!	!					!NUM8634H.PLS   1

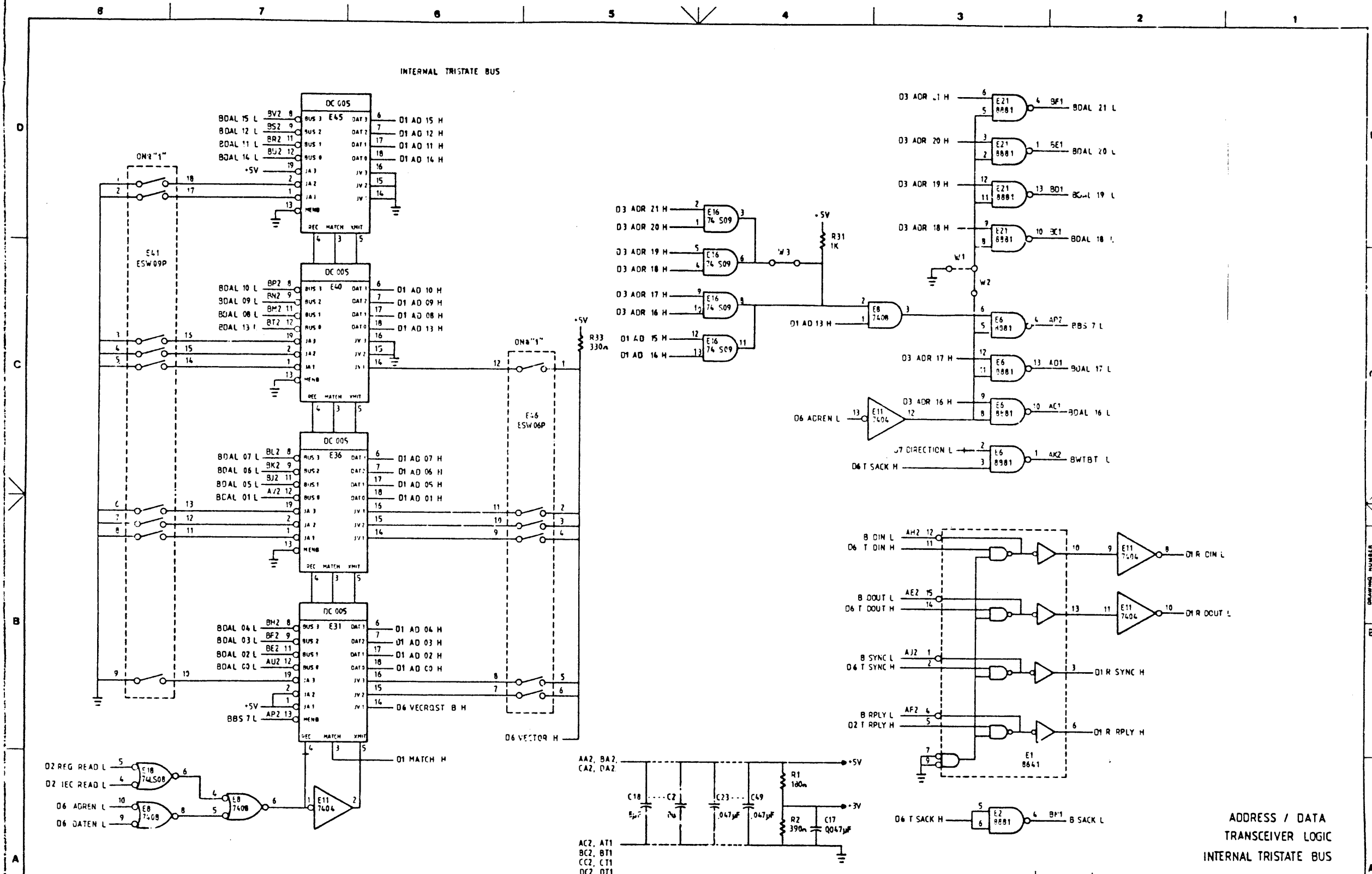
"THIS DRAWING AND THE SPECIFICATIONS CONTAINED HEREIN ARE CONFIDENTIAL AND PROPRIETARY. THEY ARE THE PROPERTY OF DIGITAL EQUIPMENT CORPORATION AND SHALL NOT BE REPRODUCED OR COPIED OR USED IN WHOLE OR IN PART AS THE BASIS FOR THE MANUFACTURE OR SALE OF ITEMS WITHOUT WRITTEN PERMISSION. THIS IS AN UNPUBLISHED WORK PROTECTED UNDER THE FEDERAL COPYRIGHT LAWS."

NU

LINE	ITEM	TOP DOCUMENT	PART NUMBER	MIN REV	DESCRIPTION	QTY	PER	VAR/REV	REFERENCE DESIGNATORS
						00	PA	YA	
						F2	A2	A2	
31	31		19-14038-00	00	010 81PCLAR, MEM ADDRESS, L	1	1	1	E7
32	32		19-19189-00		LS698 COMPARTOR, 8-BIT 81P	1	1	1	E33
33	33		19-21146-01		2920 REGISTER 8-BIT	4	4	4	E30, E32, E35, E38
34	34		23-647A2-00	A2-05		1	1	1	E34
35	35		19-21252-01		9137 BUS COMPARTOR, UNIFI	1	1	1	E10
36	36		19-14987-00		8641-2 TRANSCEIVER, UNIBUS,	1	1	1	E1
37	37		19-09705-00	DEC	8991 NAND GATE-QUAD 2IN 0	3	3	3	E2, E6, E21
38	38		21-19210-00		9914 BUS INTERFACE, IEEE 4	2	2	2	E48, E55
39	39		12-11164-05		SW, DIP 09POS/1PST 5VDC100MA F	1	1	1	E41
40	40		12-11164-02		SW, DIP 06POS/1PST 5VDC100MA F	1	1	1	E46
41	41		12-09941-02		PCB, HEADER 40PIN(2X20).100CC 900	2	-	-	
42	42		12-09941-03		PCB, HEADER LATCH	2	-	-	
43	43		12-09941-04		PCB, HEADER LATCH	2	-	-	
44	44		10-13466-25		68 PFD 50V +/- 5% NPO C	3	3	3	C9, C13, C14
45	45		10-13466-04		33 PFD 50V +/- 5% NPO C	1	1	1	C3
46	46		10-13466-17		150 PFD 50V +/- 5% NPO C	1	1	1	C12
47	47		10-13466-07		220 PFD 50V +/- 5% NPO C	2	2	2	C2, C10
48	48		10-13466-19		470 PFD 50V +/- 5% NPO C	1	1	1	C1
49	49		10-13466-08		690 PFD 50V +/- 10% X7R C	3	3	3	C3, C4, C16
50	50		10-12784-00		0.047MFD 50V +80/-20% Z5U C	29	29	29	C17, C12-C49
51	51		10-13466-09		1000 PFD 50V +/- 10% X7R C	2	2	2	C5, C6
52	52		10-13466-18		330 PFD 50V +/- 5% NPO C	1	1	1	C11
53	53		10-12084-01		3.0 MFD 25V +75/-10% ALU	4	4	4	C18-C21
54	54		12-15006-02		SKT, IC 16PIN DIP TIN SOLD	1	1	1	XE94
55	55		13-00247-00		120.0 .25 W 5.0 % CF	4	4	4	R3, R9, R21, P32
56	56		13-01322-00		180.0 .25 W 5.0 % CF	1	1	1	R1
57	57		13-01772-00		270.0 .25 W 5.0 % CF	1	1	1	R7
58	58		13-00295-00		330.0 .25 W 5.0 % CF	8	8	8	R4, R6, R10, R13, R15, R16, R25, R33
59	59		13-01424-00		690.0 .25 W 5.0 % CF	5	5	5	R5, R11, R14, R17, R23
60	60		13-00309-00		390.0 .25 W 5.0 % CF	1	1	1	R2
61	61		13-00365-00		1.0 K .25 W 5.0 % CF	3	3	3	R3, R12, R31
62	62		13-03179-00		8.20 K .25 W 5.0 % CF	2	2	2	R24, R27
63	63		90-09185-00		JUMPER, WIRE, INSULATED, BLACK B	6	6	6	W1-W3, W5-W8
64	64		12-13113-01		HANDLE, MODULE,	1	-	-	
65	65		90-00024-01		EYELET, ROLLED 0.1210DX0.192	8	4	-	
66	66		13-12930-00		5.10 K .25 W 5.0 % CF	2	2	2	R19, R28
67	67		13-01423-00		5.80 K .25 W 5.0 % CF	2	2	2	R29, R30
68	68		13-00479-00		10.0 K .25 W 5.0 % CF	1	1	1	R20
69	69		13-05346-00		27.0 K .25 W 5.0 % CF	1	1	1	R18
70	70		70-23741-13		BULKHEAD, RECESSE ASSY (IEQ11-S4)	-	1	-	
71	71		35-26383-40		LABEL, MODULE NUMBER M8634-	-	1	-	
72	72	SEE NOTE 1	37-00931-01		PKG MODULE 1 IN. HEIGHT CUS	-	1	-	
73	73		70-24783-01		M8634-PA INTERCONNECT CABLE	-	2	-	
74	74		12-14386-01		PCB, HEADER 40POS(2X40).100CC	-	2	-	
75	75		12-28801-01		SCREW LOCK ASSY, METRIC RCPT, 6-32	-	2	-	
76	76		35-21711-03		LABEL, BAR CODE .380 X 1.50	1	1	1	
77	77		12-20307-02		JAG, ANTI-STATIC 10"X12"	1	1	1	

TITLE				SECTION A OF A				SIZE CODE				DOCUMENT NUMBER				REV			
IEQ11 MODULE												M8634-0-DBP				M			

NU

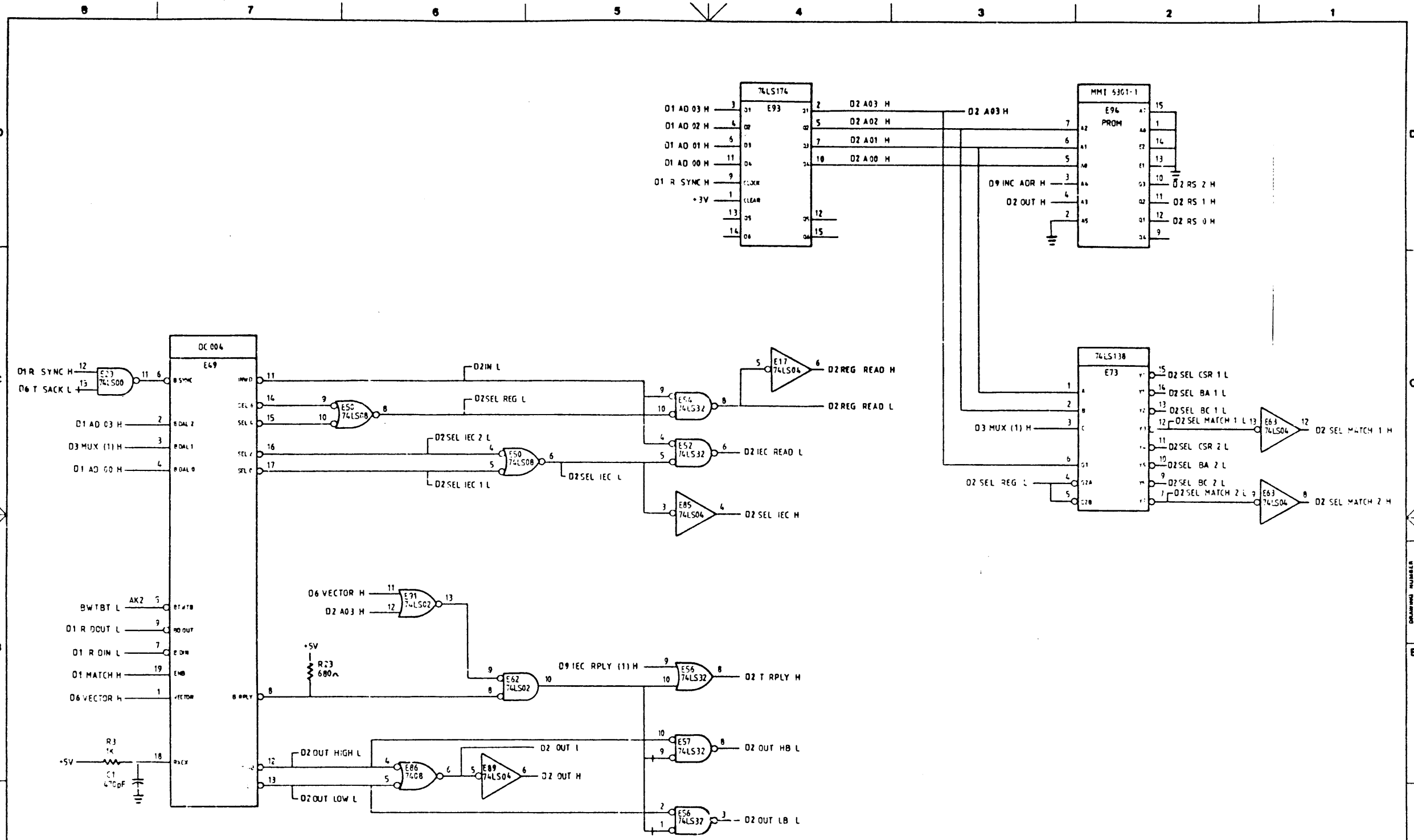


REV	DATE	CHANGE
H	28.12.85	MR634-00000
F	23.08.85	ISCHIA NU003
E	27.03.84	MR634-00001

MATERIAL	UNLESS OTHERWISE STATED ALL DIMENSIONS IN MILLIMETRES TO 1 PLACE	THIRD ANGLE PROJECTION	QUANTITY	DESCRIPTION	DRG./PART NO.	ITEM
7-115H	ONE DECIMAL PLACE 19.4 and TWO DECIMAL PLACES 0.25mm		FIRST USED ON B-DD-M8634-0-0	EQUIPMENT GMBH. MUNICH, GERMANY		
	THREE DECIMAL PLACES 0.1mm		CHECKED			
	ALL THREADS TO U.S. STANDARD FOR SYMBOLS ETC. SEE SLS 300		ENGINEER			
			PPC J. & H.			
			P. OIL			

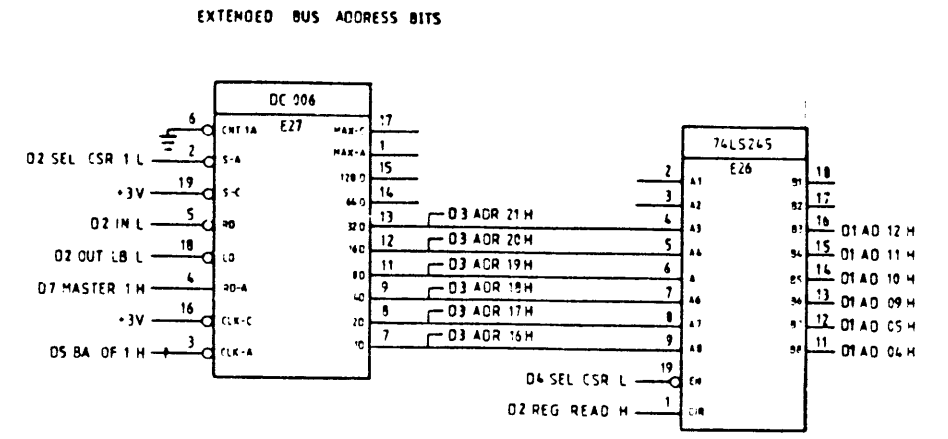
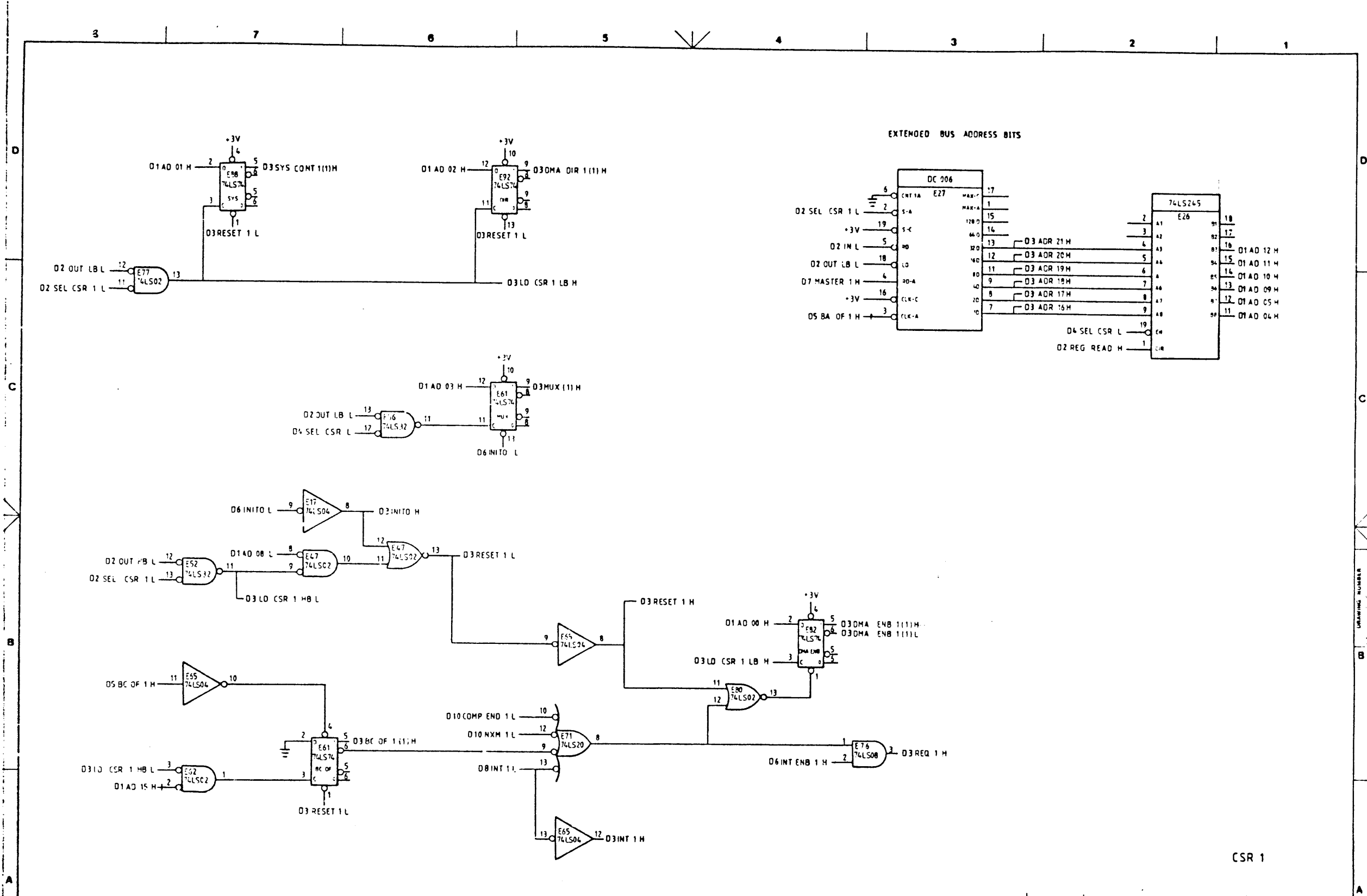
SCALE	DO NOT SCALE DRAWING	REMOVE ALL BURRS AND SHARP EDGES	DRG. NO.	HC B	6-52	TITLE	REV	BY	CHKD
						IEQ 11			

DRAWING NUMBER  
M8634-0-0

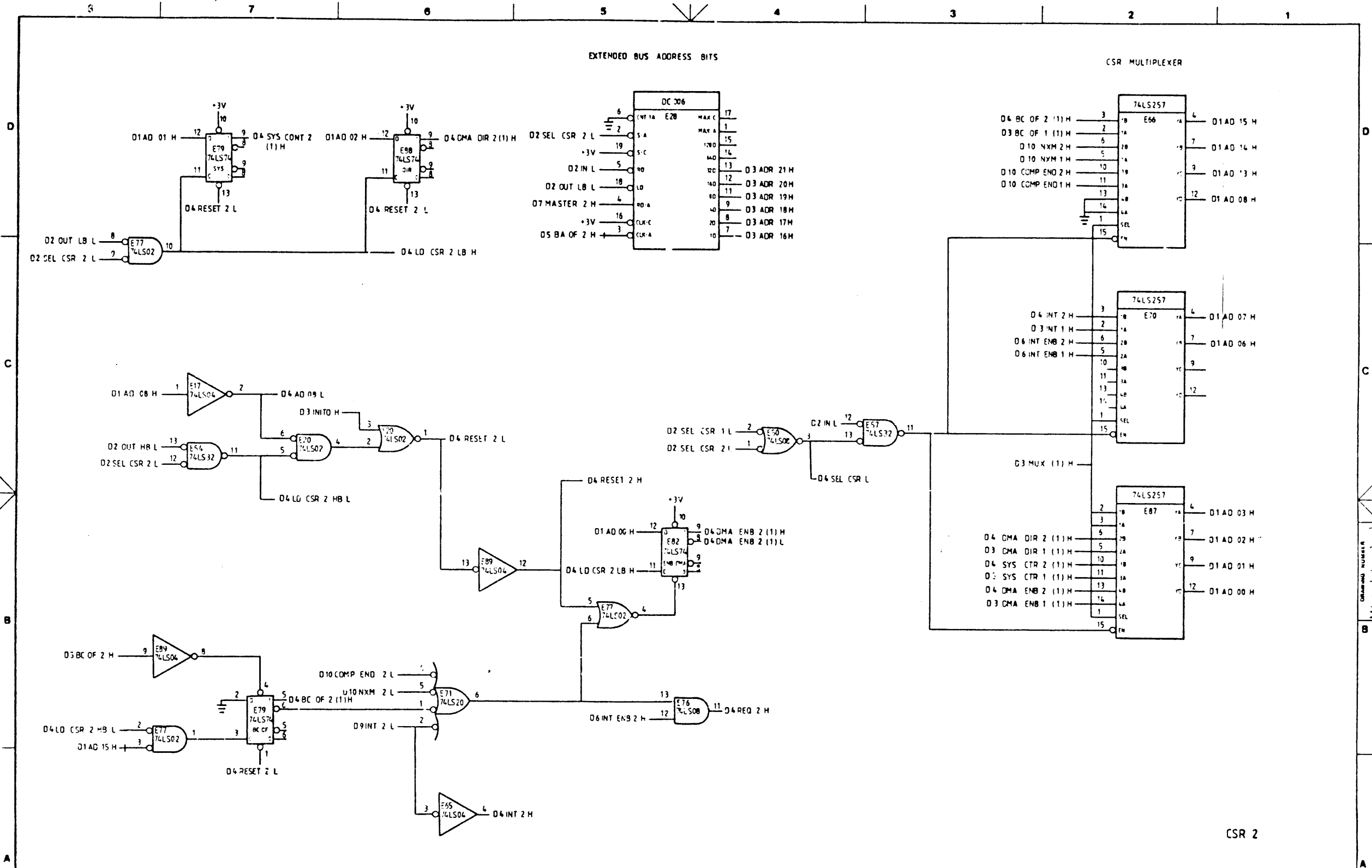


PROTOCOL LOGIC

REV	DATE	CHANGE	MATERIAL	FINISH	THIRD ANGLE PROJECTION	QUANTITY	DESCRIPTION	DRG. / PART No.	ITEM
					THIRD ANGLE PROJECTION	FIRST USED ON 8-00 M8634-2-0	<b>digital</b> EQUIPMENT GMBH. MUNICH, GERMANY.		
					REMOVE ALL DIMS AND SHARP EDGES	ENGINEER	IEQ 11		D2
					DO NOT SCALE DRAWING	PROJ ENGR	REV CODE A1CS	DRAWING NUMBER 19-34-3-1	REV. INT. NO. 211



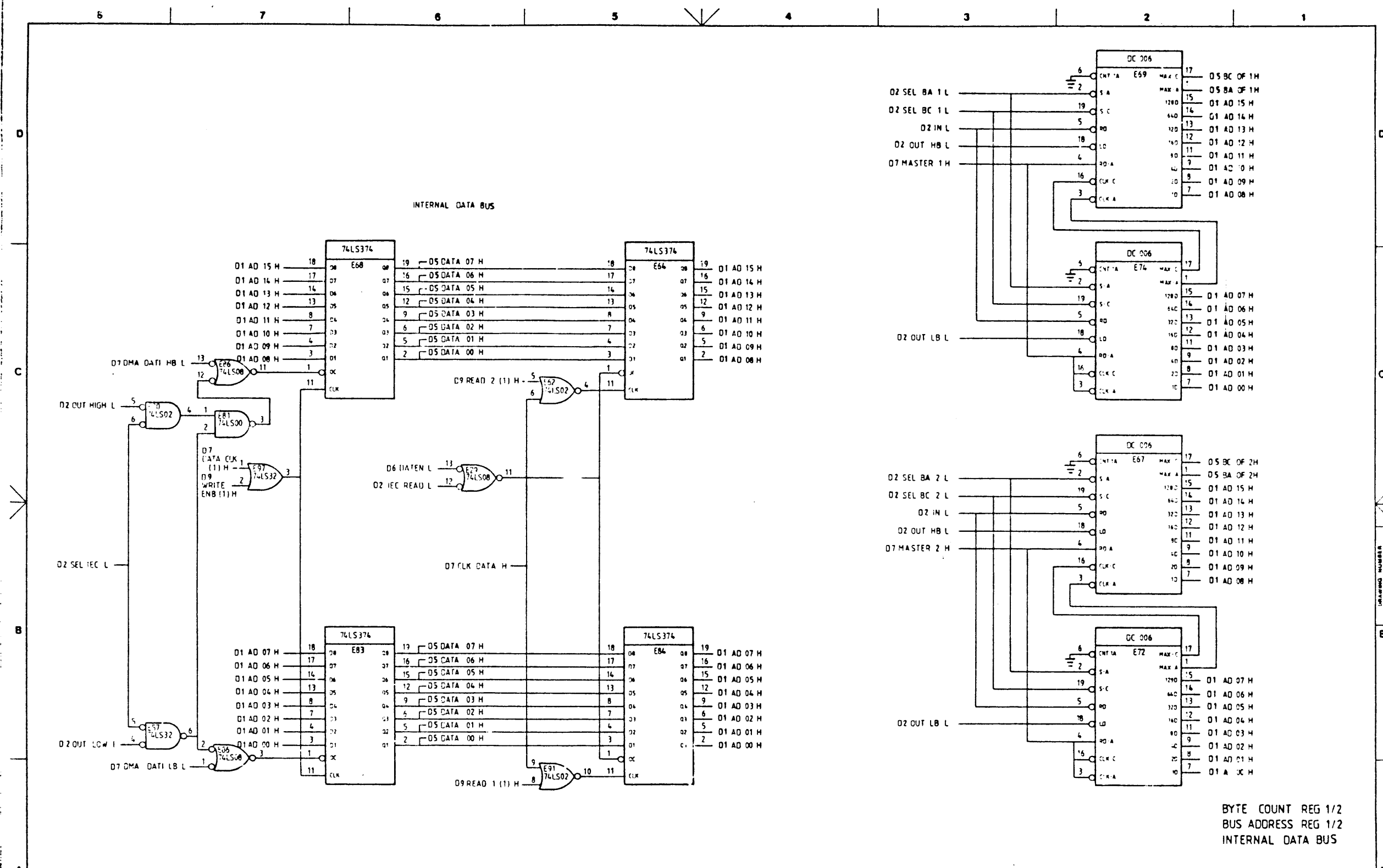
REV.	DATE	CHANGE	MATERIAL	UNLESS OTHERWISE STATED ALL DIMENSIONS IN MILLIMETRES TOLERANCES: DIMENSIONAL PRACTICE HOLE DIM. PLACES THREE DECIMAL PLACES ANGLES 10° 30' ALL THREADS TO B.S. 3445 (M10) FOR SYMBOLS ETC. SEE B.S. 3445	THIRD ANGLE PROJECTION	QUANTITY	DESCRIPTION	DRG. PART No.	ITER
			FINISH			FIRST USED ON B-00-48634-0-0	<b>digital</b> EQUIPMENT GMBH. MUNICH, GERMANY.		
							IEQ 11		03
							SIZE CODE	DRAWING NUMBER	REV. INT.
							A1CSW9334-0-1		3/11



REV		DATE	CHANGE	MATERIAL		UNLESS OTHERWISE STATED ALL DIMENSIONS IN MILLIMETRES TOLERANCES:		THIRD ANGLE PROJECTION		QUANTITY	DESCRIPTION	ORG / PART No	ITEM
				FINISH		ONE DECIMAL PLACE 0.2 - 0.5 TWO DECIMAL PLACES 0.1 - 0.2 THREE DECIMAL PLACES 0.1 - 0.2		 REMOVE ALL CHAMFER AND SHARP EDGES		B:DC-M8634 2-3			
				<small>This drawing and specifications, herein, are the property of Digital Equipment Co. Limited and shall not be reproduced or used in whole or in part in the design of any other machine or apparatus without written permission.</small>		<small>ANGLES 90°, 30° ALL THREADS TO B.S. 8468 UNLESS OTHERWISE SPECIFIED FOR SYMBOLS ETC. SEE B.S. 308</small>		CHECKED ENGINEER PROJ. ENG PROC.				IEQ 11	04
				SCALE		DO NOT SCALE DRAWING		SIZE CODE A 1 CS 13034-2		DRAWING NUMBER		REV	
				8		7		6		5		4	

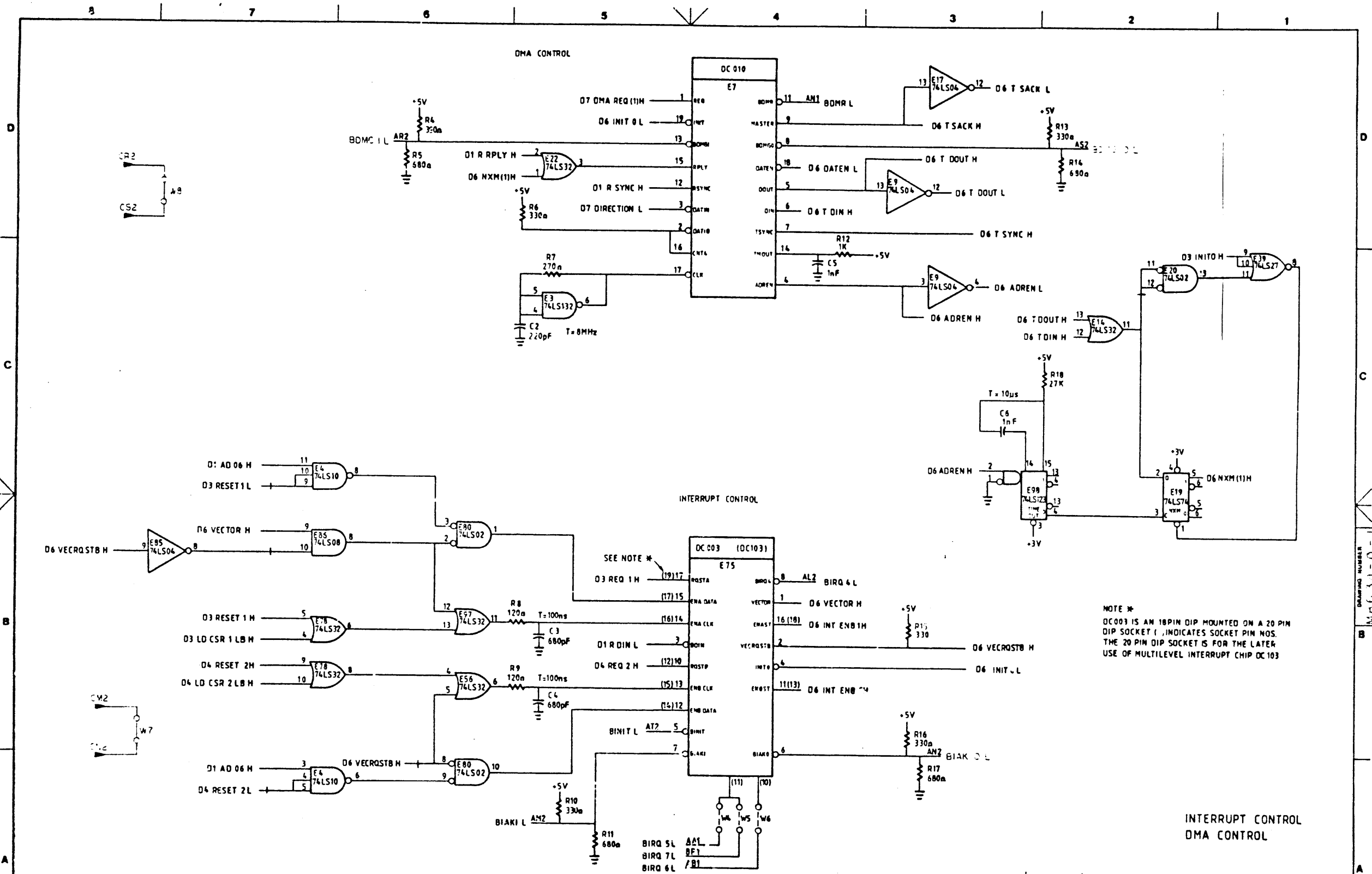
DRAWING NUMBER  
M8634-2-3

CSR 2



BYTE COUNT REG 1/2  
 BUS ADDRESS REG 1/2  
 INTERNAL DATA BUS

REV	DATE	CHANGE	MATERIAL	FINISH	UNLESS OTHERWISE STATED ALL DIMENSIONS IN MILLIMETERS TOLERANCES: FRACTIONAL OR SIZE DECIMAL PLACES THREE DECIMAL PLACES ANGLES ALL THREADS TO B.S. 2449 Q/100 FOR SYMBOLS ETC. SEE B.S. 338	THIRD ANGLE PROJECTION	QUANTITY	DESCRIPTION	DRG / PART No.	ITEM
							1	B-DC-M 8634-0-0	digital EQUIPMENT GMBH MUNICH GERMANY.	03
							CHECKED	ENGINEER	IEQ 11	
							DO NOT SCALE DRAWING	PROJ. ENG.	SIZE CODE	03
							SCALE	PROG.	DRAWING NUMBER	REV. INT. D.T.
									A1 CS 11333-0-1 H	5/11

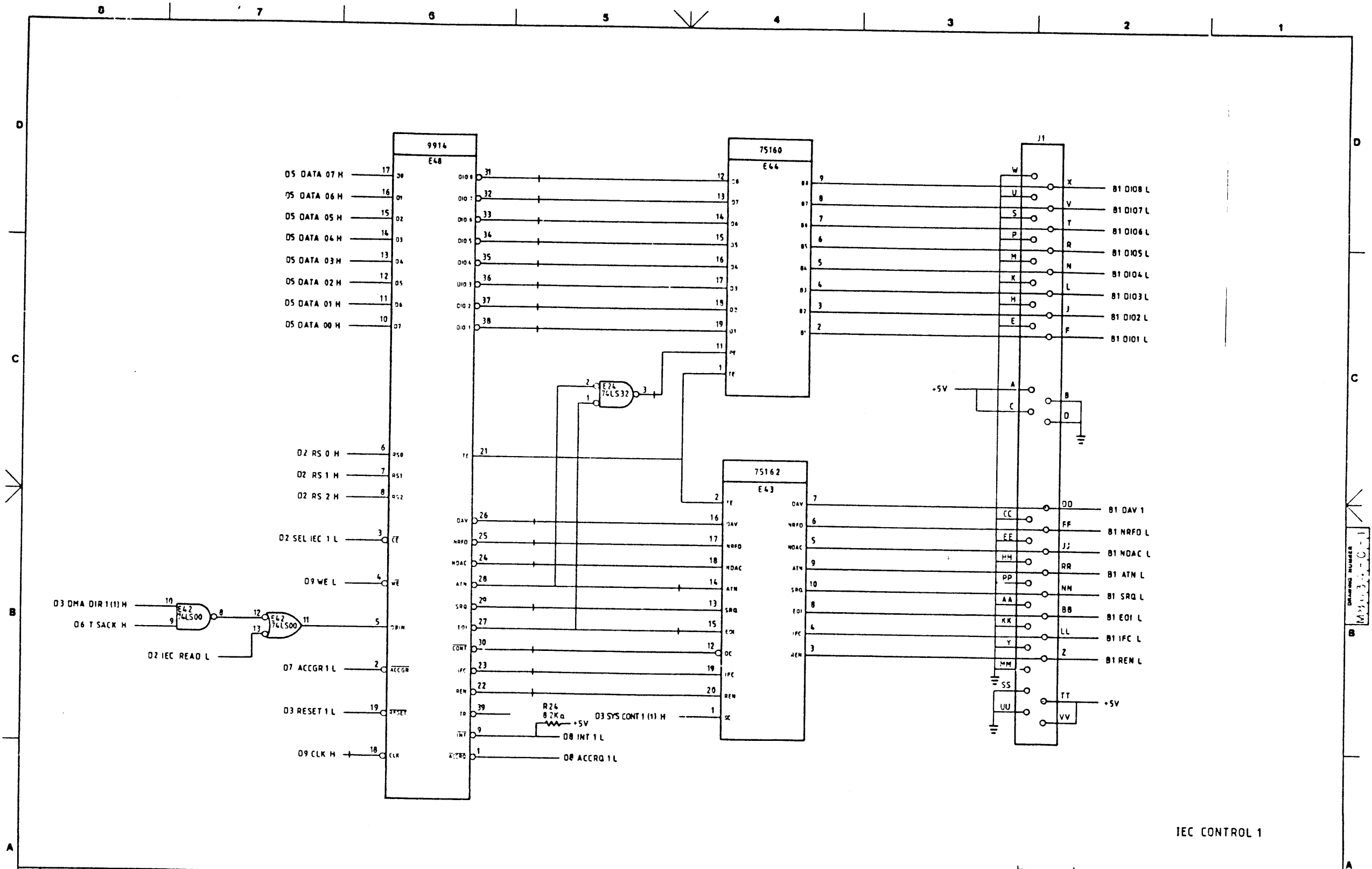


REV	DATE	CHANGE	MATERIAL	UNLESS OTHERWISE STATED ALL DIMENSIONS IN MILLIMETERS TOLERANCE ONE DECIMAL PLACE 0.4 mm THREE DECIMAL PLACES 0.1 mm 30° ALL THREADS TO U.S. STANDARD UNLESS OTHERWISE SPECIFIED	THIRD ANGLE PROJECTION	QUANTITY	DESCRIPTION	DRG./PART NO.	ITEM
						FIRST USED ON	<b>digital</b> EQUIPMENT GMBH. MUNICH, GERMANY.		
						B-00-M 8434-0-0			
						CHECKED			
						ENGINEER			
						PROL. ENG.			
						SCALE			
							TITLE		
							IEQ11		05
							SIZE CODE		
							A1CSM8634-0-1		
							REV		
							SHY		
							SHY		611

DRAWING NUMBER  
M.0.31-0-1



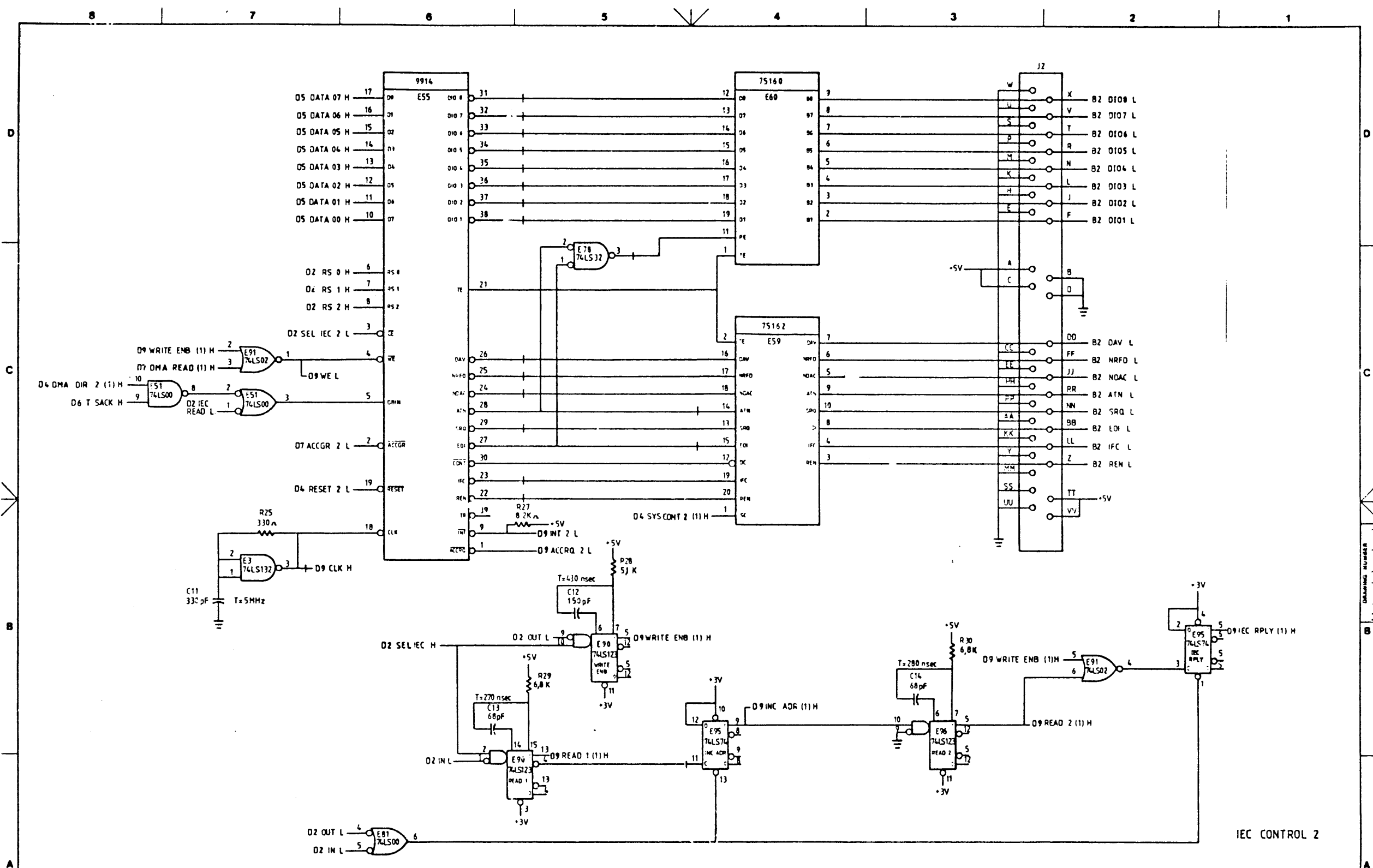




IEC CONTROL 1

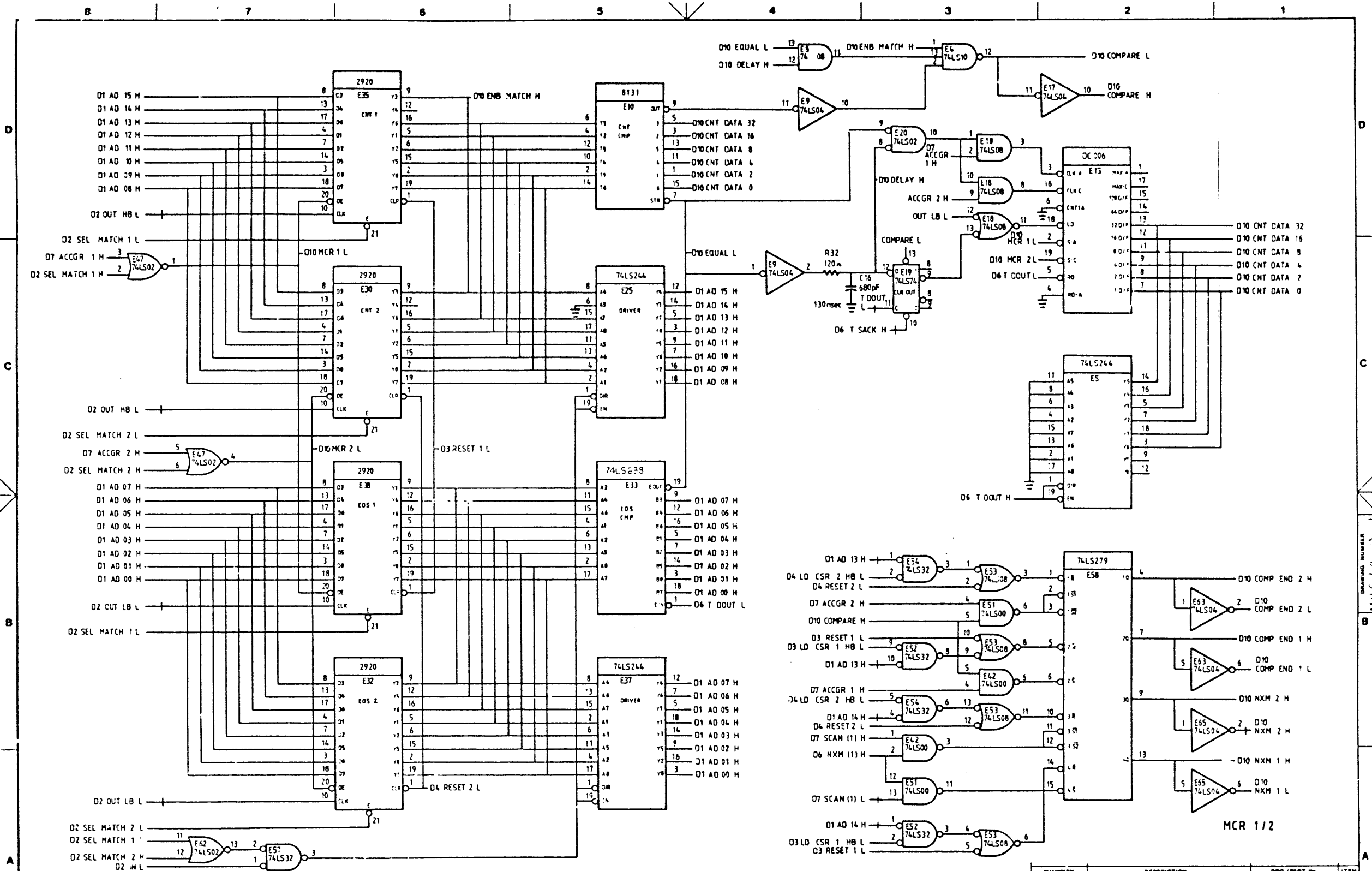
REV.	DATE	CHANGE	MATERIAL	UNLESS OTHERWISE STATED ALL DIMENSIONS IN MILLIMETRES TOLERANCES	THIRD ANGLE PROJECTION	QUANTITY	DESCRIPTION	DRG./PART NO.	ITEM
				ONE DECIMAL PLACE 0.4 mm TWO DECIMAL PLACES 0.2 mm THREE DECIMAL PLACES 0.1 mm ALL DIMENSIONS UNLESS OTHERWISE SPECIFIED		FIRST USED ON 8-DD-M9674 0 0	EQUIPMENT GMBH MUNICH, GERMANY		
				ANGLES ALL THREADS TO B.S. 949 Sp/IN FOR SYMBOLS ETC. SEE B.S. 388	REMOVE ALL BURRS	DRAWN	TITLE IEQ 11		08
					DO NOT SCALE DRAWING	ENGINEER	SIZE CODE A1	DRAWING NUMBER CS 15834-0-1	REV. 1
					SCALE	PROJ. ENG.			SHTS 3/11

DRAWING NUMBER  
CS 15834-0-1



REV.	DATE	CHANGE	MATERIAL	FINISH	UNLESS OTHERWISE STATED ALL DIMENSIONS IN MILLIMETERS TOLERANCES ONE DECIMAL PLACE	THIRD ANGLE PROJECTION	QUANTITY	DESCRIPTION	ORG./PART No.	ITEM
					0.4 mm (0.015 in) MAXIMUM PERMITTED UNLESS OTHERWISE SPECIFIED	REMOVE ALL BURRS	FIRST USED ON B-00-M3634-0-0	<b>digital</b>	EQUIPMENT GMBH. UNICH GERMANY.	
					ALL DIMENSIONS UNLESS OTHERWISE SPECIFIED	DO NOT SCALE DRAWING	ENGINEER	TITLE	122 11	09
					ALL THREADS TO B.S. 848 (IP/IN) FOR SYMBOLS ETC. SEE B.S. 380	SCALE	PROJ. ENG.	SIZE CODE	A1CSM3634-0-1	REV INT SMTS
										9 11 1

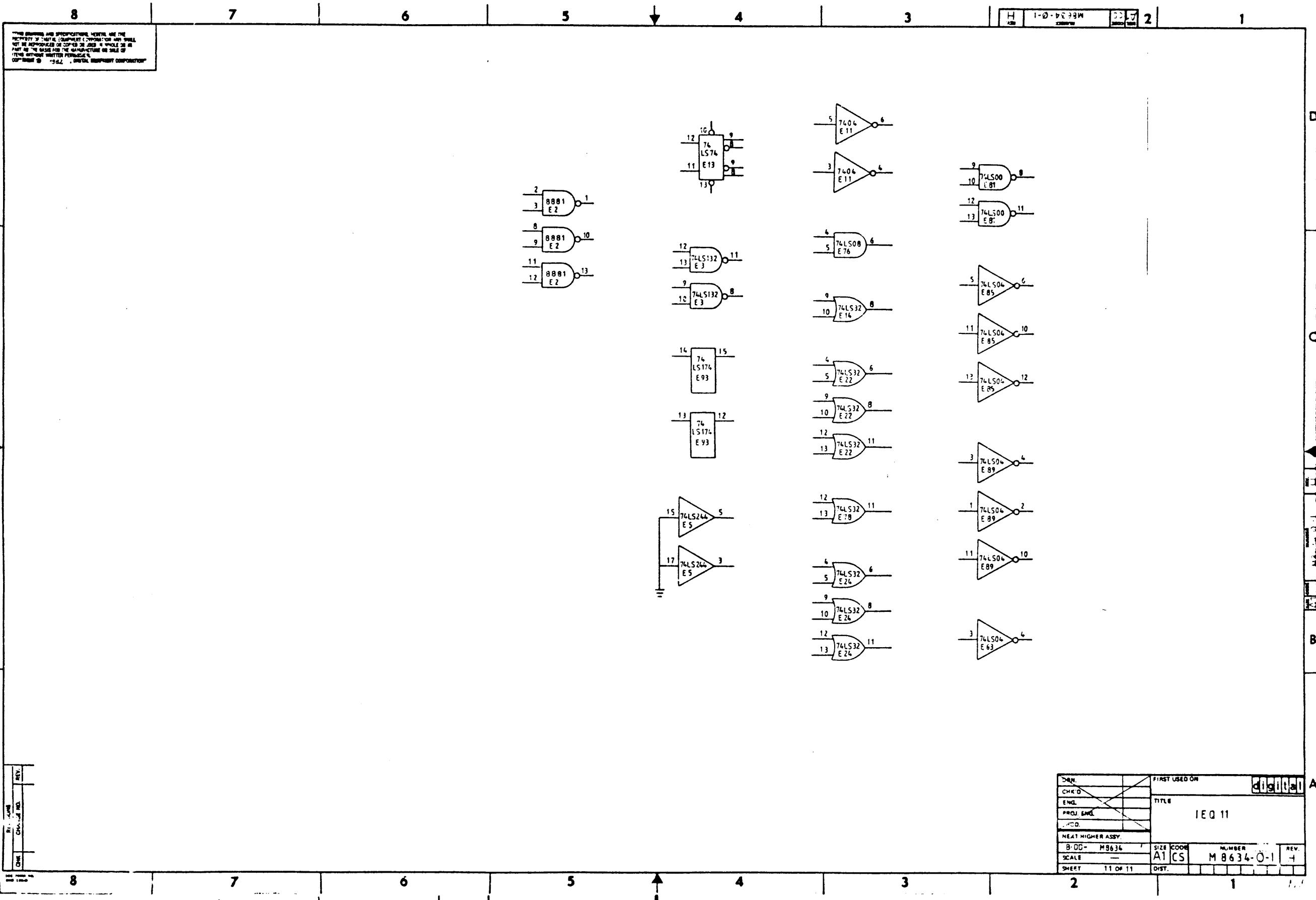
DRAWING NUMBER M3634-0-1



REV	DATE	CHANGE	MATERIAL	UNLESS OTHERWISE STATED ALL DIMENSIONS IN MILLIMETRES TOLERANCES	THIRD ANGLE PROJECTION	QUANTITY	DESCRIPTION	DRG./PART NO.	ITEM
				ONE DECIMAL PLACE ±0.4 mm TWO DECIMAL PLACES ±0.25 mm THREE DECIMAL PLACES ±0.15 mm ANGLES ±0.5° ALL THREADS TO B.S. 8888 (M) OR FOR SYMBOLS ETC. SEE B.S. 338					
					REMOVE ALL BURRS AND SHARP EDGES				
					DO NOT SCALE DRAWINGS				
					SCALE				
						FIRST USED ON B-00-M 9534-J-0	<b>digital</b> EQUIPMENT GEMM. MUNICH, GERMANY.		
							TITLE IEQ 11		D10
							SIZE CODE A1CSM 9534-0-1		H1011

DRAWING NUMBER  
M 9534-0-1

THIS DRAWING AND SPECIFICATIONS HERETO, ARE THE PROPERTY OF "MOTOR CORPORATION" AND SHALL NOT BE REPRODUCED OR COPIED IN WHOLE OR IN PART OR BE USED FOR THE MANUFACTURE OR SALE OF ITEMS WITHOUT WRITTEN PERMISSION.  
 MOTOR CORPORATION



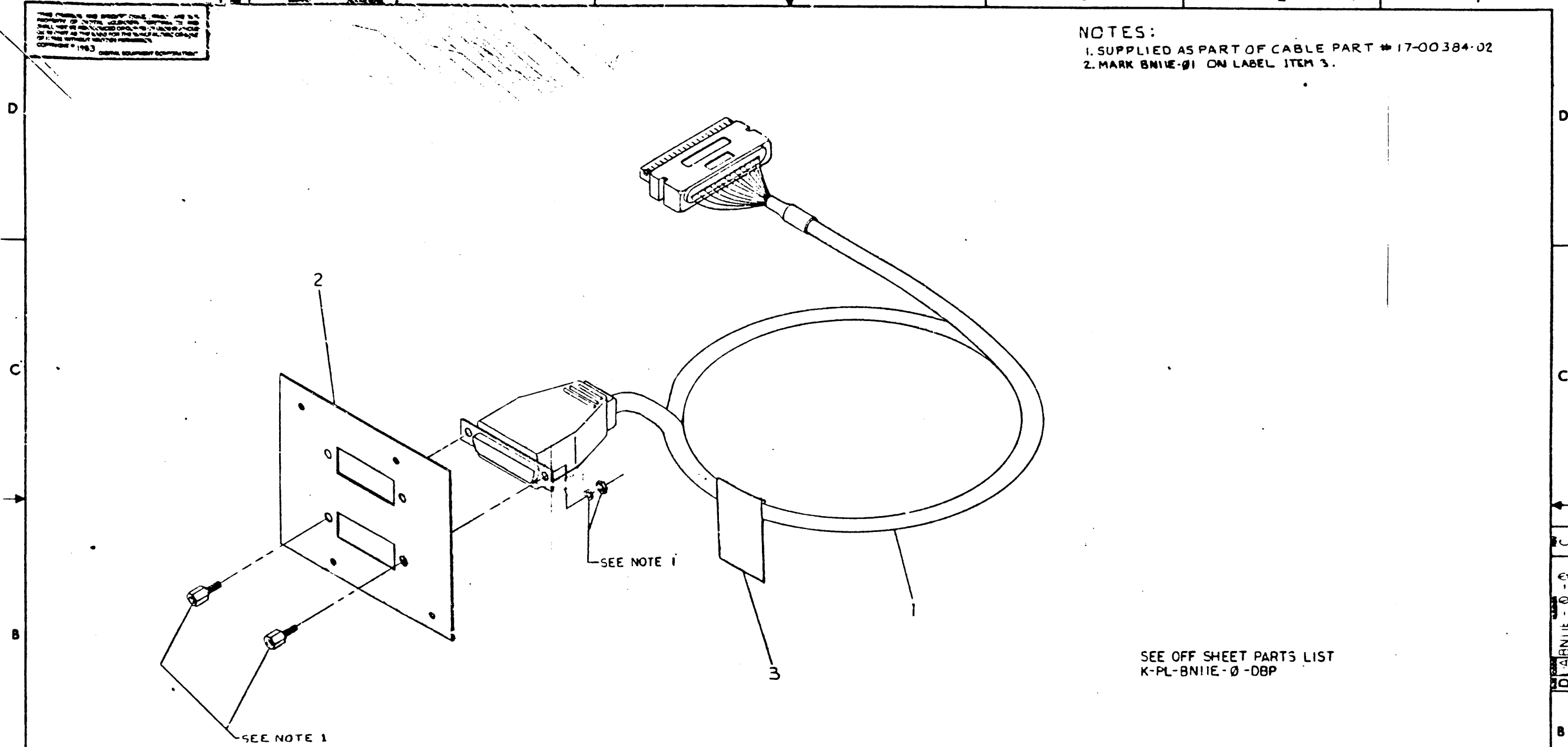
CHK'D	FIRST USED ON	10/20/81	
ENGL	TITLE	IEQ 11	
PROJ. ENGR.			
ACD			
NEAT HIGHER ASSY.			
B-DC- M8634	SIZE	ROOM	NUMBER
SCALE	A1 CS	M 8634-0-1	REV. 4
SHEET 11 OF 11	DIST.		

THIS DRAWING IS THE PROPERTY OF THE U.S. GOVERNMENT AND IS TO BE REPRODUCED AND TRANSMITTED IN ANY FORM AND BY ANY MEANS, ELECTRONIC OR MECHANICAL, INCLUDING PHOTOCOPYING, RECORDING, OR BY ANY INFORMATION STORAGE AND RETRIEVAL SYSTEM, WITHOUT PERMISSION IN WRITING FROM THE U.S. GOVERNMENT PRINTING OFFICE: 1963 O - 354-100

DRAWING NO. BN11E-0-0

NOTES:

1. SUPPLIED AS PART OF CABLE PART # 17-00384-02
2. MARK BN11E-01 ON LABEL ITEM 3.



SEE OFF SHEET PARTS LIST  
K-PL-BN11E-0-DBP

REV	DESCRIPTION	DATE
1	BN11E-0-0	2-10-63
2	BN11E-0-0	2-10-63
3	BN11E-0-0	2-10-63
4	BN11E-0-0	2-10-63
5	BN11E-0-0	2-10-63
6	BN11E-0-0	2-10-63
7	BN11E-0-0	2-10-63

DESCRIPTION		DRAWING NO.		PART NO.	
UNLESS OTHERWISE SPECIFIED DIMENSIONS ARE IN INCHES AND THE FOLLOWING TOLERANCES APPLY (PER DBC STD 114)					
DIMENSIONS	FRAMES	OVER 0 TO 0.2	OVER 0.2 TO 0.5	OVER 0.5 TO 1.0	OVER 1.0 TO 1.5
	OTHER	±0.005	±0.002	±0.001	±0.0005
APPLICABLE DIMENSIONS	FRAMES	OVER 0 TO 0.2	OVER 0.2 TO 0.5	OVER 0.5 TO 1.0	OVER 1.0 TO 1.5
OTHER	FRAMES	±0.005	±0.002	±0.001	±0.0005
CLARITY & VARIATION	FRAMES	OVER 0 TO 0.2	OVER 0.2 TO 0.5	OVER 0.5 TO 1.0	OVER 1.0 TO 1.5
OTHER	FRAMES	±0.005	±0.002	±0.001	±0.0005
THIRD ANGLE PROJECTION	FRAMES	OVER 0 TO 0.2	OVER 0.2 TO 0.5	OVER 0.5 TO 1.0	OVER 1.0 TO 1.5
OTHER	FRAMES	OVER 0 TO 0.2	OVER 0.2 TO 0.5	OVER 0.5 TO 1.0	OVER 1.0 TO 1.5
DO NOT SCALE DRAWINGS	FRAMES	OVER 0 TO 0.2	OVER 0.2 TO 0.5	OVER 0.5 TO 1.0	OVER 1.0 TO 1.5
REMOVE BURRS AND BREAK SHARP CORNERS	FRAMES	OVER 0 TO 0.2	OVER 0.2 TO 0.5	OVER 0.5 TO 1.0	OVER 1.0 TO 1.5
MATERIALS	FRAMES	OVER 0 TO 0.2	OVER 0.2 TO 0.5	OVER 0.5 TO 1.0	OVER 1.0 TO 1.5
FINISH	FRAMES	OVER 0 TO 0.2	OVER 0.2 TO 0.5	OVER 0.5 TO 1.0	OVER 1.0 TO 1.5
TITLE		DATE		DRAWN BY	
BN11E-0 CABLE ASSY		2-10-63		J. J. ...	
DRAWN BY		DATE		CHECKED BY	
J. J. ...		2-10-63		...	
CHECKED BY		DATE		APPROVED BY	
...		2-10-63		...	
APPROVED BY		DATE		DRAWING NO.	
...		2-10-63		DUA BN11E-0-0	
DRAWING NO.		DATE		PART NO.	
DUA BN11E-0-0		2-10-63		BN11E-0-0	

THIS DRAWING AND SPECIFICATIONS HEREBY ARE THE PROPERTY OF DIGITAL. NO PARTS, COMPONENTS AND MATERIALS ARE TO BE REPRODUCED OR COPIED OR USED IN WHOLE OR IN PART AS THE BASIS FOR THE MANUFACTURE OR SALE OF ITEMS WITHOUT WRITTEN PERMISSION.

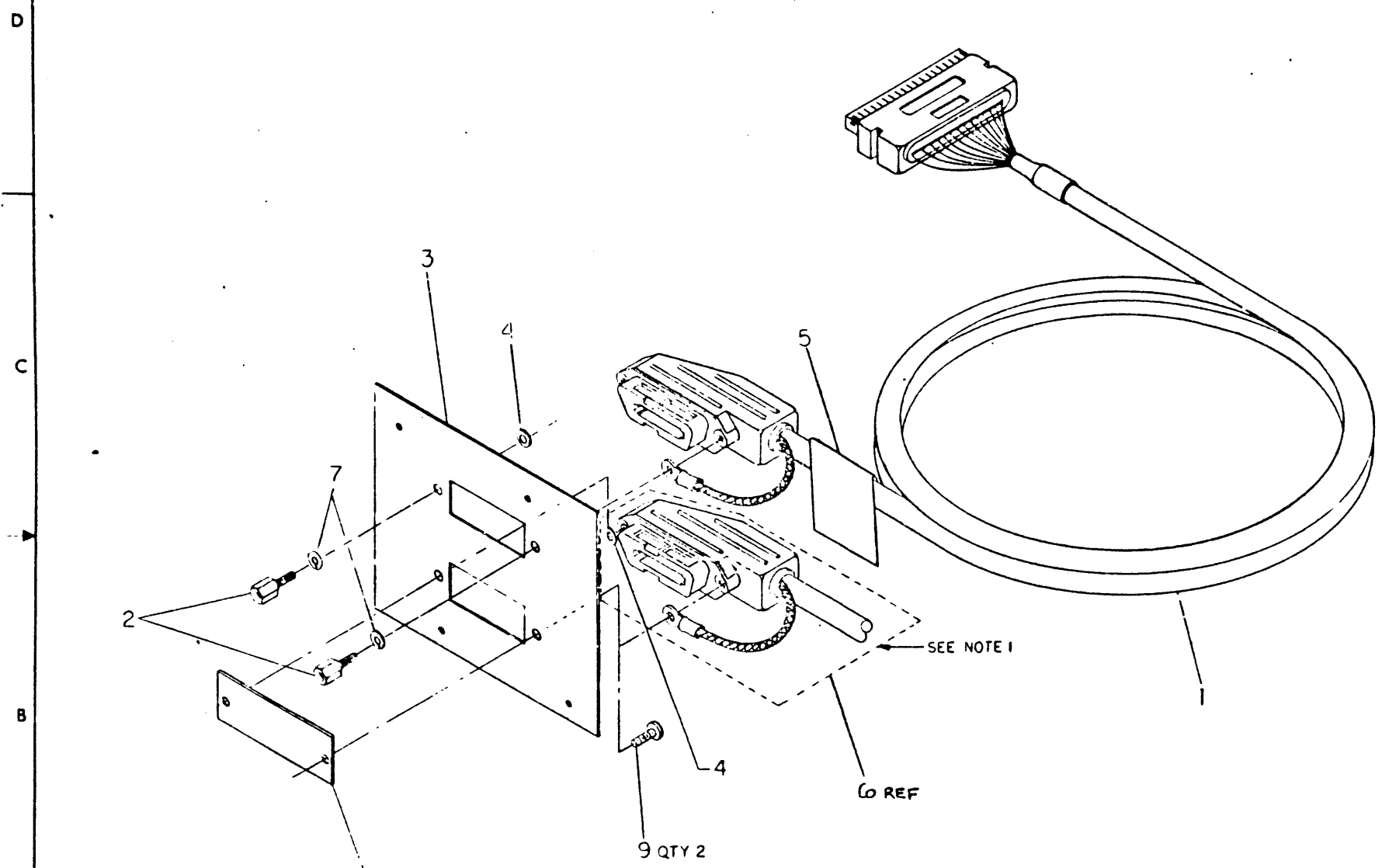
Copyright © 1983 Digital Equipment Corporation

DUA-BN1IF-Ø-Ø

LEGEND	
PART NUMBER	REVISION
BN1IF-Ø	1 A I AS SHOWN

**NOTES:**

1. MOUNTING LOCATION FOR OPTIONAL SECOND CABLE (P/N 7020161-01).
2. MARK BN1IF-Ø1 ON LABEL ITEM 5.



SEE OFF SHEET PARTS LIST  
K-PL-BN1IF-Ø-DBP

REV	DESCRIPTION	DATE
B	BN1IF-Ø-Ø1 MULTI-CABLE 4 IN. B4 TO JUNE 87	1/1/87
C	BN1IF-Ø-Ø1 A L K R C C O	1/1/87
D	BN1IF-Ø-Ø1 A L K R C C O	1/1/87

DESCRIPTION	DRAWING NO	PART NO	REV						
UNLESS OTHERWISE SPECIFIED DIMENSIONS ARE IN INCHES AND THE FOLLOWING TOLERANCES APPLY (PER DEC STD 114)									
INCH TOLERANCES	ANGLES VP 3P	APPLICABLE DIMENSION RANGES	DIMENSION RANGE IN INCHES						
0 - 1	SURFACE QUALITY	INCHES	OVER 0	OVER 1.2	OVER 1.8	OVER 2.4	OVER 3.0	OVER 3.6	OVER 4.2
1 - 1.99			1.2 TO 1.99	1.8 TO 2.39	2.4 TO 2.99	3.0 TO 3.59	3.6 TO 4.19	4.2 TO 4.79	4.8 TO 5.39
2 - 99.99			2.0 TO 2.99	3.0 TO 3.99	4.0 TO 4.99	5.0 TO 5.99	6.0 TO 6.99	7.0 TO 7.99	8.0 TO 8.99
QUANTITY & VARIATION	SURFACE QUALITY	TOLERANCES	DIGITAL						
THIRD ANGLE PROJECTION	DATE: 1/1/87	BY: [Signature]	TITLE: BN1IF-Ø CABLE ASSY						
DO NOT SCALE DRAWINGS	DATE: 1/1/87	BY: [Signature]	CLASSIFICATION: UNCLASSIFIED						
REMOVE FILLS AND BREAK SHARP CORNERS	DATE: 1/1/87	BY: [Signature]	PART NO: DUA-BN1IF-Ø-Ø						
SYMBOLS	DATE: 1/1/87	BY: [Signature]	REV: C						
FRAMES	DATE: 1/1/87	BY: [Signature]	SCALE: 1:1						

DUA-BN1IF-Ø-Ø

DIGITAL

DUA-BN1IF-Ø-Ø

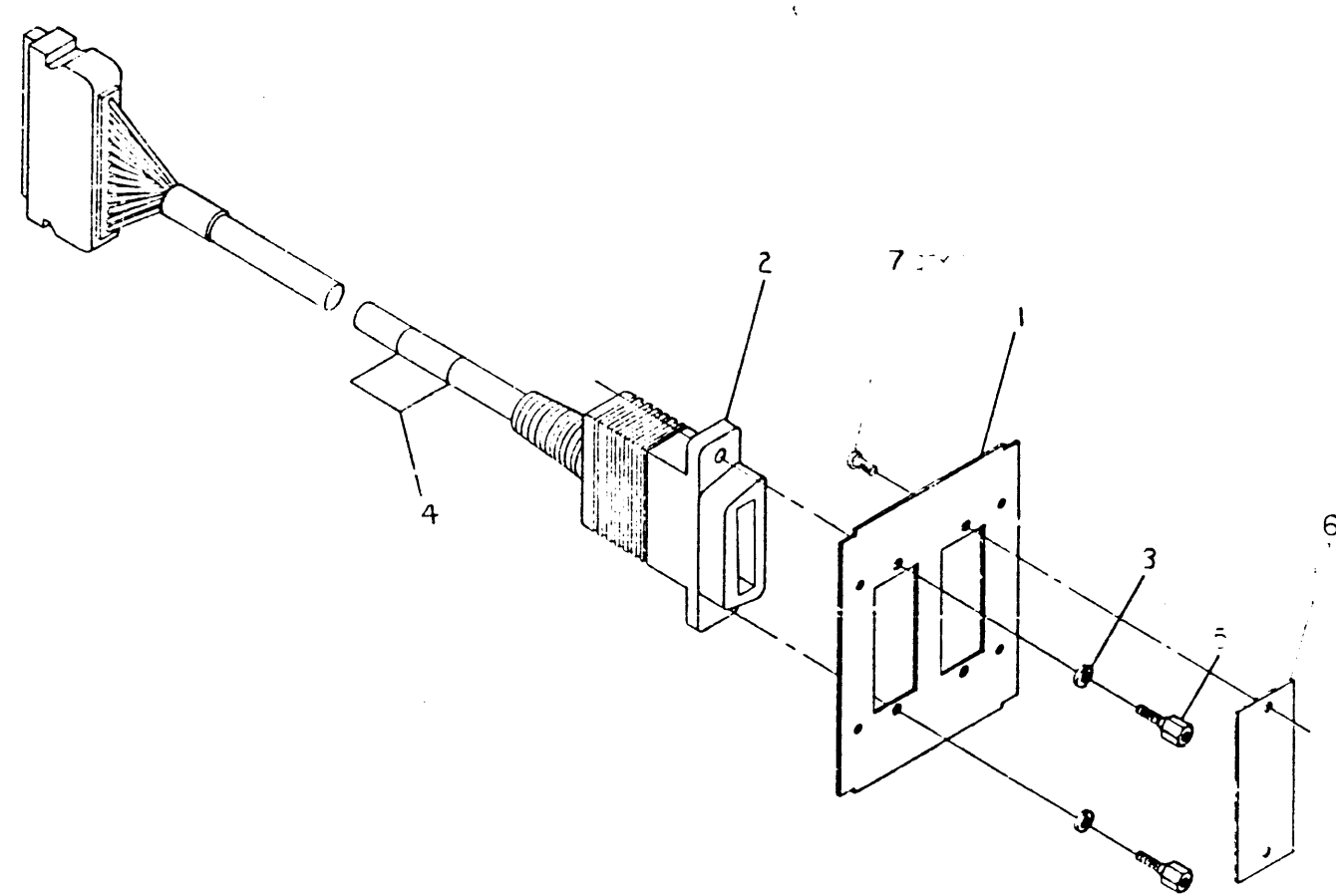
REV: C

8 7 6 5 4 3 2 1

DAD-BN11K-0-0

LEGEND  
 PART NO. SEE REV. 1  
 BNY-70

THIS DRAWING AND SPECIFICATIONS HEREBY ARE THE PROPERTY OF DIGITAL EQUIPMENT CORPORATION AND SHALL NOT BE REPRODUCED OR COPIED OR USED IN WHOLE OR IN PART AS THE BASIS FOR THE MANUFACTURE OF ANY PRODUCT WITHOUT WRITTEN PERMISSION OF DIGITAL EQUIPMENT CORPORATION.



REV	ECO NUMBER	DATE	DESCRIPTION
A	INIT. RELEASE	11/13/84	INITIAL RELEASE

DESCRIPTION	DRAWING NO.	PART NO.	ITEM NO.									
UNLESS OTHERWISE SPECIFIED DIMENSIONS ARE IN INCHES AND THE FOLLOWING TOLERANCES APPLY (PER DEC STD 114)												
INCHES TOLERANCES	ANGLES ± 0° 30'	APPLICABLE DIMENSION RANGE	OVER 0	OVER 0.2	OVER 0.5	OVER 1.0	OVER 1.5	OVER 2.0	OVER 3.0	OVER 4.0	OVER 6.0	OVER 10.0
			± 0.00	± 0.008	± 0.012	± 0.016	± 0.024	± 0.036	± 0.048	± 0.072	± 0.108	± 0.144
QUANTITY & VARIATION	ANGLE SURFACE QUALITY	CHECK ONE	DIMENSION RANGE IN INCHES									
III ± 0.05	✓	<input type="checkbox"/>										
III ± 0.05		<input type="checkbox"/>										
THIRD ANGLE PROJECTION		DATE	TITLE									
DO NOT SCALE DRAWING		11-13-84	BN11K CABLE ASSY									
REMOVE BURRS AND BREAK SHARP CORNERS		DATE	DOCUMENT NUMBER									
MATERIAL		12/2/84	DAD BN11K-0-0									
FINISH		DATE	SCALE									
		01-11-85	1 OF 3									
			DAD-BN11K-0-0									

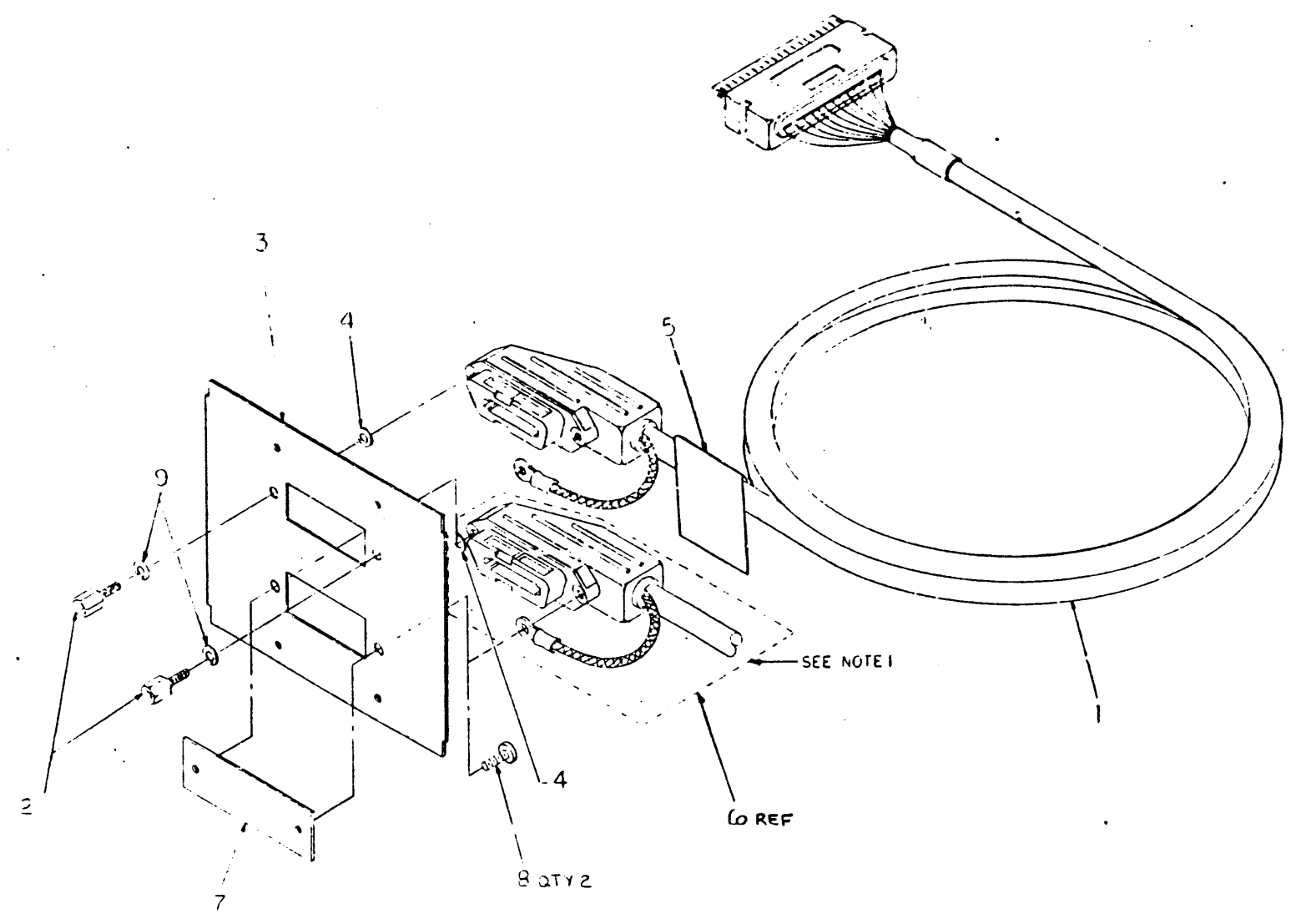
8 7 6 5 4 3 2 1



THIS DRAWING AND SPECIFICATIONS ARE THE PROPERTY OF DIGITAL EQUIPMENT CORPORATION AND SHALL NOT BE REPRODUCED OR COPIED IN ANY MANNER OR IN ANY MEDIUM WITHOUT THE WRITTEN PERMISSION OF DIGITAL EQUIPMENT CORPORATION.

LEGEND		
PART NUMBER	REV	VARIATION
BNIIS-01	A2	AS SHOWN

NOTES:  
 1. MOUNTING LOCATION FOR OPTIONAL SECOND CABLE (P/N 7020161-01).  
 2. MARK BNIIS-01 ON LABEL ITEM 5.



SEE OFF SHEET PARTS LIST  
 K-FL-BNIIS-0-DBP

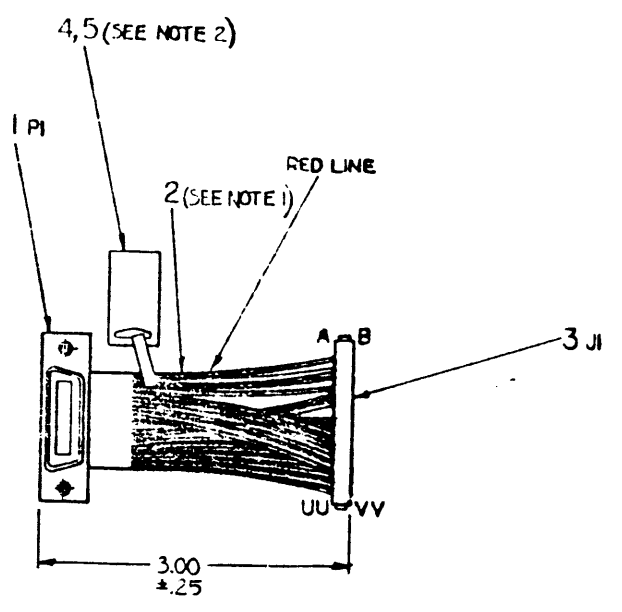
REV	ECO NUMBER	DATE	BY
B	FVILP-NU001	5/28/80	PAUL CHASBONNEAU
A	PAUL CHASBONNEAU		
	TONY JIMENEZ		
	FRANK NUOVO		
	D. NALAK		
	A. MASULLO		

DESCRIPTION	DRAWING NO	PART NO	TEM NO
UNLESS OTHERWISE SPECIFIED DIMENSIONS ARE IN INCHES AND THE FOLLOWING TOLERANCES APPLY (PER DEC STD 114)			
INCHES TOLERANCES	ANGLES ± 0.30°	APPLICABLE DIMENSION RANGE	OVER 0 TO 0.25
			OVER 0.25 TO 0.50
MICROINCHES	SURFACE QUALITY	APPLICABLE DIMENSION RANGE	OVER 0 TO 0.25
			OVER 0.25 TO 0.50
QUANTITY & VARIATION	THIRD ANGLE PROJECTION	DATE	TITLE
		7/15/80	BNIIS-0 CABLE ASSY
DO NOT SCALE DRAWING	DATE	7/15/80	digital
REMOVE BURRS AND BREAK SHARP CORNERS	DATE	7-15-80	
MATERIAL	DATE	7-15-80	
FINISH	DATE	7-15-80	
DRAWING NO: DUA-BNIIS-0-0		DOCUMENT NUMBER	
SCALE: 1:1		DUA-BNIIS-0-0	

WIRE TABLE		
PI	J1	SIGNAL
PI-1	P2-F	DI 01
PI-13	P2-R	DI 05
PI-2	P2-J	DI 02
PI-14	P2-T	DI 06
PI-3	P2-L	DI 03
PI-5	P2-V	DI 07
PI-4	P2-N	DI 04
PI-16	P2-X	DI 08
PI-5	P2-EB	EOL
PI-17	P2-Z	REN
PI-6	P2-DD	DAV TWP
PI-8	P2-CC	DAV RTN TWP 6
PI-7	P2-FF	NRFD TWP
PI-19	P2-EE	NRFD RTN TWP 7
PI-8	P2-JJ	NDAC TWP
PI-20	P2-HH	NDAC RTN TWP 8
PI-9	P2-LL	IFG TWP
PI-21	P2-KK	IFG RTN TWP 9
PI-10	P2-NN	SRQ TWP
PI-22	P2-MM	SRQ RTN TWP 10
PI-11	P2-RR	ATN TWP
PI-23	P2-PP	ATN RTN TWP 11
PI-12	N/C	SHIELD
PI-24	P2-SS	SIGNAL GND.

LEGEND		
PART NO	REV	VARIATION
7024783-01	A2	A3 SHOWN

NOTES:  
 1. PRECUT CABLE TO 3.5", THEN SEPARATE WIRES APPROX. 2.5" AND CONNECT TO APPROPRIATE J1 POSITION.  
 2. IDENTIFY USING ITEMS 4 & 5 OR MARK PER DEC STD 178.



SEE OFF SHEET PART LIST  
 K-PL-7024783-0-DBP

REV	ECO NUMBER	DATE	BY
A			
B			

DESCRIPTION	DRAWING NO	PART NO	ITEM NO
UNLESS OTHERWISE SPECIFIED DIMENSIONS ARE IN INCHES AND THE FOLLOWING TOLERANCES APPLY (PER DEC STD 114)			
INCHES TOLERANCES	ANGLES ± 0.3°	APPLICABLE DIMENSION RANGE	
		OVER 0 TO 0.2	OVER 0.2 TO 0.5
SURFACE QUALITY	CHECK ONE	<input type="checkbox"/>	± 0.01
		<input type="checkbox"/>	± 0.02
QUANTITY & VARIATION	FINISH	DOCUMENT NUMBER	
		DIA 7024783-0-0 B	
THIRD ANGLE PROJECTION		DESIGNED BY D. HEBERT	DATE 5-16-67
DO NOT SCALE DRAWING		DATE 5/2/67	TITLE M3634-PA digital
REMOVE BURRS AND BREAK SHARP CORNERS		DATE 7/2/67	INTERCONNECT CABLE
MATERIAL		DATE 8/2/67	
FINISH		DATE 11/16/67	
DRAWN BY		DRAWING NUMBER	
DATE		DIA 7024783-0-0 B	
SCALE		SHEET 1 OF 1	



DIGITAL EQUIPMENT CORPORATION

## PURCHASE SPECIFICATIONS

TITLE: CABLE ASSEMBLY, FLAT RIBBON, 24 CONDUCTORS

## PARTY INFORMATION:

This document contains proprietary information of Digital Equipment Corporation. This document and the information it contains may only be use in the design, production, or manufacture of products for Digital Equipment Corporation.

## Default Tolerances:

Unless otherwise specified, dimensions are in inches. Fractional inch tolerance is  $\pm 1/64$ . Decimal inch tolerances are: three place  $\pm 0.005$ , two place  $\pm 0.02$ , one place  $\pm 0.1$ . Angle tolerance is  $\pm 30'$ .

## Approved Vendor:

Approved vendors are designated in Digital's Qualified Vendor Listing.

## Document Approvals and Dates:

Design Engineer	Component Engineer	Writer	Release Date
M. Chen	L. MacLellan	M. Frick	16 JUNE 88

## Document Revision History:

Approval Name	ECO No.	Doc. Rev	Approval Date

DOCUMENT NUMBER		
SIZE	CODE	NUMBER
A	PS	1701988-0-0
PAGE 1 OF 5		



DIGITAL EQUIPMENT CORPORATION

## PURCHASE SPECIFICATIONS

DIGITAL PART NUMBER		
NUMBER	REV	AOI
17-01988-01		

## 1. GENERAL DESCRIPTION:

This specified defines the detail requirements for a 24 conductor flat ribbon, Cable Assembly with an Amp Champ connector on each end (P1 and P2).

## 2. APPLICABLE DOCUMENTS (PER LATEST REVISION ON DATE OF ORDER):

## DIGITAL EQUIPMENT CORPORATION

A-PS-3616989-0-0	Label, Identification
A-PS-9107738-0-0	Cable, Flat, Multi-Conductor, 28 AWG
A-PS-1229610-0-0	Connector, Champ, 24 Pos Ribbon, Plug, Screw Lock

## UNDERWRITERS' LABORATORIES, INC.

UL-STD-94

Test for Flammability of Plastic Materials For Parts in Devices and Appliances

DOCUMENT NUMBER		
SIZE	CODE	NUMBER
A	PS	1701988-0-0
PAGE 2 OF 5		



DIGITAL EQUIPMENT CORPORATION

## PURCHASE SPECIFICATIONS

3.6 Workmanship: Item shall be uniform in quality and be free from defects that adversely affect life, serviceability, performance, or appearance.

3.7 Packaging and shipping: The cable assemblies shall be properly packaged to prevent damage during handling, transit, and storage. Minimum marking data on container shall include the vendor name or symbol, vendor part number, Digital Equipment Corporation part number and part revision level, date code, purchase order number, quantity, and UL Cable/Harness Category file number per UL Labeling Program specified in UL Wiring Harness Program 764.

In addition, each container shall bear the UL-Wiring/Harness label and control number per UL Labeling Program specified in UL Wiring Harness Program 764.

## 4. QUALITY ASSURANCE PROVISIONS:

4.1 Approval: Items submitted shall have been initially approved by Digital Equipment Corporation. Approval shall be given only after samples representative of the vendors normal production run have been examined, tested and found to meet the requirements of this specification.

4.2 Construction Changes: Approved vendors who desire at any time to make a change in the design, materials, process control which impact any requirement, shall submit a written request to the responsible Digital Representative describing in detail the changes requested, and evidence to justify such changes. This request shall be reviewed by the responsible Engineering Department and Component Engineering Group for consideration. No changes shall be incorporated until written approval has been received from Digital Equipment Corporation.

Failure to comply, shall be sufficient cause for removal as "Qualified Source" with complete requalification required before product is deemed acceptable.

DOCUMENT NUMBER		
SIZE	CODE	NUMBER
A	PS	1701988-0-0
PAGE 4 OF 5		



DIGITAL EQUIPMENT CORPORATION

## PURCHASE SPECIFICATIONS

## 3. REQUIREMENTS:

## 3.1 Mechanical:

## 3.1.1 Materials:

A. Cable: Per A-PS-9107738-03 as specified in Figure 1.

B. Connector: Per A-PS-1229610-0-0 as specified in Figure 1.

3.1.2 Pull tests: All crimped terminations shall withstand a pull test of 20 lbs. minimum.

3.1.3 Configuration/Dimensions: Per Figure 1.

3.1.4 Complete Assembly Construction: 24 Conductors in flat configuration, terminated with an Champ Connector on each end.

## 3.2 Electrical:

3.2.1 Assembly Voltage Rating: 30 Volts DC

3.2.2 Dielectric Withstanding Voltage: The cable assembly shall withstand a minimum of 500 Volts DC for 3 seconds.

## 3.3 Environmental:

A. Operating Temperature: 0°C to 60°C

B. Storage Temperature: -30°C to 80°C

3.4 Laboratory Approvals: The manufacturer of the assembly shall be UL recognized under UL Wiring Harness Program 764.

3.5 Marking: The assembly shall be labeled per A-PS-3616989-0-0, 3616989-01 as specified in figure 1. The marking on the label shall include the vendor's name or symbol, Digital Part Number and Part Revision Level, and the Date Code.

DOCUMENT NUMBER		
SIZE	CODE	NUMBER
A	PS	1701988-0-0
PAGE 3 OF 5		

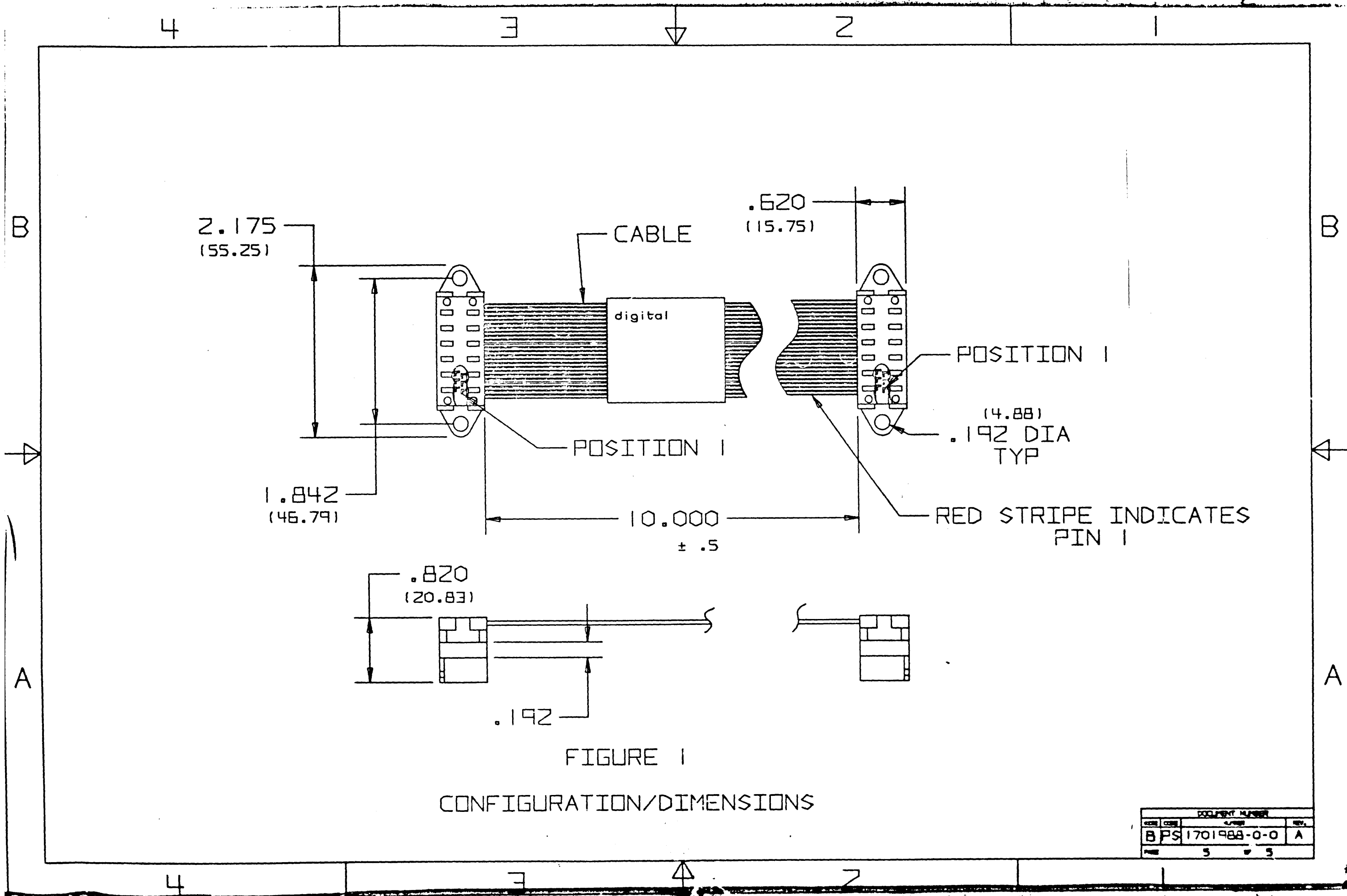


FIGURE 1  
 CONFIGURATION/DIMENSIONS

DOCUMENT NUMBER		
REV.	DATE	BY
B	PS 1701988-0-0	A
5		5

LINE	ITEM	TOP DOCUMENT	PART NUMBER	MIN REV	DESCRIPTION	SHEET		OF		PAGE
						SA	SB	QUANTITY	PER VARIATION/REVISION	
						A02	A02	SF	A02	1
1	1	K-DD-M8634-0-0	M8634-PA		Q-BUS INTERFACE TO IEEE488/IEC625	-	1	1		
2	2	K-PL-7024505-0-DBP	70-24505-01		KIT,BULKHEAD,PANEL	-	-	1		
3	3	A-PA-3700931-0-0	37-00931-04		PKG MODULE 1 IN CUS OPT	-	-	1		
4	4		EK-IEQ11-IN		IEQ11-SA Q22 IEEE BUS INTF	1	-	1		
5	5		EK-IEUQ1-UG		IEU/IEQ-11 USERS GUIDE	1	-	1		
6	6		BN01A-02		*** THIS ITEM IS NOT USED ***	-	-	-		
7	7	K-PL-IEQ11-S-DBP	IEQ11-SB		M8634-PA,NOT INSTALLED	1	-	-		
8	8		17-01988-01		CABLE ASSY, COND,FLAT	-	1	1		

REVISION HISTORY		KPL MATRIX FORMAT		SECTION A OF A	DRN: PAUL GAGNE	DIGITAL			
ENG	ECO NUMBER	REV	SECTION/VARIATION INDEX		DATE: 14-APR-87	TITLE PARTS LIST			
---	INITIAL	A	[A]	SA,SB,SF	CHK'D: D. HEALY	IEQ11-S SHIPPING LIST			
MC	IEQ11-S-CTS001	B	[B]		DATE: 27-AUG-87				
LT	IEQ11-S-MK102	C	[C]		DES.ENG: J. PADGETT	DOCUMENT NUMBER			
			[D]		DATE: 27-AUG-87	SIZE	CODE	NUMBER	REV
			[E]		RESP.ENG.: J. PADGETT	K	PL	IEQ11-S-DBP	C
			[F]		DATE: 27-AUG-87	RELEASE DATE: 04-JAN-91			
			[H]		MFG.ENG: R. MCCLAIN	RELEASE STATUS: RELEASED			
			[J]		DATE: 27-AUG-87				
			BASIC PART NUMBER:		ASSEMBLY NUMBER:		TOP DOCUMENT NUMBER:		EDIT #
			IEQ11				K-PL-IEQ11-S-DBP		
			FILE NAME: IEQ11C.PLS						

"THIS DRAWING AND THE SPECIFICATIONS CONTAINED HEREIN ARE CONFIDENTIAL AND PROPRIETARY. THEY ARE THE PROPERTY OF DIGITAL EQUIPMENT CORPORATION AND SHALL NOT BE REPRODUCED OR COPIED OR USED IN WHOLE OR IN PART AS THE BASIS FOR THE MANUFACTURE OR SALE OF ITEMS WITHOUT WRITTEN PERMISSION. THIS IS AN UNPUBLISHED WORK PROTECTED UNDER THE FEDERAL COPYRIGHT LAWS."