

"THE MATERIAL HEREIN IS FOR INFORMATION PURPOSES ONLY AND IS SUBJECT TO CHANGE WITHOUT NOTICE. DIGITAL EQUIPMENT CORPORATION ASSUMES NO RESPONSIBILITY FOR ANY ERRORS WHICH MAY APPEAR HEREIN."

# FIELD MAINTENANCE PRINT SET

"THIS DRAWING AND SPECIFICATIONS, HEREIN, ARE THE PROPERTY OF DIGITAL EQUIPMENT CORPORATION AND SHALL NOT BE REPRODUCED OR COPIED OR USED IN WHOLE OR IN PART AS THE BASIS FOR THE MANUFACTURE OR SALE OF ITEMS WITHOUT WRITTEN PERMISSION. COPYRIGHT © DIGITAL EQUIPMENT CORPORATION. 1984"

## TABLE OF CONTENTS

B-TC-PC100-B-1	TABLE OF CONTENTS, PC100
E-UA-PC100-0-DBU	UNIT ASSY. PC100
K-PL-PC100-0-DBP	PARTS LIST, PC100
B-DD-PC100-0	DRAWING DIRECTORY, PC100
B-DD-5416206-0	DRAWING DIRECTORY, UNIT ASSEMBLY
E-UA-5416206-0-0	CIRCUIT SCHEMATIC
D-CS-5416206-0-1	PARTS LIST
K-PL-5416206-0-DBP	PARTS LIST
K-PL-7019974-0-DBP	PARTS LIST
D-AD-7019974-0-DBU	ASSEMBLY DRAWING
B-DD-5415482-0	DRAWING DIRECTORY RX50 CONTROLLER BOARD
E-UA-5415482-0-0	UNIT ASSEMBLY RX50 CONTROLLER BOARD
K-PL-5415482-0-DBP	PARTS LIST RX50 CONTROLLER BOARD
D-CS-5415482-0-1	CIRCUIT SCHEMATIC RX50 CONTROLLER BOARD

UNIT VARIATIONS COVERED BY THIS PRINT SET
PC100-B2
PC100-B3
PC100-B4
PC100-B5
PC100-B6
PC100-B7

PC100-B  
**Field Maintenance  
 Print Set**  
 Digital Equipment  
 Corporation

Print Set Part Number MP-01722-01

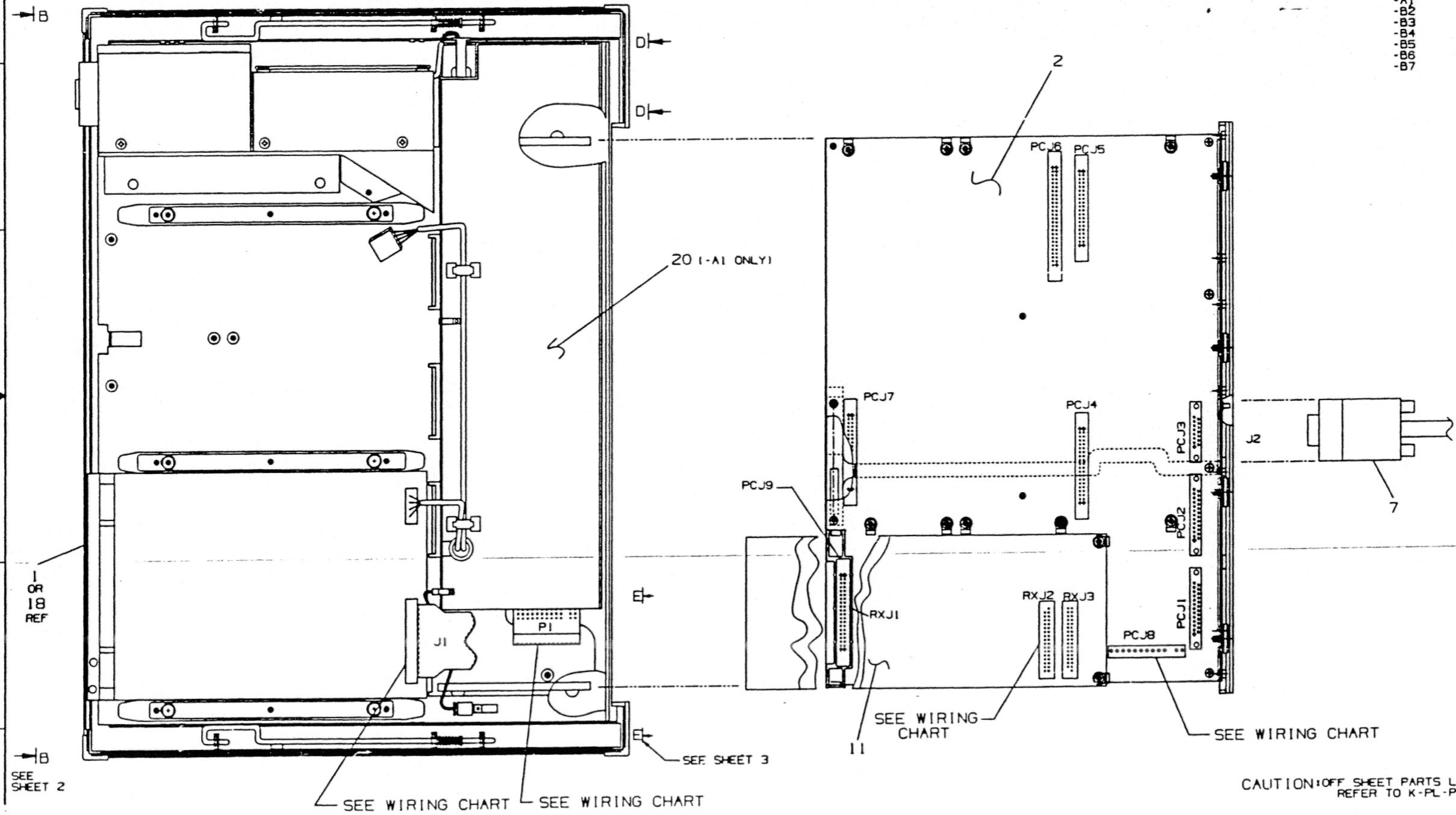
REVISION HISTORY	REV.	A	DRN.	B. E. CASSIDY	DATE	26-JUL-84	digital	TITLE TABLE OF CONTENTS PC100-B
	ECO NUMBER	PC100-MLO08	CHK'D.	J. KUSHIGAN	DATE	27-JUL-84		
			DES. ENG.	AL JOHNS	DATE	07-MAR-84		
			RESP. ENG.	AL JOHNS	DATE	07-MAR-84		
	DATE		FIELD SERVICE	AL TSHUDY	DATE	02-JUL-84		
		NEXT HIGHER DOC.			DOCUMENT NUMBER			
		SIZE	CODE	NUMBER		REV.		
		B	TC	PC100-B-1		A	SHEET 1 OF 1	

REV. A  
NUMBER PC100-B-1  
CODE TC  
SIZE B

ITEM NO.	FROM	TO	REMARKS
	J1 (18A25-B) PART OF ITEM 1	RXJ2 (15415482-00) PART OF ITEM 11	J1 USED TO IDENTIFY CABLE
39	P1 (18A25-B) PART OF ITEM 1	PCJ8 (15415488-01) PART OF ITEM 2	P1 USED TO IDENTIFY CABLE
7		PCJ3 (15415488-01) PART OF ITEM 2	CONNECTION SHOWN AS REFERENCE. DO NOT CONNECT BEFORE SHIPPING. SHIP SEPARATELY.

PC100-A	SEE DO	AS SHOWN
THRU -AN		

- WILL BE SHIPPED SEPARATELY AND INSTALLED AT CUSTOMER SITE.
- PLACE ITEM 17 OR 22 OR 33 OR 34 OR 35 OR 36 OVER A.C. POWER INLET.
  - ITEM #18, QTY OF 2 TO BE SHIPPED LOOSE PIECE, QUANTITY OF 2 WILL BE PLACED ON SHIPPING CONTAINER. MARK ITEM 18, BLANK BAR CODE LABEL, WITH PART NO. AND PART REVISION PER JEC. PACKAGING LOGO SPECIFICATION 9905210.
  - THE POWER SUPPLY VOLTAGE SELECT SWITCH MUST BE IN THE PROPER POSITION AS INDICATED:
- | -VARIATION | SWITCH POSITION |
|------------|-----------------|
| -A         | 115V            |
| -AN        | 115V            |
| -A1        | 115V            |
| -B2        | 115V            |
| -B3        | 230V            |
| -B4        | 230V            |
| -B5        | 230V            |
| -B6        | 230V            |
| -B7        | 230V            |



1 OR 18 REF  
SEE SHEET 2

ITEM 1 SHOWN WITH COVER REMOVED

CAUTION: OFF SHEET PARTS LIST EXISTS REFER TO K-PL-PC100-0-DBP

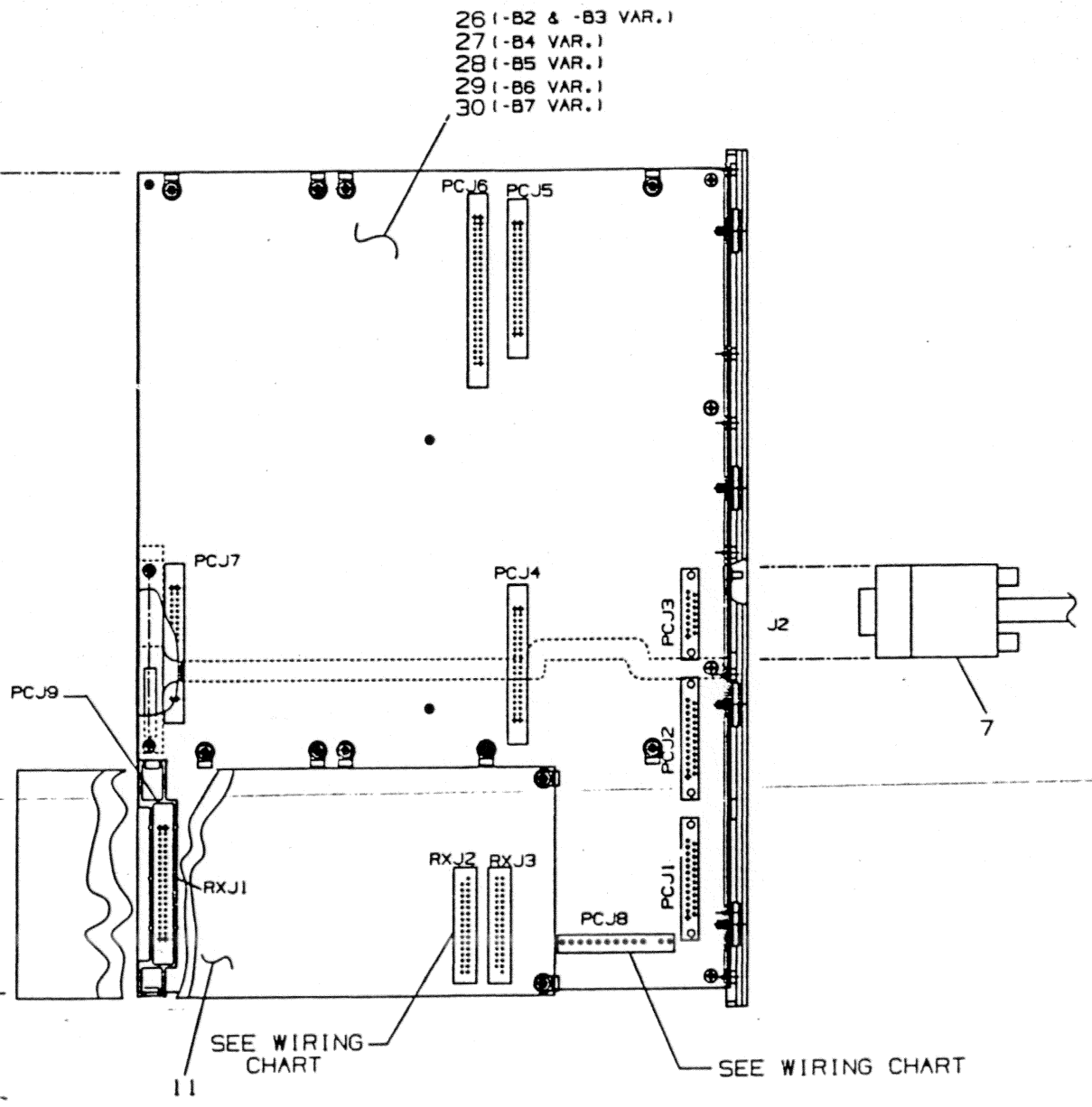
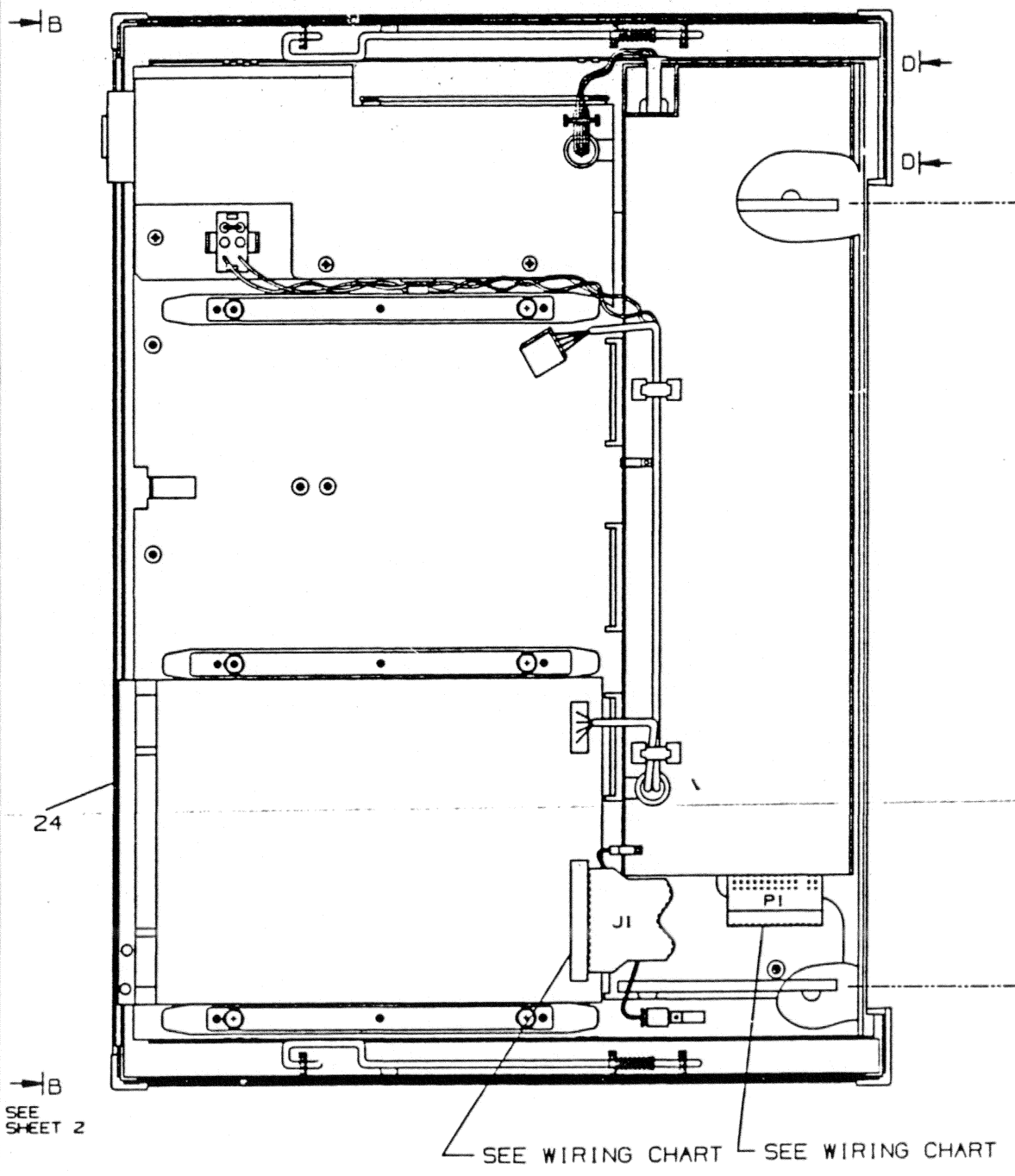
REV.	DESCRIPTION	DATE
1	INITIAL DESIGN	11-15-82
2	PC100-0-DBP	11-15-82
3	CONCEPT	11-15-82
4	PC100-0-DBP	11-15-82
5	CONCEPT	11-15-82
6	PC100-0-DBP	11-15-82
7	CONCEPT	11-15-82
8	PC100-0-DBP	11-15-82
9	CONCEPT	11-15-82
10	PC100-0-DBP	11-15-82
11	CONCEPT	11-15-82
12	PC100-0-DBP	11-15-82
13	CONCEPT	11-15-82
14	PC100-0-DBP	11-15-82
15	CONCEPT	11-15-82
16	PC100-0-DBP	11-15-82
17	CONCEPT	11-15-82
18	PC100-0-DBP	11-15-82
19	CONCEPT	11-15-82
20	PC100-0-DBP	11-15-82

DESCRIPTION	DRAWING NO.	PART NO.	REV.
UNLESS OTHERWISE SPECIFIED DIMENSIONS ARE IN INCHES AND THE FOLLOWING TOLERANCES APPLY (PER DEC STD 114)			
FRONT VIEW	22-AA-82		
RIGHT VIEW	22-AA-82		
TOP VIEW	22-AA-82		
ISOMETRIC	22-AA-82		
SECTION	22-AA-82		
DETAIL	22-AA-82		
ASSEMBLY	22-AA-82		
EXPLODED	22-AA-82		
OTHER	22-AA-82		
QUANTITY & VARIATION	0-00-PC100-0		
DO NOT SCALE DRAWING			
REMOVE BURRS AND BREAK SHARP CORNERS			
SEE PARTS LIST			
FINISH NOTE	0-00-PC100-0		
TITLE		DOCUMENT NUMBER	
RAINBOW		E UA PC100-0-DBP	
DATE		SHEET	
11-15-82		1/3	

ITEM NO.	FROM	TO	REMARKS
	J1 (BA25-B) PART OF ITEM 24	RXJ2 (5415482-00) PART OF ITEM 11	J1 USED TO IDENTIFY CABLE
39	P1 (BA25-B) PART OF ITEM 24	PCJ8 PART OF CPU ASSY.	P1 USED TO IDENTIFY CABLE
7		PCJ3 PART OF CPU ASSY.	CONNECTION SHOWN AS REFERENCE, DO NOT CONNECT BEFORE SHIPPING, SHIP SEPARATELY.

PC100-B2 THRU -B7	SEE DO	AS SHOWN
-------------------	--------	----------

J  
I  
L  
E  
D  
C  
A



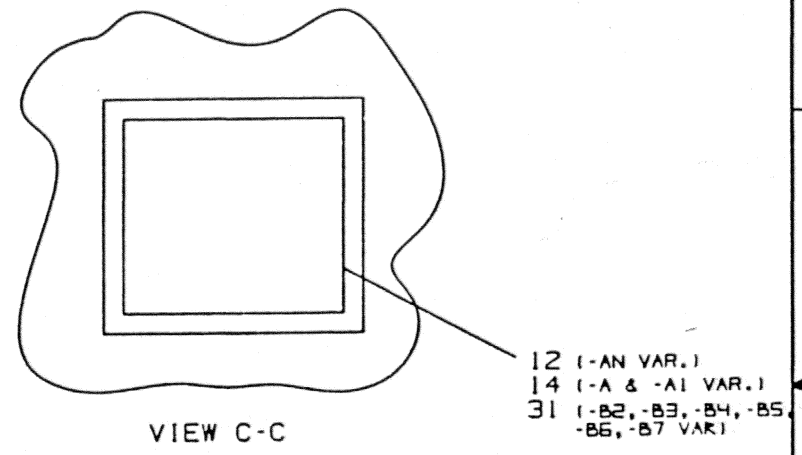
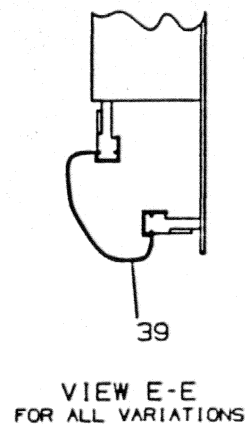
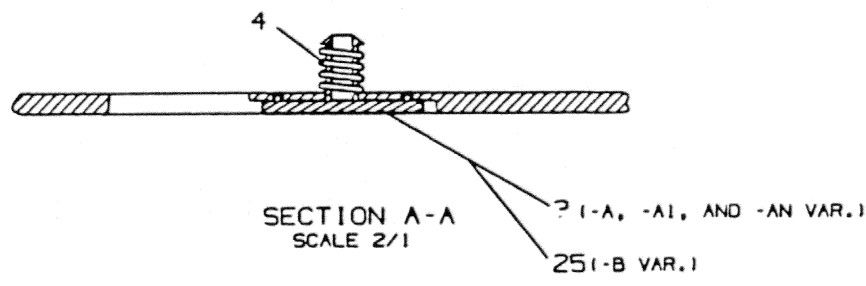
REVISION HISTORY		
DATE	REV HISTORY	BY

TITLE  
 RAINBOW

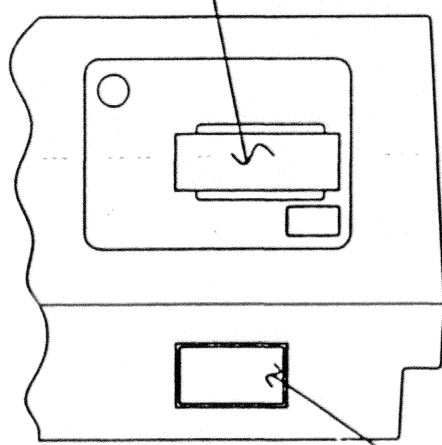
DOCUMENT NUMBER		
REV	NUMBER	REV
E	LA	PC100-0-DBU

E LA PC100-0-DBU

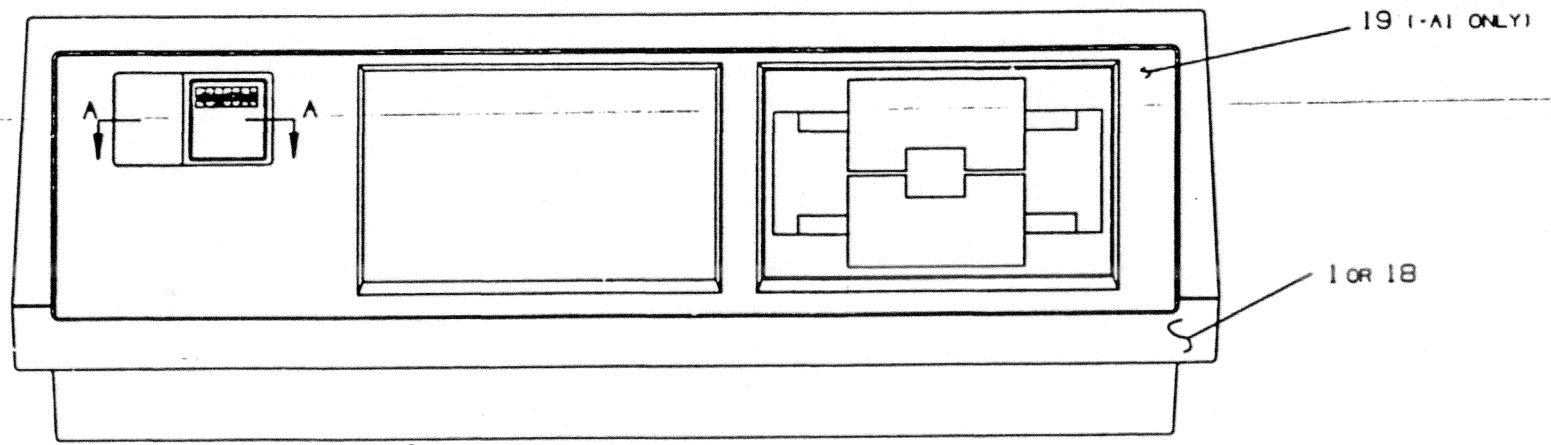
PC100-A THRU -AN	SEE DD	AS SHOWN
PC100-B2 THRU -B7	SEE DD	AS SHOWN



- 17 (-A & -AN VAR.)
- 22 (-A1 VAR.)
- 33 (-B2 VAR.)
- 34 (-B3 & -B7 VAR.)
- 35 (-B5 & -B6 VAR.)
- 36 (-B4 VAR.)



- 21 (-A1 VAR.)
- 40 (-B2 THRU -B7 VAR.)



REVISION HISTORY		
DATE	ECO HISTORY	KEY
SEE SHEET 1		

DOCUMENT NUMBER		
SYMBOL	NUMBER	REV
E	UA/PC100-0-DBU	L
SCALE 1/1		SHEET 2 OF 2

LINE	ITEM	TOP DOCUMENT	PART NUMBER	MIN REV	DESCRIPTION	QTY PER VARIATION									
						A	AN	A1	B2	B3	B4	B5	B6	B7	
						A6	A6	A2	A2	A3	A2	A2	A2	A2	
1	1	E-UA-BA25-0-0	BA25 -B		BA25-A,RX50-AA,H7842-A,120/240V	1	1	-	-	-	-	-	-	-	-
2	2	D-AD-7019974-0-DBU	7019974-00		CPU ASSY, RAINBOW 100	1	1	1	-	-	-	-	-	-	-
3	3	D-IA-7427256-0-DBU	7427256-03		MEDALLION,RAINBOW 100	1	1	1	-	-	-	-	-	-	-
4	4		1220113-01		SPRING,COMPRESSION .3000DX .380	1	1	1	1	1	1	1	1	1	1
5	5		9010318-02		*** THIS ITEM IS NOT USED ***	-	-	-	-	-	-	-	-	-	-
6	6	A-PA-3700695-0-0	3700695-02		PKG SYSTEM BA25 SMALL UNIT	1	1	1	-	-	-	-	-	-	-
7	7		1700283-00		CABLE,ASSY VIDEO B&W CT-150	1	1	1	1	1	1	1	1	1	1
8	8		3620218-01		*** THIS ITEM IS NOT USED ***	-	-	-	-	-	-	-	-	-	-
9	9		3617905-01		*** THIS ITEM IS NOT USED ***	-	-	-	-	-	-	-	-	-	-
10	10		3620215-02		*** THIS ITEM IS NOT USED ***	-	-	-	-	-	-	-	-	-	-
11	11	E-UA-5415482-0-0	5415482-00		PC100 RX50 CONTROLLER	1	1	1	1	1	1	1	1	1	1
12	12		3620218-05		LABEL,REGULATIONS,PC INTERIM	-	1	-	-	-	-	-	-	-	-
13	13		1700289-00		*** THIS ITEM IS NOT USED ***	-	-	-	-	-	-	-	-	-	-
14	14		3620218-07		LABEL,PC100	1	-	1	-	-	-	-	-	-	-
15	15		3620215-06		LABEL,PWR.RATING CT 120/220-240	1	1	-	-	-	-	-	-	-	-
16	16		3618460-06		LABEL,BAR CODE BLANK .50 X4.0	4	4	4	4	4	4	4	4	4	4
17	17		3616157-00		LABEL,CORRECT VOLTAGE SETTING,CA	1	1	-	-	-	-	-	-	-	-
18	18	E-UA-BA25-0-0	BA25 -A		SMALL SYSTEM UNIT ENCLOSURE	-	-	1	-	-	-	-	-	-	-
19	19	E-UA-RX50-0-DBU	RX50 -AA		DUAL 5.25" SINGLE SIDED FLOPPY D	-	-	1	-	-	-	-	-	-	-
20	20	E-UA-H7842-0-0	H7842-B		H7842-A EXCEPT 120V ONLY	-	-	1	-	-	-	-	-	-	-
21	21		3620215-08		LABEL,PWR.RATING CT 120V 3.	-	-	1	-	-	-	-	-	-	-
22	22		3621750-01		LABEL,PERMANENTLY SET FOR 120V	-	-	1	-	-	-	-	-	-	-
23	23		1700402-01		CABLE ASSY 16COND 26AWG 10'LG	1	1	1	1	1	1	1	1	1	1
24	24	E-UA-BA25-0-0	BA25 -CB		BA25-CA,RX50-AA,H7842-D,120/240V	-	-	-	1	1	1	1	1	1	1
25	25	D-IA-7427256-0-DBU	7427256-06		MEDALLION WITH SCRIPT,RAINBOW	-	-	-	1	1	1	1	1	1	1
26	26	D-AD-7019974-0-DBU	7019974-02		CPU ASSY, RAINBOW 100B LANG CL1	-	-	-	1	1	-	-	-	-	-
27	27	D-AD-7019974-0-DBU	7019974-03		CPU ASSY, RAINBOW 100B LANG CL2	-	-	-	-	-	1	-	-	-	-
28	28	D-AD-7019974-0-DBU	7019974-04		CPU ASSY, RAINBOW 100B LANG CL3	-	-	-	-	-	-	1	-	-	-
29	29	D-AD-7019974-0-DBU	7019974-05		CPU ASSY, RAINBOW 100B LANG CL4	-	-	-	-	-	-	-	1	-	-
30	30	D-AD-7019974-0-DBU	7019974-06		CPU ASSY, RAINBOW 100B LANG CL5	-	-	-	-	-	-	-	-	1	-

REVISION HISTORY			BASIC PART NO: PC100		DRN:	S. AZEVEDO	DATE:	DIGITAL			
ENG!	ECO NUMBER	REV	SECTION A OF A		CHK'D:	D. HEALY	DATE:	PARTS LIST			
---	INITIAL	A	SECTION VARIATION INDEX		CHK'D:	D. HEALY	DATE:	RAINBOW			
DD	PC100-ML001	B	[A]A ,AN,A1,B2,B3,B4,		DES.ENG:	D. MOORE	DATE:	DOCUMENT NUMBER			
FC	PC100-ML002	C	B5,B6,B7		RESP.ENG.:	F. CHALOUX	DATE:	SIZE	CODE	NUMBER	REV
FC	PC100-ML003	D	[B]		MFG.ENG.:	B. PORTER	DATE:	RELEASE DATE: 31-DEC-84			
FC	PC100-ML005	E	[C]		ASSEMBLY NUMBER:	E-UA-PC100-0-DBU	TOP DOCUMENT NUMBER:	FILE NAME:		EDIT #	
AJ	PC100-ML007	H	[D]				#B-DD-PC100-0	Z5232L.PLS		14	
AJ	PC100-ML008	J	[E]								
AJ	PC100-ML010	K	[F]								
AJ	PC100-ML0011	L									

"THIS DRAWING AND THE SPECIFICATIONS CONTAINED HEREIN ARE CONFIDENTIAL AND PROPRIETARY. THEY ARE THE PROPERTY OF DIGITAL EQUIPMENT CORPORATION AND SHALL NOT BE REPRODUCED OR COPIED OR USED IN WHOLE OR IN PART AS THE BASIS FOR THE MANUFACTURE OR SALE OF ITEMS WITHOUT WRITTEN PERMISSION. THIS IS AN UNPUBLISHED WORK PROTECTED UNDER THE FEDERAL COPYRIGHT LAWS."

LINE	ITEM	TOP DOCUMENT	PART NUMBER	MIN REV	DESCRIPTION	QTY PER VARIATION									
						A6	AN A6	A1 A2	B2 A2	B3 A3	B4 A2	B5 A2	B6 A2	B7 A2	
31	31		3620218-09		LABEL,PC100-B	-	-	-	1	1	1	1	1	1	
32	32		3620218-12		*** THIS ITEM IS NOT USED ***	-	-	-	-	-	-	-	-	-	
33	33		3617905-07		LABEL,EQUIP SET 100-120V ENG,FR,	-	-	-	1	-	-	-	-	-	
34	34		3617905-09		LABEL,EQUIP SET 220-240V ENG,FR,	-	-	-	-	1	-	-	-	1	
35	35		3617905-11		LABEL,EQUIP SET 220-240V ENG,SWD	-	-	-	-	-	-	1	1	-	
36	36		3617905-12		LABEL,EQUIP SET 220-240V ENG,FR,	-	-	-	-	-	1	-	-	-	
37	37	A-PA-3700695-0-0	3700695-05		PKG SMALL UNIT SYSTEM PC278/100	-	-	-	1	1	1	1	1	1	
38	38		3620215-09		*** THIS ITEM IS NOT USED ***	-	-	-	-	-	-	-	-	-	
39	39		1700318-02		CABLE ASSY,PC-100B MOTHERBOARD P	1	1	1	1	1	1	1	1	1	
40	40		3620215-13		LABEL,PWR.RATING CT PC278	-	-	-	1	1	1	1	1	1	

- 41 NOTE: 3620215-11 IS A REQUIRED ALTERNATE FOR ITEM 37 (WHEN MFG AT ZGO)
- 42 NOTE: 3620215-10 IS A REQUIRED ALTERNATE FOR ITEM 15 (WHEN MFG AT ZGO)
- 43 NOTE: 3620218-10 IS A REQUIRED ALTERNATE FOR ITEM 14 (WHEN MFG AT ZGO)
- 44 NOTE: 3620218-11 IS A REQUIRED ALTERNATE FOR ITEM 30 (WHEN MFG AT ZGO)
- 45 NOTE: 36-20215-12 IS REQUIRED FOR 3620215-13(WHEN MFG AT ZGO)

D I G I T A L	TITLE	SECTION A OF A	SIZE	CODE	DOCUMENT NUMBER	REV
	RAINBOW		K	PL	PC100-0-DBP	L

DRAWING NO.	NO. OF SHTS.	PART NO.	DESCRIPTION	REVISIONS																			
				A1	A2	A3	A4	A4	A5	A5	A6	A6	A6	A6									
		PC100-A	PERSONAL COMPUTER, Z80 & 8088 64KB RAM, 24x80/132 CHARACTERS, Rx50 FLOPPY, PRINTER PORT, ASYNC/ SYNC PORT, 120/240V																				
		PC100-AN	NON FCC COMPLAINT PC100-A, 120/240V	A1	A2	A3	A4	A4	A5	A5	A6	A6	A6	A5									
		PC100-A1	PC100-A EXCEPT 120V ONLY							A1	A2	A2	A2	A2									
		PC100-B2	PERSONAL COMPUTER, Z80 & 8088, 128KB RAM, 24x80/132 CHARACTERS, Rx50 FLOPPY, 120, ENGLISH-GERMAN- FRENCH									A1	A2	A2									
		PC100-B3	PERSONAL COMPUTER, Z80 & 8088, 128KB RAM, 24x80/132 CHARACTERS, Rx50 FLOPPY, PRINTER PORT, ASYNC/ SYNC PORT, 240V, ENGLISH-GERMAN- FRENCH									A1	A2	A3									
		PC100-B4	PERSONAL COMPUTER, Z80 & 8088, 128KB RAM, 24x80/132 CHARACTERS, Rx50 FLOPPY PRINTER PORT, ASYNC/SYNC PORT, 240V, ENGLISH-DUTCH-FRENCH									A1	A2	A2									

**NOTES:**

REVISION HISTORY		A	A	A	A	B	B	C	C	D	E	F
DATE	ECO NO.	INITIAL	ML001	ML002	ML003	ML004	ML005	ML006	ML007	ML008	ML010	ML011
										12 APR 84	30 NOV 84	31 DEC 84

THIS DRAWING AND THE SPECIFICATIONS CONTAINED HEREIN ARE CONFIDENTIAL AND PROPRIETARY. THEY ARE THE PROPERTY OF DIGITAL EQUIPMENT CORPORATION AND SHALL NOT BE REPRODUCED OR COPIED OR USED IN WHOLE OR IN PART AS THE BASIS FOR THE MANUFACTURE OR SALE OF ITEMS WITHOUT WRITTEN PERMISSION. THIS IS AN UNPUBLISHED WORK PROTECTED UNDER THE FEDERAL COPYRIGHT LAWS.



DRN.	D. HEALY	DATE	02 DEC 82	TITLE	RAINBOW		
CHK'D	D. HEALY	DATE	02 DEC 82	DOCUMENT NUMBER			
DES. ENG.	F. CHALOUX	DATE	02 DEC 82	SIZE	CODE	NUMBER	REV.
RESP. ENG.	F. CHALOUX	DATE	02 DEC 82	B	DD	PC100-0	F
MFG. ENG.	B. PORTER	DATE	02 DEC 82	SHEET 1 OF 2			

DRAWING NO.	NO. OF SHTS.	PART NO.	DESCRIPTION	REVISIONS													
				A1	A2	A2											
		PC100-B5	PERSONAL COMPUTER, Z80 & 8088, 128KB RAM, 24x80/132 CHARACTERS, Rx50 FLOPPY, PRINTER PORT, ASYNC/SYNC PORT, 240V, ENGLISH-FINNISH-SWEDISH												A1	A2	A2
		PC100-B6	PERSONAL COMPUTER, Z80 & 8088, 128KB RAM, 24x80/132 CHARACTERS, Rx50 FLOPPY, PRINTER PORT, ASYNC/SYNC PORT, 240V, ENGLISH-DANISH-NORWEGIAN												A1	A2	A2
		PC100-B7	PERSONAL COMPUTER, Z80 & 8088, 128KB RAM, 24x80/132 CHARACTERS, Rx50 FLOPPY, PRINTER PORT, ASYNC/SYNC PORT, 240V, ENGLISH-SPANISH-ITALIAN												A1	A2	A2
E-UA-PC100-0-DBU			RAINBOW	A	B	C	D	D	E	F	H	J	K	L			
K-PL-PC100-0-DBP			RAINBOW (PL)	A	B	C	D	D	E	F	H	J	K	L			
B-TC-PC100-0-1			RAINBOW (TC)	A	A	A	A	A	A	B	B	B	B	B			
A-SP-PC100-0-0			PC100-B SYSTEM SPECIFICATION					A	A	A	A	A	A	A			
MP-01491-00			RAINBOW PC100-B (MP)	REF	REF	REF	REF	REF	REF	REF	REF	REF	REF	REF	REF	REF	REF

NOTES:

DATE	ECO NO.	REV.	REVISION HISTORY														
			INITIAL	A	A	A	A	B	B	C	C	D	E	F			
				ML001													
				ML002													
				ML003													
				ML004													
				ML005													
				ML006													
				ML007													
12 APR 84				ML008													
30 NOV 84				ML010													
31 DEC 84				ML011													



TITLE  
RAINBOW

DOCUMENT NUMBER			
SIZE B	CODE DD	NUMBER PC100-0	REV. F
SHEET 2			OF 2



REV. F	NUMBER 5416206-0-0	DD DD	B B
--------	--------------------	-------	-----

DRAWING NO.	NO. OF SHTS.	PART NO.	DESCRIPTION	REVISIONS																			
				A	B	C	D	E	F	G	H	I	J	K	L	M	N	O	P	Q	R		
		5416206-01	PC100-B MOTHER BOARD	A	B1	B2	C1	C1	D1														
D-CS-5416206-0-1	11		PC100-B MOTHER BOARD	A	B	C	C	C	D														
E-UA-5416206-0-0	1		PC100-B MOTHER BOARD	A	B	B	B	B	C														
K-PL-5416206-0-DBP	4		PC100-B MOTHER BOARD	A	B	C	D	E	F														
K-PC-5416206-0-DBC			PC DESIGN DATA BASE	A	A	A	A	A	A														
		5016205-01	ETCHED CIRCUIT BOARD	C1	C1	C1	C1	C1	C1														
B-DD-5016205-0-0	1		DRAWING DIRECTORY	A	A	A	A	A	A														

**NOTES:**

REVISIONS		DATE	CHG NO.	INIT	REV.
		6-83			A
		8-83	ML001		B
		11-83	ML002		C
		1-84	ML003		D
		5-84	ML004		E
		9-85	ML005		F

"THIS DRAWING AND SPECIFICATIONS, HEREIN, ARE THE PROPERTY OF DIGITAL EQUIPMENT CORPORATION AND SHALL NOT BE REPRODUCED OR COPIED OR USED IN WHOLE OR IN PART AS THE BASIS FOR THE MANUFACTURE OR SALE OF ITEMS WITHOUT WRITTEN PERMISSION.

COPYRIGHT© 1983 DIGITAL EQUIPMENT CORPORATION



USED ON OPTION/MODEL	DRN.	DATE	TITLE
	PEG LENNON	27JUN83	PC100-B MOTHER BOARD
	CHK'D PEG LENNON	27JUN83	
	ENG. D. NELSON	27JUN83	
	PROD. L. HARDER	27JUN83	

SIZE	CODE	NUMBER	REV.
B	DD	5416206-0-0	F
SHEET 1 OF 1			

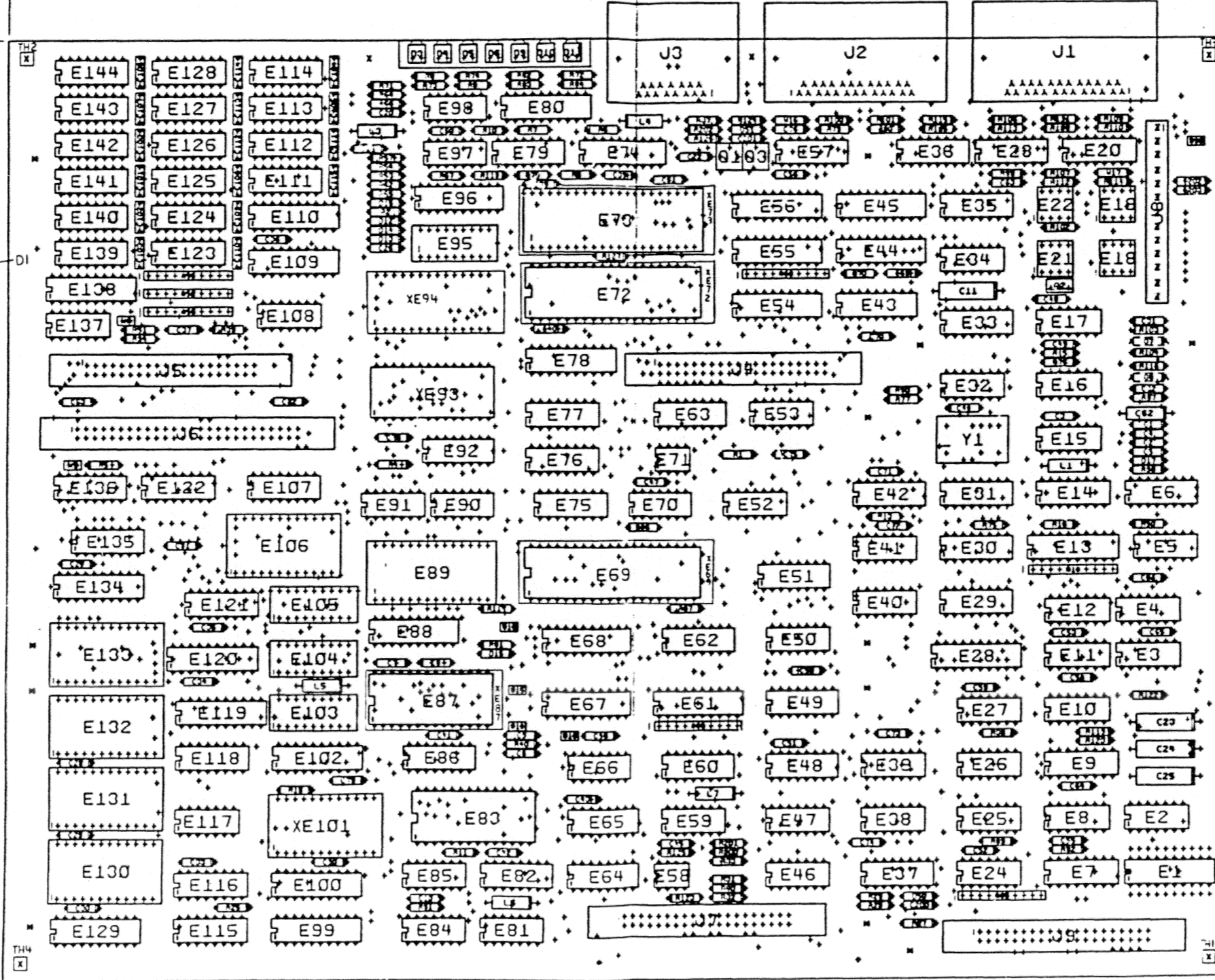
K

H  
F  
E  
D  
C  
B  
A

MARK PART REVISION NEAR  
OR NEXT TO 54 PART NO.

10.4<sup>+0.30</sup>  
-0.10  
264.6 MM  
F.C.S.

14.00<sup>+0.30</sup>  
-0.10  
355.6 MM  
F.C.S.

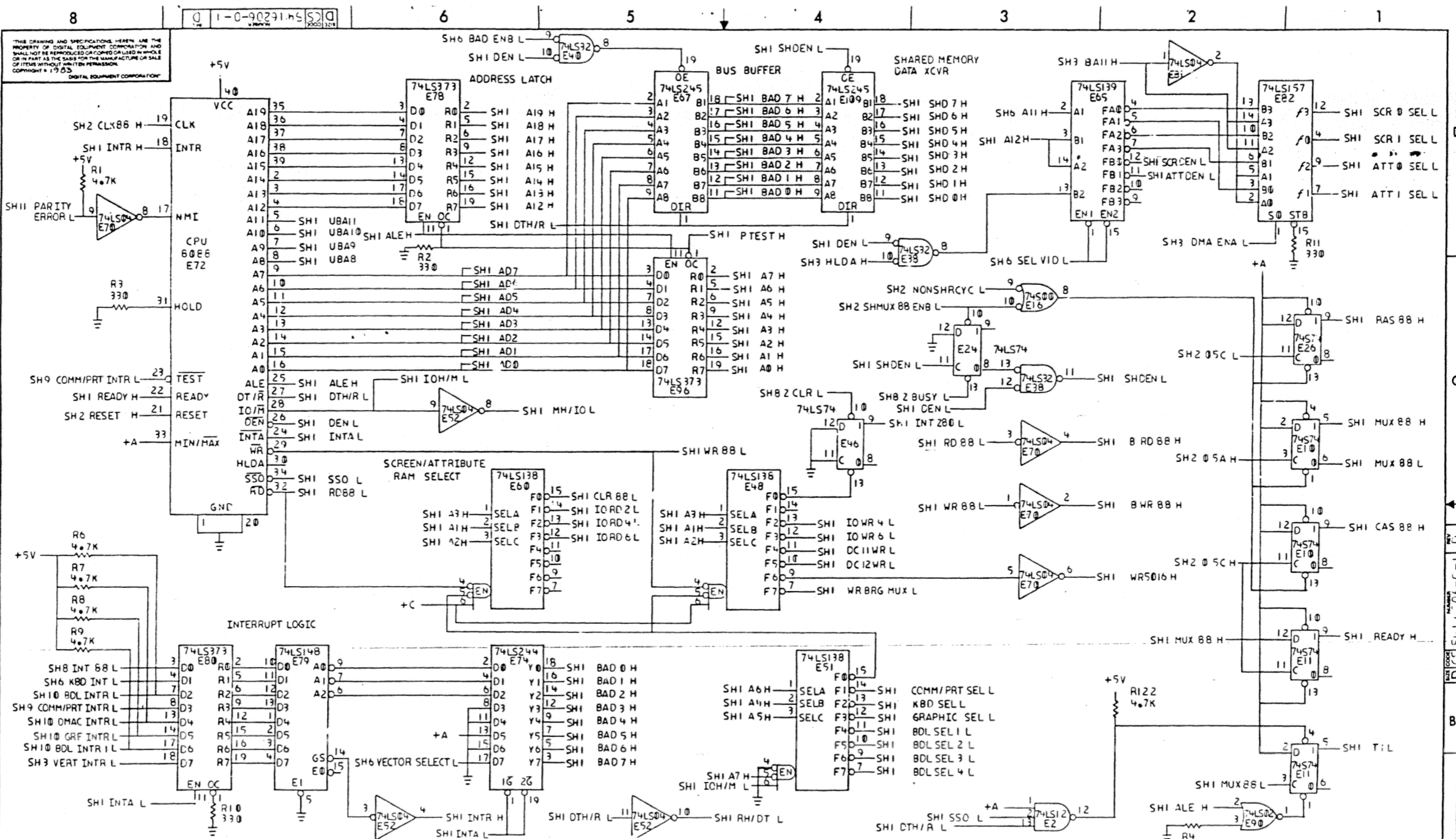


JOB NAME: 16206Y CL  
MIFDRW VERSION 7C(1) 12/13;OPTIONS: CHX/C/F/W1

DATE	BY	CHK'D	DATE	BY	CHK'D	DATE	BY	CHK'D
SIGNATURES			TITLE			SCALE		
DRN	CHK'D	PROJ. ENG.	DRN	CHK'D	PROJ. ENG.	DRN	CHK'D	PROJ. ENG.
MOTHE			MOTHE			MOTHE		
TOP DOC NO.			TOP DOC NO.			TOP DOC NO.		







REVISION HISTORY

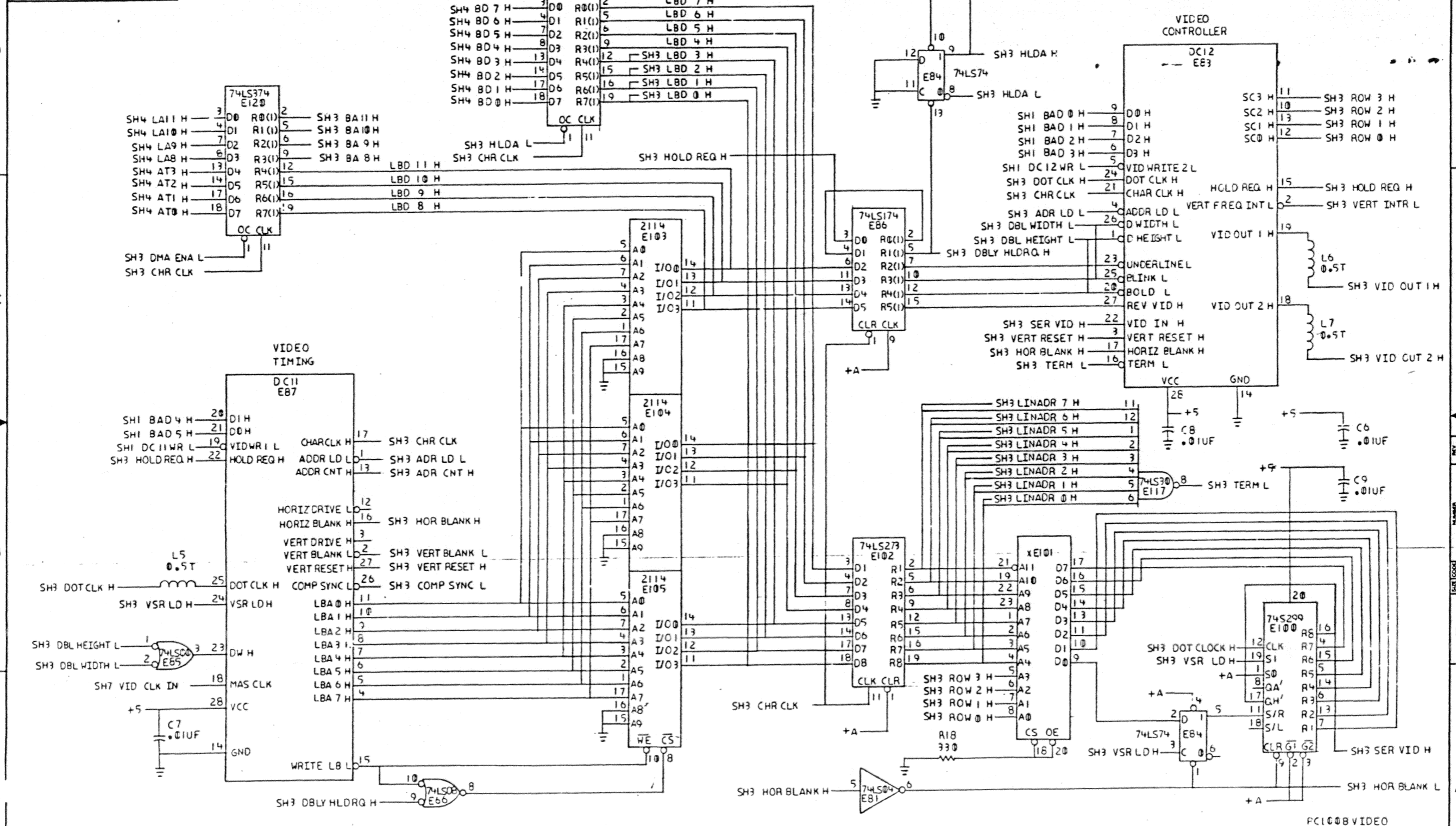
REV	DATE	DESCRIPTION
1	15/16/2006	INITIAL
2	08/09/06	B. ERICSON
3	15/06/06	AL JOHNS
4	11/18/05	AL JOHNS
5	02/22/05	AL JOHNS
6	02/22/05	AL JOHNS
7	02/22/05	AL JOHNS
8	02/22/05	AL JOHNS

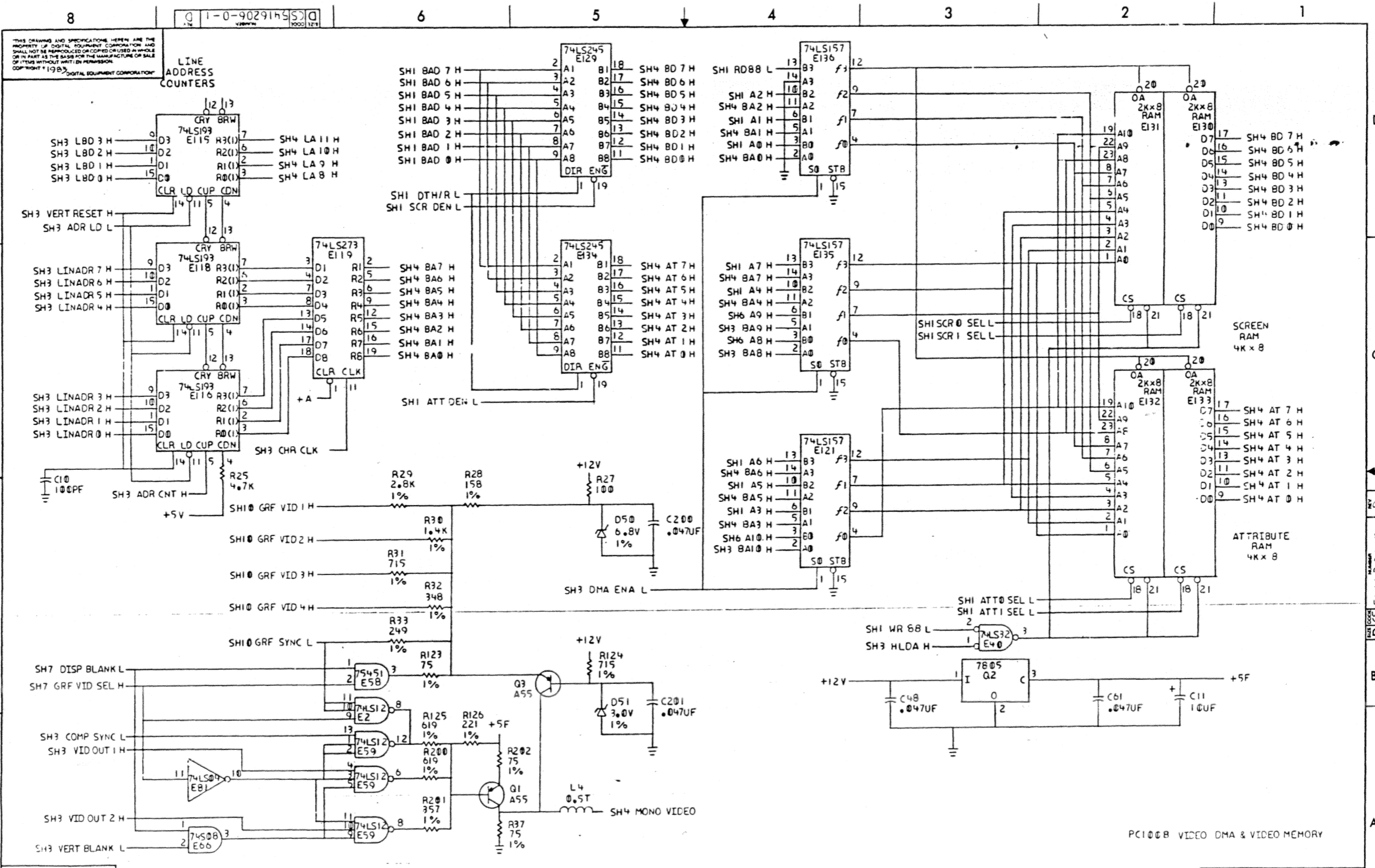
PC100B 8088 AND I/O DECODE

DESIGNED BY: <i>D. J. ...</i>	DATE: 11 MAY 83	TITLE: digital
CHECKED BY: <i>P. ...</i>	DATE: 6-30-83	PC100B MOTHER BOARD
DESIGNED BY: <i>H. ...</i>	DATE: 6-30-83	DOCUMENT NUMBER
DESIGNED BY: <i>H. ...</i>	DATE: 6-30-83	FILE CODE: D CS
DESIGNED BY: <i>H. ...</i>	DATE: 6-30-83	NUMBER: 5416206-0-1
DESIGNED BY: <i>H. ...</i>	DATE: 6-30-83	SCALE: 1 of 11
DESIGNED BY: <i>H. ...</i>	DATE: 6-30-83	SHEET: 1 of 11



THIS DRAWING AND SPECIFICATIONS HEREIN ARE THE PROPERTY OF DIGITAL EQUIPMENT CORPORATION AND SHALL NOT BE REPRODUCED OR COPIED OR USED IN WHOLE OR IN PART AS THE BASIS FOR THE MANUFACTURE OR SALE OF ITEMS WITHOUT WRITTEN PERMISSION. COPYRIGHT © 1983 DIGITAL EQUIPMENT CORPORATION

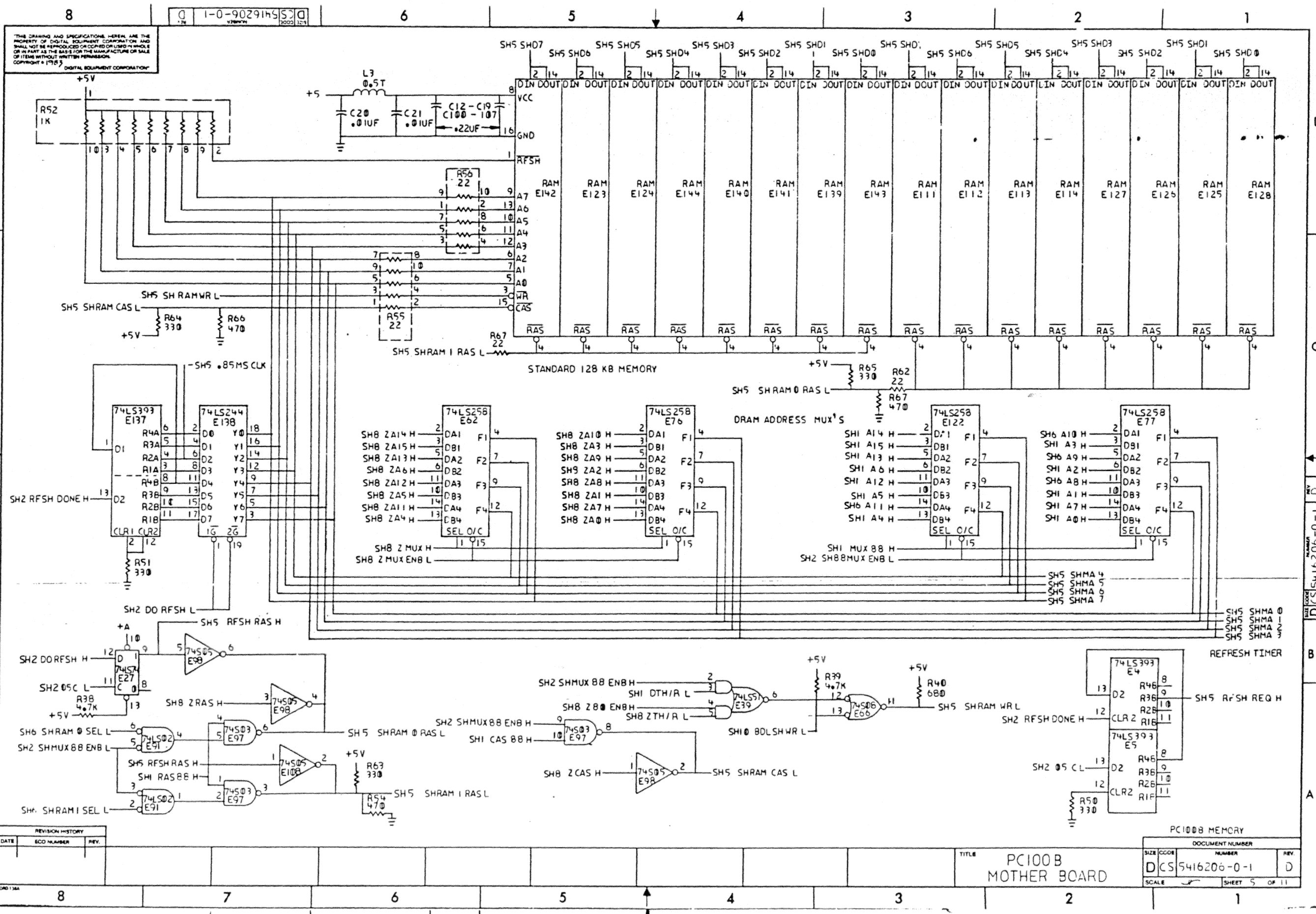




REVISION HISTORY		
DATE	ECO NUMBER	REV.

DOCUMENT NUMBER		
SIZE	NUMBER	REV.
D	CS 5416206-0-1	0
SCALE		SHEET 4 OF 11

TITLE  
**PCI00 B  
 MOTHER BOARD**

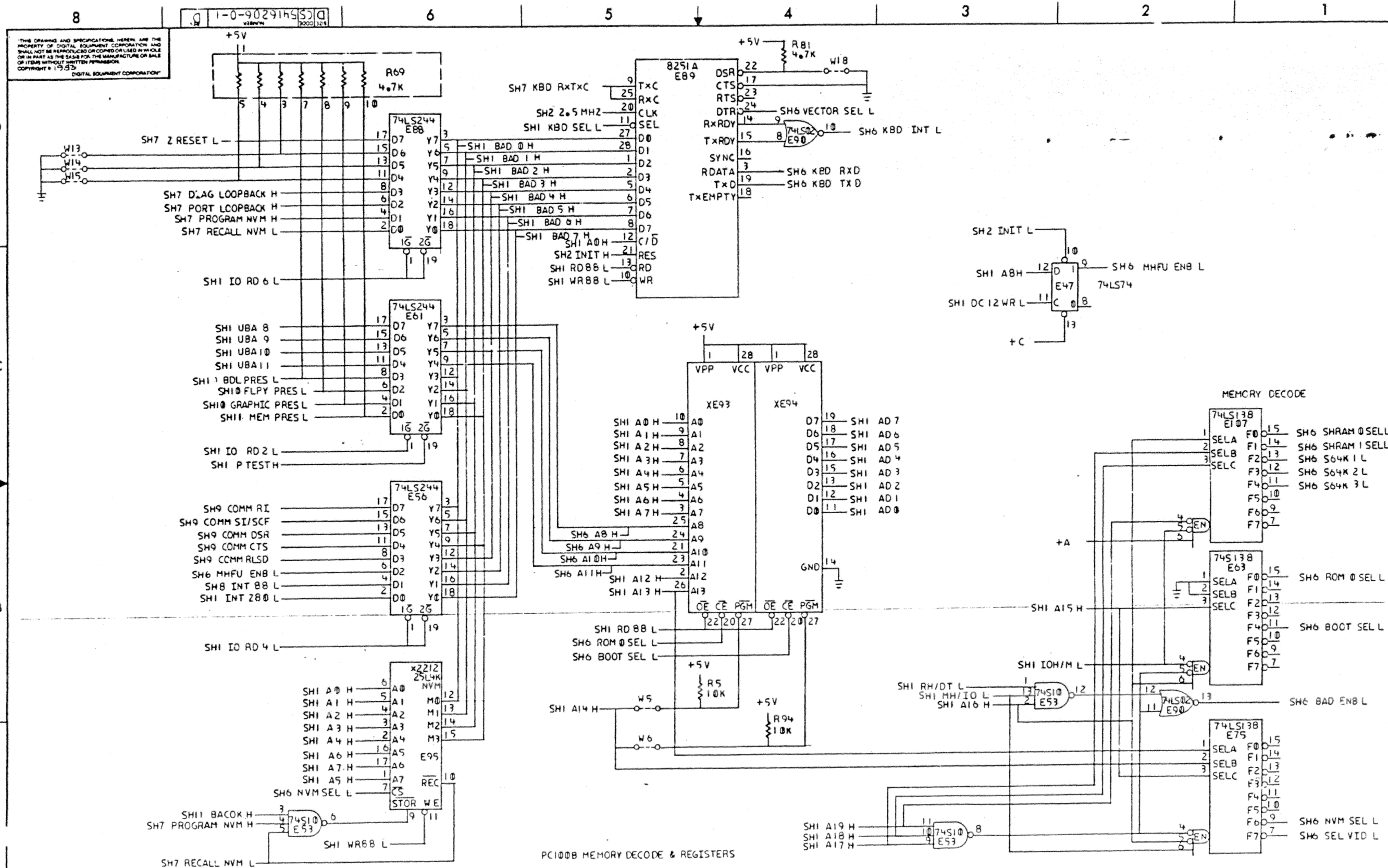


THIS DRAWING AND SPECIFICATIONS HEREIN ARE THE PROPERTY OF DIGITAL EQUIPMENT CORPORATION AND SHALL NOT BE REPRODUCED OR COPIED OR USED IN WHOLE OR IN PART AS THE BASIS FOR THE MANUFACTURE OR SALE OF ITEMS WITHOUT WRITTEN PERMISSION.  
 DIGITAL EQUIPMENT CORPORATION  
 COPYRIGHT © 1987

REVISION HISTORY		
DATE	ECO NUMBER	REV.

PC100B MEMORY			
DOCUMENT NUMBER			
SIZE	CODE	NUMBER	REV.
D	CS	5416206-0-1	D
SCALE		SHEET 5 OF 11	

TITLE  
 PC100B  
 MOTHER BOARD



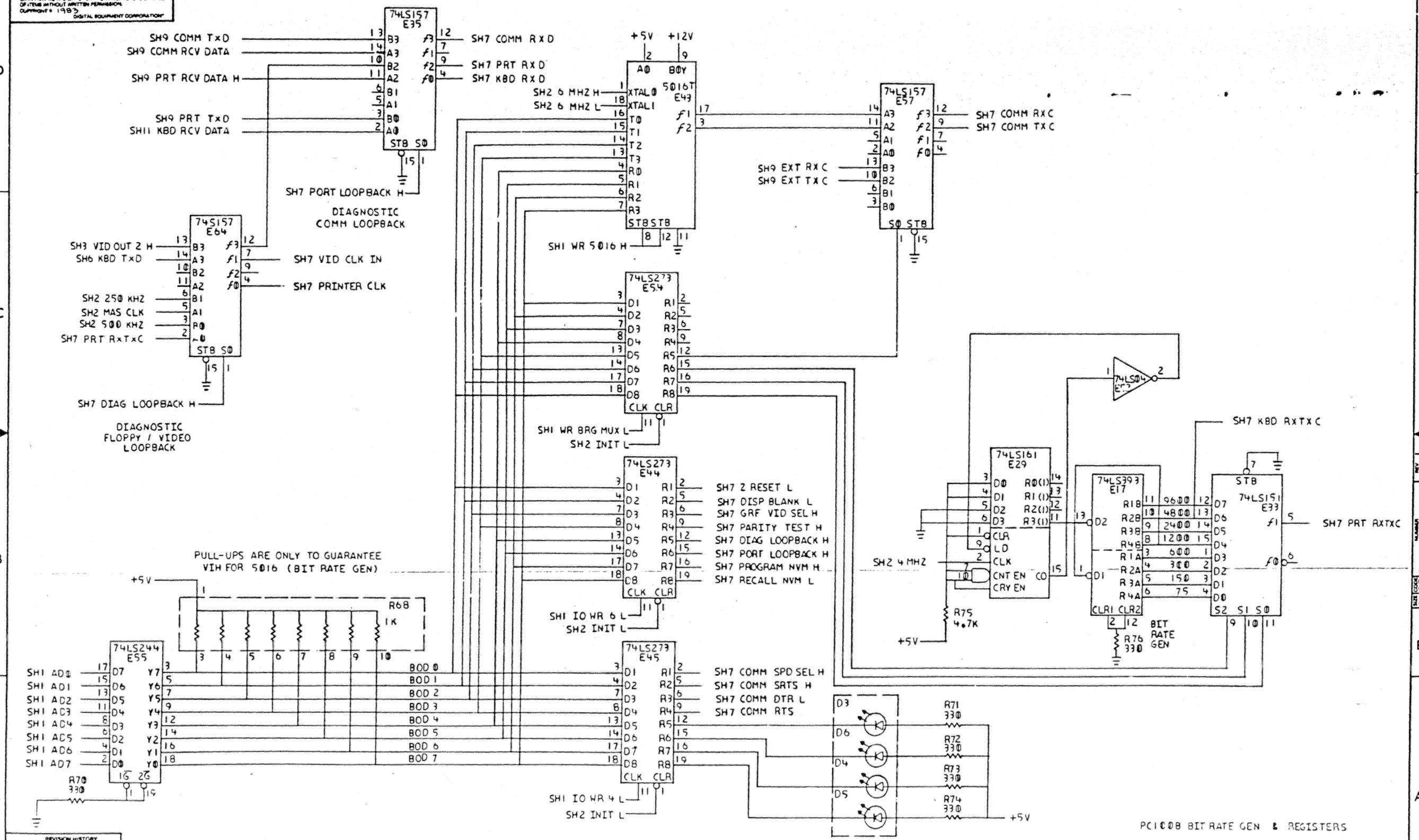
REVISION HISTORY		
DATE	ECO NUMBER	REV.

DOCUMENT NUMBER		
SIZE	CODE	NUMBER
D	CS	5416206-0-1
SCALE	SHEET	6 OF 11

TITLE  
PC100B  
MOTHER BOARD



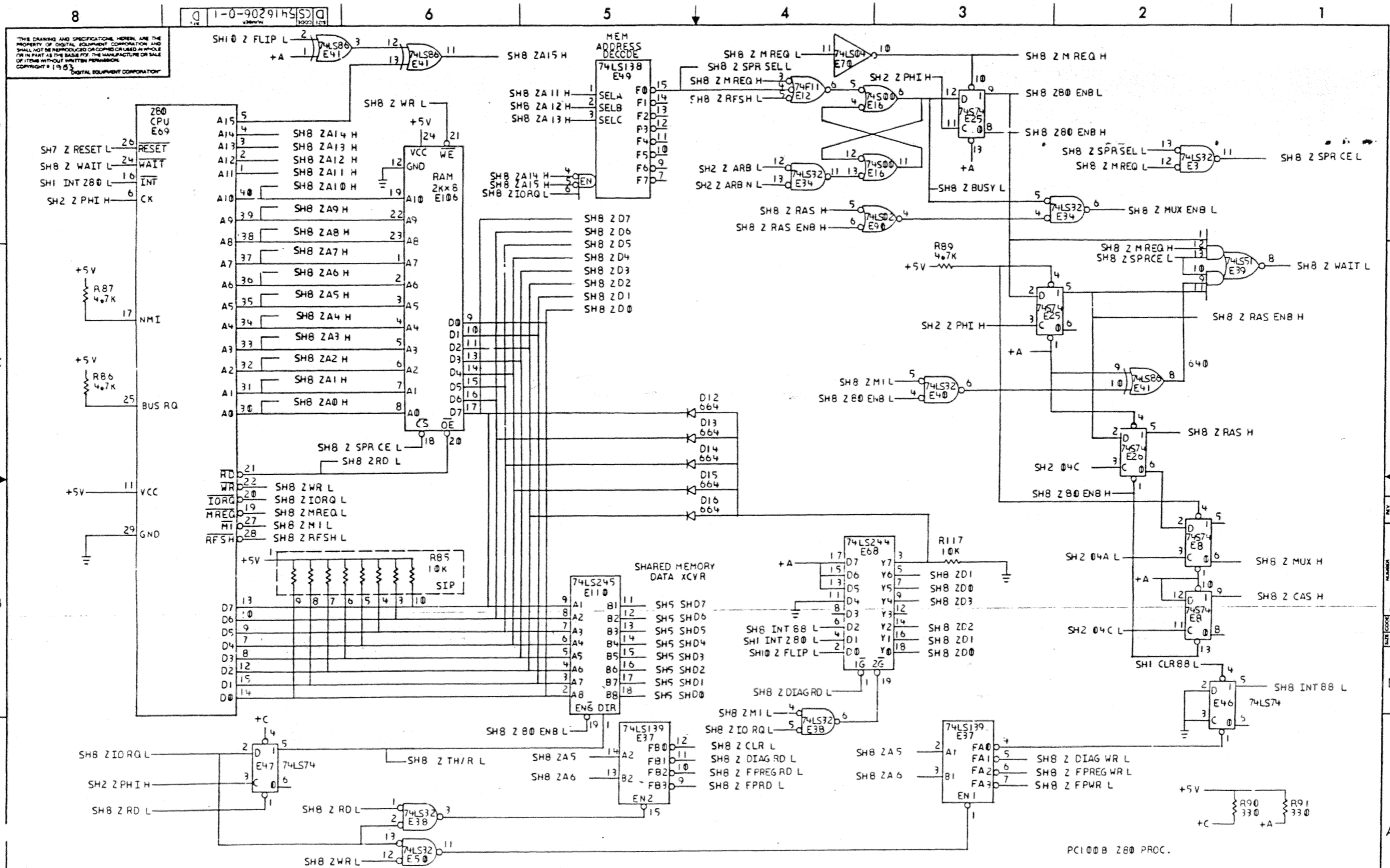
THIS DRAWING AND SPECIFICATIONS HEREIN ARE THE PROPERTY OF DIGITAL EQUIPMENT CORPORATION AND SHALL NOT BE REPRODUCED OR COPIED OR TRANSMITTED IN ANY FORM OR BY ANY MEANS, ELECTRONIC OR MECHANICAL, INCLUDING PHOTOCOPYING, RECORDING, OR BY ANY INFORMATION STORAGE AND RETRIEVAL SYSTEM, WITHOUT THE WRITTEN PERMISSION OF DIGITAL EQUIPMENT CORPORATION.  
COPYRIGHT © 1983



REVISION HISTORY		
DATE	ECO NUMBER	REV

TITLE		DOCUMENT NUMBER	
PC100B MOTHER BOARD		DCS 5416206-C-1	REV. 0
SCALE		SHEET 7 OF 11	

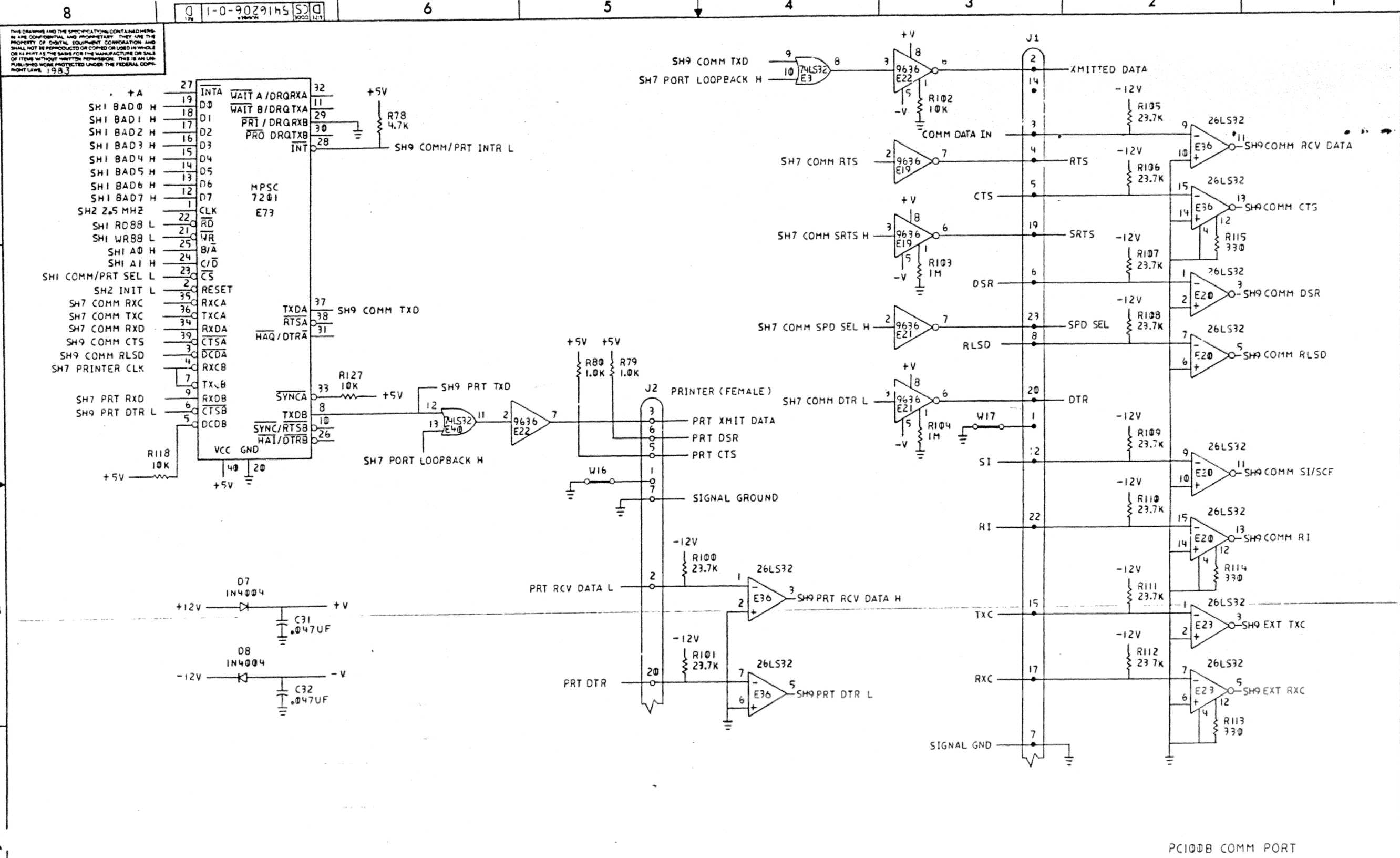
THIS DRAWING AND SPECIFICATIONS HEREIN ARE THE PROPERTY OF DIGITAL EQUIPMENT CORPORATION AND SHALL NOT BE REPRODUCED OR COPIED IN WHOLE OR IN PART AS THE BASIS FOR THE MANUFACTURE OR SALE OF ITEMS WITHOUT WRITTEN PERMISSION. COPYRIGHT © 1983 DIGITAL EQUIPMENT CORPORATION



REVISION HISTORY		
DATE	ECO NUMBER	REV

DOCUMENT NUMBER		
SIZE CODE	NUMBER	REV.
D	CS 5416206-0-1	0
SCALE	SHEET 8	OF 11

TITLE  
PC100B  
MOTHER BOARD



THIS DRAWING AND THE SPECIFICATIONS CONTAINED HEREIN ARE CONFIDENTIAL AND PROPRIETARY. THEY ARE THE PROPERTY OF DIGITAL EQUIPMENT CORPORATION AND SHALL NOT BE REPRODUCED OR COPIED OR USED IN WHOLE OR IN PART AS THE BASIS FOR THE MANUFACTURE OR SALE OF ITEMS WITHOUT WRITTEN PERMISSION. THIS IS AN UNPUBLISHED WORK PROTECTED UNDER THE FEDERAL COPYRIGHT LAWS, 1976.

REVISION HISTORY		
REV	ECO NUMBER	DATE

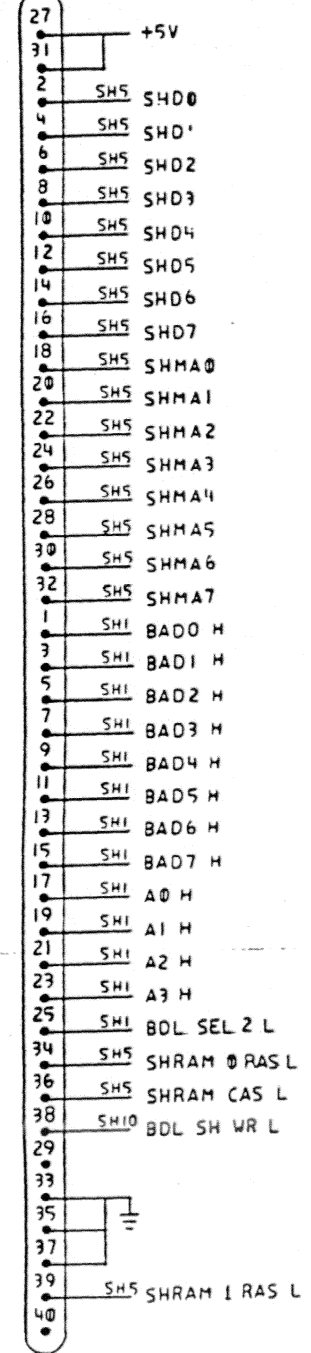
DOCUMENT NUMBER			
SIZE	CODE	NUMBER	REV
D	CS	5416206-0-1	D
SCALE		SHEET 9 OF 11	

TITLE  
PCI00B  
MOTHER BOARD

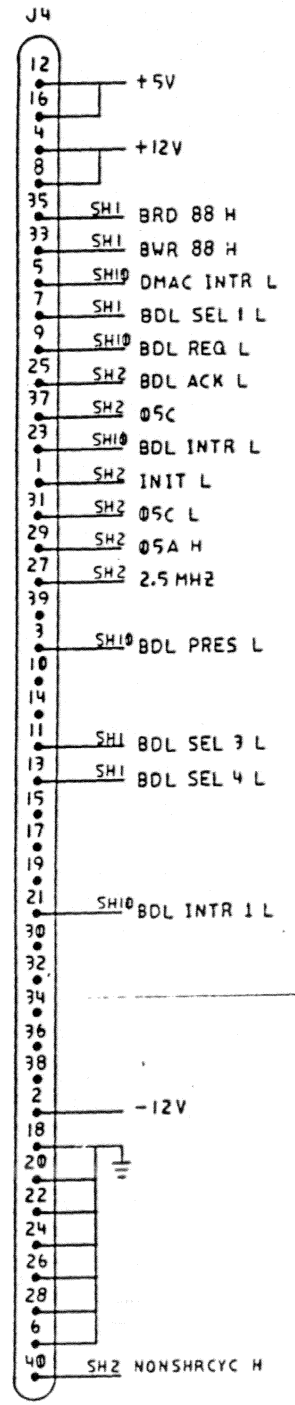
D E S I G N 5416206-0-1

THIS DRAWING AND THE SPECIFICATIONS CONTAINED HEREIN ARE CONFIDENTIAL AND PROPRIETARY. THEY ARE THE PROPERTY OF DIGITAL EQUIPMENT CORPORATION AND SHALL NOT BE REPRODUCED OR COPIED OR USED IN WHOLE OR IN PART AS THE BASIS FOR THE MANUFACTURE OR SALE OF ITEMS WITHOUT WRITTEN PERMISSION. THIS IS AN UNPUBLISHED WORK PROTECTED UNDER THE FEDERAL COPYRIGHT LAWS 1982.

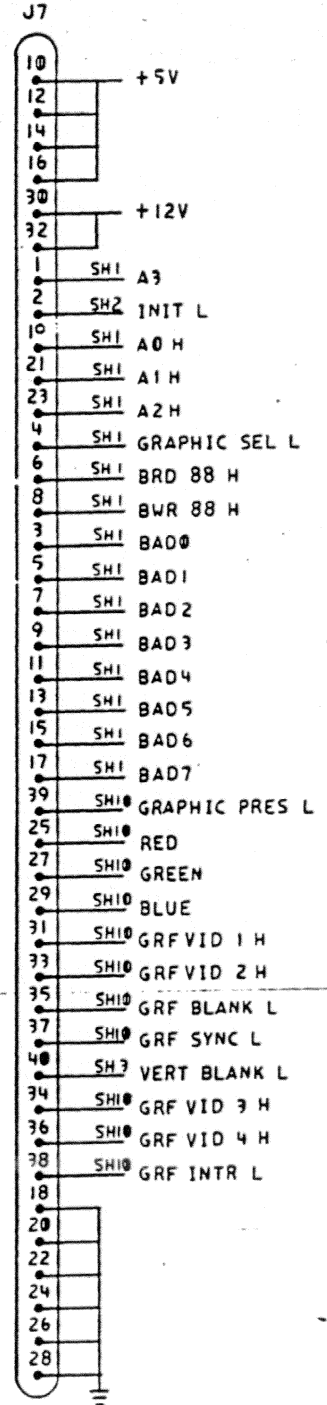
RIGHT CONN.  
J5 EXTENDED COMMS. CONNECTORS



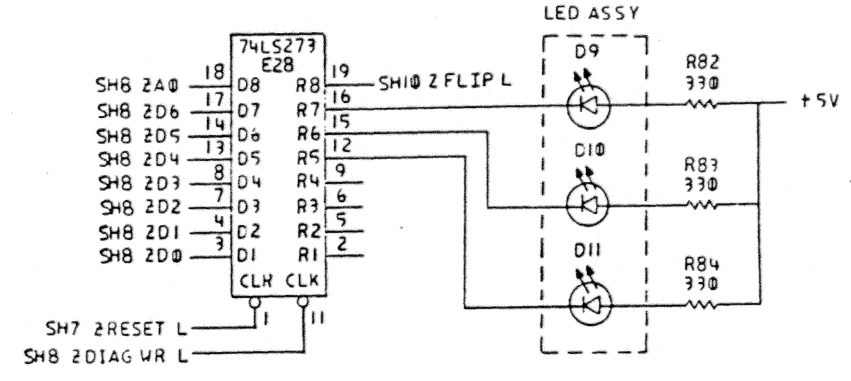
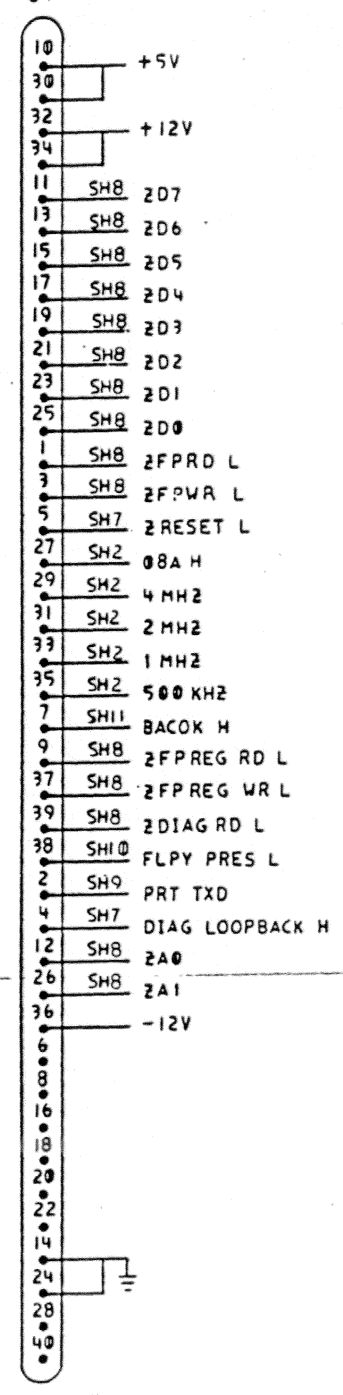
LEFT CONN.  
J4



GRAPHICS  
J7



RX50 CONTROLLER  
J9



PCI00B INTERCONNECT

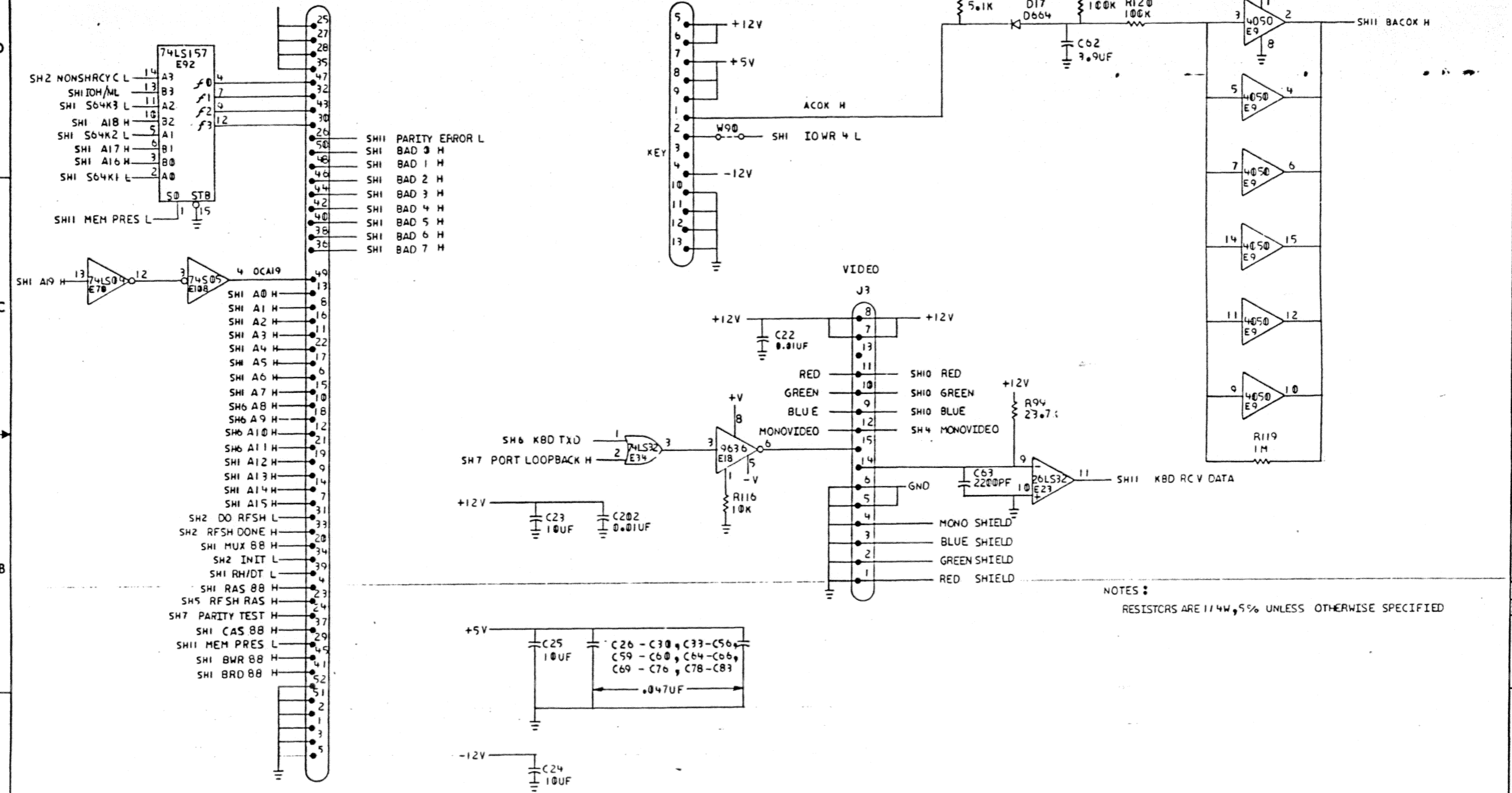
REVISION HISTORY		
REV	ECO NUMBER	DATE

TITLE  
PCI00B  
MOTHER BOARD

DOCUMENT NUMBER			
SIZE	CODE	NUMBER	REV
D	C	5416206-0-1	0
SCALE		SHEET 10 OF 11	

THE DRAWING AND SPECIFICATIONS HEREIN ARE THE PROPERTY OF DIGITAL EQUIPMENT CORPORATION AND SHALL NOT BE REPRODUCED OR COPIED OR USED IN WHOLE OR IN PART AS THE BASIS FOR THE MANUFACTURE OR SALE OF ITEMS WITHOUT WRITTEN PERMISSION. COPYRIGHT © 1985. DIGITAL EQUIPMENT CORPORATION

MEMORY OPTION CONN



NOTES:  
RESISTORS ARE 1/4W, 5% UNLESS OTHERWISE SPECIFIED

REVISION HISTORY		
DATE	ECO NUMBER	REV.

TITLE		DOCUMENT NUMBER	
PCI0CB MOTHER BOARD		DCS 54162C 6-0-1	
SCALE	SHEET	REV.	
	11 OF 11	D	

D:\CS\54162C\6-0-1

LINE ITEM	TOP DOCUMENT	PART NUMBER	MIN REV	DESCRIPTION	QTY	PER VARIATION	REFERENCE DESIGNATOR
				VARIATION REVISION LEVEL:	01		
					D1		
1	1	5016205-01		CIRCUIT DRILL AND ETCH	1		
2	2	1000064-00		3.9MFD 10V 10% S.TANT	1		C62
3	3	1001610-00		.01 MFD 50V +80-20% Z5U CER	12		C2-C9,C20,C21,C22,C202
4	4	1012784-00		.047 MFD 50V +80-20% CER	54		C1,C26-C56,C59-C61,C64-C66, CONT C69-C76,C78-C83,C200,C201
5	5	1013466-06		100.0 MMF 50V 5% CER	1		C10
6	6	1014265-00		.22 MFD 50V +80-20% CER	16		C100-C115
7	7	1013466-12		2200.0 MMF 50V 10% X7R CER	1		C63
8	8	1017472-00		10 MFD 35V +75-10% AL EL	4		C23-C25,C11
9	9	1100114-00		PIV= 25 IO=135 MA	6		D12-D17
10	10	1105796-00		PIV= 400 IO= 1.00A 1N4004 DO-41	2		D7,D8
11	11	1120306-02		LED,RED 7 GANGED	1		D3-D6,D9-D11
12	12	1109991-01		VZ= 6.8 1% 400 MW D	1		D50
13	13	1105871-01		VZ= 3.0 1% 250 MW	1		D51
14	14	1215006-03		*** THIS ITEM IS NOT USED ***	-		
15	15	1215006-06		SKT,IC 24PIN DIP TIN SOLD	1		XE101
16	16	1215006-07		SKT,IC 28PIN DIP TIN SOLD	3		XE87,XE93,XE94
17	17	1215006-08		SKT,IC 40PIN DIP TIN SOLD	3		XE69,XE72,XE73
18	18	1215901-05		PCB,HEADER 02PIN(1X02).100CC STR	7		W13-W15,W90,W18,W5,W6
19	19	1220365-02		CONN,D SUB 15PIN ASSY 90D	1		J3
20	20	1220365-03		CONN,D SUB 25PIN ASSY 90D	1		J1
21	21	1220399-04		CONN,D SUB 25SKT ASSY RT ANGLE	1		J2
22	22	1215699-05		PCB,HEADER 12POS(1X13).156CC STR	1		J8
23	23	1219066-00		*** THIS ITEM IS NOT USED ***	-		
24	24	1219066-03		PCB HEADER 52PIN(2X26).100CC STR	1		J6
25	25	1300295-00		330.0 .25 W 5.0 % CF	26		R3,R4,R10,R11,R16,R64,R65,R18, CONT R50,R51,R70,R113-R115,R2,R76, CONT R90,R91,R71-R74,R82-R84,R53 R66,R67,R54 R79,R80
26	26	1300316-00		470.0 .25 W 5.0 % CF	3		
27	27	1300365-00		1.0 K .25 W 5.0 % CF	2		

REVISION HISTORY			BASIC PART NO: 5416206			DRN: M FUNARO		DATE: 15-JUN-83		D I G I T A L				
ENG	ECO NUMBER	REV	SECTION A OF A		CHK'D:	DICK BARRIERE		DATE: 27-JUN-83		TITLE PARTS LIST				
---	INITIAL	A	SECTION VARIATION INDEX		DES.ENG:	D. NELSON		DATE: 27-JUN-83		DOCUMENT NUMBER				
					RESP.ENG.:	D. NELSON		DATE: 27-JUN-83		SIZE	CODE	NUMBER	REV	
					MFG.ENG.:	L. HARDER		DATE: 27-JUN-83		RELEASE DATE: 01-OCT-85				
					ASSEMBLY NUMBER:	E-UA-5416206-0-0		TOP DOCUMENT NUMBER:	B-DD-5416206-0-0		FILE NAME:	Z6723F.PLS		EDIT #
												29		
			[A]	01										
BE	5416206-ML001	B	[A]	01										
B.E	5416206-ML002	C	[B]											
DN	5416206-ML003	D	[C]											
AJ	5415486.ML004	E	[D]											
AJ	5416206-ML005	F	[E]											
			[F]											
			[H]											
			[J]											
			[K]											
			[L]											
			[M]											
			[N]											

"THIS DRAWING AND THE SPECIFICATIONS CONTAINED HEREIN ARE CONFIDENTIAL AND PROPRIETARY. THEY ARE THE PROPERTY OF DIGITAL EQUIPMENT CORPORATION AND SHALL NOT BE REPRODUCED OR COPIED OR USED IN WHOLE OR IN PART AS THE BASIS FOR THE MANUFACTURE OR SALE OF ITEMS WITHOUT WRITTEN PERMISSION. THIS IS AN UNPUBLISHED WORK PROTECTED UNDER THE FEDERAL COPYRIGHT LAWS."

LINE	ITEM	TOP DOCUMENT	PART NUMBER	MIN REV	DESCRIPTION	VARIATION	REVISION LEVEL	QTY	PER VARIATION	REFERENCE DESIGNATOR
								01		
								D1		
28	28		1300447-00		4.70 K	.25 W 5.0 %	CF	19		R1,R6-R9,R92,R25,R122,R15,R13, CONT R89,R38,R39,R75,R77,R78,R81,R86, CONT R87
29	29		1300479-00		10.0 K	.25 W 5.0 %	CF	7		R102,R117,R116,R118,R127,R5,R94
30	30		1301424-00	680.0		.25 W 5.0 %	CF	1		R40
31	31		1301969-00	22.0		.25 W 5.0 %	CF	2		R62,R57
32	32		1309595-00	1.0 M		.25 W 5.0 %	CF	3		R103,R104,R119
33	33		1312930-00	5.10 K		.25 W 5.0 %	CF	1		R98
34	34		1302466-00	100.0 K		.25 W 5.0 %	CF	2		R97,R120
35	35		1313597-00	23.70 K		.25 W 1.0 %	RN55D-F10	11		R100,R101,R105-R112,R99
36	36		1316334-02		R NETWORK	9-10K	2.0 % 10PIN	1		R85
37	37		1316395-00		R NETWORK	9-4.7K	2.0 % 10PIN	1		R69
38	38		1316334-01		R NETWORK	5-22	+2 0HM 10PIN	2		R55,R56
39	39		1316395-02		R NETWORK	9-1.0K	2.0 % 10PIN	3		R14,R52,R68
40	40		1303064-00	75.0		.25 W 1.0 %	RN55D-F10	3		R37,R123,R202
41	41		1300229-00	100.0		.25 W 5.0 %	CF	1		R27
42	42		1313584-00	158.0		.25 W 1.0 %	RN55D-F10	1		R28
43	43		1319531-01	221.0		.25 W 1.0 %	RN55D-F10	1		R126
44	44		1317404-00	249.0		.25 W 1.0 %	RN55D-F10	1		R33
45	45		1304858-00	348.0		.25 W 1.0 %	RN55D-F10	1		R32
46	46		1318341-25	357.0		.25 W 1.0 %	RN550-F10	1		R201
47	47		1305126-00	619.0		.25 W 1.0 %	RN55D-F10	2		R125,R200
48	48		1316839-00	715.0		.25 W 1.0 %	RN55D-F10	2		R31,R124
49	49		1313589-00	1.40 K		.25 W 1.0 %	RN55D-F10	1		R30
50	50		1305145-00	2.80 K		.25 W 1.0 %	RN55D-F10	1		R29
51	51		1510706-00		XA 55	PNP 500MW SI 60 50 P		2		Q1,Q3
52	52		1618238-02		BEAD,FERRITE	.1380DX.330LG		5		L3-L7
53	53		1618437-00		BEAD,FERRITE	.23600X.394LG		1		L1
54	54		1814830-00		OSCILLATOR, XTAL	24.073 MHZ		1		Y1
55	55		1910406-00		75451	DRIVER,PERIPH,DUAL,		1		E58
56	56		1910532-00		74S00	NAND GATE-QUAD 2IN		2		E15,E16
57	57		1910533-00		74S03	NAND GATE-QUAD 2IN,0		1		E97
58	58		1910535-00		74S05	INVERTER GATE-HEX 1		2		E98,E108
59	59		1910536-00		74S10	NAND GATE-TRIPLE 3IN		1		E53
60	60		1910544-00		74S74	FF-D DUAL,EDGE TRIGG		6		E8,E10,E11,E25,E26,E32
61	61		1910548-00		74S157	MUX 1 OF 2 (QUAD)		2		E42,E64
62	62		1910957-00		74S175	FF-D QUAD COMMON CLO		2		E14,E31
63	63		1912389-00		74S08	AND GATE-QUAD 2IN,PO		1		E66
64	64		1912536-01		7805	VOLT REG,FIX +5V		1		Q2
65	65		1912697-00		LS174	FF-D HEX W/CLEAR		1		E86
66	66		1912799-00		LS00	NAND-GATE-QUAD 2IN,P		1		E85
67	67		1912801-00		LS02	NOR-GATE-QUAD 2IN		2		E90,E91
68	68		1912803-00		LS04	INVERTER GATE,HEX		3		E52,E70,E81
69	69		1912815-00		LS30	NAND GATE-SINGLE 8IN		1		E117
70	70		1912816-00		LS32	OR GATE-QUAD 2IN,POS		5		E3,E34,E38,E40,E50
71	71		1912820-00		LS51	A-O-I GATE 2-WIDE 2I		1		E39
72	72		1912824-00		LS74	FF-D DUAL,EDGE TRIGG		5		E24,E27,E46,E47,E84
73	73		1912829-00		LS86	X-OR GATE-QUAD 2IN		1		E41

DI	GI	TA	L	TITLE	PC 100-B MOTHER BD	SECTION A	OF A	SIZE	CODE	DOCUMENT NUMBER	REV
								K	PL	5416206-0-DBP	F

LINE	ITEM	TOP DOCUMENT	PART NUMBER	MIN REV	DESCRIPTION	QTY	PER VARIATION	REFERENCE DESIGNATOR
						01		
						D1		
74	74		1912842-00		LS138 DECODER-THREE INPUT,	6		E48,E49,E51,E60,E75,E107
75	75		1912843-00		LS139 DECODER, 2 OF 4(DUAL	2		E37,E65
76	76		1912844-00		LS151 MUX 1 OF 8 & DATA	1		E33
77	77		1912847-00		LS157 MUX 1 OF 2(QUAD)	7		E35,E57,E82,E92,E121,E135,E136
78	78		1912849-00		LS161 COUNTER,SYNCHR,4BIT	2		E7,E29
79	79		1912853-00		LS175 FF-D QUAD	2		E6,E30-
80	80		1912854-00		LS193 COUNTER,SYNCHR,4BIT,	3		E115,E116,E118
81	81		1912859-00		LS258 MUX 1 OF 2 (DUAL),	4		E62,E76,E77,E122
82	82		1912863-00		LS273 FF-D OCTAL W/CLEAR	6		E28,E44,E45,E54,E102,E119
83	83		1914084-00		74S299 SHIFT REG.,8BIT RIGH	1		E100
84	84		1914214-00		LS374 FF-D OCTAL EDGE TRIG	2		E99,E120
85	85		1914423-01		CUSTOM LSI-BIPOLAR LS	1		E87
86	86		1914424-01		CUSTOM LSI-BIPOLAR L	1		E83
87	87		1914451-00		LS393 COUNTER,BINARY,4BIT	4		E4,E5,E17,E137
88	88		1915123-03		26LS32-3 RECEIVER,LINE RS232	3		E20,E23,E36
89	89		1915193-00		LS244 DRIVER,LINE,OCTAL,TR	7		E55,E56,E61,E68,E74,E88,E138
90	90		1915218-00		LS245 TRANSCEIVER,BUS,OCTA	5		E67,E109,E110,E129,E134
91	91		1915219-00		LS373 FF-D OCTAL-TRANSPARE	3		E78,E80,E96
92	92		1915415-00		9636 DRIVER,DUAL,EIA RS-	4		E18,E19,E21,E22
93	93		1916028-01		9643 DRIVER,TTL TO MOS,D	1		E71
94	94		1919018-00		LS148 PRIORITY ENCODER,8 T	1		E79
95	95		1920460-01		LS12 NAND GATE 3-IN	2		E2,E59
96	96		1921310-01		74F11 AND GATE,TRIPLE,3-IN	1		E12
97	97		2112623-03		DUAL BAUD RATE GEN/PROG DIVIDER	1		E43
98	98		2113107-01	F	8251A PUSART COMM. INTERFA	1		E89
99	99		2113628-00		4050B BUFFER/CONVERTER GAT	1		E9
100	100		2114212-00	P	2114-2 RAM,1024X4,STATIC	3		E103-E105
101	101		2117872-01		RAM 2KX8 I/O MUXD 20	5		E106,E130-E133
102	102		2118470-01		4864-1 MOS RAM 64K X1,200	16		E111-E114,E123-E128,E139-E144
103	103		2118856-00		CONTROLLER,MULTI-PROTOCOL SERIAL	1		E73
104	104		2119148-00		Z80A MICROPROCESSOR 40PIN	1		E69
105	105		2119533-01		8088 MICROPROCESSOR 5MHZ	1		E72
106	106		2120263-01		2212 RAM 256X4 NON-VOLATI	1		E95
107	107		23013E5-00		*** THIS ITEM IS NOT USED ***	-		
108	108		23020E3-00		*** THIS ITEM IS NOT USED ***	-		
109	109		23090B1-00		B1-03	1		E13
110	110		9006732-00		EYELET,ROLLED 0.1210DX0.219	6		
111	111		9009185-00		JUMPER, WIRE, INSULATED, BLACK B	2		W16,W17
112	112		9107560-01		WIRE,BUSS 22AWG TIN BARE	A/R		
113	113		1911675-00		74S138 DECODER/DEMUX 3-8 LI	1		E63
114	114		23014E5-00		*** THIS ITEM IS NOT USED ***	-		
115	115		23037E3-00		*** THIS ITEM IS NOT USED ***	-		
116	116		23019E5-00		*** THIS ITEM IS NOT USED ***	-		
117	117		23022E5-00		*** THIS ITEM IS NOT USED ***	-		
118	118		1219066-08		/REPLACED BY 12-19066-00	4		J4,J5,J7,J9

D	I	G	I	T	A	L	TITLE	PC 100-B MOTHER BD	SECTION A	OF A	SIZE	CODE	DOCUMENT NUMBER	REV
											K	PL	5416206-0-DBP	F



LINE ITEM	TOP DOCUMENT	PART NUMBER	MIN REV	DESCRIPTION	QTY PER VARIATION 01	REFERENCE DESIGNATOR
				VARIATION REVISION LEVEL:	D1	

- 119 NOTE: P/N 21-18472-01 IS AN ALT. FOR PRIME P/N 21-18470-01. MIXING OF ALT. AND PRIME PARTS NOT ALLOWED.
- 120 NOTE: P/N 21-18467-01 AN ALT. FOR P/N 21-18470-01. MIXING OF ALT. AND PRIME PARTS NOT ALLOWED.
- 121 NOTE: P/N 2118472-02, 2118467-02, AND 2118470-02 IS AND ALT. PART FOR PRIME P/N 2118470-01.
- 122 NOTE: MIXING OF PRIME AND ALT. PARTS ON A SINGLE BOARD IS NOT ALLOWED.
- 123 NOTE: MIXING OF ALT. PARTS ON A SINGLE BOARD IS NOT ALLOWED.

D I G I T A L	TITLE PC 100-B MOTHER BD	SECTION A OF A	SIZE K	CODE PL	DOCUMENT NUMBER 5416206-0-DBP	REV F
---------------	-----------------------------	----------------	-----------	------------	----------------------------------	----------

LINE ITEM	TOP DOCUMENT	PART NUMBER	MIN REV	DESCRIPTION	QTY PER VARIATION							
					00	01	02	03	04	05	06	07
VARIATION REVISION LEVEL:					E3	B3	B3	B3	B3	B3	B3	A1
1	1	B-DD-5415486-0	5415486-01	F	PC100 MOTHERBOARD	1	-	-	-	-	-	-
2	2	E-MD-7427719-0-DBU	7427719-01	B	KEEL,SUPPORT,RAINBOW 100	1	1	-	-	-	-	1
3	3	D-AD-7019941-0-DBU	7019941-00		CONN. PANEL ASSY.	1	1	-	-	-	-	1
4	4		9010411-01		SCREW,THD RL,FLAT PHIL F/PLAS	2	2	-	-	-	-	2
5	5		9008451-05		*** THIS ITEM IS NOT USED ***	-	-	-	-	-	-	-
6	6		9010099-00		*** THIS ITEM IS NOT USED ***	-	-	-	-	-	-	-
7	7		9000049-44		SCREW,SEMS PAN PHIL 4-	3	3	-	-	-	-	3
8	8		9009948-00		WASHER,FLAT NYLON	1	1	-	-	-	-	1
9	9		9009321-00		*** THIS ITEM IS NOT USED ***	-	-	-	-	-	-	-
10	10		9006010-01		SCREW,MACH PAN PHIL 4-	1	1	-	-	-	-	1
11	11		1219857-01		STANDOFF,NYLON	11	11	-	-	-	-	11
12	12	D-MD-7428524-0-DBU	7428524-01		CONNECTOR,FASTENER,RAINBOW 100	1	1	-	-	-	-	1
13	13	B-DD-5416206-0	5416206-01	D	PC100-B MOTHER BOARD	-	1	-	-	-	-	1
14	14	D-AD-7019974-0-DBU	7019974-01	B	CPU ASSY RAINBOW 100B W/O ROM	-	-	1	1	1	1	-
15	15		23020E5-00		E5-02	-	-	1	-	-	-	-
16	16		23015E5-00		E5-02	-	-	-	1	-	-	-
17	17		23016E5-00		E5-02	-	-	-	-	1	-	-
18	18		23017E5-00		E5-02	-	-	-	-	-	1	-
19	19		23018E5-00		E5-02	-	-	-	-	-	-	1
20	20	A-PA-3700705-0-0	3700705-06		PKG CPU 701997X	REF	REF	REF	REF	REF	REF	REF
21	21	A-PA-3700705-0-0	3700705-01		PKG CPU 701997X	REF	REF	REF	REF	REF	REF	REF
22	22	D-MD-7428702-0-DBU	7428702-02		RESTRAINT,PC BOARD	1	1	-	-	-	-	1
23	23		9008451-06		SCREW,LOCK,STANDOFF ONLY .060TH	6	6	-	-	-	-	6
24	24		4901223-00		ADHESIVE, ANAEROBIC, RESIN BASE	A/R	A/R	-	-	-	-	A/R
25	25		3623792-01		LABEL,INSTALLED SPECIAL OPTION	-	-	-	-	-	-	1
26	26		23074E5-00		E5-01,E5-02 ROM	-	-	-	-	-	-	1
27	27		23073E5-00		E5-01,E5-02 ROM	-	-	-	-	-	-	1
28	28		3623793-01		LABEL,RED DOT	-	-	-	-	-	-	2
29	29		3623793-03		LABEL,YELLOW DOT	-	-	-	-	-	-	1
30	30		23063E3-00		E3-03	-	-	-	-	-	-	1

REVISION HISTORY			BASIC PART NO: 7019974			DRN: D. HEALY			DATE: 24-AUG-82			D I G I T A L		
ENG	ECO NUMBER	REV	SECTION A OF A	CHK'D:	D. HEALY	DATE:	18-OCT-82	TITLE	PARTS LIST					
---	INITIAL	A	SECTION VARIATION INDEX	CHK'D:	D. HEALY	DATE:	18-OCT-82	CPU ASSY, RAINBOW 100						
FC	7019974-ML001	B	[A]00,01,02,03,04,05,	DES.ENG:	D. DICKLEMAN	DATE:	18-OCT-82	DOCUMENT NUMBER						
FC	7019974-ML002	C	06,07	RESP.ENG.:	F. CHALOUX	DATE:	18-OCT-82	SIZE CODE NUMBER	REV					
FC	7019974-ML003	D	[B]	MFG.ENG.:	L. HARDER	DATE:	18-OCT-82	K PL	7019974-0-DBP	K				
AJ	7019974-ML004	E	[C]	ASSEMBLY NUMBER:	B-DD-PC100-0-0	TOP DOCUMENT NUMBER:	D-AD-7019974-0-DBU	RELEASE DATE:	09-OCT-85	FILE NAME:	Z5346K.PLS	EDIT #	4	
AJ	7019974-ML005	F	[D]											
AJ	7019974-ML006	H	[E]											
AJ	7019974-ML007	J	[F]											
AJ	7019974-ML008	K												

"THIS DRAWING AND THE SPECIFICATIONS CONTAINED HEREIN ARE CONFIDENTIAL AND PROPRIETARY. THEY ARE THE PROPERTY OF DIGITAL EQUIPMENT CORPORATION AND SHALL NOT BE REPRODUCED OR COPIED OR USED IN WHOLE OR IN PART AS THE BASIS FOR THE MANUFACTURE OR SALE OF ITEMS WITHOUT WRITTEN PERMISSION. THIS IS AN UNPUBLISHED WORK PROTECTED UNDER THE FEDERAL COPYRIGHT LAWS."

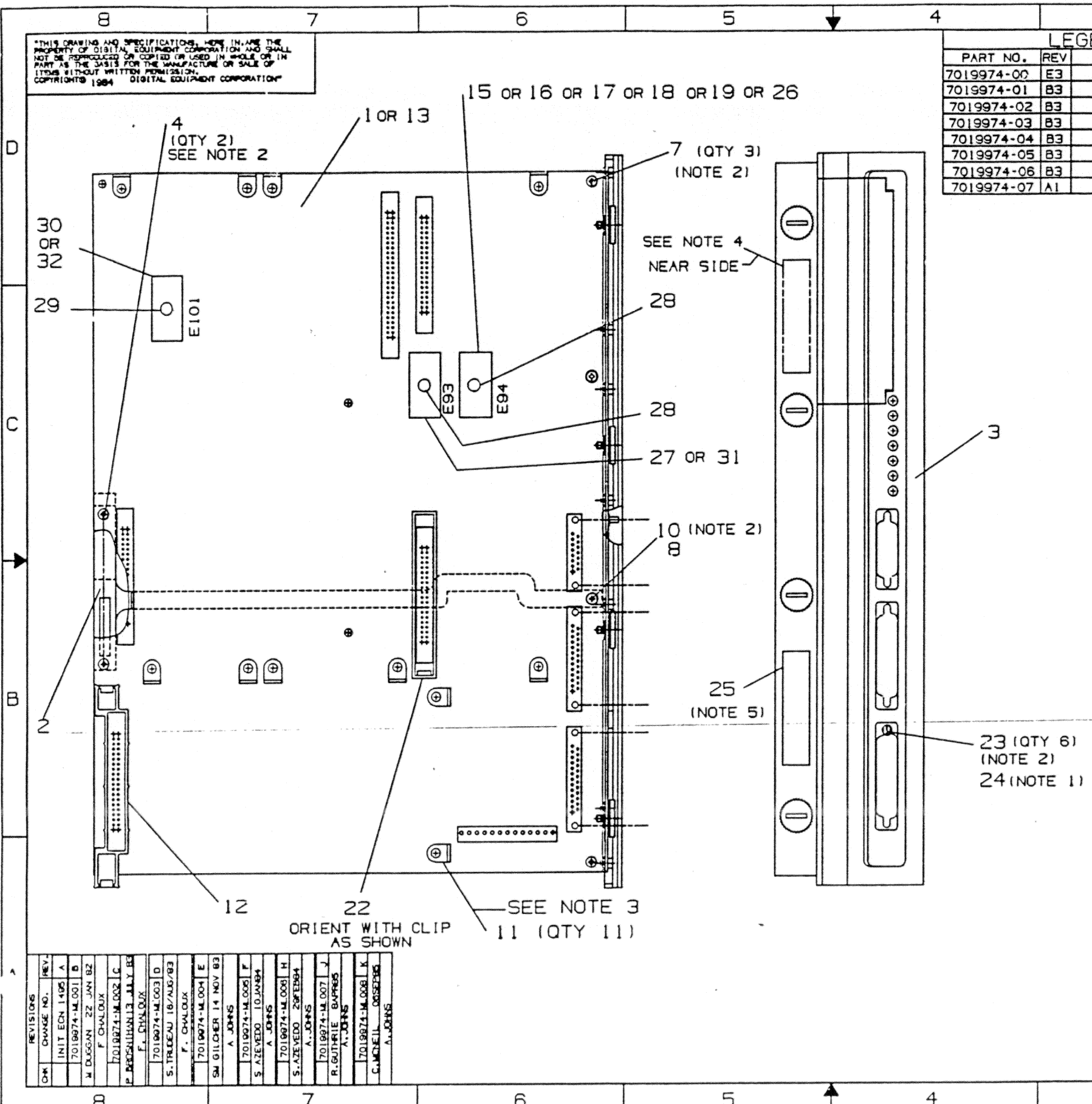
LINE ITEM	TOP DOCUMENT	PART NUMBER	MIN REV	DESCRIPTION	QTY PER VARIATION								
					00	01	02	03	04	05	06	07	
					VARIATION REVISION LEVEL:								
					E3	B3	B3	B3	B3	B3	B3	B3	A1
31	31	23022E5-00		E5-02	-	1	-	-	-	-	-	-	-
32	32	23037E3-00		E3-03	-	1	-	-	-	-	-	-	-

D I G I T A L	TITLE	CPU ASSY, RAINBOW 100	SECTION A OF A	SIZE	CODE	DOCUMENT NUMBER	REV
				K	PL	7019974-0-DBP	K

THIS DRAWING AND SPECIFICATIONS HEREIN ARE THE PROPERTY OF DIGITAL EQUIPMENT CORPORATION AND SHALL NOT BE REPRODUCED OR COPIED OR USED IN WHOLE OR IN PART AS THE BASIS FOR THE MANUFACTURE OR SALE OF ITEMS WITHOUT WRITTEN PERMISSION. COPYRIGHT © 1984 DIGITAL EQUIPMENT CORPORATION

LEGEND		
PART NO.	REV	VARIATION
7019974-00	E3	AS SHOWN
7019974-01	B3	AS SHOWN
7019974-02	B3	AS SHOWN
7019974-03	B3	AS SHOWN
7019974-04	B3	AS SHOWN
7019974-05	B3	AS SHOWN
7019974-06	B3	AS SHOWN
7019974-07	A1	AS SHOWN

- NOTES:
1. APPLY ITEM #24 TO ITEM #23 BEFORE ASSY.
  2. TORQUE REQUIREMENTS:  
A) ITEM 4, 4-5 IN-LBS.  
B) ITEM 7, 7-8 IN-LBS.  
C) ITEM 23, 5-6, IN-LBS.  
D) ITEM 10, 4-5 IN-LBS.
  3. FOR -00 VAR. 1219857-01, ADDITIONAL STANDOFF, FOR GRAPHICS OPTION CAN ONLY BE INSTALLED ON ETCH REV "F" OR HIGHER OF 5415486-01.
  4. PART TO BE MARKED WITH PART NUMBER, PART REVISION AND VENDOR PER DEC STD 178 IN THE DESIGNATED AREA.
  5. LOCATE LABEL CENTRAL BETWEEN THUMB SCREWS.
  6. REF DES SHOWN (EX:E93, E94,E101) REFER TO D-CS-5416206-0-1.



CAUTION: OFF SHEET PARTS LIST EXISTS SEE: K-PL-7019974-0-DBP

REV	CHG	NO.	DATE	BY
A	INIT	1495		
B		7019974-M.001		
B2		7019974-M.002		
C		7019974-M.003		
D		7019974-M.003		
E		7019974-M.004		
F		7019974-M.005		
G		7019974-M.006		
H		7019974-M.007		
I		7019974-M.008		
J		7019974-M.009		
K		7019974-M.008		
L		7019974-M.008		

DESCRIPTION	DRAWING NO.	PART NO.	ITEM NO.
UNLESS OTHERWISE SPECIFIED DIMENSIONS ARE IN INCHES AND THE FOLLOWING TOLERANCES APPLY (PER DEC STD 114)			
INCHES TOLERANCES	ANGLES ±0° 30'	APPLICABLE DIMENSION RANGE	
		OVER 12.0	OVER 12.0
±.01	±.01	±.01	±.01
±.005	±.005	±.005	±.005
±.002	±.002	±.002	±.002
±.001	±.001	±.001	±.001
±.0005	±.0005	±.0005	±.0005
THIRD ANGLE PROJECTION	DATE	TITLE	
	27 AUG 82	CPU ASSY RAINBOW 100	
DO NOT SCALE DRAWING	DATE	DOCUMENT NUMBER	
REMOVE BURRS AND BREAK SHARP CORNERS	27 AUG 82	D AD 7019974-0-DBU K	
MATERIAL SEE PARTS LIST	DATE	SCALE	REV.
FINISH NONE	27 AUG 82	1/1	K
	D-AD-7019974-0-DBU		

D AD 7019974-0-DBU K

DRAWING NO.	NO. OF SHTS.	PART NO.	DESCRIPTION	REVISIONS															
				A	B	C	D												
		5415482-00	PC100 RX50 CONTROLLER	A	B	C	D												
E-UA-5415482-0-0	1		PC100 RX50 CONTROLLER	A	B	C	D												
D-CS-5415482-0-1	2		PC100 RX50 CONTROLLER	A	B	C	D												
K-PL-5415482-0-DBP	2		PC100 RX50 CONTROLLER	A	B	C	D												
K-PC-5415482-0-DBC			P.C. DESIGN DATA BASE	B	B	C	C												
B-DD-5015481-0-0	1		DRAWING DIRECTORY	-	-	A	B												
K-SP-5415482-0 - DBP	22		PC100 RX50 CONTROLLER SPEC.	-	-	-	A												

**NOTES:**

REVISIONS		DATE	CHG NO.	INT.	REV.	A	B	C	D
		7/82							
		1/83	ML001						
		3/83	ML002						
		6-83	ML003						

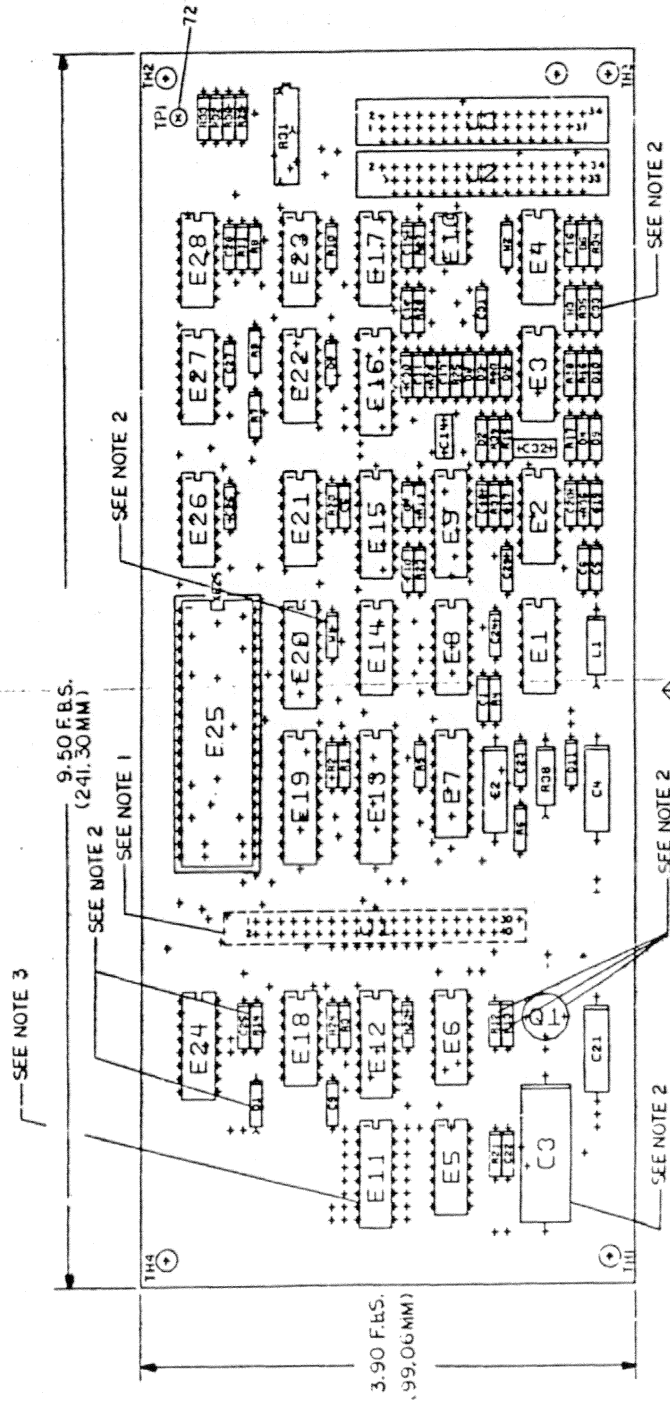
"THIS DRAWING AND SPECIFICATIONS, HEREIN, ARE THE PROPERTY OF DIGITAL EQUIPMENT CORPORATION AND SHALL NOT BE REPRODUCED OR COPIED OR USED IN WHOLE OR IN PART AS THE BASIS FOR THE MANUFACTURE OR SALE OF ITEMS WITHOUT WRITTEN PERMISSION.  
 COPYRIGHT © 1982 DIGITAL EQUIPMENT CORPORATION



USED ON OPTION/MODEL	PC100	DRN. J. COTE	13JUL82	TITLE	PC100 RX50 CONTROLLER			
		CHK'D J. COTE	13JUL82	SIZE	CODE	NUMBER	REV.	
		ENG. D. LEBLANC	13JUL82	B	DD	5415482-0	D	
		PROD. E. TOMPKINS	13JUL82	SHEET 1 OF 1				

5415482-0-0

A B C D E F H J



NOTES: 1. J1 IS MOUNTED ON SIDE 2.  
2. J2, J3, J4, J5, J6, J7, J8, J9, J10, J11, J12, J13, J14, J15, J16, J17, J18, J19, J20, J21, J22, J23, J24, J25, J26, J27, J28, J29, J30, J31, J32, J33, J34, J35, J36, J37, J38, J39, J40, J41, J42, J43, J44, J45, J46, J47, J48, J49, J50, J51, J52, J53, J54, J55, J56, J57, J58, J59, J60, J61, J62, J63, J64, J65, J66, J67, J68, J69, J70, J71, J72, J73, J74, J75, J76, J77, J78, J79, J80, J81, J82, J83, J84, J85, J86, J87, J88, J89, J90, J91, J92, J93, J94, J95, J96, J97, J98, J99, J100.

STEP	REP	Y AXIS	X AXIS	STEP	TIMES
1					
2					
3					

CHANGE NO. REV.

NO.	DESCRIPTION	DATE	BY	CHKD.
1	INITIAL RELEASE	1972		
2	REVISION			
3				
4				
5				

ETCH REV. CL-P1

NO.	DESCRIPTION	DATE	BY	CHKD.
1	INITIAL RELEASE	1972		
2	REVISION			
3				
4				
5				

5415482-0-0

digit

TITLE PC00 R

CONTROL

DATE	BY	CHKD.
1972		
1972		
1972		
1972		

1 OF 1

SIZE CODE

E UA

5415482-0-0

NEXT HIGHER DES. B-00-5415482-0-0

A B C D E F H J

LINE	ITEM	DOCUMENT NUMBER	PART NUMBER	DESCRIPTION	QTY	PER VARIATION	REFERENCE DESIGNATOR
					00		
1	1	D-MD-5015481-0-0	5015481-00	CIRCUIT DRILL & ETCH	1		
2	2		1000022-00	270.0 MMF 100V 5%200PPM MICA	1		C32
3	3		1001610-00	.01 MFD 50V +80-20% Z5U CER	10	CONT	C5,C6,C8,C11,C12,C13,C16,C17, C19,C20
4	4		1001631-00	390.0 MMF 100V 5%200PPM MICA	1		C14
5	5		1005306-00	6.8MFD 35V 10% S.TANT	1		C2
6	6		1012084-03	*** THIS ITEM IS NOT USED ***	-		
7	7		1012784-00	.047 MFD 50V +80-20% CER	10		C22-C31
8	8		1013466-04	33.0 MMF 50V 5% CER	1		C15
9	9		1013466-06	100.0 MMF 50V 5% CER	2		C1,C10
10	10		1013466-07	220.0 MMF 50V 5% CER	1		C7
11	11		1013466-19	470.0 MMF 50V 5% CER	1		C18
12	12		1013466-27	820.0 MMF 50V 5% X7R CER	1		C9
13	13		1017472-00	10 MFD 35V +50-10% AL EL	2		C4,C21
14	14		1102421-01	DEC 753 VZ= 6.2 1% .40W	1		D6
15	15		1110488-00	*** THIS ITEM IS NOT USED ***	-		
16	16		1110994-00	1N 751A VZ= 5.1 5% .40W	1		D11
17	17		1111577-00	1N 4454 TR= 4NS PIV= 50 S	6		D2-D5,D7,D9
18	18		1215006-02	*** THIS ITEM IS NOT USED ***	-		
19	19		1215006-08	SKT,IC 40PIN DIP TIN SOLD	1		XE25
20	20		1219065-00	*** THIS ITEM IS NOT USED ***	-		
21	21		1219952-01	*** THIS ITEM IS NOT USED ***	-		
22	22		1300229-00	100.0 .25 W 5.0 % CF	1		R20
23	23		1300250-00	150.0 .25 W 5.0 % CF	5		R7-R11
24	24		1300274-00	220.0 .50 W 5.0 % CF	1		R38
25	25		1300309-00	390.0 .25 W 5.0 % CF	1		R24
26	26		1300365-00	1.0 K .25 W 5.0 % CF	6		R6,R15,R16,R21,R22,R37
27	27		1300444-00	3.90 K .25 W 5.0 % CF	2		R4,R23
28	28		1300447-00	*** THIS ITEM IS NOT USED ***	-		
29	29		1300479-00	10.0 K .25 W 5.0 % CF	3		R1-R3

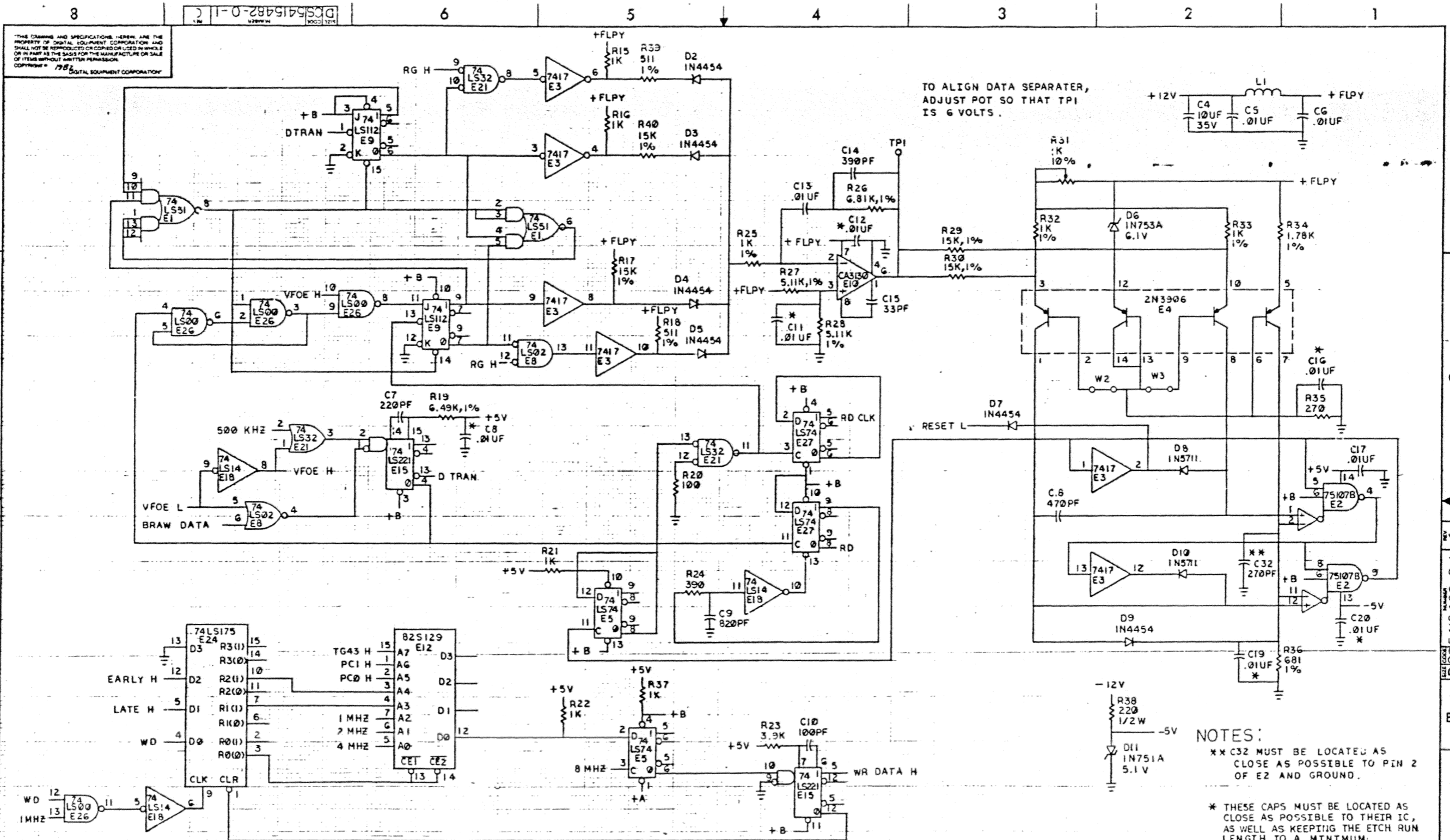
REVISION HISTORY			BASIC PART NO: 5415482			D I G I T A L			
ENG!	ECO NUMBER	REV	SECTION A OF A	DRN:	R.Z. BUREAU	DATE:	31-MAR-82	TITLE	PARTS LIST
	INITIAL	A	SECTION VARIATION INDEX	CHK'D:	J. LEPKOWSSKI	DATE:	31-MAR-82	PC100 RX50 CONTROLLER	
DL	5415482-ML001	B	[A] 00	DES.ENG:	DAN LEBLANC	DATE:	12-JUL-82	DOCUMENT NUMBER	
DL	5415482-ML002	C	[B]	RESP.ENG.:	DAN LEBLANC	DATE:	12-JUL-82	SIZE	CODE
			[C]	MFG.ENG.:	ED TOMPKINS	DATE:	12-JUL-82	K	PL
			[D]	ASSEMBLY NUMBER:	D-UA-5415482-0-0	TOP DOCUMENT NUMBER:	#D-B3-5415482-0	NUMBER	REV
			[E]	FILE NAME:	Z4363C.PLS	EDIT #:	21		
			[F]						
			[H]						
			[J]						
			[K]						
			[L]						
			[M]						
			[N]						

"THIS DRAWING AND SPECIFICATIONS HEREIN, ARE THE PROPERTY OF DIGITAL EQUIPMENT CORPORATION AND SHALL NOT BE REPRODUCED OR COPIED OR USED IN WHOLE OR IN PART AS THE BASIS FOR THE MANUFACTURE OR SALE OF ITEMS WITHOUT WRITTEN PERMISSION. COPYRIGHT (C) 1983. DIGITAL EQUIPMENT CORPORATION "

LINE	ITEM	DOCUMENT NUMBER	PART NUMBER	DESCRIPTION	QTY PER VARIATION 00	REFERENCE DESIGNATOR
30	30		1301972-00	270.0 .25 W 5.0 % CF	1	R35
31	31		1302395-00	*** THIS ITEM IS NOT USED ***	-	
32	32		1302411-00	511.0 .25 W 1.0 % RN55D-F10	2	R18,R39
33	33		1302612-00	1.78 K .25 W 1.0 % RN55D-F10	1	R34
34	34		1302872-00	681.0 .25 W 1.0 % RN55D-F1	1	R36
35	35		1303114-00	1.0 K .25 W 1.0 % RN55D-F10	3	R25,R32,R33
36	36		1304854-00	5.11 K .25 W 1.0 % RN55D-F10	2	R27,R28
37	37		1304870-00	6.81 K .25 W 1.0 % RN55D-F10	1	R26
38	38		1309143-07	1.0 K .75 W10.0 % POT	1	R31
39	39		1313752-00	15.0 K .25 W 1.0 % RN55D-F10	4	R17,R40,R29,R30
40	40		1317399-00	6.49 K .25 W 1.0 % RN55D-F10	1	R19
41	41		1510706-00	*** THIS ITEM IS NOT USED ***	-	
42	42		1517999-00	3906 PNP 900MW ARRAY 14PIN	1	E4
43	43		1618238-02	BEAD,FERRITE .1380DX.330LG	1	L1
44	44		1909929-00	7417 BUFFER GATE-HEX 1INP	1	E3
45	45		1910268-00	DEC 75107B RECEIVER,LINE,DUAL,	1	E2
46	46		1911219-00	7438 NAND GATE-QUAD 2IN,B	3	E17,E22,E23
47	47		1912799-00	LS00 NAND-GATE-QUAD 2IN,P	2	E14,E26
48	48		1912801-00	LS02 NOR-GATE-QUAD 2IN	1	E8
49	49		1912816-00	LS32 OR GATE-QUAD 2IN,POS	2	E21,E28
50	50		1912820-00	LS51 A-O-I GATE 2-WIDE 2I	2	E1,E6
51	51		1912824-00	LS74 FF-D DUAL,EDGE TRIGG	2	E5,E27
52	52		1912834-00	LS112 FF-JK,DUAL,EDGE TRIG	1	E9
53	53		1912848-00	LS158 MUX 1 OF 2 (QUAD)	1	E16
54	54		1912853-00	LS175 FF-D QUAD	1	E24
55	55		1912858-00	LS221 ONE SHOT-DUAL,SCHMIT	2	E7,E15
56	56		1912863-00	LS273 FF-D OCTAL W/CLEAR	1	E19
57	57		1913414-00	LS14 INVERTER GATE-HEX SC	1	E18
58	58		1913471-00	LS367 DRIVER,BUS,HEX,TRI-	1	E20
59	59		1914466-00	3130E OP AMP MOS/FET IN,CM	1	E10
60	60		1915193-00	LS244 DRIVER,LINE,OCTAL,T	1	E13
61	61		2118823-00	1793-02 FLOPPY DISK FORMAT	1	E25
62	62		23640A2-00	A2-05,A2-08 RO	1	E12
63	63		9009185-00	JUMPER, WIRE, INSULATED, BLACK B	2	W2,W3
64	64		9009743-00	*** THIS ITEM IS NOT USED ***	-	
65	65		9107256-00	*** THIS ITEM IS NOT USED ***	-	
66	66		1300539-00	120.0 K .25 W 5.0 % CF	1	R5
67	67		1219952-04	PCB HEADER 34PIN(2X17).100CC STR	1	J3
68	68		1219952-03	PCB HEADER 34PIN(2X17).100CC STR	1	J2
69	69		1110603-00	1N 5711 TM=100PS PIV= 70V HM	2	D8,D10
70	70		9105740-55	*** THIS ITEM IS NOT USED ***	-	
71	71		1219065-03	CONN,P+S 48SKT(2X24).100CC	1	J1
72	72		1215901-09	PCB,HEADER 01 PIN(1X01).100 CC S	1	TP1

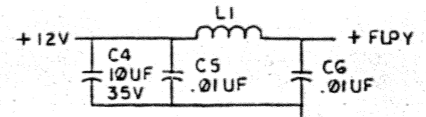
D	I	G	I	T	A	L	TITLE	SECTION A OF A	SIZE	CODE	DOCUMENT NUMBER	REV
							PC100 RX50 CONTROLLER		K	PL	5415482-0-DBP	C





THE DRAWING AND SPECIFICATIONS HEREIN ARE THE PROPERTY OF DIGITAL EQUIPMENT CORPORATION AND SHALL NOT BE REPRODUCED OR COPIED OR USED IN WHOLE OR IN PART AS THE BASIS FOR THE MANUFACTURE OR SALE OF ITEMS WITHOUT WRITTEN PERMISSION. COMPANY # 778 DIGITAL EQUIPMENT CORPORATION

TO ALIGN DATA SEPARATER, ADJUST POT SO THAT TPI IS 6 VOLTS.



NOTES:  
 \*\* C32 MUST BE LOCATED AS CLOSE AS POSSIBLE TO PIN 2 OF E2 AND GROUND.  
 \* THESE CAPS MUST BE LOCATED AS CLOSE AS POSSIBLE TO THEIR IC, AS WELL AS KEEPING THE ETCH RUN LENGTH TO A MINIMUM.

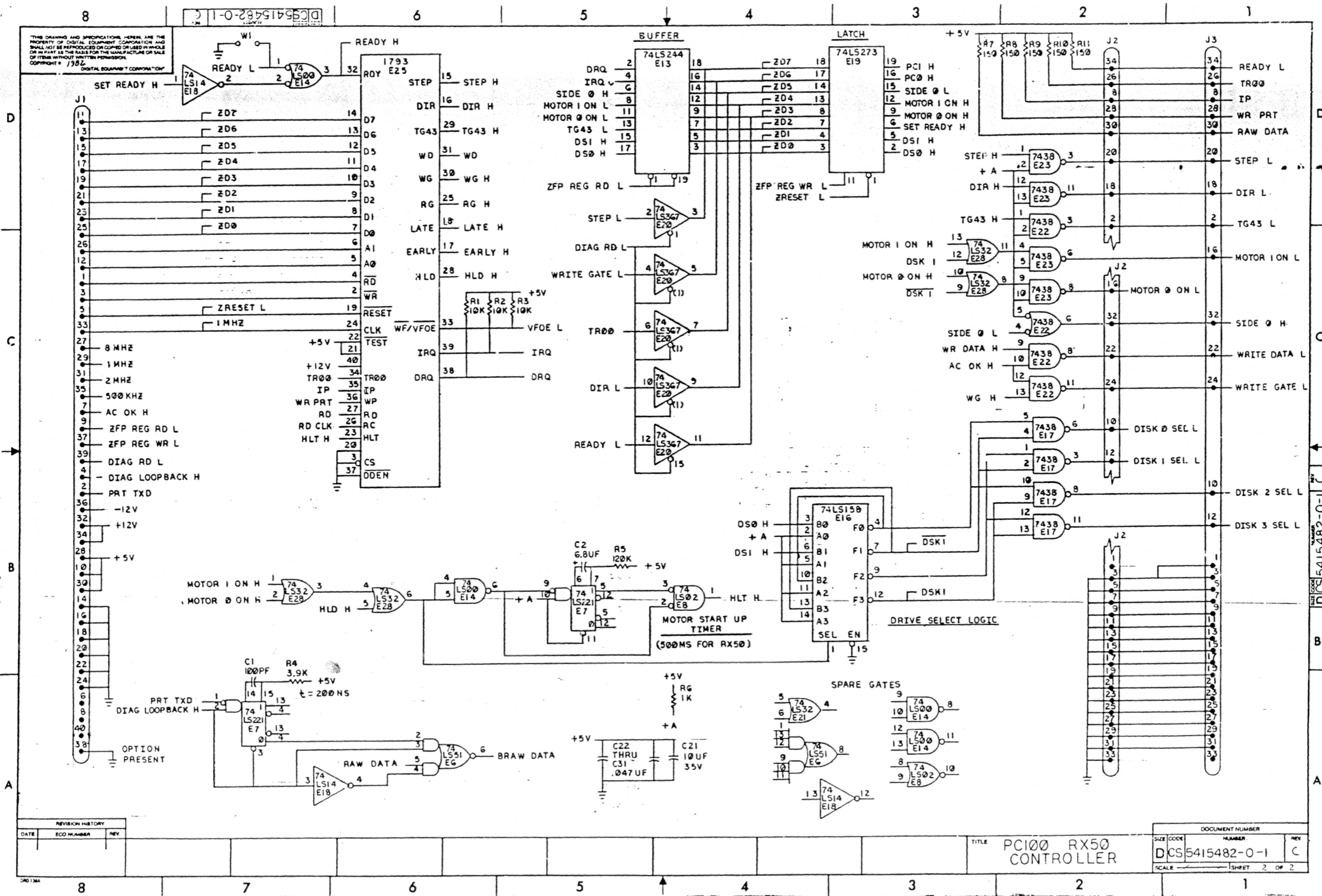
REV	ECO NUMBER	DATE
B	5415482-ML001	
A	5415482-ML001	
	D LEBLANC	
	5415482-ML002 C	
	D LEBLANC	
	5415482-ML003	
	D LEBLANC	

DESIGNED BY <i>Paul B...</i>	DATE 12 Jan 82	TITLE digital
CHECKED BY <i>John C...</i>	DATE 13 Jan 82	PCI00 RX50 CONTROLLER
DESIGNED BY <i>Samuel de Sol...</i>	DATE 12 July 82	DOCUMENT NUMBER
CHECKED BY <i>Samuel de Sol...</i>	DATE 12 July 82	D CS 5415482-01 C
DESIGNED BY <i>Paul B...</i>	DATE 7-14-82	SCALE
WORLDWIDE B-DD-5415482-0		ML3

D CS 5415482-0-1 C

THIS DRAWING AND SPECIFICATIONS HEREIN ARE THE PROPERTY OF DIGITAL EQUIPMENT CORPORATION AND SHALL NOT BE REPRODUCED OR COPIED OR USED IN WHOLE OR IN PART AS THE BASIS FOR THE MANUFACTURE OR SALE OF ITEMS WITHOUT WRITTEN PERMISSION. COPYRIGHT © 1982 DIGITAL EQUIPMENT CORPORATION

DCS5415482-0-1 C



DCS5415482-0-1 C

REVISION HISTORY		
DATE	ECO NUMBER	REV

TITLE PCI00 RX50 CONTROLLER

DOCUMENT NUMBER		
SIZE	CODE	NUMBER