

"THE MATERIAL HEREIN IS FOR INFORMATION PURPOSES ONLY AND IS SUBJECT TO CHANGE WITHOUT NOTICE. DIGITAL EQUIPMENT CORPORATION ASSUMES NO RESPONSIBILITY FOR ANY ERRORS WHICH MAY APPEAR HEREIN."

FIELD MAINTENANCE  
PRINT SET

"THIS DRAWING AND SPECIFICATIONS, HEREIN, ARE THE PROPERTY OF DIGITAL EQUIPMENT CORPORATION AND SHALL NOT BE REPRODUCED OR OR COPIED OR USED IN WHOLE OR IN PART AS THE BASIS FOR THE MANUFACTURE OR SALE OF ITEMS WITHOUT WRITTEN PERMISSION. COPYRIGHT (C) 1983 DIGITAL EQUIPMENT CORPORATION"

TABLE OF CONTENTS

RECEIVED JAN 23 1984

B-TC-VT220-0-1	VT220 TABLE OF CONTENTS
B-DD-VT220-0	VT220 DRAWING DIRECTORY
E-UA-VT220-0-0	VT220 UNIT ASSY
K-PL-VT220-0-DBP	VT220 UNIT ASSY (P.L)
B-DD-5415653-0	TERMINAL CONTROLLER BD D/D
D-UA-5415653-0-0	TERMINAL CONTROLLER BD UNIT ASSY
K-PL-5415653-0-DBP	TERMINAL CONTROLLER BD P/L
D-CS-5415653-0-1	TERMINAL CONTROLLER BD CIRCUIT SCHEMATICS
B-DD-5415651-0	POWER SUPPLY/MONITOR BD D/D
D-UA-5415651-0-0	POWER SUPPLY/MONITOR BD UNIT ASSY
K-PL-5415651-0-DBP	POWER SUPPLY/MONITOR BD P/L
D-CS-5415651-0-1	POWER SUPPLY/MONITOR BD CIRCUIT SCHEMATICS
D-AD-7020780-0-0	YOKE ASSY
K-PL-7020780-0-DBP	YOKE ASSY P/L
D-AD-7020814-0-0	PCB BEZEL ASSY
K-PL-7020814-0-DBP	PCB BEZEL ASSY P/L
MP01395-01	PRINT SET LK201

UNIT VARIATIONS COVERED BY THIS PRINT SET
VT220-A
VT220-B
VT220-C

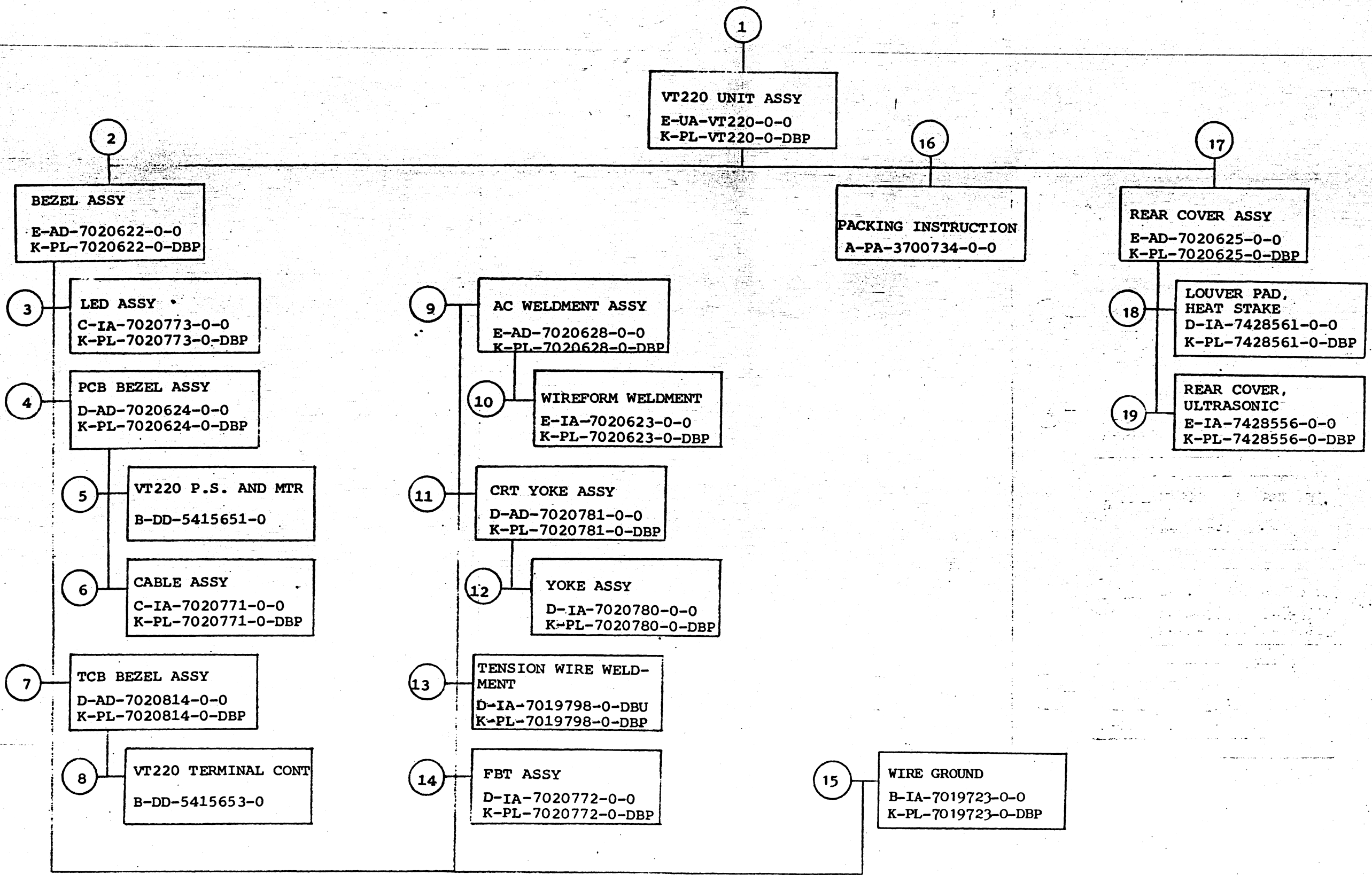
VT220  
FIELD MAINTENANCE  
PRINT SET

DIGITAL EQUIPMENT  
CORPORATION

PRINT SET PART NUMBER MP01732-01

REVISION HISTORY			USED ON OPTION/MODEL	RESPONSIBLE ENG. :	d i g i t a l				
ENG	ECO NUMBER	REV		DATE :					
	INITIAL	REL	A	MADE BY :	J. DEVIN	TITLE FIELD MAINTENANCE PRINT SET			
				DATE :	7/20/83	VT220			
				CHECKED BY :	J. DEVIN				
				DATE :					
				PROJECT ENGINEER :	S.F. TSAI				
				DATE :					
				FIELD SERVICE :	D. SANBORN	SIZE	CODE	DOCUMENT NUMBER	REV.
				DATE :		B	TC	VT220-0-1	A
						SHEET	1 OF 1	EDIT #	0001





TITLE	SHEET 2 OF 4	SIZE	CODE	NUMBER	REV.
VT220 UNIT ASSY		B	DD	VT220-0	A

FIND NO.	DRAWING NO.	DESCRIPTION	TYPE	FIND NO.	DRAWING NO.	DESCRIPTION	TYPE
1	MP01732-g1	VT220 UNIT ASSY PRINT SET NUMBER	-	7	D-AD-7020814-0-0	TCB BEZEL ASSY	M
	R-TC-VT22g-g-1	VT220 UNIT ASSY FIELD MAINTENANCE PRINT SET	-		K-PL-7020814-0-DBP	TCB BEZEL ASSY (PL)	M
	E-UA-VT220-0-0	VT220 UNIT ASSY	E/M		C-MD-7429063-0-0	BEZEL, TCB	M
	K-PL-VT220-0-DBP	VT220 UNIT ASSY (PL)	E/M				
	A-PS-3621646-0-0	LABEL, SERIAL	M				
	A-PS-3621647-0-0	LABEL, REGULATIONS	M				
				8	B-DD-5415653-0	VT220 TERMINAL CONT.	E/M
2	E-AD-7020622-0-0	BEZEL ASSY	M	9	E-AD-7020628-0-0	AC WELDMENT ASSY	E/M
	K-PL-7020622-0-DBP	BEZEL ASSY (PL)	M		K-PL-7020628-0-DBP	AC WELDMENT ASSY (PL)	E/M
	B-MD-7423006-0-0	SCREW, HEX WASHER, #4-40	M		C-MD-7428994-0-0	SHIELD, EMI FILTER	M
	B-IA-7423018-0-0	ISOLATION MOUNT	M				
	B-MD-7428548-0-DBU	LOGO, VT220	M				
	C-MD-7428549-0-0	CLIP, SPRING	M				
	E-MD-7428550-0-0	BEZEL, CRT	M	10	E-IA-7020623-0-0	WIREFORM WELDMENT	M
	D-IA-7428796-0-0	BRKT, MTG, ENCLOSURE	M		K-PL-7020623-0-DBP	WIREFORM WELDMENT (PL)	M
	D-MD-7428993-0-0	SHIELD, INSULATOR	M		D-IA-7428551-0-0	BRKT, RETAINING	M
					D-MD-7428552-0-0	WIRE FORM	M
					C-MD-7428553-0-0	BRKT, SUPPORT, BOTTOM	M
					C-MD-7428554-0-0	BRKT, SUPPORT, RIGHT	M
					D-IA-7428562-0-0	SHIELD, BOTTOM, TCB	M
3	C-IA-7020773-0-0	LED ASSY	E/M		C-MD-7428851-0-0	BRKT, MTG, FBT	M
	K-PL-7020773-0-DBP	LED ASSY (PL)	E/M				
	C-MD-7428967-0-0	HOLDER, LED	M				
4	D-AD-7020624-0-0	PCB BEZEL ASSY	M	11	D-AD-7020781-0-0	CRT YOKE ASSY	E/M
	K-PL-7020624-0-DBP	PCB BEZEL ASSY	M		K-PL-7020781-0-DBP	CRT YOKE ASSY (PL)	E/M
	D-MD-7428555-0-0	BEZEL, PCB	M				
5	B-DD-5415651-0	VT220 P.S. & MTR	E/M	12	D-IA-7020780-0-0	YOKE ASSY	E/M
	C-MD-7428565-0-0	THUMB WHEEL	M		K-PL-7020780-0-DBP	YOKE ASSY (PL)	E/M
					C-MD-7425911-0-0	COVER, TERMINAL	M
6	C-IA-7020771-0-0	CABLE ASSY	E/M	13	D-IA-7019798-0-DBU	TENSION WIRE WELDMENT	M
	K-PL-7020771-0-DBP	CABLE ASSY (PL)	E/M		K-PL-7019798-0-DBP	TENSION WIRE WELDMENT (PL)	M
					D-MD-7426541-0-DBU	WIRE TENSION FRAME	M
					D-MD-7427425-0-DBU	CLIP TENSICN WIRE	M

TYPE: E ELECTRICAL  
M MECHANICAL  
E/M ELECTRO/MECHANICAL

digital

TITLE  
VT220 UNIT ASSY

SHEET 3 OF 4

SIZE CODE  
B DD

NUMBER  
VT220-g

REV  
A

FIND NO.	DRAWING NO.	DESCRIPTION	TYPE	FIND NO.	DRAWING NO.	DESCRIPTION	TYPE
14	D-IA-7020772-0-0	FBT ASSY	E/M				
	K-PL-7020772-0-DBP	FBT ASSY (PL)	E/M				
15	B-IA-7019723-0-0	WIRE GROUND	E/M				
	K-PL-7019723-0-DBP	WIRE GROUND (PL)	E/M				
16	A-PA-3700734-0-0	PACKING INSTRUCTIONS, VT220	M				
17	E-AD-7020625-0-0	REAR COVER ASSY	M				
	K-PL-7020625-0-DBP	REAR COVER ASSY (PL)	M				
	D-MD-7428557-0-0	ARM, TILT	M				
	D-MD-7428558-0-0	BUTTON, TILT	M				
	C-MD-7428559-0-0	SHAFT, TILT	M				
	C-MD-7428564-0-0	COVER, SCREEN	M				
	C-MD-7428569-0-0	COVER, SHAFT	M				
	C-MD-7428570-0-0	LOCK GEAR, TILT	M				
	C-MD-7428571-0-0	ANCHOR BRKT, TILT	M				
	C-MD-7428572-0-0	SCREEN, BOTTOM	M				
	C-MD-7428996-0-0	GUIDE, BRKT, TILT	M				
	C-MD-7428568-0-0	COVER, MODEM	M				
18	D-IA-7428561-0-0	LOUVER PAD, HEAT STAKE	M				
	K-PL-7428561-0-DBP	LOUVER PAD, HEAT STAKE (PL)	M				
	C-MD-7428560-0-0	SCREEN, LOUVER PAD	M				
19	E-IA-7428556-0-0	REAR COVER, ULTRASONIC	M				
	K-PL-7428556-0-DBP	REAR COVER, ULTRASONIC	M				
	C-MD-7429032-0-0	SCREEN, INSERT	M				

TYPE: E ELECTRICAL  
M MECHANICAL  
E/M ELECTRO/MECHANICAL

digital

TITLE VT220 UNIT ASSY

SHEET 4 OF 4

SIZE CODE B DD

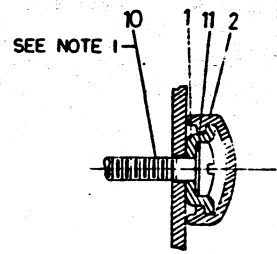
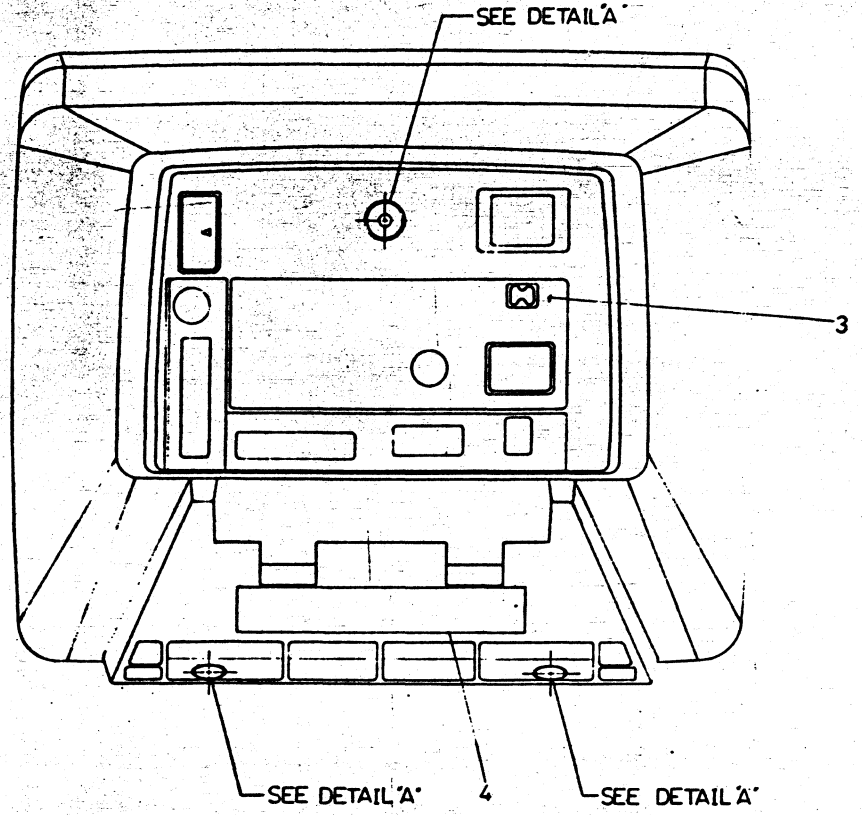
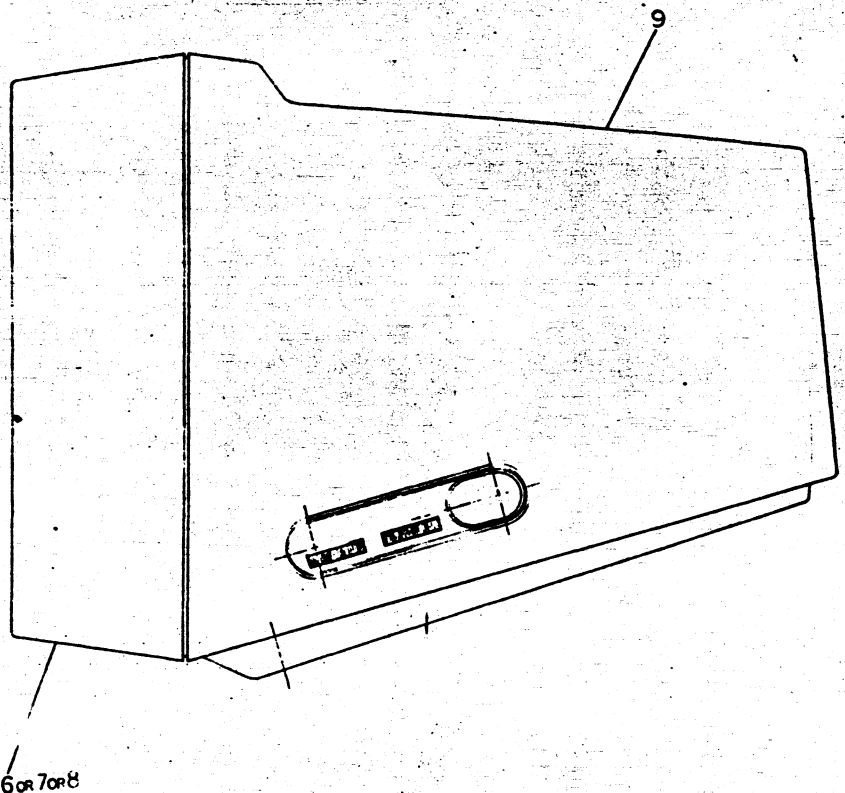
NUMBER VT220-0

REV A

THIS DRAWING AND SPECIFICATIONS SHALL BE THE PROPERTY OF THE U.S. GOVERNMENT AND SHALL BE LOANED TO YOU BY THE U.S. GOVERNMENT. IT IS TO BE USED ONLY FOR THE PURPOSES AND IN THE MANNER AND UNDER THE CONDITIONS SPECIFIED BY THE U.S. GOVERNMENT. IT IS TO BE RETURNED TO THE U.S. GOVERNMENT AT THE END OF THE TERM OF THE LOAN OR AT THE END OF THE TERM OF THE CONTRACT OR AT THE END OF THE TERM OF THE AGREEMENT. IT IS TO BE DESTROYED AT THE END OF THE TERM OF THE LOAN OR AT THE END OF THE TERM OF THE CONTRACT OR AT THE END OF THE TERM OF THE AGREEMENT. IT IS TO BE DESTROYED AT THE END OF THE TERM OF THE LOAN OR AT THE END OF THE TERM OF THE CONTRACT OR AT THE END OF THE TERM OF THE AGREEMENT.

LEGEND		
NUMBER	REV	VARIATION
VT220-A	A1	CR1 WHITE PH (FOR 1P31)
VT220-B	A1	CR1 GREEN PH (FOR 1P31)
VT220-C	A1	CR1 AMBER PH (FOR 1P31)

NOTES:  
1 TORQUE ITEM 10 TO 40 IN-LBS.



DETAIL 'A'  
SCALE: NONE  
3 PLACES

CAUTION: OFF SHEET PARTS LIST EXIST  
SEE K-PL-VT220-0-5BP

DESCRIPTION		DRAWING NO.		PART NO.		TEST NO.	
UNLESS OTHERWISE SPECIFIED DIMENSIONS ARE IN INCHES AND THE FOLLOWING TOLERANCES APPLY PER DEC STD 11.5							
DIMENSION		DIMENSION		DIMENSION		DIMENSION	
INCHES	FRACTIONS	INCHES	FRACTIONS	INCHES	FRACTIONS	INCHES	FRACTIONS
1/16	± .005	1/8	± .005	3/16	± .005	1/2	± .005
1/4	± .005	5/16	± .005	3/4	± .005	1	± .005
3/8	± .005	7/8	± .005				
1	± .005						
2	± .005						
3	± .005						
4	± .005						
5	± .005						
6	± .005						
7	± .005						
8	± .005						
9	± .005						
10	± .005						
11	± .005						
12	± .005						
13	± .005						
14	± .005						
15	± .005						
16	± .005						
17	± .005						
18	± .005						
19	± .005						
20	± .005						
21	± .005						
22	± .005						
23	± .005						
24	± .005						
25	± .005						
26	± .005						
27	± .005						
28	± .005						
29	± .005						
30	± .005						
31	± .005						
32	± .005						
33	± .005						
34	± .005						
35	± .005						
36	± .005						
37	± .005						
38	± .005						
39	± .005						
40	± .005						
41	± .005						
42	± .005						
43	± .005						
44	± .005						
45	± .005						
46	± .005						
47	± .005						
48	± .005						
49	± .005						
50	± .005						
51	± .005						
52	± .005						
53	± .005						
54	± .005						
55	± .005						
56	± .005						
57	± .005						
58	± .005						
59	± .005						
60	± .005						
61	± .005						
62	± .005						
63	± .005						
64	± .005						
65	± .005						
66	± .005						
67	± .005						
68	± .005						
69	± .005						
70	± .005						
71	± .005						
72	± .005						
73	± .005						
74	± .005						
75	± .005						
76	± .005						
77	± .005						
78	± .005						
79	± .005						
80	± .005						
81	± .005						
82	± .005						
83	± .005						
84	± .005						
85	± .005						
86	± .005						
87	± .005						
88	± .005						
89	± .005						
90	± .005						
91	± .005						
92	± .005						
93	± .005						
94	± .005						
95	± .005						
96	± .005						
97	± .005						
98	± .005						
99	± .005						
100	± .005						

REVISION HISTORY  
REV A  
DATE 11/11/83  
BY S.F. ISAI

K-PL-VT220-0-5BP

LINE	ITEM	DOCUMENT NUMBER	PART NUMBER	DESCRIPTION	QUANTITY PER VARIATION		
					A	B	C
1	1		1220292-02	WASHER,CUP PLASTIC	3	3	3
2	2		1220293-02	CAP,SNAP OFF FOR 12-20292-02	3	3	3
3	3		3621646-01	LABEL,VT220 ELECTRICAL DATA	1	1	1
4	4		3621647-02	LABEL,REGULATORY,FCC,VT220	1	1	1
5	5	A-PA-3700734-0-0	3700734-01	PKG TERMINAL VT220-A (CUS)	REF	REF	REF
6	6	E-AD-7020622-0-0	7020622-01	BEZEL ASSY	1	-	-
7	7	E-AD-7020622-0-0	7020622-02	BEZEL ASSY	-	1	-
8	8	E-AD-7020622-0-0	7020622-03	BEZEL ASSY.	-	-	1
9	9	E-AD-7020625-0-0	7020625-01	REAR COVER ASSY	1	1	1
10	10		9006039-01	SCREW,MACH PAN PHIL 8-	3	3	3
11	11		9006660-00	WASHER,FLAT SST	3	3	3

REVISION HISTORY		BASIC PART NO: VT220		DRN: K. SHEN	DATE: 1-JUL-83	D I G I T A L		
ENG	ECO NUMBER	REV	SECTION A OF A	CHK'D: S. TSAI	DATE: 19-AUG-83	TITLE PARTS LIST		
	INITIAL	A	SECTION. VARIATION INDEX	DES.ENG.: K. SHEN	DATE: 1-JUL-83	VT220 UNIT ASSY		
			[A] A .B .C	RESP.ENG.: S. TSAI	DATE: 19-AUG-83	DOCUMENT NUMBER		
			[B]	MFG.ENG.: G. WU	DATE: 19-AUG-83	SIZE	CODE	NUMBER
			[C]	ASSEMBLY NUMBER:	TOP DOCUMENT NUMBER:	K	PL	VT220-0-DBP
			[D]	E-UA-VT220-0-0	#B-DD-VT220-0	FILE NAME:		REV
			[E]			Z7132A.PLS		A
			[F]					EDIT #
								5
"THIS DRAWING AND SPECIFICATIONS HEREIN, ARE THE PROPERTY OF DIGITAL EQUIPMENT CORPORATION AND SHALL NOT BE REPRODUCED OR COPIED OR USED IN WHOLE OR IN PART AS THE BASIS FOR THE MANUFACTURE OR SALE OF ITEMS WITHOUT WRITTEN PERMISSION. COPYRIGHT (C) 1983. DIGITAL EQUIPMENT CORPORATION "								
CHK HH_K3								

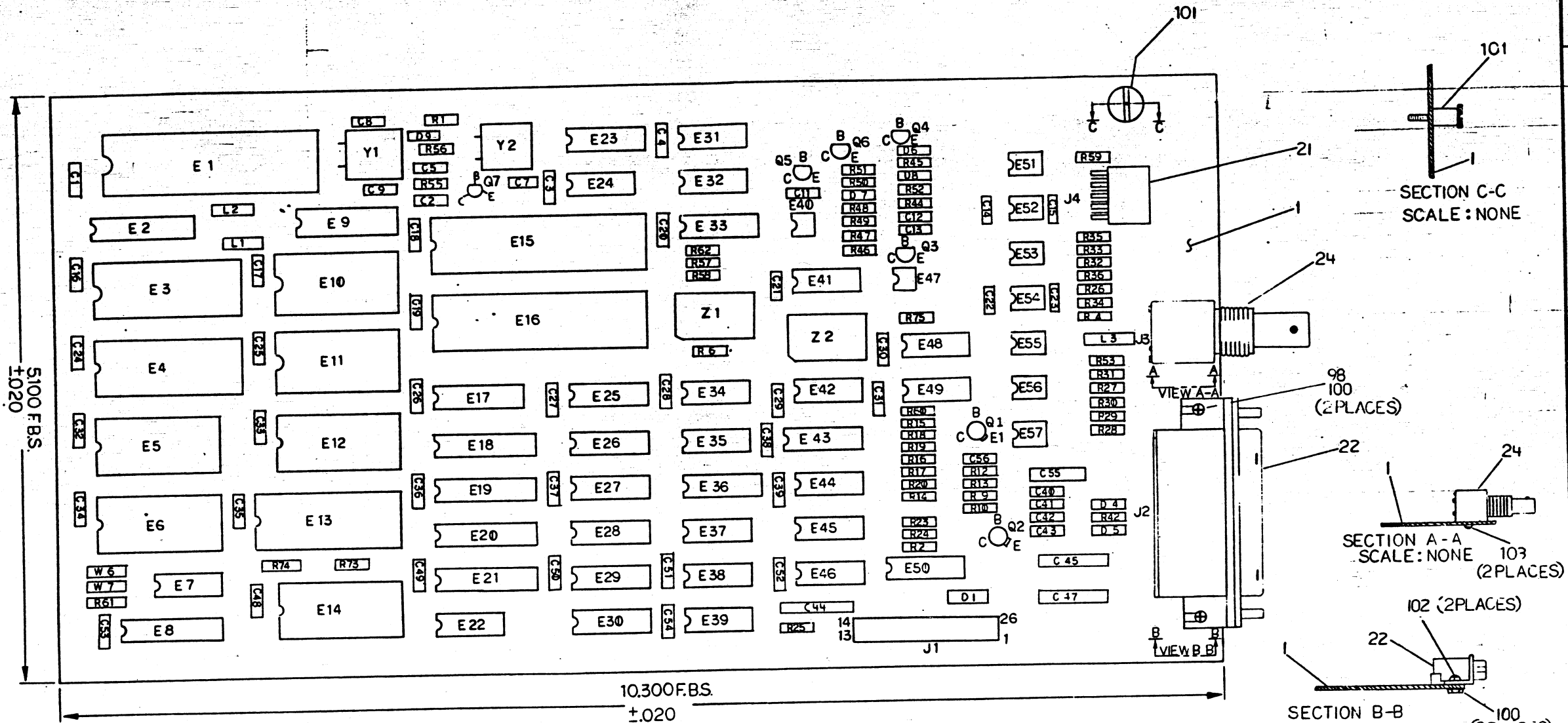




THIS DRAWING AND SPECIFICATIONS HEREIN ARE THE PROPERTY OF DIGITAL EQUIPMENT CORPORATION AND SHALL NOT BE REPRODUCED OR COPIED OR USED IN WHOLE OR IN PART AS A BASIS FOR THE MANUFACTURE OR SALE OF ITEMS WITHOUT WRITTEN PERMISSION.  
 DEPARTMENT 8 1983 DIGITAL EQUIPMENT CORPORATION

LEGEND		
NUMBER	REV	VARIATION
5415653-01	A1	AS SHOWN

VIEWED FROM SIDE 1  
 COMPONENT SIDE



SECTION C-C  
 SCALE: NONE

SECTION A-A  
 SCALE: NONE

SECTION B-B  
 SCALE: NONE

CAUTION: OFF SHEET PARTS LIST EXISTS,  
 SEE K-PL-5415653-0-DBP.

DRN. W. J. WANG 21 JUN 53	FIRST USED ON	VT 220	digital
CHK'D H. M. H. A. 28 JUN 53	TITLE	VT 220	
ENG. S. W. CHENG 21 JUN 53			
PROJ. ENG. W. J. WANG 21 JUN 53			
PROD. C. J. WANG 18 JUN 53			
NEXT HIGHER ASSY.			
D-5415653-0-0	SIZE	CODE	NUMBER
SCALE 1:1	D	UA	5415653-0-0
SHEET 1 OF 1	DIST.		

REV.	A
CHG.	INT REL

LINE	ITEM	DOCUMENT NUMBER	PART NUMBER	DESCRIPTION	QTY PER VARIATION	REFERENCE DESIGNATOR
					01	
1	1	D-MD-5015652-0-0	5015652-01	CIRCUIT DRILL AND ETCH BOARD	1	
2	2		1000006-00	10.0 MMF 100V 5%200PPM MICA	1	C7
3	3		1000020-00	180.0 MMF 100V 5%200PPM MICA	1	C56
4	4		1000022-00	270.0 MMF 100V 5%200PPM MICA	2	C12,C13
5	5		1001610-00	.01 MFD 50V +80-20% Z5U CER	37	C1,C3,C4,C11,C14-C39,C48-C54
6	6		1002608-00	18.0 MMF 100V 5%200PPM MICA	2	C8,C9
7	7		1010274-00	.22 MFD 50V +80-20% Z5U CER	3	C41-C43
8	8		1012312-01	.47 MFD 50V +80-20% CER	2	C2,C5
9	9		1017472-00	10 MFD 35V +50-10% AL EL	1	C45
10	10		1018220-06	2200 MFD 6.3V	1	C47
11	11		1020446-12	220 MFD 16V +50-10% AL EL	1	C55
12	12		1022277-01	22 MFD 16V +50-10% AL EL	1	C44
13	13		1100114-00	PIV= 25 IO=135 MA	2	D1,D9
14	14		1102421-00	VZ= 6.2 5% 400 MW 1N753A	1	D4
15	15		1105275-00	PIV= 60 IO=300 MA -15NS	2	D6,D7
16	16		1105610-00	CURRENT LIMIT 1.0 MA	1	D8
17	17		1105796-00	PIV= 400 IO= 1.00A 1N4004 DO-41	1	D5
18	18		1215006-07	SKT,IC 28PIN DIP TIN SOLD	3	XE3,XE4,XE13
19	19		1215006-08	SKT,IC 40PIN DIP TIN SOLD	3	XE1,XE15,XE16
20	20		1217652-01	PCB HEADER 08POS(2X04).100CC 90D	1	J4
21	21		1219952-02	PCB HEADER 26PIN(2X13).100CC STR	1	J1
22	22		1220959-03	CONN,D SUB 25PIN ASSY PC MNT	1	J2
23	24		1222216-01	CONN,COAX BNC RCPT SCRE	1	J3
24	25		1300197-00	33.0 .25 W 5.0 % CF	1	R47
25	26		1300229-00	100.0 .25 W 5.0 % CF	6	R6,R12,R53,R60,R73,R74
26	27		1300247-00	120.0 .25 W 5.0 % CF	1	R25
27	28		1300250-00	150.0 .25 W 5.0 % CF	2	R24,R52
28	29		1300271-00	220.0 .25 W 5.0 % CF	2	R13,R23
29	30		1300295-00	330.0 .25 W 5.0 % CF	1	R42
30	31		1300309-00	390.0 .25 W 5.0 % CF	2	R45,R46

REVISION HISTORY		BASIC PART NO: 5415653		DRN:	RITA BUREAU	DATE:	23-AUG-83	D I G I T A L			
ENG:	ECO NUMBER	REV	SECTION A OF A	CHK'D:	JOHN DEVIN	DATE:	26-AUG-83	TITLE PARTS LIST			
	INITIAL	A	SECTION VARIATION INDEX	DES.ENG:	H. T. CHO	DATE:	26-AUG-83	DOCUMENT NUMBER			
			[A] 01	RESP.ENG.:	H. T. CHO	DATE:	26-AUG-83	SIZE	CODE	NUMBER	REV
			[B]	MFG.ENG.:	CLYDE TANNER	DATE:	26-AUG-83	K	PL	5415653-0-DBP	A
			[C]	ASSEMBLY NUMBER:		TOP DOCUMENT NUMBER:		FILE NAME:		EDIT #	
			[D]		D-UA-5415653-0-0		B-DD-5415653-0-0	Z5450A.PLS		9	
			[E]								
			[F]								
			[H]								
			[J]								
			[K]								
			[L]								
			[M]								
			[N]								

"THIS DRAWING AND SPECIFICATIONS HEREIN, ARE THE PROPERTY OF DIGITAL EQUIPMENT CORPORATION AND SHALL NOT BE REPRODUCED OR COPIED OR USED IN WHOLE OR IN PART AS THE BASIS FOR THE MANUFACTURE OR SALE OF ITEMS WITHOUT WRITTEN PERMISSION. COPYRIGHT (C) 1983. DIGITAL EQUIPMENT CORPORATION "

AUTOMATED BY PRTLST.4Q(50)

PARTS LIST

SHEET A2 OF A3

LINE	ITEM	DOCUMENT NUMBER	PART NUMBER	DESCRIPTION	QTY	PER VARIATION	REFERENCE DESIGNATOR
					01		
31	32		1300316-00	470.0	.25	W 5.0 %	CF R20
32	33		1300365-00	1.0 K	.25	W 5.0 %	CF R1,R9,R59,R61,R62,R75
33	34		1300391-00	1.50 K	.25	W 5.0 %	CF R14
34	35		1300398-00	1.80 K	.25	W 5.0 %	CF R17
35	36		1300417-00	2.20 K	.25	W 5.0 %	CF R10
36	37		1300426-00	2.70 K	.25	W 5.0 %	CF R15
37	38		1300432-00	3.0 K	.25	W 5.0 %	CF R18
38	39		1300444-00	3.90 K	.25	W 5.0 %	CF R51
39	40		1300447-00	4.70 K	.25	W 5.0 %	CF R56-R58
40	41		1300488-00	12.0 K	.25	W 5.0 %	CF R26,R33
41	42		1300539-00	120.0 K	.25	W 5.0 %	CF R48
42	43		1301327-00	68.0 K	.25	W 5.0 %	CF R44
43	44		1301401-00	750.0	.25	W 5.0 %	CF R50
44	45		1301422-00	7.50 K	.25	W 5.0 %	CF R49
45	46		1302379-00	75.0	.25	W 5.0 %	CF R4
46	47		1302388-00	2.0 K	.25	W 5.0 %	CF R16
47	48		1302398-00	470.0 K	.25	W 5.0 %	CF R34
48	49		1302514-00	39.0 K	.25	W 5.0 %	CF R2,R55
49	50		1303177-00	2.40 K	.25	W 5.0 %	CF R19
50	51		1304841-00	75.0 K	.25	W 5.0 %	CF R35,R36
51	52		1501913-00	2N 2904A	PNP	600MW SI 60 40 Y	Q1,Q2
52	53		1509338-00	DEC6531B	NPN	310MW SI 40 90 P	Q5-Q7
53	54		1510705-00	XA 05	NPN	500MW SI 60 50 P	Q4
54	55		1510706-00	XA 55	PNP	500MW SI 60 50 P	Q3
55	56		1618238-02	BEAD,FERRITE	.1380DX.330LG		L1-L3
56	57		1811660-59	OSCILLATOR, XTAL	15.288 MHZ		Y3
57	58		1812396-12	XTAL	11.059 MHZ		Y1
58	59		1812396-16	XTAL	3.6864 MHZ		Y2
59	60		1814830-01	OSCILLATOR, XTAL	22.896 MHZ		
60	61		1909929-00	7417	BUFFER GATE-HEX	1INP	E48
61	62		1910236-00	DEC 7426	NAND GATE-QUAD	2IN,0	E49
62	63		1910544-00	74S74	FF-D DUAL,EDGE TRIGG		E35
63	64		1910550-00	74S174	FF-D HEX		E36,E43
64	65		1912096-00	DEC 74S86	XOR GATE,QUAD	2IN	E46
65	66		1912697-00	LS174	FF-D HEX W/CLEAR		E26,E28,E29,E50
66	67		1912799-00	LS00	NAND-GATE-QUAD	2IN,P	E38
67	68		1912801-00	LS02	NOR-GATE-QUAD	2IN	E39
68	69		1912803-00	LS04	INVERTER GATE,HEX		E24,E44
69	70		1912805-00	LS08	AND GATE-QUAD	2IN,PO	E31,E41
70	71		1912807-00	LS10	NAND GATE-TRIPLE	3IN	E37
71	72		1912813-00	LS27	NOR GATE-TRIPLE	3IN	E45
72	73		1912816-00	LS32	OR GATE-QUAD	2IN,POS	E22
73	74		1912820-00	LS51	A-O-I GATE	2-WIDE 2I	E42
74	75		1912824-00	LS74	FF-D DUAL,EDGE TRIGG		E32
75	76		1912842-00	LS138	DECODER-THREE INPUT,		E23
76	77		1912843-00	LS139	DECODER, 2 OF 4(DUAL		E33
77	78		1912847-00	LS157	MUX 1 OF 2(QUAD)		E25,E30
78	79		1912863-00	LS273	FF-D OCTAL W/CLEAR		E8,E20

D	I	G	I	T	A	L	TITLE	SECTION A OF A	SIZE	CODE	DOCUMENT NUMBER	REV
							TERMINAL CONTROL BOARD		K	PL	5415653-0-DBP	A

AUTOMATED BY PRTLST.4Q(50)

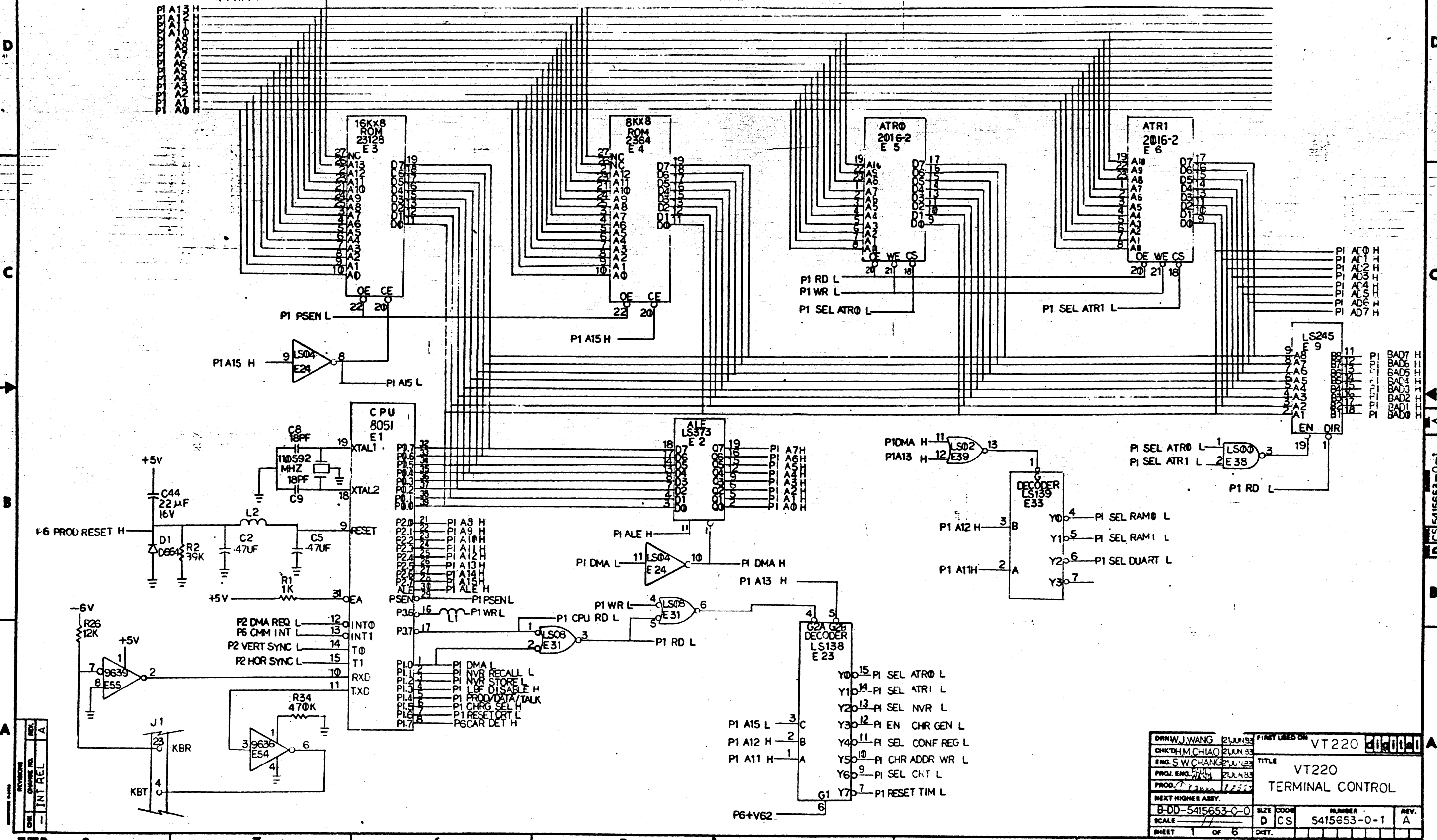
PARTS LIST

SHEET A3 OF A3

LINE	ITEM	DOCUMENT NUMBER	PART NUMBER	DESCRIPTION	QTY PER VARIATION 01	REFERENCE DESIGNATOR
79	80		1914214-00	LS374 FF-D OCTAL EDGE TRIG	2	E19, E21
80	81		1914451-00	LS393 COUNTER, BINARY, 4BIT	1	E7
81	82		1915019-00	74S38 NAND BUFFER-QUAD 2IN	1	E34
82	83		1915218-00	LS245 TRANSCEIVER, BUS, OCT	2	E9, E18
83	84		1915219-00	LS373 FF-D OCTAL-TRANSPARE	1	E2
84	85		1915415-00	9636 DRIVER, DUAL, EIA RS-	3	E52-E54
85	86		1915758-00	LS166 SHIFT REG. 8BIT PARA	1	E27
86	87		1916959-00	OPTOTRANSISTOR	2	E40, E47
87	88		1919542-01	9639 RECEIVER, LINE, DUAL	4	E51, E55-E57
88	89		2117872-01	RAM 2KX8 I/O MUXD 25	5	E5, E6, E10-E12
89	90		2117872-02	RAM 2KX8 I/O MUXD 20	1	E14
90	91		2120065-01	9007 CONTROLLER, CRT	1	E16
91	92		2120068-01	2681 REC./TRANS., ASYNC., D	1	E15
92	93		2120263-01	2212 RAM 256X4 NON-VOLATI	1	E17
93	94		23011M1-00	M1-01	1	E1
94	95		23012E5-00	E5-02	1	E3
95	96		23247E4-00	E4-06	1	E13
96	97		23248E4-00	E4-06	1	E4
97	98		9006010-01	SCREW, MACH PAN PHIL 4-	2	
98	99		9007201-00	PAD, MOUNTING, COMPONENT	2	
99	100		9008054-00	NUT, HEX SLF LCKNG NYL INS 4-40	2	
100	101		9009116-01	SCREW, CAPTIV ASSY 6-32	1	
101	102		9009185-00	JUMPER, WIRE, INSULATED, BLACK B	2	
102	103		9010482-01	SCREW, PAN PHIL THD RL 2-	2	

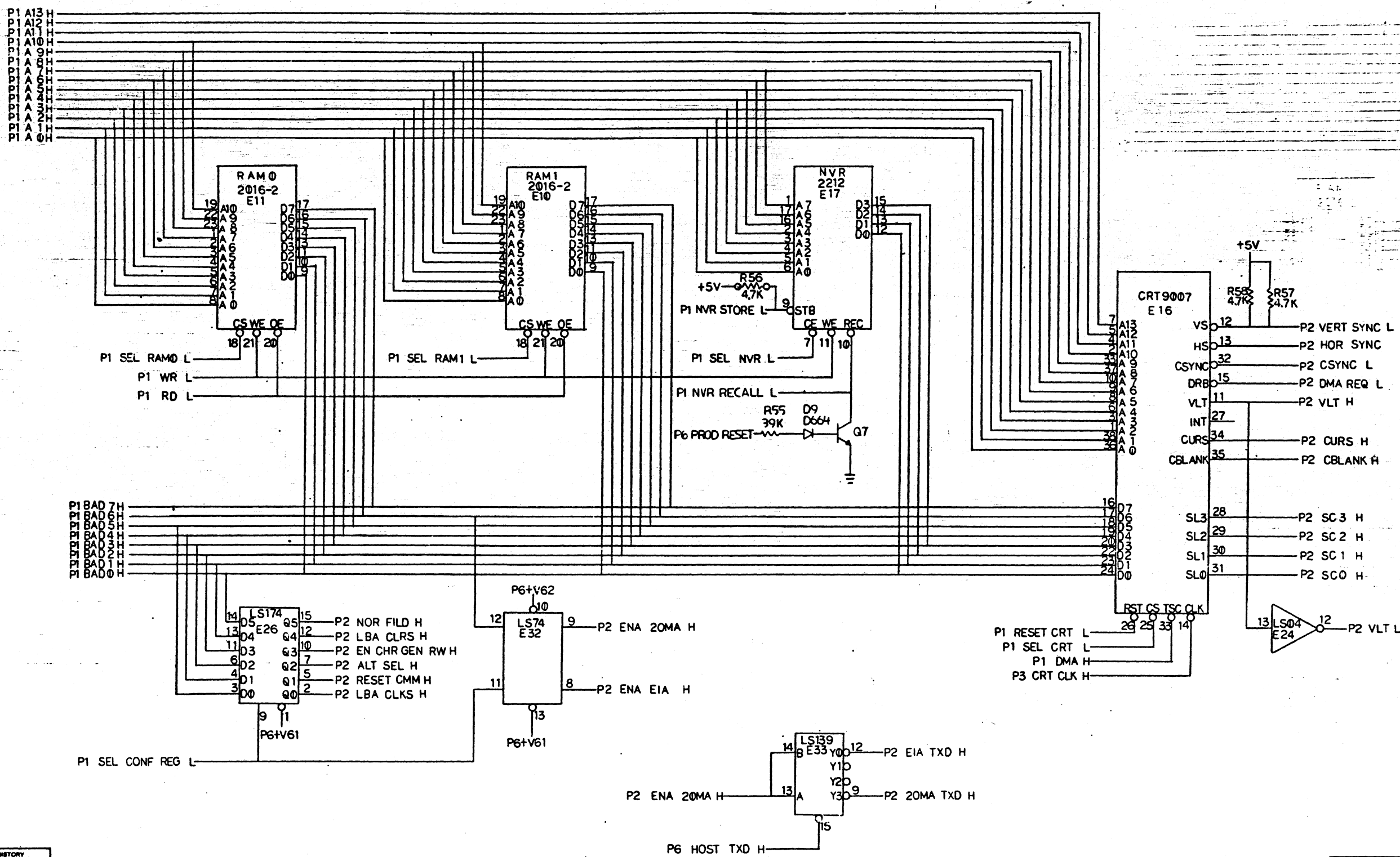
D	I	G	I	T	A	L	TITLE	SECTION A OF A	SIZE	CODE	DOCUMENT NUMBER	REV
							TERMINAL CONTROL BOARD		K	PL	5415653-0-DBP	A

THIS DRAWING AND SPECIFICATIONS, HEREIN, ARE THE PROPERTY OF INTEL CORPORATION AND SHALL NOT BE REPRODUCED OR COPIED IN WHOLE OR IN PART WITHOUT THE WRITTEN PERMISSION OF INTEL CORPORATION © 1983, INTEL CORPORATION



DRN: J. WANG	DATE: 21 JUN 83	FIRST USED ON: VT220
CHK'D: M. CHIAO	DATE: 21 JUN 83	
ENGR: S. W. CHANG	DATE: 21 JUN 83	TITLE: VT220 TERMINAL CONTROL
PROJ. ENGR: J. WANG	DATE: 21 JUN 83	
PROD. DATE: 12/83		
NEXT HIGHER ASSY:		
B-DD-5415653-0-0	SIZE: D	CODE: CS
SCALE: 1/1	NUMBER: 5415653-0-1	REV: A
SHEET: 1	OF: 6	CHKT:

THIS DRAWING AND THE SPECIFICATIONS CONTAINED HEREIN ARE CONFIDENTIAL AND PROPRIETARY. THEY ARE THE PROPERTY OF DIGITAL EQUIPMENT CORPORATION AND SHALL NOT BE REPRODUCED OR COPIED IN WHOLE OR IN PART, NOR BE THE BASIS FOR THE MANUFACTURE OR SALE OF ITEMS, WITHOUT WRITTEN PERMISSION. THIS IS AN UNPUBLISHED WORK PROTECTED UNDER THE FEDERAL COPYRIGHT LAWS.



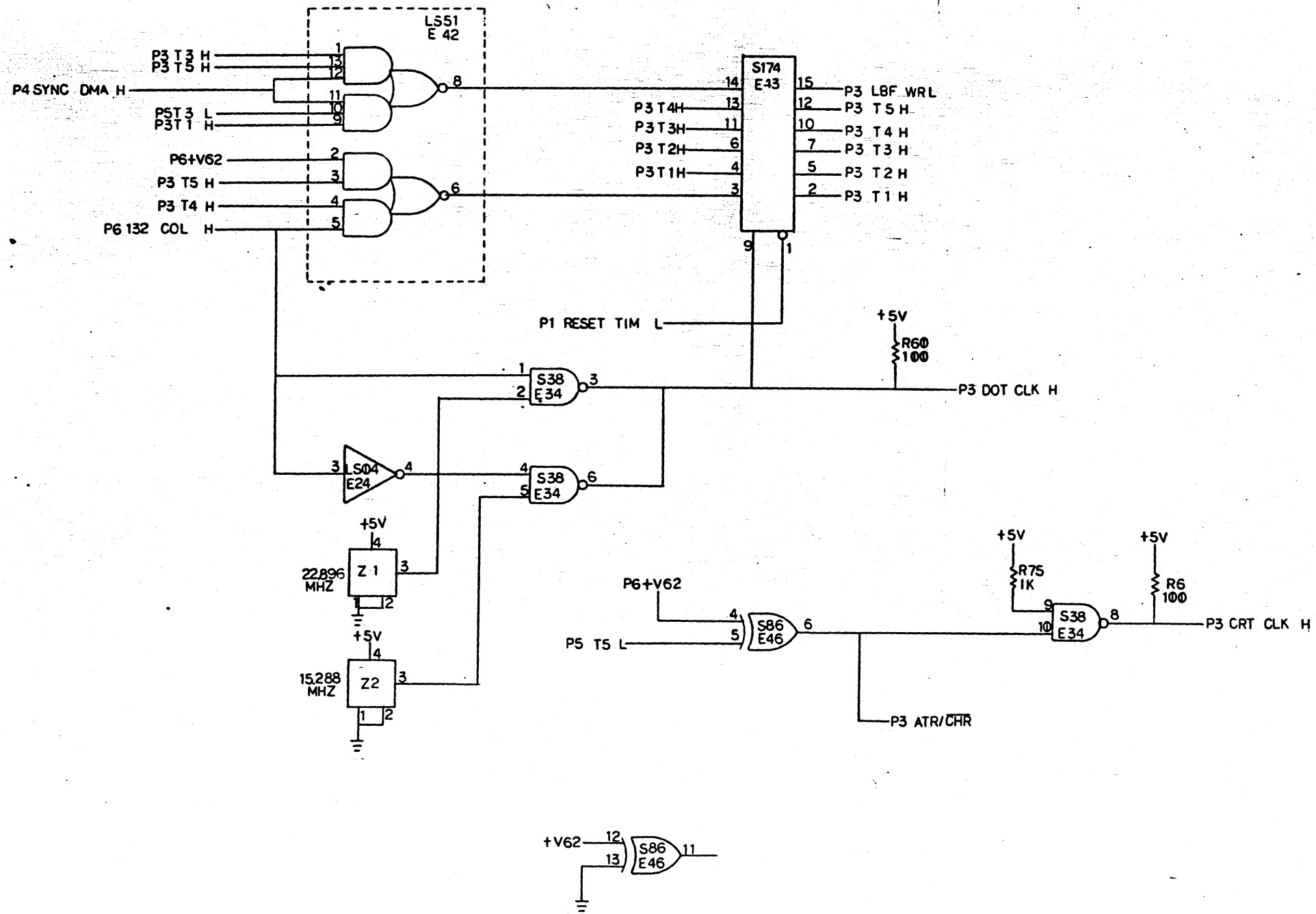
REVISION HISTORY		
REV.	ECO NUMBER	DATE

TITLE  
VT220  
TERMINAL CONTROL

DOCUMENT NUMBER		
SIZE	CODE	NUMBER
D	CS	5415653-0-1
SCALE		SHEET 2 OF 6

REV. CODE NUMBER  
D CS 5415653-0-1

8  
 THIS DRAWING AND THE SPECIFICATIONS CONTAINED HEREIN ARE CONFIDENTIAL AND PROPRIETARY. THEY ARE THE PROPERTY OF DIGITAL EQUIPMENT CORPORATION AND SHALL NOT BE REPRODUCED OR COPIED OR USED IN WHOLE OR IN PART AS THE BASIS FOR THE MANUFACTURE OR SALE OF ITEMS WITHOUT WRITTEN PERMISSION. THIS IS AN UNPUBLISHED WORK PROTECTED UNDER THE FEDERAL COPYRIGHT LAW.



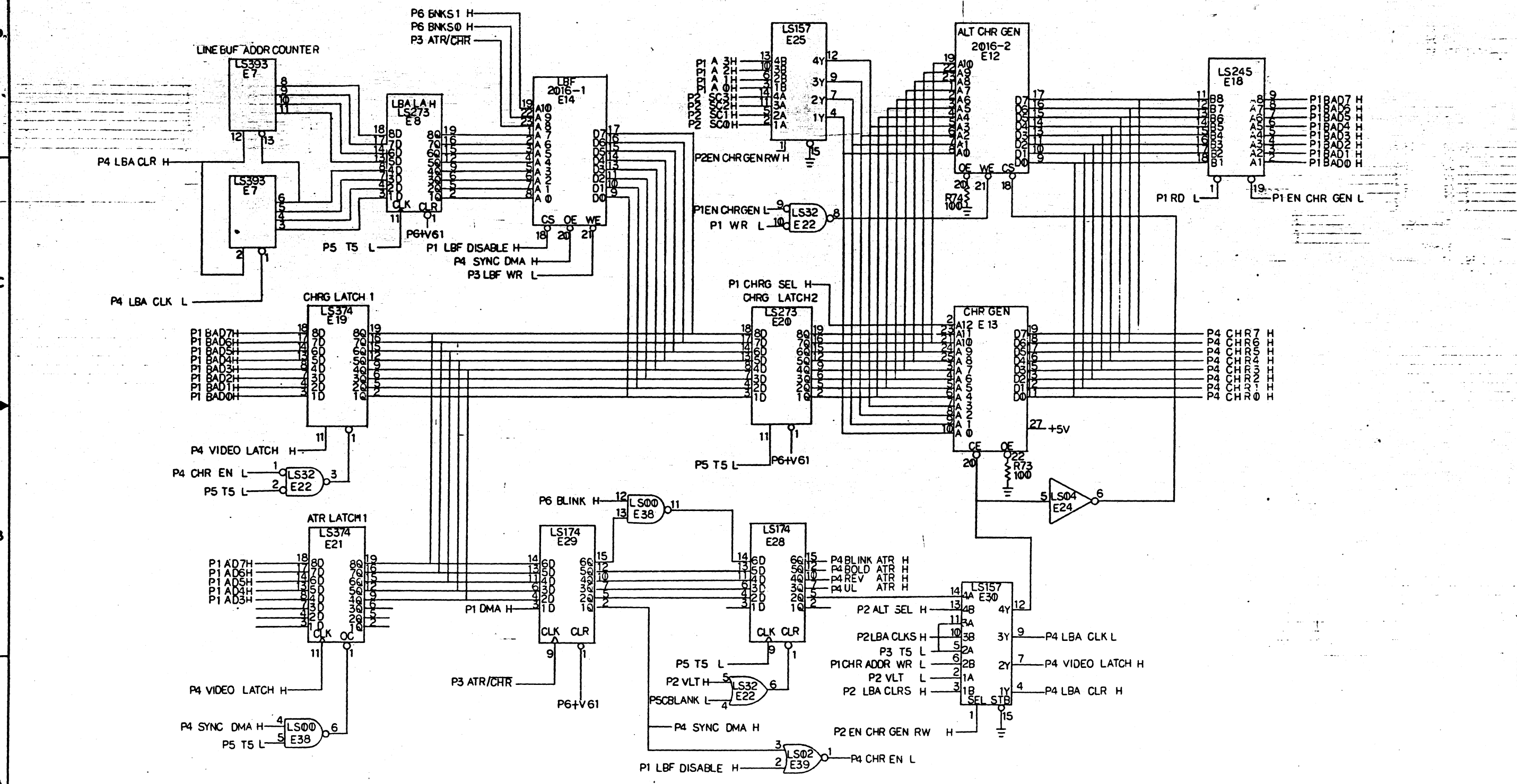
REVISION HISTORY		
REV.	ECO NUMBER	DATE

TITLE  
 VT220  
 TERMINAL CONTROL

DOCUMENT NUMBER			
SIZE	CODE	NUMBER	REV.
D	CS	5415653-0-1	A
SCALE		SHEET 3 OF 6	

THIS DRAWING AND THE SPECIFICATIONS CONTAINED HEREIN ARE CONFIDENTIAL AND PROPRIETARY. THEY ARE THE PROPERTY OF DIGITAL EQUIPMENT CORPORATION AND SHALL NOT BE REPRODUCED OR COPIED OR USED IN WHOLE OR IN PART AS THE BASIS FOR THE MANUFACTURE OR SALE OF ITEMS WITHOUT WRITTEN PERMISSION. THIS IS AN UNPUBLISHED WORK PROTECTED UNDER THE FEDERAL COPYRIGHT LAWS.

SIZE CODE DCS 5415653-0-1



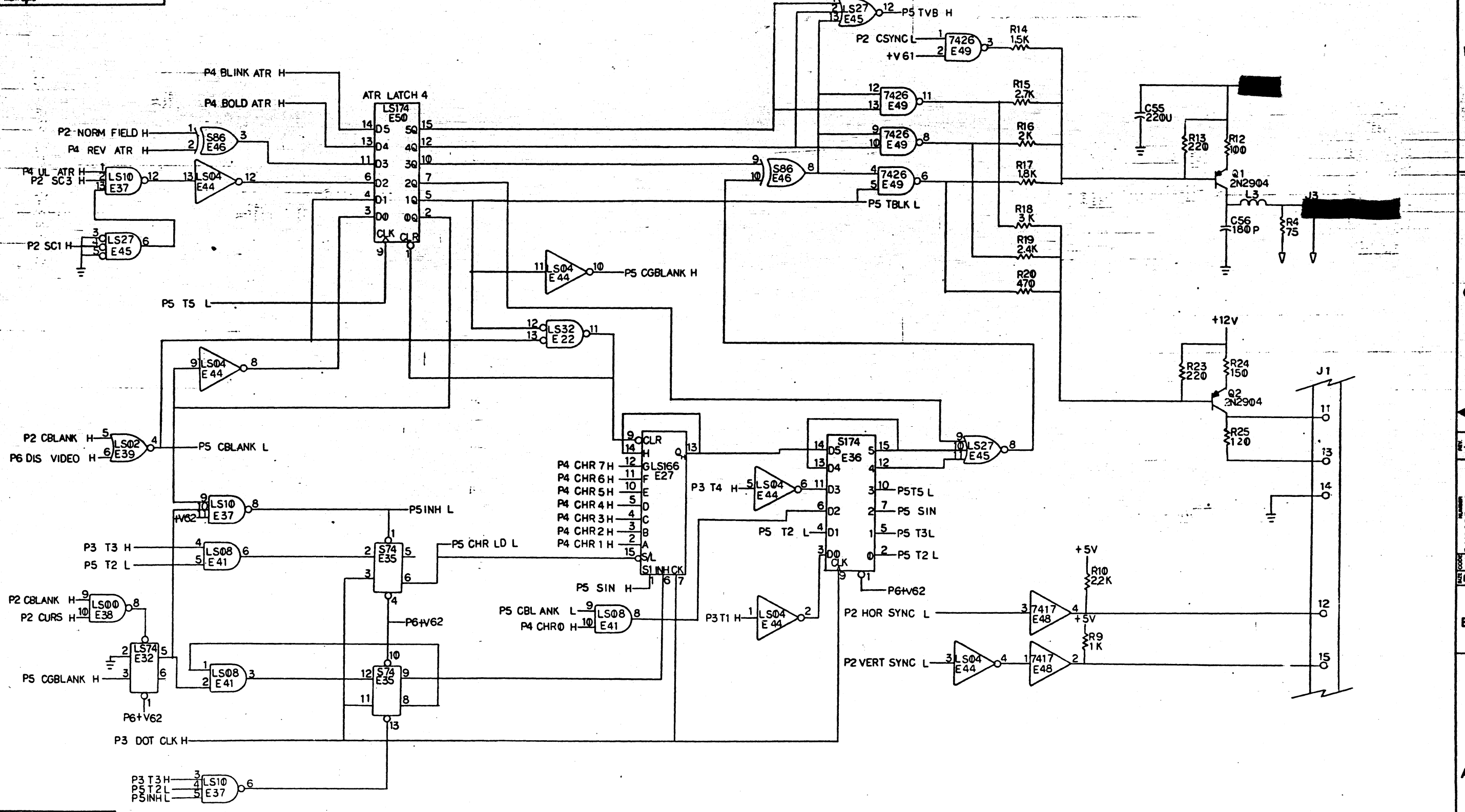
REVISION HISTORY		
REV	ECO NUMBER	DATE

DOCUMENT NUMBER		REV.
DCS	5415653-0-1	A
SCALE	SHEET 4 OF 6	

TITLE: VT220 TERMINAL CONTROL



THIS DRAWING AND THE SPECIFICATIONS CONTAINED HEREIN ARE CONFIDENTIAL AND PROPRIETARY. THEY ARE THE PROPERTY OF DIGITAL EQUIPMENT CORPORATION AND SHALL NOT BE REPRODUCED OR COPIED OR USED IN WHOLE OR IN PART AS THE BASIS FOR THE MANUFACTURE OR SALE OF ITEMS UNLESS WRITTEN PERMISSION FROM THIS IS AN UNPUBLISHED WORK PROTECTED UNDER THE FEDERAL COPYRIGHT LAWS.

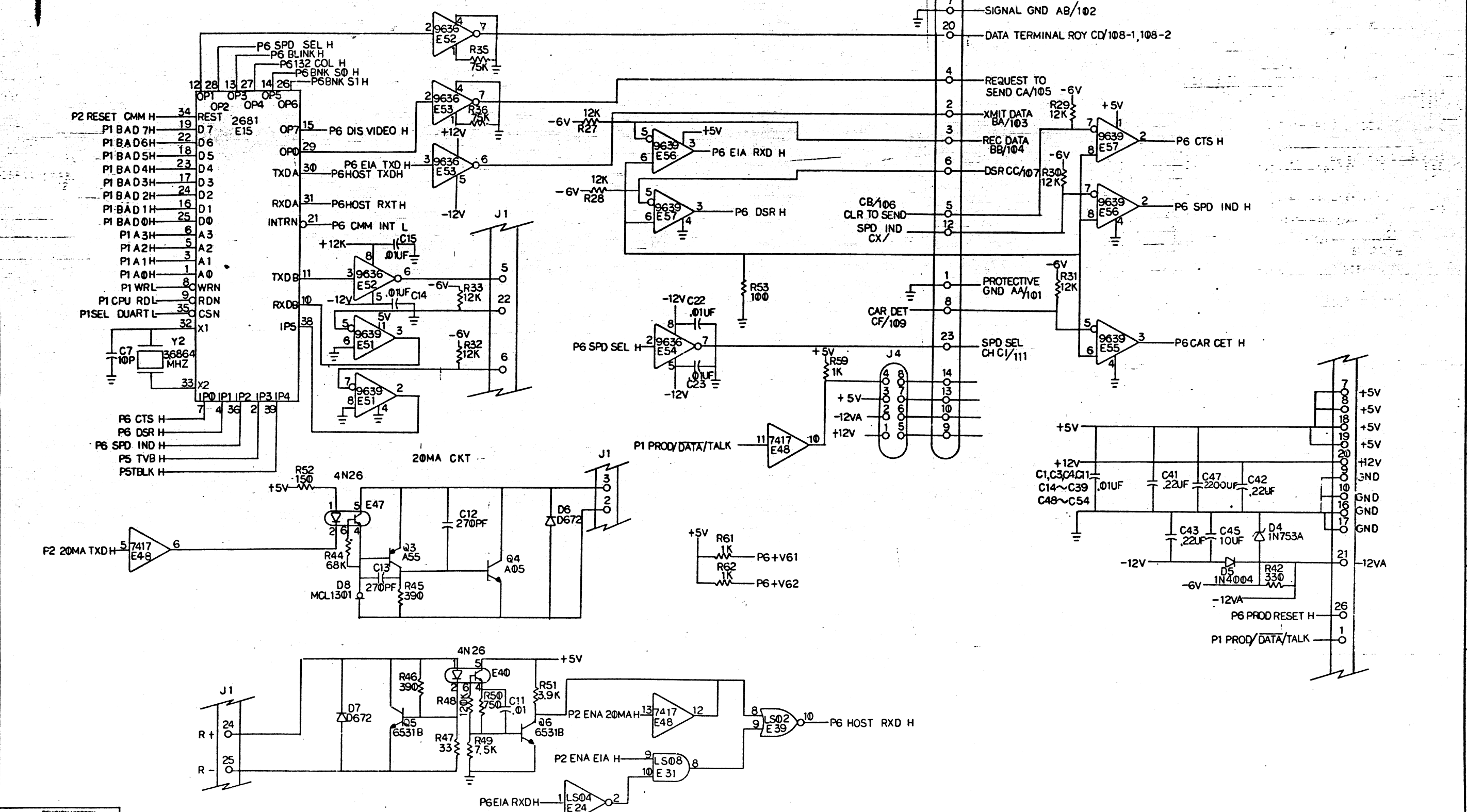


REV.	ECO NUMBER	DATE

TITLE  
VT220  
TERMINAL CONTROL

SIZE CODE	NUMBER	REV.
DCS	5415653-0-1	A

THIS DRAWING AND THE SPECIFICATIONS CONTAINED HEREIN ARE CONFIDENTIAL AND PROPRIETARY... THEY ARE THE PROPERTY OF DIGITAL EQUIPMENT CORPORATION AND SHALL NOT BE REPRODUCED OR COPIED OR USED IN WHOLE OR IN PART AS THE BASIS FOR THE MANUFACTURE OR SALE OF ITEMS WITHOUT WRITTEN PERMISSION. THIS IS AN UNPUBLISHED WORK PROTECTED UNDER THE FEDERAL COPYRIGHT LAWS.



REV.	ECO NUMBER	DATE

DOCUMENT NUMBER		REV.
SIZE CODE	NUMBER	
Dcs	5415653-0-1	A
SCALE	SHEET	6 OF 6

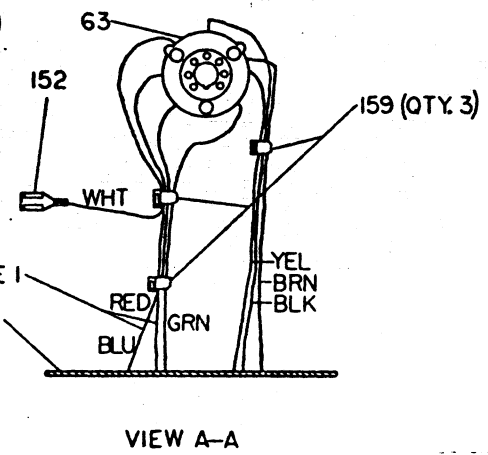
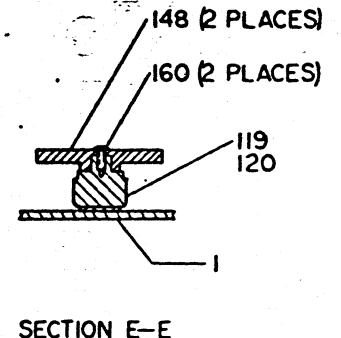
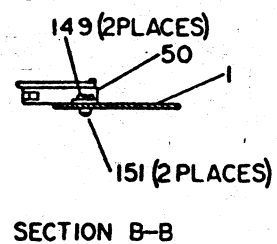
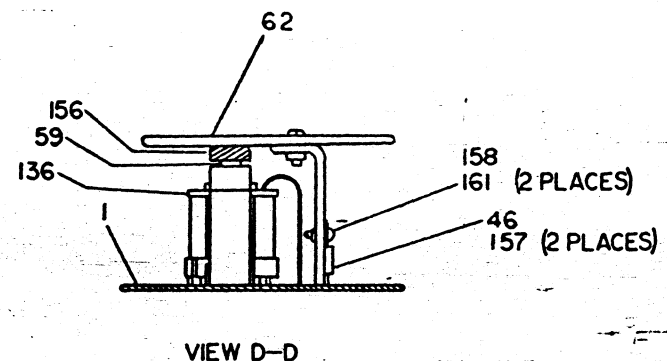
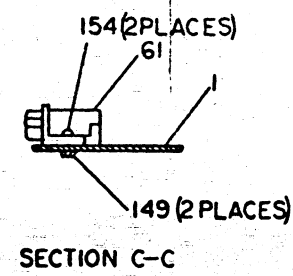
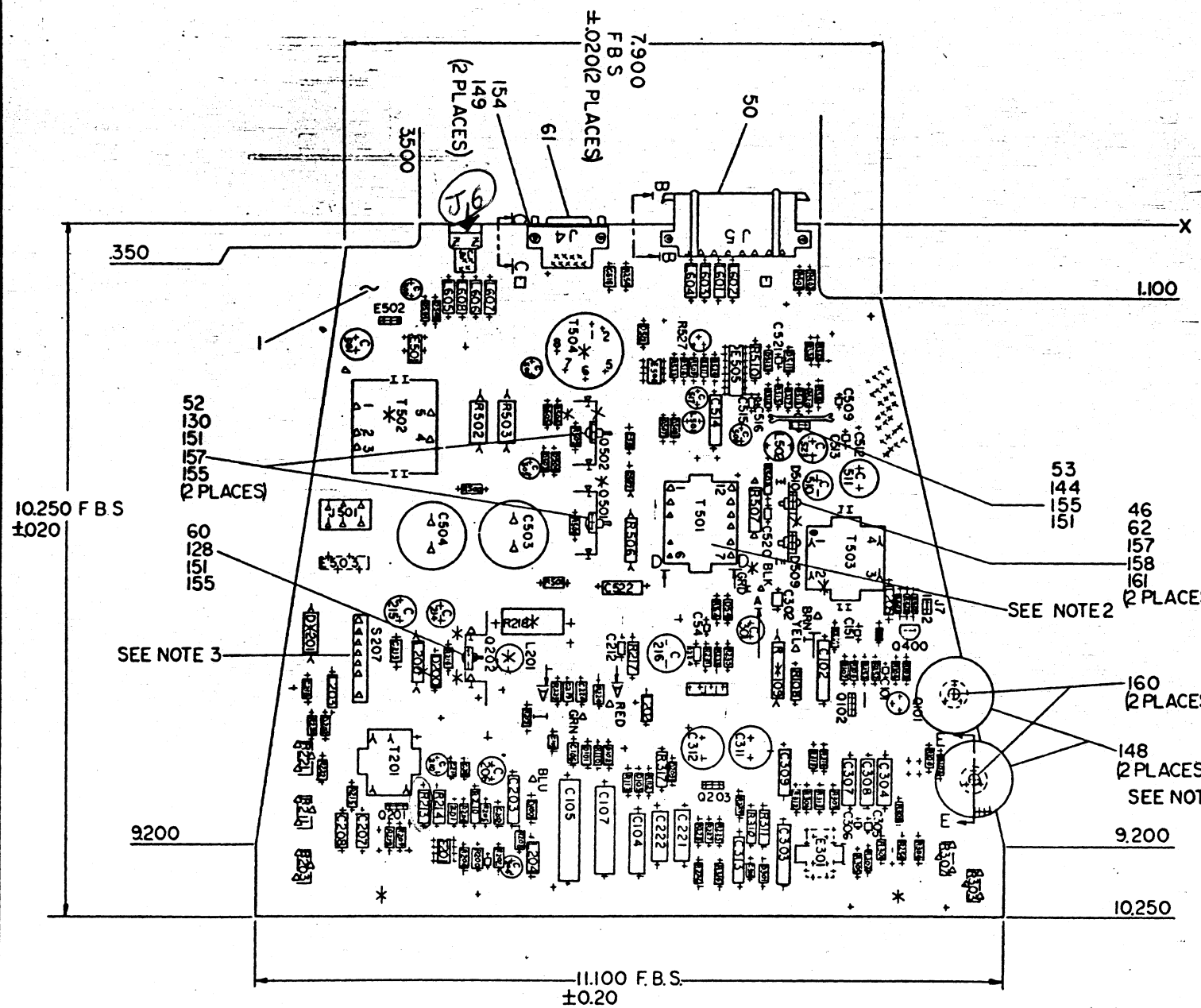
VT220  
TERMINAL CONTROL



THIS DRAWING AND SPECIFICATIONS, HEREIN, ARE THE PROPERTY OF DIGITAL EQUIPMENT CORPORATION AND SHALL NOT BE REPRODUCED OR COPIED OR USED IN WHOLE OR IN PART AS THE BASIS FOR THE MANUFACTURE OR SALE OF EQUIPMENT WITHOUT WRITTEN PERMISSION.  
 © DIGITAL EQUIPMENT CORPORATION

VIEWED FROM SIDE 1  
 COMPONENT SIDE

LEGEND		
NUMBER	REV	VARIATION
5415651-01	A1	AS SHOWN



CAUTION: OFF SHEET PARTS LIST EXISTS,  
 SEE K PL-5415651-O-DBP.

NOTES: 1. RED AND BLUE WIRES OF C.R.T. CONNECT HARNESS ASSEMBLY MUST BE COATED BY HEAT SHRINK TUBING ITEM #162 RESPECTIVELY.  
 2. BUMPERS ITEM # 59 AND 156 MUST BE ADHERED TO THE TOP OF T501 ITEM #136 AS SHOWN IN D-D  
 3. PIN 2 OF S207 ITEM #55 MUST BE REMOVED BEFORE INSERTION.

STEP	E	+	Y	AXIS	STEP	TIMES	
REPEAT				X	AXIS	STEP	TIMES

CHK	CHANGE NO	REV
	INT	REL
	A	

ETCH	REV.

SIGNATURES		DATE	digital
DRN. H.M. HSIO		4-JUN83	
CHK. D. J. B. LUO		4-JUN83	
MECH. ENG. LOUIS JEAN		4-JUN83	
PROJ. ENG. LOUIS JANE		4-JUN83	
PROD. CLYDE TANNER		8-25-83	
SCALE 1/1			TITLE VT220 P S AND MONITOR BD.
SHT. 1	OF 1	SIZE CODE	NUMBER
		D UA	5415651-0-0
NEXT HIGHER ASSY. B-DD-5415651-00			REV
			A

1 WO#

AUTOMATED BY PRTLST.4Q(50)

PARTS LIST

SHEET A1 OF A4

LINE	ITEM	DOCUMENT NUMBER	PART NUMBER	DESCRIPTION	QTY PER VARIATION	REFERENCE DESIGNATOR
1	1	D-MD-5016650-0-0	5015650-01	CIRCUIT DRILL AND ETCH BOARD	1	
2	2		1000026-00	680.0 MMF 100V 5*200PPM MICA	1	C54
3	3		1001631-00	390.0 MMF 100V 5*200PPM MICA	1	C101
4	4		1002781-00	100 MFD 25V +75-10% AL EL	1	C151
5	5		1009312-00	.0047 MFD 100V 1% MYLR	2	C203, C514
6	6		1010978-24	.01 MFD 50V 10% CER	1	C516
7	7		1010978-36	.1 MFD 50V 10% CER	1	C518
8	8		1012312-01	.47 MFD 50V +80-20% CER	4	C509, C512, C513, C521
9	9		1012784-00	.047 MFD 50V +80-20% CER	1	C223
10	10		1013280-00	680.0 MMF 1000V 5*200PPM MICA	1	C224
11	11		1013669-02	.10 MFD 150V 5% M. POLYPROP	3	C304, C307, C308
12	12		1014052-00	100 MFD 25V +100-10% AL EL	2	C102, C303
13	13		1016544-00	.1 MFD 100V 10% MYLR	6	C103, C150, C205, C211, C212, C302
14	14		1016546-00	.22 MFD 660V 10% MET. MYLR	2	C221, C222
15	15		1016548-00	1000 MFD 16V +50-10% AL EL	3	C215, C311, C312
16	16		1016549-00	47 MFD 10V +50-10% AL EL	2	C309, C313
17	17		1016557-00	470 MFD 16V +50-10% AL EL	4	C206, C214, C301, C523
18	18		1016558-00	10 MFD 25V 20% AL EL	1	C216
19	19		1016569-00	.0022 MFD 100V 10% MYLR	1	C306
20	20		1016571-00	.02 MFD 500V +80-20% Z5U DISC	1	C106
21	21		1016572-00	300.0 MMF 500V 10% X5P DISC	2	C200, C305
22	22		1018000-37	4.7 MFD 100V +50-10% AL EL	2	C210, C517
23	23		1018000-28	1 MFD 100V 20% AL EL	2	C204, C310
24	24		1018000-29	10 MFD 25V 20% AL EL	3	C502, C505, C506
25	25		1018000-30	330 MFD 50V 20% AL EL	2	C501, C508
26	26		1019413-06	220 MFD 250V +50-10% AL EL	2	C503, C504
27	27		1019559-01	.02 MFD 1000V +80-20% CER	3	C218-C220
28	28		1020166-01	10 MFD 250V +50-10% AL EL	1	C105
29	29		1020308-03	47 MFD 100V +50-10% AL EL	1	C107
30	30		1020308-04	22 MFD 100V +50-10% AL EL	1	C104

REVISION HISTORY		BASIC PART NO: 5415651		DRN: RITA BUREAU	DATE: 23-AUG-83	D I G I T A L	
ENG:	ECO NUMBER	REV	SECTION A OF A	CHK'D: JOHN DEVIN	DATE: 26-AUG-83	TITLE PARTS LIST	
	INITIAL	A	SECTION VARIATION INDEX	DES. ENG: LOUIS JEAN	DATE: 26-AUG-83	MONITOR/POWER SUPPLY BOARD	
			(A) 01	RESP. ENG.: LOUIS JEAN	DATE: 26-AUG-83	DOCUMENT NUMBER	
			(B)	MFG. ENG.: CLYDE TANNER	DATE: 26-AUG-83	SIZE: K	CODE: PL
			(C)	ASSEMBLY NUMBER: D-UA-5415651-0-0	TOP DOCUMENT NUMBER: B-DD-5415651-0-0	NUMBER: 5415651-0-DBP	REV: A
			(D)			FILE NAME: Z5449A.PLS	EDIT: 6
			(E)	"THIS DRAWING AND SPECIFICATIONS HEREIN, ARE THE PROPERTY OF DIGITAL EQUIPMENT CORPORATION AND SHALL NOT BE REPRODUCED OR COPIED OR USED IN WHOLE OR IN PART AS THE BASIS FOR THE MANUFACTURE OR SALE OF ITEMS WITHOUT WRITTEN PERMISSION. COPYRIGHT (C) 1983. DIGITAL EQUIPMENT CORPORATION"			
			(F)				
			(H)				
			(J)				
			(K)				
			(L)				
			(M)				
			(N)				

LINE	ITEM	DOCUMENT NUMBER	PART NUMBER	DESCRIPTION	QTY PER VARIATION	REFERENCE DESIGNATOR
					01	
31	31		1021205-01	1000 MFD 10V +30-10% AL EL	1	C510
32	32		1021205-02	1000 MFD 25V +30-10% AL EL	1	C511
33	33		1021480-01	.068 MFD 200V 10% POLYPROP	1	C207
34	34		1021480-03	.0033 MFD 1000V 5% POLYPROP	2	C507,C530
35	35		1021480-04	.027 MFD 250V 5% POLYPROP	1	C208
36	36		1021931-01	5600.0 MMG 300V 5% MICA	1	C202
37	37		1022087-01	1000.0 MMF 100V 20% DISC	2	C515,C520
38	38		1022181-01	.51 MFD 400V 10%	1	C522
39	39		1021480-05	.022 MFD 250V 5% POLYPROP	1	C213
40	40		1100114-00	PIV= 25 IO=135 MA	2	D512,D513
41	41		1105796-00	PIV= 400 IO= 1.00A 1N4004 DO-41	10	D54,D103,D301,D501-D506,D511
42	42		1110836-00	VZ= 12.0 5% 400 MW 1N759A	1	D401
43	43		1112594-02	PIV= 600 IO= 3.00A	2	D200,D201
44	44		1112595-02	PIV= 600 IO= 1.00A AXIAL	6	D100-D102,D203,D507,D508
45	45		1115369-00	DIODE ARRY PIV= 100 IO= 1.00A	1	E501
46	46		1117555-01	RECT.ULTRA FAST PIV= 200 IO=16.0	2	D509,D510
47	47		1121435-01	RECT. ASSY PIV= 600 IO= 2.00A	1	D202
48	48		1121434-01	PIV= 700 1N5623	1	E503
49	49		1121923-01	1N 5519D 3.6 +- .1%	1	D1
50	50		1209340-00	MATE-N-LOK 08SKT(1X08) HSG	1	J5
51	51		1209456-01	MATE-N-LOK 01SKT 20-18AWG .0870D	8	
52	52		1212487-02	HEAT SINK 01.18X01.	2	
53	53		1215228-00	HEAT SINKS,TO-220 01.25X0.87	1	
54	54		1215323-02	PCB HEADER 02PIN(1X02).100CC STR	1	J7
55	55		1216521-00	PCB,HEADER 04PIN(1X04).156CC STR	1	J1
56	56		1216521-01	PCB,HEADER 08PIN(1X08).156CC STR	1	S201
57	57		1217485-03	MATE-N-LOK 06SKT(2X03).250CC ASS	1	J501
58	58		1218826-00	CONN,PHONE JACK 04 POS	1	J6
59	59		1218949-00	BUMPER,STRIP ADH BACK NEOPRNE	1	
60	60		1220128-01	HEAT SINK,TO-202 1.450X01.	1	
61	61		1220959-02	CONN,D SUB 09PIN ASSY PC MNT	1	J4
62	62		1222100-01	HEAT SINK,FOR P/S OUTPUT DIODE	2	
63	63		1222103-01	SKT,CRT 07POS	1	
64	64		1300168-00	10.0 .50 W 5.0 * CF	1	R213
65	65		1300197-00	33.0 .25 W 5.0 * CF	3	R105,R504,R505
66	66		1300202-00	47.0 .25 W 5.0 * CF	1	R104
67	67		1300228-00	100.0 .50 W 5.0 * CF	3	R210,R217,R317
68	68		1300250-00	150.0 .25 W 5.0 * CF	1	R102
69	69		1300274-00	220.0 .50 W 5.0 * CF	1	R108
70	70		1300295-00	330.0 .25 W 5.0 * CF	1	R509
71	71		1300316-00	470.0 .25 W 5.0 * CF	2	R212,R316
72	72		1300365-00	1.0 K .25 W 5.0 * CF	6	R230,R254,R402,R403,R525,R526
73	73		1300391-00	1.50 K .25 W 5.0 * CF	1	R401
74	74		1300398-00	1.80 K .25 W 5.0 * CF	2	R106,R200
75	75		1300417-00	2.20 K .25 W 5.0 * CF	2	R54,R226
76	76		1300439-00	3.30 K .25 W 5.0 * CF	2	R107,R208
77	77		1300447-00	4.70 K .25 W 5.0 * CF	2	R113,R301
78	78		1300521-00	47.50 K .25 W 1.0 * RN55D-F10	1	R313

D	I	G	I	T	A	L	TITLE	SECTION A OF A	SIZE	CODE	DOCUMENT NUMBER	REV
							MONITOR/POWER SUPPLY BOARD		K	PL	5415651-0-DBP	A

LINE	ITEM	DOCUMENT NUMBER	PART NUMBER	DESCRIPTION	QTY	PER VARIATION	REFERENCE DESIGNATOR
					01		
79	79		1300536-00	100.0 K 1.0 W10.0 *		CC	2 R502,R503
80	80		1301310-00	270.0 K .25 W 5.0 *		CF	1 R225
81	81		1301320-00	1.20 K .25 W 5.0 *		CF	2 R400,R206
82	82		1301775-00	820.0 .25 W 5.0 *		CF	1 R209
83	83		1301966-00	820.0 2.0 W10.0 *		CC	1 R109
84	84		1301969-00	22.0 .25 W 5.0 *		CF	1 R216
85	85		1301972-00	270.0 .25 W 5.0 *		CF	1 R231
86	86		1302177-00	47.0 K .25 W 5.0 *		CF	2 R112,R308
87	87		1302379-00	75.0 .25 W 5.0 *		CF	1 R103
88	88		1302396-00	150.0 K .25 W 5.0 *		CF	1 R205
89	89		1302398-00	470.0 K .25 W 5.0 *		CF	1 R515
90	90		1302465-00	18.0 K .25 W 5.0 *		CF	2 R202,R215
91	91		1302466-00	100.0 K .25 W 5.0 *		CF	3 R110,R222,R224
92	92		1302836-00	56.0 2.0 W 5.0 *		CC	1 R506
93	93		1303187-00	820.0 K .25 W 5.0 *		CF	1 R309
94	94		1303360-00	4.70 K .50 W 1.0 * RN60D-F10		CF	1 R311
95	95		1304841-00	75.0 K .25 W 5.0 *		CF	2 R227,R228
96	96		1304854-00	5.11 K .25 W 1.0 * RN55D-F10		CF	3 R517,R518,R520
97	97		1309150-08	500.0 .50 W10.0 *		POT	1 R527
98	98		1309405-00	68.0 .50 W 5.0 *		CF	3 R214,R508,R510
99	99		1309595-00	1.0 M .25 W 5.0 *		CF	2 R219,R220
100	100		1311845-00	487.0 .25 W 1.0 * RN55D-F10		CF	1 R523
101	101		1312546-00	16.50 K .25 W 1.0 * RN55D-F10		CF	1 R204
102	102		1312747-00	56.20 K .25 W 1.0 * RN55D-F10		CF	1 R312
103	103		1312934-00	6.80 M .25 W 5.0 *		CF	1 R223
104	104		1313349-00	33.0 K .25 W 5.0 *		CF	1 R516
105	105		1313580-00	360.0 .25 W 5.0 *		CF	3 R229,R250,R251
106	106		1313752-00	15.0 K .25 W 1.0 * RN55D-F10		CF	2 R514,R524
107	107		1313844-00	221.0 K .25 W 1.0 * RN55D-F10		CF	1 R305
108	108		1314270-03	10.0 15.0 * NTC THERM			2 R500,R501
109	109		1314615-00	.05 2.50 W 5.0 *		WW	1 R507
110	110		1314951-00	390.0 K .25 W 5.0 *		CF	1 R304
111	111		1316522-01	100.0 K .25 W20.0 *		POT	1 R307
112	112		1316522-05	250.0 K .25 W20.0 *		POT	1 R303
113	113		1316522-08	5.0 K .25 W20.0 *		POT	1 R203
114	114		1316522-09	100.0 .25 W20.0 *		POT	1 R211
115	115		1316525-00	1.0 3.0 W10.0 *		WW	1 R218
116	116		1316845-00	3.30 .50 W 5.0 *		CF	1 R310
117	117		1317399-00	6.49 K .25 W 1.0 * RN55D-F10		CF	1 R519
118	118		1317522-00	1.0 .25 W 5.0 *		CF	2 R314,R315
119	119		1318201-01	4.75 K .25 W 1.0 * RN55D-F10		CF	1 R511
120	120		1318546-33	267.0 K .25 W 1.0 * RN55D-F10		CF	1 R302
121	121		1318546-48	562.0 K .25 W 1.0 * RN55D-F10		CF	1 R306
122	122		1319563-01	5.0 M .20 W20.0 *		POT	1 R221
123	123		1320082-03	250.0 .25 W30.0 *		POT	1 R101
124	124		1320082-04	100.0 K .25 W30.0 *		POT	1 R111
125	125		1509524-00	2N 3904 NPN 310MW SI 40 40 M			1 Q400
126	126		1516490-00	MPSU05 NPN 10W SI 2A			1 Q201

D	I	G	I	T	A	L	TITLE	SECTION A OF A	SIZE	CODE	DOCUMENT NUMBER	REV
							MONITOR/POWER SUPPLY BOARD		K	PL	5415651-0-DBP	A

AUTOMATED BY PRTLST.4Q(50)

PARTS LIST

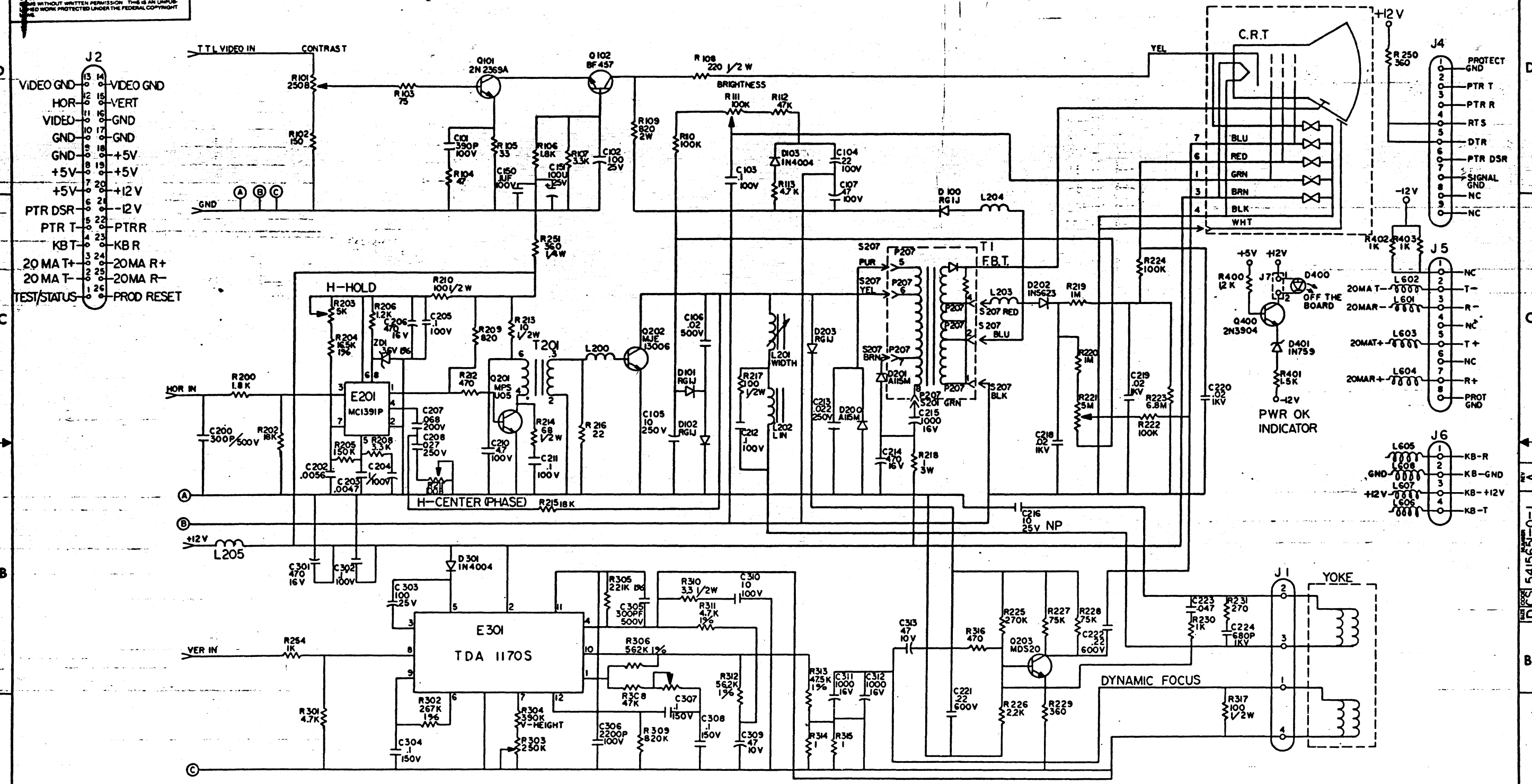
SHEET A4 OF A4

LINE	ITEM	DOCUMENT NUMBER	PART NUMBER	DESCRIPTION	QTY PER VARIATION 01	REFERENCE DESIGNATOR
127	127		1520089-01	MDS 20 NPN 2W 250V 1.5A	1	Q203
128	128		1520090-01	13006 NPN 80W 300V 8A	1	Q202
129	129		1521002-01	2N 2369A NPN 200MA 15V TO-18	1	Q101
130	130		1521341-01	2SC2335 NPN 40W 7A	2	Q501, Q502
131	131		1521924-01	BF 457 NPN	1	Q102
132	132		1616309-02	XFMR, HORIZONTAL DRIVE	1	T201
133	133		1616536-00	XFMR HORIZONTAL WIDTH	1	L201
134	134		1616538-00	COIL, HORIZONTAL, LINEAR	1	L202
135	135		1618238-02	BEAD, FERRITE .1380DX.330LG	12	L200, L203-L205, L601-L608
136	136		1621180-01	XFMR, CONVERTER	1	T501
137	137		1621638-01	XFMR P=110/220V 60HZ	1	T502
138	138		1621942-01	PULSE XFMR, 3-WOUND	1	T504
139	139		1621943-01	CHOKE, COIL, 250UH+10%	1	L501
140	140		1621944-01	CHOKE, COUPLING	1	T503
141	141		1622101-01	CHOKE, COIL, 35UH, 2.2ADC	1	L502
142	142		1912048-02	DEC 7812 VOLT REG, FIX +12V	1	E502
143	143		1914156-00	LM 393 VOLT, COMPARATOR DUAL	1	E506
144	144		1914517-01	7912 VOLT REG, FIX -12V	1	E504
145	145		1916820-00	SG3525J MODULATOR-REGULATING	1	E505
146	146		1919235-00	TDA 1170 AMP, VERTICAL DEFLECT	1	E301
147	147		1921463-01	1391 TV HORIZ. PROCESSOR	1	E201
148	148		7428565-01	THUMBWHEEL	0	
149	149		9006010-01	SCREW, MACH PAN PHIL 4-	2	
150	150		9006401-04	SCREW, NYLN BIND SLOT 4-	2	
151	151		9006557-00	NUT, HEX EXT TOOTH LCKWSHR 4-40	6	
152	152		9007925-01	TERM, QUICK .250TAB 2POS 18-2	1	
153	153		9007992-00	NUT, HEX 4-40X .246AF NYLO	2	
154	154		9008185-00	NUT, HEX EXT TOOTH LCKWSHR 6-32	2	
155	155		9008301-01	SCREW, MACH PAN PHIL 4-	4	
156	156		9009538-00	BUMPER, ADH BACK RUBBER	1	
157	157		9009798-01	SPACER, CLEAR HOLE RND CERAM .07	4	
158	158		9009993-01	WASHER, INSUL, TRANSISTOR PLASTIC	2	
159	159		9009996-00	TIE, CABLE PRELOADED MAG.100 EA	3	
160	160		9010421-01	SCREW, PAN PHIL THD RL 2-	2	
161	161		9010494-01	WASHER, INSULATING	1	
162	162		9107255-00	TUBING, SHRINK .125ID EXP	20	
163	163		9006020-01	SCREW, MACH PAN PHIL 6-	2	

D	I	G	I	T	A	L	TITLE	SECTION A OF A	SIZE	CODE	DOCUMENT NUMBER	REV
							MONITOR/POWER SUPPLY BOARD		K	PL	5415651-0-DBP	A



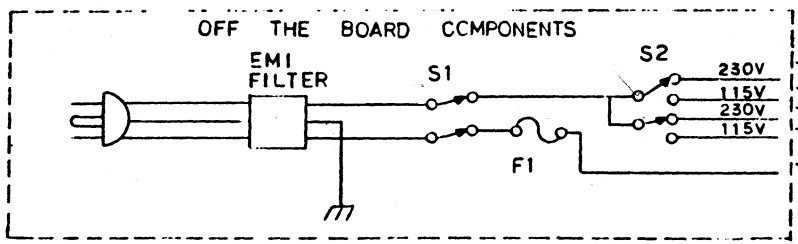
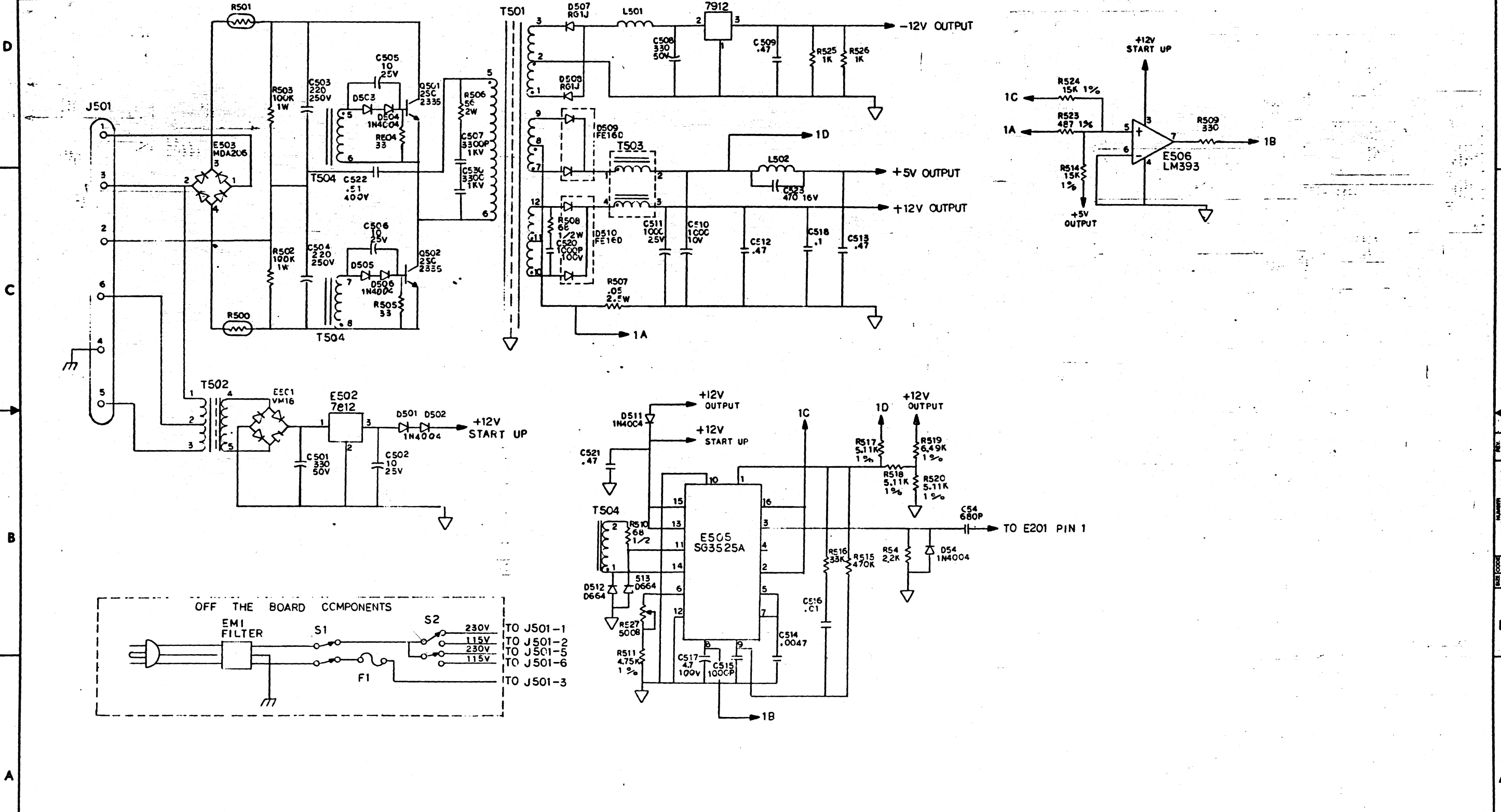
THIS DRAWING AND THE SPECIFICATIONS CONTAINED HEREIN ARE CONFIDENTIAL AND PROPRIETARY. THEY ARE THE PROPERTY OF DIGITAL EQUIPMENT CORPORATION AND SHALL NOT BE REPRODUCED OR COPIED OR USED IN WHOLE OR IN PART AS THE BASIS FOR MANUFACTURE OR SALE OF PRODUCTS WITHOUT WRITTEN PERMISSION. THIS IS AN UNPUBLISHED WORK PROTECTED UNDER THE FEDERAL COPYRIGHT ACT.



REVISION HISTORY		DATE
REV	INT REL	
A		

DESIGNER	V LIN	DATE	17-JUN-83	TITLE	digital
DESIGNED BY	J. B. LUO	DATE	17-JUN-83	VT220 P/S AND	
DESIGNED BY	J. B. LUO	DATE	17-JUN-83	MONITOR BD.	
PREPARED BY	JANE LOUIS	DATE	17-JUN-83	DOCUMENT NUMBER	
APPROVED BY	CLYDE TANNER	DATE	8-25-83	SCALE	NONE
PART NO. B-DD-5415651-0				REV	A
				SHEET	1 OF 2

THIS DRAWING AND THE SPECIFICATIONS CONTAINED HEREIN ARE CONFIDENTIAL AND PROPRIETARY. THEY ARE THE PROPERTY OF DIGITAL EQUIPMENT CORPORATION AND SHALL NOT BE REPRODUCED OR COPIED OR USED IN WHOLE OR IN PART AS THE BASIS FOR THE MANUFACTURE OR SALE OF ITEMS WITHOUT WRITTEN PERMISSION. THIS IS AN UNFINISHED WORK PROTECTED UNDER THE FEDERAL COPYRIGHT LAWS.



REVISION HISTORY		
REV.	ECO NUMBER	DATE

DOCUMENT NUMBER		
SIZE CODE	NUMBER	REV.
D CS	5415651-0-1	A
SCALE	NCNE	SHEET 2 OF 2

TITLE VT220 P/S AND MONITOR BD.

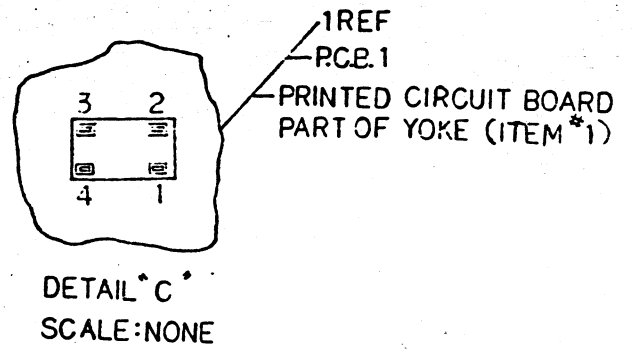
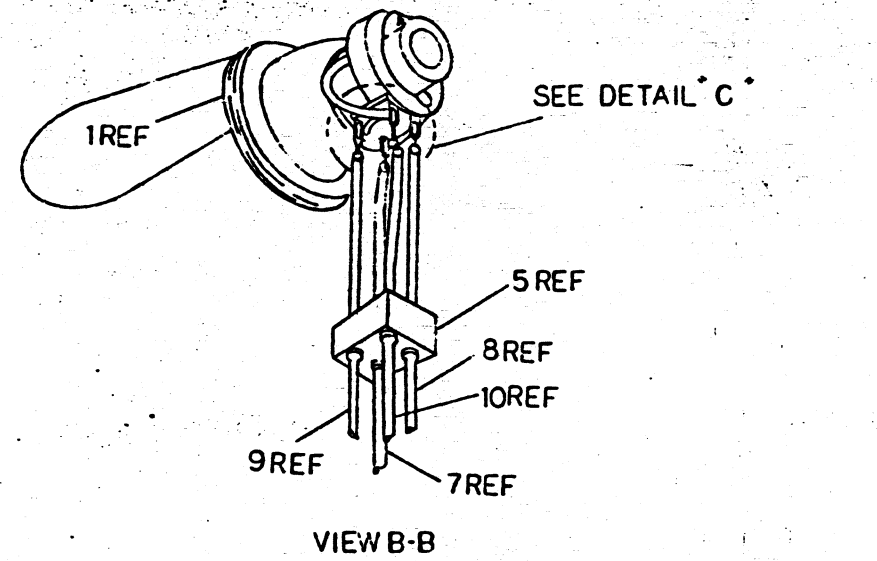
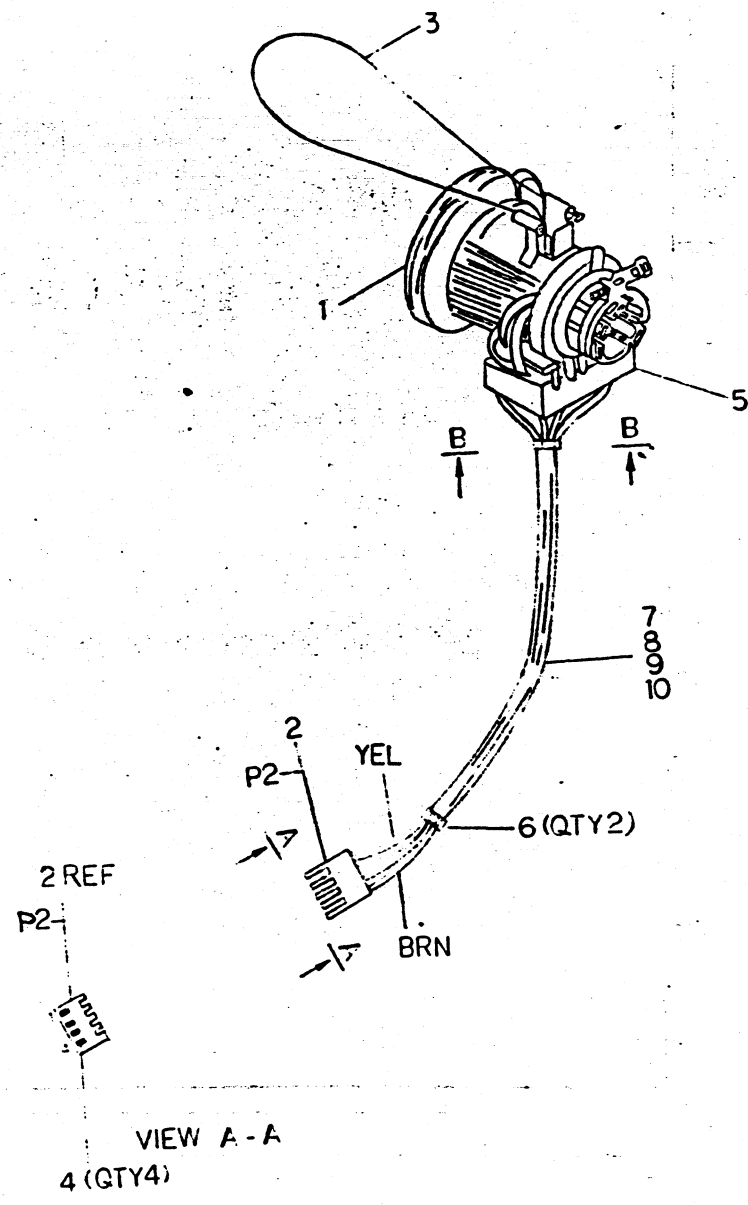
THIS DRAWING AND SPECIFICATIONS HEREIN ARE THE PROPERTY OF DIGITAL EQUIPMENT CORPORATION AND SHALL NOT BE REPRODUCED OR COPIED OR USED IN WHOLE OR IN PART AS THE BASIS FOR THE MANUFACTURE OR SALE OF ITEMS WITHOUT WRITTEN PERMISSION.  
 © 1973 DIGITAL EQUIPMENT CORPORATION

NUMBER	REV	VARIATION
70 20780-01	A1	AS SHOWN

ITEM NO	DESCRIPTION		FROM		TO		WIRE LENGTHS
	A.W.G.	COLOR	CONNECTION	WITH	CONNECTION	WITH	
9	22	YEL	P.C.B.1-4	*	P2-4	4	9.5 IN
10	22	GN	P.C.B.1-3	*	P2-2	4	9.5 IN
3	22	RED	P.C.B.1-2	*	P2-3	4	10.3 IN
7	22	BRN	P.C.B.1-1	*	P2-1	4	10.3 IN

\* INDICATES SOLDER

NOTES:  
 1. SLIDE TERMINAL COVER (ITEM 5), OVER WIRES.  
 SOLDER WIRES TO TERMINALS AS CLASSIFIED BY COLOR.  
 USING WIRE TABLE



CAUTION: OFF SHEET PARTS LIST EXISTS  
 REFER TO KPL-7020780-0-DBP

DATE	REV	UNIT	REL	A

DESCRIPTION	DRAWING NO.	PART NO.	ITEM NO.
UNLESS OTHERWISE SPECIFIED DIMENSIONS ARE IN INCHES AND THE FOLLOWING TOLERANCES APPLY (PER DEC STD 114)			
INCHES TOLERANCES	ANGLES ± 0° 30'	APPLICABLE DIMENSION RANGE	
X = ± 0.1	SURFACE QUALITY	OVER 0 TO 0.2	OVER 0.2 TO 0.4
XX = ± 0.02		OVER 0.4 TO 1.2	OVER 1.2 TO 4.0
XXX = ± 0.005		OVER 1.2 TO 4.0	OVER 4.0 TO 12.0
		OVER 12.0 TO 40.0	OVER 40.0 TO 60.0
FIRST USED ON VT220	QUANTITY & VARIATION	MICROINCHES	
THIRD ANGLE PROJECTION	DATE 4-JUN-73	TITLE digital	
DO NOT SCALE DRAWING	DATE 1-JUN-73	YOKE ASSEMBLY	
REMOVE BURRS AND BREAK SHARP CORNERS	DATE	DOCUMENT NUMBER	
MATERIAL	DATE 8-9-73	DIA 702078000 A	
FINISH	DATE	SCALE	

LINE	ITEM	DOCUMENT NUMBER	PART NUMBER	DESCRIPTION	QUANTITY PER VARIATION
1	1		1220096-02	YOKE, DEFLECTION	1
2	2		1216520-01	CONN, P+S 04POS(1X04) HSG	1
3	3		1216518-02	SPRING, GROUNDNG WIR .0430DX11.31	1
4	4		1216519-00	CONN, P+S 01POS 24-18AWG CANTIL	4
5	5	C-MD-7425911-0-0	7425911-00	COVER, TERMINAL (49-TA306-00)	1
6	6		9009996-00	TIE, CABLE PRELOADED MAG.100 EA	2
7	7	SEE NOTE	9107804-11	WIRE, 22AWG( 07/30)PVC 600V1	REF
8	8	SEE NOTE	9107804-22	WIRE, 22AWG( 07/30)PVC 600V1	REF
9	9	SEE NOTE	9107804-44	WIRE, 22AWG( 07/30)PVC 600V1	REF
10	10	SEE NOTE	9107804-99	WIRE, 22AWG( 07/30)PVC 600V1	REF

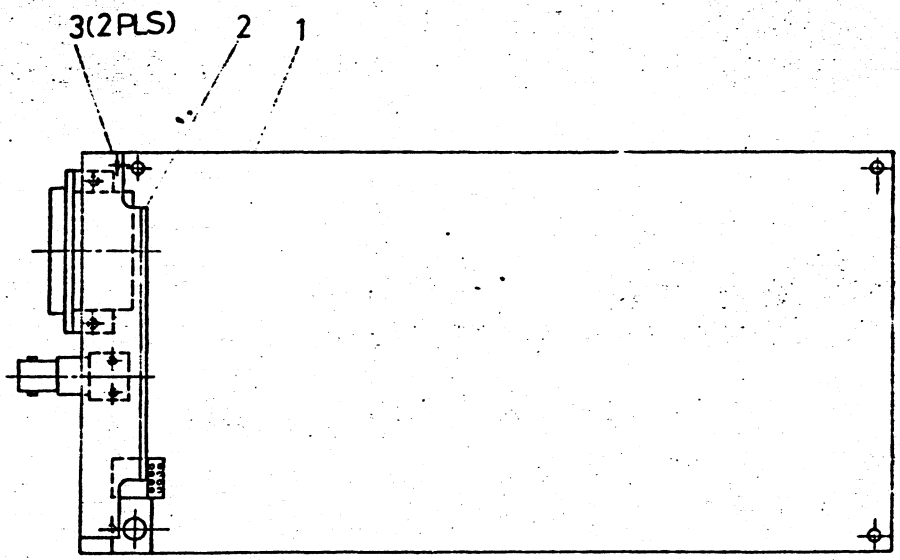
11 NOTE: ITEM #7 IS 10.3 IN., ITEM #8 IS 10.3 IN., ITEM #9 IS 9.5 IN., ITEM #10 IS 9.5 IN.

REVISION HISTORY		BASIC PART NO: 7020780		DRN:	L. JEAN	DATE:	1-JUL-83	D I G I T A L			
ENG	ECO NUMBER	REV.	SECTION A OF A	CHK'D:	S. TSAI	DATE:	19-AUG-83	TITLE PARTS LIST			
	INITIAL	A	SECTION. VARIATION INDEX					YOKE ASSY			
			[A] 01	DES.ENG.:	L. JEAN	DATE:	1-JUL-83	DOCUMENT NUMBER			
			[B]	RESP.ENG.:	S. TSAI	DATE:	19-AUG-83	SIZE	CODE	NUMBER	REV
			[C]	MFG.ENG.:	G. WU	DATE:	19-AUG-83	K	PL	7020780-0-DBP	A
			[D]	ASSEMBLY NUMBER:	D-IA-7020780-0-0	TOP DOCUMENT NUMBER:	#B-DD-VT220-0	FILE NAME:		Z7631A.PLS	EDIT #
			[E]								3
			[F]	"THIS DRAWING AND SPECIFICATIONS HEREIN, ARE THE PROPERTY OF DIGITAL EQUIPMENT CORPORATION AND SHALL NOT BE REPRODUCED OR COPIED OR USED IN WHOLE OR IN PART AS THE BASIS FOR THE MANUFACTURE OR SALE OF ITEMS WITHOUT WRITTEN PERMISSION. COPYRIGHT (C) 1983. DIGITAL EQUIPMENT CORPORATION "							

THIS DRAWING AND SPECIFICATIONS HEREIN ARE THE PROPERTY OF DIGITAL EQUIPMENT CORPORATION AND SHALL NOT BE REPRODUCED OR COPIED OR USED IN WHOLE OR IN PART AS THE BASIS FOR THE MANUFACTURE OR SALE OF ITEMS WITHOUT WRITTEN PERMISSION.  
 COPYRIGHT © 1983 DIGITAL EQUIPMENT CORPORATION

7020814-01

LEGEND		
NUMBER	REV	VARIATION
7020814-01	A1	AS SHOWN



CAUTION  
 OFF SHEET PARTS LIST EXIST. SEE  
 K-PL-7020814-0-DBP

DATE	ECO NUMBER	REV
		A

DESCRIPTION	DRAWING NO.	PART NO.	ITEM NO.
UNLESS OTHERWISE SPECIFIED DIMENSIONS ARE IN INCHES AND THE FOLLOWING TOLERANCES APPLY (PER DEC STD 114)			
INCHES TOLERANCES X = ± .1 XX = ± .05 XXX = ± .010	ANGLES ± 0° 30'	APPLICABLE DIMENSION RANGE	
		DIMENSION RANGE IN INCHES	
SURFACE QUALITY MICRONISHES	APPLICABLE DIMENSION RANGE	OVER 0 TO 0.2	OVER 0.2 TO 0.4
		OVER 0.4 TO 1.2	OVER 1.2 TO 4.0
THIRD ANGLE PROJECTION DO NOT SCALE DRAWING REMOVE BURRS AND BREAK SHARP CORNERS	DATE K. L. SHEN 6-11-83	DATE S. F. TSAI 7-1-83	TITLE digital
			TITLE TCB BEZEL ASSY
MATERIAL	DATE S. F. TSAI 7-1-83	DATE A. W. 8-9-83	DOCUMENT NUMBER
			DOCUMENT NUMBER
FINISH	NEXT HIGHER DOC FAD-7020814-0-DBP	SCALE	SHEET OF

8 7 6 5 4 3 2 1  
 A B C D  
 7020814-0-DBP

LINE	ITEM	DOCUMENT NUMBER	PART NUMBER	DESCRIPTION	QUANTITY PER VARIATION
1	1	D-UA-5415653-0-0	5415653-01	TERMINAL COMP.	1
2	2	C-MD-7429063-0-0	7429063-01	BEZEL,TCB	1
3	3		9010482-01	SCREW, PAN PHIL THD RL 2-	2

REVISION HISTORY		BASIC PART NO: 7020814		DRN:	K. SHEN	DATE:	13-MAY-83	D I G I T A L			
ENG	ECO NUMBER	REV	SECTION A OF A	CHK'D:	S. TSAI	DATE:	19-AUG-83	TITLE		PARTS LIST	
	INITIAL	A	SECTION. VARIATION INDEX					TCB BEZEL ASSY			
			[A] 01	DES.ENG.:	K. SHEN	DATE:	13-MAY-83	DOCUMENT NUMBER			
			[B]	RESP.ENG.:	S. TSAI	DATE:	19-AUG-83	SIZE	CODE	NUMBER	REV
			[C]	MFG.ENG.:	G. WU	DATE:	19-AUG-83	K	PL	7020814-0-DBP	A
			[D]	ASSEMBLY NUMBER:	D-AD-7020814-0-0	TOP DOCUMENT NUMBER:	#B-DD-VT220-0	FILE NAME:		EDIT #	
			[E]					Z7659A.PLS		5	
			[F]	"THIS DRAWING AND SPECIFICATIONS HEREIN, ARE THE PROPERTY OF DIGITAL EQUIPMENT CORPORATION AND SHALL NOT BE REPRODUCED OR COPIED OR USED IN WHOLE OR IN PART AS THE BASIS FOR THE MANUFACTURE OR SALE OF ITEMS WITHOUT WRITTEN PERMISSION. COPYRIGHT (C) 1983. DIGITAL EQUIPMENT CORPORATION "							