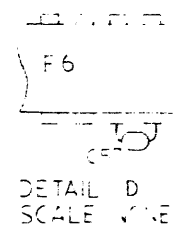
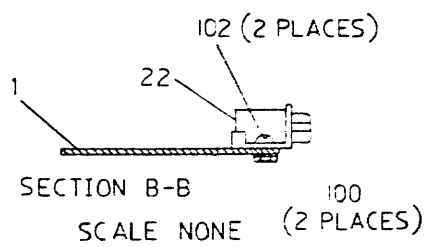
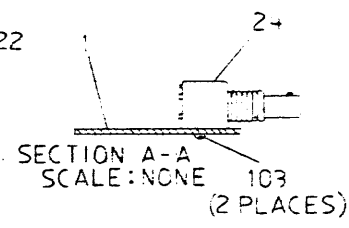
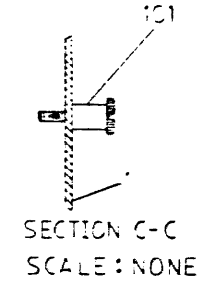
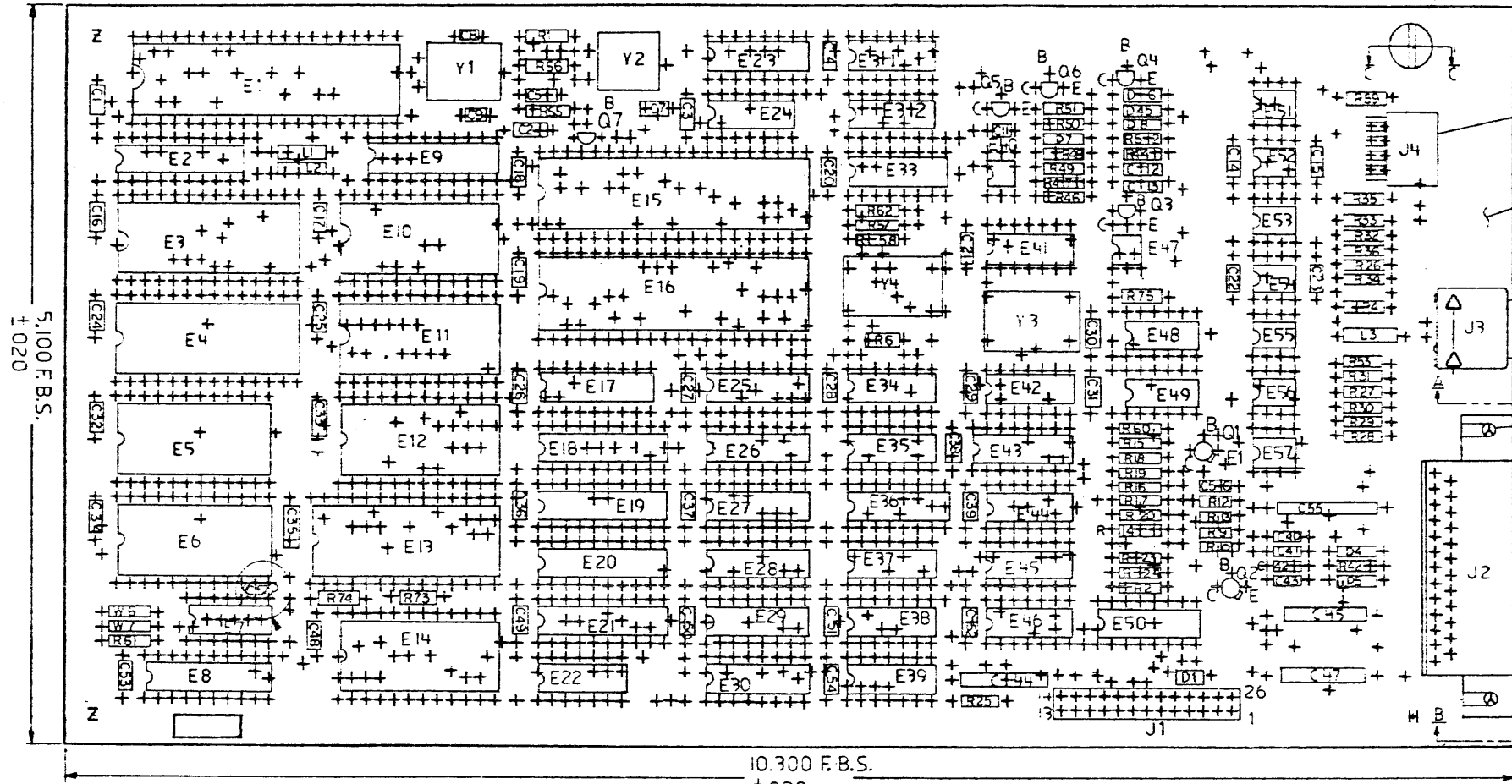


THIS DRAWING AND SPECIFICATIONS, HEREIN, ARE THE PROPERTY OF DIGITAL EQUIPMENT CORPORATION AND SHALL NOT BE REPRODUCED OR COPIED OR USED IN WHOLE OR IN PART AS THE BASIS FOR THE MANUFACTURE OR SALE OF ITEMS WITHOUT WRITTEN PERMISSION.
 COPYRIGHT © 1983, DIGITAL EQUIPMENT CORPORATION

NOTE: THERE EXISTS TWO SEPARATE 5015652-01 BOARDS MARKED REV A1. BOARDS MARKED SERIAL NUMBER TA 34300400 OR LOWER ARE ACTUALLY ETCH REV A1. BOARDS MARKED SERIAL NUMBER TA 34300401 OR HIGHER THAT ARE MARKED REV A1 ARE ACTUALLY ETCH REV B1.

VIEWED FROM SIDE 1
 COMPONENT SIDE



OFF SHEET PARTS LIST EXISTS.
 SEE K-PL-5415653-0-DBR.

REV.	CHG. NO.	DATE	BY	CHK.
A				
B				
C				

INT REL
 5415653-
 TA001

San Mateo 3-20-84
 G. CHRISTIANSON

San Mateo 5-24-84
 G. CHRISTIANSON

DRN. W. J. WANG 2 JUN 83	FIRST USED ON	VT220	Digital
CHK'D H. M. HSIAO 2 JUN 83	TITLE	VT220	
ENG. SW. CHENG 2 JUN 83	PROD. C. Wang 2 JUN 83	825-83	
PROD. C. Wang 825-83	NEXT HIGHER ASSY.		
BDD-5415653-0-0	SIZE	CODE	NUMBER
SCALE	D	UA	5415653-0-0
SHEET 1 OF 1	DIST.		REV. C

LINE	ITEM	TOP DOCUMENT	PART NUMBER	MIN REV	DESCRIPTION	QTY PER VARIATION	REFERENCE DESIGNATOR
1	1	D-MD-5015652-0-0	5015652-01		CIRCUIT DRILL AND ETCH BOARD	1	
2	2		1000006-00		10.0 MMF 100V 5%200PPM MICA	1	C7
3	3		1000020-00		180.0 MMF 100V 5%200PPM MICA	1	C56
4	4		1000022-00		270.0 MMF 100V 5%200PPM MICA	3	C12,C13,C57
5	5		1001610-00		.01 MFD 50V +80-20% Z5U CER	37	C1,C2,C4,C11,C14-C39,C48-C54
6	6		1002608-00		18.0 MMF 100V 55200PPM MICA	2	C8,C9
7	7		1010274-00		.22 MFD 50V +80-20% Z5U CER	3	C41-C43
8	8		1012312-01		.47 MFD 50V +80-20% CER	2	C2,C3
9	9		1017472-00		10 MFD 35V +75-10% AL EL	1	C46
10	10		1018220-06		2200 MFD 6.3V	1	C47
11	11		1020446-12		220 MFD 16V +50-10% AL EL	1	C53
12	12		1022277-01		22 MFD 16V +50-10% AL EL	1	C44
13	13		1100114-00		PIV= 25 IO=135 MA	2	D1,D9
14	14		1102421-00		VZ= 6.2 5% 400 MW 1N753A	1	C4
15	15		1105275-00		PIV= 60 IO=300 MA -15NS	2	D6,D7
16	16		1105610-00		CURRENT LIMIT 1.0 MA	1	D8
17	17		1105796-00		PIV= 400 IO= 1.00A 1N4004 DO-41	1	D5
18	18		1215006-07		SKT,IC 28PIN DIP TIN SOLDER	3	XE3,XE4,XE13
19	19		1215006-08		SKT,IC 40PIN DIP TIN SOLDER	3	XE1,XE15,XE16
20	20		1217652-01		PCB HEADER 08POS(2X04) 10000 90D	1	J4
21	21		1219952-02		PCB HEADER 26PIN(2X13) 10000 STR	1	J1
22	22		1220959-03		CONN,D SUB 25PIN ASSY PC MNT	1	J2
23	24		1222216-01		CONN,COAX BNC RCPT SCRE	1	J3
24	25		1300197-00		33.0 .25 W 5.0 % CF	1	R47
25	26		1300229-00		100.0 .25 W 5.0 % CF	6	R6,R12,R53,R60,R73,R74
26	27		1300247-00		120.0 .25 W 5.0 % CF	1	R25
27	28		1300250-00		150.0 .25 W 5.0 % CF	2	R24,R52
28	29		1300271-00		220.0 .25 W 5.0 % CF	2	R13,R23
29	30		1300295-00		330.0 .25 W 5.0 % CF	1	R42
30	31		1300309-00		350.0 .25 W 5.0 % CF	2	R45,R46

REVISION HISTORY			BASIC PART NO: 5415653						
ENG	ECO NUMBER	REV	SECTION A OF A	DRN:	RITA BUREAU	DATE:	23-AUG-83	D I G I T A L	
---	INITIAL	A	SECTION VARIATION INDEX	CHK'D:	JOHN DEVIN	DATE:	26-AUG-83	TITLE PARTS LIST	
GC	5415653-TA001	B	[A] 01					VT220 TERMINAL CONTROL	
CG	5415653-TA002	C	[B]	DES.ENG:	H. T. CHO	DATE:	26-AUG-83	DOCUMENT NUMBER	
			[C]					SIZE CODE NUMBER REV	
			[D]	RESP.ENG.:	H. T. CHO	DATE:	26-AUG-83	K I P L 5415653-0-DBP C	
			[E]					RELEASE DATE: 25-MAY-84	
			[F]	MFG.ENG.:	CLYDE TANNER	DATE:	26-AUG-83	ASSEMBLY NUMBER: TOP DOCUMENT NUMBER: FILE NAME: EDIT #	
			[G]					D-UA-5415653-0-C B-DD-5415653-0-0 254500.PLS 15	
			[H]						
			[I]						
			[J]						
			[K]						
			[L]						
			[M]						
			[N]						

"THIS DRAWING AND THE SPECIFICATIONS CONTAINED HEREIN ARE CONFIDENTIAL AND PROPRIETARY. THEY ARE THE PROPERTY OF DIGITAL EQUIPMENT CORPORATION AND SHALL NOT BE REPRODUCED OR COPIED OR USED IN WHOLE OR IN PART AS THE BASIS FOR THE MANUFACTURE OR SALE OF ITEMS WITHOUT WRITTEN PERMISSION. THIS IS AN UNPUBLISHED WORK PROTECTED UNDER THE FEDERAL COPYRIGHT LAWS."

LINE	ITEM	TOP DOCUMENT	PART NUMBER	MIN REV	DESCRIPTION	QTY PER VARIATION	REFERENCE DESIGNATOR
					VARIATION REVISION LEVEL:	01	
						B1	
79	80		1914214-00		LS374 FF-D OCTAL EDGE TRIG	2	
80	81		1914451-00		LS393 COUNTER BINARY, 4BIT	1	E19, E21
81	82		1915019-00		LS336 NAND BUFFER-QUAD 2IN	1	E7
82	83		1915218-00		LS243 TRANSCEIVER, BUS, OCT	1	E34
83	84		1915219-00		LS373 FF-D OCTAL-TRANSPARE	2	E9, E18
84	85		1915415-00		LS335 DRIVER DUAL, EIA RS-	1	E2
85	86		1915758-00		LS168 SHIFT REG. 8BIT PARA	3	E52-E54
86	87		1916959-00		OPTOTRANSISTOR	1	E27
87	88		1919542-01		RECEIVER, LINE, DUAL	2	E40, E47
88	89		2117872-01		RAM 2KX8 I/O MUXD 25	4	E51, E55-E57
89	90		2117872-02		RAM 2KX8 I/O MUXD 20	5	E5, E6, E10-E12
90	91		2120065-01		CONTROLLER, CRT	1	E14
91	92		2120068-01		REC./TRANS., ASYNC, 1/0	1	E15
92	93		2120263-01		RAM 256X4 NON-VOLATILE	1	E13
93	94		23011M1-00	M1-01		1	E17
94	95		23012E5-00	E5-02		1	E1
95	96		23247E4-00	E4-06		1	E3
96	97		23248E4-00	E4-06		1	E12
97	98		9006010-01		SCREW, MICH PAN D-11 4-	1	E4
98	99		9007201-00		*** THIS ITEM IS NOT USED ***	2	
99	100		9008054-00		NUT, HEX SLF LCKNG NUT INS 4-40	-	
100	101		9009116-01		SCREW, CAPTIV ASSY 6-32	2	
101	102		9009185-00		JUMPER WIRE, INSULATED, BLACK 3	1	
102	103		9010482-01		SCREW, PAN PHIL THD RL 2-	1	W7
103	104		9006557-00	A	NUT, HEX EXT TOOTH LOCKSHR 4-40	2	

D	I	G	I	T	T	TITLE	SECTION	OF	A	SIZE	CODE	DOCUMENT NUMBER	REV.
						VT220 TERMINAL CONTROL				K	PL	E415653-0-DEF	C

LINE	ITEM	TOP DOCUMENT	PART NUMBER	MIN REV	DESCRIPTION	VARIATION	REVISION LEVEL	QTY	REF VARIATION	REFERENCE DESIGNATOR
31	32		1300316-00							
32	33		1300365-00							
33	34		1300391-00							R9,R59,R61,R62,R75
34	35		1300398-00							
35	36		1300417-00							
36	37		1300426-00							
37	38		1300432-00							
38	39		1300444-00							
39	40		1300447-00							
40	41		1300488-00							R58
41	42		1300539-00				CF			R26-R33,R2
42	43		1301327-00							
43	44		1301401-00							
44	45		1301422-00							
45	46		1302379-00							
46	47		1302388-00							
47	48		1302398-00							
48	49		1302514-00							
49	50		1303177-00							
50	51		1304841-00							
51	52		1501913-00		ZY 2904A	PNP	500MW	SI	60 40	R36
52	53		1509338-00		DEC 5531B	NPN	500MW	SI	40 90	R2
53	54		1510705-00		X2 05	NPN	500MW	SI	60 50	R7
54	55		1510706-00		X2 55	PNP	500MW	SI	60 50	
55	56		1618238-02		BEAD	FERRITE				
56	57		1811660-59		OSCILLATOR	XTAL		15.288	MHz	
57	58		1812396-12		XTAL			11.059	MHz	
58	59		1812396-16		XTAL			3.6864	MHz	
59	60		1814830-01		OSCILLATOR	XTAL		22.896	MHz	
60	61		1909929-00		7417	BUFFER	GATE-HEX	1IN		
61	62		1910236-00		DEC 7426	NAND	GATE-QUAD	2IN		
62	63		1910544-00		74S74	FF-D	DUAL,EDGE	TRIGG		
63	64		1910550-00		74S174	FF-D	HEX			
64	65		1912096-00		DEC 74S86	XOR	GATE,QUAD	2IN		E43
65	66		1912697-00		LS174	FF-D	HEX W/CLEAR			
66	67		1912799-00		LS00	NAND	GATE-QUAD	2IN		E28,E29,E50
67	68		1912801-00		LS02	NOR	GATE-QUAD	2IN		
68	69		1912803-00		LS04	INVERTER	GATE,HEX			
69	70		1912805-00		LS08	AND	GATE-QUAD	2IN		E44
70	71		1912807-00		LS10	NAND	GATE-TRIPLE	3IN		E41
71	72		1912813-00		LS27	NOR	GATE-TRIPLE	3IN		
72	73		1912816-00		LS32	OR	GATE-QUAD	2IN,POS		
73	74		1912820-00		LS51	A-D	GATE 2-WIDE			
74	75		1912824-00		LS74	FF-D	DUAL,EDGE	TRIGG		
75	76		1912842-00		LS138	DECIDER	THREE INPUT			
76	77		1912843-00		LS139	DECIDER	2 OF 4(DUAL)			
77	78		1912847-00		LS157	MUX	1 OF 2(QUAD)			E30
78	79		1912863-00		LS273	FF-D	DCTAL W/CLEAR			E20

D	G	A	TITLE	VT220 TERMINAL CONTROL	SECTION 4 OF 4	SIZE	CODE	DOCUMENT NUMBER	REV.
						K	F	5415653-0-SEP	C

THIS DRAWING AND ASSOCIATED DRAWINGS ARE THE PROPERTY OF BELL TELEPHONE CORPORATION AND SHALL BE KEPT CONFIDENTIAL AND RETURNED TO BELL TELEPHONE CORPORATION UPON REQUEST. © 1953, BELL TELEPHONE CORPORATION

D

C

B

A

8

7

6

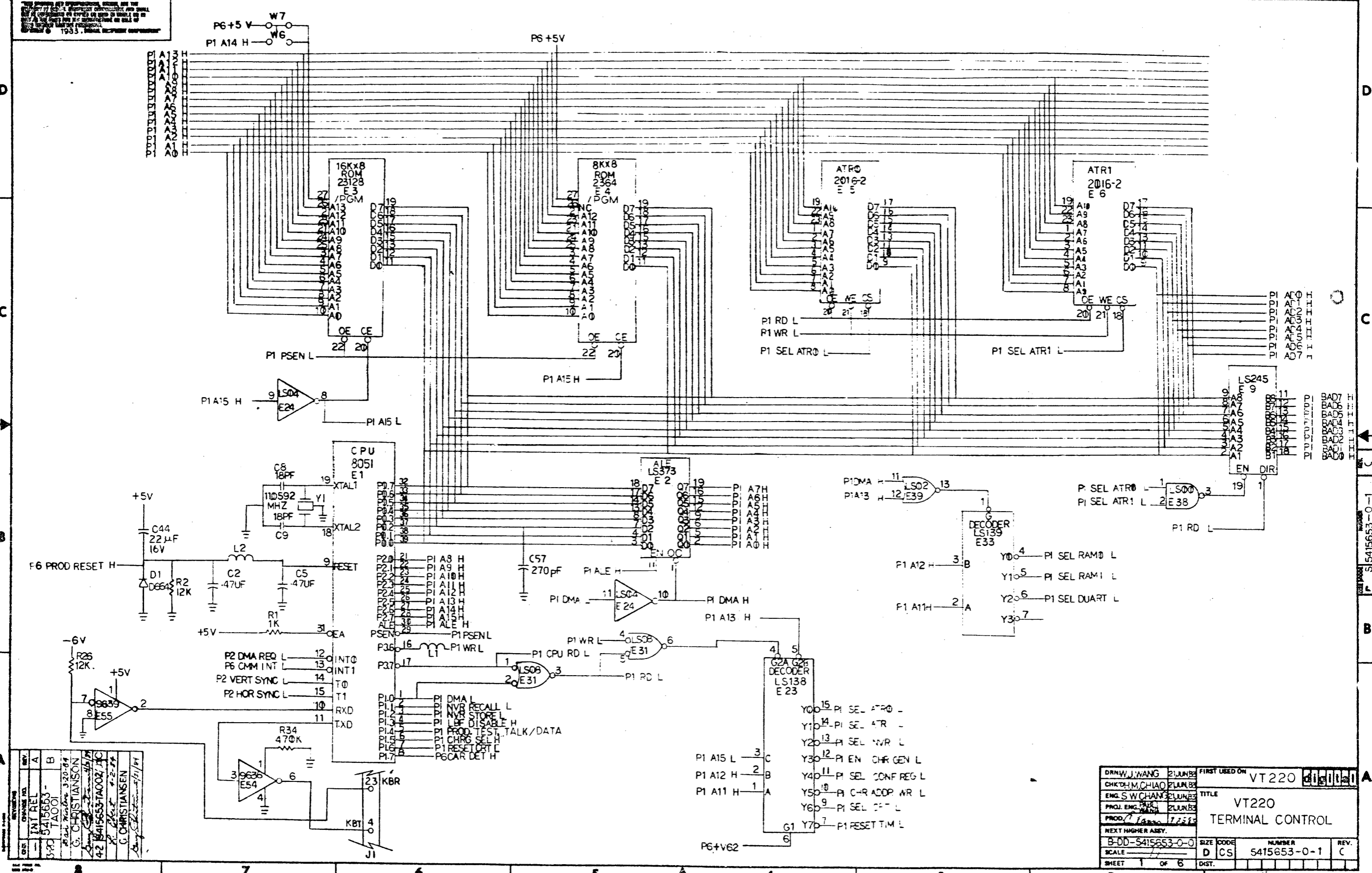
5

4

3

2

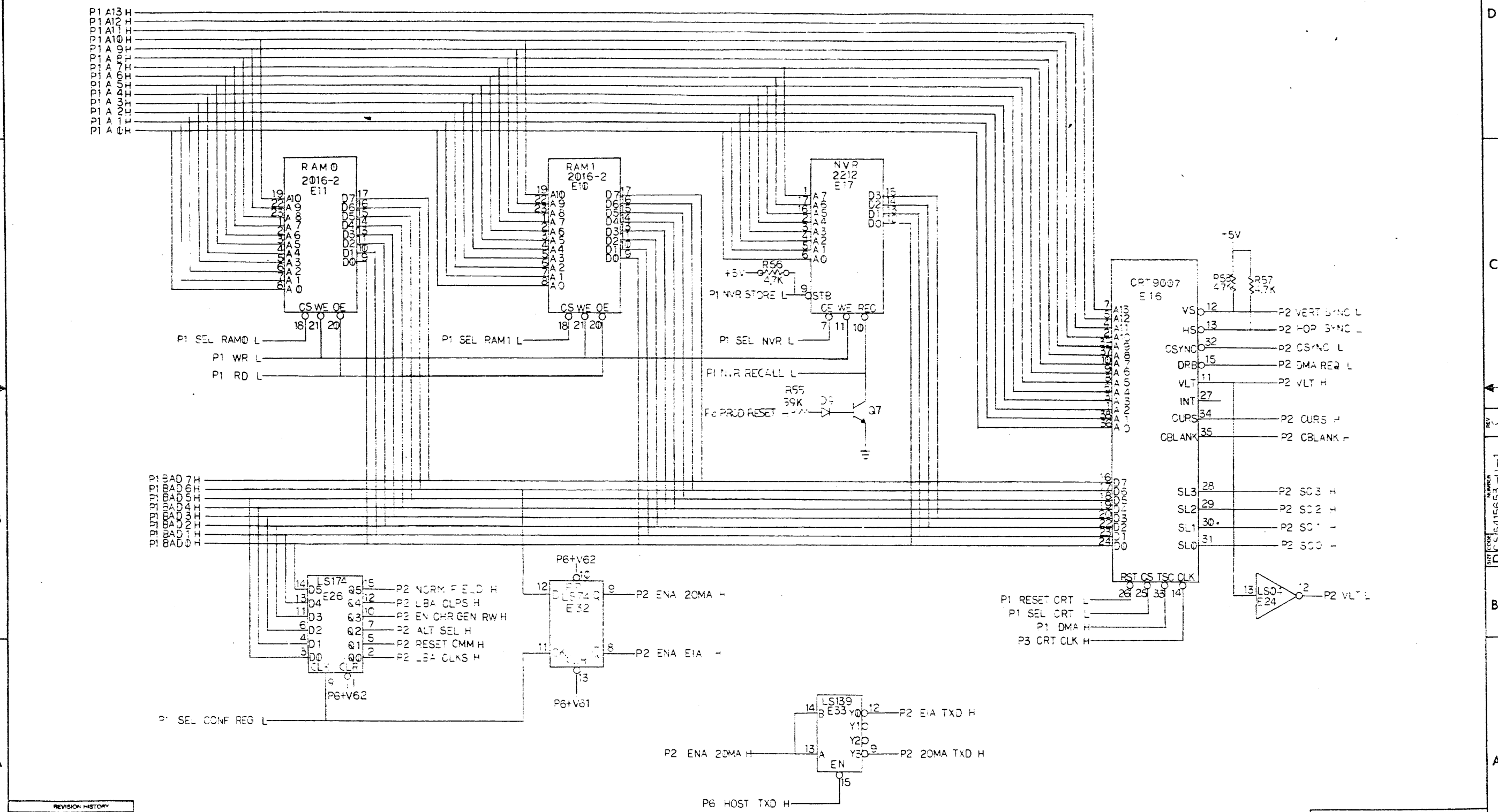
1



REV	DATE	BY	CHKD	APPD	DESCRIPTION
1	3-20-64	G. CHRISTIANSON			INIT REL
2	5-15-63	G. CHRISTIANSON			TAOOI
3	5-15-63	G. CHRISTIANSON			TAOOI
4	5-15-63	G. CHRISTIANSON			TAOOI
5	5-15-63	G. CHRISTIANSON			TAOOI
6	5-15-63	G. CHRISTIANSON			TAOOI
7	5-15-63	G. CHRISTIANSON			TAOOI
8	5-15-63	G. CHRISTIANSON			TAOOI

DRN: J. WANG	21 JUN 63	FIRST USED ON	VT220
CHKD: M. CHIAO	21 JUN 63	TITLE	VT220
ENG: S. W. CHANG	21 JUN 63		TERMINAL CONTROL
PROJ. ENG: J. WANG	21 JUN 63		
PROD. ENGR: J. WANG	21 JUN 63		
NEXT HIGHER ASSY.			
B-D-5415653-0-0			
SCALE	D CS	NUMBER	5415653-0-1
SHEET	1 OF 6	DIST.	

THIS DRAWING AND THE SPECIFICATIONS CONTAINED HEREIN ARE CONFIDENTIAL AND PROPRIETARY. THEY ARE THE PROPERTY OF DIGITAL EQUIPMENT CORPORATION AND SHALL NOT BE REPRODUCED OR COPIED OR USED IN WHOLE OR IN PART AS THE BASIS FOR THE MANUFACTURE OR SALE OF ITEMS WITHOUT WRITTEN PERMISSION. THIS IS AN UNPUBLISHED WORK PROTECTED UNDER THE FEDERAL COPYRIGHT LAWS.

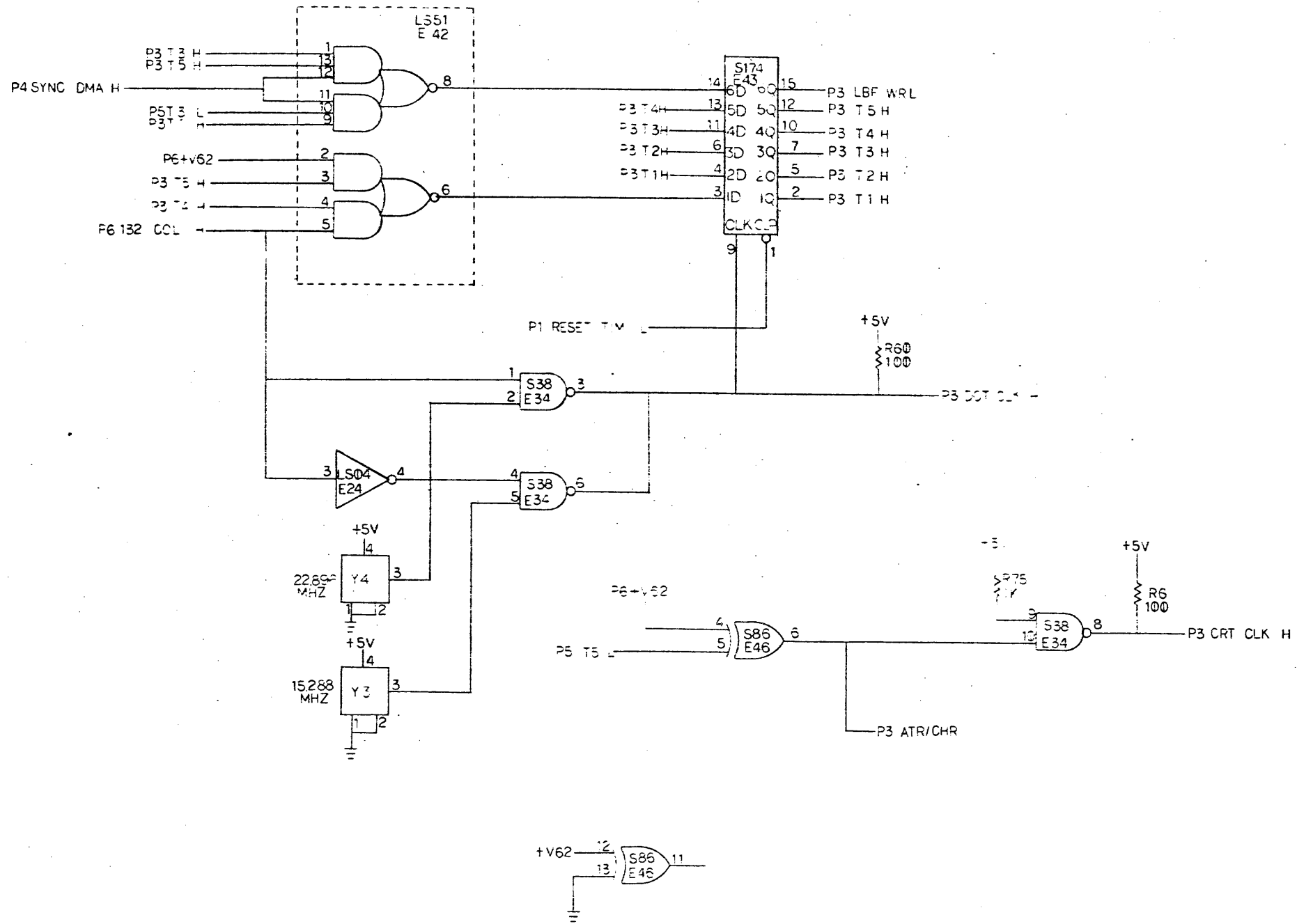


REVISION HISTORY		
REV	ECO NUMBER	DATE

DOCUMENT NUMBER		REV
SIZE CODE	NUMBER	
Dcs	5415653-0-1	0
SCALE	SHEET 2 OF 6	

TITLE
VT220
TERMINAL CONTROL

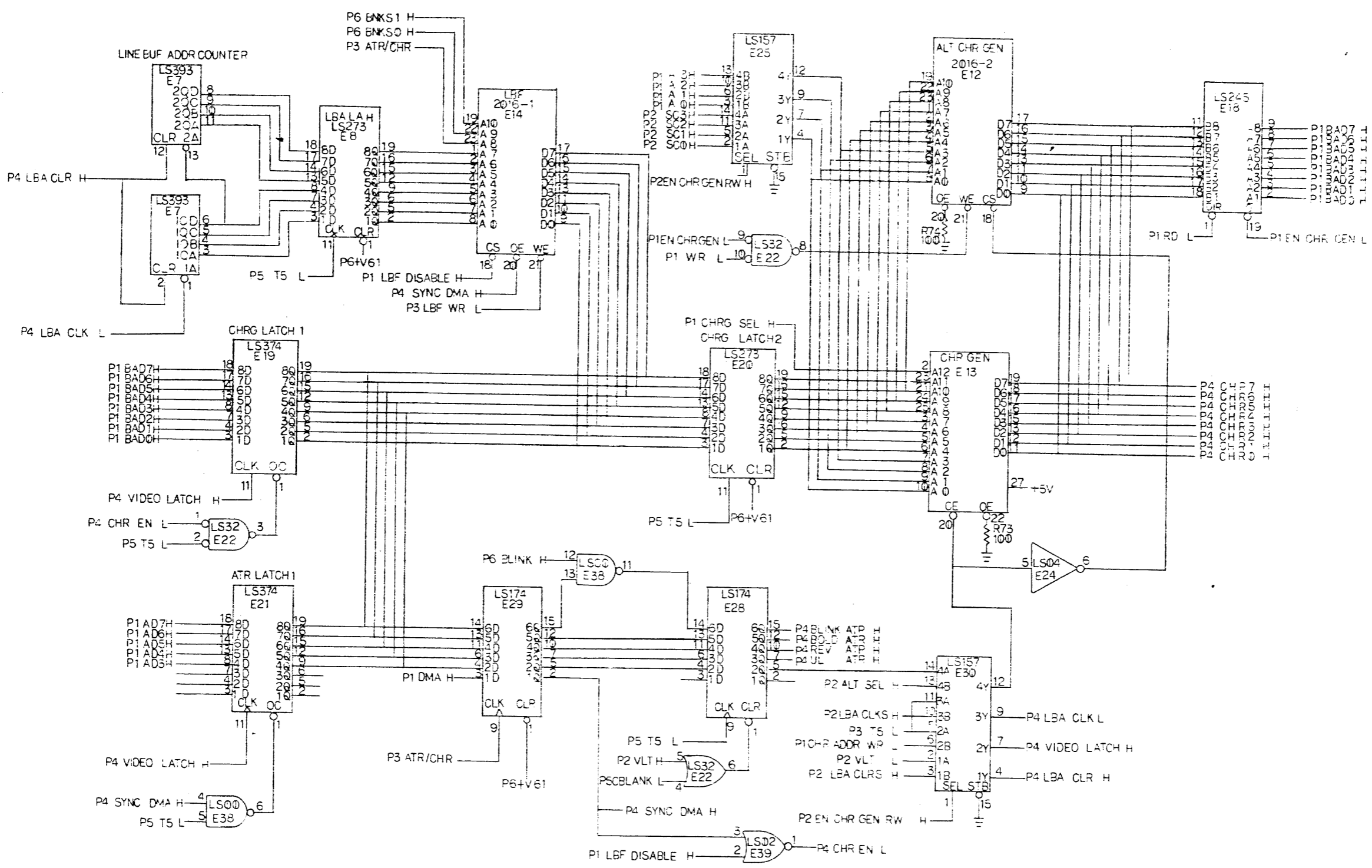
THIS DRAWING AND THE SPECIFICATIONS CONTAINED HEREIN ARE CONFIDENTIAL AND PROPRIETARY. THEY ARE THE PROPERTY OF DIGITAL EQUIPMENT CORPORATION AND SHALL NOT BE REPRODUCED OR COPIED OR USED IN WHOLE OR IN PART AS THE BASIS FOR THE MANUFACTURE OR SALE OF ITEMS WITHOUT WRITTEN PERMISSION. THIS IS AN UNPUBLISHED WORK PROTECTED UNDER THE FEDERAL COPYRIGHT LAWS.



REVISION HISTORY		
REV	ECC NUMBER	DATE

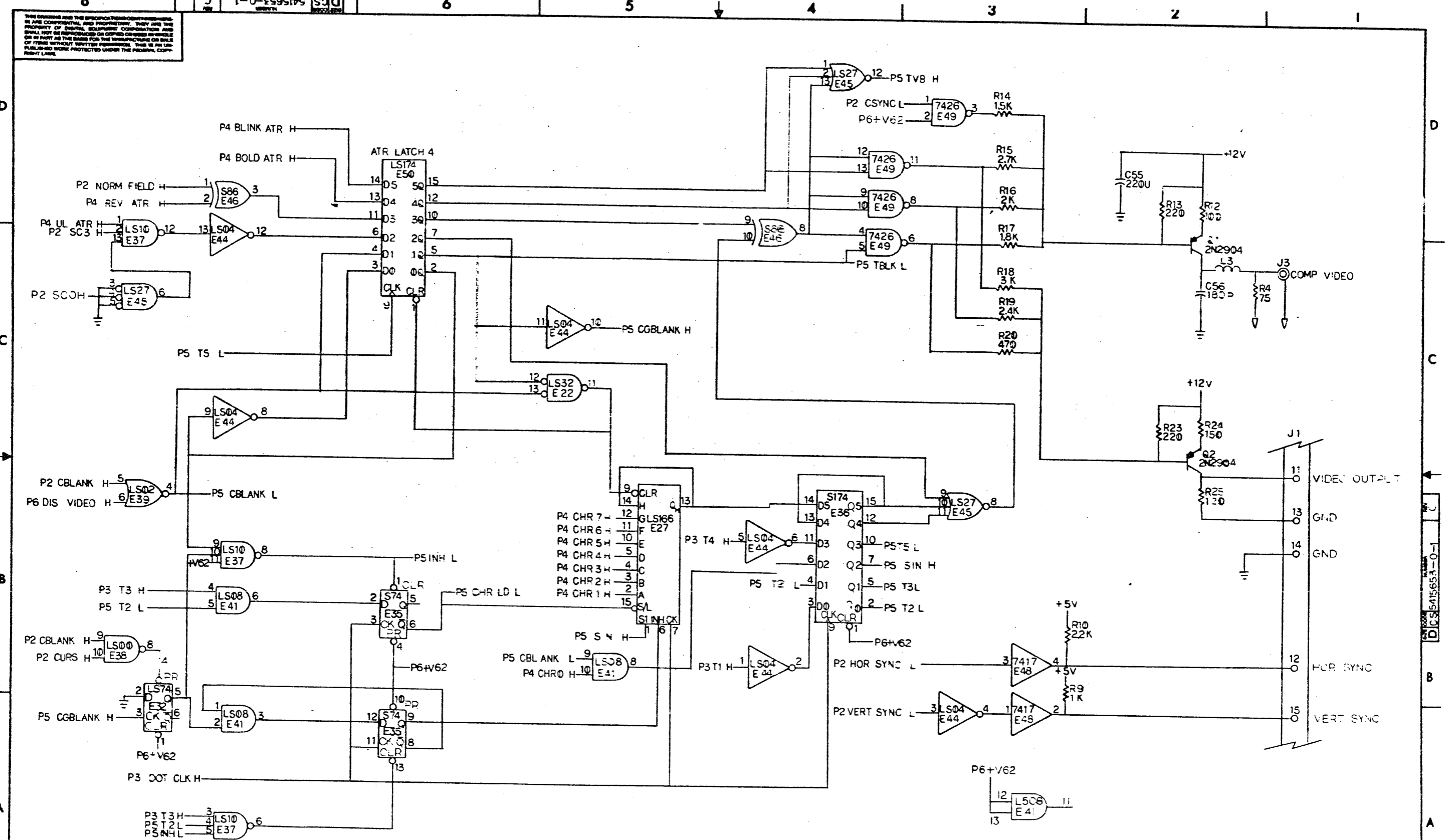
						DOCUMENT NUMBER			
						SIZE	CODE	NUMBER	REV
						D	CS	54:5653-0-1	C
						SCALE		SHEET 3	OF 5

THE DRAWING AND THE SPECIFICATIONS CONTAINED HEREIN ARE CONFIDENTIAL AND PROPRIETARY. THEY ARE THE PROPERTY OF DIGITAL EQUIPMENT CORPORATION AND SHALL NOT BE REPRODUCED OR COPIED OR USED IN WHOLE OR IN PART AS THE BASIS FOR THE MANUFACTURE OR SALE OF OTHER PRODUCTS WITHOUT WRITTEN PERMISSION. THIS IS AN UNPUBLISHED WORK PROTECTED UNDER THE FEDERAL COPYRIGHT LAWS.



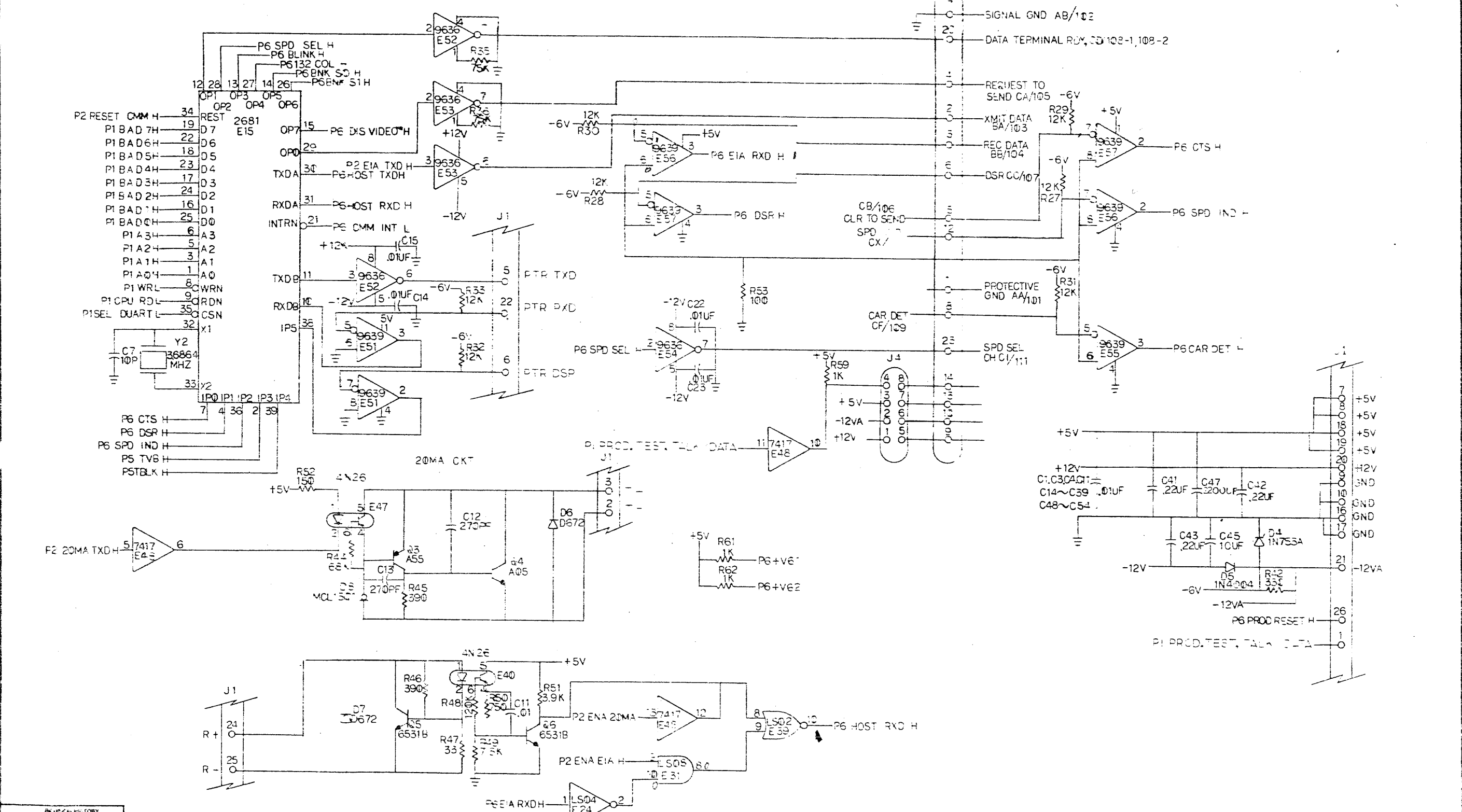
REVISION HISTORY		
REV	ECO NUMBER	DATE

THIS DESIGN AND THE SPECIFICATIONS CONTAINED HEREIN ARE CONFIDENTIAL AND PROPRIETARY. THEY ARE THE PROPERTY OF DIGITAL EQUIPMENT CORPORATION AND SHALL NOT BE REPRODUCED OR COPIED IN WHOLE OR IN PART AS THE BASIS FOR THE MANUFACTURE OR SALE OF ITEMS WITHOUT WRITTEN PERMISSION. THIS IS AN UNPUBLISHED WORK PROTECTED UNDER THE FEDERAL COPYRIGHT LAWS.



REV	ECO NUMBER	DATE

THIS DRAWING AND THE SPECIFICATIONS CONTAINED HEREIN ARE CONFIDENTIAL AND PROPRIETARY. THEY ARE THE PROPERTY OF ORNITHION ELECTRONICS CORPORATION AND SHALL NOT BE REPRODUCED OR COPIED OR USED IN WHOLE OR IN PART AS THE BASIS FOR THE MANUFACTURE OR SALE OF ITEMS WITHOUT WRITTEN PERMISSION. THIS IS AN UNPUBLISHED WORK PROTECTED UNDER THE FEDERAL COPYRIGHT LAWS.



REV	DESCRIPTION	DATE

DOCUMENT NUMBER		REV
5415653-0-1	C	

LINE	ITEM	TOP DOCUMENT	PART NUMBER	MIN REV	DESCRIPTION	QTY	PER VARIATION	REFERENCE DESIGNATOR
					VARIATION REVISION LEVEL:	01		
						B1		
1	1	D-MD-5016650-0-0	5015650-01		CIRCUIT DRILL AND ETCH BOARD	1		
2	2		1000026-00		680.0 MMF 100V 5%200PPM MICA	1		C54
3	3		1001631-00		390.0 MMF 100V 5%200PPM MICA	1		C101
4	4		1002781-00		100 MFD 25V +75-10% AL EL	1		C151
5	5		1009312-00		.0047 MFD 100V 1% MYLR	2		C203,C514
6	6		1010978-24		.01 MFD 50V 10% CER	1		C516
7	7		1010978-36		.1 MFD 50V 10% CER	1		C518
8	8		1012312-01		.47 MFD 50V +80-20% CER	4		C509,C512,C513,C521
9	9		1012784-00		.047 MFD 50V +80-20% CER	1		C223
10	10		1013280-00		680.0 MMF 1000V 5%200PPM MICA	1		C224
11	11		1013569-02		.10 MFD 150V 5% M.POLYPROP	3		C304,C307,C308
12	12		1014052-00		100 MFD 25V+100-10% AL EL	2		C102,C303
13	13		1015544-00		.1 MFD 100V 10% MYLR	6		C103,C150,C205,C211,C212,C302
14	14		1015546-00		.22 MFD 660V 10% MET. MYLR	2		C221,C222
15	15		1015548-00		1000 MFD 16V +50-10% AL EL	3		C215,C311,C312
16	16		1015549-00		47 MFD 10V +50-10% AL EL	2		C309,C313
17	17		1015557-00		470 MFD 16V +50-10% AL EL	4		C206,C214,C301,C523
18	18		1015558-00		10 MFD 25V 20% AL EL	1		C216
19	19		1015569-00		.0022 MFD 100V 10% MYLR	1		C306
20	20		1015571-00		.02 MFD 500V +80-20%Z5U DISC	1		C106
21	21		1015572-00		300.0 MMF 500V 10% X5P DISC	2		C200,C305
22	22		1018000-37		4.7MFD 100V +50-10% AL EL	2		C210,C517
23	23		1018000-28		1 MFD 100V 20% AL EL	2		C204,C310
24	24		1018000-29		10 MFD 25V 20% AL EL	3		C502,C505,C506
25	25		1018000-30		330 MFD 50V 20% AL EL	2		C501,C508
26	26		1018413-06		220 MFD 250V +50-10% AL EL	2		C503,C504
27	27		1018559-01		.02 MFD 1000V +80-20% CER	3		C218-C220
28	28		1020166-01		10 MFD 250V +50-10% AL EL	1		C105
29	29		1020308-03		47 MFD 100V +50-10% AL EL	1		C107
30	30		1020308-04		22 MFD 100V +50-10% AL EL	1		C104

REVISION HISTORY			BASIC PART NO: 5415651						
ENG	ECO NUMBER	REV	SECTION A OF A	DRN:	RITA BUREAU	DATE:	23-AUG-83	D I G I T A L	
---	INITIAL	A	SECTION VARIATION INDEX	CHK'D:	JOHN DEVIN	DATE:	26-AUG-83	TITLE PARTS LIST	
GC	5415651-TA001	B	[A] 01					MONITOR/POWER SUPPLY BOARD	
			[B]	DES.ENG:	LOUIS JEAN	DATE:	26-AUG-83	DOCUMENT NUMBER	
			[C]					SIZE:CODE	NUMBER
			[D]	RESP.ENG.:	LOUIS JEAN	DATE:	26-AUG-83	K	PL
			[E]					5415651-0-DEP	B
			[F]	MFG.ENG.:	CLYDE TANNER	DATE:	26-AUG-83	RELEASE DATE: 06-MAR-84	
			[G]	ASSEMBLY NUMBER:		TOP DOCUMENT NUMBER:		FILE NAME:	EDIT #
			[H]	D-UP-5415651-0-0		S-DD-5415651-0-0		Z54-9B.PLS	S
			[I]						
			[J]						
			[K]						
			[L]						
			[M]						
			[N]						

"THIS DRAWING AND THE SPECIFICATIONS CONTAINED HEREIN ARE CONFIDENTIAL AND PROPRIETARY. THEY ARE THE PROPERTY OF DIGITAL EQUIPMENT CORPORATION AND SHALL NOT BE REPRODUCED OR COPIED OR USED IN WHOLE OR IN PART AS THE BASIS FOR THE MANUFACTURE OR SALE OF ITEMS WITHOUT WRITTEN PERMISSION. THIS IS AN UNPUBLISHED WORK PROTECTED UNDER THE FEDERAL COPYRIGHT LAWS."

LINE	ITEM	TOP DOCUMENT	PART NUMBER	MIN REV	DESCRIPTION	VARIATION REVISION LEVEL:	QTY PER VARIATION		REFERENCE DESIGNATOR
							O1	B1	
31	31		1021205-01		1000 MFD 10V +30-10% AL EL		1		C510
32	32		1021205-02		1000 MFD 25V +30-10% AL EL		1		C511
33	33		1021480-01		.058 MFD 200V 10% POLYPROP		1		C207
34	34		1021480-03		.0033 MFD 1000V 5% POLYPROP		2		C507,C530
35	35		1021480-04		.027 MFD 250V 5% POLYPROP		1		C208
36	36		1021931-01		5600.0 MMG 300V 5% MICA		1		C202
37	37		1022087-01		1000.0 MMF 100V 20% DISC		2		C515,C520
38	38		1022181-01		.51 MFD 400V 10%		1		C522
39	39		1021480-05		.022 MFD 250V 5% POLYPROP		1		C213
40	40		1100114-00		PIV= 25 IO=135 MA		2		D512,D513
41	41		1105796-00		PIV= 400 IO= 1.00A 1N4004 D0-41		10		D54,D103,D301,D501-D506,D511
42	42		1110836-00		VZ= 12.0 5% 400 MW 1N759A		1		D401
43	43		1112594-02		PIV= 600 IO= 3.00A		2		D200,D201
44	44		1112595-02		PIV= 600 IO= 1.00A AXIAL		6		D100-D102,D203,D507,D508
45	45		1115369-00		DIODE ARRY PIV= 100 IO= 1.00A		1		E501
46	46		1117555-01		RECT,ULTRA FAST PIV= 200 IO=16.0		2		D509,D510
47	47		1121435-01		RECT. ASSY PIV= 600 IO= 2.00A		1		D202
48	48		1121434-01		PIV= 700 1N5623		1		E503
49	49		1121923-01		1N 5519D 3.6 +,-1%		1		D1
50	50		1209340-00		MATE-N-LOK 08SKT(1X08) HSG		1		J5
51	51		1209456-01		MATE-N-LOK 01SKT 20-18AWG .0870D		8		
52	52		1212487-02		HEAT SINK 01.18X01.		2		
53	53		1215228-00		HEAT SINKS, T0-220 01.25X0.87		1		
54	54		1215323-02		PCB HEADER 02PIN(1X02).100CC STR		1		J7
55	55		1216521-00		PCB,HEADER 04PIN(1X04).156CC STR		1		J1
56	56		1216521-01		PCB,HEADER 08PIN(1X08).156CC STR		1		S201
57	57		1217485-03		MATE-N-LOK 06SKT(2X03).250CC ASS		1		J501
58	58		1218826-00		CONN,PHONE JACK 04 POS		1		J6
59	59		1218949-00		BUMPER,STRIP ADH BACK NEOPREN		1		
60	60		1220128-01		HEAT SINK, T0-202 1.450X01.		1		
61	61		1220959-02		CONN,D SUB 09PIN ASSY PC MNT		1		J4
62	62		1222100-01		HEAT SINK, FOR P/S OUTPUT DIODE		2		
63	63		1222103-01		SKT,CRT 07POS		1		
64	64		1300168-00		10.0 .50 W 5.0 % CF		1		R213
65	65		1300197-00		33.0 .25 W 5.0 % CF		3		R105,R504,R505
66	66		1300202-00		47.0 .25 W 5.0 % CF		1		R104
67	67		1300228-00		100.0 .50 W 5.0 % CF		3		R210,R217,R317
68	68		1300250-00		150.0 .25 W 5.0 % CF		1		R102
69	69		1300274-00		220.0 .50 W 5.0 % CF		1		R108
70	70		1300295-00		330.0 .25 W 5.0 % CF		1		R509
71	71		1300316-00		470.0 .25 W 5.0 % CF		2		R212,R316
72	72		1300365-00		1.0 K .25 W 5.0 % CF		4		R230,R254,R402,R403
73	73		1300391-00		1.50 K .25 W 5.0 % CF		1		R401
74	74		1300398-00		1.80 K .25 W 5.0 % CF		2		R106,R200
75	75		1300417-00		2.20 K .25 W 5.0 % CF		2		R54,R226
76	76		1300439-00		3.30 K .25 W 5.0 % CF		2		R107,R208
77	77		1300447-00		4.70 K .25 W 5.0 % CF		2		R113,R301
78	78		1300521-00		47.50 K .25 W 1.0 % RN55D-F10		1		R313

D	I	G	I	T	A	L	TITLE	MONITOR/POWER SUPPLY BOARD	SECTION A	OF A	SIZE	CODE	DOCUMENT NUMBER	REV
											K	PL	5415651-0-DBP	B

LINE ITEM	TOP DOCUMENT	PART NUMBER	MIN REV	DESCRIPTION	QTY PER VARIATION		REFERENCE DESIGNATOR
					01	B1	
79	79	1300536-00		100.0 K 1.0 W10.0 % CC	2		R502,R503
80	80	1301310-00		270.0 K .25 W 5.0 % C:	1		R225
81	81	1301320-00		1.20 K .25 W 5.0 % CF	2		R400,R206
82	82	1301775-00		820.0 .25 W 5.0 % CF	1		R209
83	83	1301966-00		820.0 2.0 W10.0 % CC	1		R109
84	84	1301969-00		22.0 .25 W 5.0 % CF	1		R216
85	85	1301972-00		270.0 .25 W 5.0 % CF	1		R231
86	86	1302177-00		47.0 K .25 W 5.0 % CF	2		R112,R308
87	87	1302379-00		75.0 .25 W 5.0 % CF	1		R103
88	88	1302396-00		150.0 K .25 W 5.0 % CF	1		R205
89	89	1302398-00		470.0 K .25 W 5.0 % CF	1		R515
90	90	1302465-00		18.0 K .25 W 5.0 % CF	2		R202,R215
91	91	1302466-00		100.0 K .25 W 5.0 % CF	3		R110,R222,R224
92	92	1302836-00		56.0 2.0 W 5.0 % CC	1		R506
93	93	1303187-00		820.0 K .25 W 5.0 % CF	1		R309
94	94	1303360-00		4.70 K .50 W 1.0 % RN600-F10	1		R311
95	95	1304841-00		75.0 K .25 W 5.0 % CF	2		R227,R228
96	96	1304854-00		5.11 K .25 W 1.0 % RN55D-F10	3		R517,R518,R520
97	97	1309150-08		500.0 .50 W10.0 % POT	1		R527
98	98	1309405-00		68.0 .50 W 5.0 % CF	3		R214,R508,R510
99	99	1309595-00		1.0 M .25 W 5.0 % CF	2		R219,R220
100	100	1311845-00		487.0 .25 W 1.0 % RN55D-F10	1		R523
101	101	1312546-00		16.50 K .25 W 1.0 % RN55D-F10	1		R204
102	102	1312747-00		56.20 K .25 W 1.0 % RN55D-F10	1		R312
103	103	1312934-00		6.80 M .25 W 5.0 % CF	1		R223
104	104	1313349-00		33.0 K .25 W 5.0 % CF	1		R516
105	105	1313580-00		360.0 .25 W 5.0 % CF	3		R229,R250,R251
106	106	1313752-00		15.0 K .25 W 1.0 % RN55D-F10	2		R514,R524
107	107	1313844-00		221.0 K .25 W 1.0 % RN55D-F10	1		R305
108	108	1314270-03		10.0 15.0 % NTC THERM	2		R500,R501
109	109	1314615-00		.05 2.50 W 5.0 % WW	1		R507
110	110	1314951-00		390.0 K .25 W 5.0 % CF	1		R304
111	111	1316522-01		100.0 K .25 W20.0 % POT	1		R307
112	112	1316522-05		250.0 K .25 W20.0 % POT	1		R303
113	113	1316522-08		5.0 K .25 W20.0 % POT	1		R203
114	114	1316522-09		100.0 .25 W20.0 % POT	1		R211
115	115	1316525-00		1.0 3.0 W10.0 % WW	1		R218
116	116	1316845-00		3.30 .50 W 5.0 % CF	1		R310
117	117	1317399-00		6.49 K .25 W 1.0 % RN55D-F10	1		R519
118	118	1317522-00		1.0 .25 W 5.0 % CF	2		R314,R315
119	119	1318201-01		4.75 K .25 W 1.0 % RN55D-F10	1		R511
120	120	1318546-33		267.0 K .25 W 1.0 % RN55D-F10	1		R302
121	121	1318546-48		562.0 K .25 W 1.0 % RN55D-F10	1		R306
122	122	1319563-01		5.0 M .20 W20.0 % POT	1		R221
123	123	1320082-03		250.0 .25 W30.0 % POT	1		R101
124	124	1320082-04		100.0 K .25 W30.0 % POT	1		R111
125	125	1509524-00		2N 3904 NPN 310MW SI 40 40 M	1		Q400
126	126	1516490-00		MPSU05 NPN 10W SI 2A	1		Q201

D	I	G	I	T	A	L	TITLE	SECTION A	CF A	SIZE	CODE	DOCUMENT NUMBER	REV
							MONITOR/POWER SUPPLY BOARD			K	PL	5415651-0-DBP	B

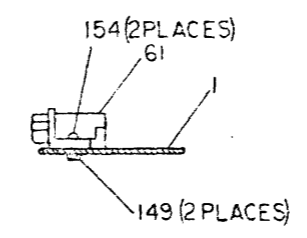
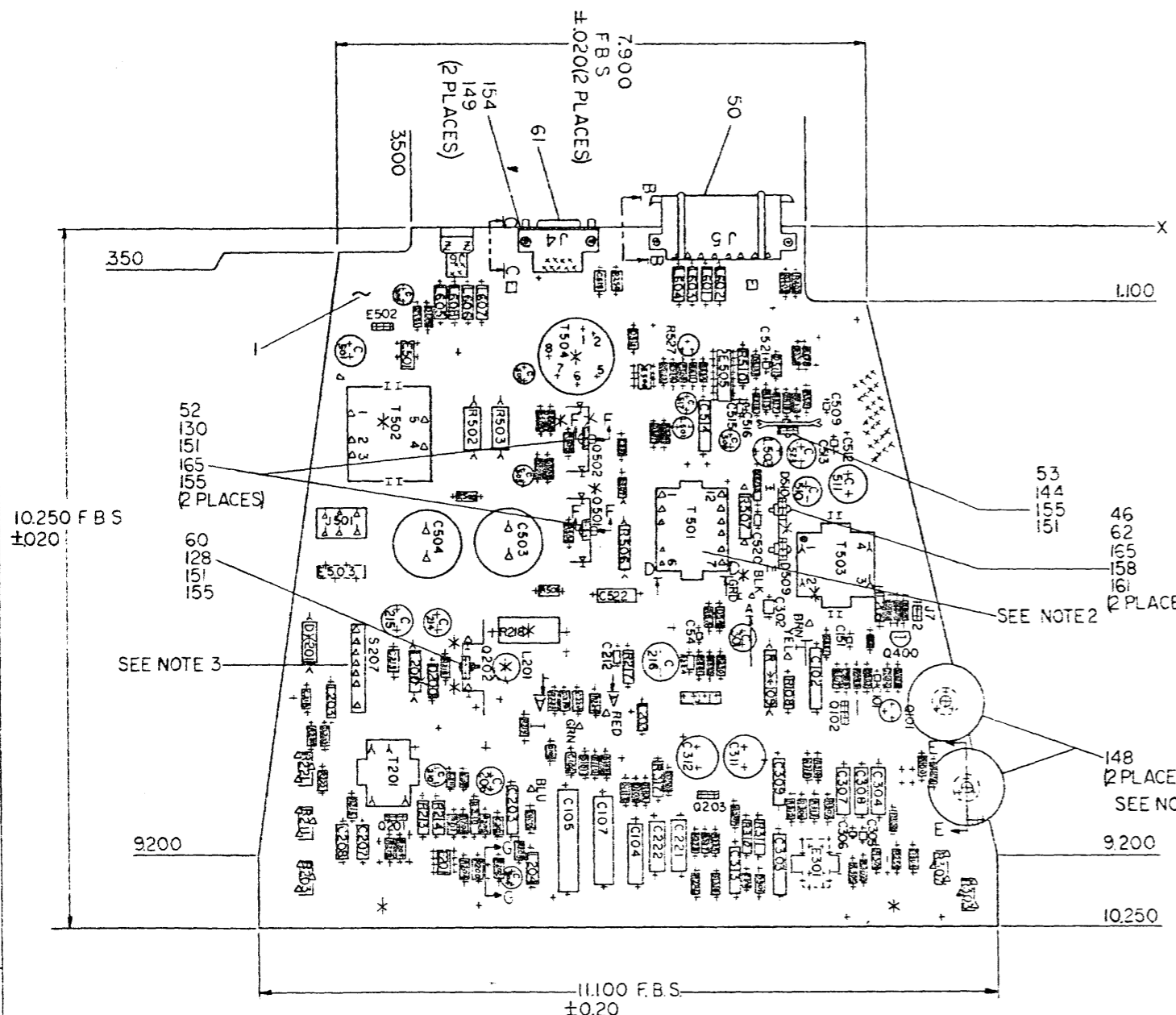
PARTS LIST

LINE ITEM	TOP DOCUMENT	PART NUMBER	MIN REV	DESCRIPTION	QTY	PER VARIATION	REFERENCE DESIGNATOR
				VARIATION REVISION LEVEL:	01		
					B1		
127	127	1520089-01		MDS 20 NPN 2W 250V 1.5A	1		Q203
128	128	1520090-01		13006 NPN 80W 300V 8A	1		Q202
129	129	1521002-01		2N 2369A NPN 200MA 15V TO-18	1		Q101
130	130	1521341-01		2SC2335 NPN 40W 7A	2		Q501,Q502
131	131	1521924-01		BF 457 NPN	1		Q102
132	132	1616309-02		XFMR,HORIZONTAL DRIVE	1		T201
133	133	1616536-00		XFMR HORIZONTAL WIDTH	1		L201
134	134	1616538-00		COIL,HORIZONTAL,LINEAR	1		L202
135	135	1618238-02		BEAD,FERRITE .1380DX.330LG	12		L200,L203-L205,L601-L608
136	136	1621180-01		XFMR,CONVERTER	1		T501
137	137	1621638-01		XFMR P=110/220V 60HZ	1		T502
138	138	1621942-01		PULSE XFMR,3-WOUND	1		T504
139	139	1621943-01		CHOKE,COIL,250UH+10%	1		L501
140	140	1621944-01		CHOKE,COUPLING	1		T503
141	141	1622101-01		CHOKE,COIL, 35UH,2.2A	1		L502
142	142	1912048-02		DEC 7812 VOLT REG,FIX +12V	1		E502
143	143	1914156-00		LM 393 VOLT.COMPARATOR DUAL	1		E506
144	144	1914517-01		7912 VOLT REG,FIX -12V	1		E504
145	145	1916820-00		SG3525J MODULATOR-REGULATING	1		E505
146	146	1919235-00		TDA 1170 AMP,VERTICAL DEFLECT	1		E301
147	147	1921463-01		1391 TV HORIZ. PROCESSOR	1		E201
148	148	7428565-01		THUMBWHEEL	2		
149	149	9006010-01		SCREW,MACH PAN PHIL 4-	2		
150	150	9006401-04		SCREW,NYLN BIND SLOT 4-	2		
151	151	9006557-00		NUT,HEX EXT TOOTH LCKWSHR 4-40	6		
152	152	9007925-01		TERM,QUICK .250TAB 2POS 18-2	1		
153	153	9007992-00		NUT,HEX 4-40X .246AF NYLO	2		
154	154	9008185-00		NUT,HEX EXT TOOTH LCKWSHR 6-32	2		
155	155	9008301-01		SCREW,MACH PAN PHIL 4-	4		
156	156	9009538-00		BUMPER, ADH BACK RUBBER	1		
157	157	9009798-01		*** THIS ITEM IS NOT USED ***	-		
158	158	9009993-01		WASHER,INSUL,TRANSISTOR PLASTIC	2		
159	159	9009996-00		TIE,CABLE PRELOADED MAG.100 EA	3		
160	160	9010421-01		*** THIS ITEM IS NOT USED ***	-		
161	161	9010494-01		WASHER,INSULATING	1		
162	162	9107255-00		TUBING,SHRINK .125ID EXP	20		
163	163	9006020-01		SCREW,MACH PAN PHIL 6-	2		
164	164	1301424-00		680.0 .25 W 5.0 % CF	2		R525,R526
165	165	9010057-00		WASHER,SHOULDER INSULATG PPS	4		

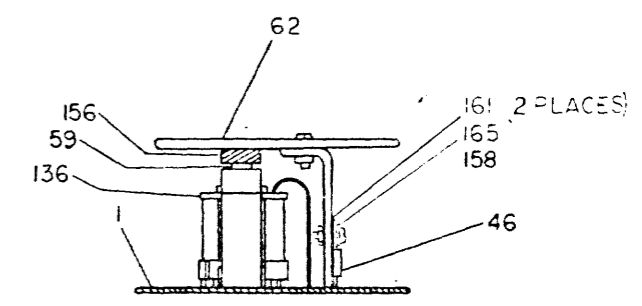
D	I	G	I	T	A	L	TITLE	SECTION A	OF	A	SIZE	CODE	DOCUMENT NUMBER	REV
							MONITOR/POWER SUPPLY BOARD				K	PL	5415631-0-08P	B

THIS DRAWING AND SPECIFICATIONS, WHEN USED IN CONNECTION WITH THE PARTS LIST AND DRAWINGS OF THE COMPLETE EQUIPMENT, SHALL BE THE PROPERTY OF DIGITAL EQUIPMENT CORPORATION. IT IS TO BE KEPT IN THE POSSESSION OF THE USER AND NOT BE LOANED, REPRODUCED, COPIED, OR IN ANY MANNER DISCLOSED TO OTHERS WITHOUT THE WRITTEN PERMISSION OF DIGITAL EQUIPMENT CORPORATION.

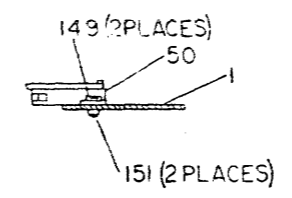
VIEWED FROM SIDE 1
COMPONENT SIDE



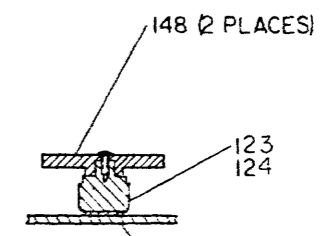
SECTION C-C



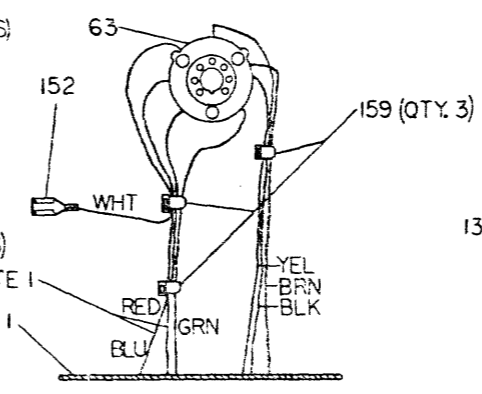
VIEW D-D



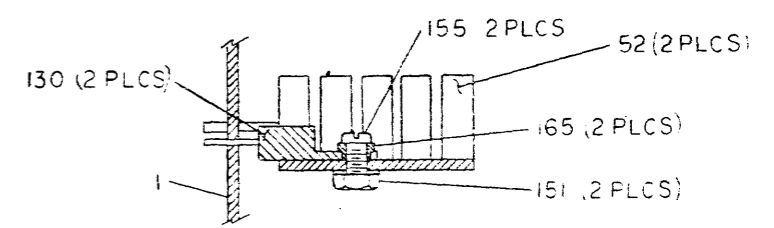
SECTION B-B



SECTION E-E

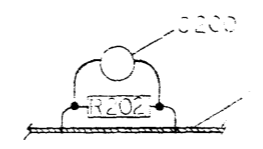


VIEW A-A



VIEW F-F

CAUTION: OFF SHEET PARTS LIST EXISTS.
SEE K PL-5415651-O-DBR



SECTION G-G

NOTES: 1. RED AND BLUE WIRES OF C.R.T. CONNECT HARNESS ASSEMBLY MUST BE COATED BY HEAT SHRINK TUBING ITEM #162 RESPECTIVELY.
2. BUMPERS ITEM #59 AND 156 MUST BE ADHERED TO THE TOP OF T501 ITEM #136 AS SHOWN IN D-D
3. PIN 2 OF S207 ITEM #55 MUST BE REMOVED BEFORE INSERTION

STEP	E	+	Y	AXIS	STEP	TIMES
REPORT					X	AXIS

CHG	NO	REV	INT	REL	A	B	C
5415651	TAC001	1789	REL	A			
5415651	TAC002		REL	B			

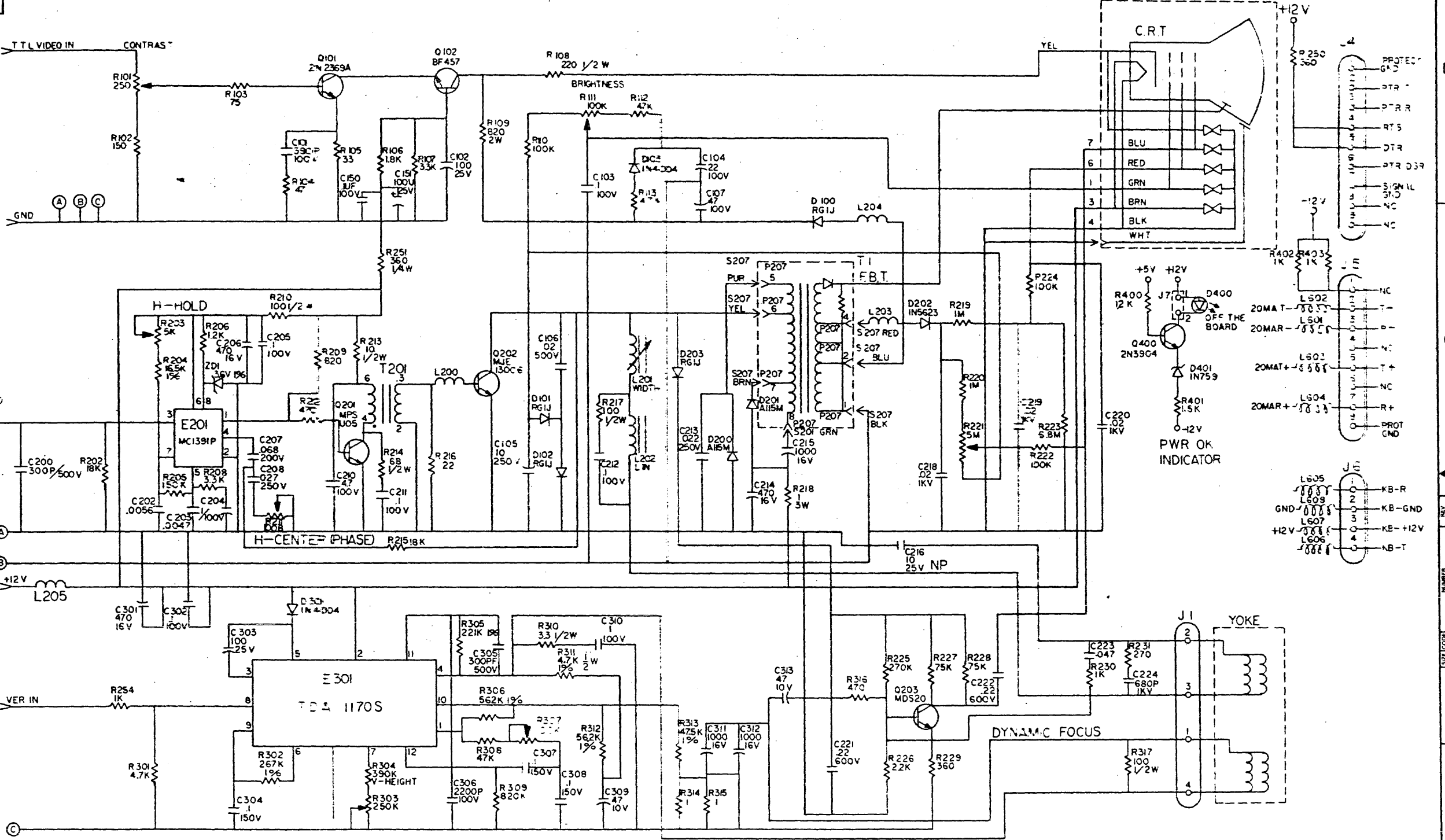
ETCH	REV.

SIGNATURES		DATE	digital
DRN. H.M. HSIO		4 JUN 83	
CHK'D. J.B. LOU		4 JUN 83	
MECH. ENG. LOUIS JEAN		4 JUN 83	
PROD. CLYDE TANNER		8-25-83	
SCALE 1/1		SIZE C	NO. 10
SHT. 1 OF 1		D UA 5415651-O-O	
NEXT HIGHER ASSY. 0-00-5415651-O-0		REV. C	

THIS DRAWING AND THE SPECIFICATIONS DESCRIBED HEREIN ARE CONFIDENTIAL AND PROPRIETARY. THEY ARE THE PROPERTY OF DIGITAL EQUIPMENT CORPORATION AND SHALL NOT BE REPRODUCED OR COPIED OR REVERSE ENGINEERED OR IN ANY MANNER FOR MANUFACTURE OR SALE OF ITEMS WITHOUT WRITTEN PERMISSION. THIS IS AN EMPLOYED WORK PROTECTED UNDER THE FEDERAL COPYRIGHT LAWS.

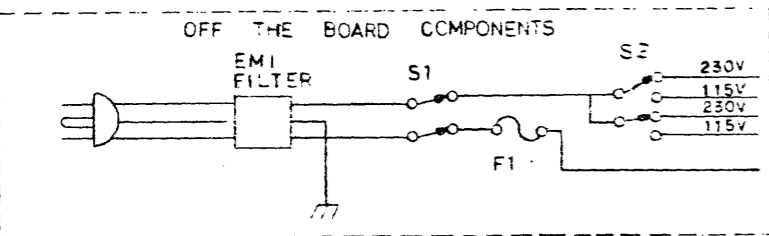
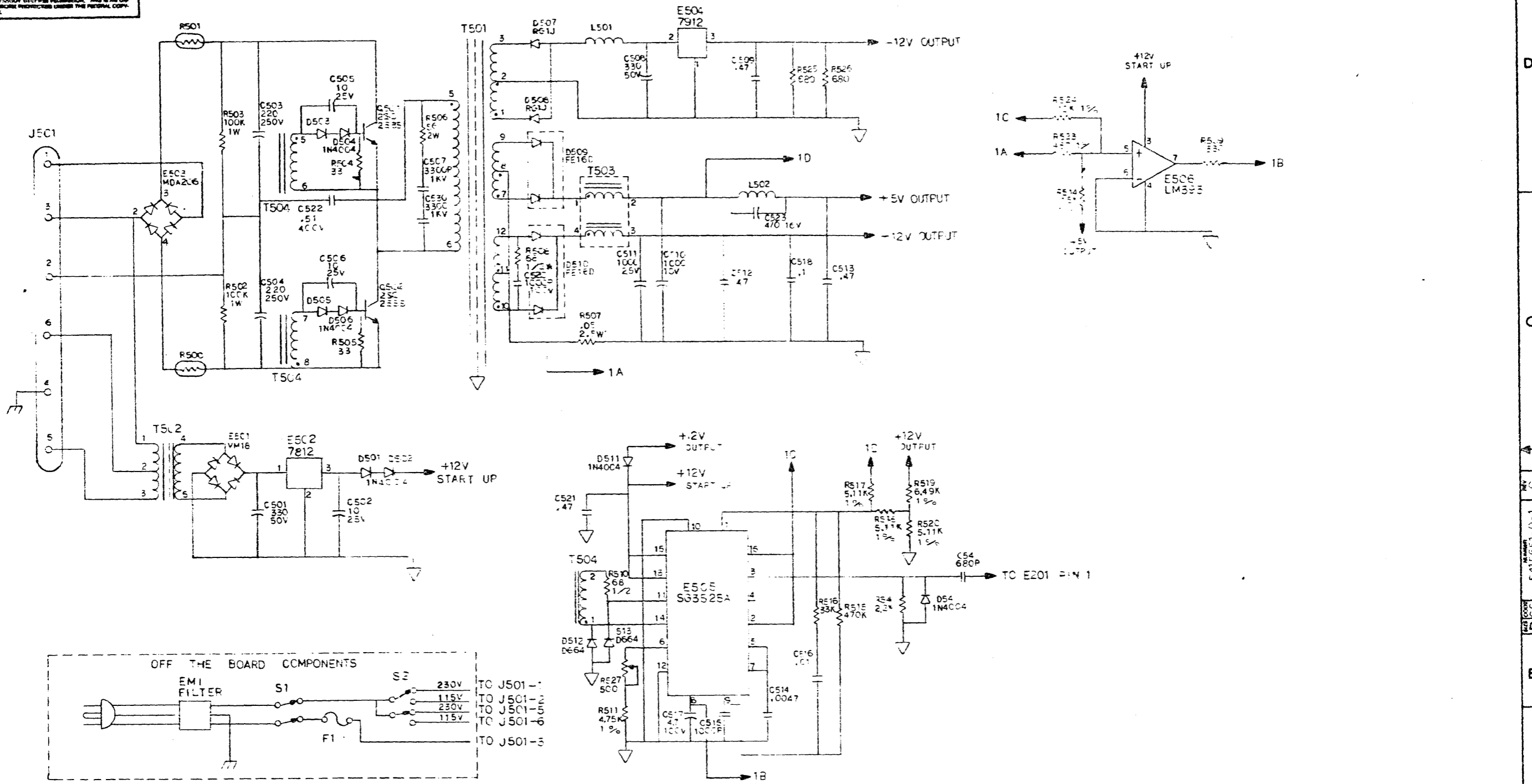
- J2
- 13 VIDEO GND
 - 14 VIDEO GND
 - 15 HOR
 - 16 VERT
 - 17 VIDEO GND
 - 18 GND
 - 19 GND
 - 20 +5V
 - 21 +5V
 - 22 +5V
 - 23 +12V
 - 24 -12V
 - 25 PTR DSR
 - 26 PTR T
 - 27 PTR R
 - 28 KBT
 - 29 KBR
 - 30 20 MA T
 - 31 20 MA C
 - 32 20 MA T
 - 33 20 MA R
 - 34 TEST/STATUS
 - 35 PROD RESET

REV	DATE	BY	CHKD
A	8-4	J.B. LUO	G. CHRISTENSEN
B	8-25	J.B. LUO	G. CHRISTENSEN



DESIGNED BY	V. LIN	DATE	17-JUN-83	TITLE	digital
CHECKED BY	J.B. LUO	DATE	17-JUN-83	VT220 P/S AND	
DRAWN BY	J.B. LUO	DATE	17-JUN-83	MONITOR 5D	
REVISION BY	JANE LOUIS	DATE	17-JUN-83		
APPROVED BY	CLYDE TANNER	DATE	8-25-83		
TOP DOC NO	B-DD-5415651-0	SCALE	NONE	SHEET	2

NOTES: 1. THIS DRAWING IS THE PROPERTY OF THE MANUFACTURER AND IS NOT TO BE REPRODUCED OR TRANSMITTED IN ANY FORM OR BY ANY MEANS, ELECTRONIC OR MECHANICAL, INCLUDING PHOTOCOPYING, RECORDING, OR BY ANY INFORMATION STORAGE AND RETRIEVAL SYSTEM. 2. THE USER SHALL BE RESPONSIBLE FOR THE PROPER CONNECTION AND INSTALLATION OF THIS EQUIPMENT. 3. THE USER SHALL BE RESPONSIBLE FOR THE PROPER MAINTENANCE OF THIS EQUIPMENT. 4. THE USER SHALL BE RESPONSIBLE FOR THE PROPER DISPOSAL OF THIS EQUIPMENT. 5. THE USER SHALL BE RESPONSIBLE FOR THE PROPER USE OF THIS EQUIPMENT. 6. THE USER SHALL BE RESPONSIBLE FOR THE PROPER STORAGE OF THIS EQUIPMENT. 7. THE USER SHALL BE RESPONSIBLE FOR THE PROPER PROTECTION OF THIS EQUIPMENT. 8. THE USER SHALL BE RESPONSIBLE FOR THE PROPER SAFETY OF THIS EQUIPMENT. 9. THE USER SHALL BE RESPONSIBLE FOR THE PROPER SECURITY OF THIS EQUIPMENT. 10. THE USER SHALL BE RESPONSIBLE FOR THE PROPER SUPPORT OF THIS EQUIPMENT. 11. THE USER SHALL BE RESPONSIBLE FOR THE PROPER TRAINING OF THIS EQUIPMENT. 12. THE USER SHALL BE RESPONSIBLE FOR THE PROPER DOCUMENTATION OF THIS EQUIPMENT. 13. THE USER SHALL BE RESPONSIBLE FOR THE PROPER RECORDS OF THIS EQUIPMENT. 14. THE USER SHALL BE RESPONSIBLE FOR THE PROPER REPORTS OF THIS EQUIPMENT. 15. THE USER SHALL BE RESPONSIBLE FOR THE PROPER EVALUATION OF THIS EQUIPMENT. 16. THE USER SHALL BE RESPONSIBLE FOR THE PROPER IMPROVEMENT OF THIS EQUIPMENT. 17. THE USER SHALL BE RESPONSIBLE FOR THE PROPER INNOVATION OF THIS EQUIPMENT. 18. THE USER SHALL BE RESPONSIBLE FOR THE PROPER RESEARCH OF THIS EQUIPMENT. 19. THE USER SHALL BE RESPONSIBLE FOR THE PROPER DEVELOPMENT OF THIS EQUIPMENT. 20. THE USER SHALL BE RESPONSIBLE FOR THE PROPER TESTING OF THIS EQUIPMENT. 21. THE USER SHALL BE RESPONSIBLE FOR THE PROPER VERIFICATION OF THIS EQUIPMENT. 22. THE USER SHALL BE RESPONSIBLE FOR THE PROPER VALIDATION OF THIS EQUIPMENT. 23. THE USER SHALL BE RESPONSIBLE FOR THE PROPER CONFIRMATION OF THIS EQUIPMENT. 24. THE USER SHALL BE RESPONSIBLE FOR THE PROPER ACCEPTANCE OF THIS EQUIPMENT. 25. THE USER SHALL BE RESPONSIBLE FOR THE PROPER DELIVERY OF THIS EQUIPMENT. 26. THE USER SHALL BE RESPONSIBLE FOR THE PROPER INSTALLATION OF THIS EQUIPMENT. 27. THE USER SHALL BE RESPONSIBLE FOR THE PROPER OPERATION OF THIS EQUIPMENT. 28. THE USER SHALL BE RESPONSIBLE FOR THE PROPER MAINTENANCE OF THIS EQUIPMENT. 29. THE USER SHALL BE RESPONSIBLE FOR THE PROPER REPAIR OF THIS EQUIPMENT. 30. THE USER SHALL BE RESPONSIBLE FOR THE PROPER REPLACEMENT OF THIS EQUIPMENT. 31. THE USER SHALL BE RESPONSIBLE FOR THE PROPER DISPOSAL OF THIS EQUIPMENT. 32. THE USER SHALL BE RESPONSIBLE FOR THE PROPER RECYCLING OF THIS EQUIPMENT. 33. THE USER SHALL BE RESPONSIBLE FOR THE PROPER ENERGY EFFICIENCY OF THIS EQUIPMENT. 34. THE USER SHALL BE RESPONSIBLE FOR THE PROPER ENVIRONMENTAL FRIENDLINESS OF THIS EQUIPMENT. 35. THE USER SHALL BE RESPONSIBLE FOR THE PROPER SOCIAL RESPONSIBILITY OF THIS EQUIPMENT. 36. THE USER SHALL BE RESPONSIBLE FOR THE PROPER ETHICAL USE OF THIS EQUIPMENT. 37. THE USER SHALL BE RESPONSIBLE FOR THE PROPER LEGAL COMPLIANCE OF THIS EQUIPMENT. 38. THE USER SHALL BE RESPONSIBLE FOR THE PROPER REGULATORY COMPLIANCE OF THIS EQUIPMENT. 39. THE USER SHALL BE RESPONSIBLE FOR THE PROPER STANDARDS COMPLIANCE OF THIS EQUIPMENT. 40. THE USER SHALL BE RESPONSIBLE FOR THE PROPER QUALITY ASSURANCE OF THIS EQUIPMENT. 41. THE USER SHALL BE RESPONSIBLE FOR THE PROPER CONTINUOUS IMPROVEMENT OF THIS EQUIPMENT. 42. THE USER SHALL BE RESPONSIBLE FOR THE PROPER CUSTOMER SATISFACTION OF THIS EQUIPMENT. 43. THE USER SHALL BE RESPONSIBLE FOR THE PROPER SUPPLIER RELATIONSHIP OF THIS EQUIPMENT. 44. THE USER SHALL BE RESPONSIBLE FOR THE PROPER COMMUNITY ENGAGEMENT OF THIS EQUIPMENT. 45. THE USER SHALL BE RESPONSIBLE FOR THE PROPER EMPLOYEE WELL-BEING OF THIS EQUIPMENT. 46. THE USER SHALL BE RESPONSIBLE FOR THE PROPER LEADERSHIP OF THIS EQUIPMENT. 47. THE USER SHALL BE RESPONSIBLE FOR THE PROPER TEAMWORK OF THIS EQUIPMENT. 48. THE USER SHALL BE RESPONSIBLE FOR THE PROPER COMMUNICATION OF THIS EQUIPMENT. 49. THE USER SHALL BE RESPONSIBLE FOR THE PROPER COLLABORATION OF THIS EQUIPMENT. 50. THE USER SHALL BE RESPONSIBLE FOR THE PROPER PARTNERSHIP OF THIS EQUIPMENT. 51. THE USER SHALL BE RESPONSIBLE FOR THE PROPER ALLIANCE OF THIS EQUIPMENT. 52. THE USER SHALL BE RESPONSIBLE FOR THE PROPER NETWORK OF THIS EQUIPMENT. 53. THE USER SHALL BE RESPONSIBLE FOR THE PROPER ECOSYSTEM OF THIS EQUIPMENT. 54. THE USER SHALL BE RESPONSIBLE FOR THE PROPER VALUE CHAIN OF THIS EQUIPMENT. 55. THE USER SHALL BE RESPONSIBLE FOR THE PROPER BUSINESS MODEL OF THIS EQUIPMENT. 56. THE USER SHALL BE RESPONSIBLE FOR THE PROPER REVENUE STREAM OF THIS EQUIPMENT. 57. THE USER SHALL BE RESPONSIBLE FOR THE PROPER COST STRUCTURE OF THIS EQUIPMENT. 58. THE USER SHALL BE RESPONSIBLE FOR THE PROPER PROFITABILITY OF THIS EQUIPMENT. 59. THE USER SHALL BE RESPONSIBLE FOR THE PROPER GROWTH OF THIS EQUIPMENT. 60. THE USER SHALL BE RESPONSIBLE FOR THE PROPER INNOVATION OF THIS EQUIPMENT. 61. THE USER SHALL BE RESPONSIBLE FOR THE PROPER COMPETITIVENESS OF THIS EQUIPMENT. 62. THE USER SHALL BE RESPONSIBLE FOR THE PROPER MARKET POSITION OF THIS EQUIPMENT. 63. THE USER SHALL BE RESPONSIBLE FOR THE PROPER BRAND EQUITY OF THIS EQUIPMENT. 64. THE USER SHALL BE RESPONSIBLE FOR THE PROPER CUSTOMER ACQUISITION OF THIS EQUIPMENT. 65. THE USER SHALL BE RESPONSIBLE FOR THE PROPER CUSTOMER RETENTION OF THIS EQUIPMENT. 66. THE USER SHALL BE RESPONSIBLE FOR THE PROPER CUSTOMER LIFETIME VALUE OF THIS EQUIPMENT. 67. THE USER SHALL BE RESPONSIBLE FOR THE PROPER CUSTOMER CHURN OF THIS EQUIPMENT. 68. THE USER SHALL BE RESPONSIBLE FOR THE PROPER CUSTOMER SATISFACTION OF THIS EQUIPMENT. 69. THE USER SHALL BE RESPONSIBLE FOR THE PROPER CUSTOMER LOYALTY OF THIS EQUIPMENT. 70. THE USER SHALL BE RESPONSIBLE FOR THE PROPER CUSTOMER ADVOCACY OF THIS EQUIPMENT. 71. THE USER SHALL BE RESPONSIBLE FOR THE PROPER CUSTOMER REFERRALS OF THIS EQUIPMENT. 72. THE USER SHALL BE RESPONSIBLE FOR THE PROPER CUSTOMER TESTIMONIALS OF THIS EQUIPMENT. 73. THE USER SHALL BE RESPONSIBLE FOR THE PROPER CUSTOMER REVIEWS OF THIS EQUIPMENT. 74. THE USER SHALL BE RESPONSIBLE FOR THE PROPER CUSTOMER FEEDBACK OF THIS EQUIPMENT. 75. THE USER SHALL BE RESPONSIBLE FOR THE PROPER CUSTOMER COMPLAINTS OF THIS EQUIPMENT. 76. THE USER SHALL BE RESPONSIBLE FOR THE PROPER CUSTOMER REQUESTS OF THIS EQUIPMENT. 77. THE USER SHALL BE RESPONSIBLE FOR THE PROPER CUSTOMER SUGGESTIONS OF THIS EQUIPMENT. 78. THE USER SHALL BE RESPONSIBLE FOR THE PROPER CUSTOMER IDEAS OF THIS EQUIPMENT. 79. THE USER SHALL BE RESPONSIBLE FOR THE PROPER CUSTOMER PROBLEMS OF THIS EQUIPMENT. 80. THE USER SHALL BE RESPONSIBLE FOR THE PROPER CUSTOMER SOLUTIONS OF THIS EQUIPMENT. 81. THE USER SHALL BE RESPONSIBLE FOR THE PROPER CUSTOMER SUPPORT OF THIS EQUIPMENT. 82. THE USER SHALL BE RESPONSIBLE FOR THE PROPER CUSTOMER TRAINING OF THIS EQUIPMENT. 83. THE USER SHALL BE RESPONSIBLE FOR THE PROPER CUSTOMER DOCUMENTATION OF THIS EQUIPMENT. 84. THE USER SHALL BE RESPONSIBLE FOR THE PROPER CUSTOMER TUTORIALS OF THIS EQUIPMENT. 85. THE USER SHALL BE RESPONSIBLE FOR THE PROPER CUSTOMER VIDEOS OF THIS EQUIPMENT. 86. THE USER SHALL BE RESPONSIBLE FOR THE PROPER CUSTOMER BLOGS OF THIS EQUIPMENT. 87. THE USER SHALL BE RESPONSIBLE FOR THE PROPER CUSTOMER WEBSITES OF THIS EQUIPMENT. 88. THE USER SHALL BE RESPONSIBLE FOR THE PROPER CUSTOMER SOCIAL MEDIA OF THIS EQUIPMENT. 89. THE USER SHALL BE RESPONSIBLE FOR THE PROPER CUSTOMER FORUMS OF THIS EQUIPMENT. 90. THE USER SHALL BE RESPONSIBLE FOR THE PROPER CUSTOMER GROUPS OF THIS EQUIPMENT. 91. THE USER SHALL BE RESPONSIBLE FOR THE PROPER CUSTOMER NETWORKS OF THIS EQUIPMENT. 92. THE USER SHALL BE RESPONSIBLE FOR THE PROPER CUSTOMER COMMUNITIES OF THIS EQUIPMENT. 93. THE USER SHALL BE RESPONSIBLE FOR THE PROPER CUSTOMER ORGANIZATIONS OF THIS EQUIPMENT. 94. THE USER SHALL BE RESPONSIBLE FOR THE PROPER CUSTOMER ASSOCIATIONS OF THIS EQUIPMENT. 95. THE USER SHALL BE RESPONSIBLE FOR THE PROPER CUSTOMER UNIONS OF THIS EQUIPMENT. 96. THE USER SHALL BE RESPONSIBLE FOR THE PROPER CUSTOMER COOPERATIVES OF THIS EQUIPMENT. 97. THE USER SHALL BE RESPONSIBLE FOR THE PROPER CUSTOMER PARTNERSHIPS OF THIS EQUIPMENT. 98. THE USER SHALL BE RESPONSIBLE FOR THE PROPER CUSTOMER ALLIANCES OF THIS EQUIPMENT. 99. THE USER SHALL BE RESPONSIBLE FOR THE PROPER CUSTOMER NETWORKS OF THIS EQUIPMENT. 100. THE USER SHALL BE RESPONSIBLE FOR THE PROPER CUSTOMER ECOSYSTEMS OF THIS EQUIPMENT.



REVISION HISTORY		
REV	ECO NUMBER	DATE

TITLE VT220 P/S AND MONITOR ED.

DOCUMENT NUMBER		
REV	NUMBER	REV
D	CS 5415651-0-1	C

SCALE NONE SHEET 2 OF 2