









This drawing and specifications, herein, are the property of Digital Equipment Corporation and shall not be reproduced or copied or used in whole or in part in any form for the manufacture or sale of items without written permission.

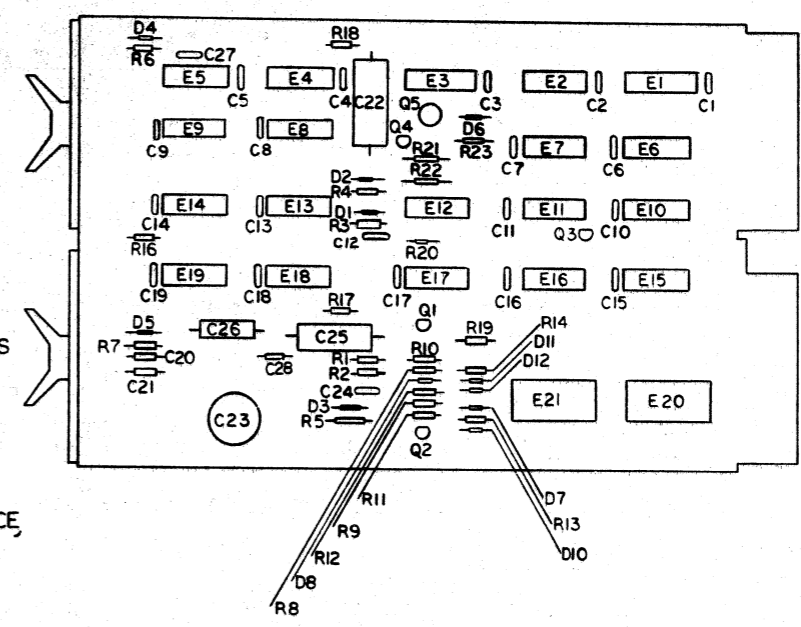
PARTS REFERENCE

| ITEM NO | DRAWING REFERENCE                              | DESCRIPTION            | PART NUMBER | QUANTITY |
|---------|--|------------------------|-------------|----------|
| 1       | C1 THRU C19, C24, C27                          | .01 UF 100V 20% DISC   | 1001610     | 21       |
| 2       | C20, C21                                       | 1 UF 35V 10% S. TANT   | 1001776     | 2        |
| 3       | C22  | 22 UF 100V 10% MYLAR   | 1000037     | 1        |
| 4       | C23  | 1 UF 50V 20% DISC      | 1000030     | 1        |
| 5       | C25  | 15 UF 100V 10% MYLAR   | 1002629     | 1        |
| 6       | C26  | .033 UF 100V 10% MYLAR | 1000050     | 1        |
| 7       | D1 THRU D8                                     | DECA DIODE             | 1102162     | 8        |
| 8       | D10, D11, D12                                  | D670 DIODE             | 1102162     | 3        |
| 9       | E1, E10, E13, E15                              | DEC 7474 IC            | 1905547     | 4        |
| 10      | E2, E14  | DEC 8881 IC            | 1909705     | 2        |
| 11      | E3, E4, E5, E8, E9, E12, E16, E17, E18, E19    | DEC 7400 IC            | 1905575     | 10       |
| 12      | E6   | DEC 7420 IC            | 1905577     | 1        |
| 13      | E7, E11  | DEC 7410 IC            | 1905576     | 2        |
| 14      | E20, E21                                       | IC SOCKET              | 1205938     | 2        |
| 15      | R1, R6   | 330 1/4 W 5% RES       | 1300295     | 2        |
| 16      | R2, R12  | 750 1/4 W 5% RES       | 1301401     | 2        |
| 17      | R3, R5, R7                                     | 470 1/4 W 5% RES       | 1300316     | 3        |
| 18      | R4   | 220 1/4 W 5% RES       | 1300271     | 1        |
| 19      | R8, R9, R10, R11, R14, R17, R18, R19, R23, R21 | 3K 1/4 W 5% RES        | 1300432     | 10       |
| 20      | R15  | 680 1/4 W 5% RES       | 1301424     | 1        |
| 21      | R16  | 820 1/4 W 5% RES       | 1301775     | 1        |
| 22      | R20, R22                                       | 1K 1/4 W 5% RES        | 1300365     | 2        |
| 23      | Q1, Q2   | DEC 6534 C TRANSISTOR  | 1503409-02  | 2        |
| 24      | Q3, Q4   | DEC 2 TRANSISTOR       | 1505650     | 2        |
| 25      | Q5   | DEC 3638 B TRANSISTOR  | 1502979     | 1        |
| 26      | TP1-TP3, C28 OPTION                            | SPLIT LUGS             | 9006735     | 1        |
| 27      | C28  | .015UF 100V 10% MYLAR  | 1002630     | 1        |
| 28      |  | INSULATED JUMPERS      |             | A/R      |

NOTES:

- PIN NOTATION THROUGHOUT IS ORDERED UPON MODULE PLACEMENT IN THE K111 PROCESSOR. MODULE REFERENCE ALONE IS OBTAINED BY DELETING THE NUMBER (SLOT LOCATION) AFTER THE FIRST LETTER, AND CONVERTING THE FIRST LETTER ACCORDING TO THE PIN NOMENCLATURE CHART AT RIGHT.
- ALL SIGNALS THAT HAVE MODULE PINS ARE SO NOTED; MULTIPLE NOTATIONS OF THE SAME SIGNALS WITHIN A MODULE HAVE THE PIN NOTED ON EACH. AN INPUT SIGNAL IS NOTED ONLY ONCE PER SHEET UNLESS SEPERATE PINS ARE USED; MULTIPLE INPUTS ARE CONNECTED. MODULE OUTPUT SIGNALS ARE BROUGHT TO THE EXTREME RIGHT OF EACH SHEET.
- PROCESSOR SIGNAL SOURCE NOTATION (K10-2, FOR EXAMPLE) IDENTIFIES THE SIGNAL SOURCE (PRINT AND MODULE). THE FIRST NUMBER AFTER THE K INDICATES THE MODULE PRINT SET, WHILE THE SECOND INDICATES THE SHEET WITHIN THE SET. IF ON A PRINT, THE FIRST NUMBER OF THE K PREFIXES COINCIDE FOR A SIGNAL NAME AND THE PRINT (SEE TITLE BLOCK), THE SIGNAL IS GENERATED ON THE MODULE. A DIFFERENCE IN THE FIRST NUMBER OF THE K PREFIXES INDICATES A SIGNAL GENERATED OFF THE MODULE. SIGNALS WITH A "BUS" PREFIX REPRESENT A "WIRED OR" SITUATION, AND MULTIPLE SOURCES FOR THE SIGNAL CAN EXIST.
- DETAILS ON COMPONENTS ARE NOTED IN THE PARTS REFERENCE, PLACEMENT IS NOTED IN THE COMPONENT PLACEMENT DIAGRAM. CAPACITORS WITHOUT NOTED VALUES ARE .01 MFD.
- GND AND +5V ARE USUALLY PIN 7 AND PIN 14, RESPECTIVELY.
- ⊙ INDICATES SPLT LUGS.
- C28 IS AN ENGINEERING OPTION.

COMPONENT PLACEMENT



| IC TYPE  | GND    | +5V    |
|----------|--------|--------|
| DEC 7481 | PIN 10 | PIN 4  |
| DEC 7482 | PIN 11 | PIN 4  |
| DEC 8251 | PIN 8  | PIN 16 |
| DEC 8271 | PIN 8  | PIN 16 |
| DEC 380  | PIN 1  | PIN 8  |
| DEC 384  | PIN 1  | PIN 8  |

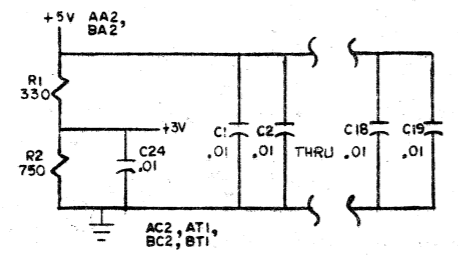
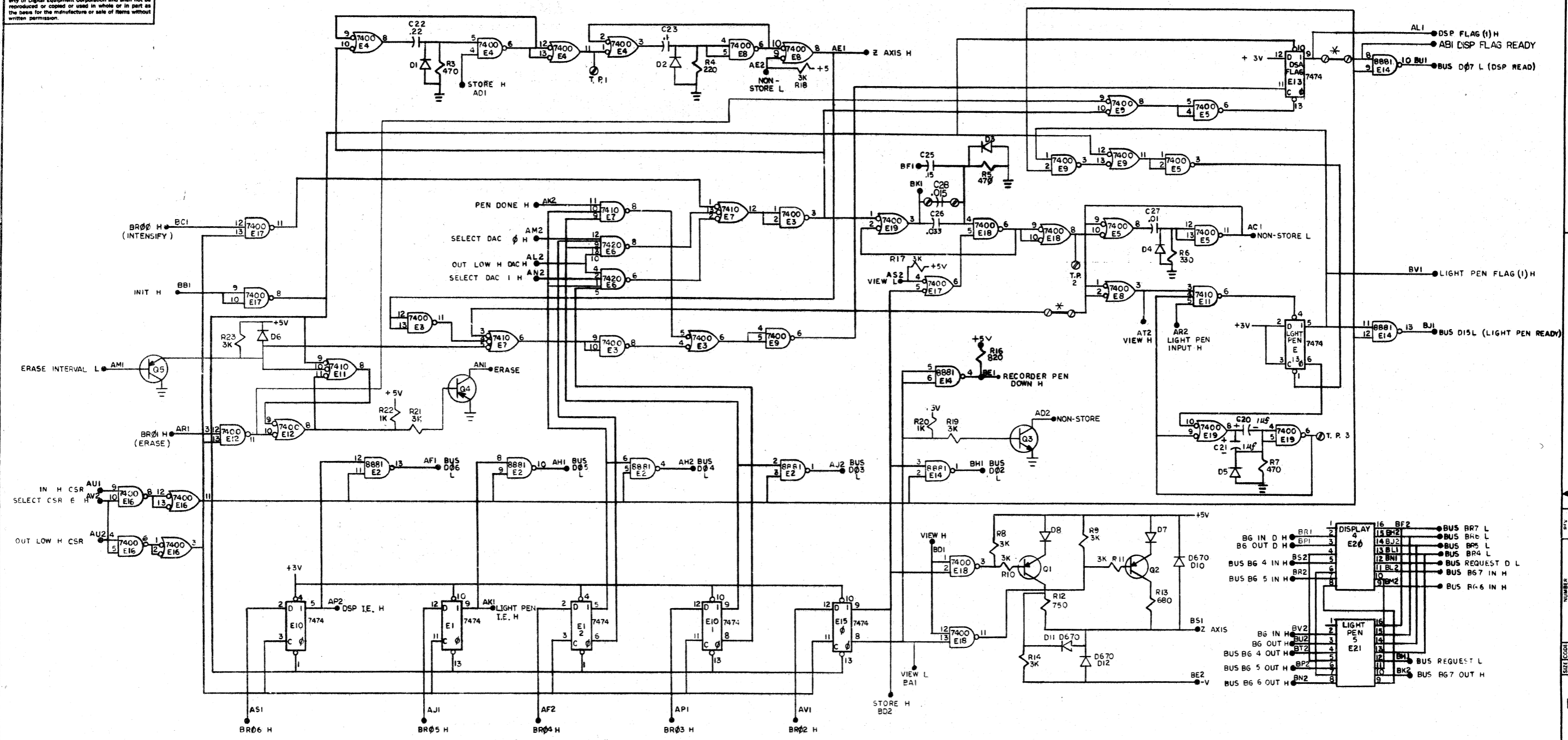
| REV | DATE   | BY       | CHKD |
|-----|--------|----------|------|
| 1   | 3-3-71 | R. GAGNE |      |
| 2   | 3-3-71 | R. GAGNE |      |
| 3   | 3-3-71 | R. GAGNE |      |
| 4   | 3-3-71 | R. GAGNE |      |
| 5   | 3-3-71 | R. GAGNE |      |
| 6   | 3-3-71 | R. GAGNE |      |
| 7   | 3-3-71 | R. GAGNE |      |
| 8   | 3-3-71 | R. GAGNE |      |

|                                      |                  |                |             |                |          |
|--------------------------------------|------------------|----------------|-------------|----------------|----------|
| ETCH REV                             | F                | QTY.           | DESCRIPTION | PART NO.       | ITEM NO. |
| FIRST USED ON OPT/MOD                | AA11-A           |                |             |                |          |
| PARTS LIST                           |                  |                |             |                |          |
| UNLESS OTHERWISE SPECIFIED           |                  |                |             |                |          |
| DIMENSIONS IN INCHES                 |                  |                |             |                |          |
| TOLERANCES                           |                  |                |             |                |          |
| DECIMALS                             | FRACTIONS        | ANGLES         |             |                |          |
| = .005                               | = 1/32           | = 0°30'        |             |                |          |
| REMOVE BURRS AND BREAK SHARP CORNERS |                  |                |             |                |          |
| MATERIAL                             | NEXT HIGHER ASSY |                |             |                |          |
| FINISH                               | A-ML-AAH-A       |                |             |                |          |
| SCALE                                | NONE             |                |             |                |          |
| SHEET                                | 1 OF 2           |                |             |                |          |
| TITLE                                |                  | NUMBER         |             | REV            |          |
| DISPLAY CONTROL M799                 |                  | DCSM799-0-1    |             | E              |          |
| DATE                                 |                  | DATE           |             | DATE           |          |
| 12-22-70                             |                  | 1-5-71         |             | 1-5-71         |          |
| DRN. W.F. M. C. GAGNE                |                  | CHKD. R. GAGNE |             | ENGR. R. GAGNE |          |
| DATE 10/12/70                        |                  | DATE 12-22-70  |             | DATE 1-5-71    |          |
| DIGITAL EQUIPMENT CORPORATION        |                  |                |             |                |          |

REV E  
NUMBER D CSM799-0-1

1 of 2

This drawing and specifications, herein, are the property of Digital Equipment Corporation and shall not be reproduced or copied or used in whole or in part as the basis for the manufacture or sale of items without written permission.



NOTE:  
\* CUT OUT JUMPERS AND C28 WHEN USED WITH THE VR20 COLOR CONTROL M7990.

|           |  |
|-----------|--|
| REV       |  |
| CHANGE NO |  |
| CHK       |  |

| FIRST USED ON OPTION/MOD                                | QTY. | DESCRIPTION | PART NO.                   | ITEM NO.     |
|---|------|-------------|----------------------------|--------------|
| A A11-A   |      |             |                            |              |
| PARTS LIST  |      |             |                            |              |
| digital EQUIPMENT CORPORATION<br>MAYNARD, MASSACHUSETTS |      |             |                            |              |
| TITLE<br><b>DISPLAY CONTROL M799</b>                    |      |             |                            |              |
| NEXT HIGHER ASSY<br>A-ML-A A11-A                        |      |             | SIZE CODE<br>D ICSM799-0-1 | REV.<br>E    |
| FINISH  |      |             | SCALE                      | SHEET 2 OF 2 |
| MATERIAL  |      |             | DIST.                      |              |









