

TITLE	SHEET	SIZE	CODE	NUMBER	REV
CABINET ASSY	2 OF 4	B	DD	H960-D	N

CUSTOMER PRINT SET		ELECTRICAL					CUSTOMER PRINT SET		MECHANICAL						
H960-D	MFG. SET	FIND NO.	DRAWING NO.	REV	NO OF SHT	DESCRIPTION	OPTION NO./FILE DATE	H960-D	MFG. SET	FIND NO.	DRAWING NO.	REV	NO OF SHT	DESCRIPTION	OPTION NO./FILE DATE
		1	D-UA-H960-D-0	L	4	CABINET ASSY				1	D-UA-H960-D-0	L	4	CABINET ASSY	
			A-PL-H960-D-0	L	3	CABINET ASSY					A-PL-H960-D-0	L	3	CABINET ASSY (PL)	
X			D-IC-7009566-0-1		1	EXPANDER BOX POWER HARNESS					D-IA-7409718-0-0		1	MTG BRACKET 10 1/2 PANEL (EXP)	
			K-WL-7009566-0-2			WIRELIST					E-MD-7409447-0-0		1	PLATE SUPPORT	
X			D-IC-7008754-0-3			EXPANDER POWER HARNESS (OLD)					D-MD-7409445-0-0		1	BRACKET, HARNESS SUPPORT	
C		2	B-DD-BALL-F	#	3	DRAWING DIRECTORY					A-PL-7010865-0-0		1	BRACKET, SHIPPING	
											D-IA-7409446-0-0		1	SUPPORT, HARNESS	
											A-PS-1209224-0-0		1	LATCH, MOLDING	
											D-IA-7008909-0-0		1	CABLE, POWER EXPANDER BOX 11/45	
											C-MD-7407607-0-0		1	JONES STRIP PLATE	
								X			D-IA-7009573-0-0			6-PIN JUMPER HARNESS	
								X			D-IA-7009562-0-0			G772 SYSTEM UNIT PWR HARNESS	
								X			E-IA-7009566-0-0			EXPANDER BOX POWER HARNESS	
											A-DC-7409873-0		1	DECAL J1-J40	
										2	B-DD-BALL-F		3	DRAWING DIRECTORY	
C		12	B-DD-H7420-0	#	3	DRAWING DIRECTORY				3	C-PL-7006501-43-0		1	BASIC CABINET ASSY 19"	
C		17	B-DD-H744-0	#	3	DRAWING DIRECTORY					D-PS-1210568-1-0			SHIPPING SKID CUSHIONED	
C		18	B-DD-H745-0	#	3	DRAWING DIRECTORY									
C		19	B-DD-861-0	#	2	DRAWING DIRECTORY									
X		21	E-C S-H754-0-1	#		+20, -5 V REGULATOR				4	E-UA-H950-AA-0			BASIC CABINET ASSY 19"	
											D-DI-H950-0-1			DWG. INDEX H950	
										5	A-PL-H952-E-0		1	CASTER SET	
											D-DI-H952-0-1		1	DRAWING INDEX	
										6	A-PL-H952-F-0		1	LEVELER SET	
											D-DI-H952-0-1		1	DRAWING INDEX	
										7	A-PL-H950-S-0		1	H950-S FILTER	
											D-DI-H950-0-1		1	DRAWING INDEX	
										8	A-PL-H952-B-C		1	H952-C STAB(LIZER FEET)	
											D-DI-H952-0-1		1	DRAWING INDEX	

CUSTOMER PRINT SET CODES
X = PRINT OF DOCUMENT INCLUDED IN PRINT SET
C = INCLUDES ALL PRINTS INDICATED ON DOCUMENT
S = CONFIDENTIAL AUTHORIZED SIGNATURE REQUIRED

TITLE
CABINET ASSY
SHEET 3 OF 4
SIZE CODE
B DD
NUMBER
H960-D
REV
N

CUSTOMER PRINT SET		MECHANICAL					CUSTOMER PRINT SET		MECHANICAL				
H960-D	SET	FIND NO.	DRAWING NO.	REV	NO OF SHT	OPTION NO./FILE DATE	H960-D	SET	FIND NO.	DRAWING NO.	REV	NO OF SHT	OPTION NO./FILE DATE
		9	A-PL-H952-C-0 D-DI-H952-0-1		1 1	H952-C FAN (FRONT MOUNTED) DRAWING INDEX							
		10	D-UA-H950-B-0 D-DI-H950-0-1		1 1	FULL LENGTH DOOR 19" (RH) DRAWING INDEX							
		12	B-DD-H7420-0		3	DRAWING DIRECTORY							
		13	D-UA-H950-Q-0 D-DI-H950-0-1		1 1	H950-Q COVER PANEL 10 1/2 DRAWING INDEX							
		14	D-IA-7407936-0-0		1	PANEL, LOGO							
		15	D-UA-H950-L-0 D-DI-H950-0-1			PANEL FRAME H950-LB DRAWING INDEX							
		16	D-IA-7407926-0-0 C-SS-7407926-0-1 C-SS-7407926-0-2 C-SS-7407926-0-3		1 1 1 1	PANEL, INLAY SILK SCREEN SILK SCREEN SILK SCREEN							
		17	B-DD-H744-0		3	DRAWING DIRECTORY							
		18	B-DD-H745-0		3	DRAWING DIRECTORY							
		19	B-DD-861-0		2	DRAWING DIRECTORY							
		20	A-PL-H952-GA-0 D-DI-H952-0-1		1 1	H952-GA-FILLER STRIP DRAWING INDEX							
CUSTOMER PRINT SET CODES		X = PRINT OF DOCUMENT INCLUDED IN PRINT SET C = INCLUDES ALL PRINTS INDICATED ON DOCUMENT S = CONFIDENTIAL AUTHORIZED SIGNATURE REQUIRED					TITLE		SIZE CODE		NUMBER		REV
							CABINET ASSY		B DD		H960-D		N
							SHEET 4 OF 4						

DRAWING DIRECTORY

THIS DRAWING AND SPECIFICATIONS, HEREIN, ARE THE PROPERTY OF DIGITAL EQUIPMENT CORPORATION AND SHALL NOT BE REPRODUCED OR COPIED OR USED IN WHOLE OR IN PART AS THE BASIS FOR THE MANUFACTURE OR SALE OF ITEMS WITHOUT WRITTEN PERMISSION. COPYRIGHT © 1974, DIGITAL EQUIPMENT CORPORATION

CUSTOMER PRINT SET INDEX

THIS IS PRINT SET

DRAWING DIRECTORY
Ball-F ACCESSORY ARRANGEMENT
CIRCUIT SCHEMATIC
MTG. BOX ASSY.
MTG. BOX ASSY. (PL)

SEQUENCE

B-DD-Ball-F
D-AR-Ball-F-Ø1
D-CS-5410590-0-1
E-UA-Ball-F-Ø
A-PL-Ball-F-Ø

SEQUENCE

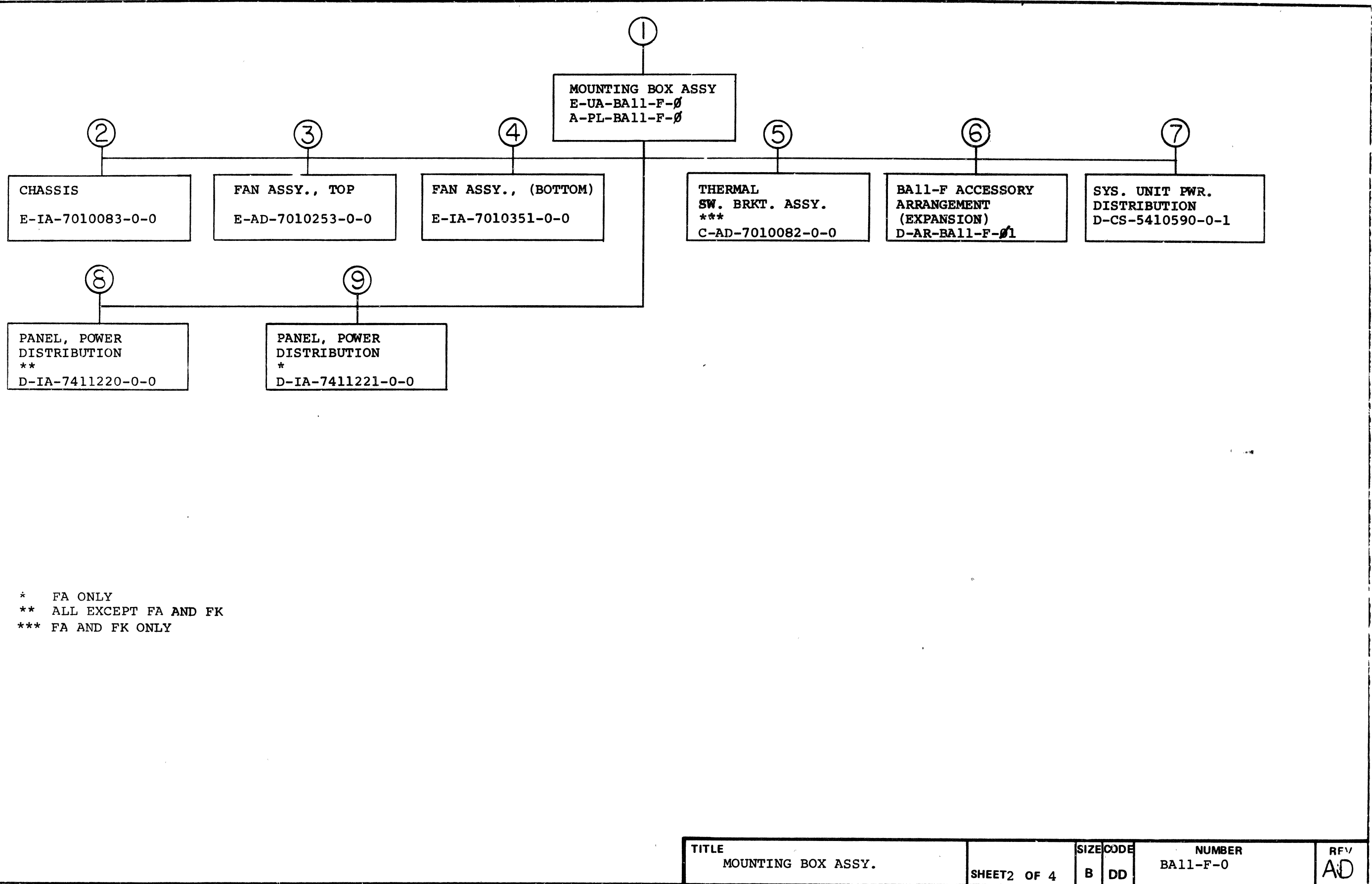
UNIT VARIATIONS		PRINT SET			
VAR	TITLE	1			
Ball-FA	MOUNTING BOX ASSY (BASIC)	X			
Ball-FB	MOUNTING BOX ASSY (EXP)	X			
Ball-FC	MOUNTING BOX ASSY (11/40)	X			
Ball-FD	FIELD EXPANSION BOX ASSY 115V	X			
Ball-FE	FIELD EXPANSION BOX ASSY 230V	X			
Ball-FH	FIELD EXPANSION BALL-FD w/+20VDC REG.	X			
Ball-FJ	FIELD EXPANSION BALL-FE w/+20VDC REG.	X			
Ball-FK	MOUNTING BOX ASSY (11/70)	X			

REVISED & REDRAWN	
DATE	REV
3-75	W
5-75	Y
6-75	Z
7-75	AA
3-76	AB
5-76	AC
	AD

USED ON OPTION/MODEL	DRN. B. BLODGETT	DATE 9/23/74	TITLE MOUNTING BOX ASSY.		
11/45	CHK'D. D. HEALY	DATE 9/25/74			
11/40					

SHEET 1 OF 4

DEC 16 (325) 1063-1A-R972



* FA ONLY
 ** ALL EXCEPT FA AND FK
 *** FA AND FK ONLY

TITLE	SIZE	CODE	NUMBER	REV
MOUNTING BOX ASSY.	B	DD	BALL-F-0	AD
SHEET 2 OF 4				

CUSTOMER PRINT SET		MECHANICAL					CUSTOMER PRINT SET		MECHANICAL						
1	MFG. SET	FIND NO.	DRAWING NO.	REV	NO OF SHT	DESCRIPTION	OPTION NO./FILE DATE	1	MFG. SET	FIND NO.	DRAWING NO.	REV	NO OF SHT	DESCRIPTION	OPTION NO./FILE DATE
		1	E-UA-BALL-F-Ø	AD	2	MOUNTING BOX ASSY.									
			A-PL-BALL-F-Ø	AD	2	MOUNTING BOX ASSY. (PL)				5	C-AD-7010082-0-0		1	THERMAL SW. BRKT. ASSY. (FA ONLY)	
			E-IA-7409272-0-0		1	BRKT. BEZEL MTG. (FA & FC ONLY)					C-MD-7412292-0-0		1	BRKT., THERMAL SW. (FA ONLY)	
			B-MD-7412297-0-0		1	TROUGH, SUPPORT (CHASSIS)									
			E-MD-7412587-0-0		1	COVER, TROUGH SUPPORT									
			E-MD-7412585-0-0		1	COVER, LEFT SIDE									
			A-DC-5309413-0-0		1	DECAL, NFPA TYPE (UL)				6	D-AR-BALL-F-Ø1		2	BALL-F ACCESSORY ARRANGEMENT (EXPANSION)	
			A-DC-5309414-0-0		1	DECAL, EDP EQUIP. (UL)									
			A-DC-7411325-0-0		1	DECAL, MECHANICAL STATUS									
			C-MD-7411363-0-0		1	KNUCKLE GUARD (EXCEPT FA)									
			B-MD-7411364-0-0		1	KNUCKLE GUARD (FA ONLY)									
			A-DC-7411324-0-0		1	EXPANDER BOX DECAL				7	D-CS-5410590-0-1		1	SYSTEM UNIT PWR. DISTRIBUTION	
			C-MD-7413130-0-0		1	CLAMP, CABLE					K-CO-5410590-Ø-4			X-Y COORDINATE HOLE LOCATION	
			C-MD-7413106-0-0		1	CLAMP, CABLE					E-AH-5410590-Ø-5			ASSY./DRILLING HOLE LAYOUT	
			C-MD-7413107-0-0		1	BAR, CABLE					B-MH-5410590-Ø-6			MODULE ECO HISTORY	
			C-MD-7413108-0-0		1	U BOLT, CABLE					5010589		REF	ETCHED CIRCUIT BOARD	
			B-IA-7011033-0-0		1	CLAMP, UNIBUS CABLE ASSY									
											C-MD-9606076-0-0		REF	ALIGNMENT FIXTURE	
		2	E-IA-7010083-0-0		1	CHASSIS				8	D-IA-7411220-0-0		1	PANEL, PQR. DISTRIB. (ALL EXCEPT FA)	
			E-IA-7412291-0-0		1	PLATE BACK, CHASSIS					C-SS-7411220-0-1		1	SILK SCREEN	
			E-IA-7412290-0-0		1	PLATE FRONT, CHASSIS									
			E-IA-7412295-0-0		1	SYS. UNIT SUPP., TOP, CHASSIS									
			E-MD-7412586-0-0		1	SYS. UNIT SUPP., BOT., CHASSIS									
			E-IA-7412294-0-0		1	MTG. BRKT., LEFT, CHASSIS				9	D-IA-7411221-0-0		1	PANEL, PWR. DISTRIB. (FA ONLY)	
			C-MD-7412293-0-0		1	MTG. BRKT., RIGHT, CHASSIS					A-SS-7411221-0-1		1	SILK SCREEN	
		3	E-IA-7010253-0-0		1	FAN ASSY, TOP									
			E-MD-7412296-0-0		1	BRKT, FAN MTG. TOP									
			E-IA-7010351-0-0		1	FAN ASSY, BOTTOM									
			E-MD-7412588-0-0			BRKT. BOTTOM FAN MTG.									

CUSTOMER PRINT SET CODES

X = PRINT OF DOCUMENT INCLUDED IN PRINT SET
 C = INCLUDES ALL PRINTS INDICATED ON DOCUMENT
 S = CONFIDENTIAL AUTHORIZED SIGNATURE REQUIRED

TITLE

MOUNTING BOX ASSY.

SIZE CODE

B DD

NUMBER

BALL-F

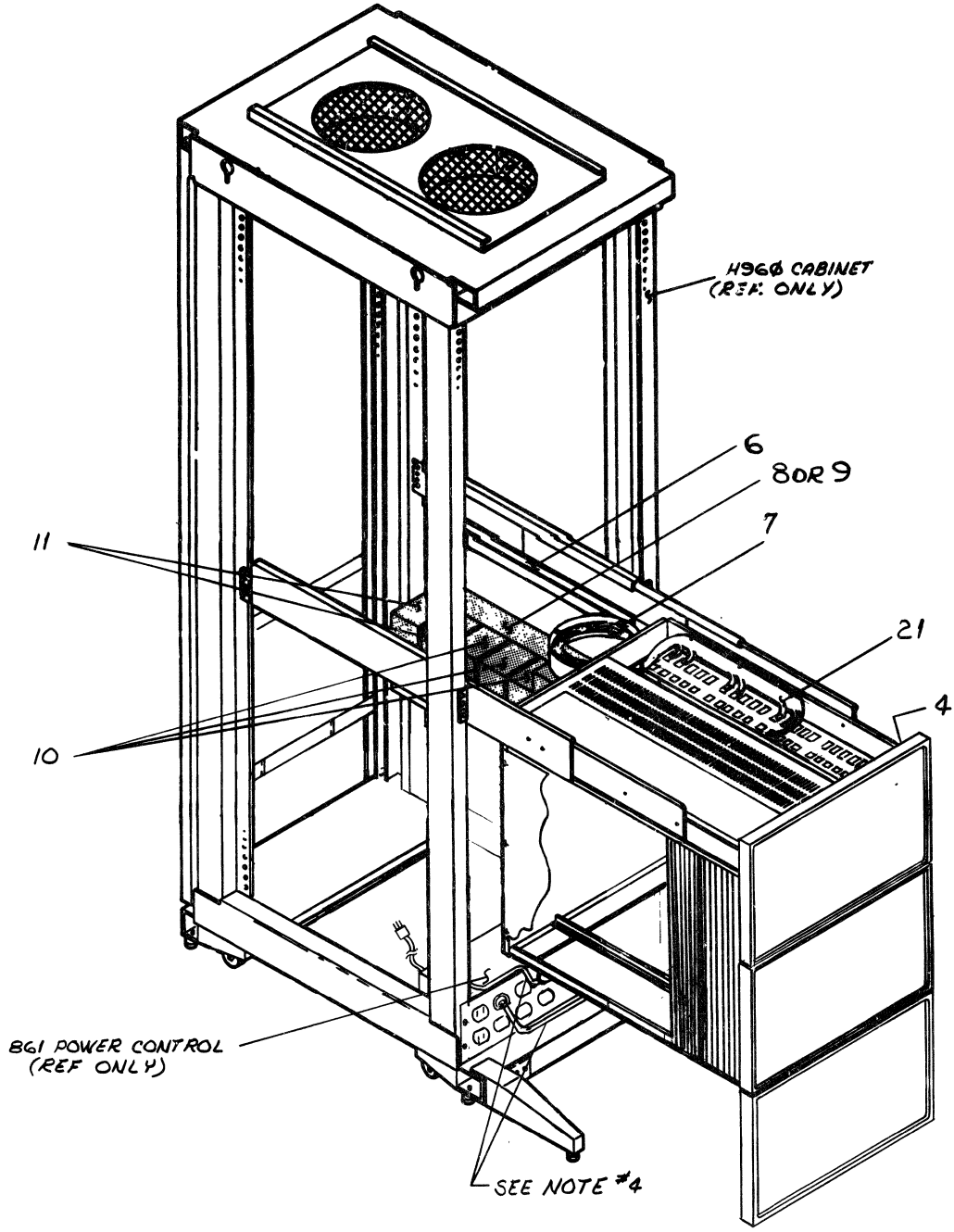
REV

AD

SHEET 4 OF 4

This drawing and specifications, herein, are the property of Digital Equipment Corporation and shall not be reproduced or copied or used in whole or in part as the basis for the manufacture or sale of items without written permission. COPYRIGHT © 1973

- NOTES:**
1. AC CONNECTION FOR CABINET FAN MAY BE ON BRACKET OR ON JONES STRIP ON INTERIOR OF REAR SIDE OF CABINET MOUNTING CHANNEL.
 2. BEHIND EACH 10 1/2" BLANK PANEL INSTALL (4) 3/8" SPACERS.
 3. OLDER SYSTEMS USED ITEMS 1,3&12 FOR POWER DISTRIBUTION, THESE PARTS ARE AVAILABLE FOR REFERENCE OR REPAIR PURPOSES
 4. H742 POWER SUPPLY AND 10 OF CABINET FANS MUST BE PLUGED INTO LINE 1 ON B61 POWER CONTROL.
 5. MAIN HARNESS (ITEM #21) HAS TWO (2) UNUSED 8-PIN PLUGS (PA OR P16 AND P15 OR P17), TO PREVENT DAMAGE TO REGULATORS, INSERT AN EMPTY MATING CONNECTOR (ITEM #24) INTO THEM AND TIE THEM OUT OF THE WAY. ALSO ADD OR REMOVE JUMPERS PER D-IC-7009566-0-1.



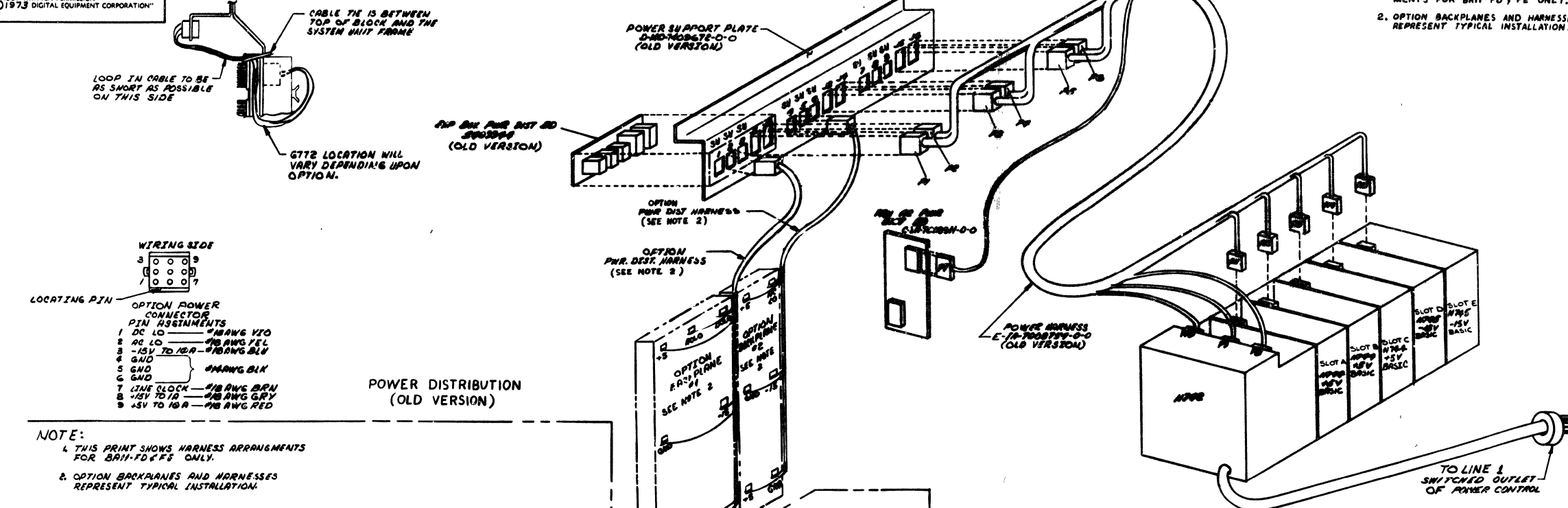
1	1	-	-	-	-	-	-	+20V REGULATOR	E-UA-H754-0-0	25
2	2	2	2	-	-	-	-	8-PIN MATE-N-LOCK (FEMALE)	1209340-0	24
18	8	18	18	-	-	-	-	ADHESIVE BACKED MOUNT	9008264	23
-	-	-	-	-	9	3	-	OPTION CABLE G772	7009562-0-0	22
1	1	1	1	-	-	-	-	BAI-F PWR. HARNESS	7009566-0-0	21
6	3	6	3	-	-	-	-	NUT TINNEMAN	9007786	20
6	3	6	3	-	-	-	-	LOCK WASHER, EXT TOOTH	9007651	19
6	3	6	3	-	-	-	-	SCR. PHL HD PAN #10-32x5/8LG	9006074-1	18
4	4	4	4	-	-	-	-	NUT KEPS #10-32	9006565	17
4	4	4	4	-	-	-	-	SCR. PHL HD PAN #10-32x1/2LG	9006073-1	16
4	4	4	4	-	-	-	-	NUT, KEPS #8-32	9006563	15
4	4	4	4	-	-	-	-	SCR. PHL HD PAN #8-32x3/8LG	9006037-1	14
1	1	1	1	-	-	-	-	REGULATOR BOARD (PS)	5409730-0-0	13
-	-	-	-	-	-	-	-	POWER HARNESS (EXP)	7008154-0-0	12
1	1	2	2	-	-	-	-	-15V REGULATOR	E-UA-H745-0-0	11
3	3	3	3	-	-	-	-	+5V REGULATOR	E-UA-H744-0-0	10
1	-	1	-	-	-	-	-	POWER SUPPLY H742-B	E-UA-H742-B-0	9
-	1	-	1	-	-	-	-	POWER SUPPLY H742-A	E-UA-H742-A-0	8
1	1	1	1	-	-	-	-	SUPPORT HARNESS	D-IA-74094460-0	7
1	1	1	1	-	-	-	-	BRKT, HARNESS SUPPORT	D-MD-74094450-0	6
1	1	1	1	-	-	-	-	PLATE SUPPORT	B-MD-74094470-0	5
2	2	2	2	-	-	-	-	MTG BRKT 10 1/2 PANEL	D-IA-7409718-0-0	4
-	-	-	-	-	-	3	-	POWER CABLE	7008855-15	3
3	3	3	3	-	-	-	-	TIE WRAP	9007880	2
-	-	-	-	-	-	9	-	POWER CABLE	7008808-17	1

BAI-F3	BAI-F4	BAI-F5	BAI-F6	BAI-F7	BAI-F8	BAI-F9
QTY VARIATION						
FIRST USED OR OPTION/MODEL						
PDPI/45						
DESCRIPTION						
ACCESSORY LIST						
PART NO.						
ITEM NO.						
UNLESS OTHERWISE SPECIFIED DIMENSION IN INCHES. TOLERANCES						
DECIMALS ANGLES						
.XXX - .005 20° 30'						
XX - .02						
X - .1						
REMOVE BURRS AND BREAK SHARP CORNERS SURFACE QUALITY						
MATERIAL						
NEXT HIGHER ASSY.						
E-UA-BAI-F-0						
FINISH						
SCALE						
SHEET 1 OF 2						
DATE 11-9-72						
CHK'D L. GILBERT						
ENG. I. MORRIS						
PROJ. ENG. I. MORRIS						
PROD. J. SWANSON						
TITLE						
BAI-F ACCESSORY ARRANGEMENT						
digital EQUIPMENT CORPORATION						
MAYFELD MASSACHUSETTS						
SIZE CODE						
NUMBER						
REV						
DAR BAI-F-01 C						

REVISIONS	REV	DATE
CHANGE NO.	REDRAWN	
OLD NUMBER WAS		
A-AL-BAI-F-01		
B		
BAI-F-00015		
V. BOAKEN		
11-9-73		
C		
BAI-F-00020		
MINOR		
11-9-73		
6-71		

"THIS DRAWING AND SPECIFICATIONS, HEREIN, ARE THE PROPERTY OF DIGITAL EQUIPMENT CORPORATION AND SHALL NOT BE REPRODUCED OR COPIED OR USED IN WHOLE OR IN PART AS THE BASIS FOR THE MANUFACTURE OR SALE OF ITEMS WITHOUT WRITTEN PERMISSION. COPYRIGHT © 1973 DIGITAL EQUIPMENT CORPORATION"

NOTE:
 1. THIS PRINT SHOWS HARNESS ARRANGEMENTS FOR BAI1-FD / FE ONLY.
 2. OPTION BACKPLANES AND HARNESSES REPRESENT TYPICAL INSTALLATION.



WIRING SIDE

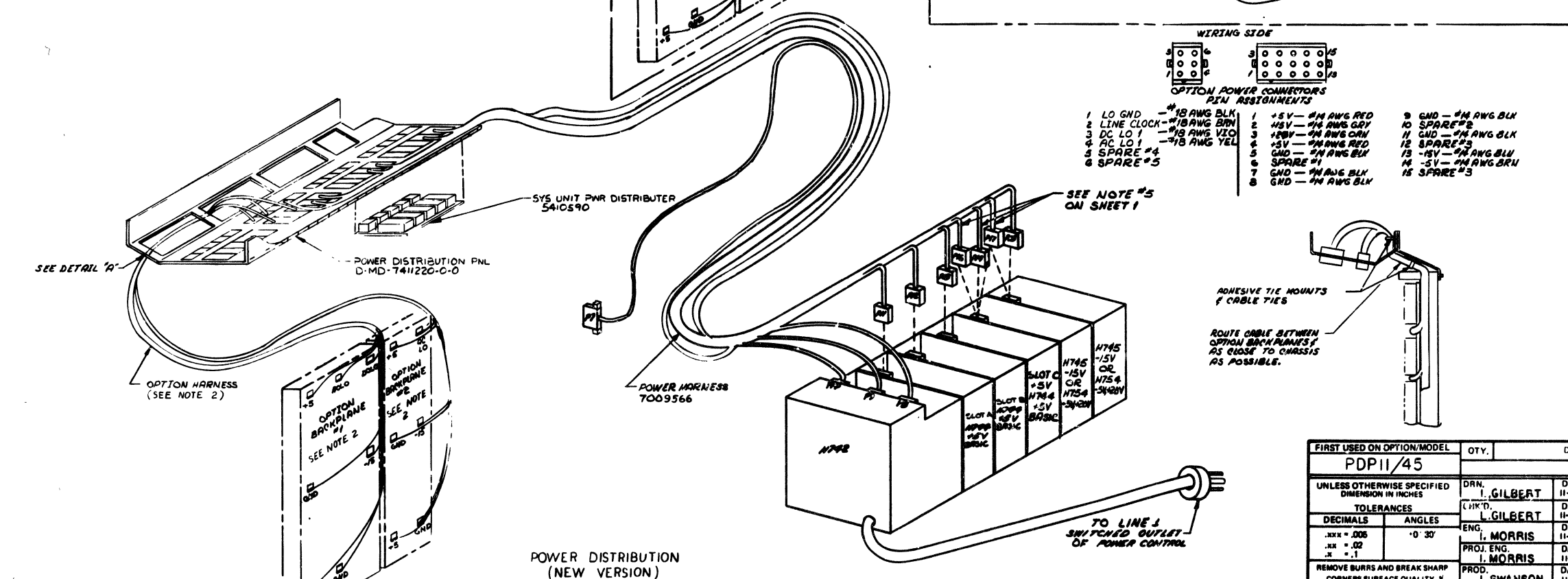
3	0	0	0	9
2	0	0	0	8
1	0	0	0	7

LOCATING PIN

OPTION POWER CONVERTER PIN ASSIGNMENTS

1	DC LO	#18 AWG VIO
2	AC LO	#18 AWG YEL
3	+5V TO 18A	#18 AWG BLK
4	GND	#18 AWG BLK
5	GND	#18 AWG BLK
6	GND	#18 AWG BLK
7	LINE CLOCK	#18 AWG BRN
8	+5V TO 1A	#18 AWG GRN
9	+5V TO 18A	#18 AWG RED

NOTE:
 1. THIS PRINT SHOWS HARNESS ARRANGEMENTS FOR BAI1-FD & FE ONLY.
 2. OPTION BACKPLANES AND HARNESSES REPRESENT TYPICAL INSTALLATION.

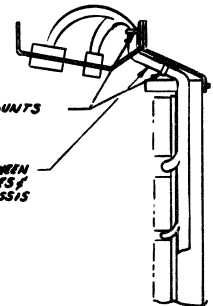


WIRING SIDE

3	0	0	0	15
2	0	0	0	14
1	0	0	0	13

OPTION POWER CONVERTER PIN ASSIGNMENTS

1	LO GND	#18 AWG BLK
2	LINE CLOCK	#18 AWG BRN
3	DC LO 1	#18 AWG VIO
4	AC LO 1	#18 AWG YEL
5	SPARE #4	
6	SPARE #5	
7	+5V	#18 AWG RED
8	+5V	#18 AWG GRN
9	+5V	#18 AWG ORN
10	+5V	#18 AWG RED
11	GND	#18 AWG BLK
12	SPARE #3	
13	-5V	#18 AWG BLU
14	-5V	#18 AWG BRN
15	SPARE #3	

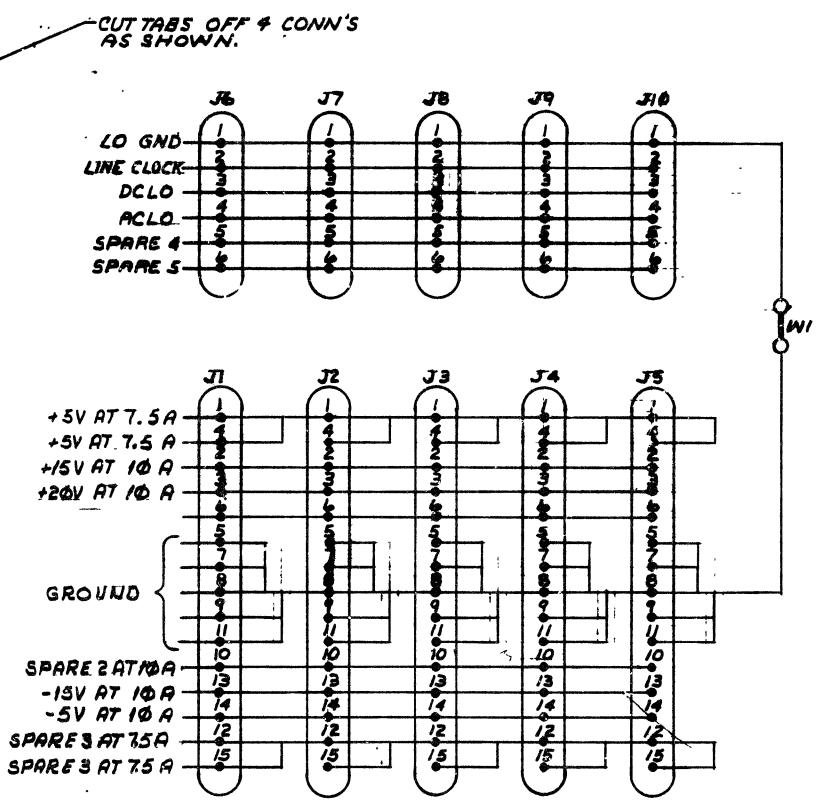
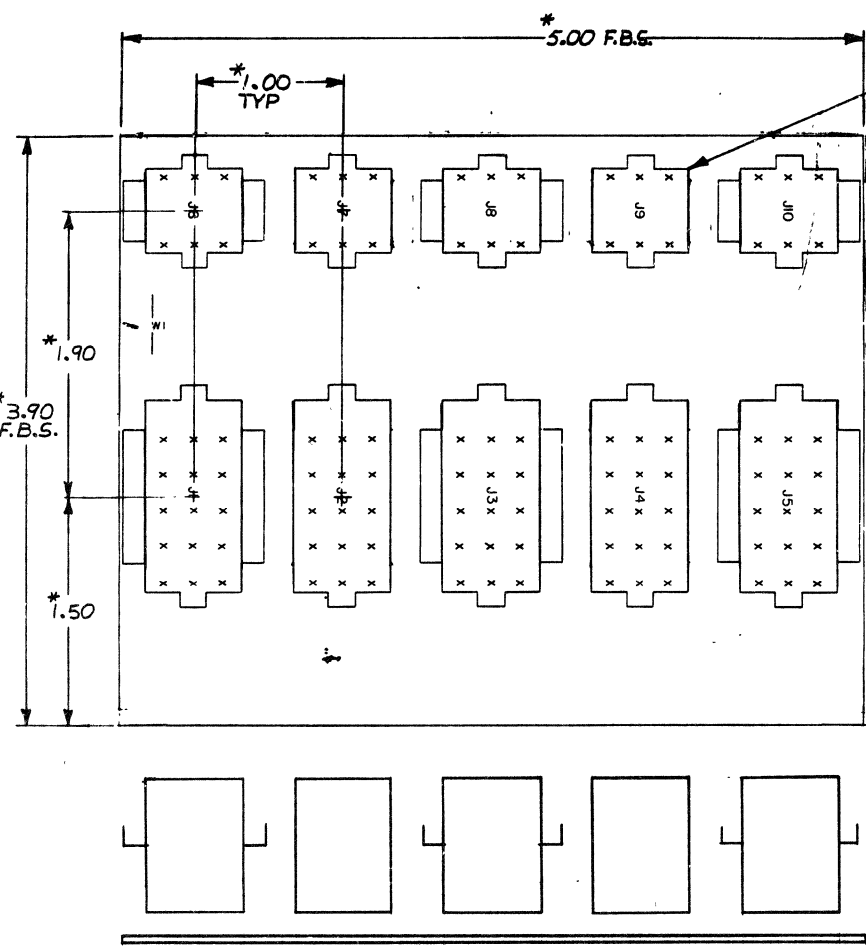


FIRST USED ON OPTION/MODEL	QTY.	DESCRIPTION	PART NO.	ITEM NO.	
PDP11/45					
PARTS LIST					
UNLESS OTHERWISE SPECIFIED DIMENSION IN INCHES	DRN. I. GILBERT	DATE 11-9-72	digital EQUIPMENT CORPORATION MAY 18, MASSACHUSETTS		
TOLERANCES	CHK'D. L. GILBERT	DATE 11-9-72			
DECIMALS	ENG. I. MORRIS	DATE 11-9-72	TITLE BAI1-F ACCESSORY ARRANGEMENT		
ANGLES	PROJ. ENG. I. MORRIS	DATE 11-9-72			
.XX ± .006	PROD. J. SWANSON	DATE 11-27-72	NEXT HIGHER ASSY. E-UA-BAI1-F-0		
.XX ± .02					
.X ± .1			SIZE CODE DAR	NUMBER BAI1-F-01	REV. C
REMOVE BURRS AND BREAK SHARP CORNERS SURFACE QUALITY 1			SHEET 2 OF 2	DIST.	
MATERIAL					
FINISH					

DEC FORM NO. 980 102 C

NOTES:

1. ALL DIM. SHOWN ARE FOR REF. ONLY INDICATED BY ASTERISKS (*)
2. ETCH CURRENT SHOWN IS MAXIMUM ALLOWABLE FOR THIS BOARD. ETCH FOR J1 THRU J10 WILL SUPPORT 100mA MAXIMUM CURRENT.
3. IF ETCH IS CHANGED IN FUTURE, "DO NOT" CHANGE POSITIONS OF J1 THRU J10, AS THEY MUST FIT IN PUNCHED PANELS AT NEXT HIGHER ASSY.
4. FIXTURE 9606076 MUST BE USED TO ALIGN J1-J10 DURING SOLDERING.



CUT TABS OFF & CONN'S AS SHOWN.

REF.	X-Y COORDINATE HOLE LOCATION	M-CO-5410590-0-1	1
REF.	ASSY/DRILLING HOLE LAYOUT	B-MH-5410590-0-5	2
REF.	MODULE ECO HISTORY	B-MH-5410590-0-6	3
1	ETCHED CIRCUIT BOARD	5010589	4
5	J6 THRU J10	CONNECTOR (6 CIRCUIT) SOCKET	1209350-06
5	J1 THRU J5	CONNECTOR (15 CIRCUIT) SOCKET	1209350-15
105	PIN, FEMALE	1209456	7
1/A	WIRE #22 AWG	9107560-01	8
REF.	ALIGNMENT FIXTURE	9606076	9

QTY	REF DESIGNATION	DESCRIPTION	PART NO.	ITEM NO.
PARTS LIST				
11/45				
ETCH BOARD REV B				
DRN.	R Counter	DATE	6-11-73	<p>digital EQUIPMENT CORPORATION MAYNARD MASSACHUSETTS</p> <p>TITLE SYSTEM UNIT POWER DISTRIBUTOR</p>
ENGR.	P. S. [Signature]	DATE	7-20-73	
ENG.	V. [Signature]	DATE	8-11-73	
PROD. ENG.	[Signature]	DATE	8-1-73	
PROD.	[Signature]	DATE	8-1-73	
NEXT HIGHER ASSY				REV. B
DEC NO.	EIA NO.	DEC NO.	EIA NO.	SCALE
SEMICONDUCTOR CONVERSION CHART				SHEET OF
SIZE CODE		NUMBER		DIST
DCS		5410590-0-1		

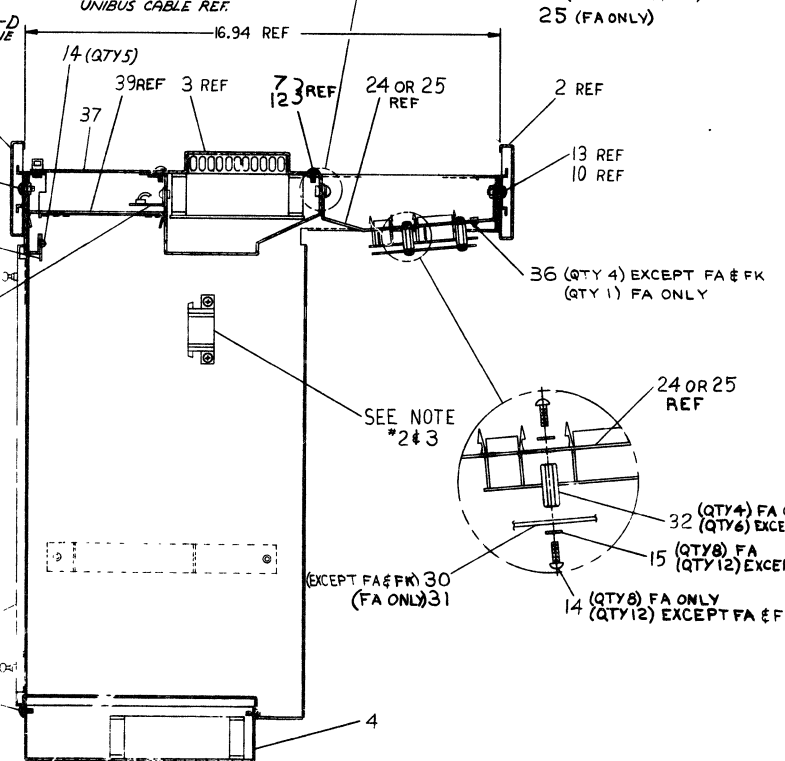
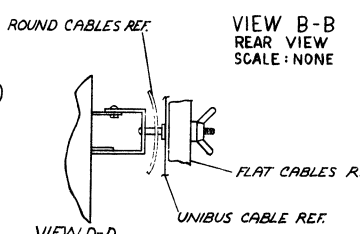
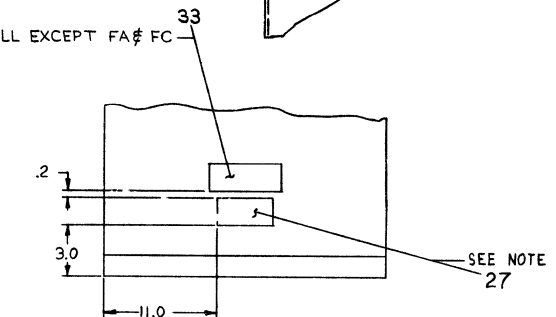
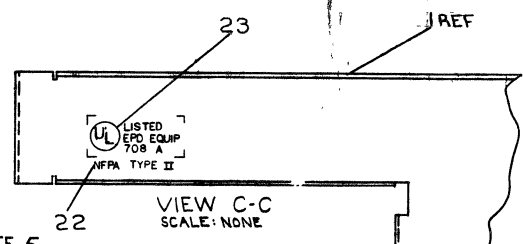
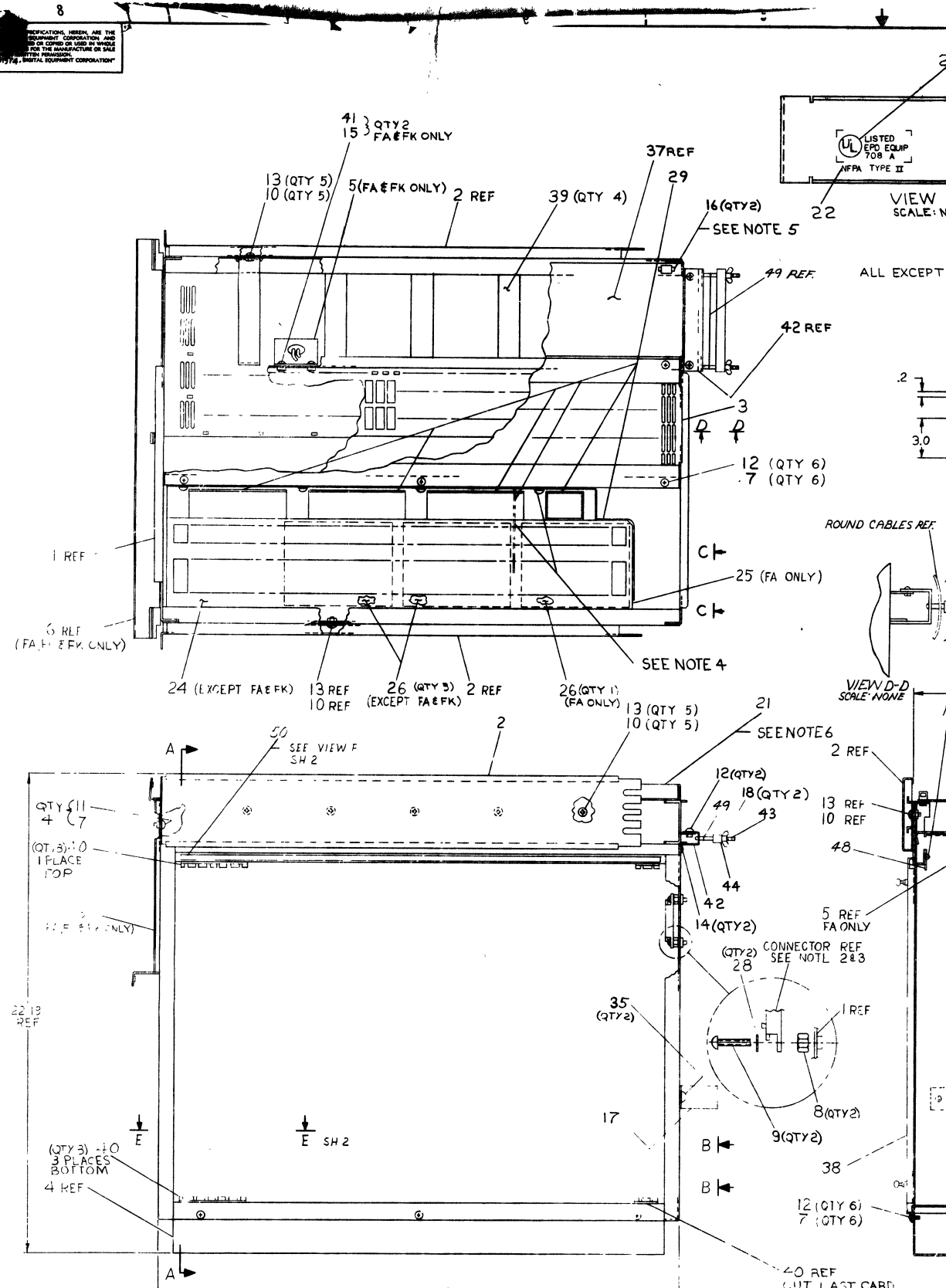
IC TYPE	GND	+5V
GND AND 5V ARE USUALLY PIN 7 AND 14 RESPECTIVELY. EXCEPTIONS ARE STATED ABOVE.		
IC PIN LOCATIONS		

DEC FORM NO. DRD-135A

NUMBER 5410590-0-1

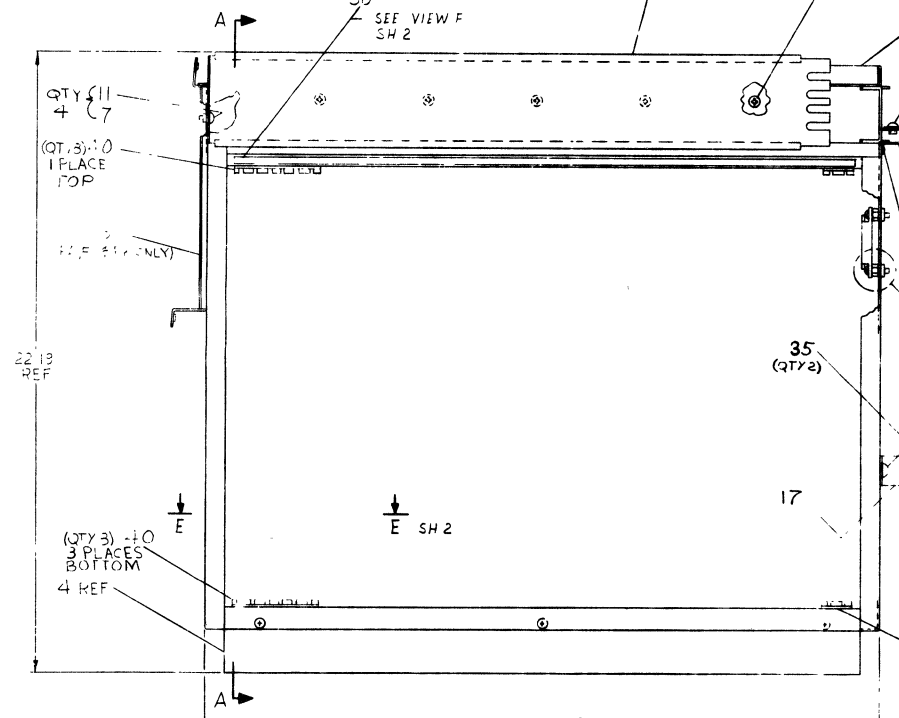
1. SPECIFICATIONS, HEREIN ARE THE PROPERTY OF THE MANUFACTURER AND ARE TO BE USED IN WHOLE OR IN PART FOR THE MANUFACTURE OR SALE OF THIS EQUIPMENT. ANY REPRODUCTION OF THIS DOCUMENT WITHOUT THE WRITTEN PERMISSION OF THE MANUFACTURER IS PROHIBITED.

J
H
F
E
D
C
B
A



LEGEND	
NUMBER	VARIATION
BAll-FA	BASIC 11/45
BAll-FB	EXPANDER
BAll-FC	BASIC 11/40
BAll-FD	FIELD EXPANSION BOX ASSY 115 V
BAll-FE	FIELD EXPANSION BOX ASSY 230 V
BAll-FH	FIELD EXPANSION BAll-FD WITH +20V DC REGULATOR
BAll-FJ	FIELD EXPANSION BAll-FE WITH +20V DC REGULATOR
BAll-FK	BASIC 11/70

- NOTES:
- MECHANICAL STATUS DECAL MUST SHOW BOX VARIATION AND REVISION.
 - CONNECTOR P13 PART OF HARNESS 7009540 IS INSTALLED AT NEXT HIGHER ASSY 11/45 OR 11/70 IT IS SHOWN FOR REF ONLY, ABOVE INFO IS FOR BAll-FA & FK ONLY
 - CONN J7 SHOWN FOR REF ONLY MATES WITH P7 PART OF HARNESS *7009566 THEY ARE INSTALLED AT NEXT HIGHER ASSY D-AR-BAll-F-0, ABOVE INFO IS FOR BAll-FD, FE, FH & FJ ONLY
 - ITEM *24 OR 25 USING PARTS *74 11 TO BE MOUNTED TO LOCATION INDICATED (FOR FA ONLY)
 - INSTALL ITEM *16 BY PUSHING IT INTO COVER ITEM *37. WHEN COVER IS CLOSED *16 WILL AUTOMATICALLY LOCK TO CHASSIS ITEM *1
 - ITEM *21 D-AR-BAll-F-0 ON THIS PARTS LIST IS FOR EXPANSION UNIT

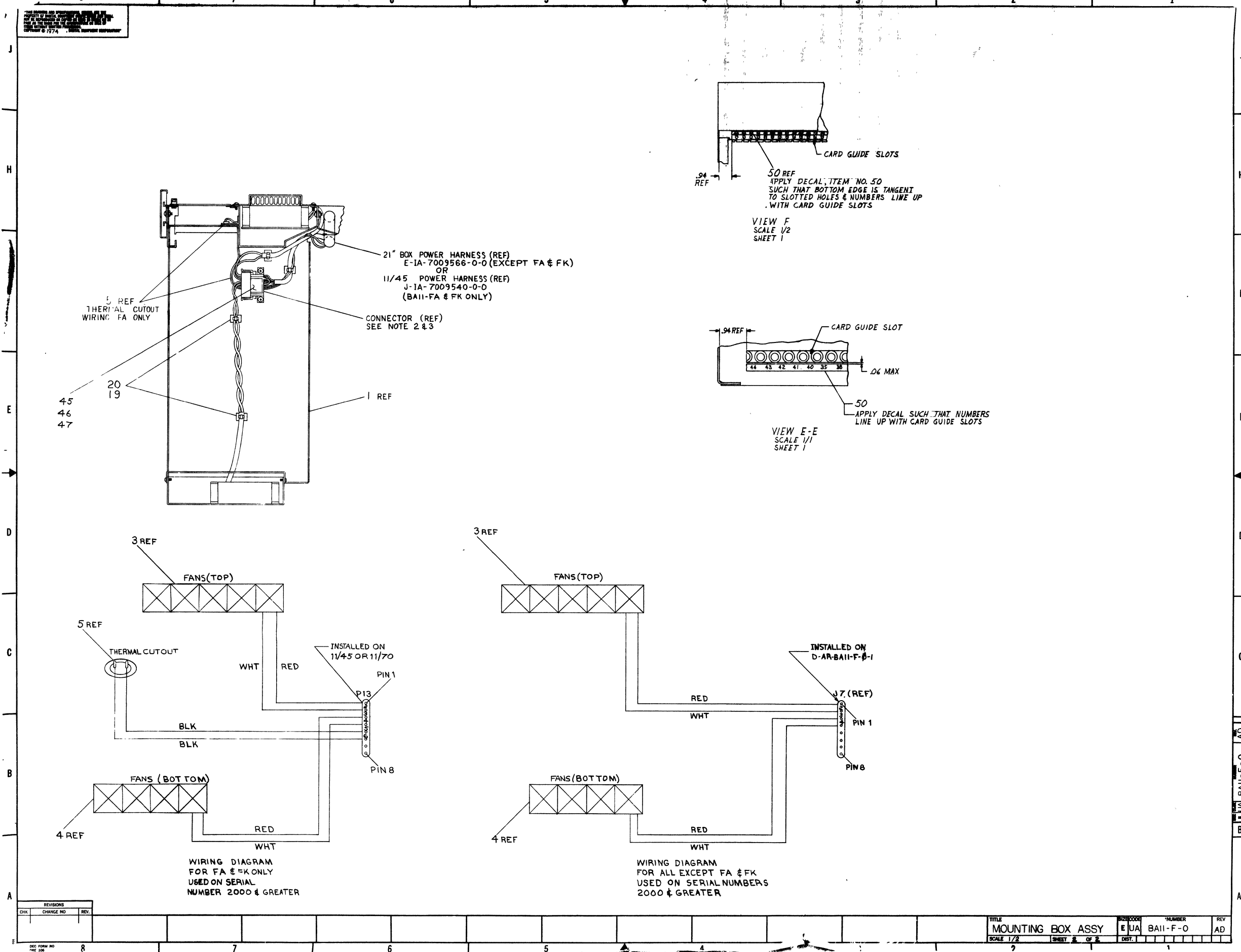


REV	DATE	DESCRIPTION
1	11/45	INITIAL RELEASE
2	11/45	REVISION
3	11/45	REVISION
4	11/45	REVISION
5	11/45	REVISION
6	11/45	REVISION
7	11/45	REVISION
8	11/45	REVISION
9	11/45	REVISION
10	11/45	REVISION
11	11/45	REVISION
12	11/45	REVISION
13	11/45	REVISION
14	11/45	REVISION
15	11/45	REVISION
16	11/45	REVISION
17	11/45	REVISION
18	11/45	REVISION
19	11/45	REVISION
20	11/45	REVISION
21	11/45	REVISION
22	11/45	REVISION
23	11/45	REVISION
24	11/45	REVISION
25	11/45	REVISION
26	11/45	REVISION
27	11/45	REVISION
28	11/45	REVISION
29	11/45	REVISION
30	11/45	REVISION
31	11/45	REVISION
32	11/45	REVISION
33	11/45	REVISION
34	11/45	REVISION
35	11/45	REVISION
36	11/45	REVISION
37	11/45	REVISION
38	11/45	REVISION
39	11/45	REVISION
40	11/45	REVISION
41	11/45	REVISION
42	11/45	REVISION
43	11/45	REVISION
44	11/45	REVISION
45	11/45	REVISION
46	11/45	REVISION
47	11/45	REVISION
48	11/45	REVISION
49	11/45	REVISION
50	11/45	REVISION

OFF SHEET PARTS LIST SEE A-PL-BAll-F-0

QTY.	DESCRIPTION	PART NO.	REV.
1
2
3
4
5
6
7
8
9
10
11
12
13
14
15
16
17
18
19
20
21
22
23
24
25
26
27
28
29
30
31
32
33
34
35
36
37
38
39
40
41
42
43
44
45
46
47
48
49
50

174
 1974



REVISIONS		
CHK	CHANGE NO	REV.

TITLE	SIZE CODE	NUMBER	REV
MOUNTING BOX ASSY	EUA	BAIL-F-0	AD
SCALE 1/2	SHEET 2 OF 2	DIST.	1

EUA BAIL-F-0 AD

DIGITAL EQUIPMENT CORPORATION MAYNARD, MASSACHUSETTS			QUANTITY/VARIATION							
PARTS LIST			BALL-FA	BALL-FB	BALL-FC	BALL-FD	BALL-FE	BALL-FH	BALL-FJ	BALL-FK
MADE BY	CHECKED	SECTION								
B. BLODGETT	D. HEALY	1								
DATE	DATE	ISSUED SECT.								
5/30/74	9/18/74	1								
ENG	PROD	ISSUED SECT.								
J.W. K...	B...	1								
DATE	DATE	ISSUED SECT.								
12/10/74	12/10/74	1								
ITEM NO.	DWG NO. / PART NO.	DESCRIPTION	BALL-FA	BALL-FB	BALL-FC	BALL-FD	BALL-FE	BALL-FH	BALL-FJ	BALL-FK
1	E-IA-7010083-0-0	CHASSIS	1	1	1	1	1	1	1	1
2	1209152-2	SLIDE CHASSIS 23" TRAVEL	1	1	1	1	1	1	1	1
3	E-IA-7010253-0-0	FAN ASSY (TOP)	1	1	1	1	1	1	1	1
4	E-IA-7010351-0-0	FAN ASSY (BOTTOM)	1	1	1	1	1	1	1	1
5	C-AD-7010082-0-0	THERMAL SWITCH BRKT ASSY	1	-	-	-	-	-	1	-
6	E-IA-7409272-0-0	BRKT. BEZEL MTG.	1	-	1	-	-	-	1	-
7	9006634	WASHER INT. TOOTH #8	16	15	16	15	15	15	15	10
8	9006818	SPACER .38 AF. X .25 LG. AL. #8	2	2	2	2	2	2	2	2
9	9006041-1	SCR. PHL. PAN HD #8-32 X .75 LG.	2	2	2	2	2	2	2	2
10	9006565	NUT KEPS #10-32	10	10	10	10	10	10	10	10
11	9006037-1	SCR. PHL. PAN HD #8-32 X .38	7	6	10	6	6	6	6	2
12	9006418-1	SCR. SELF TAP. 8-32 X .38	12	12	12	12	12	12	12	12
13	9006071-3	SCR. PH. TRUSSHD #10-32 X .38 LG.	10	10	10	10	10	10	10	10
14	9006022-1	SCR. PH. PAN HD #6-32 X .38 LG.	7	7	7	7	7	7	7	7
15	9006633	WASHER INT. TOOTH #6	10	14	14	14	14	14	14	2
16	9009537	SQUEEZE RELEASE	2	2	2	2	2	2	2	2
17	C-MD-7413130-0-0	CLAMP, CABLE	1	1	1	1	1	1	1	1
18	9006571	NUT, WING #8-32	2	2	2	2	2	2	2	2
19	9007880	TIE WRAPS	6	3	3	3	3	3	3	3
20	9008264	MOUNT ADH. BACK	6	3	3	3	3	3	3	3
21	D-AR-BALL-F-01	BALL-F ACCESSORY ARRANGEMENT	-	-	-	1	1	1	1	1
22	A-DC-5309413-0-0	DECAL, NFPA TYPE (UL)	1	1	1	1	1	1	1	1
TITLE MOUNTING BOX ASSY			ASSY NO. D-UA-BALL-F-0	SIZE CODE A PL	NUMBER BALL-F-0		REV. AD	ECO NO BALL-F-00028		
SHEET 1 OF 3			DIST.							

DEC FORM DEC 16 (325) 1031 N870
DRA 110

DIGITAL EQUIPMENT CORPORATION MAYNARD, MASSACHUSETTS			QUANTITY/VARIATION							
PARTS LIST			BALL-FA	BALL-FB	BALL-FC	BALL-FD	BALL-FE	BALL-FH	BALL-FJ	BALL-FK
MADE BY	CHECKED	SECTION								
B. BLODGETT	D. HEALY	1								
DATE	DATE	ISSUED SECT.								
5/30/74	9/18/74	1								
ENG	PROD	ISSUED SECT.								
J.W. K...	B...	1								
DATE	DATE	ISSUED SECT.								
12/10/74	12/10/74	1								
ITEM NO.	DWG NO. / PART NO.	DESCRIPTION	BALL-FA	BALL-FB	BALL-FC	BALL-FD	BALL-FE	BALL-FH	BALL-FJ	BALL-FK
45	A-DC-7406960-0-0	DECAL, 115V, 60 CYCLES	A/R	-	A/R	1	-	1	-	-
46	A-DC-7406789-0-0	DECAL, 115V, 30 CYCLES	A/R	-	A/R	-	1	-	1	A/R
47	A-DC-7400972-0-0	DECAL, P7	A/R	A/R	A/R	A/R	A/R	A/R	A/R	A/R
48	D-MD-741425-0-0	VERTICAL CARD GUIDE	1	1	1	1	1	1	1	1
49	B-JA-7010033-0-0	CLAMP UNIBUS CABLE ASSY	1	1	1	1	1	1	1	1
50	A-PS-3613281-02	DECAL, ADHESIVE BACKED, BALL-F	2	2	2	2	2	2	2	2
TITLE MOUNTING BOX ASSY			ASSY NO. D-UA-BALL-F-0	SIZE CODE A PL	NUMBER BALL-F-0		REV. AD	ECO NO BALL-F-00028		
SHEET 3 OF 3			DIST.							

DEC FORM DEC 16 (325) 1031 N870
DRA 110

DIGITAL EQUIPMENT CORPORATION MAYNARD, MASSACHUSETTS			QUANTITY/VARIATION							
PARTS LIST			BALL-FA	BALL-FB	BALL-FC	BALL-FD	BALL-FE	BALL-FH	BALL-FJ	BALL-FK
MADE BY	CHECKED	SECTION								
B. BLODGETT	D. HEALY	1								
DATE	DATE	ISSUED SECT.								
5/30/74	9/18/74	1								
ENG	PROD	ISSUED SECT.								
J.W. K...	B...	1								
DATE	DATE	ISSUED SECT.								
12/10/74	12/10/74	1								
ITEM NO.	DWG NO. / PART NO.	DESCRIPTION	BALL-FA	BALL-FB	BALL-FC	BALL-FD	BALL-FE	BALL-FH	BALL-FJ	BALL-FK
23	A-DC-5309414-0-0	DECAL, EDP, EQUIP. (UL)	1	1	1	1	1	1	1	1
24	D-IA-7411220-0-0	PANEL, POWER DISTRIBUTION	-	1	1	1	1	1	1	-
25	D-IA-7411221-0-0	PANEL, POWER DISTRIBUTION	1	-	-	-	-	-	-	-
26	D-CS-5410590-0-1	PWR. DISTRIBUTION BOARD	1	3	3	3	3	3	3	-
27	A-DC-7411325-0-0	DECAL MECHANICAL STATUS	1	1	1	1	1	1	1	1
28	9008072	WASH EXT. TOOTH #8	2	2	2	2	2	2	2	2
29	9007622	GROMMET, NYLON	12	60	60	60	60	60	60	60
30	C-MD-7411363-0-0	KNUCKLE GUARD	-	1	1	1	1	1	1	-
31	B-MD-7411364-0-0	KNUCKLE GUARD (11/45)	1	-	-	-	-	-	-	-
32	9006859	SPACER .25 AF X .75 LG. #6-32	4	6	6	6	6	6	6	-
33	A-DC-7411324-0-0	EXPANDER BOX DECAL	-	1	-	1	1	1	1	1
34	9006662	WASH. FLAT .500 O.D. X .187 I.D.	2	2	2	2	2	2	2	2
35	9006071-1	SCR. PH. HD PAN 10-32 X .38	2	2	2	2	2	2	2	2
36	9007867	CABLE TIE MOUNT	1	4	4	4	4	4	4	1
37	E-MD-7412587-0-0	COVER, TABLE TROUGH	1	1	1	1	1	1	1	1
38	E-MD-7412585-0-0	COVER, LEFT SIDE	1	1	1	1	1	1	1	1
39	B-MD-7412297-0-0	TROUGH, SUPPORT (CHASSIS)	4	4	4	4	4	4	4	4
40	D-PS-1211630-0-0	CARD GUIDE	32	32	32	32	32	32	32	32
41	9006020-1	SCR. PHL HD PAN #6-32 X .25	2	-	-	-	-	-	-	2
42	C-MD-7413106-0-0	CLAMP, CABLE	1	1	1	1	1	1	1	1
43	C-MD-7413107-0-0	BAR, CABLE	1	1	1	1	1	1	1	1
44	C-MD-7413108-0-0	U/BOLT CABLE	1	1	1	1	1	1	1	1
TITLE MOUNTING BOX ASSY			ASSY NO. D-UA-BALL-F-0	SIZE CODE A PL	NUMBER BALL-F-0		REV. AD	ECO NO BALL-F-00028		
SHEET 2 OF 3			DIST.							

DEC FORM DEC 16 (325) 1031 N870
DRA 110

digital EQUIPMENT CORPORATION
WAYNARD, MASSACHUSETTS

DRAWING DIRECTORY

"THIS DRAWING AND SPECIFICATIONS, HEREIN, ARE THE PROPERTY OF DIGITAL EQUIPMENT CORPORATION AND SHALL NOT BE REPRODUCED OR COPIED OR USED IN WHOLE OR IN PART AS THE BASIS FOR THE MANUFACTURE OR SALE OF ITEMS WITHOUT WRITTEN PERMISSION. COPYRIGHT © 1975, DIGITAL EQUIPMENT CORPORATION"

CUSTOMER PRINT SET INDEX

THIS IS PRINT SET

DRAWING DIRECTORY
POWER CONTROL 861-D
PILOT CONTROL
CIRCUIT SCHEMATIC 861-D
861-D POWER CONTROL ASSY P.L.
PACKAGING INSTRUCTIONS

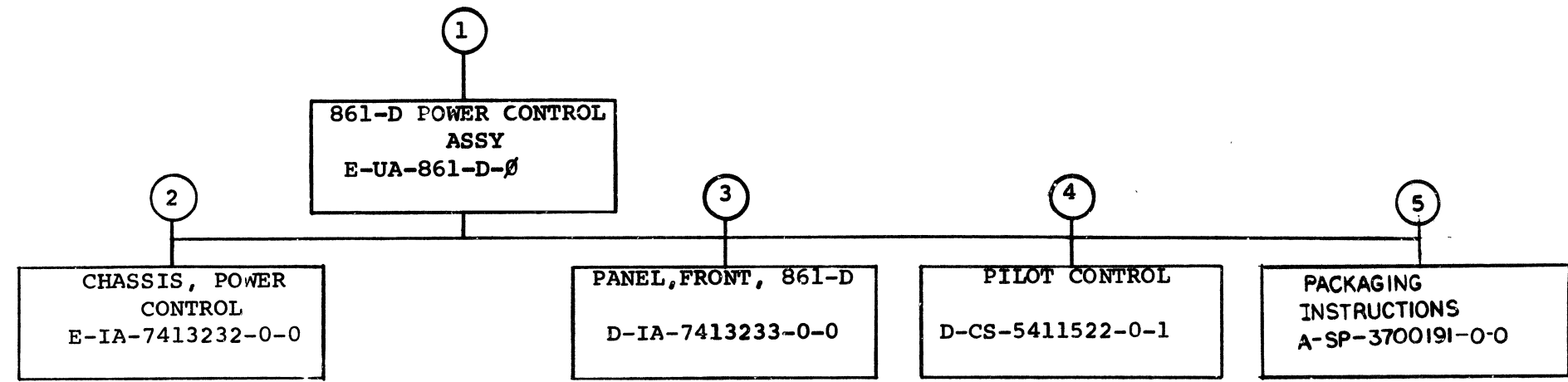
SEQUENCE		SEQUENCE		SEQUENCE	
	┌┐		┌┐		┌┐
	B-DD-861-D		E-UA-861-D-∅		D-CS-5411522-0-1
	D-CS-861-D-1		A-PL-861-D-∅		A-SP-3700191-0-0

UNIT VARIATIONS		PRINT SET			
VAR	TITLE				
861-D	861-D POWER CONTROL				

DATE	CHG. NO.	REV	USED ON OPTION/MODEL	DRN.	DATE	TITLE	SIZE	CODE	NUMBER	REV
4/2/75	10-70	A		W. McCarthy	4/7/75	861-D POWER CONTROL	B	DD	861-D	B
4/2/75	10-70	B		CHK'D. McCarthy	4/11/75					
				PROJ. ENG. [Signature]	4/11/75					
				PROD. [Signature]	4/11/75					
				FIELD SERV. [Signature]	4/15/75					
SHEET 1 OF 3										

DEC 16 (1325)-1062-1A-R972

DPR 105



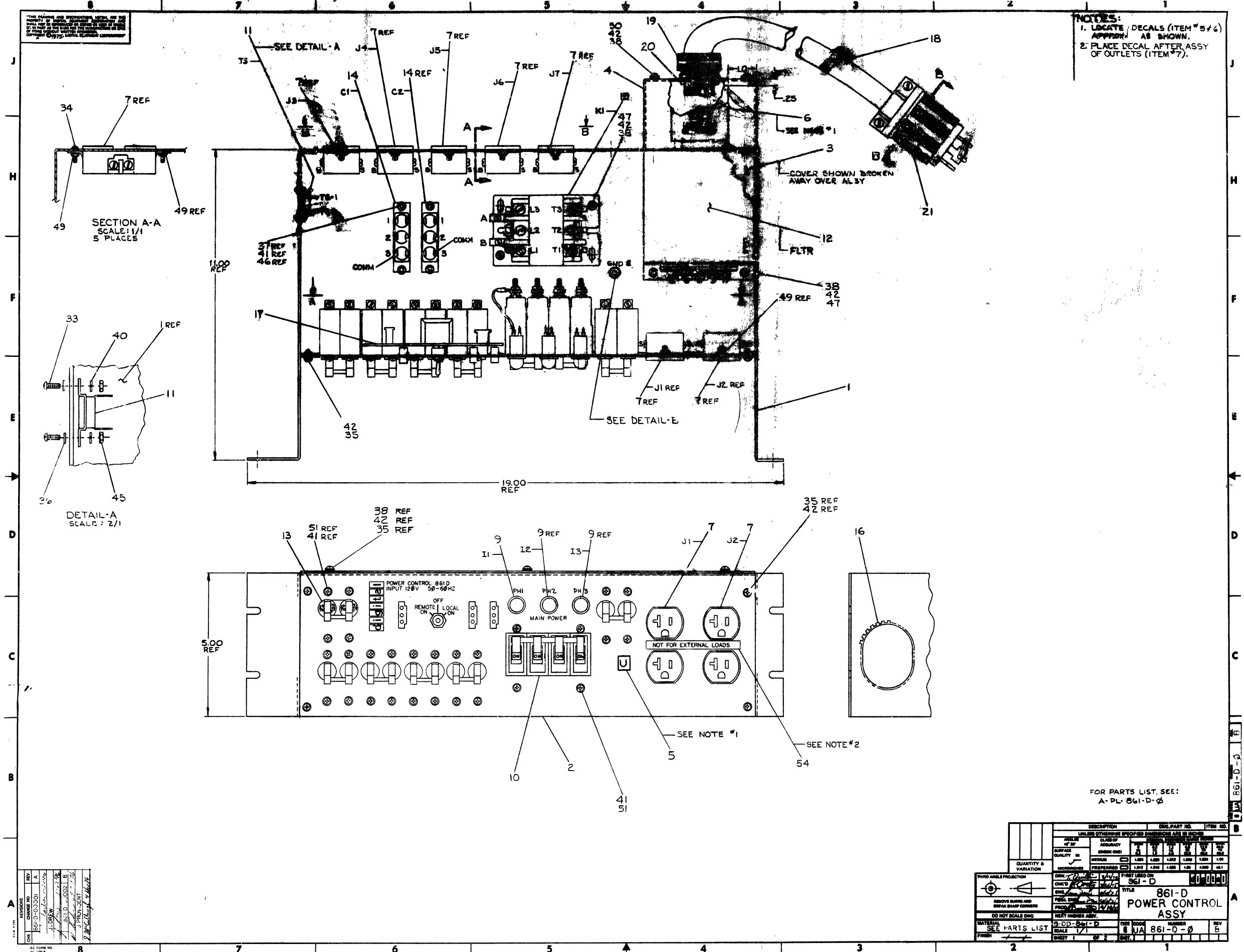
TITLE	SHEET OF	SIZE	CODE	NUMBER	REV
861-D POWER CONTROL	2 OF 3	B	DD	861-D	B

CUSTOMER PRINT SET					MECHANICAL					CUSTOMER PRINT SET					ELECTRICAL				
MFG. SET					OPTION NO./FILE DATE					MFG. SET					OPTION NO./FILE DATE				
FIND NO.	DRAWING NO.	REV	NO OF SHT	DESCRIPTION	FIND NO.	DRAWING NO.	REV	NO OF SHT	DESCRIPTION										
X	1	E-UA-861-D-0	*	2	861-D POWER CONTROL ASSY	X	1	B-DD-861-D	*	2	861-D POWER CONTROL ASSY								
X		A-PL-861-D-0	*	3	861-D POWER CONTROL ASSY P.L.	X		D-CS-861-D-1	*	1	861-D POWER CONTROL SCHEMATIC								
		C-MD-7413234-0-0		1	COVER, POWER CONTROL			A-SP-861-D-2		4	861-D TEST PROCEDURE								
		D-MD-7413419-0-0		1	BRACKET, STRAIN RELIEF														
		C-IA-7011052-0-0		1	MOV ASSY														
		C-IA-7011053-0-0		1	PILOT LAMP ASSY														
		D-IA-7010966-0-0		1	HARNESS #1, POWER CONTROL														
		D-IA-7010967-0-0		1	HARNESS #3, POWER CONTROL														
		D-IA-7010969-0-0		1	HARNESS #5, POWER CONTROL														
		D-IA-7010970-0-0		1	HARNESS #6, POWER CONTROL														
		C-IA-7010968-0-0		1	HARNESS #8, POWER CONTROL	X	4	D-CS-5411522-0-1	*	1	PILOT CONTROL								
		D-IA-7010972-0-0		1	JUMPER, WIRE			K-CO-5411522-0-4			DRILL TAPE								
		A-DC-7416582-0-1		1	DECAL (NOT FOR EXTERNAL LOADS)			B-MH-5411522-0-6			MODULE ECO HISTORY								
								A-SP-5411522-0-7			PILOT CONTROL TEST PROCEDURE								
								D-MH-5411522-0-5			ASSY DRILL HOLE LAYOUT								
	2	E-IA-7413232-0-0		2	CHASSIS, POWER CONTROL														
		B-SS-7413232-0-1		1	SILK SCREEN, CHASSIS														
	3	D-IA-7413233-0-0		2	PANEL, FRONT, 861-D														
		B-SS-7413233-0-1		1	SILK SCREEN, FRONT PANEL, 861-D														
X	5	A-SP-3700191-0-0	-	2	PACKAGING INSTRUCTIONS, 861-D														
		A-PS-9905726-0-0	-	2	FULL OVERLAP CARTON														
		A-PS-9905727-0-0	-	2	LAMINATED BUILDUP														
		A-PS-9905729-0-0	-	1	TAPE - GLASFLEX														

CUSTOMER PRINT SET CODES	X = PRINT OF DOCUMENT INCLUDED IN PRINT SET C = INCLUDES ALL PRINTS INDICATED ON DOCUMENT S = CONFIDENTIAL AUTHORIZED SIGNATURE REQUIRED	TITLE	SIZE CODE	NUMBER	REV
		861-D POWER CONTROL	B DD	861-D	B

The design and construction of this assembly is the property of the manufacturer and shall not be reproduced or used in any manner without the express written consent of the manufacturer.

- NOTES:**
1. LOCATE DECALS (ITEM #546) APPROPRIATE AS SHOWN.
 2. PLACE DECAL AFTER ASSY OF OUTLETS (ITEM #7).



FOR PARTS LIST, SEE:
A-PL-861-D-0

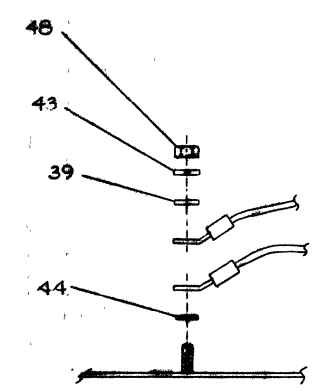
DESCRIPTION		QTY	UNIT	ITEM NO.
UNLESS OTHERWISE SPECIFIED DIMENSIONS ARE IN INCHES				
APPROX. QTY	CLASS OF FINISH	1.000	1.000	1.000
SURFACE QUALITY	FINISH	1.000	1.000	1.000
QUANTITY & VARIATION	PREPARED	1.000	1.000	1.000
THIRD ANGLE PROJECTION	DRW. NO.	861-D	REV.	0000
REMOVE BURRS AND BREAK SHARP CORNERS	ENG. NO.	861-D	REV.	0000
DO NOT SCALE DIMS	PREPARED BY	861-D	REV.	0000
MATERIAL	SEE PARTS LIST	861-D	REV.	0000
FINISH	SEE PARTS LIST	861-D	REV.	0000

REV.	DESCRIPTION	DATE
A	REVISED	11/22/54
B	REVISED	11/22/54
C	REVISED	11/22/54
D	REVISED	11/22/54
E	REVISED	11/22/54
F	REVISED	11/22/54
G	REVISED	11/22/54
H	REVISED	11/22/54
I	REVISED	11/22/54
J	REVISED	11/22/54

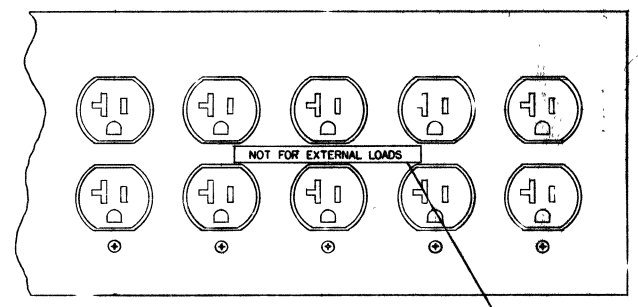
ITEM NO.	DESCRIPTION	FROM		TO		REMARKS
		COLOR	AWG	CONNECTION WITH	CONNECTION WITH	
22	BLU	10	HARNESS 1-1	KI-T3		
	BLK		-2	KI-T1		
	RED		-3	KI-T2		
	RED		-4	CB7-C-LOAD		
	BLK		-5	CB7-D-LOAD		
23	BLU	10	HARNESS 1-6	CB7-B-LOAD		
	RED	10	HARNESS 3-1	CB7-C-LINE		
	BLK		-2	CB7-D-LINE		
	BLU		-3	CB7-B-LINE		
	WHT		-4	CB7-A-LINE		
24	GRN		-5	GND #2		
	WHT		-6	FLTR-LOAD-NEUT		
	GRN		-7	FLTR-LOAD-GND		
	BLK		-8	FLTR-LOAD-PH1		
	BLU		-9	FLTR-LOAD-PH2		
	RED	10	HARNESS 3-10	FLTR-LOAD-PH3		
	BLK	14	HARNESS 5-1	CB2-B-LINE		
	BLK		-2	CB7-D-LOAD		
	WHT		-3	CB2-A-LINE		
	WHT		-4	CB7-A-LOAD		
	BLU		-11	FLT CONT-J4		
	WHT		-7	CB7-A-LOAD		
	WHT		-8	CB6-A-LINE		
	RED		-10	CB5-B-LINE		
	WHT		-11	CB5-A-LINE		
9	WHT/BLU		-12	FLT CONT-J5		
	RED		-14	CB4-B-LINE		
	WHT		-15	CB4-A-LINE		
	BLU		-16	CB1-B-LINE		
	WHT		-17	CB1-A-LINE		
	BLU		-18	CB3-B-LINE		
	WHT		-19	CB3-A-LINE		
	WHT		-20	CB7-A-LOAD		
	WHT		-22/23	CB7-A-LOAD		
	BLU		-24	CI-1		
	BLU		-25			
	BLU		-26	KI-L3		
	RED		-28	C2-1		
	RED		-29			
	RED		-30	KI-L2		
RED		-31				
BLK		-32	CI-2			
BLK		-33				
BLK		-34	KI-L1			
WHT		-35	C2-3			
BLU		-36	KI-B			
RED		-37	KI-A			
WHT		-38	CB7-A-LOAD			
BLK		-39	CB6-B-LINE			
BLU		-40	CB7-B-LOAD			
9	RED	14	HARNESS 5-42	CB7-C-LOAD		
	BLK	22	I1-BLK	CB7-A-LINE		
	RED	22	I1-RED	CB7-D-LINE		
	BLK	22	I2-BLK	CB7-A-LINE		
9	RED	22	I2-RED	CB7-C-LINE		
	BLK	22	I3-BLK	CB7-A-LINE		
9	RED	22	I3-RED	CB7-B-LINE		

ITEM NO.	DESCRIPTION	FROM		TO		REMARKS	
		COLOR	AWG	CONNECTION WITH	CONNECTION WITH		
25	WHT	14	HARNESS 6-1	J7-5			
	BLK		-2	J7-B			
	WHT		-3	J6-5			
	RED		-4	J6-B			
	WHT		-5	J5-5			
	RED		-6	J5-B			
	WHT		-7	J4-5			
	BLU		-8	J4-B			
	WHT		-9	J3-5			
	BLU		-10	J3-B			
	WHT		-11	CB1-A-LOAD			
	BLU		-12	CB1-B-LOAD			
	WHT		-13	CB3-A-LOAD			
	BLU		-14	CB3-B-LOAD			
	WHT		-15	CB4-A-LOAD			
26	RED		-16	CB4-B-LOAD			
	WHT		-17	CB5-A-LOAD			
	RED		-18	CB5-B-LOAD			
	WHT		-19	CB6-A-LOAD			
	BLK	14	HARNESS 4-20	CB6-B-LOAD			
	WHT	14	HARNESS 8-21	FLT CONT-J4			
	WHT	14	HARNESS 8-3	T5-1			
	WHT	14	HARNESS 8-4	T5-2			
	28	GRN	10	GND #1	GND #2		
	29	WHT	14	CI-3	CI-2		
	30	WHT	14	J1-S	J2-S		
	31	GRN	14	FLT CONT-J7	GND #1		
	32	BLK	14	J1-B	J2-B		
	18	BLK	10	FLTR-LINE-PH1	PLUG-X		
		RED		FLTR-LINE-PH2	PLUG-Y		
ORN			FLTR-LINE-PH3	PLUG-Z			
WHT			FLTR-LINE-NEUT	PLUG-W			
GRN		10	FLTR-LINE-GND	PLUG-G			
8			KI-A	52	KI-B	52	

NOTES FOR WIRING:
1. FOR HARNESS POINT NUMBERS, REFER TO HARNESS DWG.

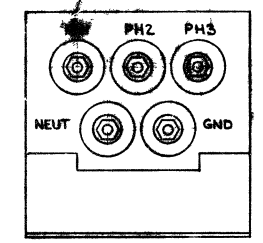


DETAIL B
TYPICAL FOR "GND 1" & "GND 2"

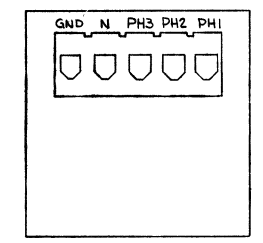


VIEW B-B

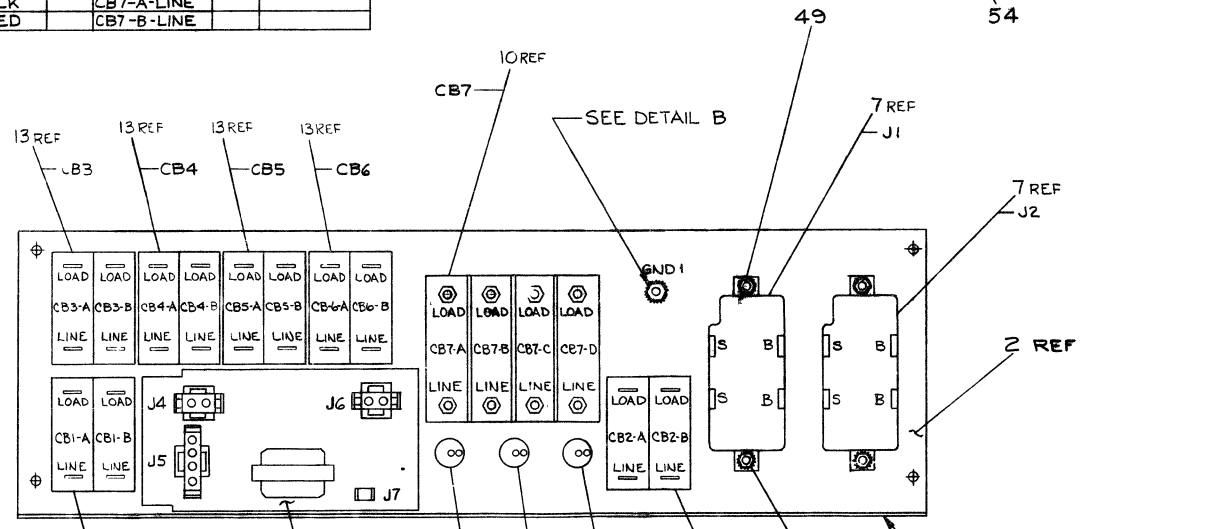
SEE NOTE #2 SHT #1



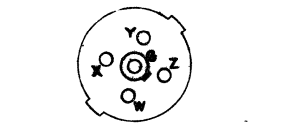
FILTER
(ITEM 12)
LOAD SIDE



FILTER
(ITEM 12)
LINE SIDE



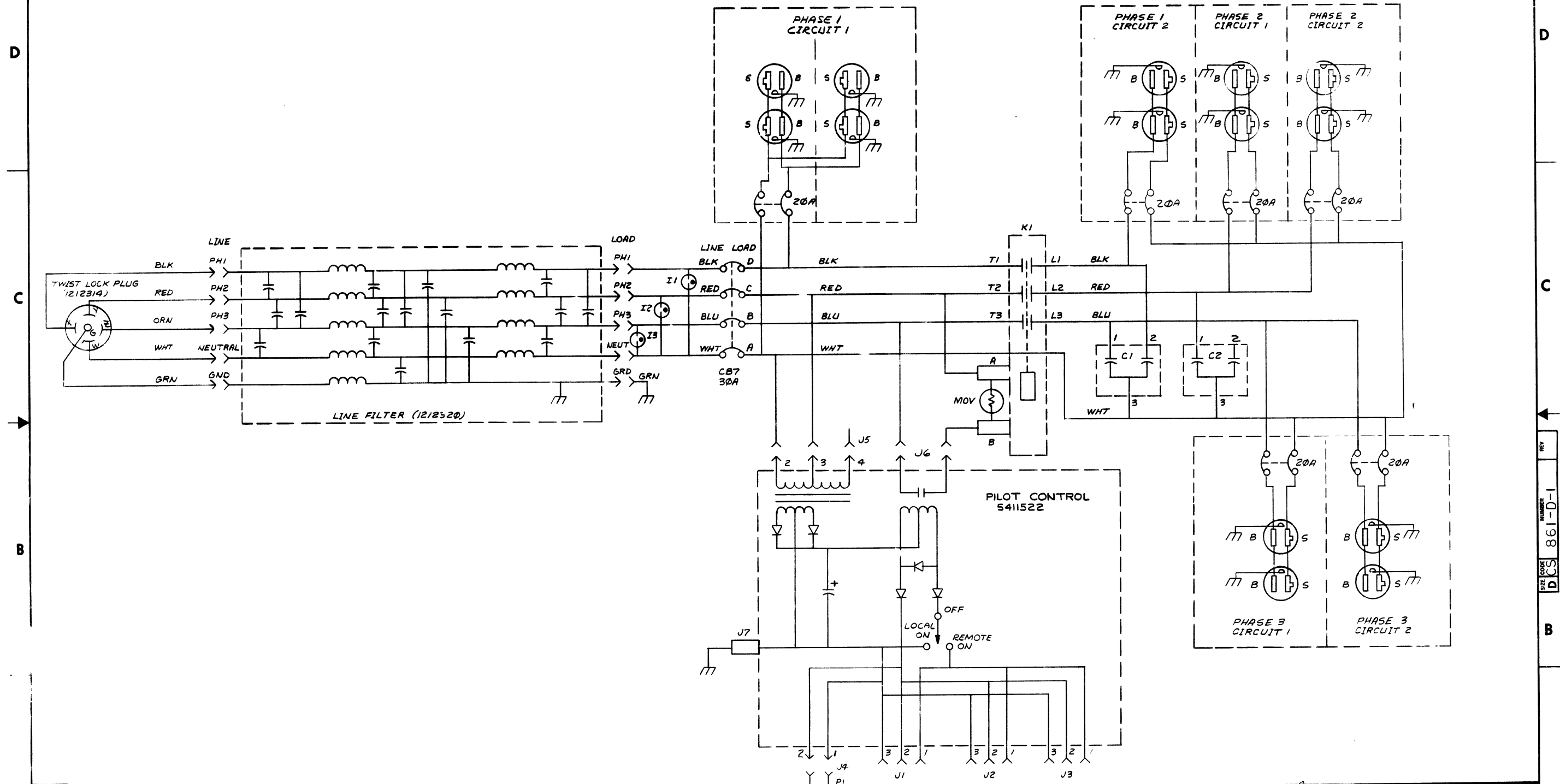
VIEW A-A




SECTION B-B
SCALE: NONE
"TWIST LOCK PLUG" (ITEM 21)

UNLESS OTHERWISE SPECIFIED DIMENSIONS ARE IN INCHES	DESCRIPTION	DWG. PART NO.	ITEM NO.
FINISH	CLASS OF ACCURACY	861-D	
SURFACE QUALITY	CHECK ONE	TITLE	861-D
QUANTITY & VARIATION	PREFERRED ONE	861-D-0	
THIRD ANGLE PROJECTION	DRN	FIRST USED ON	
DO NOT SCALE DIMS	CHK'D	861-D	
	ENG	861-D	
	PHYS. ENG.	861-D	
	PROD. ENG.	861-D	
	NEXT HIGHER ASBY	861-D-0	
	SCALE	861-D-0	
	SHEET 2 OF	861-D-0	

"THIS DRAWING AND SPECIFICATIONS, HEREIN, ARE THE PROPERTY OF DIGITAL EQUIPMENT CORPORATION AND SHALL NOT BE REPRODUCED OR COPIED OR USED IN WHOLE OR IN PART AS THE BASIS FOR THE MANUFACTURE OR SALE OF ITEMS WITHOUT WRITTEN PERMISSION. COPYRIGHT © 1975 DIGITAL EQUIPMENT CORPORATION"



DRN. <i>H. [unclear]</i> 4/20/75	FIRST USED ON	
CHK'D. <i>J. [unclear]</i> 4/20/75	861-D	
ENG. <i>[unclear]</i> 5/1/75	TITLE	
PROJ. ENG. <i>[unclear]</i> 1/12/75	POWER CONTROL,	
PROD. <i>[unclear]</i> 5/21/75	861-D	
NEXT HIGHER ASSY		
B-DD-861-D	SIZE CODE	NUMBER
SCALE	D CS	861-D-1
SHEET 1 OF 1	DIST.	REV.

REVISIONS	REV.
CHK.	

REV. NUMBER 861-D-1
SIZE CODE D CS

DIGITAL EQUIPMENT CORPORATION MAYNARD, MASSACHUSETTS			QUANTITY / VARIATION			
PARTS LIST			861-D			
MADE BY	Tyrone Quillin	CHECKED	M. Carthy	SECTION	1	
DATE	3/11/75	DATE	4/9/75	ISSUED SECT.	1	
ENG	J. D. D.	PROD	J. D. D.	ISSUED SECT.	1	
DATE	4/11/75	DATE	4/11/75	ISSUED SECT.	1	
ITEM NO.	DWG NO. / PART NO.	DESCRIPTION	861-D			
1	E-IA-7413232-0-0	CHASSIS, POWER CONTROL	1			
2	D-IA-7413233-0-0	PANEL, FRONT, 861-D	1			
3	C-MD-7413234-0-0	COVER, POWER CONTROL	1			
4	D-MD-7413419-0-0	BRACKET, STRAIN RELIEF	1			
5	3612063-00	DECAL, UE	1			
6	3610267-0-0	DECAL, "DANGER HIGH VOLTAGE"	1			
7	1212265-00	POWER CONN RECEPTACLE, 2 ϕ A, 225VAC	7			
8	C-IA-7011052-0-0	MOV ASSY	1			
9	C-IA-7011053-0-0	PILOT LAMP ASSY	3			
10	1211037-02	CIRCUIT BREAKER, 4 POL, 3 ϕ A, 24 ϕ VAC	1			
11	1211158-00	THERMOSTAT, SPST, FIXED TEMP	1			
12	1212320-00	FILTER	1			
13	1212124-01	CIRCUIT BREAKER, 2 POLE, 2 ϕ AMP	6			
14	1000034-00	DC TAPER CAPACITOR, 1 μ F, 50VDC	2			
15	1212266-00	CONTACTOR, 3 POLE, 4 ϕ A, 6 ϕ VAC	1			
16	9007035-00	GROMMET, CATERPILLAR	A/R			
17	D-CS-5411522-0-1	PILOT CONTROL	1			
18	1700028-00	POWER CORD, 5 WIRE, 1 ϕ AWG, (15F)	A/R			
19	1212410-00	STRAIN RELIEF	1			
20	9009309-00	LOCKWRT, 1/2" PIPE THREAD	1			
21	1212314-00	PLUG, TWIST LOCK, 4 POLE/5 WIRE	1			
22	D-IA-7010966-0-0	HARNESS #1, POWER CONTROL	1			
TITLE		ASSY NO.	SIZE CODE	NUMBER	REV.	ECO NO.
861-D POWER CONTROL ASSY		E-UA-861-D- β	A PL	861-D- β	B	861-D-00002
SHEET 1 OF 3		DIST.				

DEC FORM DEC 16-(325)-1031-N870
DRA 110

DIGITAL EQUIPMENT CORPORATION MAYNARD, MASSACHUSETTS			QUANTITY / VARIATION			
PARTS LIST			861-D			
MADE BY	Tyrone Quillin	CHECKED	M. Carthy	SECTION	1	
DATE	3/11/75	DATE	4/9/75	ISSUED SECT.	1	
ENG	J. D. D.	PROD	J. D. D.	ISSUED SECT.	1	
DATE	4/11/75	DATE	4/11/75	ISSUED SECT.	1	
ITEM NO.	DWG NO. / PART NO.	DESCRIPTION	861-D			
45	9006556-00	NUT, HEX, #4-40	2			
46	9006558-00	NUT, HEX, #6-32	4			
47	9006561-00	NUT, HEX, #8-32	4			
48	9006564-00	NUT, HEX, #10-32	2			
49	9006185-00	NUT, KEPS, #8-32	14			
50	9006051-1	SCR, PHL PAN HD, #6-32 x 3.00 LG	2			
51	9006020-1	SCR, PHL PAN HD, #6-32 x .25 LG	28			
52	9006622-00	WASHER, INT TOOTH, #6	2			
53	A-SP-37CON1-0-0	PACKAGING INSTRUCTIONS 861-D	1			
54	A-DC-7415582-0-1	DECAL (NOT FOR EXTENSIVE LOADS)	2			
REF D-CS-861-D-1		861-D POWER CONTROL CIRCUIT SCHEMATIC				
TITLE		ASSY NO.	SIZE CODE	NUMBER	REV.	ECO NO.
861-D POWER CONTROL ASSY		E-UA-861-D- β	A PL	861-D- β	B	861-D-00002
SHEET 3 OF 3		DIST.				

DEC FORM DEC 16-(325)-1031-N870
DRA 110

DIGITAL EQUIPMENT CORPORATION MAYNARD, MASSACHUSETTS			QUANTITY / VARIATION			
PARTS LIST			861-D			
MADE BY	Tyrone Quillin	CHECKED	M. Carthy	SECTION	1	
DATE	3/11/75	DATE	4/9/75	ISSUED SECT.	1	
ENG	J. D. D.	PROD	J. D. D.	ISSUED SECT.	1	
DATE	4/11/75	DATE	4/11/75	ISSUED SECT.	1	
ITEM NO.	DWG NO. / PART NO.	DESCRIPTION	861-D			
23	D-IA-7010967-0-0	HARNESS #3, POWER CONTROL	1			
24	D-IA-7010969-0-0	HARNESS #5, POWER CONTROL	1			
25	D-IA-7010970-0-0	HARNESS #6, POWER CONTROL	1			
26	C-IA-7010968-0-0	HARNESS #8, POWER CONTROL	1			
27						
28	D-IA-7010972-0-0	JUMPER, WIRE (GRN, #10-AWG)	1			
29	D-IA-7010972-1-0	JUMPER, WIRE (WHT, #14AWG)	1			
30	D-IA-7010972-2-0	JUMPER, WIRE (WHT, #14AWG)	2			
31	D-IA-7010972-3-0	JUMPER, WIRE (GRN, #14AWG)	1			
32	D-IA-7010972-4-0	JUMPER, WIRE (BLK, #14AWG)	2			
33	9006010-01	SCR, PHL PAN HD, #4-40 x .31 LG	2			
34	9006021-01	SCR, PHL PAN HD, #6-32 x .31 LG	5			
35	9006037-01	SCR, PHL PAN HD, #8-32 x .38 LG	10			
36	9006655-00	WASHER, FLAT, #4	2			
37	9006653-00	WASHER, FLAT, #6	4			
38	9006660-00	WASHER, FLAT, #8	12			
39	9006664-00	WASHER, FLAT, #10	2			
40	9006688-00	WASHER, SPLIT LOCK, #4	2			
41	9007801-00	WASHER, SPLIT LOCK, #6	32			
42	9006690-00	WASHER, SPLIT LOCK, #8	16			
43	9007906-00	WASHER, SPLIT LOCK, #10	2			
44	9007651-00	WASHER, EXT TOOTH LOCK, #10	2			
TITLE		ASSY NO.	SIZE CODE	NUMBER	REV.	ECO NO.
861-D POWER CONTROL ASSY		E-UA-861-D- β	A PL	861-D- β	B	861-D-00002
SHEET 2 OF 3		DIST.				

DEC FORM DEC 16-(325)-1031-N870
DRA 110

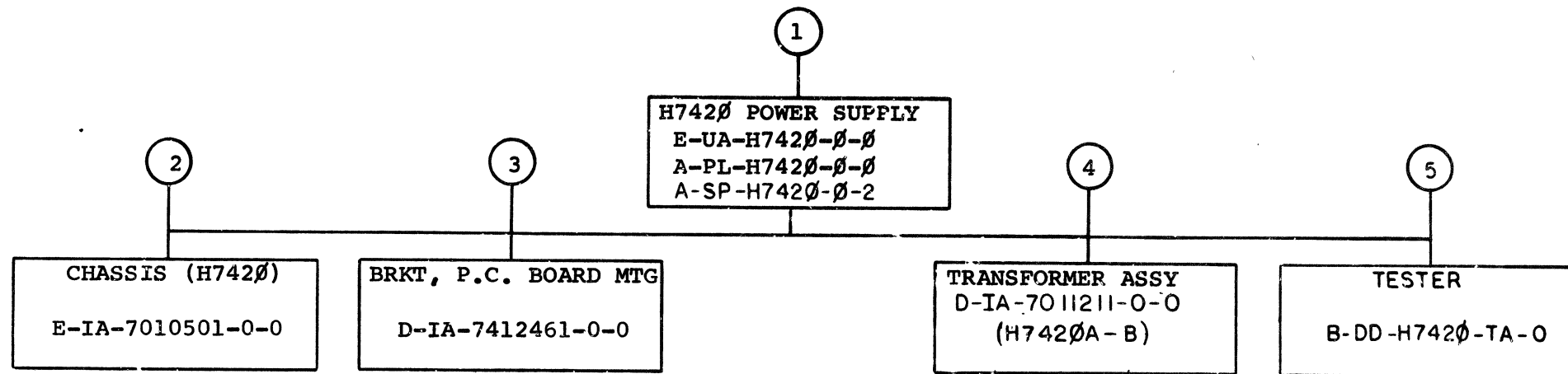
This drawing and specifications, herein, are the property of Digital Equipment Corporation and shall not be reproduced or copied or used in whole or in part as the basis for the manufacture or sale of items without written permission.

DIGITAL EQUIPMENT CORPORATION MAYNARD MASSACHUSETTS				
PACKAGING INSTRUCTION			REV: _____	DATE: _____
TITLE		861-D-E POWER CONTROL		
MATERIAL REQUIREMENTS				
Quantity	Purchase Specification No.	Description		
1	9905726	Full-Overlap Carton		
1	9905727	Laminated Buildup		
5 ft.	9905729	Glasflex Tape		
PACKAGING INSTRUCTIONS				
Step	Procedure			
1	Set up and tape Full-Overlap Carton (9905726) using one strip of Glasflex tape.			
2	Place 861 Power Control into Laminated Buildup (9905727) as shown in Figure 1. Make sure that the slots in the Laminated Buildup align with the power control chassis.			
3	Pick up Laminated Buildup from both sides and slide it into the Full-Overlap Carton (front end first).			
4	Coil the cable on the rear of the power control so that it will fit into the carton.			
5.	Close and seal carton with Glasflex tape.			

ENG. <i>Rob Guest</i>	APPD. <i>Ken Merian</i>	DATE: 5/14/75	SIZE A	CODE SP	NUMBER 3700191-0-0	REV
-----------------------	-------------------------	---------------	-----------	------------	-----------------------	-----

This drawing and specifications, herein, are the property of Digital Equipment Corporation and shall not be reproduced or copied or used in whole or in part as the basis for the manufacture or sale of items without written permission.

PACKAGING INSTRUCTION		REV: _____	DATE: _____
TITLE		861-D-E POWER CONTROL PACKAGING INSTRUCTION	
<p>NOTE Make changes to "C" size original only and rephotograph.</p>			
ENG. <i>Rob Guest</i>	APPD. <i>Ken Merian</i>	DATE: 5/14/75	SIZE A
CODE SP	NUMBER 3700191-0-0	REV	

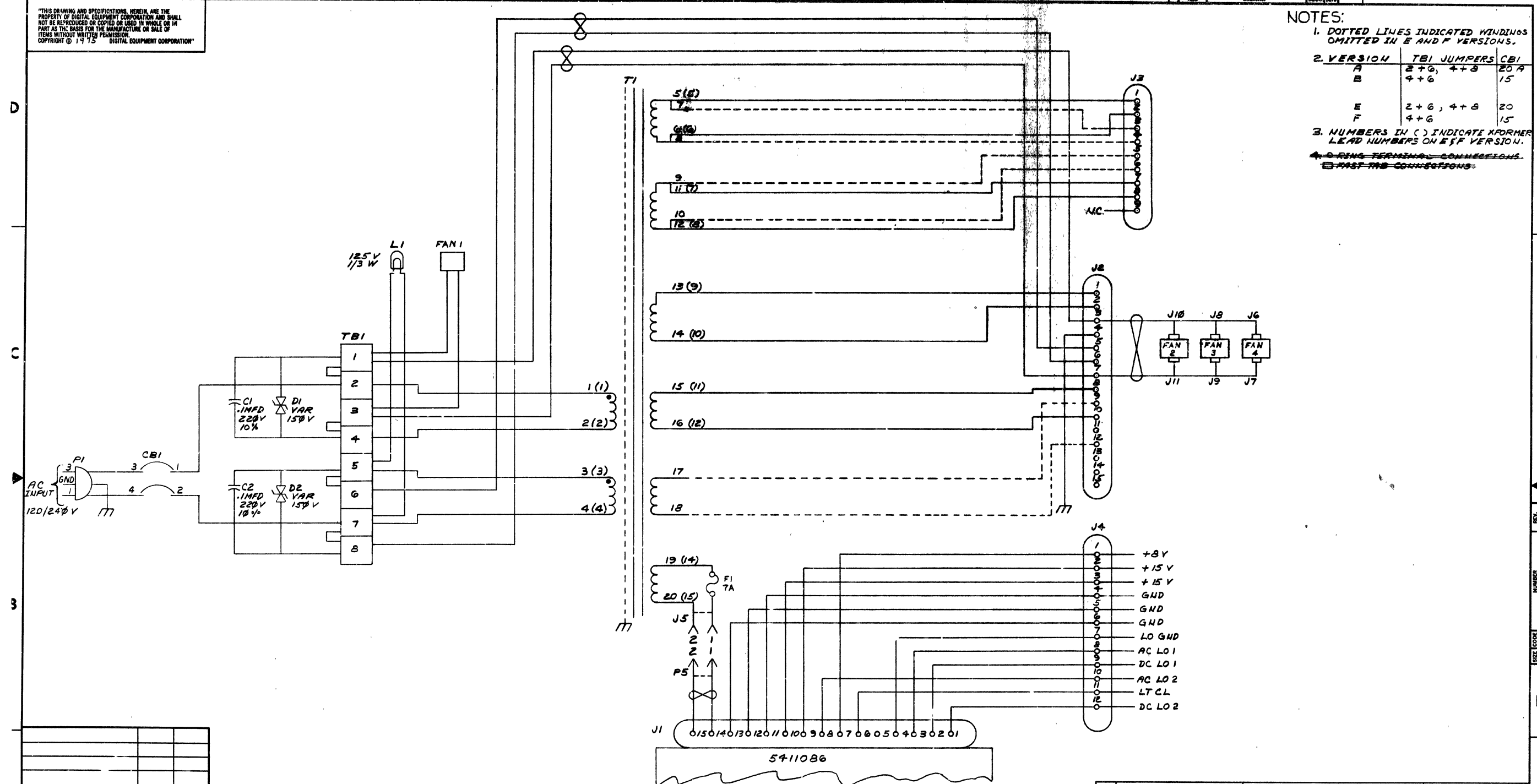


TITLE	SHEET 2 OF 3	SIZE CODE	NUMBER	REV
H742Ø POWER SUPPLY	B DD	H742Ø-Ø	E	

"THIS DRAWING AND SPECIFICATIONS, HEREIN, ARE THE PROPERTY OF DIGITAL EQUIPMENT CORPORATION AND SHALL NOT BE REPRODUCED OR COPIED OR USED IN WHOLE OR IN PART AS THE BASIS FOR THE MANUFACTURE OR SALE OF ITEMS WITHOUT WRITTEN PERMISSION. COPYRIGHT © 1975 DIGITAL EQUIPMENT CORPORATION"

- NOTES:
1. DOTTED LINES INDICATED WINDINGS OMITTED IN E AND F VERSIONS.
 2. VERSION | TBI JUMPERS | CBI

A	2+6, 4+8	20 A
B	4+6	15
E	2+6, 4+8	20
F	4+6	15
 3. NUMBERS IN () INDICATE XFORMER LEAD NUMBERS ON E & F VERSIONS.
 4. ~~○ RING TERMINAL CONNECTIONS.~~
 5. ~~□ PIN-AND CONNECTIONS.~~

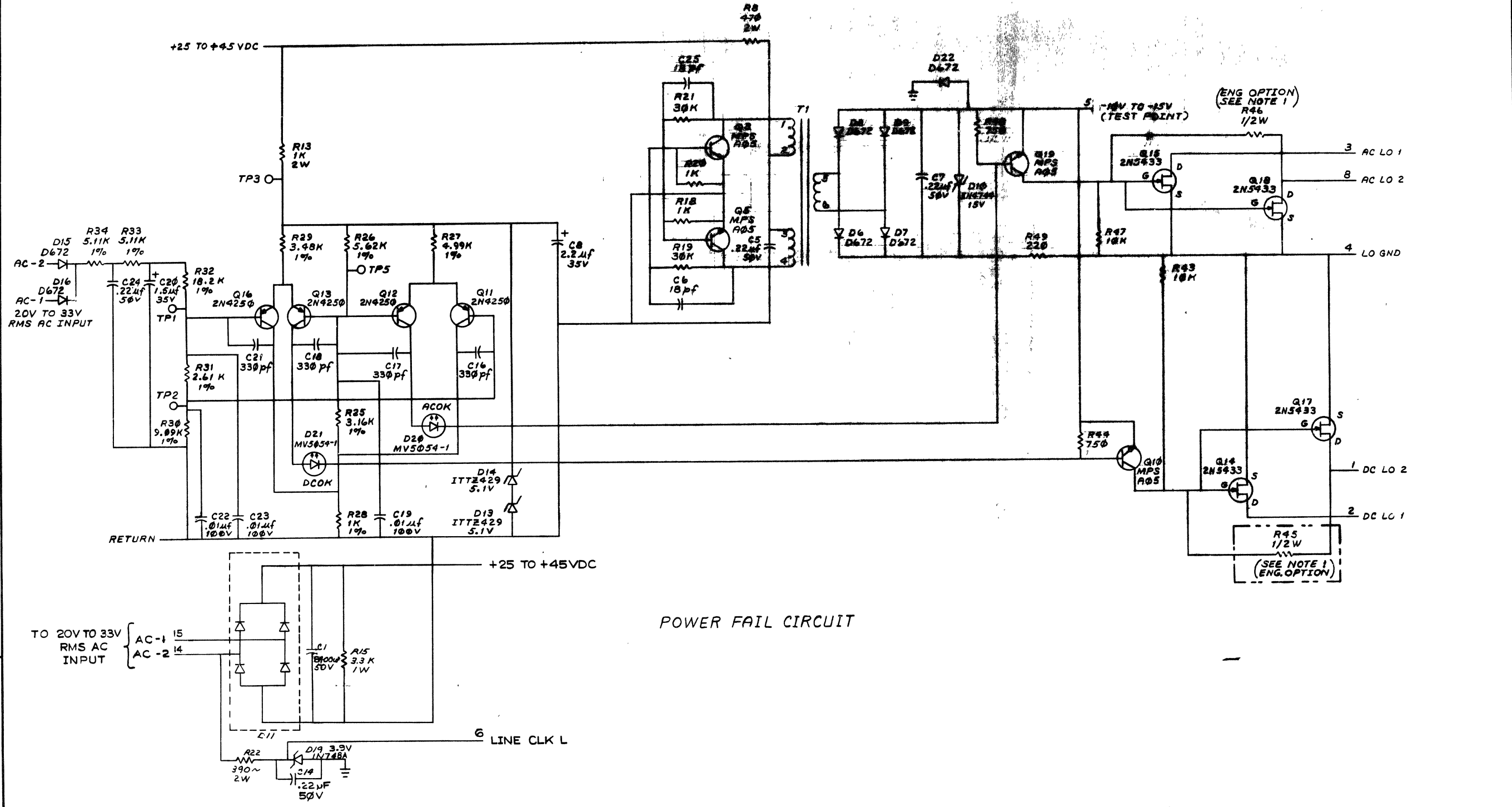


IC TYPE	GND	+5V
GND AND 5V ARE USUALLY PIN 7 AND 14 RESPECTIVELY EXCEPTIONS ARE STATED ABOVE		
IC PIN LOCATIONS		



FIRST USED ON OPTION MODEL H7420		QTY	REF. DESIGNATION	DESCRIPTION	PART NO.	ITEM NO.
PARTS LIST						
DRN. <i>M. Sinner</i> DATE 1-17-75 CHKD. <i>K. Sinner</i> DATE 2-22-75 ENGR. <i>R. Sinner</i> DATE 2/3/75 PROJ. ENGR. <i>R. Sinner</i> DATE 2/3/75 PROD. <i>R. Sinner</i> DATE 2/3/75 NEXT HIGHER ASSY + + +				DATE 1-17-75 DATE 2-22-75 DATE 2/3/75 DATE 2/3/75 DATE 2/3/75		
DEC NO. EIA NO. DEC NO. FIA NO.				SCALE + + + SHEET 1 OF 1		
SEMICONDUCTOR CONVERSION CHART				TITLE digital WIRING DIAGRAM		
SIZE CODE DCS H7420-0-1				NUMBER H7420-0-1		

"THIS DRAWING AND SPECIFICATIONS HEREIN ARE THE PROPERTY OF DIGITAL EQUIPMENT CORPORATION AND SHALL NOT BE REPRODUCED OR COPIED OR USED IN WHOLE OR IN PART AS THE BASIS FOR THE MANUFACTURE OR SALE OF ITEMS WITHOUT WRITTEN PERMISSION. COPYRIGHT © 1974, DIGITAL EQUIPMENT CORPORATION"

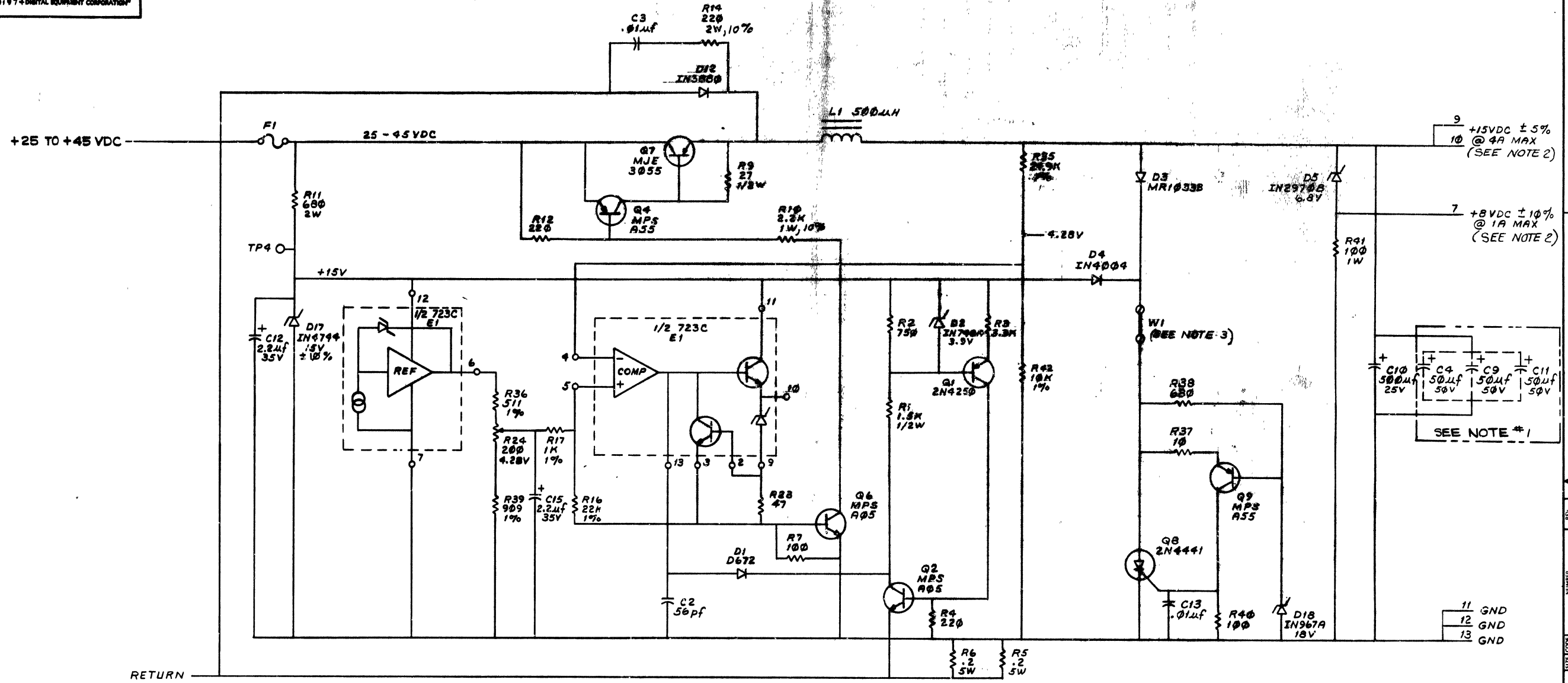


POWER FAIL CIRCUIT

REVISIONS		
CHK	CHANGE NO.	REV.

TITLE	PWR. LINE MONITOR/15V REG.	SIZE/CODE	DCS 5411086-0-1	NUMBER		REV.	
SCALE		SHEET	3 OF 4	DIST.			

THIS DRAWING AND SPECIFICATIONS HEREBY ARE THE PROPERTY OF DIGITAL EQUIPMENT CORPORATION AND SHALL NOT BE REPRODUCED OR COPIED IN WHOLE OR IN PART AS THE BASIS FOR THE MANUFACTURE OR USE OF ITEMS WITHOUT WRITTEN PERMISSION. COPYRIGHT © 1974 DIGITAL EQUIPMENT CORPORATION



15V REGULATOR
(SEE NOTE #4)

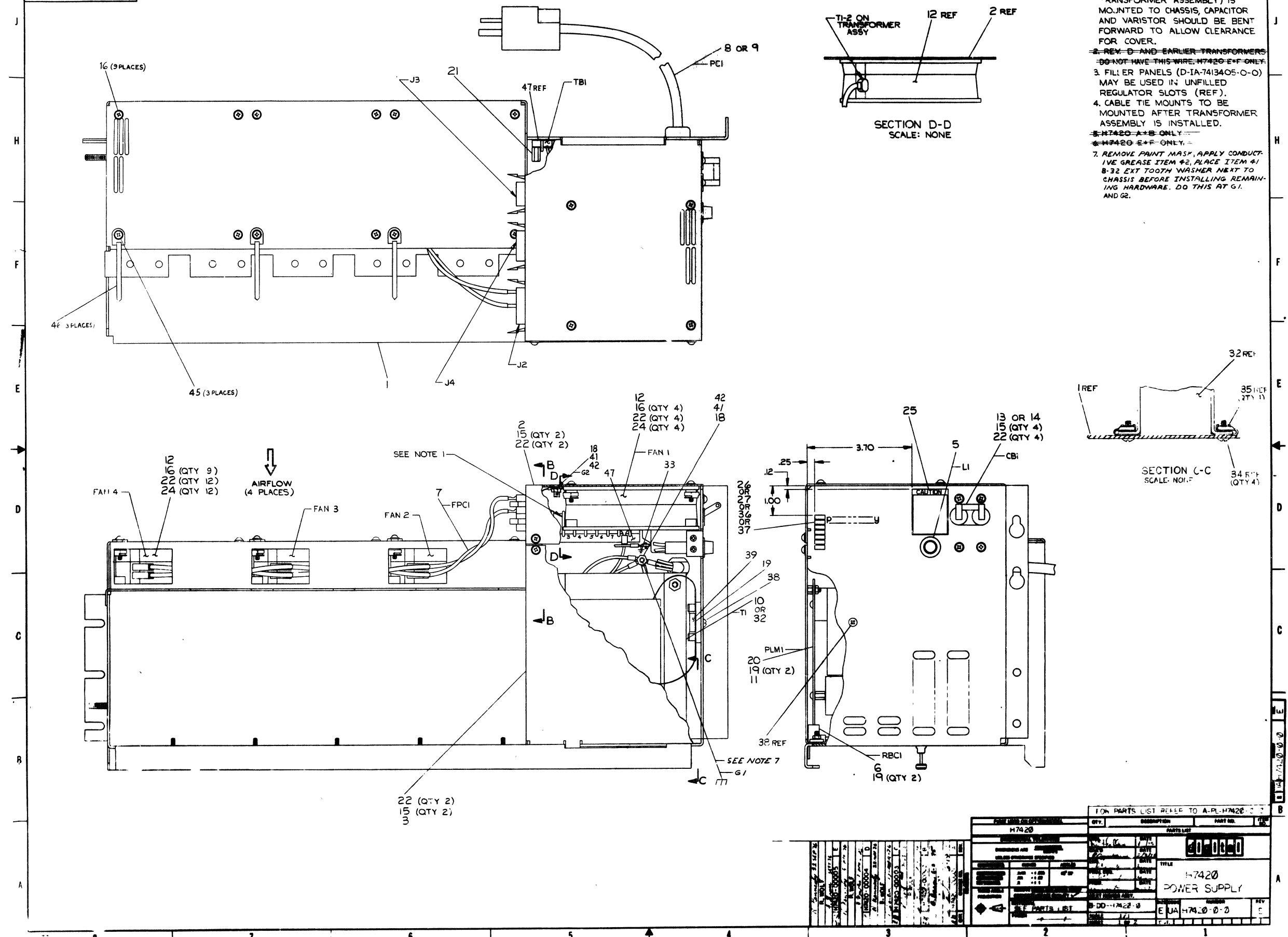
REVISIONS		
CHK	CHANGE NO.	REV.

TITLE	PWR. LINE MONITOR/15V REG.	SIZE CODE	NUMBER	REV.
SCALE	1/1	SHEET	1 OF 4	J

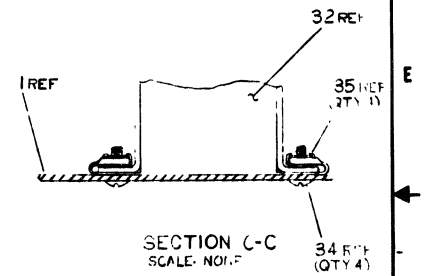
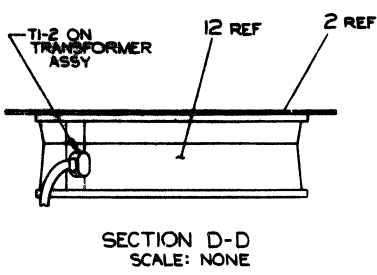
D E S I G N N U M B E R DCS 5411086-0-1 J

... DRAWING AND SPECIFICATIONS HEREIN ARE THE PROPERTY OF DIGITAL EQUIPMENT CORPORATION AND SHALL NOT BE REPRODUCED OR COPIED OR USED IN WHOLE OR IN PART AS THE BASIS FOR THE MANUFACTURE OF THIS OR OTHER ITEMS WITHOUT WRITTEN PERMISSION. COPYRIGHT © 1971, DIGITAL EQUIPMENT CORPORATION

DO NOT SCALE DRAWING



- NOTES:
- AFTER TERMINAL BLOCK (PART OF TRANSFORMER ASSEMBLY) IS MOUNTED TO CHASSIS, CAPACITOR AND VARISTOR SHOULD BE BENT FORWARD TO ALLOW CLEARANCE FOR COVER.
 - REV. D AND EARLIER TRANSFORMERS DO NOT HAVE THIS WIRE. H7420 E+F ONLY.
 - FILLER PANELS (D-IA-7413405-O-O) MAY BE USED IN UNFILLED REGULATOR SLOTS (REF).
 - CABLE TIE MOUNTS TO BE MOUNTED AFTER TRANSFORMER ASSEMBLY IS INSTALLED.
 - H7420-A+B ONLY.
 - H7420-E+F ONLY.
 - REMOVE PAINT MASK, APPLY CONDUCTIVE GREASE ITEM #2, PLACE ITEM #1 B-32 EXT TOOTH WASHER NEXT TO CHASSIS BEFORE INSTALLING REMAINING HARDWARE. DO THIS AT G1 AND G2.



FOR PARTS LIST REFER TO A-PL-H7420-C-1			
QTY.	DESCRIPTION	PART NO.	REV.
1	CHASSIS	10-00000-00	00
1	COVER	10-00000-01	00
1	TERMINAL BLOCK	10-00000-02	00
1	TRANSFORMER ASSEMBLY	10-00000-03	00
1	FAN 1	10-00000-04	00
1	FAN 2	10-00000-05	00
1	FAN 3	10-00000-06	00
1	FAN 4	10-00000-07	00
1	FPC1	10-00000-08	00
1	PLM1	10-00000-09	00
1	RBC1	10-00000-10	00
1	TI-2 ON TRANSFORMER ASSY	10-00000-11	00
1	TBI	10-00000-12	00
1	WASHER	10-00000-13	00
1	WASHER	10-00000-14	00
1	WASHER	10-00000-15	00
1	WASHER	10-00000-16	00
1	WASHER	10-00000-17	00
1	WASHER	10-00000-18	00
1	WASHER	10-00000-19	00
1	WASHER	10-00000-20	00
1	WASHER	10-00000-21	00
1	WASHER	10-00000-22	00
1	WASHER	10-00000-23	00
1	WASHER	10-00000-24	00
1	WASHER	10-00000-25	00
1	WASHER	10-00000-26	00
1	WASHER	10-00000-27	00
1	WASHER	10-00000-28	00
1	WASHER	10-00000-29	00
1	WASHER	10-00000-30	00
1	WASHER	10-00000-31	00
1	WASHER	10-00000-32	00
1	WASHER	10-00000-33	00
1	WASHER	10-00000-34	00
1	WASHER	10-00000-35	00
1	WASHER	10-00000-36	00
1	WASHER	10-00000-37	00
1	WASHER	10-00000-38	00
1	WASHER	10-00000-39	00
1	WASHER	10-00000-40	00
1	WASHER	10-00000-41	00
1	WASHER	10-00000-42	00
1	WASHER	10-00000-43	00
1	WASHER	10-00000-44	00
1	WASHER	10-00000-45	00
1	WASHER	10-00000-46	00
1	WASHER	10-00000-47	00
1	WASHER	10-00000-48	00
1	WASHER	10-00000-49	00
1	WASHER	10-00000-50	00
1	WASHER	10-00000-51	00
1	WASHER	10-00000-52	00
1	WASHER	10-00000-53	00
1	WASHER	10-00000-54	00
1	WASHER	10-00000-55	00
1	WASHER	10-00000-56	00
1	WASHER	10-00000-57	00
1	WASHER	10-00000-58	00
1	WASHER	10-00000-59	00
1	WASHER	10-00000-60	00
1	WASHER	10-00000-61	00
1	WASHER	10-00000-62	00
1	WASHER	10-00000-63	00
1	WASHER	10-00000-64	00
1	WASHER	10-00000-65	00
1	WASHER	10-00000-66	00
1	WASHER	10-00000-67	00
1	WASHER	10-00000-68	00
1	WASHER	10-00000-69	00
1	WASHER	10-00000-70	00
1	WASHER	10-00000-71	00
1	WASHER	10-00000-72	00
1	WASHER	10-00000-73	00
1	WASHER	10-00000-74	00
1	WASHER	10-00000-75	00
1	WASHER	10-00000-76	00
1	WASHER	10-00000-77	00
1	WASHER	10-00000-78	00
1	WASHER	10-00000-79	00
1	WASHER	10-00000-80	00
1	WASHER	10-00000-81	00
1	WASHER	10-00000-82	00
1	WASHER	10-00000-83	00
1	WASHER	10-00000-84	00
1	WASHER	10-00000-85	00
1	WASHER	10-00000-86	00
1	WASHER	10-00000-87	00
1	WASHER	10-00000-88	00
1	WASHER	10-00000-89	00
1	WASHER	10-00000-90	00
1	WASHER	10-00000-91	00
1	WASHER	10-00000-92	00
1	WASHER	10-00000-93	00
1	WASHER	10-00000-94	00
1	WASHER	10-00000-95	00
1	WASHER	10-00000-96	00
1	WASHER	10-00000-97	00
1	WASHER	10-00000-98	00
1	WASHER	10-00000-99	00
1	WASHER	10-00000-100	00

THIS DRAWING AND INFORMATION HEREON ARE THE PROPERTY OF GENERAL ELECTRIC COMPANY AND SHALL BE KEPT IN CONFIDENCE OR CLASSIFIED AS SECRET AS THE FACTS OF THE MATTER AND THE CONSTRUCTION OF THIS DRAWING ARE KEPT IN CONFIDENCE BY THE COMPANY © 1975, GENERAL ELECTRIC COMPANY

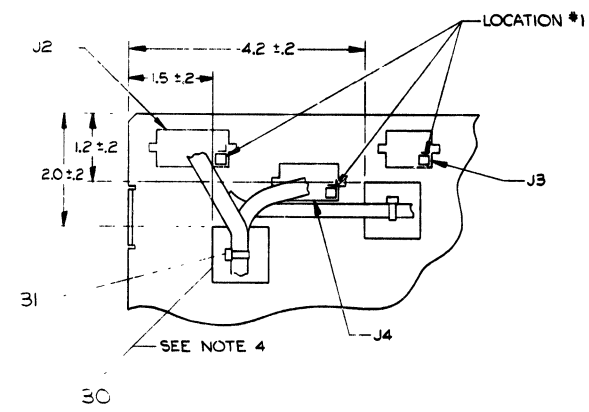
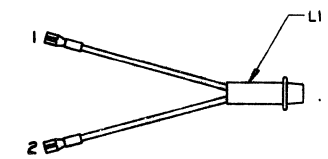
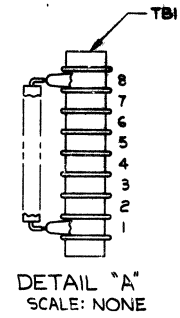
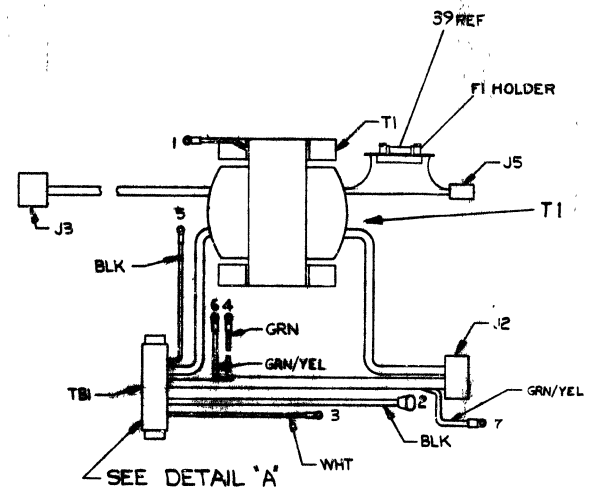
DO NOT SCALE DRAWING

WIRE TABLE

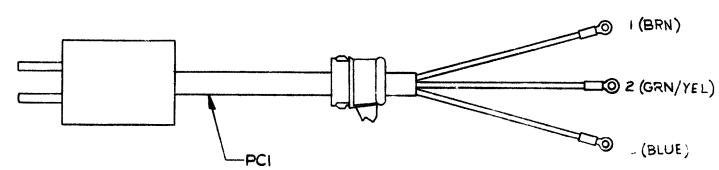
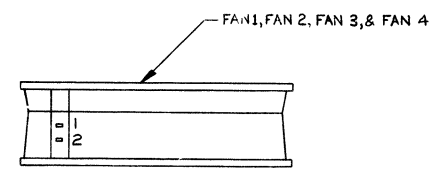
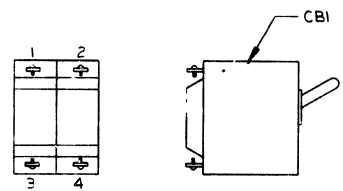
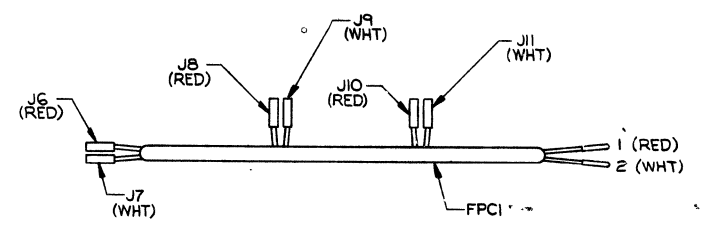
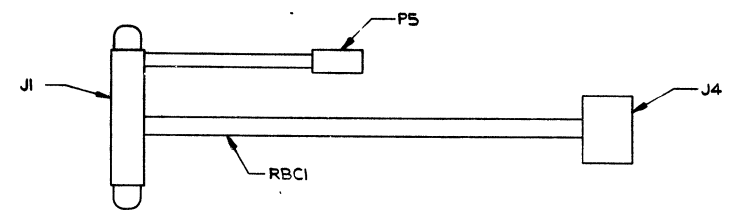
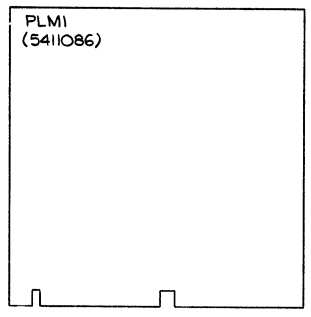
ITEM NO	DESCRIPTION	FROM CONNECTION	TO CONNECTION	REMARKS
10	14 GRN	T1-5	RBC1-P5	SEE NOTE 2,7
11	14 BLK	T1-2	FAN1-1 & 2	
12	14 WHT	T1-3	CBI-1	
13	14 GRN	T1-4	G1	SEE NOTE 7
14	14 BLK	T1-5	CBI-2	
15	22 BLK	L1-1	TBI-5	
16	22 BLK	L1-2	TBI-7	
17	18 RED	FPCI-J6	FAN 4-1	
18	18 WHT	FPCI-J7	FAN 4-2	
19	18 RED	FPCI-J8	FAN 3-1	
20	18 WHT	FPCI-J9	FAN 3-2	
21	18 RED	FPCI-J10	FAN 2-1	
22	18 WHT	FPCI-J11	FAN 2-2	
23	18 RED	FPCI-1	J2-3	
24	18 WHT	FPCI-2	J2-7	
25	14 BRN	PCI-1	CBI-4	
26	14 GRN/YEL	PCI-2	G1	SEE NOTE 7
27	14 BLU	PCI-3	CBI-3	
28	14 GRN/YEL	PLM1	RBC1-J1	SEE NOTE 7
29	14 GRN/YEL	T1-6	G1	SEE NOTE 7
30	14 GRN/YEL	T1-7	G2	SEE NOTE 7

JUMPER TABLE

ITEM NO	DESCRIPTION	FROM		TO		PRECUT LENGTH	VARIATION
		CONNECTION	WITH	CONNECTION	WITH		
29	14 BLK	TBI-2	ITEM 28	TBI-6	ITEM 28	3.0	H7420E1A
29	14 BLK	TBI-4	ITEM 28	TBI-8	ITEM 28	3.0	H7420F1B
29	14 BLK	TBI-4	ITEM 28	TBI-6	ITEM 28	3.0	H7420F1B



SECTION B-B
SCALE: NONE



REV	CHANGE NO	REV

CUSTOMER PRINT SET		ELECTRICAL						CUSTOMER PRINT SET		MECHANICAL							
H744-1		MFG. SET	FIND NO.	DRAWING NO.	REV	NO OF SHT	DESCRIPTION	OPTION NO./FILE DATE	H744-1		MFG. SET	FIND NO.	DRAWING NO.	REV	NO OF SHT	DESCRIPTION	OPTION NO./FILE DATE
X			1	D-CS-H744-0-1	Y	1	CIRCUIT SCHEMATIC	H744	X			1	E-UA-H744-0-0	Y	1	UNIT ASSY	H744
		X		A-SP-H744-0-3			TEST PROCEDURE	H744					D-PS 1210737-0-0		1	HEAT SINK	H744
		X		A-SP-H744-0-8			MFG. SPEC	H744					D-IA-5309756-0-0		1	REGULATOR BRK'T	H744
													C-IA-5309760-0-0		1	COMPONENT COVER	H744
													C-MD-5309759-0-0		1	CAPACITOR STRAP	H744
													2 A-PI-3700074-0-0	-	2	PACKAGING INSTRUCTION	H744
													A-PS-9905211-0-0	-	2	OUTER CARTON	
													A-PS-9905212-0-0	-	2	INNER PACKAGING	
													C-IA-7412388-0-0			2,5 CAP HOLDER	H744

CUSTOMER PRINT SET CODES

X = PRINT OF DOCUMENT INCLUDED IN PRINT SET
 C = INCLUDES ALL PRINTS INDICATED ON DOCUMENT
 S = CONFIDENTIAL AUTHORIZED SIGNATURE REQUIRED

TITLE

+5v REGULATOR

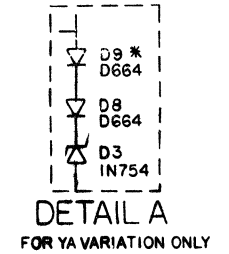
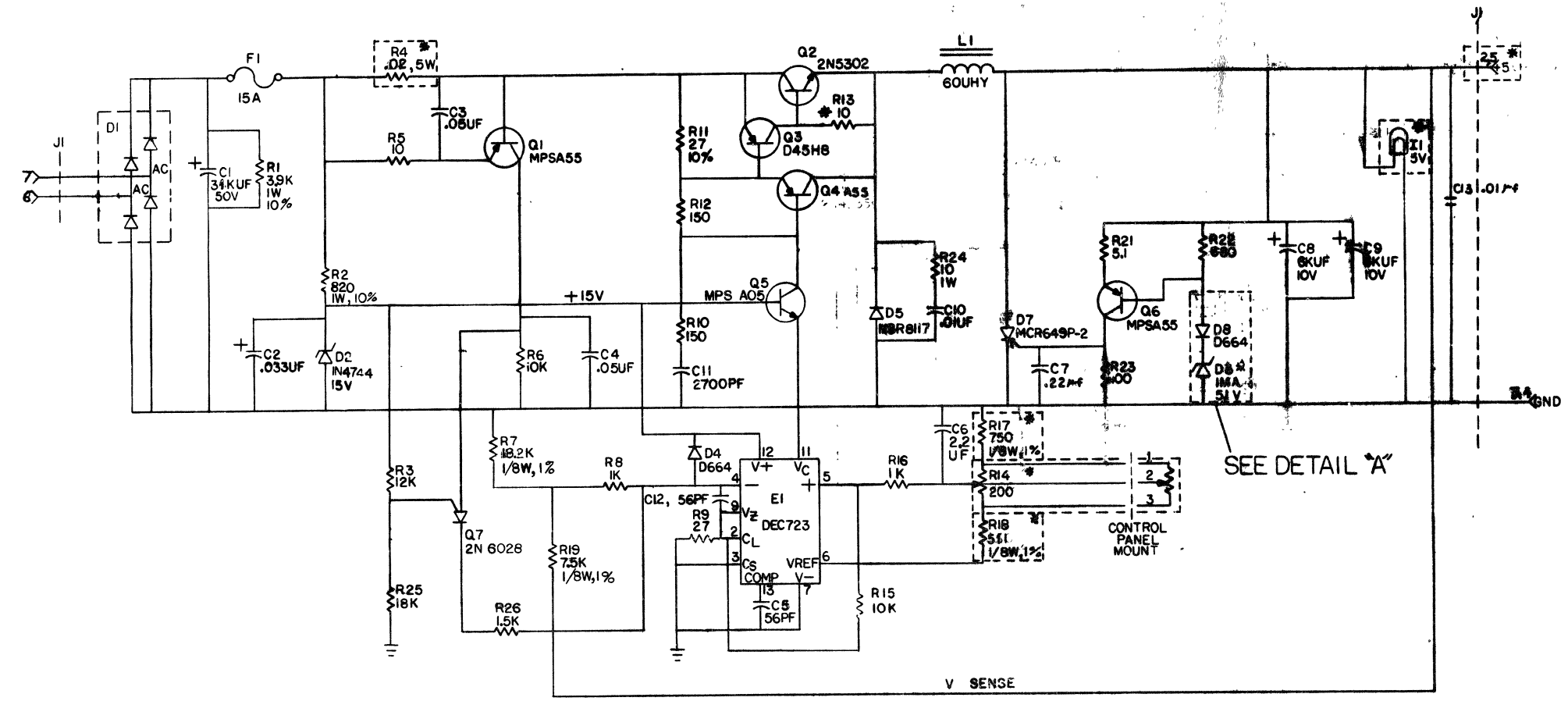
SHEET2 OF 2

SIZE COLOR
 B DD

NUMBER
 H744-0

REV
 P

The drawing and specifications, herein, are the property of Digital Equipment Corporation and shall not be reproduced or copied in whole or in part as the basis for the manufacture or sale of items without written permission. © 1975 DIGITAL EQUIP CORP.



SEE DETAIL "A"

* FUSIBLE RESISTOR

FOR YA VARIATION COMPONENT VALUES ARE AS FOLLOWS:
 R4 - .06 5W
 R14 - 1K 10 TURN
 R17 - 300 1/8W 1%
 R18 - 150 1/4W 5%
 D3 - 1N754
 I1 - 15V
 J1-2,5 - +2.0-8.0V

* D9 - D664 ADDED FOR YA VARIATION ONLY

UNLESS OTHERWISE INDICATED:
 RESISTORS ARE 1/4W, 5%

012-22-578	D. MARTEL	1-7-75
H744-00010	Y	1-7-75
H744-00016	W	1-7-75
H744-00015	V	1-7-75
H744-00014	U	1-7-75
H744-00013	T	1-7-75
H744-00012	S	1-7-75
H744-00011	R	1-7-75
H744-00010	Q	1-7-75
H744-00009	P	1-7-75
H744-00008	O	1-7-75
H744-00007	N	1-7-75
H744-00006	M	1-7-75
H744-00005	L	1-7-75
H744-00004	K	1-7-75
H744-00003	J	1-7-75
H744-00002	I	1-7-75
H744-00001	H	1-7-75

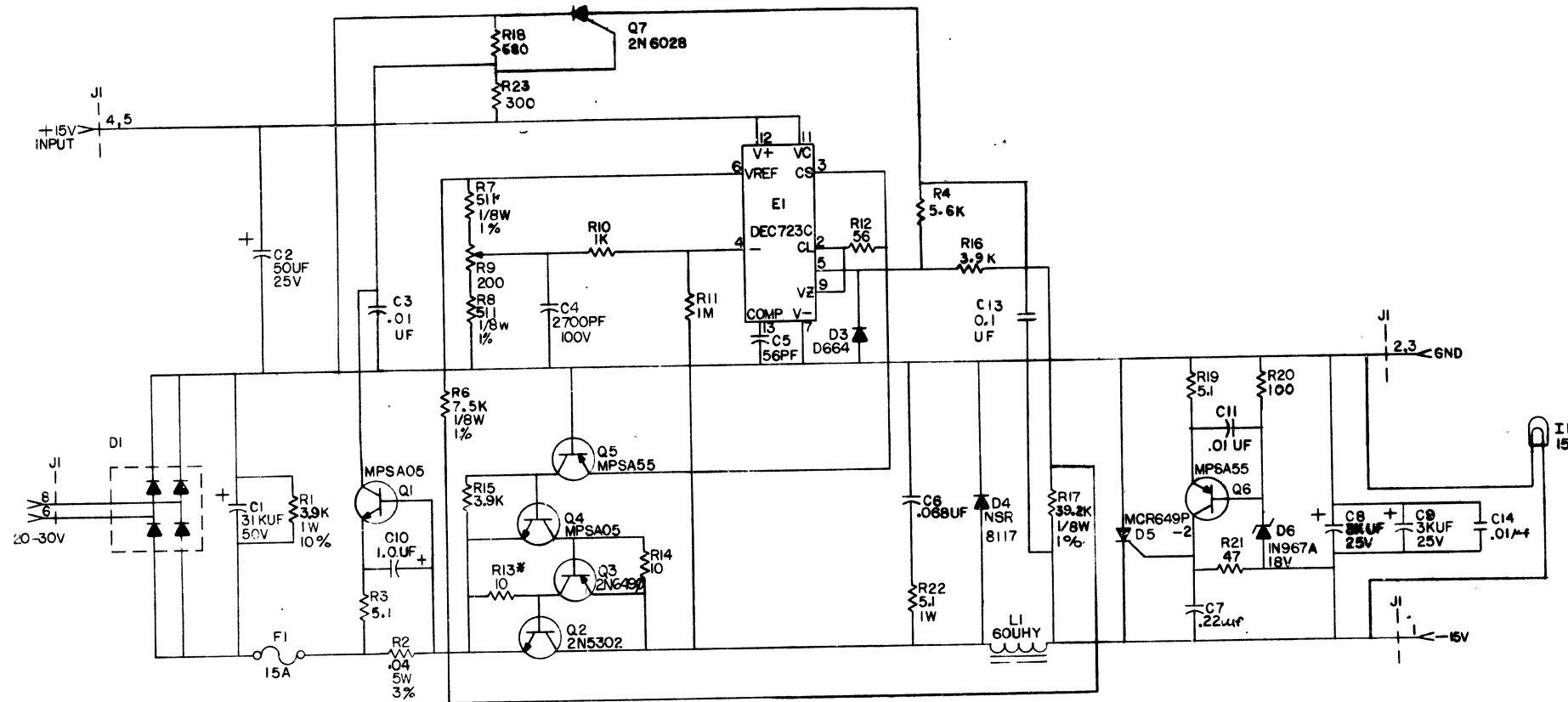
QTY	REF DESIGNATION	DESCRIPTION	PART NO.	ITEM NO.
PARTS LIST				
ETCH BOARD REV F H				
	IN964A	SAME	MPSA55	
	D664	IN3606	2N5302	
	MCR649P-2		D45H8	
	IN751A	SAME	MPSA05	
	IN4744	SAME		
	NSR8117			
	2N6028			
DEC NO.		EIA NO.		
SEMICONDUCTOR CONVERSION CHART				
SCALE		DIST.		

Digital EQUIPMENT CORPORATION
 MAYNARD, MASSACHUSETTS

TITLE
 5V REGULATOR

SIZE CODE DCS NUMBER H744-0-1 REV. 3 Y

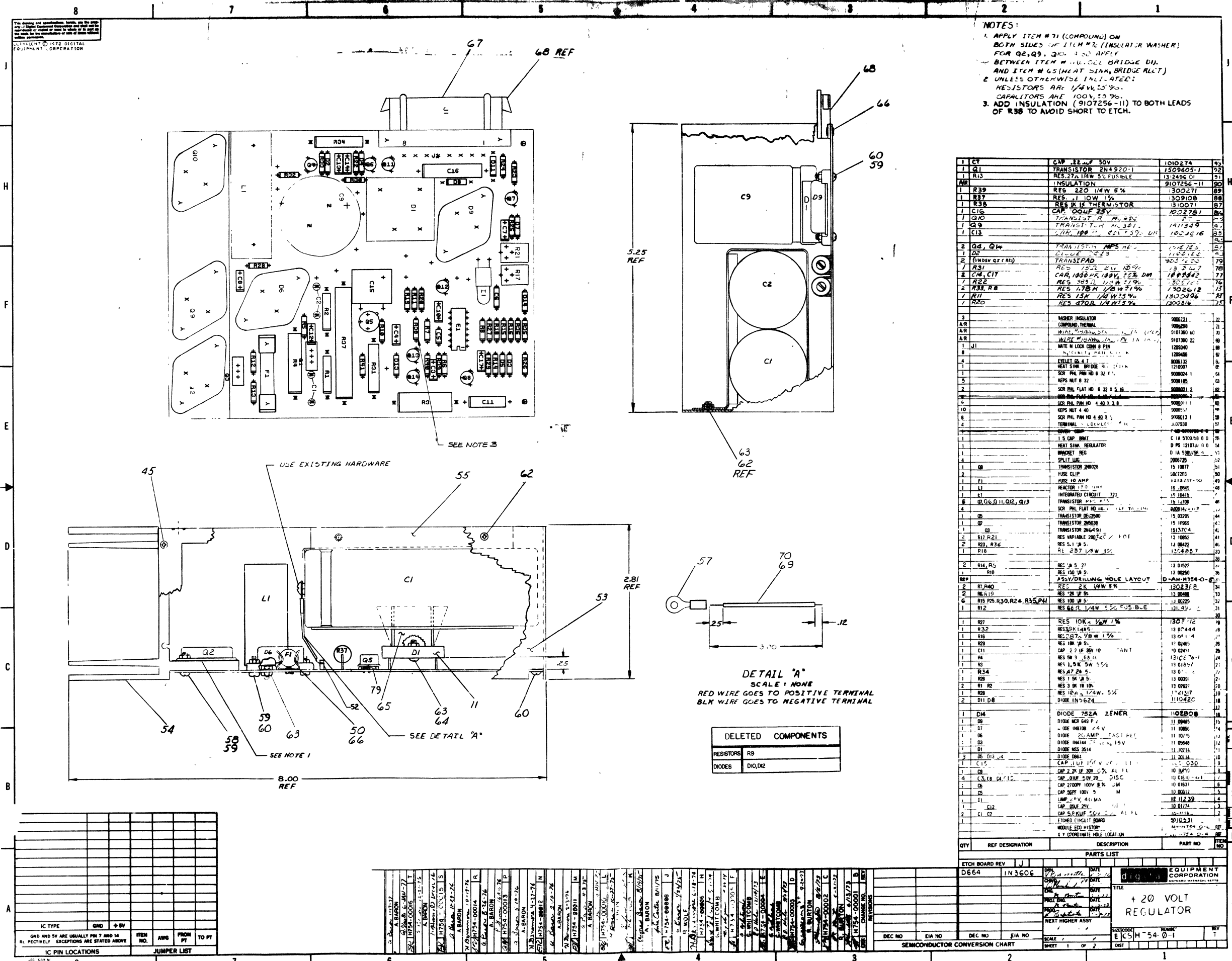
This drawing and specifications, herein, are the property of Digital Equipment Corporation and shall not be reproduced or copied or used in whole or in part as the basis for the manufacture or sale of items without written permission. COPYRIGHT © 1974
DIGITAL EQUIP. CORP. MAYNARD, MASS.



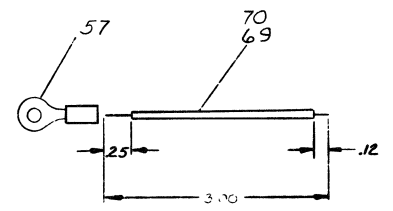
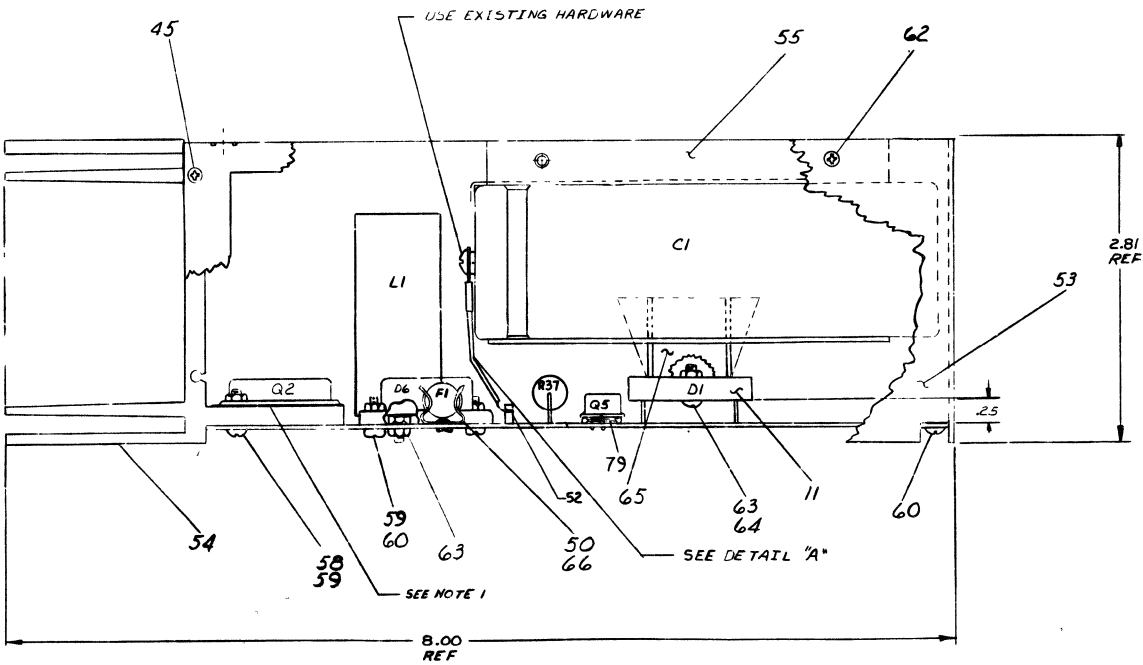
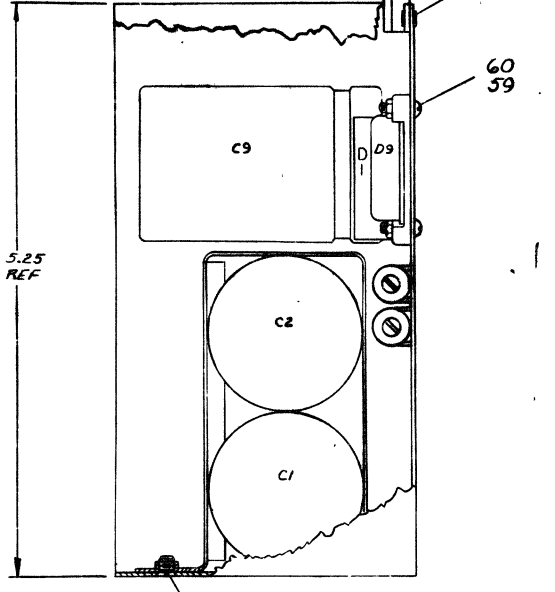
* FUSIBLE
UNLESS OTHERWISE INDICATED:
RESISTORS = 1/4W, 5%

QTY	REF DESIGNATION	DESCRIPTION	PART NO	ITEM NO
PARTS LIST				
	ETCH BOARD REV	E		
	D664	IN 3606	D45H8	
	NSR 8117		2N 6028	
	MCR 649P - 2			
	IN 967A	SAME		
	2N 5302			
	MPS A05			
	MPS A55			
	DEC NO.	EIA NO.	DEC NO.	EIA NO.
SEMICONDUCTOR CONVERSION CHART				
DRN. <i>FEUER</i>		DATE	11-4-71	
CHKD. <i>MOORE</i>		DATE	1-9-71	
ENGR. <i>...</i>		DATE	1/1/72	
PROJ. <i>...</i>		DATE	1/1/72	
PRG. <i>...</i>		DATE	1/13/72	
NEXT HIGHER ASSY				
SCALE		SIZE CODE	NUMBER	REV.
SHEET 1 OF 1		D CS	H745-0-1	Z
DIST.				

SIZE CODE NUMBER
D|CS H745-0-1-Z



NOTES:
 1. APPLY ITEM #71 (COMPOUND) ON BOTH SIDES OF ITEM #72 (INSULATOR WASHER) FOR Q2, Q3. Q10. ALSO APPLY BETWEEN ITEM #4 (GOLD BRIDGE DI.) AND ITEM #65 (HEAT SINK BRIDGE RECT).
 2. UNLESS OTHERWISE INDICATED: RESISTORS ARE 1/4W, 5%. CAPACITORS ARE 100V, 5%.
 3. ADD INSULATION (9107256-11) TO BOTH LEADS OF R38 TO AVOID SHORT TO ETCH.



DETAIL 'A'
 SCALE: NONE
 RED WIRE GOES TO POSITIVE TERMINAL
 BLK WIRE GOES TO NEGATIVE TERMINAL

DELETED COMPONENTS	
RESISTORS	R9
DIODES	D10, D2

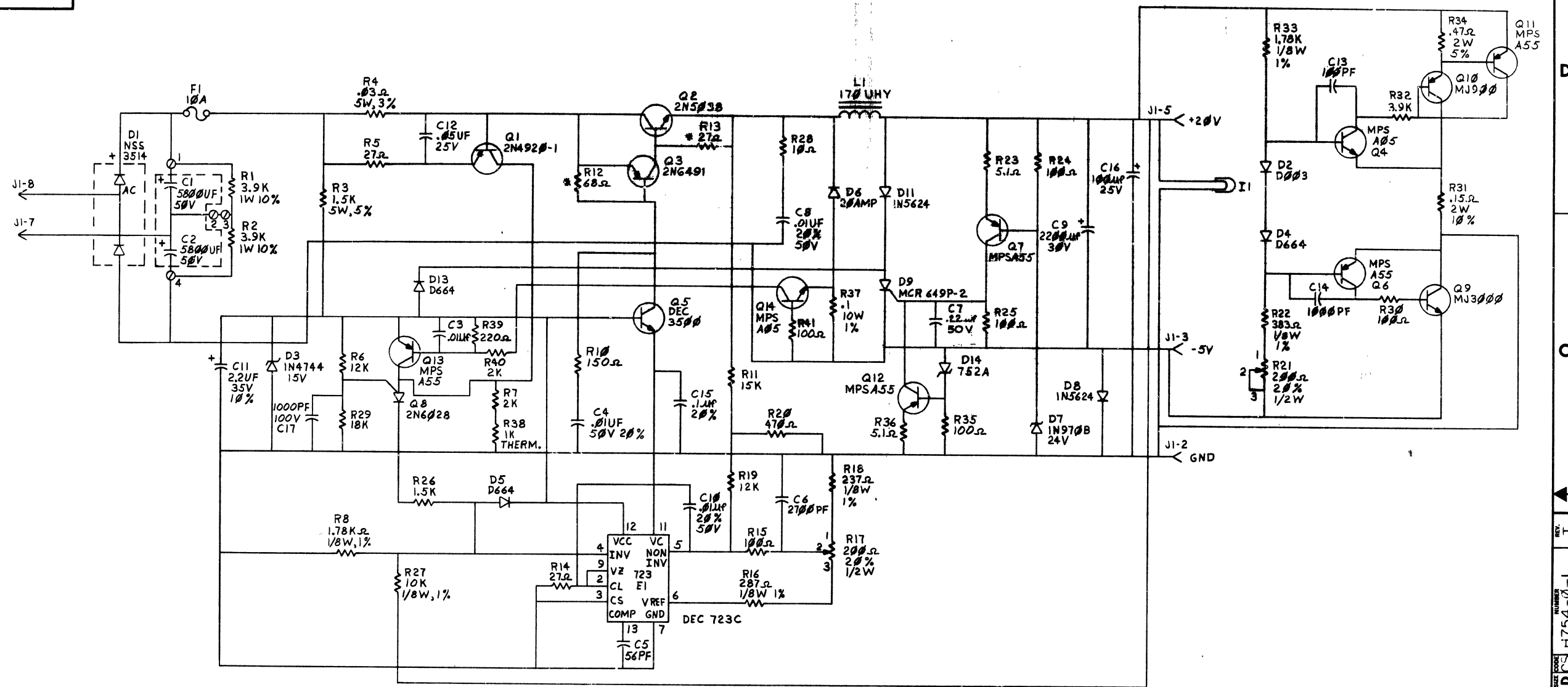
QTY	REF DESIGNATION	DESCRIPTION	PART NO	ITEM NO
1	Q1	TRANSISTOR 2N4920-1	1509405-1	92
1	R13	RES 27K 1/4W 5% FUSIBLE	132486 01	91
1	R38	RES 220 1/4W 5%	1300271-11	90
1	R39	RES .1 10W 5%	130910B	88
1	R36	RES 1K 1/2W 5% THERMISTOR	130071	87
1	C16	CAP .001UF 25V	1002781	86
1	Q2	TRANSISTOR 2N4920	1509405-1	85
1	Q3	TRANSISTOR 2N4920	1509405-1	84
1	C13	CAP 100UF 50V 5% AL PL	1002816	83
2	Q4, Q5	TRANSISTOR MPS 42	1506125	81
1	D6	DIODE 1N4001	1102112	80
2	(BRIDGE Q2, Q3)	TRANSISTOR	9037255	79
1	R32	RES 5.1K 1/4W 5%	1300271-11	78
2	C6, C7	CAP 100UF 50V 5% AL PL	1002816	77
1	R22	RES 300K 1/4W 5%	1302705	76
2	R3, R8	RES 170K 1/4W 5%	1302612	75
1	R11	RES 13K 1/4W 5%	1300496	74
1	R20	RES 470K 1/4W 5%	1300816	73
3		WASHER INSULATOR	9008221	72
A/R		COMPOUND THERMAL	9008221	71
A/R		WIRE 22AWG 27/7	9107360 40	70
A/R		WIRE 22AWG 27/7	9107360 22	69
1	J1	WIRE LOCK CONN 8 PIN	1208340	68
8		HEAT SINK BRIDGE RECT	1208408	67
4		HEAT SINK BRIDGE RECT	9008221	66
1		SCR PHL PIN NO 8 32 X 1/2	9008221	65
5		NEPS NUT 8 32	9008185	64
2		SCR PHL FLAT NO 8 32 X 5 16	9008221	63
2		SCR PHL FLAT NO 8 32 X 5 16	9008221	62
10		SCR PHL PIN NO 4 40 X 3.8	9008111	61
10		NEPS NUT 4 40	9008111	60
6		SCR PHL PIN NO 4 40 X 3.8	9008111	59
4		TERMINAL LOCKWELD	107830	58
1		COVER CAP	1000000-0-0	57
1		1.5 CAP BRKT	C 1A 5309758 0 0	56
1		HEAT SINK REGULATOR	D 1A 1210721 0 0	55
1		DIODE 1N4001	D 1A 5309758 1	54
1		SPLIT LUG	2008725	53
1	Q8	TRANSISTOR 2N4920	15 10877	52
2		FUSE CLIP	5072703	51
1	F1	FUSE 1/2 AMP	1213237-70	50
1	L1	INDUCTOR 100UH	15 10849	49
1		INTERMATED CIRCUIT 722	15 10845	48
6	Q1, Q6, Q11, Q12, Q13	TRANSISTOR MPS 42	15 10878	47
4		SCR PHL FLAT NO 8 32 X 5 16	9008221	46
1	Q5	TRANSISTOR 2N4920	15 03205	45
1	Q7	TRANSISTOR 2N4920	15 10889	44
1	Q9	TRANSISTOR 2N4920	15 10889	43
1	R12, R21	RES 150K 1/4W 5%	13 10882	42
2	R23, R36	RES 5.1K 5%	14 08422	41
1	R18	RES 207 1/4W 5%	13 04857	40
2	R14, R5	RES 1K 5%	13 01527	39
1	R10	RES 150 5%	13 00290	38
REF		ASSY DRILLING HOLE LAYOUT	D-444-4754-0-0	37
2	R1, R40	RES 2K 1/4W 5%	13 02318	36
2	R6, R9	RES 2K 5%	13 00488	35
6	R15, R19, R30, R24, R35, R41	RES 100 5%	13 00229	34
1	R12	RES 68K 1/4W 5% FUSIBLE	13149	33
1	R7	RES 10K 1/4W 5%	13 03742	32
1	R32	RES 3K 1/4W 5%	13 04444	31
1	R16	RES 207 1/4W 5%	13 04114	30
1	R29	RES 10K 5%	13 02485	29
1	C11	CAP 2.2UF 50V 5% AL PL	10 02411	28
1	R4	RES 5K 1/2W 5%	13 02707	27
1	R8	RES 1.5K 1/4W 5%	13 01857	26
1	R34	RES 47K 2W 5%	13 01245	25
1	R28	RES 1.5K 1/2W 5%	13 00381	24
2	R1, R2	RES 30K 1/2W 5%	13 00221	23
1	R28	RES 10K 1/4W 5%	13 01317	22
2	D11, D8	DIODE 1N5624	11 10420	21
1	D14	DIODE 252A ZENER	11 02800	20
1	D9	DIODE MCR 649 P	11 09405	19
1	D7	DIODE 1N4001 4AV	11 10806	18
1	D6	DIODE 2C AMP - FAST REC	11 10115	17
1	D3	DIODE 1N4747 15V 15V	11 05848	16
1	D1	DIODE M55 2514	11 10214	15
1	C15	CAP 100UF 50V 5% AL PL	11 00230	14
1	C8	CAP 2.2UF 30V 5% AL PL	10 10450	13
4	C3, C6, C12	CAP 500UF 50V 5% DISC	10 01610	12
1	C5	CAP 2700PF 100V 5% JM	10 01837	11
1	C2	CAP 50PF 100V 5% M	10 00017	10
1	I1	CAP 25V 410MA	10 11232	9
1	C12	CAP 100UF 50V 5% AL PL	10 01610	8
2	C1, C7	CAP 50KUF 50V 5% AL PL	10 02258	7
1		ETCHED CIRCUIT BOARD	5010231	6
1		MODULE ECO HISTORY	MIL-H 754-0-1	5
1		X Y COORDINATE HOLE LOCATION	MIL-H 754-0-1	4

PARTS LIST		ETCH BOARD REV		DATE		EQUIPMENT CORPORATION	
QTY	REF DESIGNATION	DESCRIPTION	PART NO	REV	DATE	TITLE	REV
6664	IN306					+ 20 VOLT REGULATOR	
DEC NO	EIA NO	DEC NO	EIA NO	SCALE	SHEET	REV	T
				1 OF 2			

IC TYPE		GND		+5V	
IC NO.	ITEM NO.	ANG	FROM PT	TO PT	

IC NO.	ITEM NO.	ANG	FROM PT	TO PT
1				
2				
3				
4				
5				
6				
7				
8				
9				
10				
11				
12				
13				
14				
15				
16				
17				
18				
19				
20				
21				
22				
23				
24				
25				
26				
27				
28				
29				
30				
31				
32				
33				
34				
35				
36				
37				
38				
39				
40				
41				
42				
43				
44				
45				
46				
47				
48				
49				
50				
51				
52				
53				
54				
55				
56				
57				
58				
59				
60				
61				
62				
63				
64				
65				
66				
67				
68				
69				
70				
71				
72				
73				
74				
75				
76				
77				
78				
79				
80				
81				
82				
83				
84				
85				
86				
87				
88				
89				
90				
91				
92				
93				
94				
95				
96				
97				
98				
99				
100				

"THIS DRAWING AND SPECIFICATIONS, HEREIN, ARE THE PROPERTY OF DIGITAL EQUIPMENT CORPORATION AND SHALL NOT BE REPRODUCED OR COPIED OR USED IN WHOLE OR IN PART AS THE BASIS FOR THE MANUFACTURE OR SALE OF ITEMS WITHOUT WRITTEN PERMISSION. COPYRIGHT © 1972, DIGITAL EQUIPMENT CORPORATION"

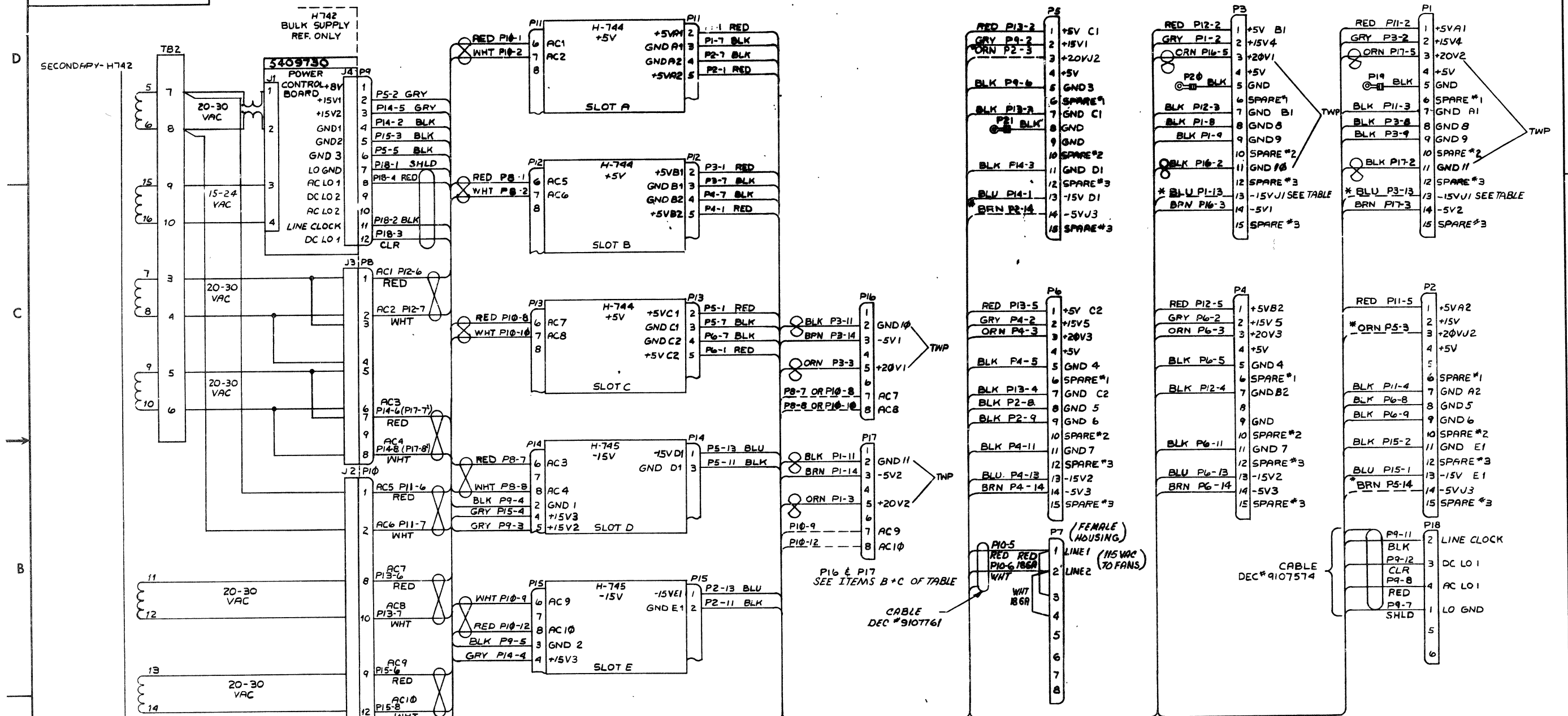


* FUSIBLE RESISTOR

REV.	
CHANGE NO.	
CHK	

DRN. BESONNETTE 8-29-72	FIRST USED ON H754	digital
CHK'D R. VOWLES 12-17-72		
ENG. R. BURTON 5-7-73	TITLE	
PROJ. ENG. R. BURTON 5-7-73	+20 VOLT REGULATOR	
PROD. L. BAPTISTE 5-9-73		
NEXT HIGHER ASBY.	SIZE CODE	NUMBER
SCALE	D CS	H754-0-1
SHEET 2 OF 2	DIST.	REV. T

"THIS DRAWING AND SPECIFICATIONS, HEREIN, ARE THE PROPERTY OF DIGITAL EQUIPMENT CORPORATION AND SHALL NOT BE REPRODUCED OR COPIED OR USED IN WHOLE OR IN PART AS THE BASIS FOR THE MANUFACTURE OR SALE OF ITEMS WITHOUT WRITTEN PERMISSION OF DIGITAL EQUIPMENT CORPORATION" COPYRIGHT © 1973



NOTES: 1. ALL WIRES ARE 14 AWG UNLESS OTHERWISE SPECIFIED.
 2. TO DETERMINE POWER SUPPLY CONFIGURATION REQUIREMENTS, REFER TO TABLE BELOW.
 WARNING: TABLE MUST BE FOLLOWED TO PREVENT REGULATOR DAMAGE.

MEMORY	REGULATORS	JUMPERS	WHEN REMOVING JUMPERS, REMOVE MALE PINS AT EACH END AND COVER WITH SHRINK TUBING. FOLD THE WIRE BACK AT LEAST AN INCH AND THEN TIE WRAP IT TO THE HARNESS.
	SLOT D	SLOT E	FROM TO
A	H745	H745	P1-13 P3-13 P2-3 P5-3 P2-14 P5-14
B	H745	H754	P1-13 P3-13 IN P2-3 P5-3 IN P2-14 P5-14 IN
C	H754	H754	P1-13 P3-13 P2-3 P5-3 P2-14 P5-14

3. CAUTION: IF 2 H754 REGULATORS ARE INSTALLED THERE IS NO -15V. AVAILABLE FOR OPTIONS THAT MAY REQUIRE IT.

FIRST USED ON OPTION/MODEL	QTY.	DESCRIPTION	PART NO.	ITEM NO.
H960-D/E		PARTS LIST		
UNLESS OTHERWISE SPECIFIED DIMENSION IN INCHES				
TOLERANCES				
DECIMALS	ANGLES	DATE 7-19-73		
.XXX = .005	±0° 30'	DATE 8-2-73		
.XX = .02		DATE 8-2-73		
.X = .1		DATE 8-2-73		
REMOVE BURRS AND BREAK SHARP CORNERS SURFACE QUALITY Y				
MATERIAL				
NEXT HIGHER ASSY.				
FINISH				
SCALE NONE				
SHEET OF 1				

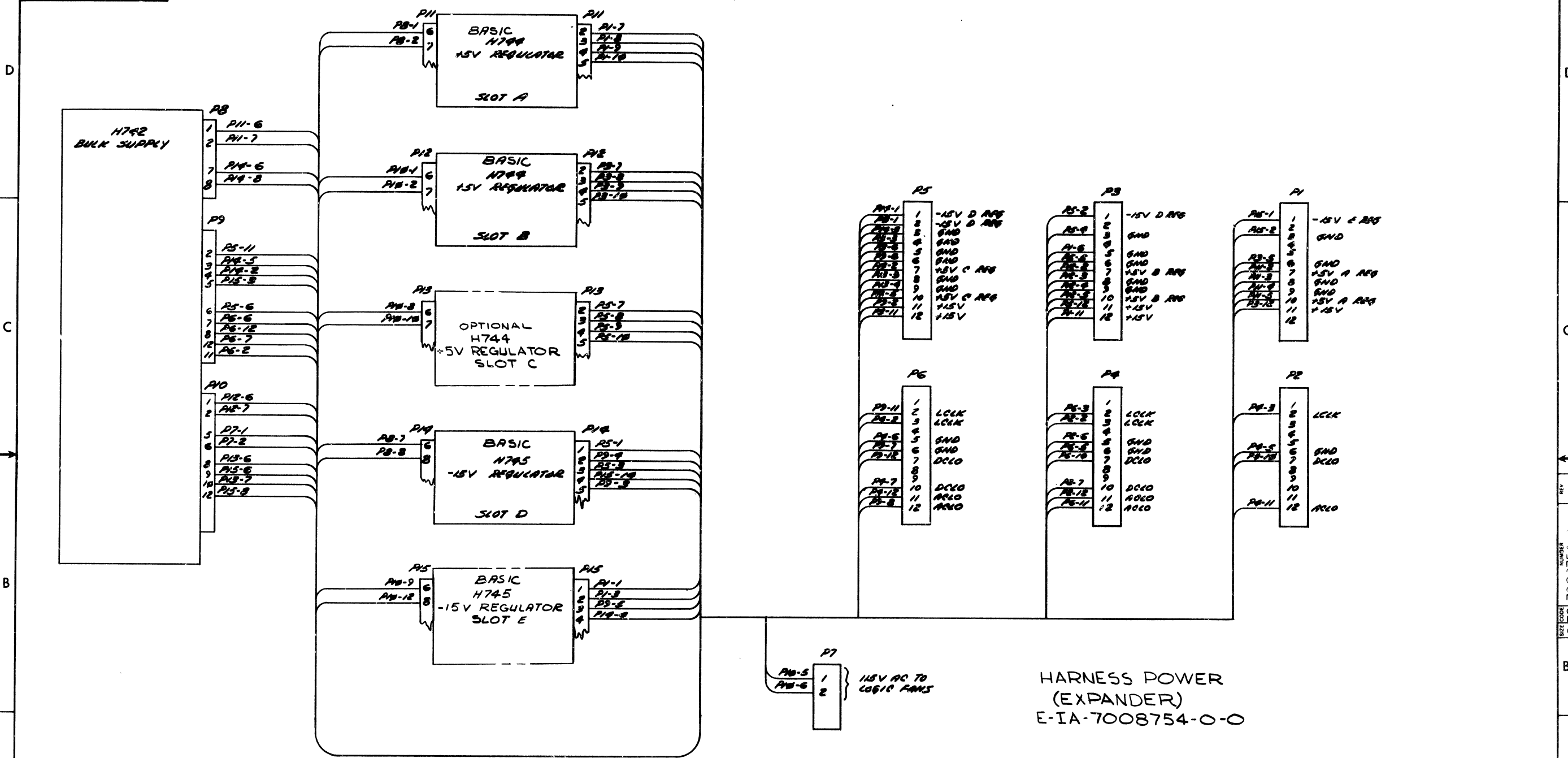
digital EQUIPMENT CORPORATION
 MATTAPOISETT, MASSACHUSETTS

21" BOX
 POWER HARNESS

D I C 7009566-0-1 D

REV.	CHANGE NO.	BY	DATE
1	7009566-00001	A	11-11-71
2	7009566-00002	B	11-11-71
3	7009566-00003	B	11-11-71
4	7009566-00004	B	11-11-71
5	7009566-00005	D	11-11-71
6	7009566-00006	B	11-11-71
7	7009566-00007	B	11-11-71
8	7009566-00008	B	11-11-71
9	7009566-00009	B	11-11-71
10	7009566-00010	B	11-11-71
11	7009566-00011	B	11-11-71
12	7009566-00012	B	11-11-71
13	7009566-00013	B	11-11-71
14	7009566-00014	B	11-11-71
15	7009566-00015	B	11-11-71

This drawing and specifications, herein, are the property of Digital Equipment Corporation and shall not be reproduced or copied or used in whole or in part as the basis for the manufacture or sale of items without written permission. © 1973



HARNESS POWER (EXPANDER) E-IA-7008754-0-0

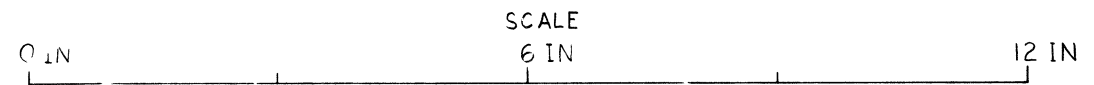
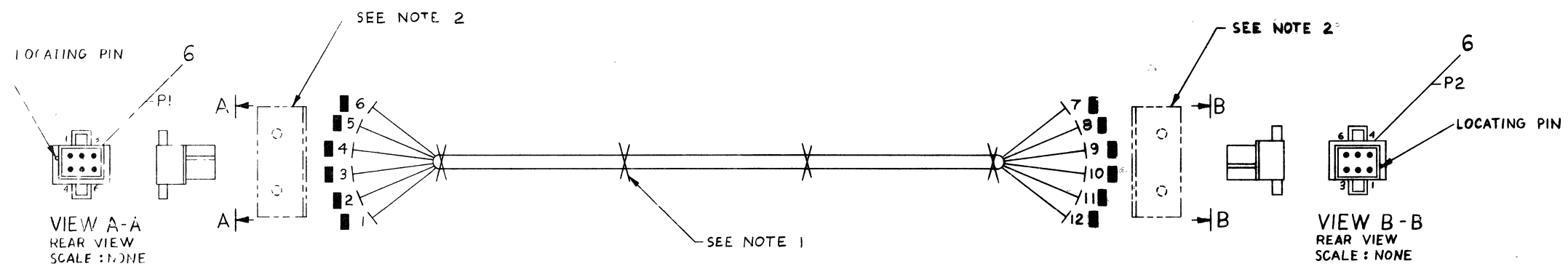
OLD STYLE HARNESS FOR SYSTEMS WITH SERIAL NUMBERS 5999 AND LOWER

REV	CHG	NO
1	1/40-00010	INITIATED

FIRST USED ON OPTION/MODEL 11/40	QTY.	DESCRIPTION	PART NO	ITEM NO
PARTS LIST				
UNLESS OTHERWISE SPECIFIED DIMENSION IN INCHES. TOLERANCES	DRN CHK'D ENG PROD	DATE DATE DATE DATE	digital EQUIPMENT CORPORATION MAYNARD MASSACHUSETTS	
DECIMALS .XXX - .005 .XX - .02 X - 1	ANGLES ±0° 30'	TITLE POWER HARNESS	SIZE CODE NUMBER REV D I C 7008754-0-3	
MATERIAL	NEXT HIGHER ASSY.	SCALE	SHEET 1 OF 1	
FINISH		DIST		

WIRE TABLE											
ITEM NO.	DESCRIPTION			FROM			TO			SIGNAL	LENGTH
	AWG	COLOR	POINT	CONNECTION	TERM	POINT	CONNECTION	TERM			
1	18	WHT	1	P1-6	7	7	P2-6	7		SPARE-2	12 IN
1	↑	WHT	2	P1-5	↑	8	P2-5	↑		SPARE-1	↑
3	↑	YEL	3	P1-4	↑	9	P2-4	↑		AC LO	↑
2	↑	VIO	4	P1-3	↑	10	P2-3	↑		DC LO	↑
4	↓	BRN	5	P1-2	↓	11	P2-2	↓		LINE CLOCK	↓
5	18	BLK	6	P1-1	7	12	P2-1	7		LO GND	12 IN

- NOTES:
1. USE TIE WRAPS ITEM 8 APPROXIMATELY EVERY THREE (3) INCHES WHEN NECESSARY AND AT EVERY BREAKOUT POINT.
 2. USE CONN. BRKT, C-MD-9305761-H6-0. MOUNT WITH WOOD SCREWS. USE MATING CONN. 1209350-06.



DO NOT REDUCE
DO NOT BUILD FROM REDUCED PRINT

CAUTION - DRAWING SIZE AND SCALE REDUCED FOR MICROFILM NOT TO BE USED FOR PRODUCTION

QTY.	DESCRIPTION	PART NO.	ITEM NO.
4	WRAP, TIE	9007031	8
12	PIN, MALE	1209378-00	7
2	HOUSING, CONN. 6 PIN	1209351-06	6
12 IN	WIRE #18 AWG	BLK 9107360-00	5
12 IN	WIRE #18 AWG	BRN 9107360-11	4
12 IN	WIRE #18 AWG	YEL 9107360-44	3
12 IN	WIRE #18 AWG	VIO 9107360-77	2
24 IN	WIRE #18 AWG	WHT 9107360-99	1

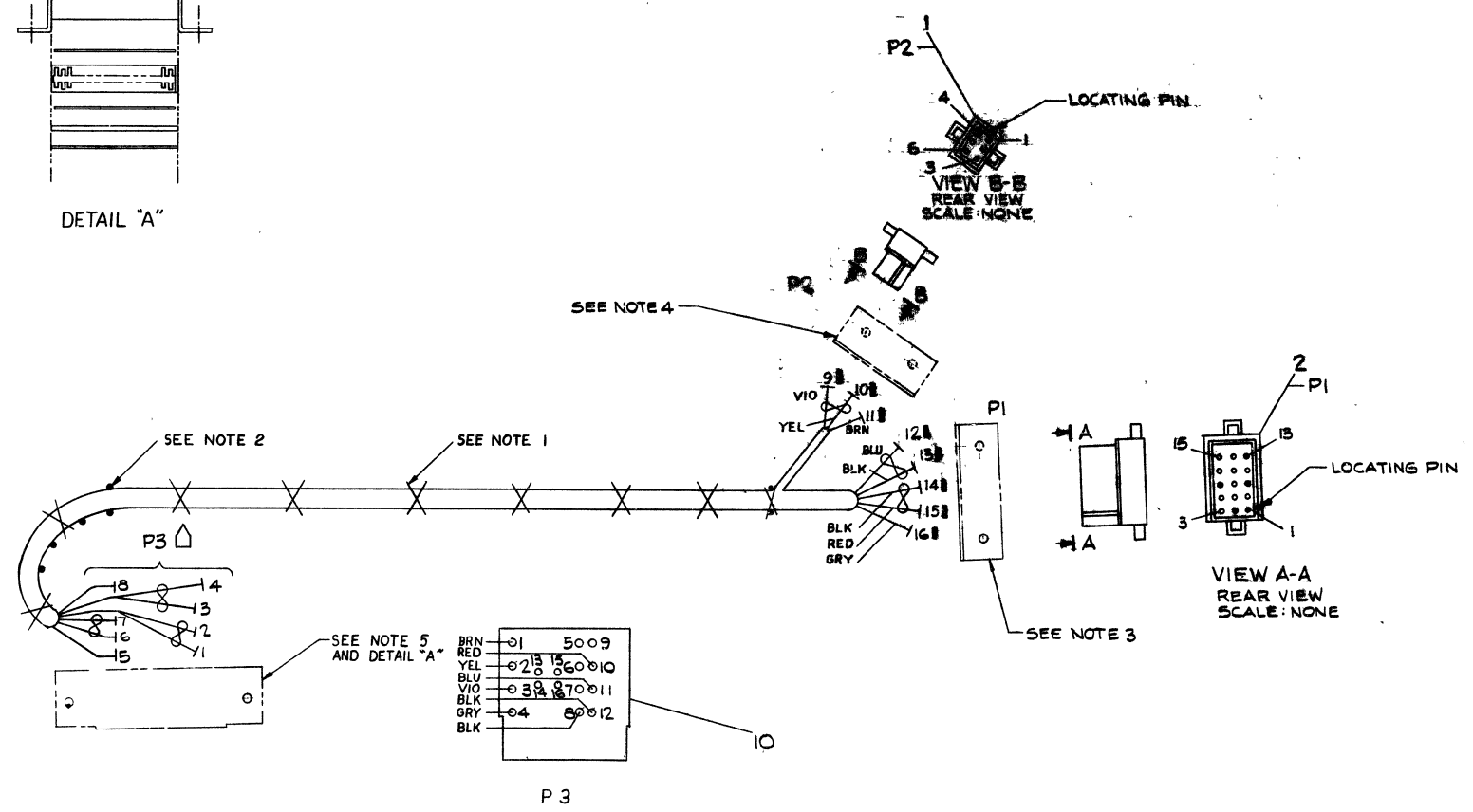
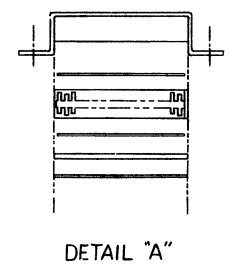
FIRST USED ON OPT/MOD	SYM	QTY.	DESCRIPTION	PART NO.	ITEM NO.
PARTS LIST					
UNLESS OTHERWISE SPECIFIED DIMENSION IN INCHES	DRN. 10/15/73	DATE 10/15/73	digital EQUIPMENT CORPORATION		
TOLERANCES	CHK'D. 10/17/73	DATE 10/17/73			
DECIMALS .005	ENG. 10/18/73	DATE 10/18/73	TITLE 6 PIN JUMPER HARNESS		
ANGLES ±0° 30'	PROJ. ENG. 10/18/73	DATE 10/18/73			
REMOVE BURRS AND BREAK SHARP CORNERS SURFACE QUALITY Y	PROD. 10/18/73	DATE 10/18/73	MATERIAL		
SEE PARTS LIST	NEXT HIGHER ASSY.		SIZE CODE	NUMBER	REV
FINISH	SCALE	SHEET	DIA	7009573-0-0	

REV	NO.
CHK	

DIA 7009573-0-0

WIRE TABLE									
ITEM NO.	DESCRIPTION	COLOR	POINT	CONNECTION	TERM	POINT	CONNECTION	TERM	SIGNAL
5	14	RED	3	P3-10	SOLD	15	P1-1	3	+5V
	TWP	BLK	4	P3-8	SOLD	14	P1-7	3	GND
9	14	GRY	5	P3-4	SOLD	16	P1-2	3	+15V
6	14	BLK	1	P3-12	SOLD	13	P1-9	3	GND
	TWP	BLU	2	P3-11	SOLD	12	P1-13	3	-15V
8	18	BRN	8	P3-1	SOLD	11	P2-2	3	LTc
7	18	VIO	6	P3-3	SOLD	9	P2-3	3	DcLo
	TWP	YEL	7	P3-2	SOLD	10	P2-4	3	AcLo
11	22	-	-	P3-13	SOLD	-	P3-14	SOLD	DcLo
11	22	-	-	P3-15	SOLD	-	P3-16	SOLD	AcLo

- NOTES:**
- USE TIE WRAPS (X) ITEM #4 APPROXIMATELY EVERY THREE (3) INCHES WHEN NECESSARY AND AT EVERY BREAKOUT POINT.
 - DOT (•) INDICATES NAIL LOCATIONS FOR ASSEMBLY USE ONLY. COVER NAILS WITH SHRINK TUBING TO PREVENT CUTTING HARNESS.
 - USE CONN BRKT C-MD-930576-H6-0 MOUNT WITH WOOD SCREWS. USE MATING CONN 1209350-15.
 - USE CONN BRKT C-MD-930576-H6-0 MOUNT WITH WOOD SCREWS. USE MATING CONN 1209350-06.
 - USE CONN. HOLD DOWN B-MD-930576-0-0 WITH PLATE B-MD-930576-0-1. USE TAPE DEC #9008734 & CONN HB07 DEC # (1209123) REMOVE PINS & FLANGES AS SHOWN IN DETAIL "A". MOUNT WITH WOOD SCREWS.



0 IN. SCALE 6 IN. 12 IN.

DO NOT REDUCE
DO NOT BUILD FROM REDUCED PRINT

CAUTION - DRAWING SIZE AND SCALE REDUCED FOR MICROFILM NOT TO BE USED FOR PRODUCTION

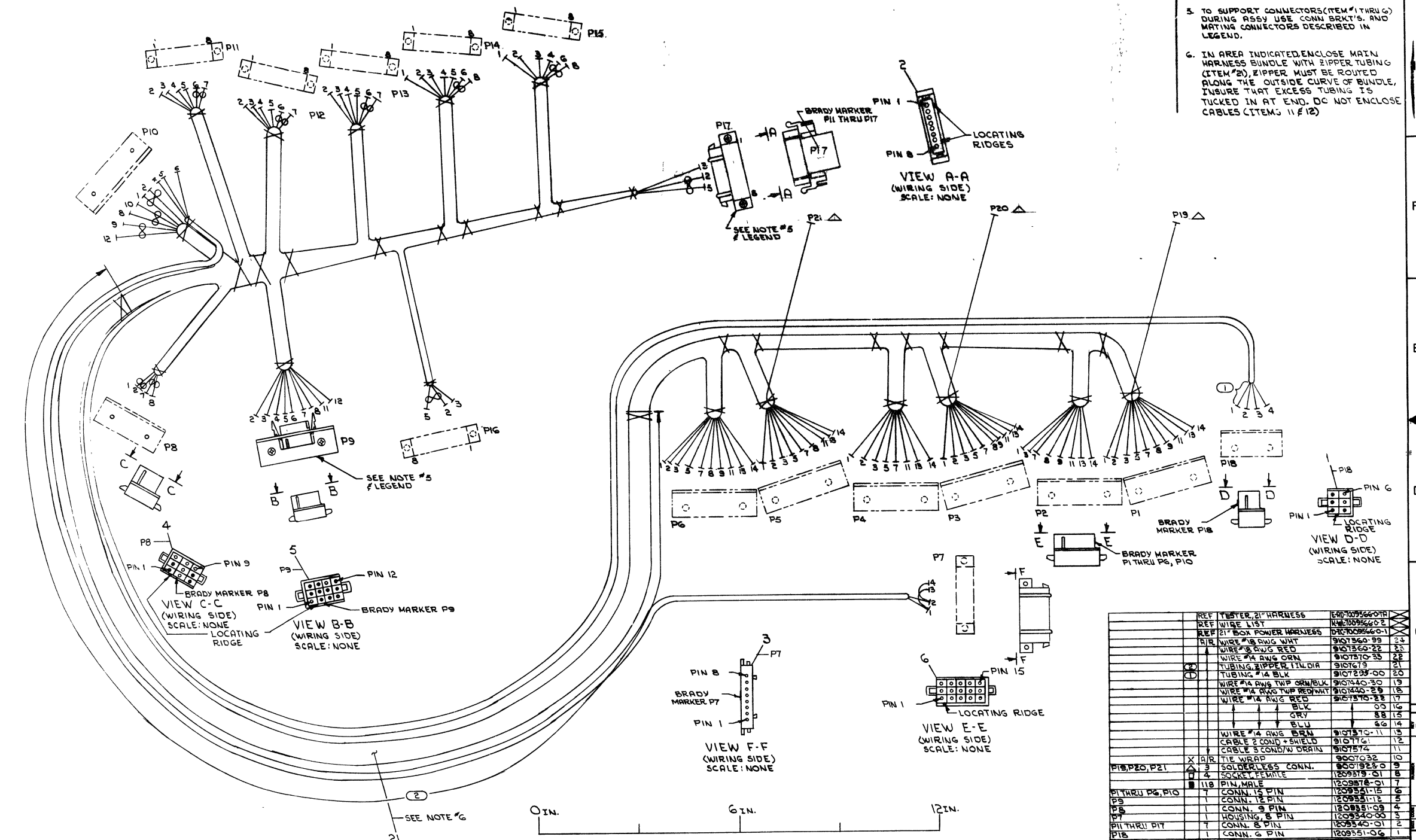
SYM	QTY.	DESCRIPTION	PART NO.	REV.
		A/R BUSS WIRE #22AWG	9107560-01	11
		1 POWER CONN	6772	10
		A/R WIRE #14AWG GRY	9107370-08	9
		A/R WIRE #18AWG BRN	9107360-11	8
		A/R WIRE #18TWP YEL/VIO	9107430-47	7
		A/R WIRE #14TWP BLK/BLU	9107440-06	6
		A/R WIRE #14TWP BLK/RED	9107440-02	5
X		A/R WRAP TIE	9007031	4
		5 PIN MALE	1209376-00	3
		1 HOUSING CONN. 5 PIN	1209351-15	2
		1 HOUSING CONN. 6 PIN	1209351-06	1

UNLESS OTHERWISE SPECIFIED DIMENSIONS IN INCHES		TOLERANCES	
DECIMALS	FRACTIONS	ANGLES	
.005 - .012	1/32 - 3/32	± .005	
MATERIAL		NEXT NUMBER AWAY	
SEE PARTS LIST		REVISION	
DRAWN		DATE	
CHECKED		DATE	
APPROVED		DATE	
TITLE		NUMBER	
G772 SYSTEM		7009562-0-0	
UNIT HARNESS		REV	
SCALE		SHEET	
1/1		1 OF 1	

DEC 1 FORM NO. 000
 DIGITAL EQUIP. CORP.

REF. DESIGNATION	SYMBOL	DESCRIPTION	PART NO.	QTY
PII THRU PIT	1	CONN. 6 PIN	1209540-01	2
PII THRU PIT	1	CONN. 6 PIN	1209540-01	2
PII THRU PIT	1	CONN. 6 PIN	1209540-01	2
PII THRU PIT	1	CONN. 6 PIN	1209540-01	2
PII THRU PIT	1	CONN. 6 PIN	1209540-01	2
PII THRU PIT	1	CONN. 6 PIN	1209540-01	2
PII THRU PIT	1	CONN. 6 PIN	1209540-01	2
PII THRU PIT	1	CONN. 6 PIN	1209540-01	2
PII THRU PIT	1	CONN. 6 PIN	1209540-01	2
PII THRU PIT	1	CONN. 6 PIN	1209540-01	2

- NOTES:**
- USE TIE WRAPS (ITEM #10) APPROXIMATELY EVERY THREE (3) INCHES WHEN NECESSARY, AND AT EVERY BREAKOUT POINT.
 - COMPONENTS TO BE LABELED WITH COMPONENT IDENTIFIER, USING BRADY MARKERS.
 - UNLESS OTHERWISE INDICATED PINS (ITEM #7) ARE TO BE USED AT ALL POINTS.
 - FOR POINT TO POINT WIRING REFER TO: D-1C7009566-0-1 & K-WL7009566-0-2.
 - TO SUPPORT CONNECTORS (ITEM #1 THRU #6) DURING ASSEMBLY USE CONN. BRKT'S. AND MATING CONNECTORS DESCRIBED IN LEGEND.
 - IN AREA INDICATED ENCLOSE MAIN HARNESS BUNDLE WITH ZIPPER TUBING (ITEM #2), ZIPPER MUST BE ROUTED ALONG THE OUTSIDE CURVE OF BUNDLE, INSURE THAT EXCESS TUBING IS TUCKED IN AT END. DO NOT ENCLOSE CABLES (ITEMS 11 & 12).



SCALE
 DO NOT REDUCE
 DO NOT BUILD FROM REDUCED PRINT

REF. DESIGNATION	SYMBOL	DESCRIPTION	PART NO.	QTY
REF. TESTER, 21" HARNESS			EIA 7009566-0-1	1
REF. WIRE LIST			EIA 7009566-0-2	1
REF. 21" BOX POWER HARNESS			D-1C7009566-0-1	1
WIRE #18 AWG WHT			9107560-33	24
WIRE #18 AWG RED			9107560-22	24
WIRE #14 AWG GRN			9107570-33	24
TUBING, ZIPPER, 1/4 DIA			9107675	21
TUBING #14 BLK			9107295-00	20
WIRE #14 AWG TWP ORN/BLK			9107440-30	19
WIRE #14 AWG TWP RED/WHT			9107440-39	19
WIRE #14 AWG RED			9107570-22	17
BLK			00	16
GRY			88	15
BLU			66	14
WIRE #14 AWG BRN			9107570-11	13
CABLE 2 COND + SHIELD			9107174	12
CABLE 3 COND + W DRAIN			9107574	10
TIE WRAP			9007032	10
SOLDERLESS CONN.			9007928-0	9
SOCKET, FEMALE			1209545-01	8
PIN, MALE			1209545-01	7
CONN. 15 PIN			1209545-15	6
CONN. 12 PIN			1209545-12	6
CONN. 9 PIN			1209545-09	4
HOUSING, 8 PIN			1209540-00	3
CONN. 8 PIN			1209540-01	2
CONN. 6 PIN			1209540-01	1

UNLESS OTHERWISE SPECIFIED DIMENSIONS IN INCHES TOLERANCES

DECIMALS ANGLES

XXX - .000 .001 .002 .003 .004 .005 .006 .007 .008 .009 .010 .015 .020 .025 .030 .035 .040 .045 .050 .055 .060 .065 .070 .075 .080 .085 .090 .095 .100 .105 .110 .115 .120 .125 .130 .135 .140 .145 .150 .155 .160 .165 .170 .175 .180 .185 .190 .195 .200 .205 .210 .215 .220 .225 .230 .235 .240 .245 .250 .255 .260 .265 .270 .275 .280 .285 .290 .295 .300 .305 .310 .315 .320 .325 .330 .335 .340 .345 .350 .355 .360 .365 .370 .375 .380 .385 .390 .395 .400 .405 .410 .415 .420 .425 .430 .435 .440 .445 .450 .455 .460 .465 .470 .475 .480 .485 .490 .495 .500 .505 .510 .515 .520 .525 .530 .535 .540 .545 .550 .555 .560 .565 .570 .575 .580 .585 .590 .595 .600 .605 .610 .615 .620 .625 .630 .635 .640 .645 .650 .655 .660 .665 .670 .675 .680 .685 .690 .695 .700 .705 .710 .715 .720 .725 .730 .735 .740 .745 .750 .755 .760 .765 .770 .775 .780 .785 .790 .795 .800 .805 .810 .815 .820 .825 .830 .835 .840 .845 .850 .855 .860 .865 .870 .875 .880 .885 .890 .895 .900 .905 .910 .915 .920 .925 .930 .935 .940 .945 .950 .955 .960 .965 .970 .975 .980 .985 .990 .995 .1000

PROVIDE BURRS AND BREAK SHARP CORNERS SURFACE QUALITY

MATERIAL NEXT NUMBER ANY.

SEE PARTS LIST

SCALE 1/2" = 1"

DATE

DESIGNED BY

CHECKED BY

APPROVED BY

EQUIPMENT CORPORATION

21" BOX POWER HARNESS

EIA 7009566-0-1

REV B