

digital

KGII-A
Engineering Drawings
Digital Equipment Corporation

The material herein is for information purposes only and is subject to change without notice. Digital Equipment Corporation assumes no responsibility for any errors which may appear herein.

These drawings and specifications herein are the property of Digital Equipment Corporation and shall not be reproduced or copied or used in whole or in part as the basis for the manufacture or sale of items without written permission.
Copyright © 1975, Digital Equipment Corporation

8
7
6
5
4
3
2
1

1-0-1922W
3
2

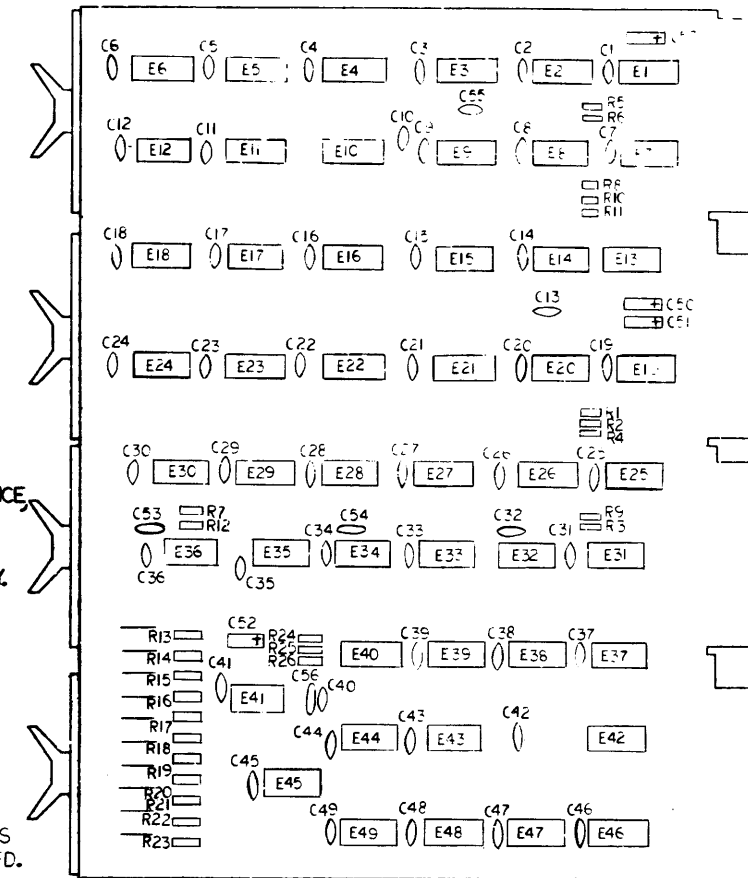
Dimensions and specifications herein are the property of Digital Equipment Corporation and shall not be reproduced or copied or used in whole or in part as the basis for the manufacture or sale of items without the permission of Digital Equipment Corporation.

PARTS REFERENCE

ITEM NO	DRAWING REFERENCE	DESCRIPTION	PART NUMBER	QUANTITY
1.	E1, E4, E14	IC DEC 74H50	1909060	3
2.	E2, E3, E14, E20, E30, E37, E38, E39, E44, E48	IC DEC 8640	19-11216-9	10
3.	E1, E4, E7, E15, E16, E21, E22, E27	IC DEC 8271	1909815	9
4.	E28	IC DEC 74H74	1909857	7
5.	E1, E7, E17, E18, E25, E26, E41	IC DEC 8881	1909705	7
6.	E40, E42, E49	IC DEC 8242	1909712	3
7.	E46, E47	IC DEC 8815	1909718	2
8.	E29	IC DEC 7416	1909828	1
9.	E5, E17, E22, E33	IC DEC 74H04	1909834	4
10.	S11	IC DEC 8266	1909834	1
11.	E12, E28	IC DEC 7428	910011	2
12.	E32	IC DEC 74197	510035	1
13.	E43	IC DEC 7402	1909004	1
14.	E18, E31, E42	IC DEC 74H00	1909056	3
15.	E35	IC DEC 74H00	1909057	1
16.	C53, C54	CAP 120PF 100V 5%	1000018	1
17.	C56	CAP 470PF 100V 5%	1000024	1
18.	C50, C52, C57	CAP 6.8MF 35V 20%	1000057	4
19.	C1 - C49, C55	CAP .01 MF 100V 20%	1001616	50
20.	R26	RES 100 1/4W 5%	1000228	1
21.	R7, R12	RES 220 1/4W 5%	1000271	1
22.	R6, R9	RES 330 1/4W 5%	1000284	6
23.	R13 - R25	RES 1K 1/4W 5%	1000164	14
24.	R1 - R5, R8, R10, R11	RES 750 1/4W 5%	130-401	8

COMPONENT PLACEMENT

PIN NOMENCLATURE

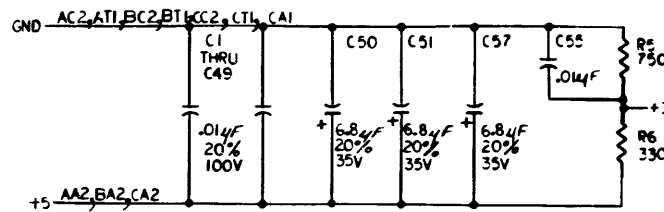


NOTES:

1. DETAILS ON COMPONENTS ARE NOTED IN THE PARTS REFERENCE. PLACEMENT IS NOTED IN THE COMPONENT PLACEMENT DIAGRAM.
2. GND AND +5V ARE USUALLY PIN 7 AND PIN 14, RESPECTIVELY. EXCEPTIONS ARE:

IC TYPE	GND	+5V
DEC 74H74	PIN 11	PIN 4
DEC 74H50	PIN 11	PIN 4
DEC 74H04	PIN 11	PIN 4
DEC 8271	PIN 8	PIN 16
DEC 8640	PIN 1	PIN 8

3. UNLESS OTHERWISE NOTED: RESISTANCE IS IN OHMS, CAPACITANCE IS IN PICO FARADS. CAPACITORS WITHOUT ANY NOTED VALUES ARE .01 MFD.
4. DEC 8640 REPLACES OBSOLETE DEC 380



REVISIONS

REV	CHANGE NO	DATE	BY	CHK
D	1	6/28/73	R. L. SEE	R. L. SEE
C	1	7/10/73	R. L. SEE	R. L. SEE
B	1	7/10/73	R. L. SEE	R. L. SEE
A	1	7/10/73	R. L. SEE	R. L. SEE

DEC FORM NO 100 102A

REV	QTY	DESCRIPTION	PART NO.	ITEM NO.
1		digital EQUIPMENT CORPORATION		
TITLE: X-CORNER CLOCK CHECK OPTION				
SCALE: SHEET 1 OF 4				
DISTR				

1. All dimensions and specifications herein are the property of Digital Equipment Corporation and shall not be used or copied in whole or in part as the basis for the manufacture or sale of items without written permission.

NOTES

1. FUNCTION (FUNCTION REG) DATA BITS

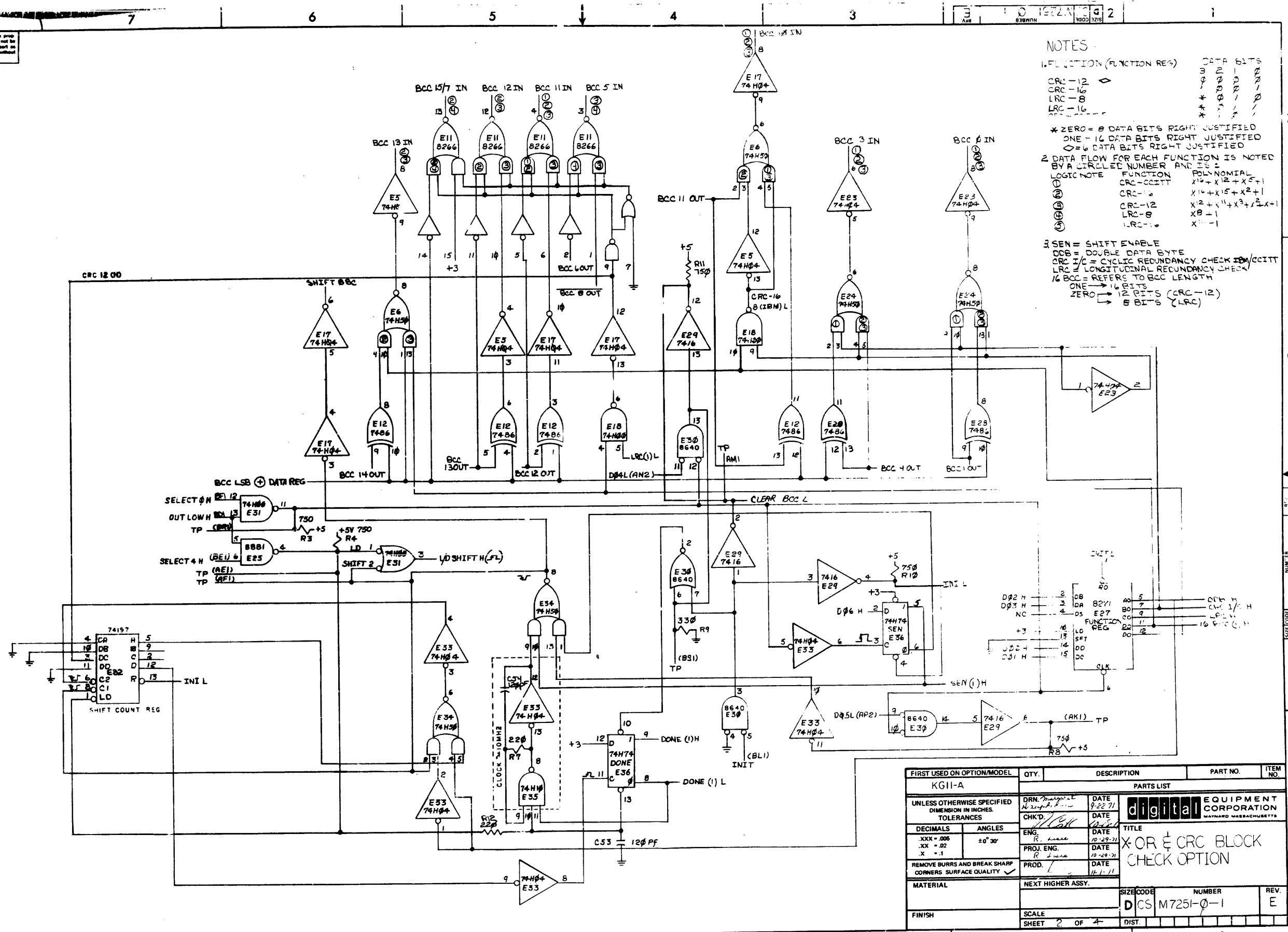
CRC-12	12
CRC-16	16
LRC-8	8
LRC-16	16

* ZERO = 8 DATA BITS RIGHT JUSTIFIED
 ONE = 16 DATA BITS RIGHT JUSTIFIED
 ○ = 6 DATA BITS RIGHT JUSTIFIED

2. DATA FLOW FOR EACH FUNCTION IS NOTED BY A CIRCLED NUMBER AND IS:

FUNCTION	POLYNOMIAL
CRC-CCITT	$X^{16} + X^{12} + X^5 + 1$
CRC-16	$X^{16} + X^{15} + X^2 + 1$
CRC-12	$X^{12} + X^{11} + X^3 + X^2 + 1$
LRC-8	$X^8 + 1$
LRC-16	$X^{16} + 1$

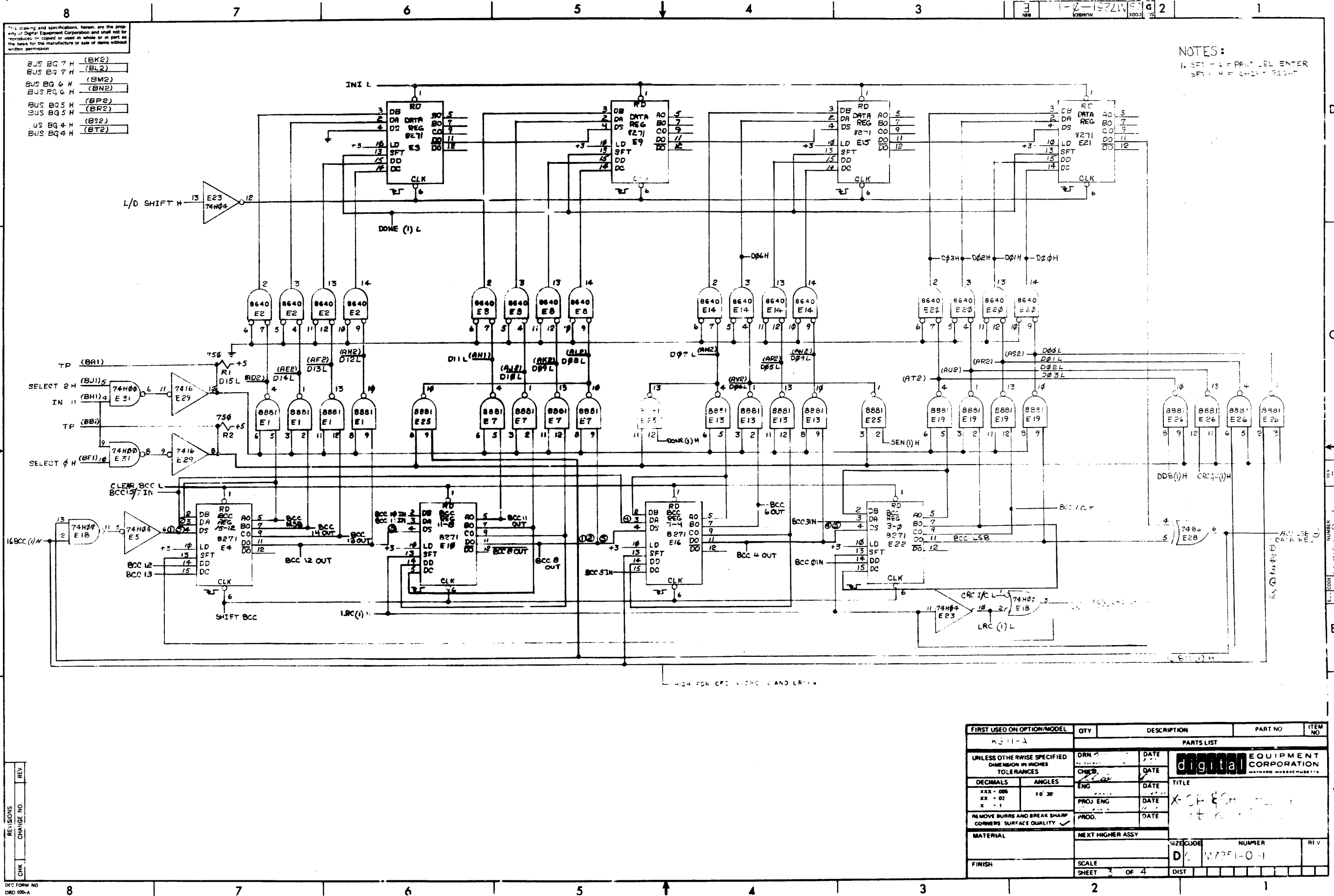
3. SEN = SHIFT ENABLE
 DDB = DOUBLE DATA BYTE
 CRC = CYCLIC REDUNDANCY CHECK (CCITT)
 LRC = LONGITUDINAL REDUNDANCY CHECK
 16 BCC = REFERS TO BCC LENGTH
 ONE → 16 BITS
 ZERO → 12 BITS (CRC-12)
 → 8 BITS (LRC)



FIRST USED ON OPTION/MODEL	QTY.	DESCRIPTION	PART NO.	ITEM NO.
KG11-A		PARTS LIST		
UNLESS OTHERWISE SPECIFIED DIMENSION IN INCHES TOLERANCES	DRN. <i>M. J. ...</i>	DATE 9-22-71	 digital EQUIPMENT CORPORATION <small>MAYNARD MASSACHUSETTS</small>	
DECIMALS	CHK'D. <i>R. J. ...</i>	DATE 10-29-71		
XXX = .006	ENG. <i>R. J. ...</i>	DATE 10-29-71		
.XX = .02	PROJ. ENG. <i>R. J. ...</i>	DATE 10-29-71		
X = .1	PROD. <i>T. ...</i>	DATE 11-1-71		
REMOVE BURRS AND BREAK SHARP CORNERS SURFACE QUALITY			TITLE X OR & CRC BLOCK CHECK OPTION	
MATERIAL	NEXT HIGHER ASSY.	SIZE CODE	NUMBER	REV.
FINISH	SCALE	D	M7251-0-1	E
	SHEET 2 OF 4	DIST.		

REVISIONS
 CHANGE NO.
 CHK

SIZE CODE
 NUMBER
 7251-0-1



This drawing and specifications, herein, are the property of Digital Equipment Corporation and shall not be reproduced or copied or used in whole or in part as the basis for the manufacture or sale of items without written permission.

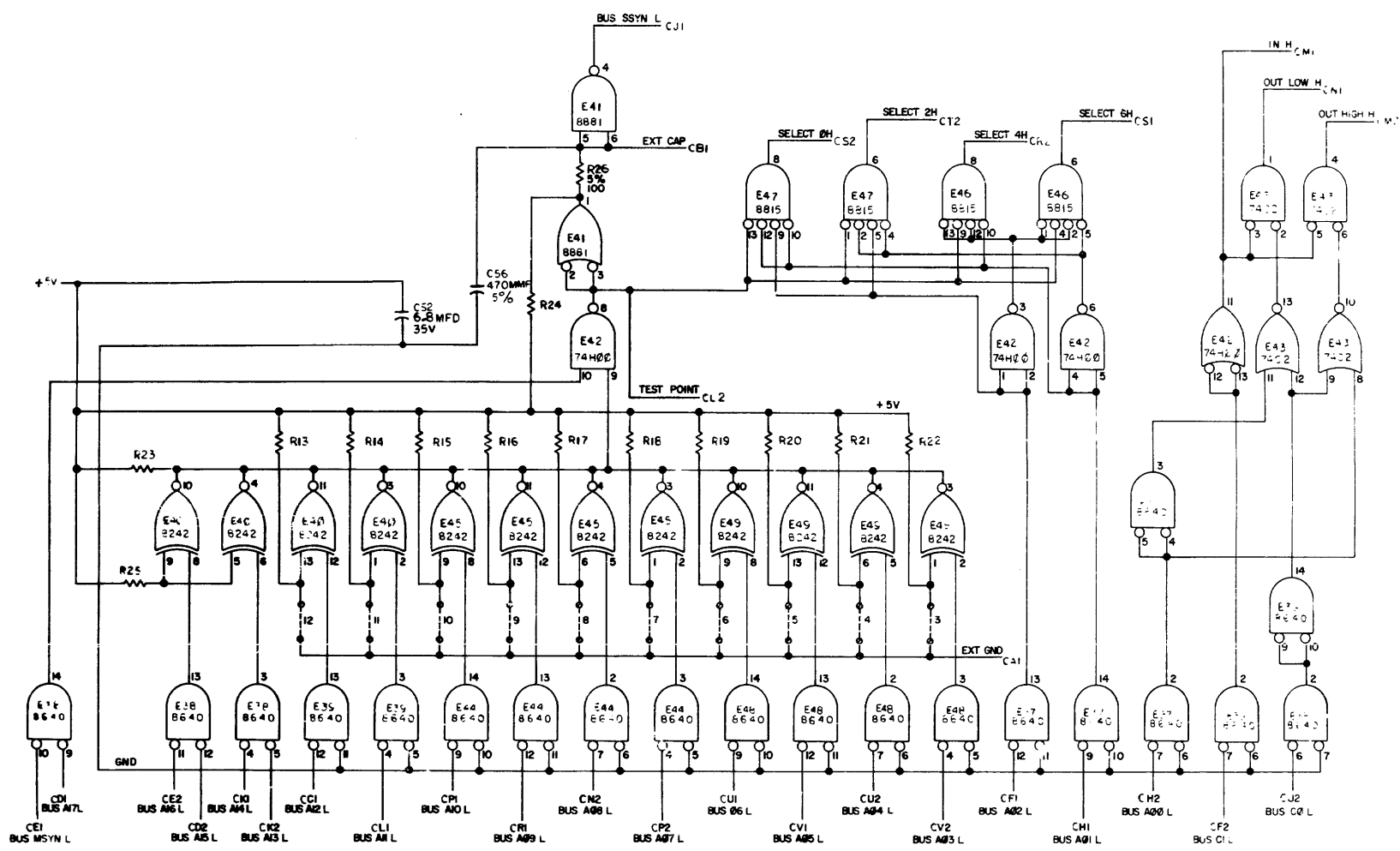
- BUS BQ 7 H (BK2)
- BUS BQ 7 H (BL2)
- BUS BQ 6 H (BM2)
- BUS BQ 5 H (BP2)
- BUS BQ 5 H (BR2)
- BUS BQ 4 H (BS2)
- BUS BQ 4 H (BT2)

NOTES:
1. SFT = L = PARALLEL ENTER
SFT = H = SERIAL SHIFT REGISTER

REV	
CHG	
CHK	
REV	
CHG	
CHK	

FIRST USED ON OPTION/MODEL	QTY	DESCRIPTION	PART NO	ITEM NO
K311-1		PARTS LIST		
UNLESS OTHERWISE SPECIFIED DIMENSION IN INCHES TOLERANCES	DRN	DATE	digital EQUIPMENT CORPORATION MAYNARD MASSACHUSETTS	
DECIMALS	ENG	DATE	TITLE	
ANGLES	PROJ ENG	DATE	X-CH 800-11-1	
REMOVE BURRS AND BREAK SHARP CORNERS SURFACE QUALITY	PROD.	DATE	REV	
MATERIAL	NEXT HIGHER ASSY	SIZE CODE	NUMBER	
FINISH	SCALE	DIST	W2251-0-1	
	SHEET	OF 4		

1. All dimensions are in inches unless otherwise specified.
 2. All dimensions are to be held unless otherwise specified.
 3. All dimensions are to be held unless otherwise specified.
 4. All dimensions are to be held unless otherwise specified.
 5. All dimensions are to be held unless otherwise specified.
 6. All dimensions are to be held unless otherwise specified.
 7. All dimensions are to be held unless otherwise specified.
 8. All dimensions are to be held unless otherwise specified.



REV	
CHANGE NO	
CHK	

FIRST USE ON OTHER WORK		QTY.	DESCRIPTION	PART NO.	ITEM NO.
KG11-A					
PARTS LIST					
DO NOT SCALE DRAWING					
UNLESS OTHERWISE SPECIFIED					
DIMENSION IN INCHES					
TOLERANCES					
DECIMALS FRACTIONS ANGLES					
± .008 ± 1/64 ± 0°30'					
FINAL SURFACE QUALITY					
REMOVE BURRS AND BREAK SHARP CORNERS					
MATERIAL					
NEXT HIGHER ASSY					
FINISH					
SCALE					
SHEET OF					
DRN. DATE		CHK'D. DATE		TITLE	
ENG. DATE		PROJ. ENG. DATE		digital EQUIPMENT CORPORATION MAYNARD, MASSACHUSETTS	
PROD. DATE		SIZE CODE		NUMBER	
		D		CS M7251-7-1	
		REV.		E	

