







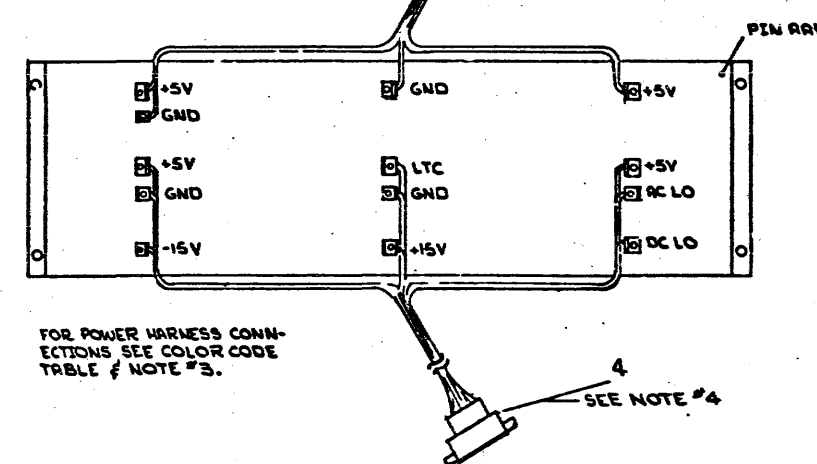
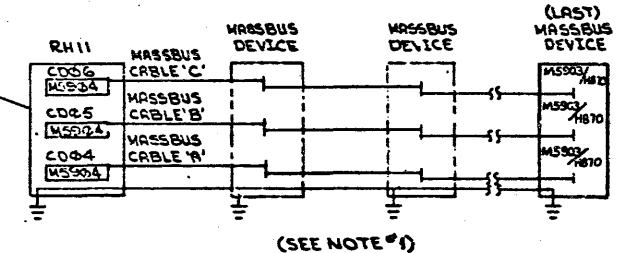
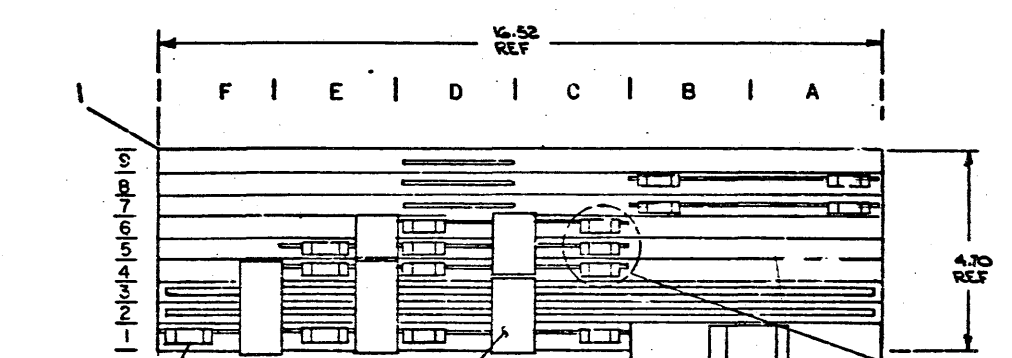


THIS DRAWING AND SPECIFICATIONS HEREIN ARE THE PROPERTY OF DIGITAL EQUIPMENT CORPORATION AND SHALL NOT BE REPRODUCED OR COPIED OR USED IN WHOLE OR IN PART BY ANY OTHER ENTITY FOR THE MANUFACTURE OR SALE OF THIS PRODUCT BY ANY OTHER ENTITY WITHOUT THE WRITTEN PERMISSION OF DIGITAL EQUIPMENT CORPORATION.

LEGEND	
VARIATION	DESCRIPTION
RH11-B	DUAL UNIBUS PORT CONTROLLER FOR MASSBUS
RH11-BA SEE NOTE 6	DUAL UNIBUS PORT CONTROLLER FOR MASSBUS. STRAWMAN SYSTEMS ONLY

POWER HARNESS COLOR CODE TABLE	
WIRE COLOR	TAB CONN.
RED	+5V
BLK	GND
BLU	-15V
YEL	AC LO
VIO	DC LO
GRY	+15V
BRN	LTC

- NOTES:**
1. INSERT ONE H870 MASSBUS TERMINATOR MODULE IN J2 (ETCH SIDE OF H870 TO COMPONENT SIDE OF M5303) OF EACH OF THE M5303 MASSBUS TRANSCIEVER MODULES IN THE LAST MASSBUS DRIVE.
  2. FOR MODULE LOCATION REFER TO: D-MU-RH11-B-01.
  3. USE CAUTION WHEN ATTACHING POWER HARNESS CABLES AS NOT TO PINCH WIRES ON THE WIRED ASSY. OR SHORT POWER TABS TO WIRE WRAP PINS.
  4. FOR 9 PIN POWER DISTRIBUTION SYSTEMS USE POWER HARNESSES D-1A-1009571-0-0 & D-1A-1009099-0-0 IN PLACE OF ITEMS #4 & 5.
  5. COLORED EDGE OF MASSBUS CABLES SHOULD BE FACING MODULE HANDLE OF M5304 & M5303-YA.
  6. RH11-BA USES THE YB VARIATION OF THE M7294 DATA AND CONTROL MODULE.



QTY.	DESCRIPTION	PART NO.	ITEM NO.
1	POWER HARNESS (9 PIN)	D-1A-1009099-0-0	REF
1	RH11 POWER HARN. (9 PIN)	D-1A-1009571-0-0	REF
1	RH11 POWER HARN. (15 PIN)	D-1A-1009570-0-0	5
1	POWER HARNESS (15 PIN)	D-1A-1009563-0-0	4
5	MODULE HOLDER	1209856	3
1	MODULE UTILIZATION	D-MU-RH11-B-01	2
1	WIRED ASSY (RH11)	D-RD-1009397-0-0	1

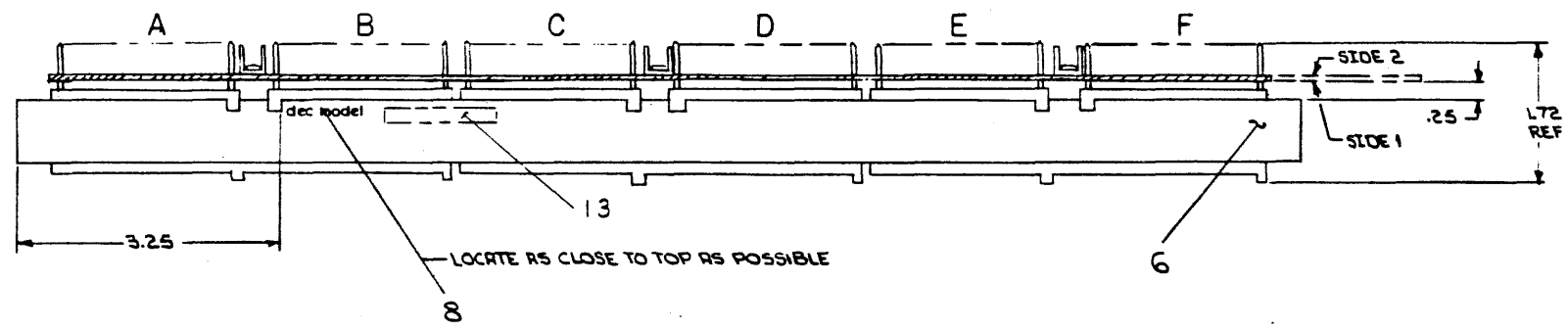
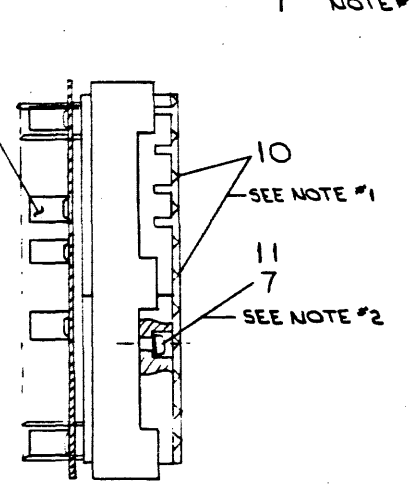
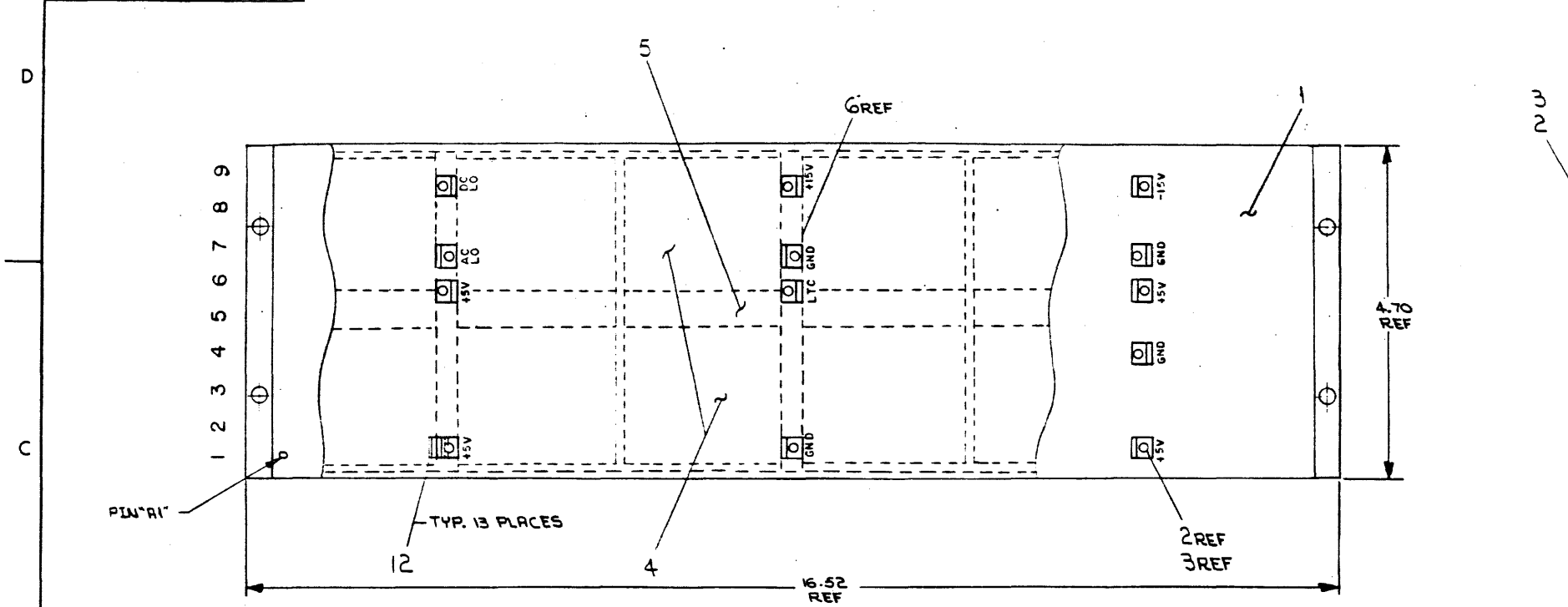
FIRST USED ON OPTION MODEL	RH11	DATE	
UNLESS OTHERWISE SPECIFIED DIMENSION IN INCHES		DATE	
TOLERANCES		DATE	
DECIMALS	ANGLES	DATE	
.XXX = .005	10' 30'	DATE	
.XX = .02		DATE	
.X = .1		DATE	
REMOVE BURRS AND BREAK SHARP CORNERS SURFACE QUALITY 1		DATE	
MATERIAL		DATE	
FINISH		DATE	

PARTS LIST	
digital EQUIPMENT CORPORATION	
TITLE	
RH11 UNIT ASSEMBLY	
MATERIAL	B-00-RH11-C
SCALE	NONE
SHEET	OF
DIST	

REV	BY	DATE
1	...	...
2	...	...
3	...	...
4	...	...
5	...	...
6	...	...
7	...	...
8	...	...

THIS DRAWING AND SPECIFICATIONS HEREIN ARE THE PROPERTY OF DIGITAL EQUIPMENT CORPORATION AND SHALL NOT BE REPRODUCED OR COPIED OR USED IN WHOLE OR IN PART AS THE BASIS FOR THE MANUFACTURE OR SALE OF ITEMS WITHOUT WRITTEN PERMISSION. COPYRIGHT © 1973 DIGITAL EQUIPMENT CORPORATION.

NOTES:  
 1. CUT ITEM #10 (CARD GUIDE), ON 6 SLOTS, DOWN TO 3 WITH 4 SLOTS & 3 WITH 5 SLOTS.  
 2. AFTER WAVE SOLDER PROCEDURE, REPLACE ITEM #7 (SCREWS) WITH ITEM #11 (SPECIAL SCREWS) WHEN INSTALLING ITEM #10 (CARD GUIDES) CUT TO SPECIFICATIONS IN NOTE #1.



A/R	WIRE #30 TWP BLK & WHT	9107720-09	16
A/R	COMPRESS-O-CARTON	9905016-4	15
REF	PACKAGING INSTRUCTIONS	P-PT-3700C43-0-0	14
1	DECAL LOGIC ASSY	A-DC-7411831-0-1	13
X	AWT REVISION STATUS	A-WT-7009397-0	REF
X	RHII BACK PANEL	D-CS-5410506-0	REF
X	WIRE LIST	MWL-RHII-0-12	REF
13	WIRE SHIELD	9009526	12
12	SCR SELF TAPPING PHL SPECIAL HD #8-32 x .810 LG	9009070-2	11
6	CARD GUIDE CENTER	1210698	10
A/R	WIRE #30 BRASS SOLID KVAR, VEL	9105740-44	9
1	LOGIC SERIAL NO. LABELS	A-74107846-0-0	8
15	SCR PHL HD POSITIVE #8-32 x .518 LG	9006120-06	7
1	11/16" FRAME	1211439-0	6
3	CONN BLOCK 72 PIN	1211425-0	5
6	CONN BLOCK 288 PIN	D-SCR20258-0-0	4
13	EYELET	9009000	3
13	TRB, RIGHT ANGLE	9008219	2
1	ETCH CKT BOARD	5010505	1

FIRST USED ON OPTION MODEL		QTY.	DESCRIPTION	PART NO.	ITEM NO.
RHII					
UNLESS OTHERWISE SPECIFIED DIMENSION IN INCHES			PARTS LIST		
TOLERANCES			digital EQUIPMENT CORPORATION		
DECIMALS	ANGLES	DATE	TITLE		
.XXX = .005	10' 30'	DATE	WIRED ASSY (RHII)		
.XX = .02		DATE	D-UA-RHII-0-0		
.X = .1		DATE	DAD 7009397-0-0		
REMOVE BURRS AND BREAK SHARP CORNERS SURFACE QUALITY 1			REV. H		
MATERIAL			SCALE NONE		
NEXT HIGHER ASSY.			SHEET OF		
FINISH			DIST.		

REV.	DATE	BY	CHKD.	APP'D.
A	11-20-72	S. JENKINS		
B	11-20-72	S. JENKINS		
C	11-20-72	S. JENKINS		
D	11-20-72	S. JENKINS		
E	11-20-72	S. JENKINS		
F	11-20-72	S. JENKINS		
G	11-20-72	S. JENKINS		
H	11-20-72	S. JENKINS		

THIS DRAWING AND SPECIFICATIONS, WHEN USED IN CONNECTION WITH THE EQUIPMENT OF DIGITAL EQUIPMENT CORPORATION, SHALL NOT BE USED IN WHOLE OR IN PART IN THE DESIGN, MANUFACTURE OR SALE OF ANY OTHER EQUIPMENT WITHOUT THE WRITTEN PERMISSION OF DIGITAL EQUIPMENT CORPORATION.

**NOTES:**

- VIEW OF LOGIC PANEL IS FROM WIRING SIDE.
- THE SMALL PERIPHERAL CONTROLLER SLOTS MAY CONTAIN A VARIETY OF POP 11 OPTIONS. THE OPTION MAY CONSIST OF A SINGLE QUAD MODULE BOARD (SLOTS C, D, E, & F) OR A DOUBLE HEIGHT CONTROLLER BOARD (SLOTS C & D) WITH AN M185 ADDRESS SELECTOR MODULE (SLOT E) AND AN M7821 INTERRUPT CONTROL MODULE (SLOT F).
- IF NO OPTION IS PRESENT IN THE SMALL PERIPHERAL CONTROLLER SLOTS, 6727 GRANT CONTINUITY MODULE(S) MUST BE INSERTED IN SLOTS D.
- MAY BE EITHER M520 (CONNECTION FROM ADJACENT DEVICE) OR BC11A CABLE (CONNECTION FROM ANOTHER BOX OR NON-ADJACENT DEVICE).
- MAY BE M520 (CONNECTION TO ADJACENT DEVICE), M530 (TERMINATION AT END OF UNIBUS A) OR BC11A CABLE (CONNECTION TO NEXT BOX OR NON-ADJACENT DEVICE).
- MAY BE M530B (TERMINATION AT BEGINNING OR END OF UNIBUS B) OR BC11A CABLE (CONNECTION TO OTHER BUS B DEVICES).
- FOR DIAGNOSTIC CHECKOUT AN M520B CONNECTOR MODULE MAY BE PLACED IN SLOTS A, B, B8 & B9. AN M530B OR BC11A CABLE IS THEN USED IN SLOT A, B & B9.
- ONE M870 MODULE WILL BE INSERTED IN J2 OF EACH OF THE M5903 MODULES IN THE LAST DRIVE UNIT ATTACHED TO THE MASSBUS CABLES ORIGINATING FROM THE M5904(S) IN THE RHII CONTROLLER BACKPLANE, WHEN BUILDING A MASSBUS SYSTEM.
- IF NO UNIBUS B CABLE IS CONNECTED TO THE RHII ONLY ONE M530B MODULE SHOULD BE USED IN SLOT A808.
- IF ANOTHER DEVICE ATTACHED TO THE SAME POWER SUPPLY AS THE RHII HAS UNIBUS POWER FAIL SIGNALS WIRED TO THE UNIBUS REMOVE THE M688 MODULE FOR THAT BUS.
- SMALL PER CONTROL SLOTS FOR MANUFACTURING USE ONLY.
- ONE M670 MODULE WILL BE INSERTED IN J4 (COMPONENT SIDE OUT) OF EACH OF THE 3 M5904 MODULES FOR SHIPMENT ONLY.
- M7294-TB VARIATION IS TO BE USED IN THE RHII-BA; FOR STRAWMAN SYSTEMS ONLY.

VIEW FROM WIRING SIDE

USAGE		1	UNIBUS A IN (BUS)	SEE NOTE 4							
USAGE		2	DATA BUFFER & CTRL (M724)	SEE NOTE 15							
USAGE		3	DATA BUFFER & CTRL (M724)	SEE NOTE 15							
USAGE		4	CONTROLLER TRANS (M584)		M584						
USAGE		5	CONTROLLER TRANS (M584)		M584						
USAGE		6	CONTROLLER TRANS (M584)		M584						
USAGE		7	SMALL PER CONTROL (KEY 1) (OPTIONAL)	SEE NOTES 2, 8, 9 & 11							(M727)
USAGE		8	SMALL PER CONTROL (KEY 2) (OPTIONAL)	SEE NOTES 2, 8, 9 & 11							(M727)
USAGE		9	SMALL PER CONTROL (KEY 3) (OPTIONAL)	SEE NOTES 2, 8, 9 & 11							(M727)
USAGE		10	UNIBUS POWER FAIL DRIVER (M688) (BUS)	SEE NOTE 10							
USAGE		11	UNIBUS POWER FAIL DRIVER (M688) (BUS)	SEE NOTE 10							
USAGE		12	DATA BUFFER & CONTROL (M724)	SEE NOTE 15							

QTY	DESCRIPTION	PART NO.	ITEM NO.
1	BUS CTRL	D-CS-M725-YA-1	1
3	GRANT CONTINUITY	B-CS-6727-B-1	2
3	MASS BUS TERMINATOR	D-CS-M870-B-1	3
1	PARITY CTRL	D-CS-M727-B-1	4
1	CTRL & STATUS REG	D-CS-M726-B-1	5
1	DATA BUFFER & CONTROL	D-CS-M724-B-4	6
3	CONTROLLER TRANSCEIVER	D-CS-M584-B-1	7
2	UNIBUS TERMINATOR (BUS B)	D-CS-2030-B-1	8
1	UNIBUS CONNECTOR	C-CS-M520-B-1	9
2	POWER FAIL DRIVER	D-CS-M688-B-1	10
2	HANDLE EXTENDER	A-PL-1858-B-8	11
1	DATA BUFFER & CONTROL STRAWMAN ONLY	D-CS-M7294-TB-1	12

FIRST USED ON OPTION MODEL: **RHII**

UNLESS OTHERWISE SPECIFIED DIMENSION IN INCHES

TOLERANCES

DECIMALS	ANGLES
.XXX - .006	+0.00
.00 - .01	-0.00

REMOVE BURRS AND BREAK SHARP CORNERS SURFACE QUALITY 1

MATERIAL: **B-DG-RHII-B**

FINISH: **NONE**

DATE: *2/1/77*

digital EQUIPMENT CORPORATION

TITLE: **MODULE UTILIZATION**

SIZE CODE: **D** NUMBER: **MU RHII-B -01** RE: **A**

SCALE: **NONE**

SHEET: **1** OF **1**

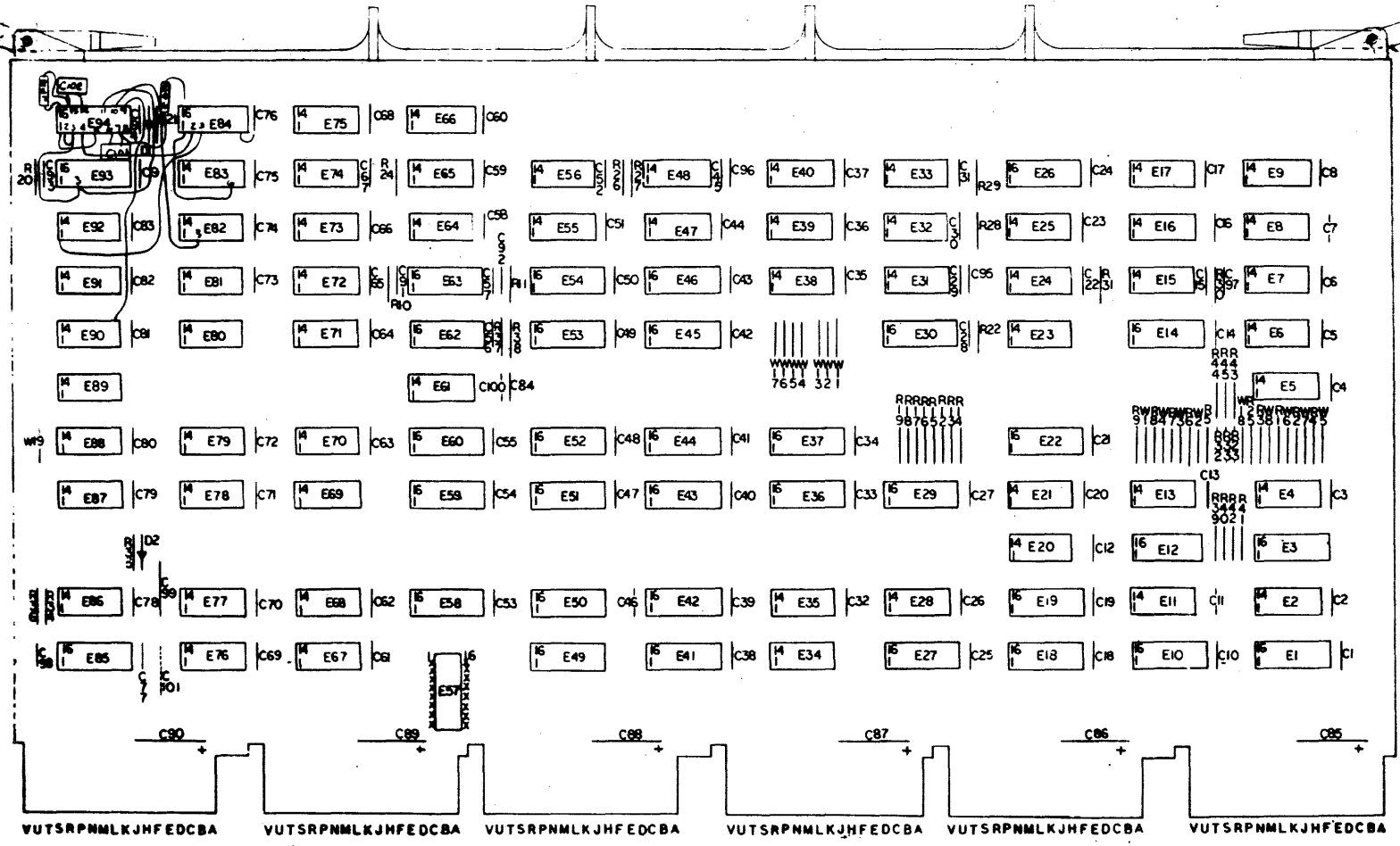
REV	DATE	BY	CHKD
1	1/1/77	...	...

The drawing and specifications herein are the property of Digital Equipment Corporation and shall not be reproduced or used in whole or in part as a basis for the manufacture of any product without written permission. COPYRIGHT © 1977  
 DIGITAL EQUIPMENT CORPORATION

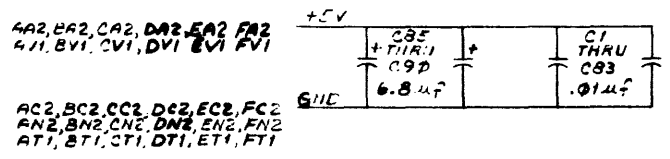
**NOTES:**

A/R	DESCRIPTION	QTY	REF DESIGNATION	DESCRIPTION	PART NO.	ITEM NO.
	WIRE 30AWG SOLID INS				9105740	54
1	C102		CAP 10PF 5% 100V		1000006	53

REF	DESCRIPTION	PART NO.	ITEM NO.
REF	X-Y COORDINATE HOLE LOCATION	K-00-40295-B-4	1
REF	ASSY/DRILLING HOLE LAYOUT	D-00-40295-A-5	2
REF	MODULE ECO HISTORY	B-00-40295-A-6	3
1	ETCHED CIRCUIT BOARD	500426	4
1	CAP 47 PF 5% 100V	1000011	5
2	CAP 100 PF 5% 300V	1000017	6
1	CAP 100 PF 5% 100V	1000020	7
2	CAP 220 PF 5% 100V	1000021	8
2	CAP 330 PF 5% 100V	1000023	9
1	IC DEC 7485	1910224	10
2	CAP .001 UF 20% 250V	1000043	11
1	CAP 30 UF 10% 10V S TANT	1000076	12
83	C1 THRU C53	CAP .01 UF 20% 50V DISK	1901610-E1
6	C85 THRU C90	CAP 6.8 UF 10% 35V S TANT	1000306
1	C91	CAP 22 PF 5% 100V	1000020
2	D1 D2	DIODE 0664	1100114
2	R26 R30	RES 47 5% 1/4W	1300202
5	R23, R32, R33, R37, R38	RES 330 5% 1/4W	1300309
26	R1 THRU R9, R12 THRU R19, R22, R25, R27, R35, R36 THRU R42, R31	RES 1K 5% 1/4W	1300365
6	R24, R28, R29, R43, R44, R45	RES 180 5% 1/4W	1301322
4	R10, R11, R20, R34	RES 5 6K 5% 1/4W	1301874
2	R35, R46	RES 27K 5% 1/4W	1305346
5	E86, E74, E85	IC DEC 7474	1900547
7	E7, E23, E68, E73, E80, E83, E89	IC DEC 7410	1900576
4	E32, E75, E77, E81	IC DEC 7402	1300004
5	E5, E17, E47, E82, E87	IC DEC 7400	1300056
3	E21, E25, E91	IC DEC 7411	1900287
6	E9, E56, E71, E90, E92, E95	IC DEC 74174	1900067
10	E2, E11, E24, E28, E33, E34, E35, E40, E55, E55	IC DEC 8001	1900705
2	E4, E13	IC DEC 8242	1900712
1	E31	IC DEC 7401	1900040
1	E38	IC DEC 7405	1900030
5	E6, E64, E70, E72, E78	IC DEC 7404	1900031
13	E14, E22, E30, E36, E37, E42, E43, E45, E46, E50, E51, E53, E54	IC DEC 74133	1910018
2	E58, E62	IC DEC 7442	1910046
2	E89, E79	IC DEC 7437	1910001
4	E15, E40, E80, E84	IC DEC 7408	1910155
4	E83, E85, E93, E94	IC DEC 74123	1910430
1	E26	IC DEC 745157	1910540
2	E20, E81	IC DEC 7427	1910070
4	E16, E39, E87, E76	IC DEC 8640	1911469
5	E1, E10, E13, E18, E27	IC DEC 8641	1911579
6	E41, E44, E48, E52, E59, E80	IC DEC 8234	1911315
1	F29	IC DEC 8223 PROM	230410A1
1	(FOR E57)	IC SOCKET	1200000
1	E3	IC COMPONENT CARRIER	1211323
1	HANDLE	1210711-2	47
1	E57	PRIORITY JUMPER LEVEL #5	5000778
12	EYELET	9000732	40
17	WI-WEL, W11-W19	INSULATED JUMPER	9009155
1	R21	RES 56K 5% 1/4W	1302395
1	R47	RES 6.8K 5% 1/4W	1301423



DEC NO.	QTY	ITEM NO.
DEC 8223 PROM	8	16
DEC 9234	8	16
DEC 8641	8	16
DEC 8840	1	8
DEC 748157	8	16
DEC 74123	8	16
DEC 74193	8	16
DEC 7405	8	16
IC TYPE	8000	+5V



**EQUIPMENT CORPORATION**

**BUS CNTL MODULE (BCT)**

ETCH BOARD REV C

D664 IN3600

SEMICONDUCTOR CONVERSION CHART

DEC NO. EIA NO.

REVISIONS

W. WALLEY

S. CALDWELL

M7295-YA-1

REVISIONS

DATE

BY

APPROVED

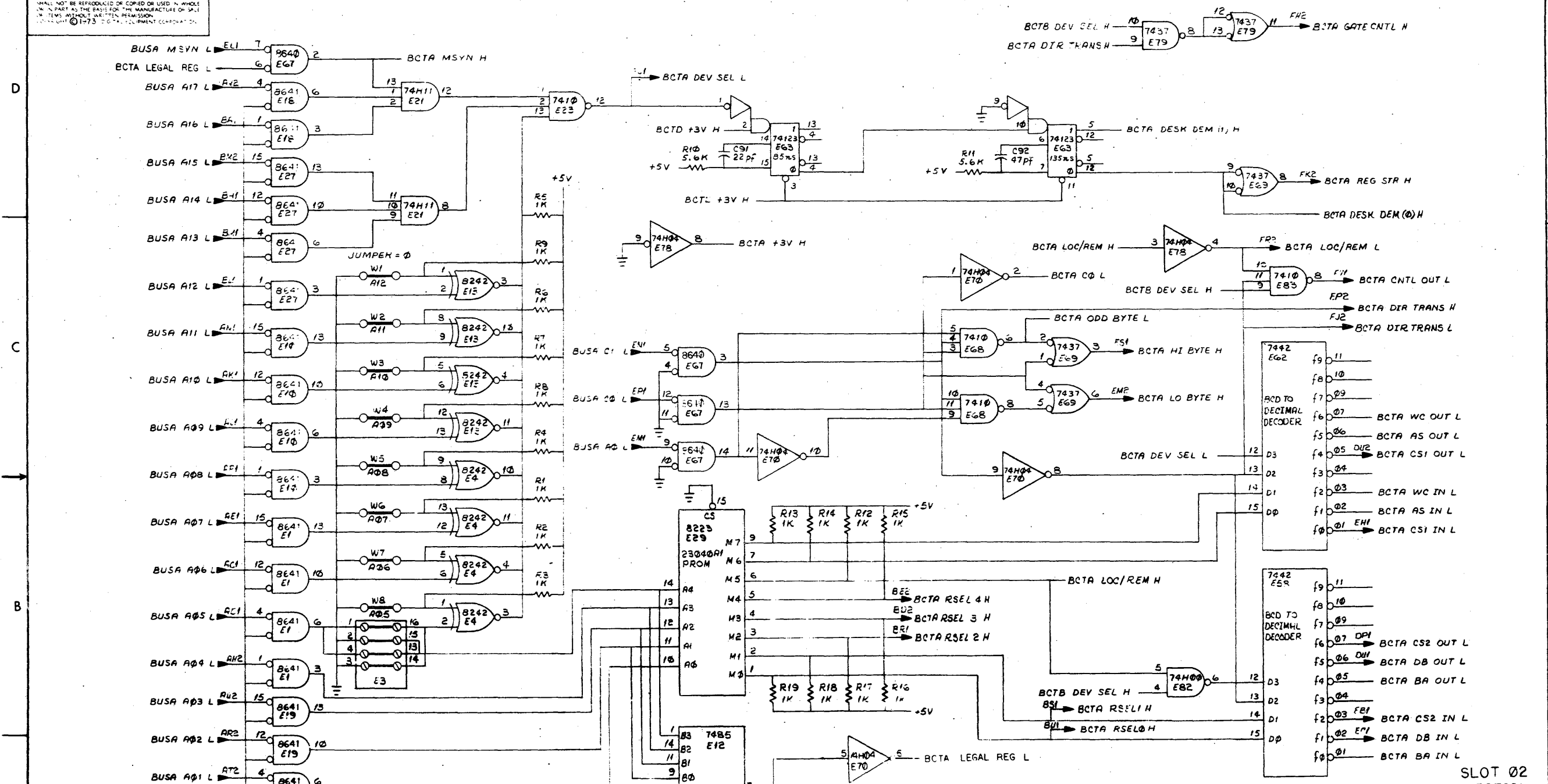
DATE

BY

APPROVED



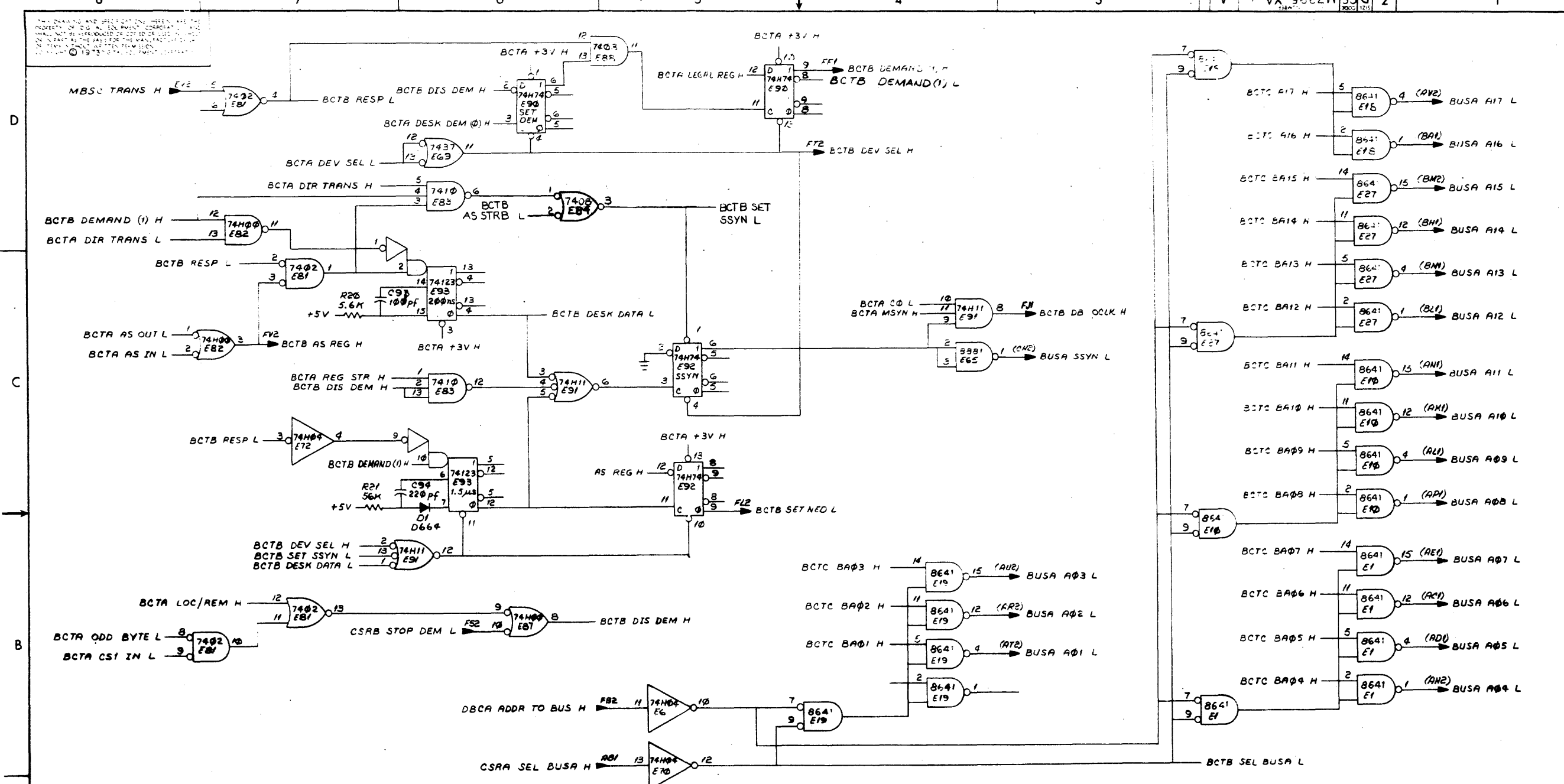
THIS DRAWING AND SPECIFICATIONS HEREIN ARE THE PROPERTY OF DIGITAL EQUIPMENT CORPORATION AND SHALL NOT BE REPRODUCED OR COPIED OR USED IN WHOLE OR IN PART AS THE BASIS FOR THE MANUFACTURE OF SALE OR IN ANY MANNER WITHOUT WRITTEN PERMISSION.  
 © 1973 DIGITAL EQUIPMENT CORPORATION



REV	CHG	NO.	DATE
1			
2			
3			
4			
5			
6			
7			
8			

JUMPERS		SELECTS UP TO 16 REGS	SELECTS UP TO 32 REGS	FIRST USED ON OPTION/MODEL	QTY	DESCRIPTION	PART NO.	ITEM NO.
E3(1-16)		IN	OUT	UNLESS OTHERWISE SPECIFIED DIMENSION IN INCHES	PARTS LIST			
E3(2-15)		OUT	IN (W/B IN)	TOLERANCES	DRN: J. Vincent DATE: 1-16-72 CHK'D: DATE: ENG: DATE: PROJ. ENG: DATE: PROD: DATE:			
E3(4-13)		EACH JUMPER OUT INDICATES THE NUMBER OF REGISTERS THAT CAN BE SELECTED		DECIMALS .XXX = .005 .XX = .02 .X = .1	TITLE: BUS CNTL FOR RH11-B (BCTA) MATERIAL: -- FINISH: --			
E3(3-14)				REMOVE BURRS AND BREAK SHARP CORNERS SURFACE QUALITY 1	DCS M7295-YA-1 SCALE: -- SHEET: 2 OF 10			
E3(8-9)					NEXT HIGHER ASSY.: SIZE CODE: -- NUMBER: -- REV. NO.: A			
E3(5-12)								
E3(7-10)								
E3(6-11)								

SLOT 02 REGISTER SELECTION  
 DCS M7295-YA-1  
 REV. NO. A

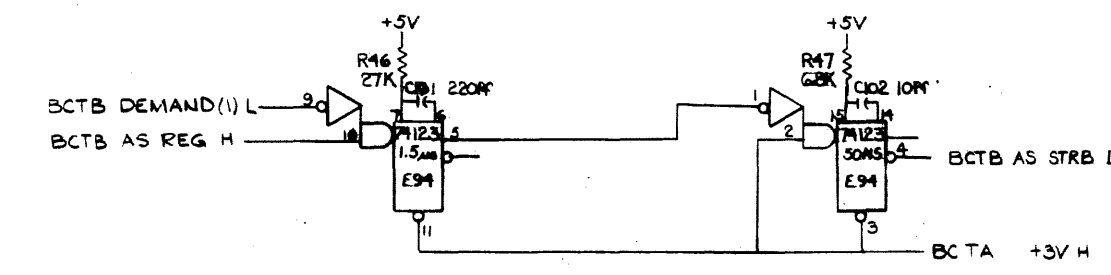


8  
7  
6  
5  
4  
3  
2  
1

8  
7  
6  
5  
4  
3  
2  
1

SLOT 02  
UNIBUS A ADDR DRIVERS & SSYN; DEMAND

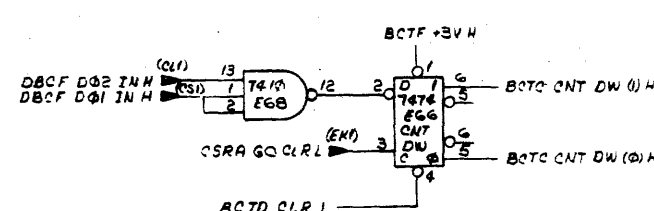
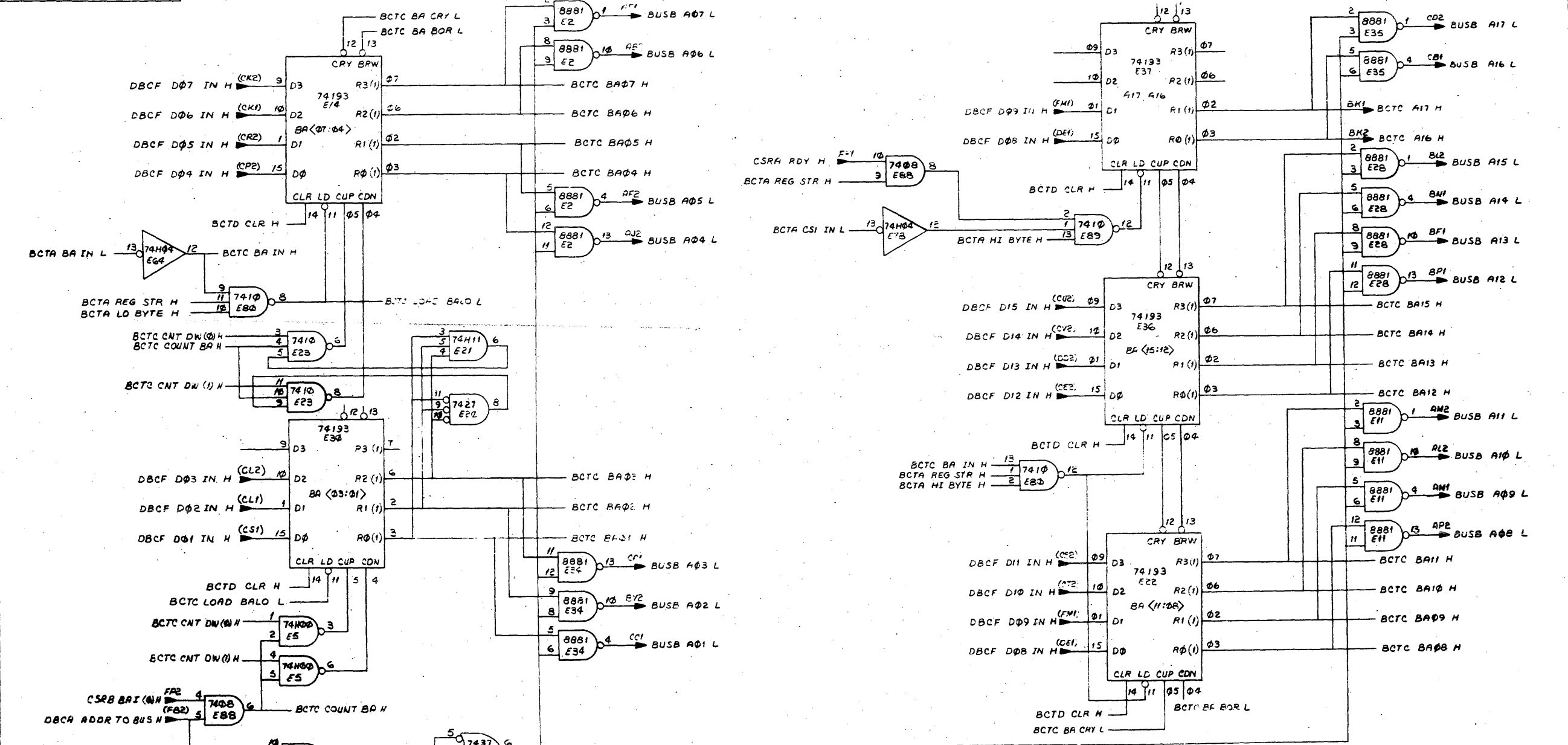
FIRST USED ON OPTION/MODEL	QTY.	DESCRIPTION	PART NO.	ITEM NO.
PARTS LIST				
UNLESS OTHERWISE SPECIFIED DIMENSION IN INCHES				
TOLERANCES				
DECIMALS	ANGLES	DATE		
XXX = .006	XX = .02	ENG.	DATE	EQUIPMENT CORPORATION MILFORD, MASSACHUSETTS
X = .1		PROJ. ENG.	DATE	
REMOVE BURRS AND BREAK SHARP CORNERS SURFACE QUALITY #		PROD.	DATE	
MATERIAL	NEXT HIGHER ASSY.		SIZE/ODD	NUMBER
FINISH	SCALE	D C S M7295-YA-1		REV. A
	SHEET 3 OF 10	DISTR.		



REVISIONS  
CHANGE NO.  
REV.

REVISIONS  
CHANGE NO.  
REV.

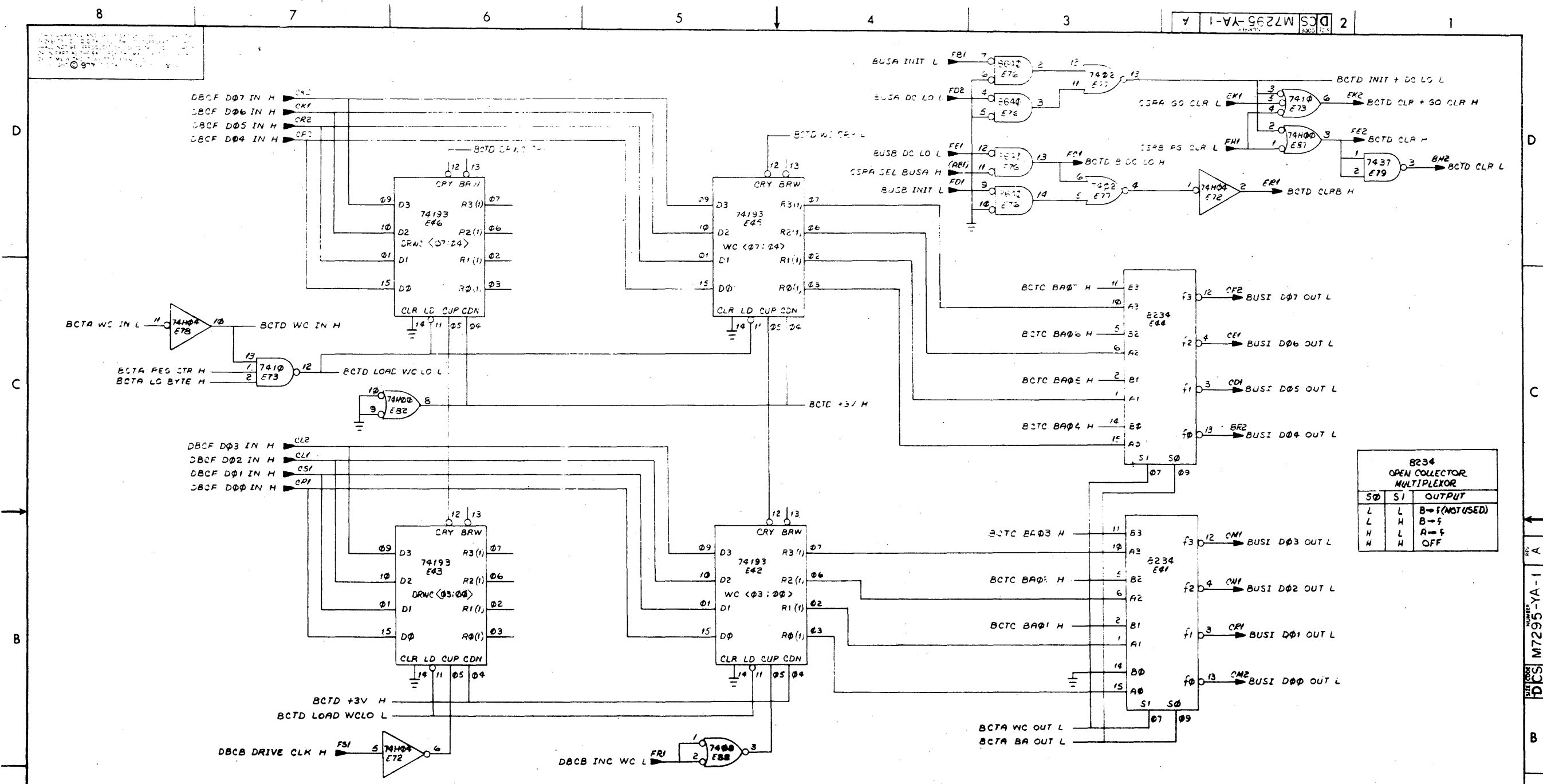
THIS DRAWING AND SPECIFICATIONS HEREIN ARE THE PROPERTY OF DIGITAL EQUIPMENT CORPORATION AND SHALL NOT BE REPRODUCED OR COPIED OR USED IN WHOLE OR IN PART AS THE BASIS FOR THE MANUFACTURE OR SALE OF ITEMS WITHOUT THE WRITTEN PERMISSION OF DIGITAL EQUIPMENT CORPORATION.



SLOT 02  
BUS ADDR REG

REV	DESCRIPTION
1	INITIAL

FIRST USED ON OPTION/MODEL	QTY.	DESCRIPTION	PART NO.	ITEM NO.
PARTS LIST				
UNLESS OTHERWISE SPECIFIED DIMENSION IN INCHES				
TOLERANCES				
DECIMALS	ANGLES	DATE	TITLE	
XXX ± .005	° 0' 30"	ENG.	BUS CNTL FOR RH11-B (DCTC)	
.XX ± .02		PROJ. ENG.	DATE	
.X ± .1		PROD.	DATE	
REMOVE BURRS AND BREAK SHARP CORNERS SURFACE QUALITY Y				
MATERIAL				
NEXT HIGHER ASSY.				
FINISH				
SCALE				
SHEET 4 OF 10				
DCS M7295-YA-1			REV. A	



8234  
OPEN COLLECTOR  
MULTIPLEXOR

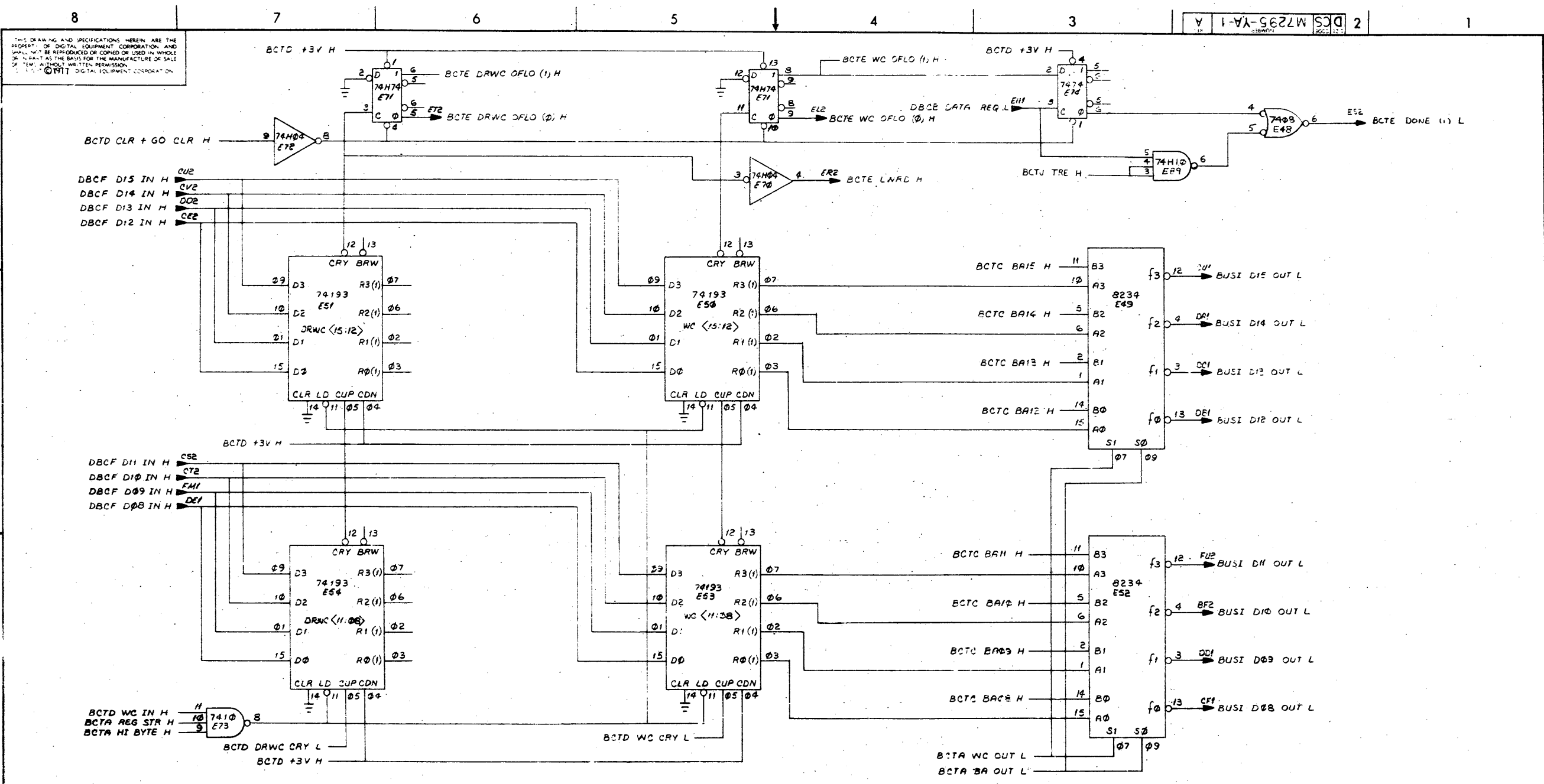
S0	S1	OUTPUT
L	L	B=F (NOT USED)
L	H	B=F
H	L	A=F
H	H	OFF

SLOT 02  
WORD COUNT REGS. <08:00> & CLR LOGIC

FIRST USED ON OPTION/MODEL	QTY.	DESCRIPTION	PART NO.	ITEM NO.
PARTS LIST				
UNLESS OTHERWISE SPECIFIED DIMENSION IN INCHES		DATE	DATE	
TOLERANCES		DATE	DATE	
DECIMALS	ANGLES	ENG.	DATE	TITLE
XX ± .005	° 30'	PROJ. ENG.	DATE	BUS CNTL FOR RH11-B (BCTD)
XX ± .02		PROD.	DATE	
REMOVE BURRS AND BREAK SHARP CORNERS SURFACE QUALITY Y		NEXT HIGHER ASSY.		
MATERIAL	FINISH	SCALE	SIZE/CODE	NUMBER
---	---	---	DCS	M7295-YA-1
SHEET 5 OF 10		REV. A		

REV.	CHANGE NO.

DCS M7295-YA-1



SLOT 02  
WORD COUNT REGS. <15:08>

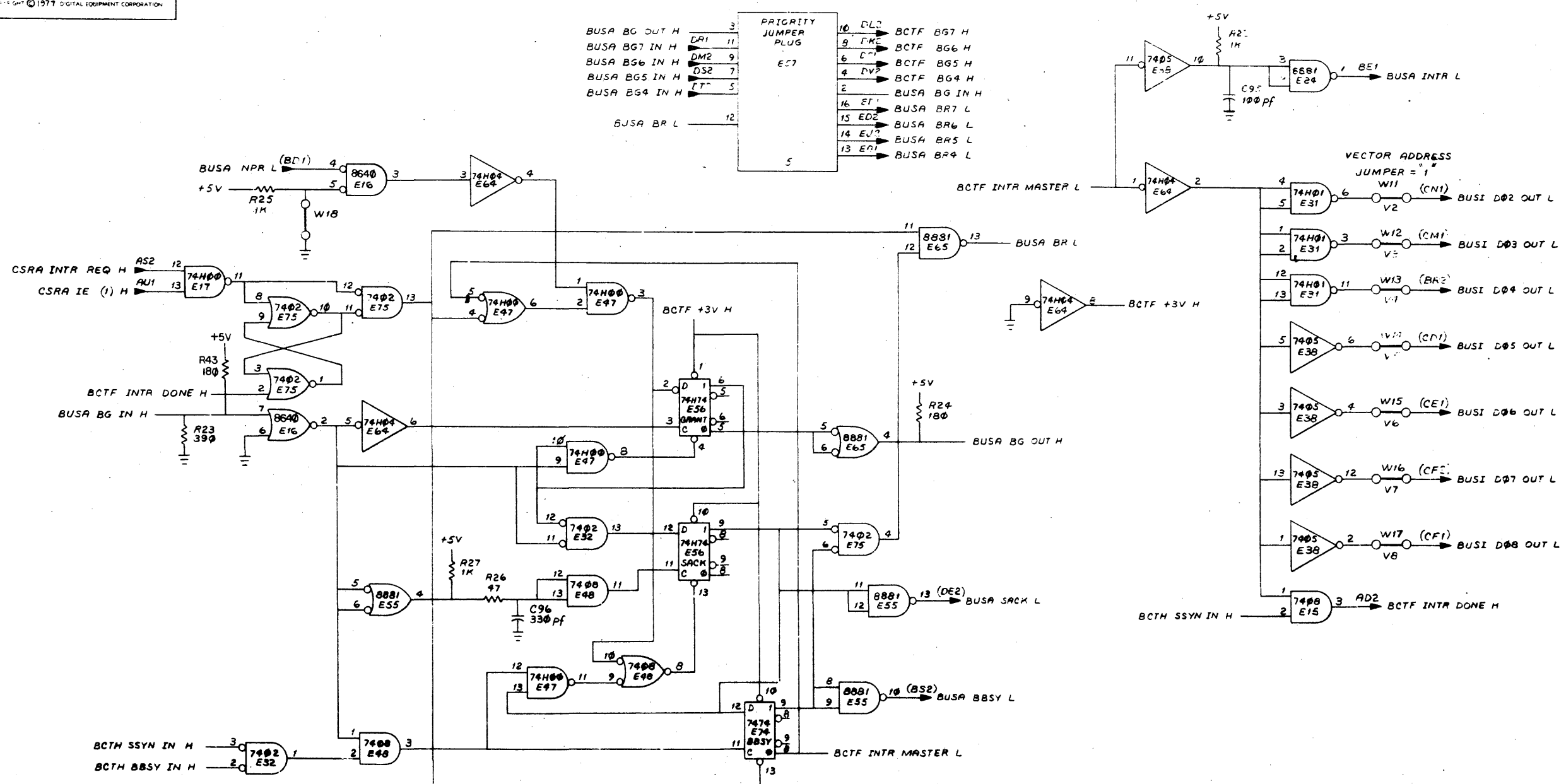
FIRST USED ON OPTION/MODEL	QTY.	DESCRIPTION	PART NO.	ITEM NO.
PARTS LIST				
UNLESS OTHERWISE SPECIFIED DIMENSION IN INCHES		DATE	EQUIPMENT CORPORATION MAYNARD, MASSACHUSETTS	
TOLERANCES		CHKD.	TITLE	
DECIMALS	ANGLES	ENG.	DATE	BUS CNTL FOR RHII-B (BCTE)
.XXX = .005	.0 30'	PROJ. ENG.	DATE	
.XX = .02		PROD.	DATE	
REMOVE BURRS AND BREAK SHARP CORNER SURFACE QUALITY Y		NEXT HIGHER ASSY.		
MATERIAL		SCALE		SIZE CODE NUMBER REV.
FINISH		SHEET 6 OF 10		DCS M7295-YA-1 A

REV.	
CHG. NO.	
THK.	

DCS M7295-YA-1 A

THIS DRAWING AND SPECIFICATIONS HEREIN ARE THE PROPERTY OF DIGITAL EQUIPMENT CORPORATION AND SHALL NOT BE REPRODUCED OR COPIED OR USED IN WHOLE OR IN PART AS THE BASIS FOR THE MANUFACTURE OR SALE OF ITEMS WITHOUT WRITTEN PERMISSION.  
 © 1977 DIGITAL EQUIPMENT CORPORATION

DCS M7295-YA-1  
 2

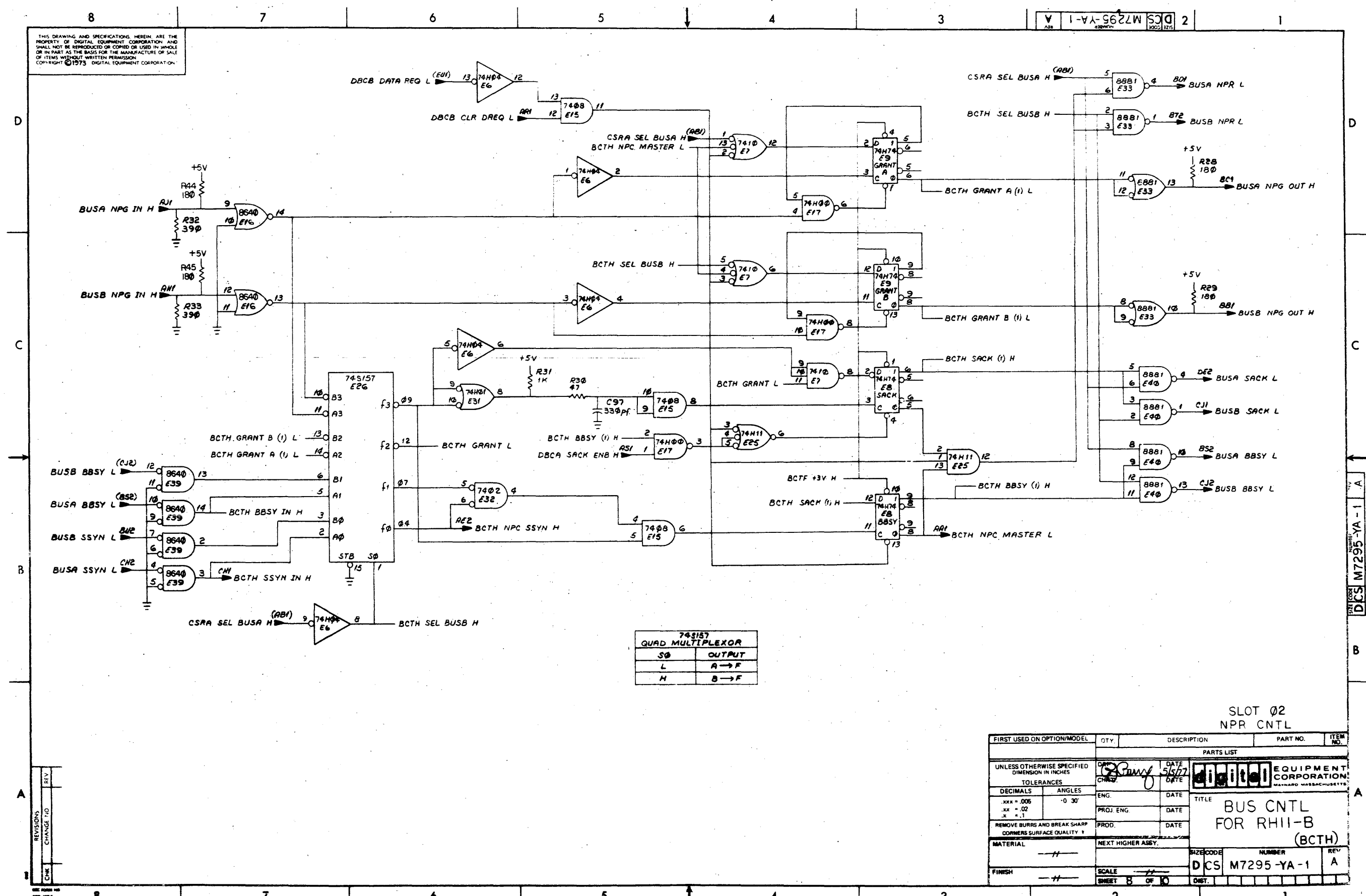


SLOT 02  
 INTERRUPT CNTL

FIRST USED ON OPTION/MODEL	QTY.	DESCRIPTION	PART NO.	ITEM NO.
PARTS LIST				
UNLESS OTHERWISE SPECIFIED DIMENSION IN INCHES		DRN. <i>J. Vincent</i>	DATE 1-24-78	EQUIPMENT CORPORATION MILFORD, MASSACHUSETTS
TOLERANCES		CHK'D.	DATE	
DECIMALS	ANGLES	ENG.	DATE	TITLE BUS CNTL FOR RH11-B (DCTF)
XXX = .005	10' 30'	PROJ. ENG.	DATE	
.XX = .02		PROD.	DATE	
REMOVE BURRS AND BREAK SHARP CORNERS SURFACE QUALITY Y				
MATERIAL	FINISH	NEXT HIGHER ASSY.	SIZE CODE	REV.
			DCS M7295-YA-1	A
SCALE		DRAWN BY		
1:1		7 OF 10		

REV.	CHANGE NO.	REVISIONS

THIS DRAWING AND SPECIFICATIONS HEREIN ARE THE PROPERTY OF DIGITAL EQUIPMENT CORPORATION AND SHALL NOT BE REPRODUCED OR COPIED OR USED IN WHOLE OR IN PART AS THE BASIS FOR THE MANUFACTURE OF SALE OF ITEMS WITHOUT WRITTEN PERMISSION. COPYRIGHT © 1973 DIGITAL EQUIPMENT CORPORATION.



74S157 QUAD MULTIPLEXOR	
S0	OUTPUT
L	A → F
H	B → F

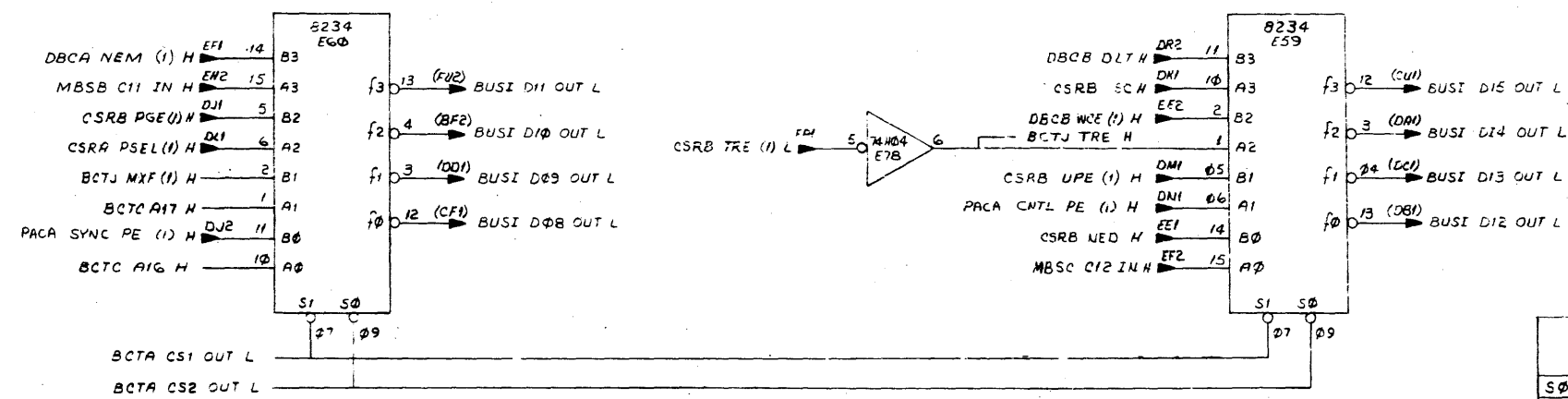
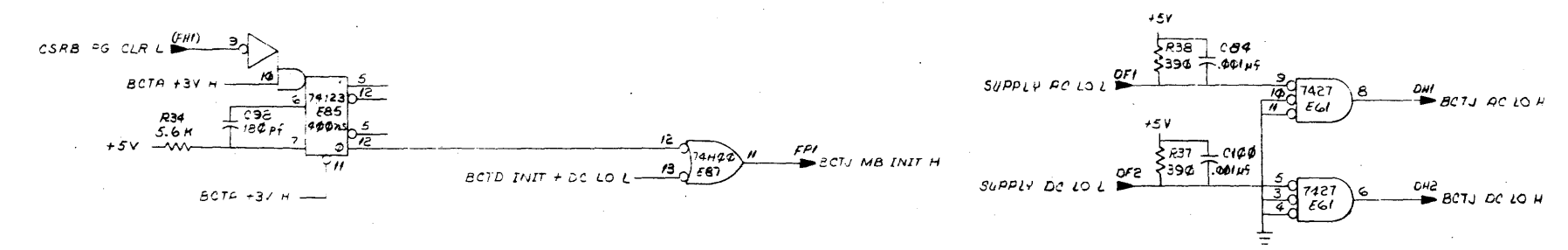
SLOT 02  
NPR CNTL

REV	DATE	BY	CHK

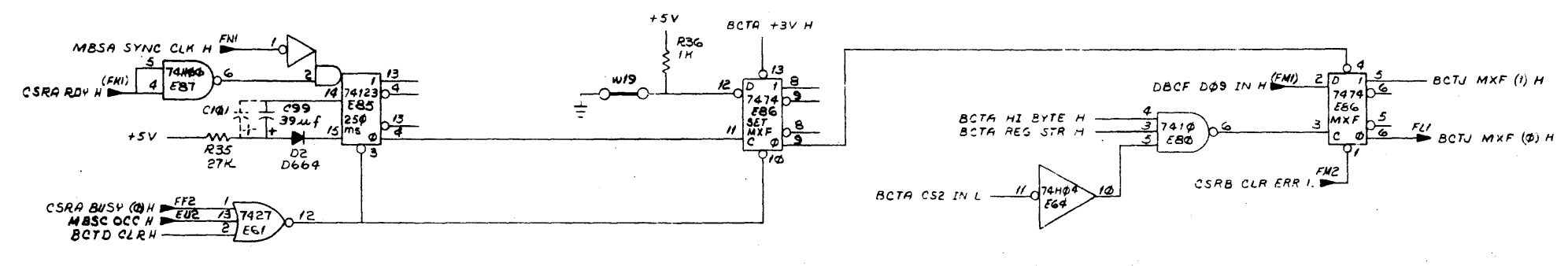
FIRST USED ON OPTION/MODEL	QTY.	DESCRIPTION	PART NO.	ITEM NO.
PARTS LIST				
UNLESS OTHERWISE SPECIFIED DIMENSION IN INCHES		DATE	DIGITAL EQUIPMENT CORPORATION MAYNARD MASSACHUSETTS	
TOLERANCES		5/5/77	TITLE	
DECIMALS	ANGLES	ENG.	BUS CNTL FOR RH11-B (BCTH)	
.xxx = .005	.0 30'	DATE	SIZE CODE	
.xx = .02		PROJ. ENG.	NUMBER	
.x = .1		DATE	DCS M7295-YA-1	
REMOVE BURRS AND BREAK SHARP CORNERS SURFACE QUALITY 1		PROD.	REV	
MATERIAL		DATE	A	
NEXT HIGHER ASSY.		SCALE	SHEET 8 OF 10	
FINISH		DATE	DST.	

DCS M7295-YA-1

THIS DRAWING AND SPECIFICATION HEREIN ARE THE PROPERTY OF DIGITAL EQUIPMENT CORPORATION. IT SHALL NOT BE REPRODUCED OR COPIED OR USED IN WHOLE OR IN PART AS THE BASIS FOR THE MANUFACTURE OF ANY OF ITEMS WHICH ARE THE SUBJECT MATTER OF THIS DRAWING WITHOUT WRITTEN PERMISSION. COPYRIGHT © 1977 DIGITAL EQUIPMENT CORPORATION.



8234 OPEN COLLECTOR MULTIPLEXOR		
SΦ	SI	OUTPUT
L	L	B → F (NOT USED)
L	H	B → F
H	L	A → F
H	H	OFF



SLOT 02  
MXF; DATA OUT MPX; MB INIT

FIRST USED ON OPTION MODEL	QTY	DESCRIPTION	PART NO.	ITEM NO.
RH11				
UNLESS OTHERWISE SPECIFIED DIMENSIONS IN INCHES				
TOLERANCES				
DECIMALS	ANGLES	ENG.	DATE	
*** .005	.030	PROJ ENG	DATE	
** .02		PROD.	DATE	
* .1				
REMOVAL BURRS AND BREAK SHARP CORNERS SURFACE QUALITY 1				
MATERIAL				
NEXT HIGHER ASSY.				
FINISH				
SCALE				
SHEET 9 OF 10				
TITLE		SIZE/CODE	NUMBER	REV.
BUS CNTL FOR RH11-B (BCTJ)		DCS	M7295-YA-1	A



THIS DRAWING AND SPECIFICATIONS HEREIN ARE THE PROPERTY OF DIGITAL EQUIPMENT CORPORATION AND SHALL NOT BE REPRODUCED OR COPIED OR USED IN WHOLE OR IN PART AS THE BASIS FOR THE MANUFACTURE OR SALE OF ITEMS WITHOUT WRITTEN PERMISSION. COPYRIGHT © 1977 DIGITAL EQUIPMENT CORPORATION

DCS M7295-YA-1 2

REGISTER SELECT PROM - 23040A1 (8223)

OCTAL ADDR	LOC/REM							
	M7	M6	M5	M4	M3	M2	M1	M0
00	L	L	L	L	L	L	L	L
01	H	L	H	L	L	L	H	H
02	H	H	H	L	L	L	L	L
03	H	H	L	L	L	H	L	H
04	H	H	H	L	L	L	H	L
05	H	H	L	L	L	L	L	H
06	H	H	L	L	L	L	H	L
07	L	H	L	L	L	H	L	L
10	H	H	L	L	L	H	H	H
11	H	H	H	L	L	L	L	H
12	H	H	L	L	L	L	H	H
13	H	H	L	L	L	H	H	L
14	H	H	L	L	H	L	L	L
15	H	L	L	L	H	L	L	L
16	H	H	L	L	H	L	H	L
17	H	H	L	L	H	L	H	H
20	H	H	L	L	H	H	L	L
21	H	H	L	L	H	H	L	H
22	H	H	L	L	H	H	H	L
23	H	H	L	L	H	H	H	H
24	H	H	L	H	L	L	L	L
25	H	H	L	H	L	L	L	H
26	H	H	L	H	L	L	H	L
27	H	H	L	H	L	L	H	H
30	H	H	L	H	L	H	L	L
31	H	H	L	H	L	H	L	H
32	H	H	L	H	L	H	H	L
33	H	H	L	H	L	H	H	H
34	H	H	L	H	H	L	L	L
35	H	H	L	H	H	L	L	H
36	H	H	L	H	H	L	H	L
37	H	H	L	H	H	L	H	H

- REGISTER SELECTED
- RHCSI #
  - MASSBUS (00)
  - RHWC
  - RHBA
  - MASSBUS (05)
  - RHCS2
  - MASSBUS (01)
  - MASSBUS (02)
  - MASSBUS (04)
  - MASSBUS (07)
  - RHDB
  - MASSBUS (03)
  - MASSBUS (06)
  - MASSBUS (10)
  - MASSBUS (12)
  - MASSBUS (13)
  - MASSBUS (14)
  - MASSBUS (15)
  - MASSBUS (16)
  - MASSBUS (17)
  - MASSBUS (20)
  - MASSBUS (21)
  - MASSBUS (22)
  - MASSBUS (23)
  - MASSBUS (24)
  - MASSBUS (25)
  - MASSBUS (26)
  - MASSBUS (27)
  - MASSBUS (30)
  - MASSBUS (31)
  - MASSBUS (32)
  - MASSBUS (33)

PROM TRUTH TABLE

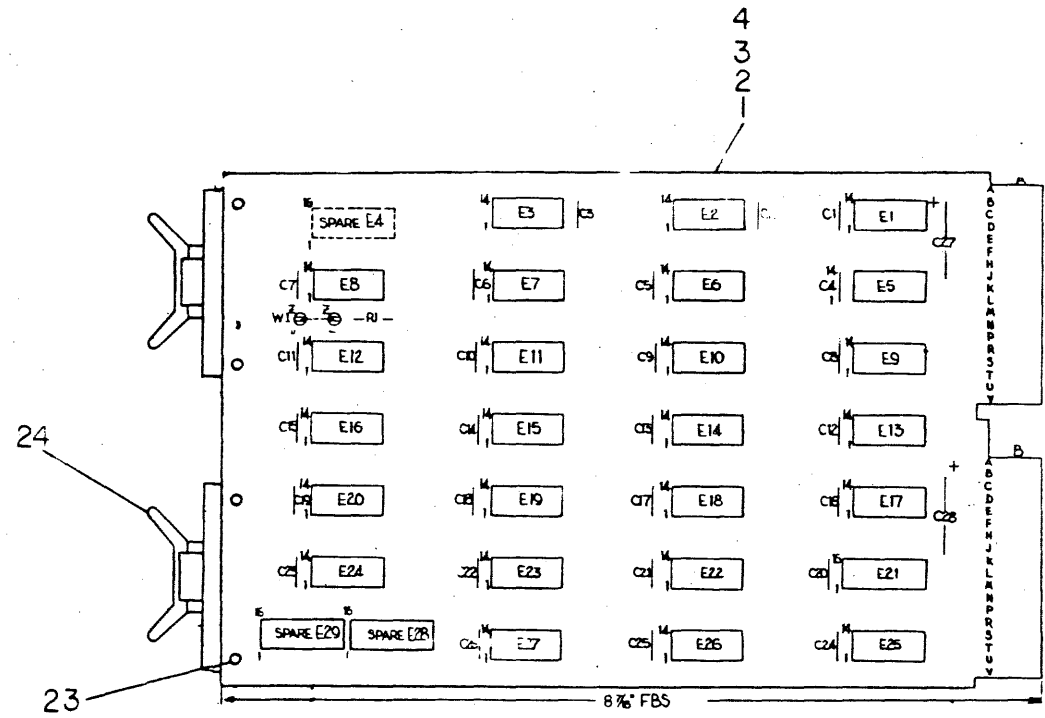
FIRST USED ON OPTION/MODEL	QTY.	DESCRIPTION	PART NO.	ITEM NO.
PARTS LIST				
UNLESS OTHERWISE SPECIFIED DIMENSION IN INCHES	DATE	<b>DIGITAL EQUIPMENT CORPORATION</b> <small>MAYNARD, MASSACHUSETTS</small>		
TOLERANCES	DATE			
DECIMALS ANGLES	DATE			
.XXX = .006 .XX = .02 .X = .1	DATE			
REMOVE BURRS AND BREAK SHARP CORNERS SURFACE QUALITY Y	DATE	<b>TITLE</b> <b>BUS CNTL FOR RH1-B (BCK)</b>		
MATERIAL	NEXT HIGHER ASSY.	<b>DCS M7295-YA-1</b>		
FINISH	SCALE	<b>REV. A</b>		

UNLESS OTHERWISE SPECIFIED DIMENSIONS ARE IN INCHES  
 UNLESS OTHERWISE SPECIFIED DIMENSION IN INCHES  
 UNLESS OTHERWISE SPECIFIED DIMENSION IN INCHES

DCS M7295-YA-1  
 DCS M7295-YA-1

DIGITAL EQUIP CORP  
 THE DESIGN AND MANUFACTURE OF THIS BOARD IS THE PROPERTY OF Digital Equipment Corporation and shall not be reproduced or transmitted in any form or by any means electronic, mechanical, photocopying, recording, or by any information storage and retrieval system without permission. COPY RIGHT © 1973

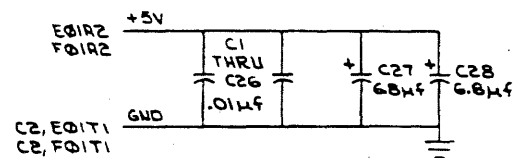
**NOTES:**  
 1. PIN NOTATION THROUGHOUT IS ORDERED UPON MODULE PLACEMENT IN THE RH11. MODULE PIN REFERENCE ALONE IS OBTAINED BY DELETING THE NUMBER (SLOT LOCATION) AFTER THE FIRST LETTER AND CONVERTING THE FIRST LETTER ACCORDING TO THE PIN NOMENCLATURE CHART AT RIGHT.



**PIN NOMENCLATURE**

MODULE	RH11
A	E
B	F

QTY	REF DESIGNATION	DESCRIPTION	PART NO.	ITEM NO.
2		HANDLE, FLIP CHIP	9008337-6	24
4		EYELET	9006732	23
2		SPLIT LUG	9006735	22
1	E21	IC DEC 74175	1910651	21
2	E8, E11	IC DEC 7408	1910155	20
1	E5	IC DEC 7437	1910091	19
3	E10, E13, E26	IC DEC 74H04	1909931	18
3	E3, E24, E25	IC DEC 74H74	1909667	17
3	E16, E23, E27	IC DEC 74H11	1909267	16
1	E22	IC DEC 74H30	1909059	15
1	E6	IC DEC 74H10	1909057	14
1	E9	IC DEC 74H00	1909056	13
1	E20	IC DEC 7402	1909004	12
1	E19	IC DEC 7420	1905577	11
1	E14	IC DEC 7410	1905576	10
3	E1, E2, E17	IC DEC 7400	1905575	9
4	E12, E15, E7, E18	IC DEC 7474	1905547	8
1	R1	RESISTOR 1K 1/4W 5%	1300365	7
2	C27, C28	CAP 6.8uf 35V 10% TANT	1005306	6
26	C1 THRU C26	CAP .01uf 50V 20% AXIAL CER	1001610	5
1		ETCHED CIRCUIT BOARD	5010429	4
REF		MODULE ECO HISTORY	B-MN-M7296-B-6	3
REF		ASSY/DRILLING HOLE LAYOUT	D-AM-M7296-B-5	2
REF		X-Y COORDINATE HOLE LOCATION	K-CO-M7296-B-4	1



DEC FORM NO	REV	DATE
DEC 74175	B	16
IC TYPE	GND	+5V
GND AND 5V ARE USUALLY PIN 7 AND 14 RESPECTIVELY. EXCEPTIONS ARE STATED ABOVE.		
IC PIN LOCATIONS		

**SEMICONDUCTOR CONVERSION CHART**

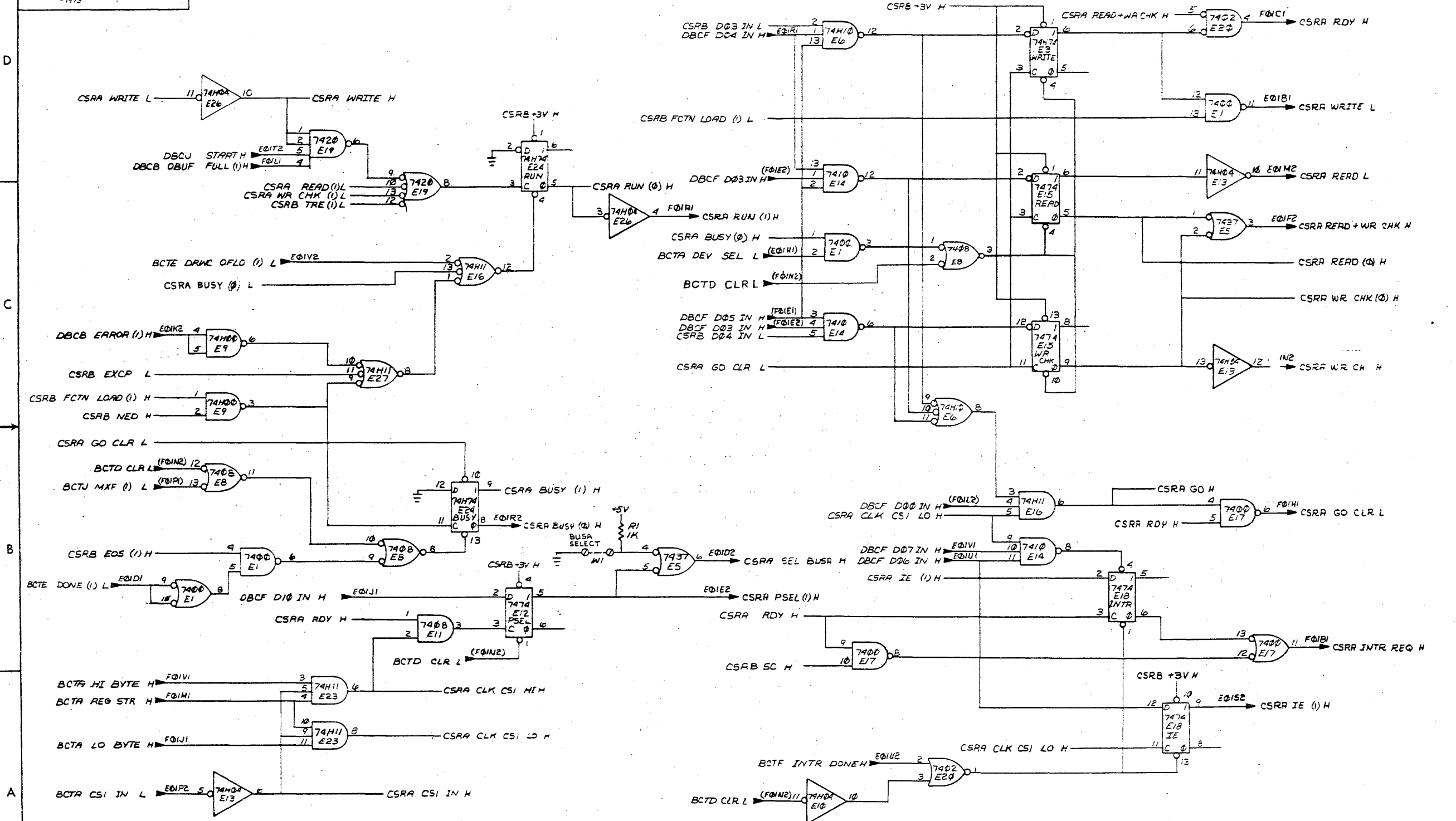
DEC NO.	EIA NO.	DEC NO.	EIA NO.

**REVISIONS**

REV	DATE	DESCRIPTION
1	3-15-73	Counter, D
2	5/2/73	
3	7/26/73	
4	7/26/73	

**digital EQUIPMENT CORPORATION**  
 TITLE: CONTROL & STATUS REGS (CSR)  
 NUMBER: M7296-0-1  
 REV: B  
 SCALE: NONE  
 SHEET: 1 OF 3

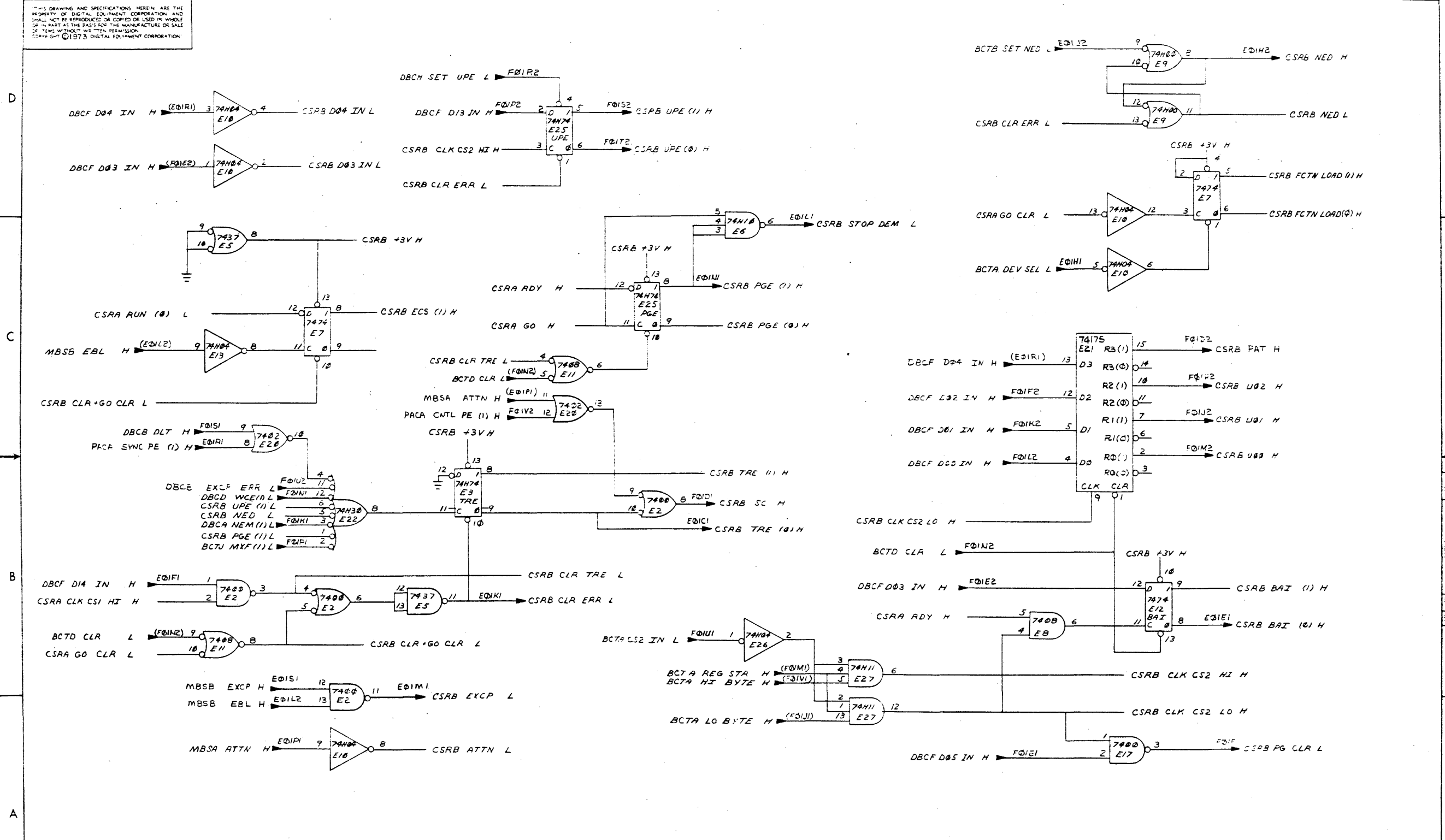
THIS DRAWING AND SPECIFICATIONS HEREIN ARE THE PROPERTY OF DIGITAL EQUIPMENT CORPORATION AND SHALL NOT BE REPRODUCED OR COPIED OR USED IN WHOLE OR IN PART AS THE BASIS FOR THE MANUFACTURE OR SALE OF ITEMS WITHOUT WRITTEN PERMISSION. COPYRIGHT © 1973 DIGITAL EQUIPMENT CORPORATION.



REVISIONS		
CHK	CHANGE NO	REV

TITLE	CONTROL & STATUS REGS. (CSRA)	SIZE CODE	D CS	NUMBER	M7296-0-1	REV.	B
SCALE	NONE	SHEET	2 OF 3	DIST.			

THIS DRAWING AND SPECIFICATIONS HEREIN ARE THE PROPERTY OF DIGITAL EQUIPMENT CORPORATION AND SHALL NOT BE REPRODUCED OR COPIED OR USED IN WHOLE OR IN PART AS THE BASIS FOR THE MANUFACTURE OR SALE OF ITEMS WITHOUT THE WRITTEN PERMISSION OF DIGITAL EQUIPMENT CORPORATION.



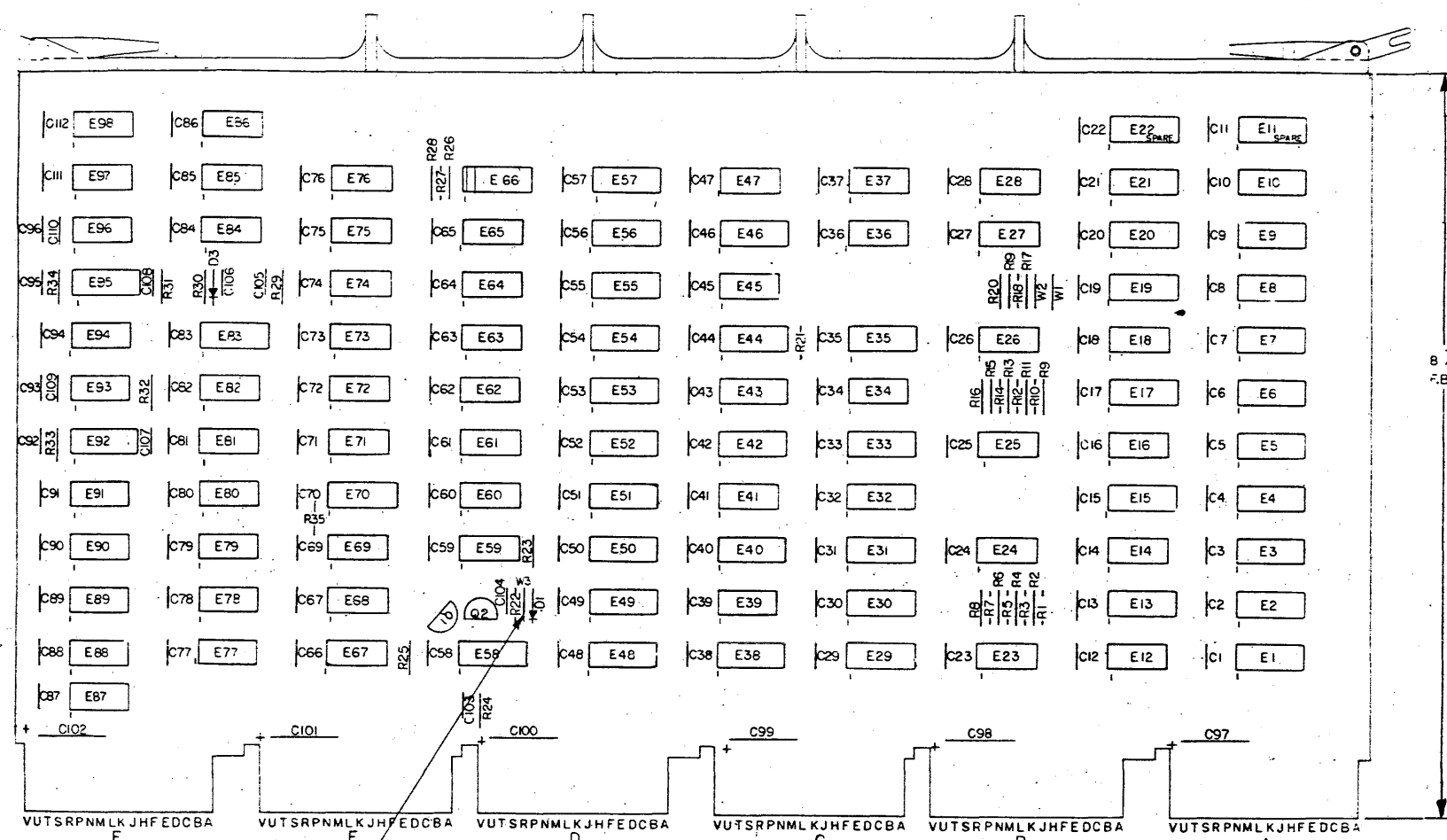
REVISIONS		
CHK	CHANGE NO	REV

ERROR STATUS & CS2 REG

TITLE	CONTROL & STATUS REGS (CSRB)	SIZE/SCALE	NUMBER	REV
			DCS M7296-0-1	B
SCALE	1/8"	SHEET	3 OF 3	DIST

This drawing and specifications herein are the property of Digital Equipment Corporation and shall not be reproduced or copied in whole or in part as the basis for the manufacture of any product without written permission of Digital Equipment Corporation.

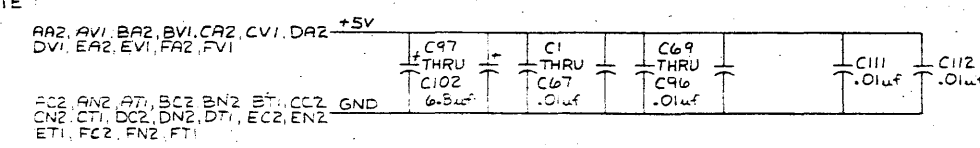
**NOTES:**  
 1. W3 SHOULD NOT BE REMOVED FOR ANY PURPOSE.



IC TYPE	GND	+5V
DEC 8234	8	16
DEC 8341	8	16
DEC 8641	8	16
DEC 7457	8	16
DEC 7474	8	16
DEC 7423	8	16

GND AND 5V ARE USUALLY PIN 7 AND 14 RESPECTIVELY. EXCEPTIONS ARE STATED ABOVE.

**IC PIN LOCATIONS**



REF	DESCRIPTION	PART NO.	ITEM NO.
REF	X-Y COORDINATE HOLE LOCATION	K-00-M7294-B-4	1
REF	ASSEMBLING HOLE LAYOUT	D-MH-M7294-B-5	2
REF	MODULE ECO HISTORY	B-MH-M7294-B-6	3
1	ETCHED CIRCUIT BOARD	5010427	4
1	C105 CAP 39 PF 5% 100V DM	1000010	5
1	C103 CAP 56 PF 5% 100V DM	1000012	5
2	C108, C109 CAP 62 PF 5% 100V DM	1000013	7
1	C107 CAP 220 PF 5% 100V DM	1000021	8
99	C1 THRU C67, C69 THRU C96, C104 CAP .01 UF 20% 100V DISC	1001610-00	9
1	C106 CAP 2400 PF 5% 100V DM	1001636	10
1	C110 CAP 15 PF 5% 100V DM	1002427	11
6	C37 THRU C102 CAP 6 B UF 10% 35V TANT	1005306	12
1	D3 DIODE D664	1100114	13
1	D1 DIODE ZENER 1W9G4B	1109933	14
23	R1 THRU R17, R20, R21, R23, R25, R27, R28 RES 1K 5% 1/4W	1300365	15
2	R22, R30 RES 15K 5% 1/4W	1300496	16
2	R18, R19 RES 750 5% 1/4W	1301401	17
8	R24, R25, R29, R31, THRU R35 RES 5 6K 5% 1/4W	1301874	18
1	Q2 TRANS 2N3906	1509525	19
1	Q1 TRANS 2N5455	1509374	20
1	E66 I.C. COMPONENT CARRIER	1211323	21
1	E73 I.C. DEC 7474	1905547	22
1	E79 I.C. DEC 7410	1905576	23
2	E76, E77 I.C. DEC 74H50	1909060	24
2	E67, E86 I.C. DEC 74H53	1909062	25
3	E71, E78, E69 I.C. DEC 7402	1909004	26
4	E27, E75, E96, E98 I.C. DEC 7400C	1909056	27
2	E94, E97 I.C. DEC 74H10	1909057	28
2	E59, E62 I.C. DEC 74K0C	1909059	29
3	E68, E23, E84 I.C. DEC 74H11	1909267	30
6	E36, E37, E60, E61, E65, E67 I.C. DEC 74H74	1909667	31
5	E12, E14, E16, E18, E88 I.C. DEC 8881	1909705	32
5	E34, E39, E41, E45, E47 I.C. DEC 8242	1909712	33
8	E23 THRU E26, E51, E74, E82, E81 I.C. DEC 74H04	1909931	34
2	E54, E65 I.C. DEC 74191	1910035	35
1	E63 I.C. GEL 7457	1910091	36
2	E80, E90 I.C. DEC 7408	1910155	37
5	E58, E70, E83, E92, E95 I.C. DEC 74123	1910436	38
6	E38, E42, E44, E50, E53, E56 I.C. DEC 74174	1910652	39
11	E2, E4, E6, E8, E10, E21, E43, E49, E51, E55, E57 I.C. DEC 74157	1910655	40
10	E1, E3, E5, E7, E9, E13, E15, E17, E19, E20 I.C. DEC 864	1911579	41
6	E29 THRU E33, E35 I.C. DEC 8234	1911315	42
5	E40, E46, E48, E52, E54 I.C. DEC 3341	2111188	43
1	HANDLE MODULE	1210711-2	44
12	EYELET	9006732	45
1	E72 IC DEC 74500	1910532	46
1	E69 IC DEC 74554	1910542	47
1	E93 IC DEC 74574	1910544	48
	TRANSISTOR CAP	9008561	49
	RESISTOR CAP	9009157	50
3	W1, W2, W3 JUMPER, INSULATED	9009185	51
2	(SEE E66) JUMPER WIRE	9107560-01	52

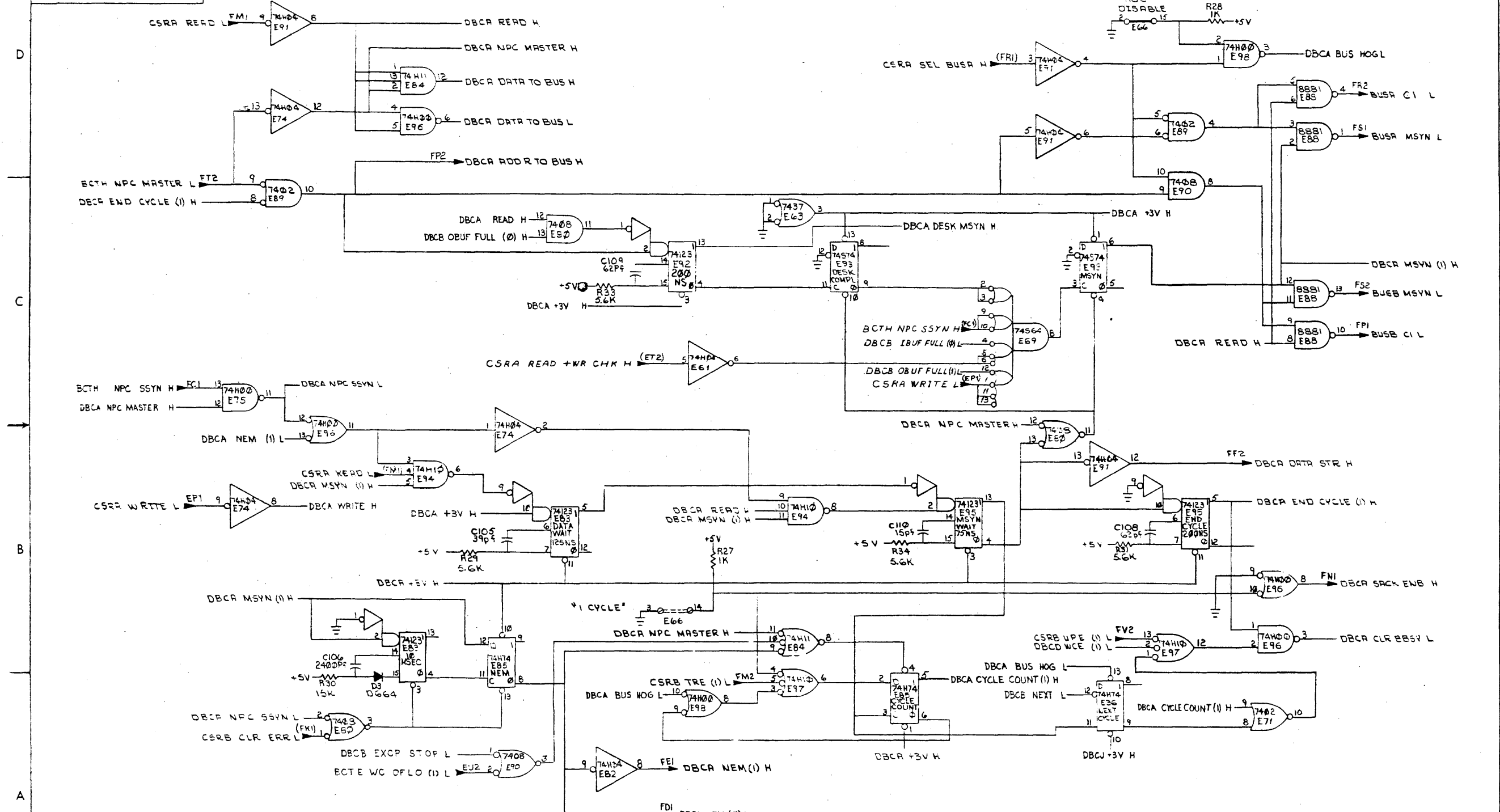
DEC NO.	EIA NO.	DEC NO.	EIA NO.
DEC 8234	8	DEC 8341	8
DEC 8641	8	DEC 7457	8
DEC 7474	8	DEC 7423	8

**SEMICONDUCTOR CONVERSION CHART**

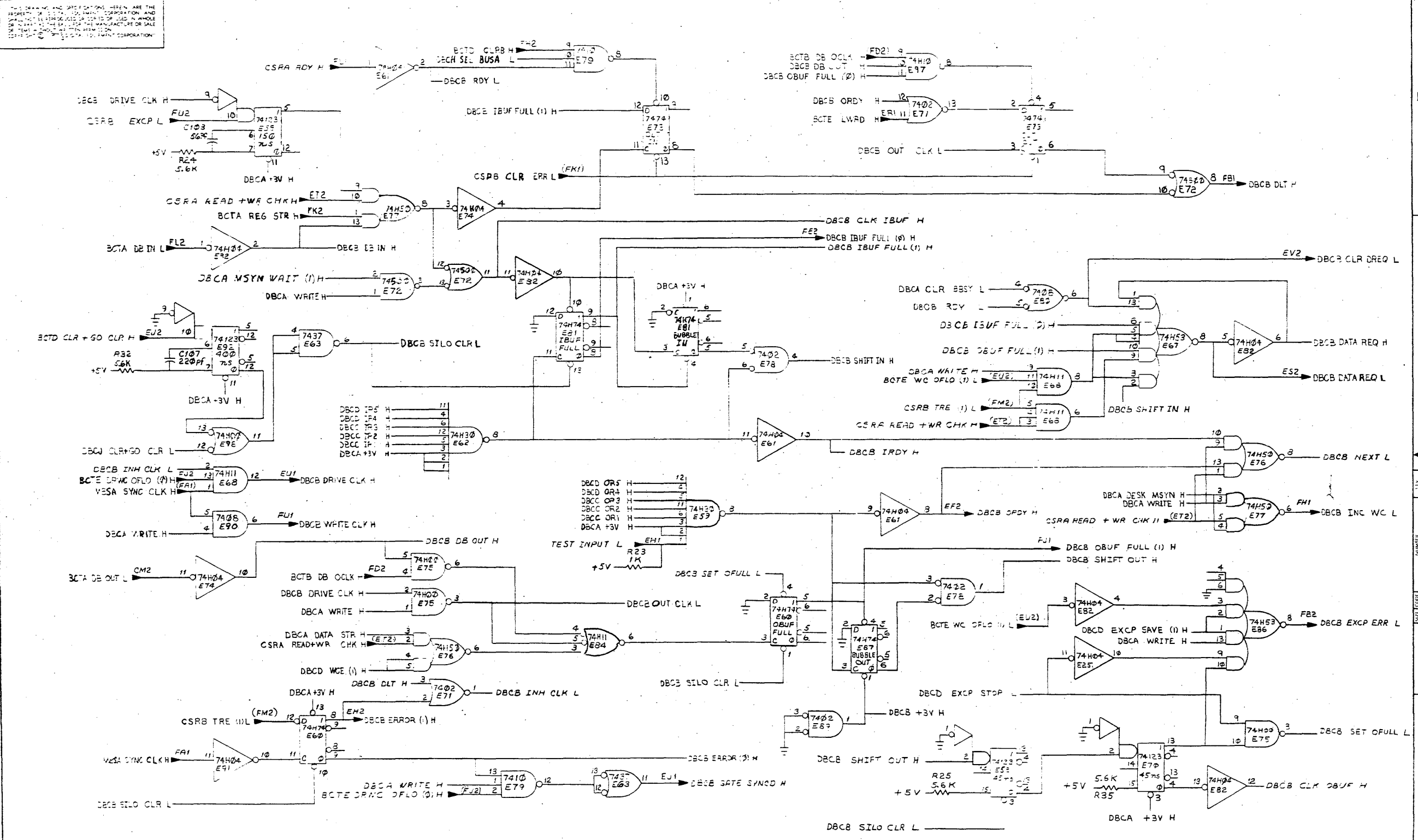
DATE: 7/27/73  
 TITLE: DATA BUFFER & CONTROL (DBC)  
 NUMBER: M7294-0-1  
 REV: K

BRUNING 40-22 16599  
 DEC 1968 INC  
 DRD-135A

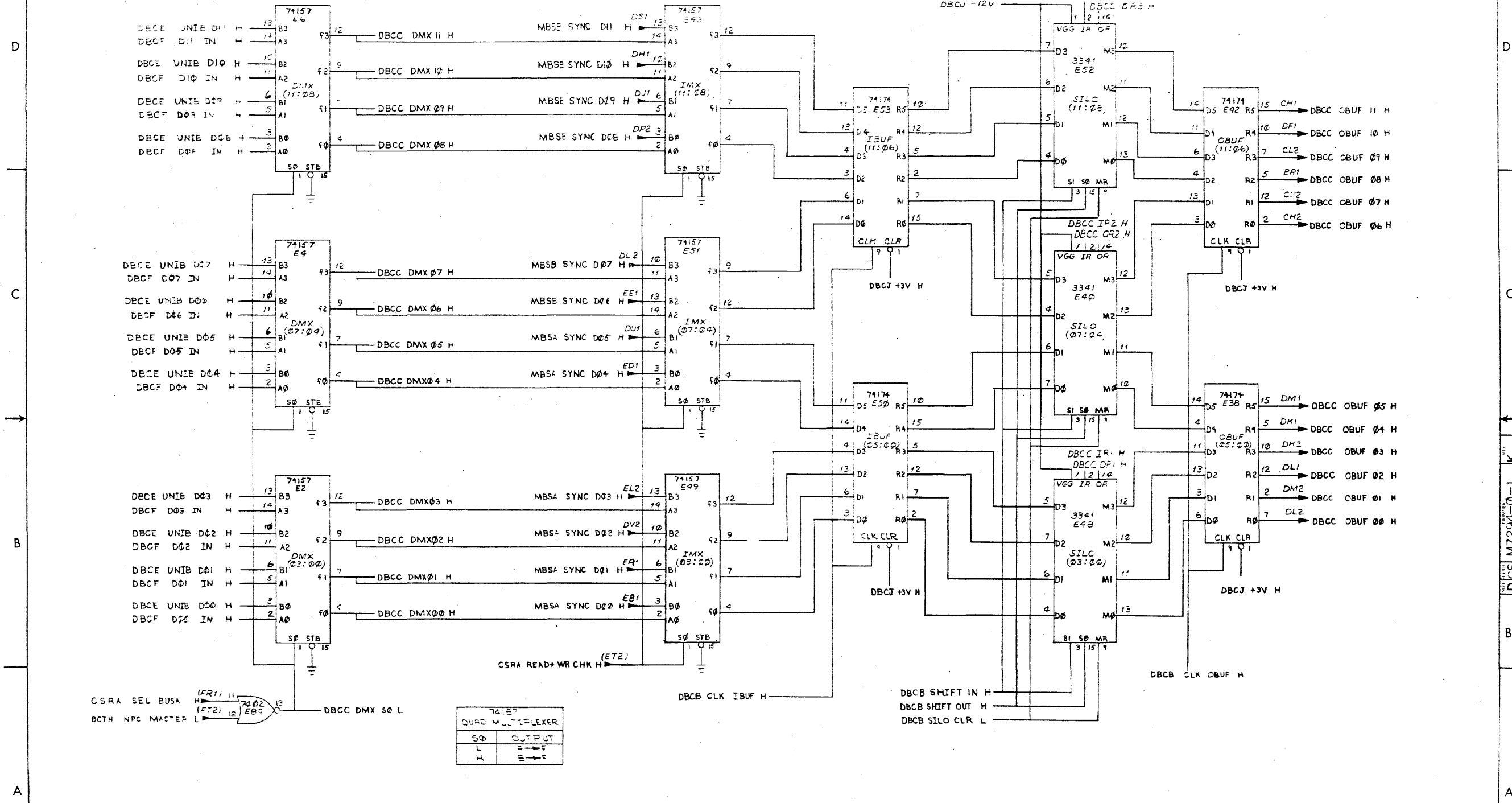
ALL DRAWINGS AND SPECIFICATIONS HEREIN ARE THE PROPERTY OF THE TITUS ELECTRONIC CORPORATION AND SHALL NOT BE REPRODUCED OR COPIED OR USED IN WHOLE OR IN PART AT THE SALES FOR THE MANUFACTURE OR SALE OF ITEMS OR SUBJECT MATTER HEREIN WITHOUT THE WRITTEN PERMISSION OF THE TITUS ELECTRONIC CORPORATION.



REVISIONS  
REV. CHANGE NO. REV.



THIS DRAWING AND SPECIFICATIONS HEREIN ARE THE PROPERTY OF DIGITAL EQUIPMENT CORPORATION AND SHALL NOT BE REPRODUCED OR COPIED OR USED IN WHOLE OR IN PART AS THE BASIS FOR THE MANUFACTURE OF ANY OF THEIR PRODUCTS WITHOUT THE WRITTEN PERMISSION OF DIGITAL EQUIPMENT CORPORATION.



74157	
QUAD MULTIPLEXER	
S0	OUTPUT
L	0 → F
H	1 → F

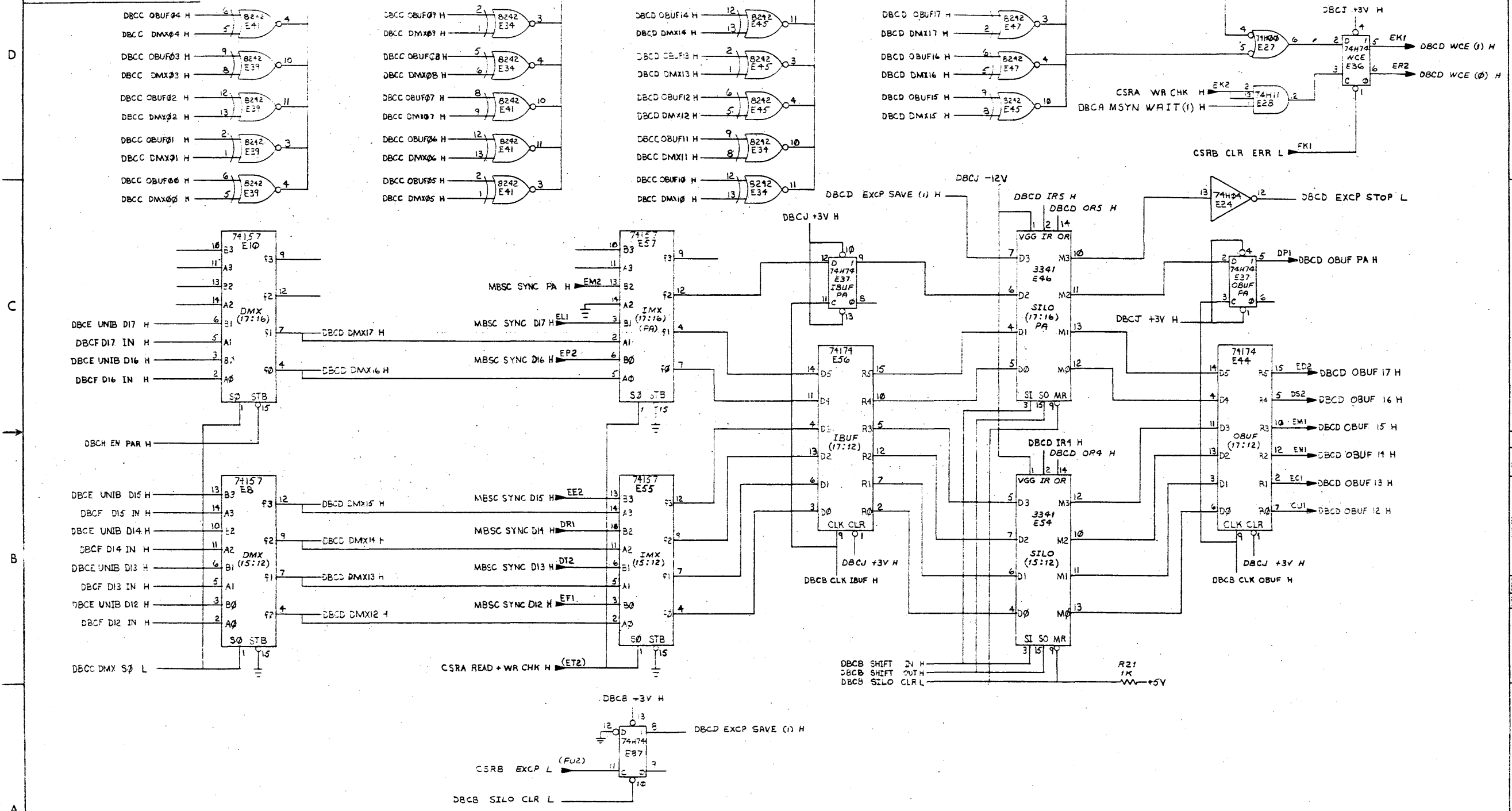
REVISIONS		
CHK	CHANGE NO	FE

SLOT 23  
SILC DATA PATH <11:00>

CONTROL BUFFER & CONTROL (DBCC)	SIZE/NO	NUMBER	REV.
DCS M7294-0-1	DCS	M7294-0-1	1
SCALE NONE	SHEET 4 OF 9	DIST	



THIS DRAWING AND SPECIFICATIONS HEREIN ARE THE PROPERTY OF DIGITAL EQUIPMENT CORPORATION AND SHALL NOT BE REPRODUCED OR COPIED OR USED IN WHOLE OR IN PART AS THE BASIS FOR THE MANUFACTURE OR SALE OF ANY EQUIPMENT WITHOUT WRITTEN PERMISSION OF DIGITAL EQUIPMENT CORPORATION.



REV.	NO.	DATE

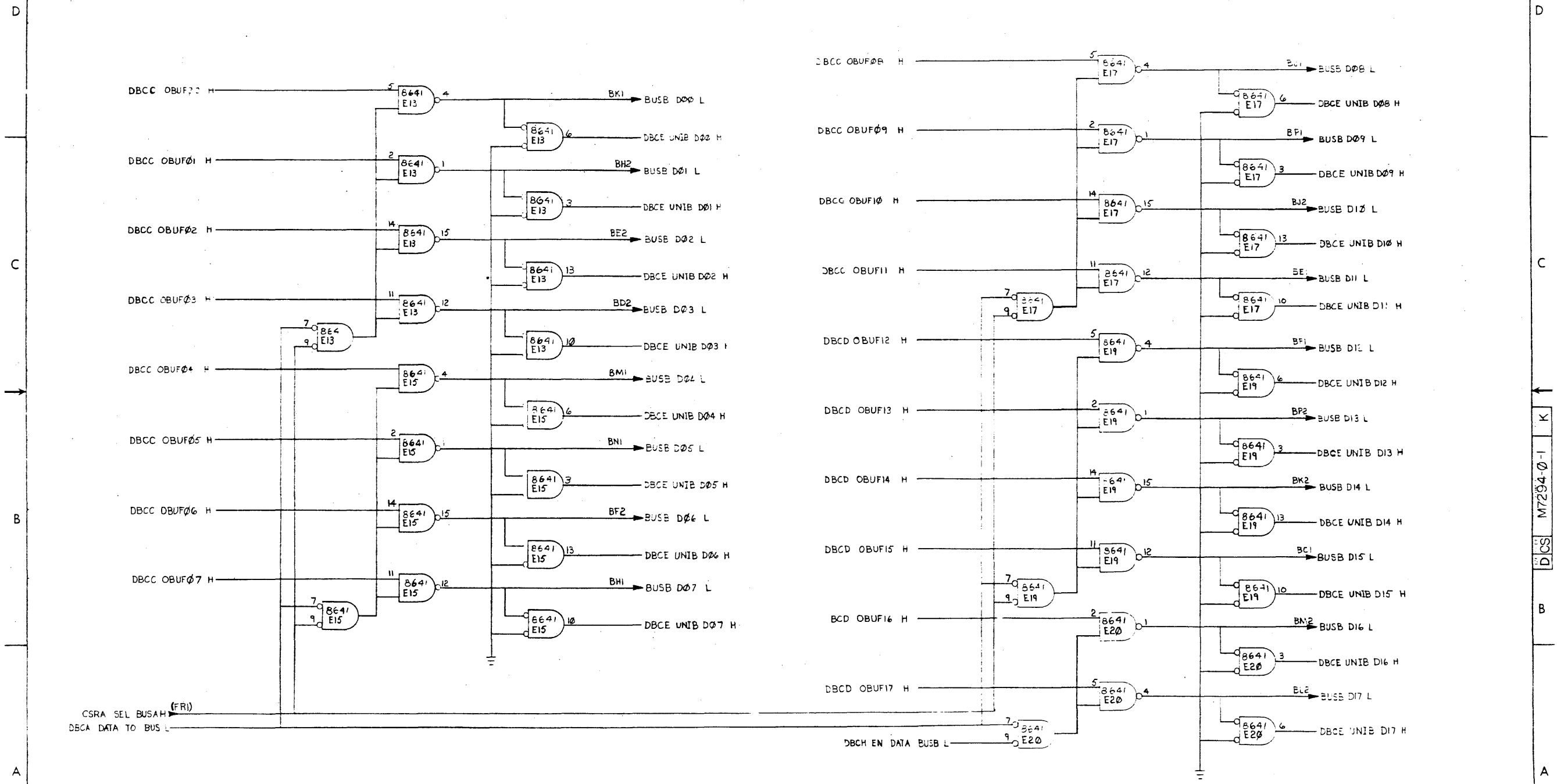
CHK.	CHANGE NO.	REV.

SLOT 03  
SILO DATA PATH <17:12> WRITE CHECK

TITLE DATA BUFFER & CONTROL (DBCD) SIZECODE DICS NUMBER M7294-0-1 REV. K

SCALE NONE SHEET 5 OF 5 DIST

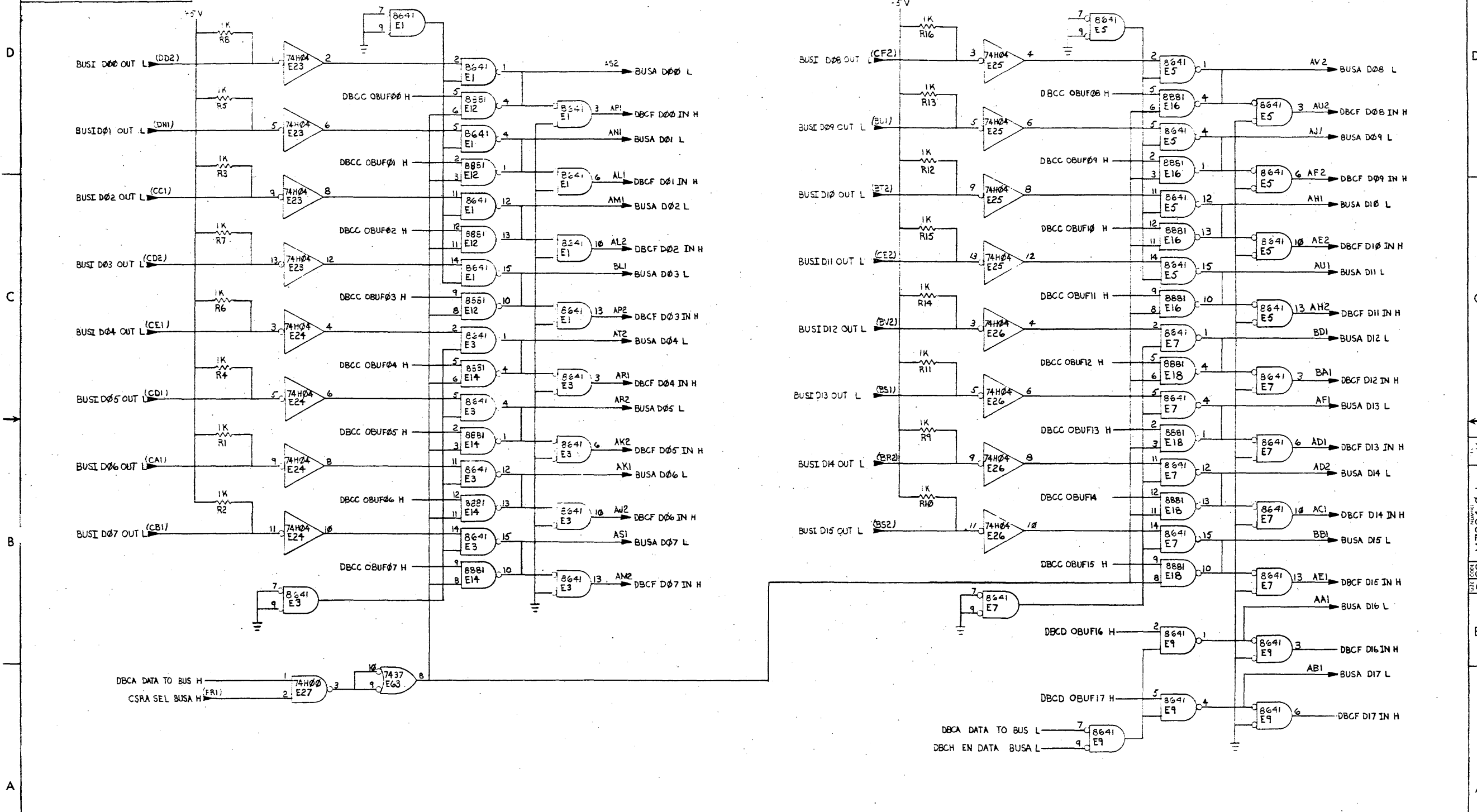
THIS DRAWING AND SPECIFICATIONS HEREIN ARE THE PROPERTY OF DIGITAL EQUIPMENT CORPORATION, AND SHALL NOT BE REPRODUCED OR COPIED OR USED IN WHOLE OR IN PART AS THE BASIS FOR THE MANUFACTURE OF SUCH DEVICES WITHOUT WRITTEN PERMISSION. COPYRIGHT © 1973 DIGITAL EQUIPMENT CORPORATION.



REVISIONS		
CHG	CHANGE NO	REV

SLOT 03  
 UNIBUS B DATA TRANSCEIVERS  
 TITLE DATA BUFFER CONTROL (DBCE)  
 SCALE NONE SHEET 6 OF 9 DIST TW 1  
 NUMBER M7294-0-1 REV K

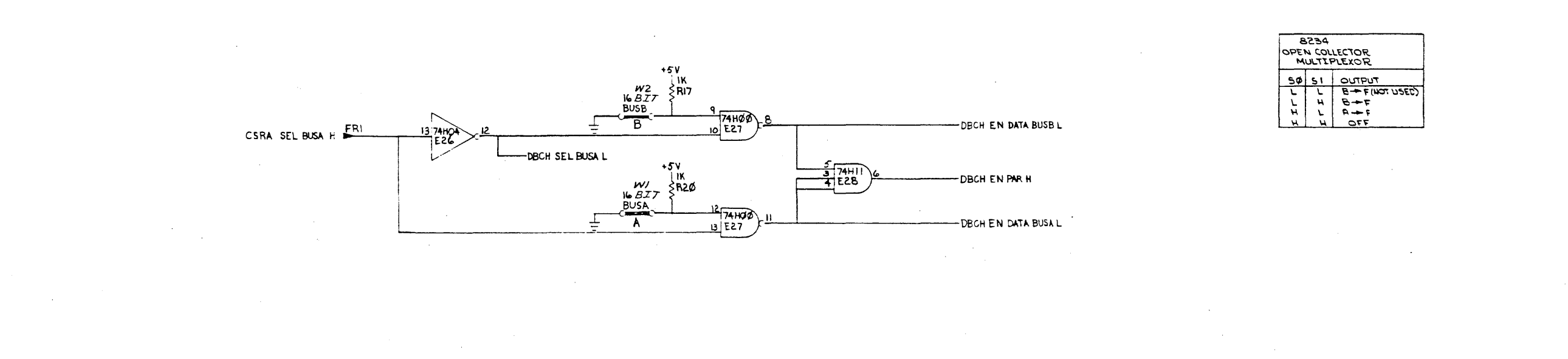
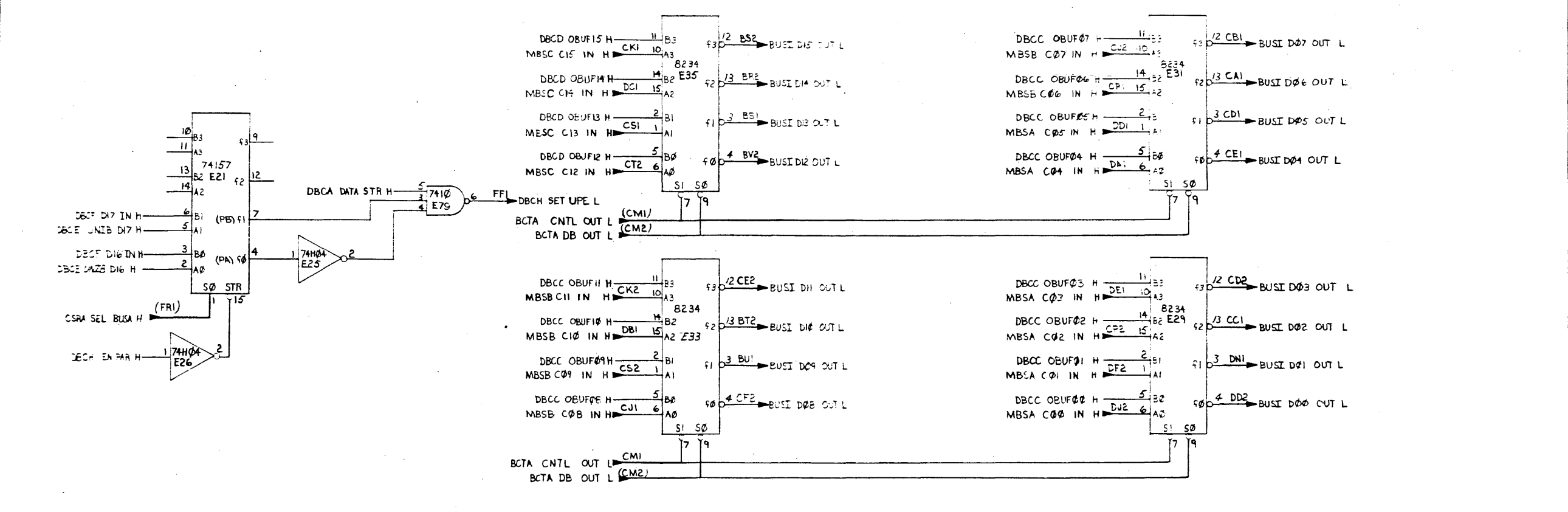
THIS DRAWING AND SPECIFICATIONS HEREIN ARE THE PROPERTY OF DIGITAL EQUIPMENT CORPORATION AND SHALL NOT BE REPRODUCED OR COPIED OR USED IN WHOLE OR IN PART AS THE BASIS FOR THE MANUFACTURE OR SALE OF ITEMS WITHOUT WRITTEN PERMISSION. COPYRIGHT © 1973 DIGITAL EQUIPMENT CORPORATION.



REVISIONS		
CHK	CHANGE NO.	REV.

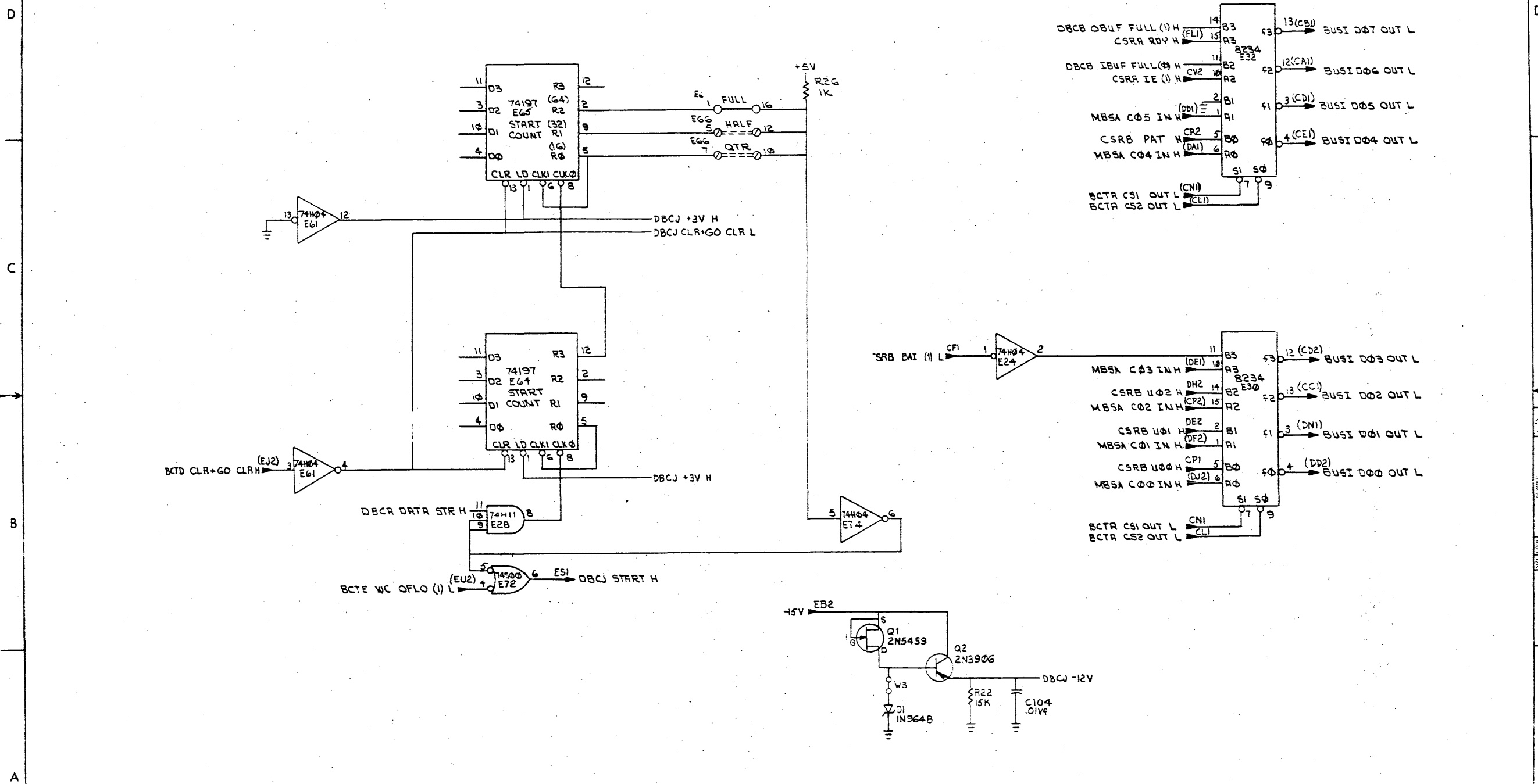
SLOT 03  
UNIBUS A DATA TRANSCIVERS  
TITLE DATA BUFFER & CONTROL (DBCF) SIZE CODE NUMBER REV.  
DCS M7294-01 K  
SCALE NONE SHEET 7 OF 9 DIST. TW 1

THIS DRAWING AND SPECIFICATIONS HEREIN ARE THE PROPERTY OF DIGITAL EQUIPMENT CORPORATION AND SHALL NOT BE REPRODUCED OR COPIED IN WHOLE OR IN PART WITHOUT THE WRITTEN PERMISSION OF DIGITAL EQUIPMENT CORPORATION.



8234 OPEN COLLECTOR MULTIPLEXOR		
S0	S1	OUTPUT
L	L	B-F (NOT USED)
L	H	A-F
H	L	A-F
H	H	OFF

THIS DRAWING AND SPECIFICATIONS HEREIN ARE THE PROPERTY OF DIGITAL EQUIPMENT CORPORATION AND SHALL NOT BE REPRODUCED OR COPIED OR USED IN WHOLE OR IN PART AS THE BASIS FOR THE MANUFACTURE OR SALE OF ITEMS WITHOUT WRITTEN PERMISSION. COPYRIGHT © 1973 DIGITAL EQUIPMENT CORPORATION



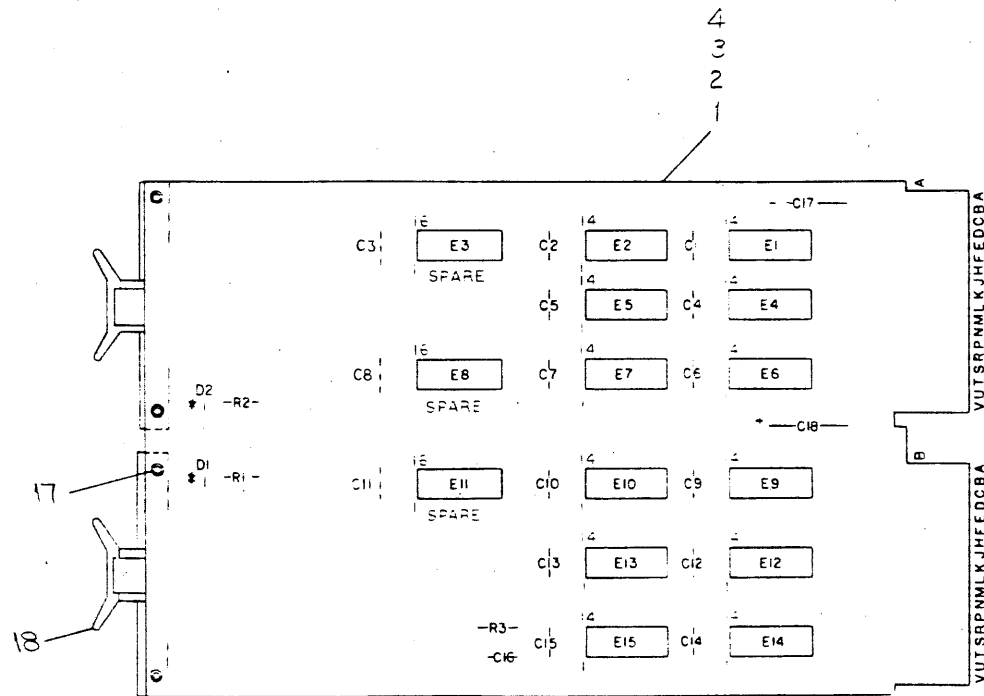
REVISIONS		
CHK	CHANGE NO	REV

SLOT 03  
 START CNTL & DATA OUT MPXS

no specifications herein are the property of Digital Equipment Corporation and shall not be copied or used in whole or in part in the manufacture or sale of items without prior written permission of Digital Equipment Corporation.

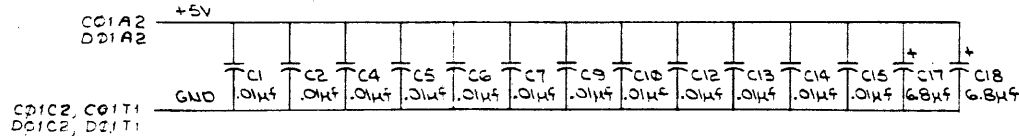
**NOTES:**

- PIN NOTATION THROUGHOUT IS ORDERED UPON MODULE PLACEMENT IN THE RH11. MODULE PIN REFERENCE ALONE IS OBTAINED BY DELETING THE NUMBER (SLCT LOCATION) AFTER THE FIRST LETTER AND CONVERTING THE FIRST LETTER ACCORDING TO THE PIN NOMENCLATURE CHART AT RIGHT.
- C3, C8, C11, E3, E8 & E11 ARE SPARE COMPONENT SLOTS.



**PIN NOMENCLATURE**

MODULE	RH11
A	C
B	D



REF	XY COORDINATE	HOLE LOCATION	ITEM NO.
REF		ASSY/DRILLING HOLE LAYOUT	D-RH-MT297-0-5 2
REF		MODULE ECO HISTORY	B-RH-MT297-0-6 3
REF		ETCHED CIRCUIT BOARD	5010504 4
12	C1,C2,C4,C5,C6,C7,C9,C10,C12,C13,C14,C15	CAP. .01uF, 20%, 50V DISC	1001610-00 5
1	C16	CAP. 27pF, 5%, 100V MICA	1001739 6
2	C17,C18	CAP. 6.8uF, 10%, 35V S.TANT	1005306 7
2	D1,D2	DIODE LED	1110864 8
1	R3	RES. 1K, 5%, 1/4W	1300365 9
2	R1,R2	RES. 390, 5%, 1/4W	1300309 10
1	E7	IC DEC 74H06	1909056 11
1	E5	IC DEC 74H10	1909057 12
1	E10	IC DEC 74H74	1909067 13
1	E15	IC DEC 8881	1909105 14
1	E13	IC DEC 74H04	1909931 15
7	E1,E2,E4,E6,E9,E12,E14	IC DEC 74180	1910724 16
4		EYELET	9006732 17
2		HANDLE, FLIP-CHIP (MAGENTA)	9008337-6 18

QTY	REF DESIGNATION	DESCRIPTION	PART NO.	ITEM NO.
	RH11	ETCH BOARD REV B		

DATE	DATE	DATE	DATE	DATE	DATE
DESIGNED	DATE	DATE	DATE	DATE	DATE
ENGR	DATE	DATE	DATE	DATE	DATE
PROD ENGR	DATE	DATE	DATE	DATE	DATE
PROD	DATE	DATE	DATE	DATE	DATE

digital EQUIPMENT CORPORATION  
MAYNARD, MASSACHUSETTS

TITLE: PARITY CONTROL (PAC)

SCALE: NONE

SIZE CODE: DCS M7297-0-1

NUMBER: A

REV: A

CHK	CHANGE NO.	REV

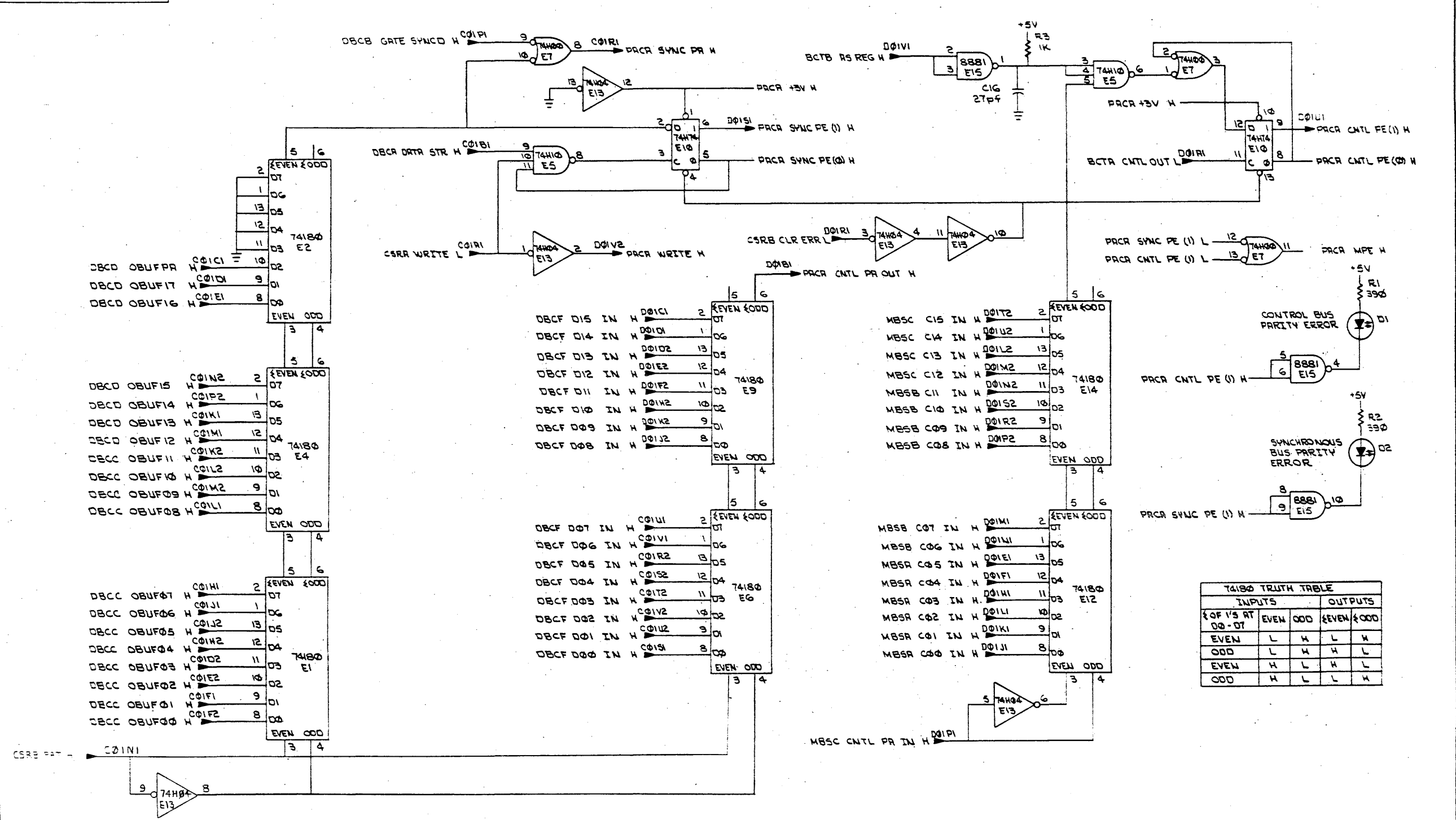
IC TYPE	GND	+5V

GND AND 5V ARE USUALLY PIN 7 AND 14 RESPECTIVELY. EXCEPTIONS ARE STATED ABOVE.

IC PIN LOCATIONS

DEC FORM NO. 100-1354

THIS DRAWING AND SPECIFICATIONS HEREIN ARE THE PROPERTY OF DIGITAL EQUIPMENT CORPORATION AND SHALL NOT BE REPRODUCED OR COPIED OR USED IN WHOLE OR IN PART AS THE BASIS FOR THE MANUFACTURE OR SALE OF ITEMS WITHOUT WRITTEN PERMISSION. COPYRIGHT © 1975 DIGITAL EQUIPMENT CORPORATION

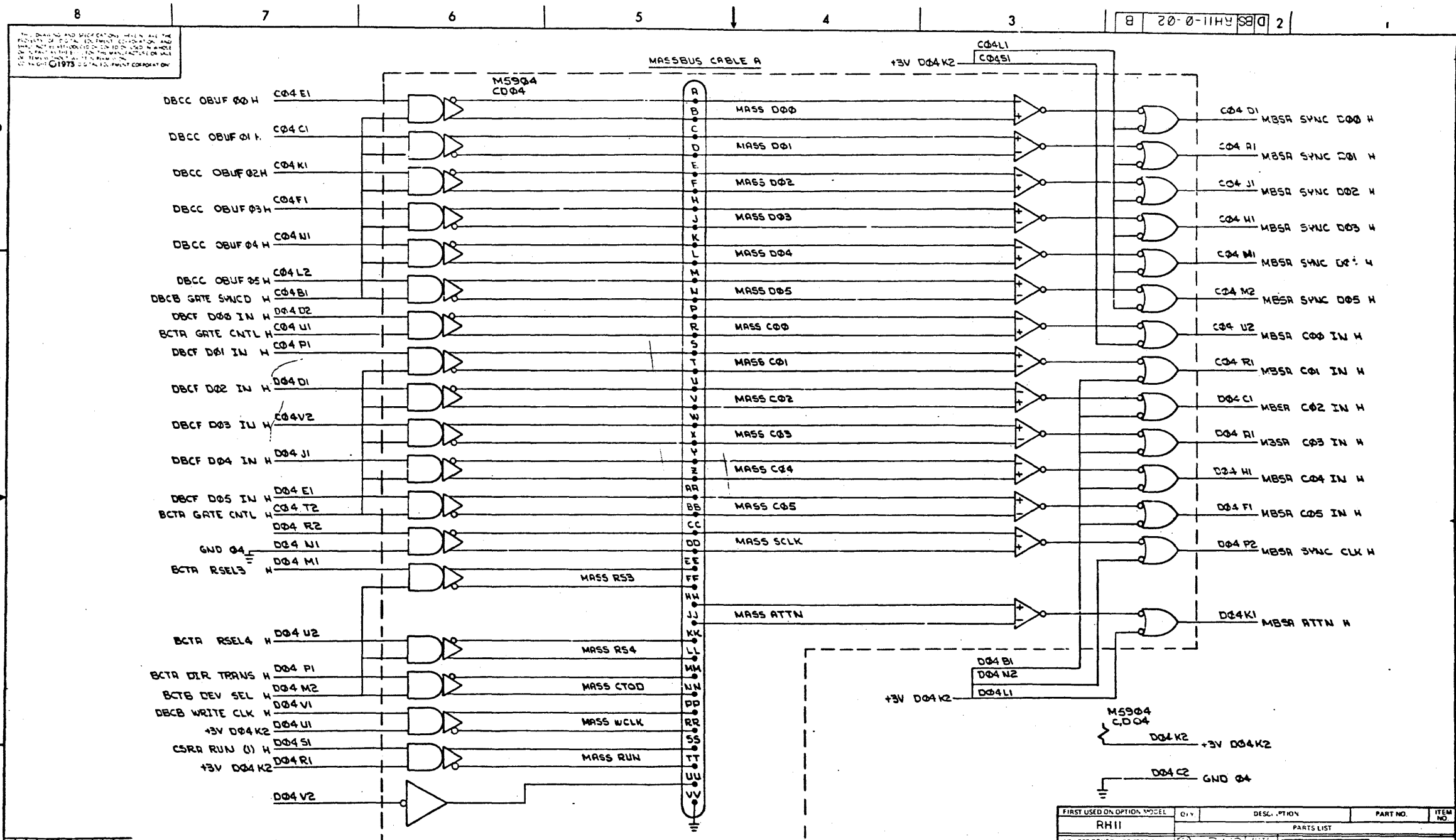


74180 TRUTH TABLE

# OF 1'S AT 00-07	INPUTS		OUTPUTS	
	EVEN	ODD	ΣEVEN ΣODD	ΣEVEN ΣODD
EVEN	L	H	L	H
ODD	L	H	H	L
EVEN	H	L	H	L
ODD	H	L	L	H

REVISIONS

CHK	CHANGE NO	REV

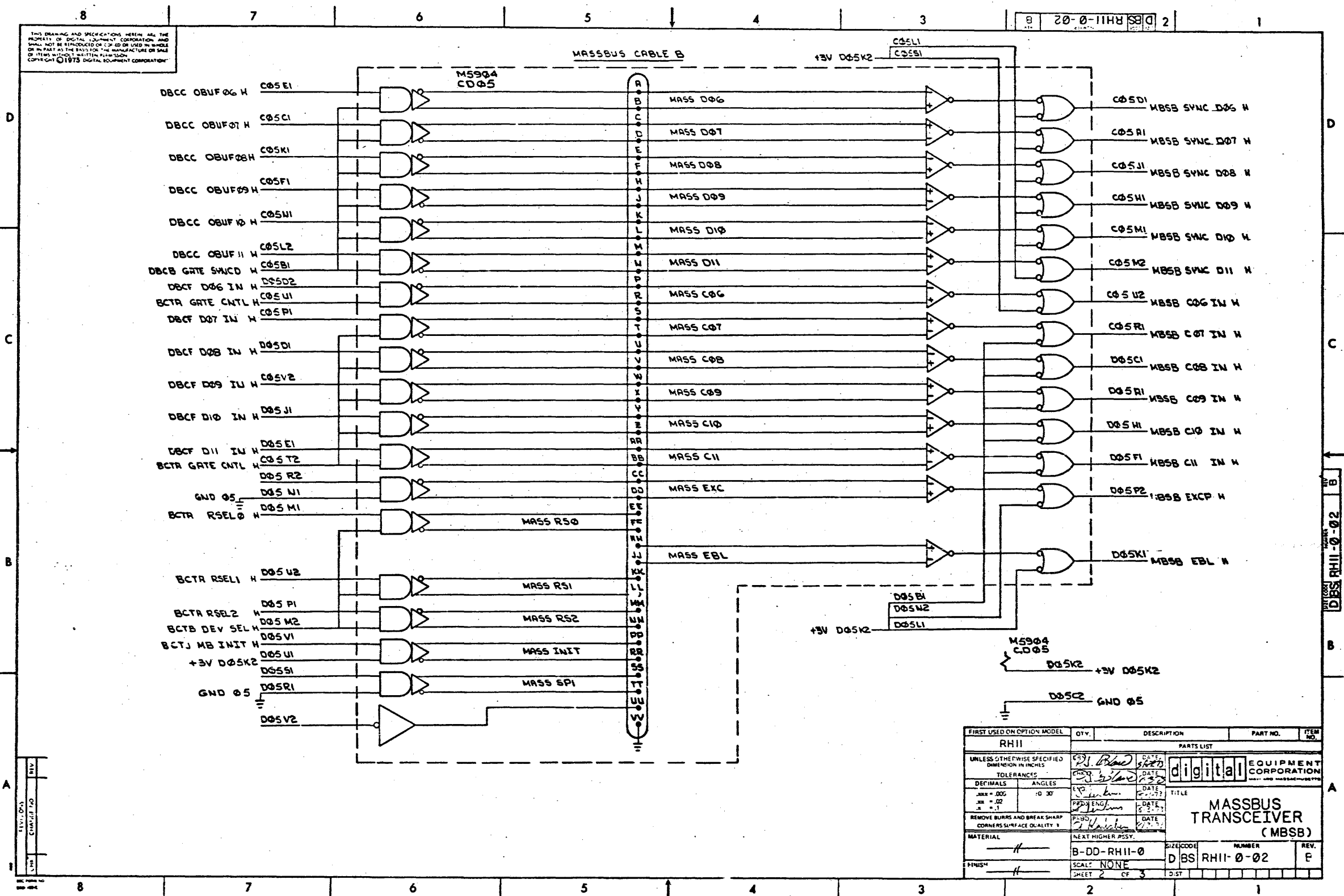


1	PHILIP	11-20-73
2	S. JENKINS	11-20-73
3	177	11-20-73
4	177	11-20-73
5	177	11-20-73
6	177	11-20-73
7	177	11-20-73
8	177	11-20-73

FIRST USED ON OPTION MODEL	QTY	DESCRIPTION	PART NO.	ITEM NO.
RH11				
UNLESS OTHERWISE SPECIFIED DIMENSION IN INCHES				
TOLERANCES				
DECIMALS	ANGLES	DATE	PARTS LIST	
0.005	0.00	11-20-73	digital EQUIPMENT CORPORATION	
0.01		11-20-73	CORPORATION	
0.02		11-20-73	177	
0.05		11-20-73	177	
0.1		11-20-73	177	
REMOVE BURRS AND BREAK SHARP CORNERS SURFACE QUALITY B				
MATERIAL		TEXT NUMBER ASSY.		
#		B-DD-RH11-0		
FINISH		SCALE NONE		
H		D BS RH11-0-02		
		REV. B		
		DIST		

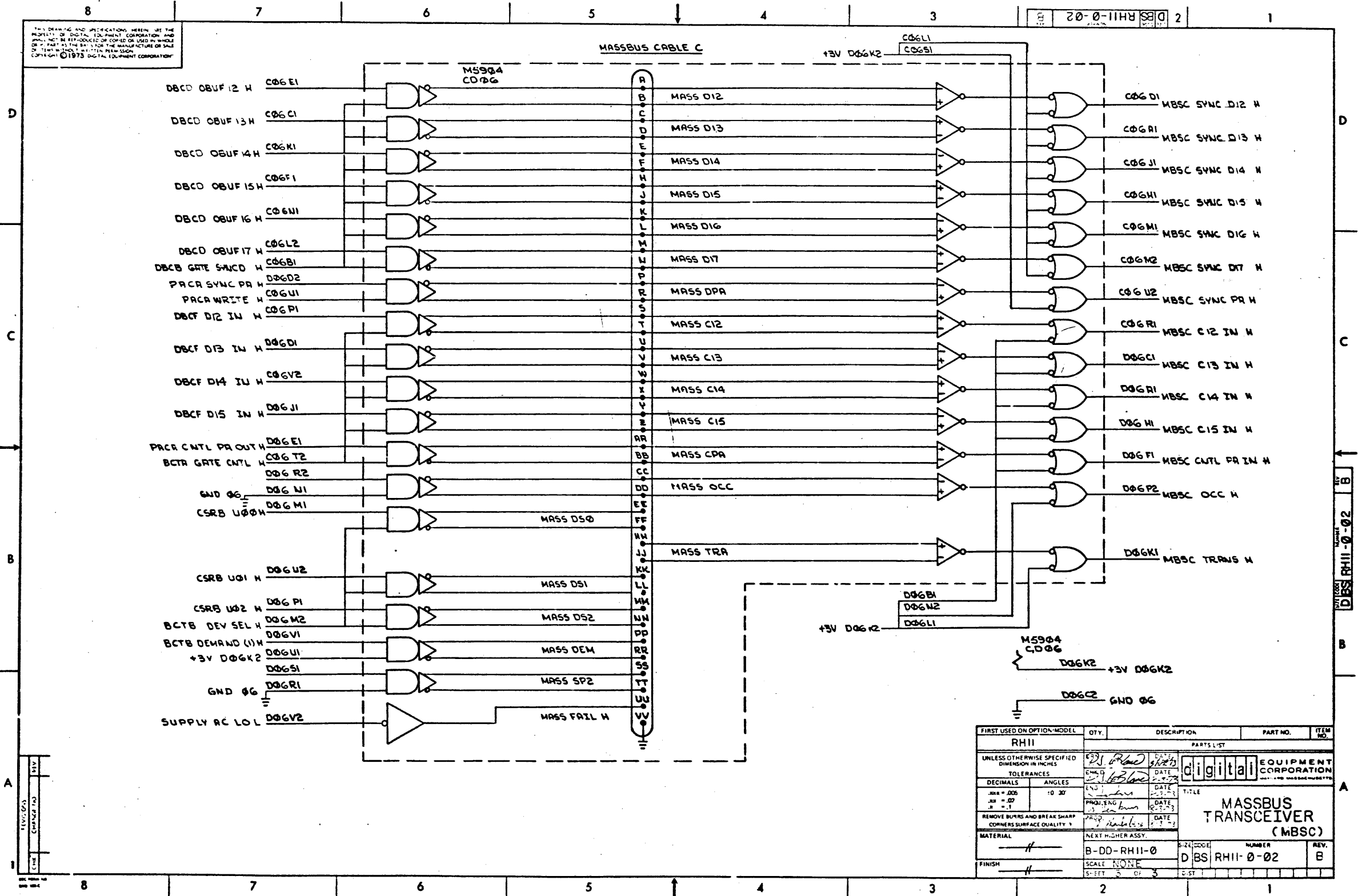
D BS RH11-0-02





THIS DRAWING AND SPECIFICATIONS HEREIN ARE THE PROPERTY OF DIGITAL EQUIPMENT CORPORATION AND SHALL NOT BE REPRODUCED OR COPIED OR USED IN WHOLE OR IN PART AS THE BASIS FOR THE MANUFACTURE OR SALE OF ITEMS UNLESS IN WRITING BY THE COMPANY.  
COPYRIGHT © 1973 DIGITAL EQUIPMENT CORPORATION

DBS RHII-0-02

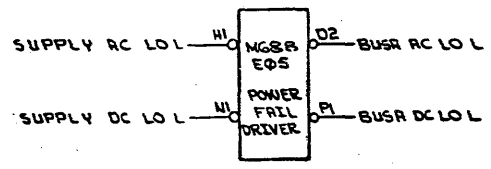
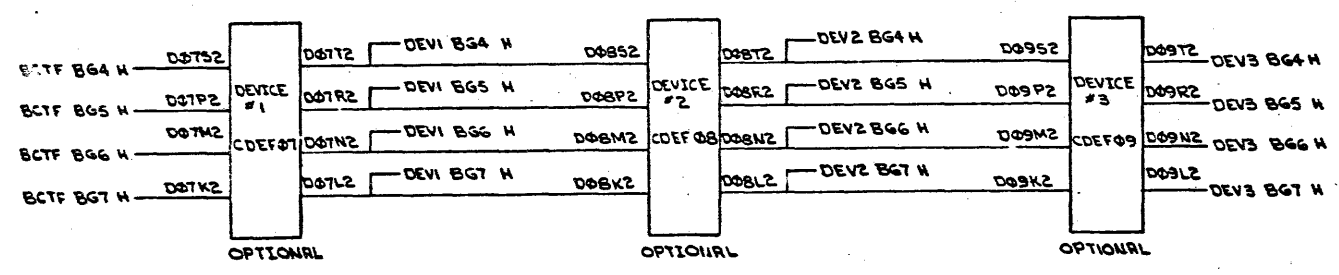
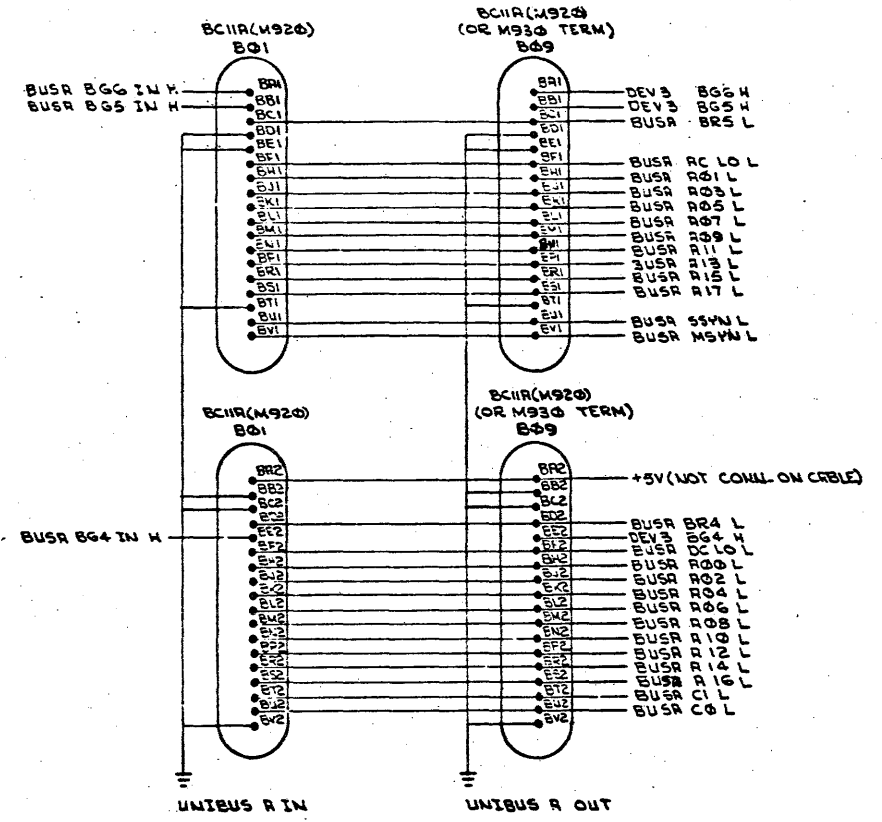
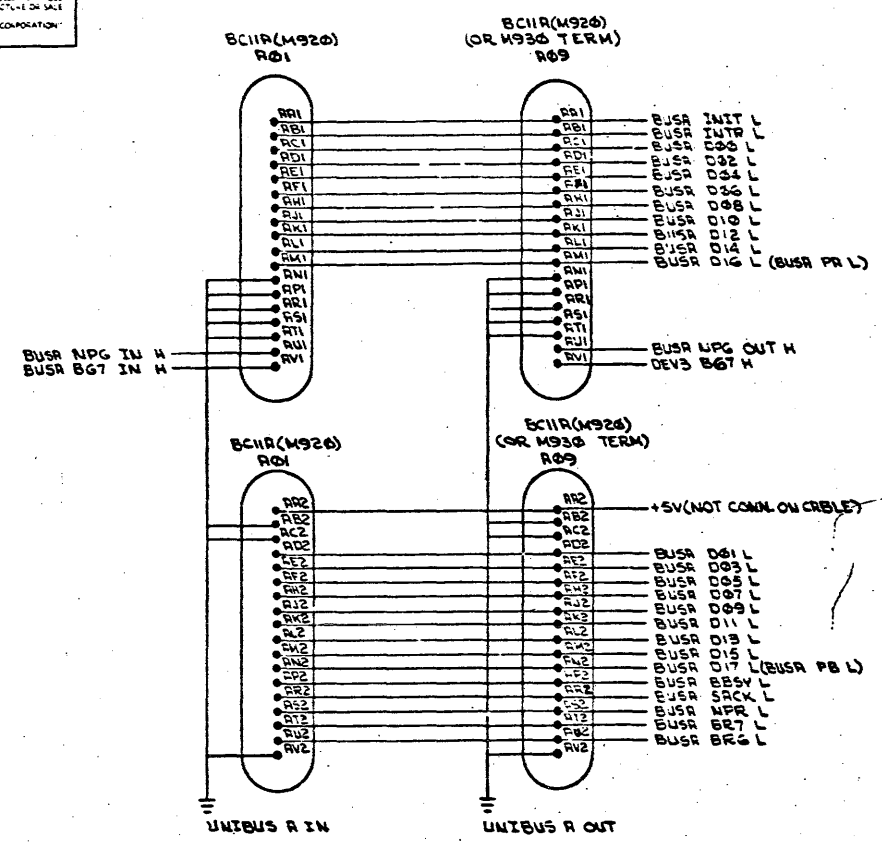


FIRST USED ON OPTION/MODEL	QTY.	DESCRIPTION	PART NO.	ITEM NO.
RHII				
UNLESS OTHERWISE SPECIFIED DIMENSION IN INCHES				
TOLERANCES				
DECIMALS	ANGLES			
.001	± 30'			
.005				
.01				
REMOVE BURRS AND BREAK SHARP CORNERS SURFACE QUALITY 1				
MATERIAL		NEXT HIGHER ASSY.	DATE CODE	NUMBER
H		B-DD-RHII-0	D BS RHII-0-02	B
FINISH		SCALE	SHEET	OF
H		NONE	3	3

MASSBUS TRANSCEIVER (MBSC)

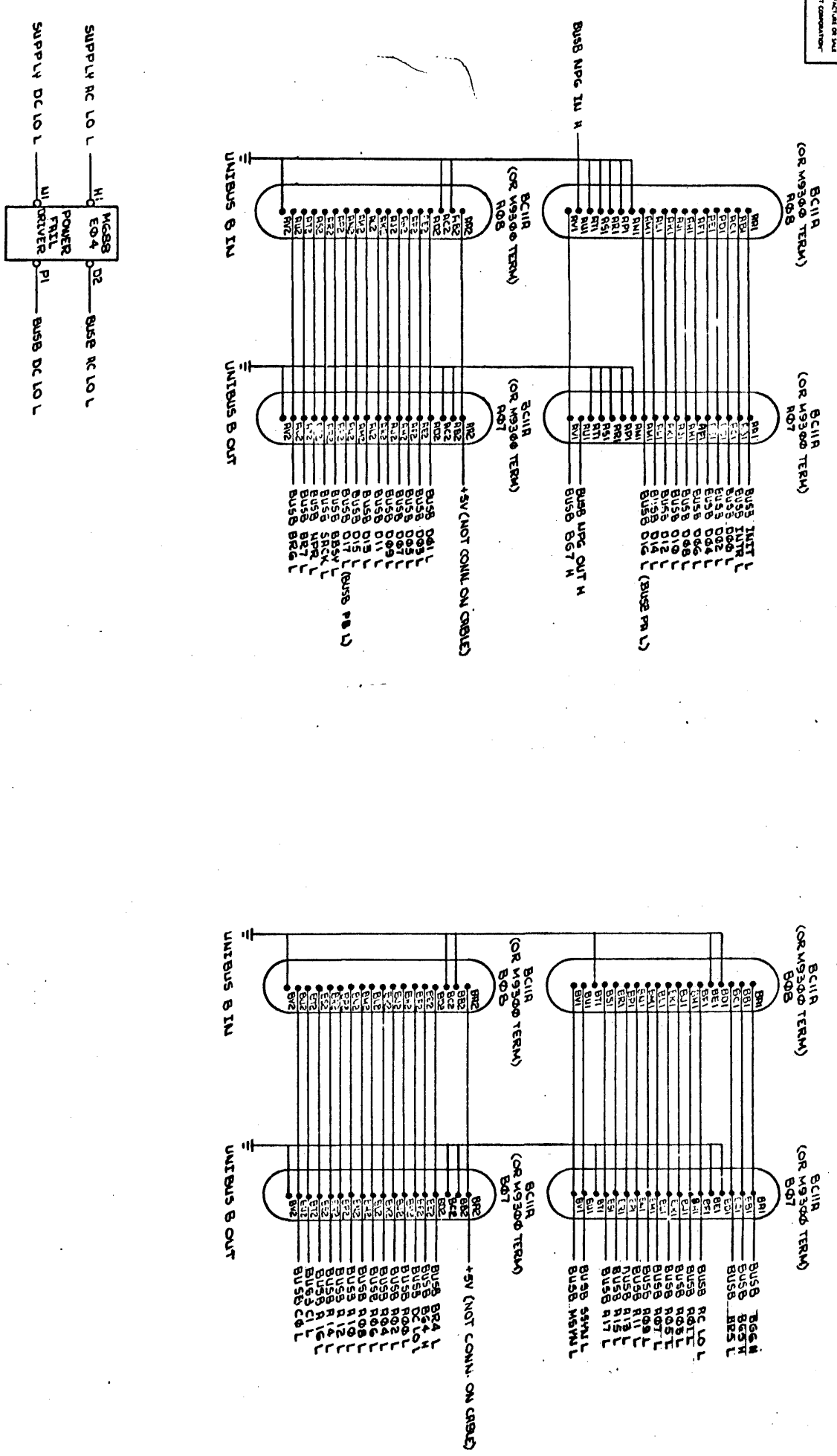
DBS RHII-0-02

THIS DRAWING AND SPECIFICATION, HEREIN, ARE THE PROPERTY OF DIGITAL EQUIPMENT CORPORATION AND SHALL NOT BE REPRODUCED OR COPIED OF ANY KIND OR IN ANY MANNER WITHOUT THE WRITTEN PERMISSION OF DIGITAL EQUIPMENT CORPORATION. © 1975 DIGITAL EQUIPMENT CORPORATION.



FIRST USED ON OPTION MODEL	QTY.	DESCRIPTION	PART NO.	ITEM NO.
RH11		PARTS LIST		
UNLESS OTHERWISE SPECIFIED DIMENSION IN INCHES				
TOLERANCES				
DECIMALS	ANGLES	DATE	PARTS LIST	
.XXX - .005	° 0 30	DATE	TITLE	
.XX - .02		DATE	UNIBUS A CABLE DIAGRAM (BUS A)	
.X - .1		DATE	NUMBER	
REMOVE BURRS AND BREAK SHARP CORNERS SURFACE QUALITY B				
MATERIAL				
#		DATE	REV.	
FINISH				
#		DATE	REV.	

THIS DRAWING AND INFORMATION HEREON, BEING THE PROPERTY OF DIGITAL EQUIPMENT CORPORATION, IS LOANED TO YOU FOR YOUR INFORMATION ONLY. IT IS NOT TO BE REPRODUCED OR COPIED IN ANY MANNER WITHOUT THE WRITTEN PERMISSION OF DIGITAL EQUIPMENT CORPORATION. REV. 01/73 (Digital Equipment Corporation)



FIRST USED ON OPTION MODEL		DT*	DESCRIPTION	PART NO.	TITLE
RH11					
UNLESS OTHERWISE SPECIFIED					
DIMENSIONS IN INCHES					
TOLERANCES					
DECIMALS					
ANGLES					
DIM. ± .006					
HOLE DIA. ± .004					
HOLE POSITION ± .010					
HOLE DRILLING AND FINISHING					
COMPLETES SURFACE QUALITY					
MATERIAL					
NEXT HIGHER ASSY					
SCALE NONE					
FINISH					
DTC RH11-0-04					
REVISION					
REV.					

PARTS LIST		PART NO.	TITLE
UNIBUS B			
CABLE DIAGRAM			
(BUSB)			

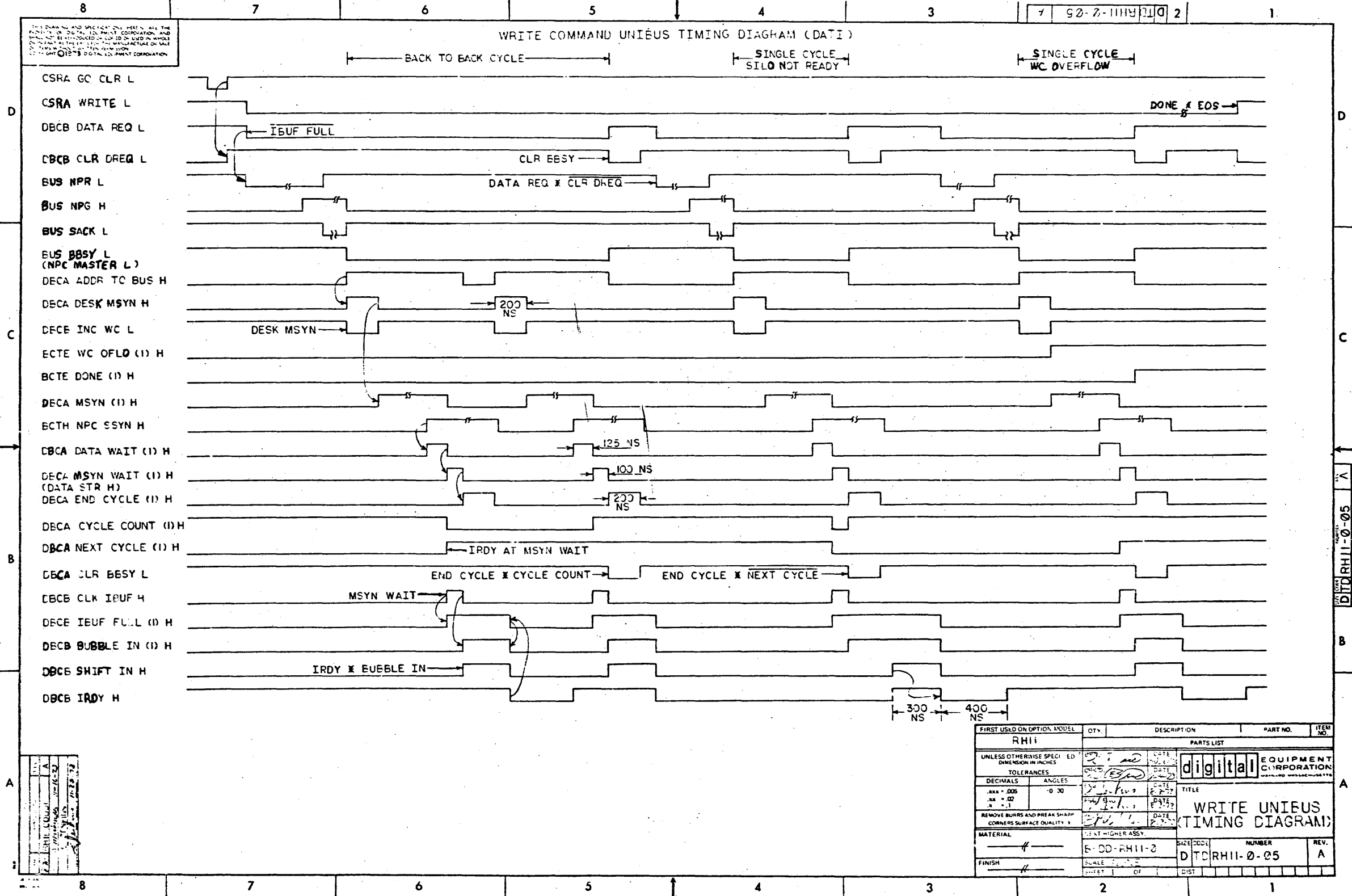
REV.	CHANGED BY	DATE

DICRH11-0-04

70-0-111RH11-0 2

7 60-7-11114 2 1

WRITE COMMAND UNIBUS TIMING DIAGRAM (DATI)

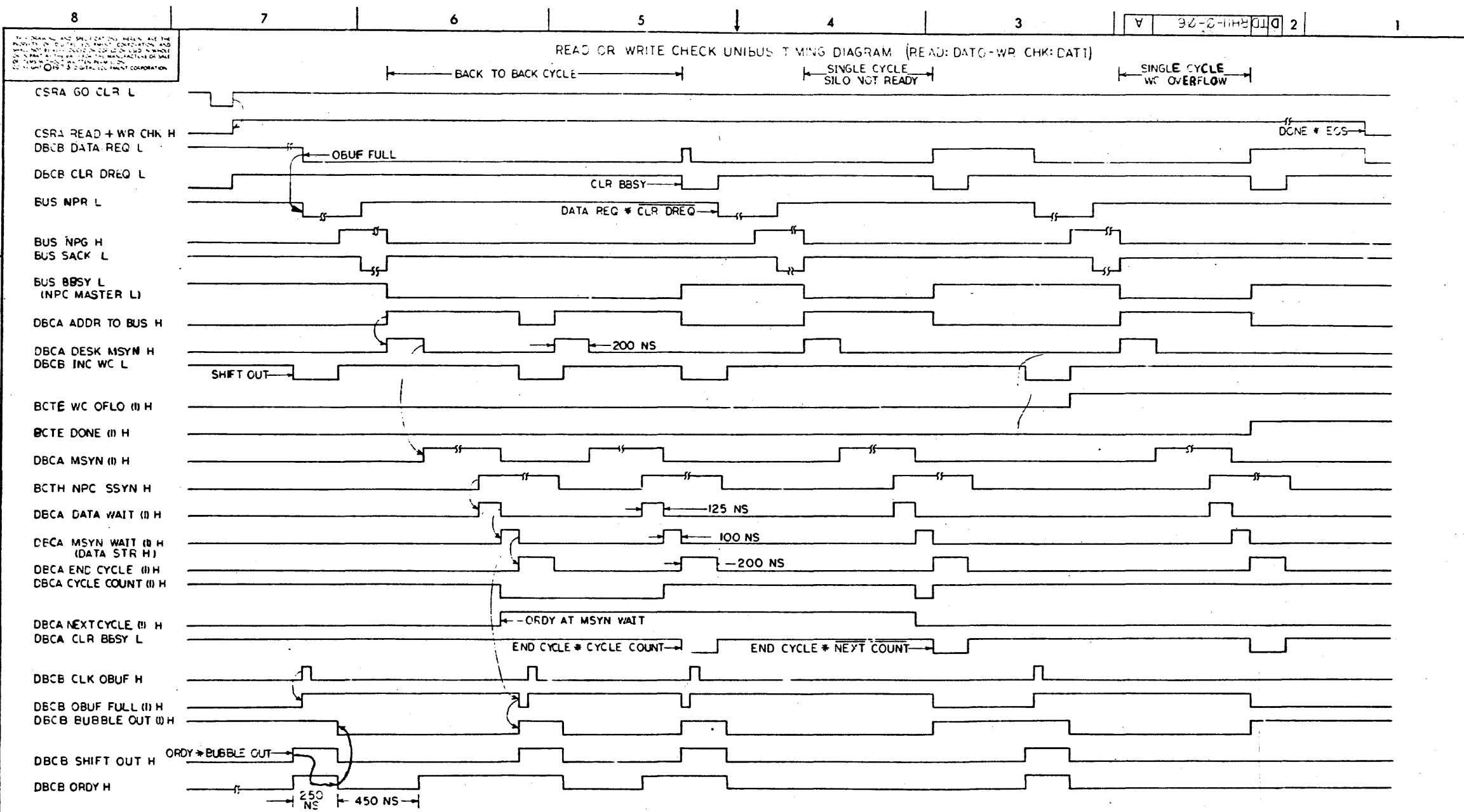


THIS DRAWING AND SPECIFICATION HEREIN ARE THE PROPERTY OF DIGITAL EQUIPMENT CORPORATION AND SHALL BE RETURNED TO THE MANUFACTURER OF THE ORIGINAL DRAWING OR SPECIFICATION IF THE DRAWING OR SPECIFICATION IS NOT RETURNED TO THE MANUFACTURER OF THE ORIGINAL DRAWING OR SPECIFICATION.

REV.	DATE	BY	CHKD.
1	11/16/73	J. J. ...	J. J. ...
2	11/16/73	J. J. ...	J. J. ...
3	11/16/73	J. J. ...	J. J. ...
4	11/16/73	J. J. ...	J. J. ...
5	11/16/73	J. J. ...	J. J. ...
6	11/16/73	J. J. ...	J. J. ...
7	11/16/73	J. J. ...	J. J. ...
8	11/16/73	J. J. ...	J. J. ...

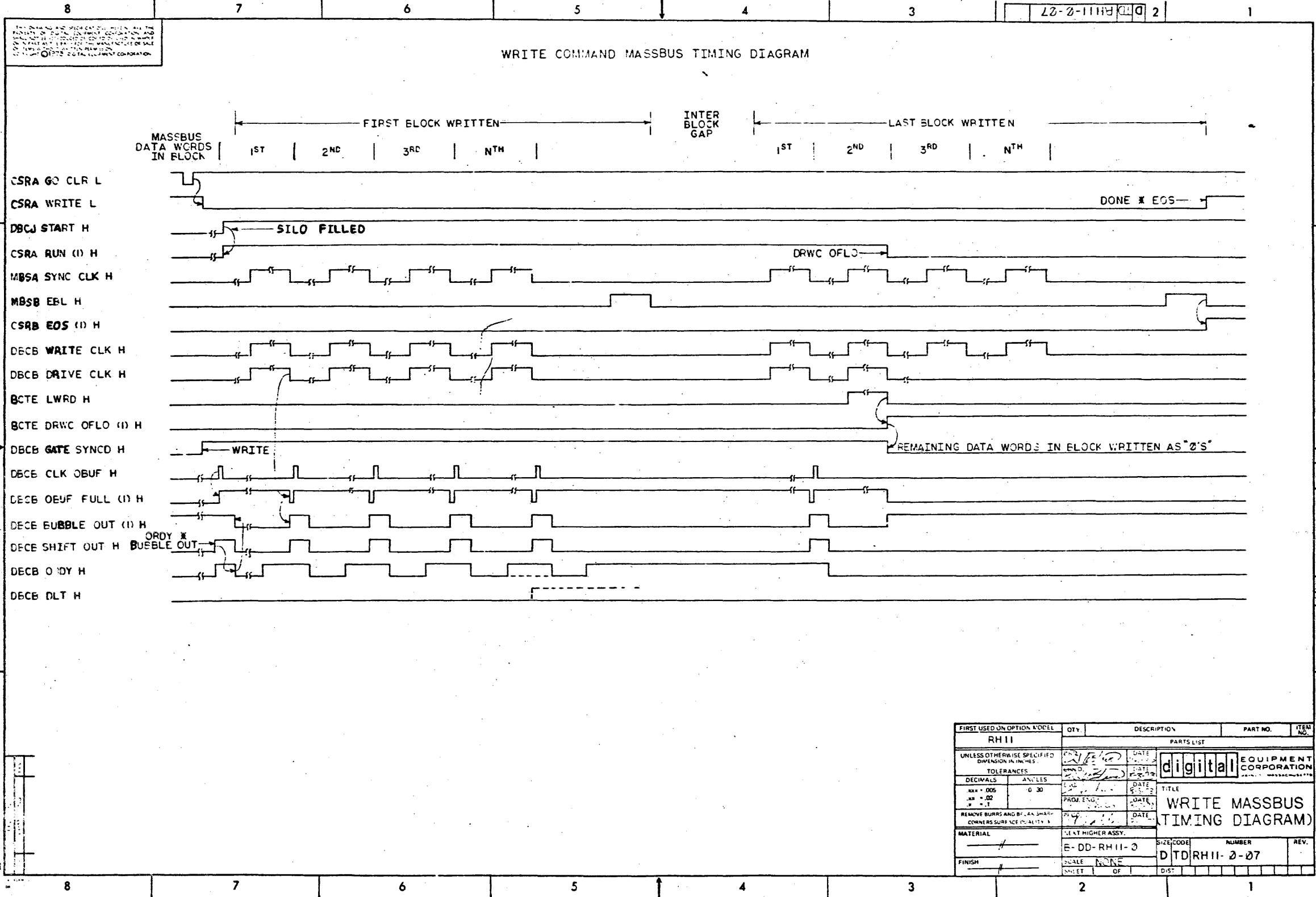
FIRST USED ON OPTION MODEL	QTY.	DESCRIPTION	PART NO.	ITEM NO.
RH11				
UNLESS OTHERWISE SPECIFIED DIMENSION IN INCHES				
TOLERANCES				
DECIMALS	ANGLES	DATE		
.0005	0 30	DATE	PARTS LIST	
.001		DATE	TITLE	
.002		DATE	WRITE UNIBUS	
.005		DATE	TIMING DIAGRAM	
REMOVE BURRS AND BREAK SHARP CORNERS SURFACE QUALITY 1				
MATERIAL				
FINISH				
MATERIAL		DATE	SIZE	NUMBER
6-00-RH11-2		DATE	D	00-RH11-2
FINISH		SCALE	DIST	REV.
				A

DTC RH11-0-05



FIRST USED OR OPTION MODEL	QTY.	DESCRIPTION	PART NO.	ITEM NO.
RHII		PARTS LIST		
UNLESS OTHERWISE SPECIFIED DIMENSION IN INCHES		DATE	PARTS LIST	
TOLERANCES		DATE	digital EQUIPMENT CORPORATION	
DECIMALS	ANGLES	DATE	WALTHAM MASSACHUSETTS	
.xxx ± .005	± 0.30	DATE	TITLE	
.xxx ± .02		DATE	READ-WRITE CHECK	
.xxx ± .1		DATE	UNIBUS (TIMING DIAG)	
REMOVE BURRS AND DEBURR CORNERS SURFACE FINISH		DATE		
MATERIAL	NEXT HIGHER ASSY.	DATE		
	B-DD-RHII-3	DATE	SIZE CODE	NUMBER
FINISH	SCALE NONE	DATE	DTR/RHII-0-26	REV.
	SHEET 1 OF 1	DATE		A

DATE	BY	CHKD	APP'D



THIS DRAWING AND SPECIFICATION ARE THE PROPERTY OF DIGITAL EQUIPMENT CORPORATION AND ARE NOT TO BE REPRODUCED OR TRANSMITTED IN ANY FORM OR BY ANY MEANS, ELECTRONIC OR MECHANICAL, INCLUDING PHOTOCOPYING, RECORDING, OR BY ANY INFORMATION STORAGE AND RETRIEVAL SYSTEM, WITHOUT PERMISSION IN WRITING FROM DIGITAL EQUIPMENT CORPORATION.

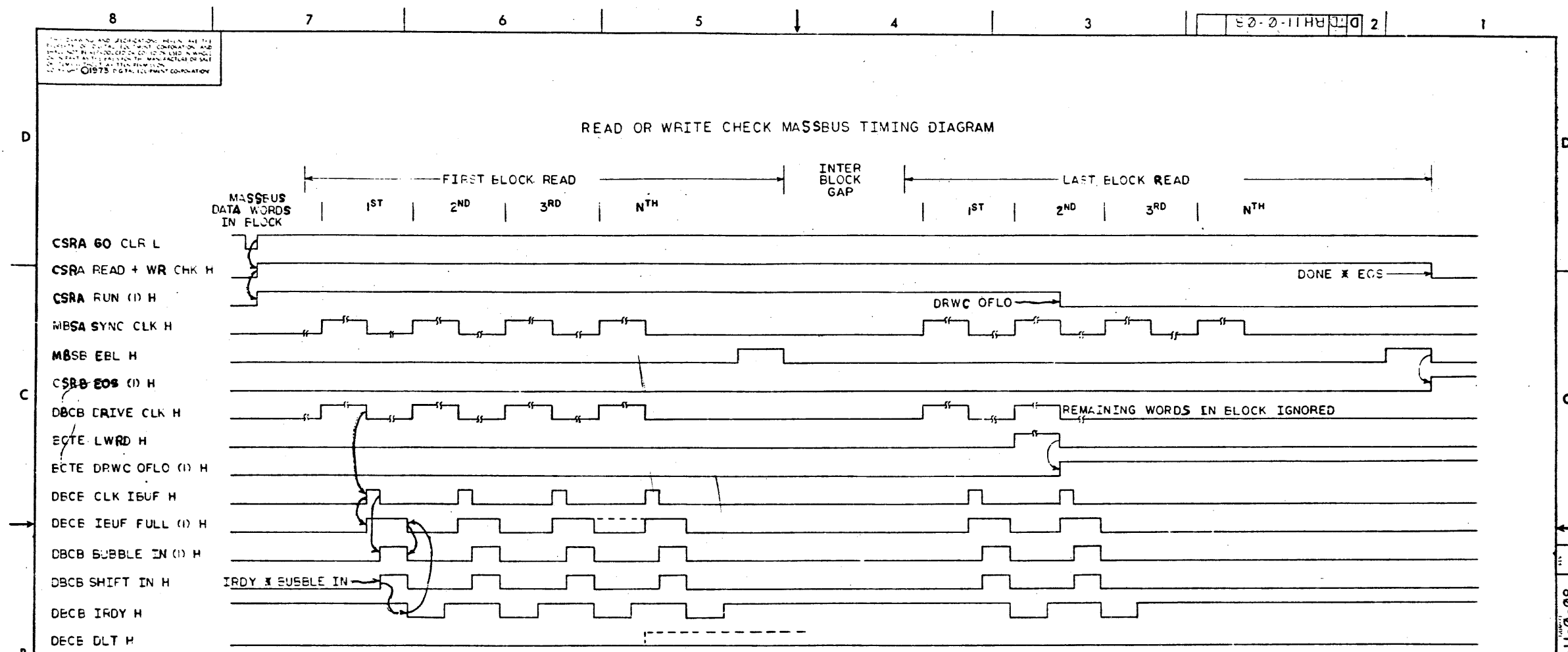
D D RH11-2-07 2 1

D D RH11-2-07

FIRST USED ON OPTION MODEL	QTY.	DESCRIPTION	PART NO.	ITEM NO.
RH11		PARTS LIST		
UNLESS OTHERWISE SPECIFIED DIMENSION IN INCHES		DATE	digital EQUIPMENT CORPORATION	
TOLERANCES		DATE	TITLE	
DECIMALS	ANGLES	DATE	WRITE MASSBUS TIMING DIAGRAM	
±.005	0.30	DATE	SIZE CODE NUMBER	
±.02		DATE	D D RH11-2-07	
±.1		DATE	REV.	
REMOVE BURRS AND BY-AN SHARP CORNERS SURFACE QUALITY 3		DATE		
MATERIAL	NEXT HIGHER ASSY.	DATE		
	E-DD-RH11-2	DATE		
FINISH	SCALE NONE	DATE		
	SHEET OF	DATE		

DITD RH11-0-08 2

READ OR WRITE CHECK MASSBUS TIMING DIAGRAM



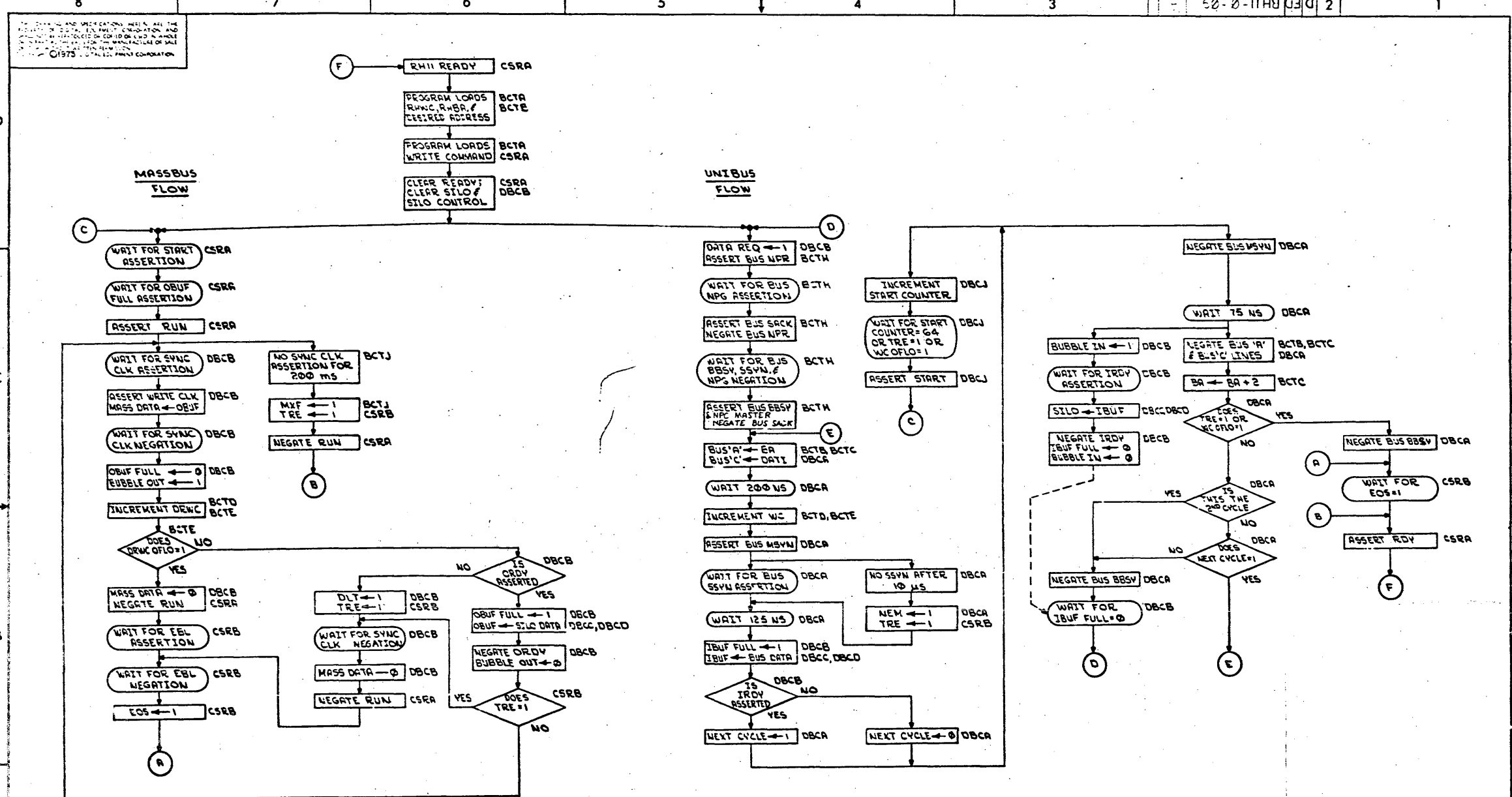
DITD RH11-0-08

FIRST USED ON OPTION MODEL	QTY.	DESCRIPTION	PART NO.	ITEM NO.
RH11				
UNLESS OTHERWISE SPECIFIED DIMENSIONS IN INCHES				
TOLERANCES				
DECIMALS	ANGLES	DATE		
±.005	±.00	DATE		
±.02		DATE		
±.1		DATE		
REMOVE BURRS AND BREAK SHARP CORNERS TO R0.015				
MATERIAL		NEXT HIGHER ASSY.	SIZE CODE	NUMBER
		B-DD-RH11-0		
FINISH		SCALE	DITD RH11-0-08	
		NONE		
		SHEET	OF	

A

A



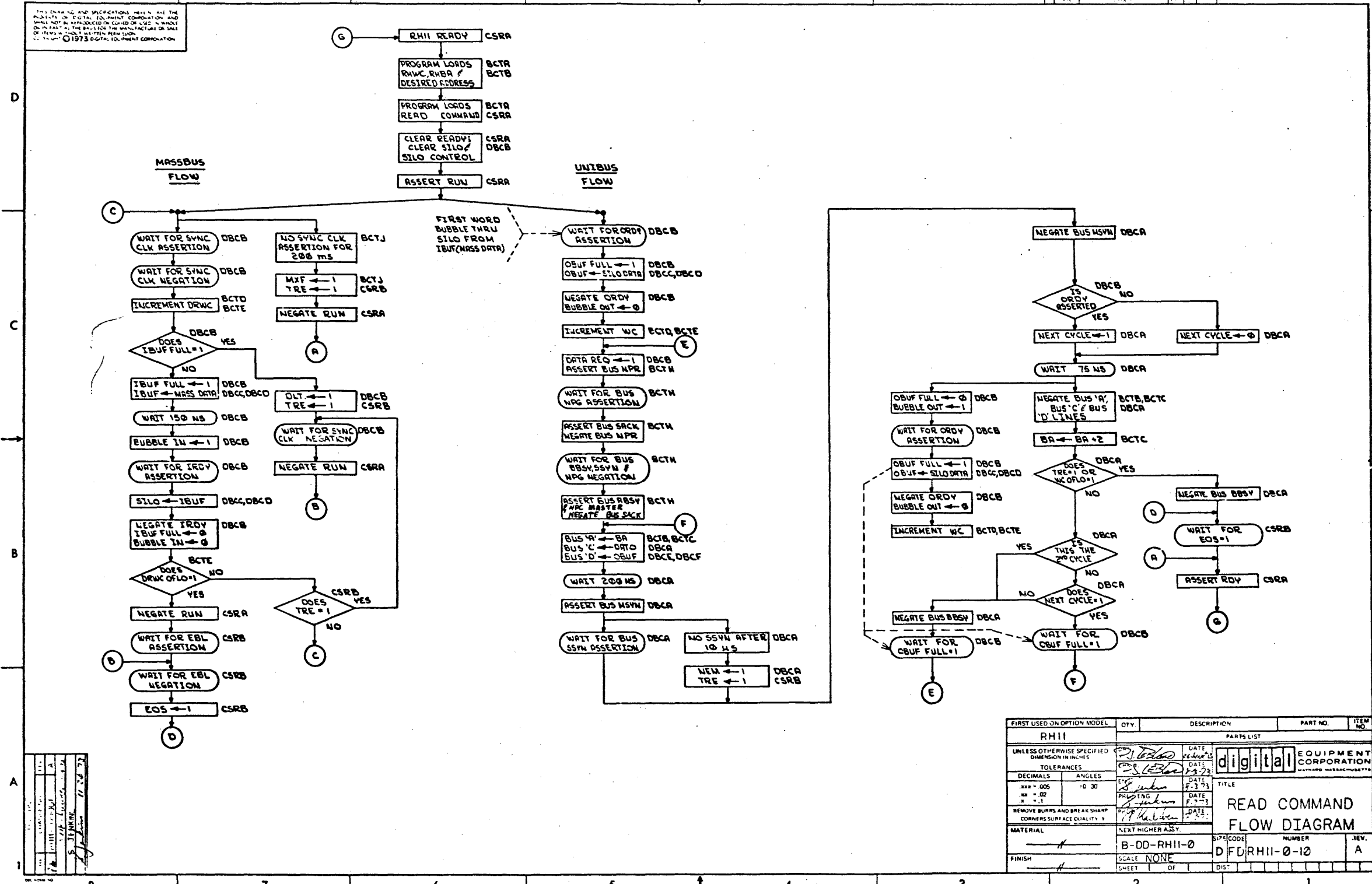


DATE: 11/17/72  
 DRAWN BY: [Signature]  
 CHECKED BY: [Signature]

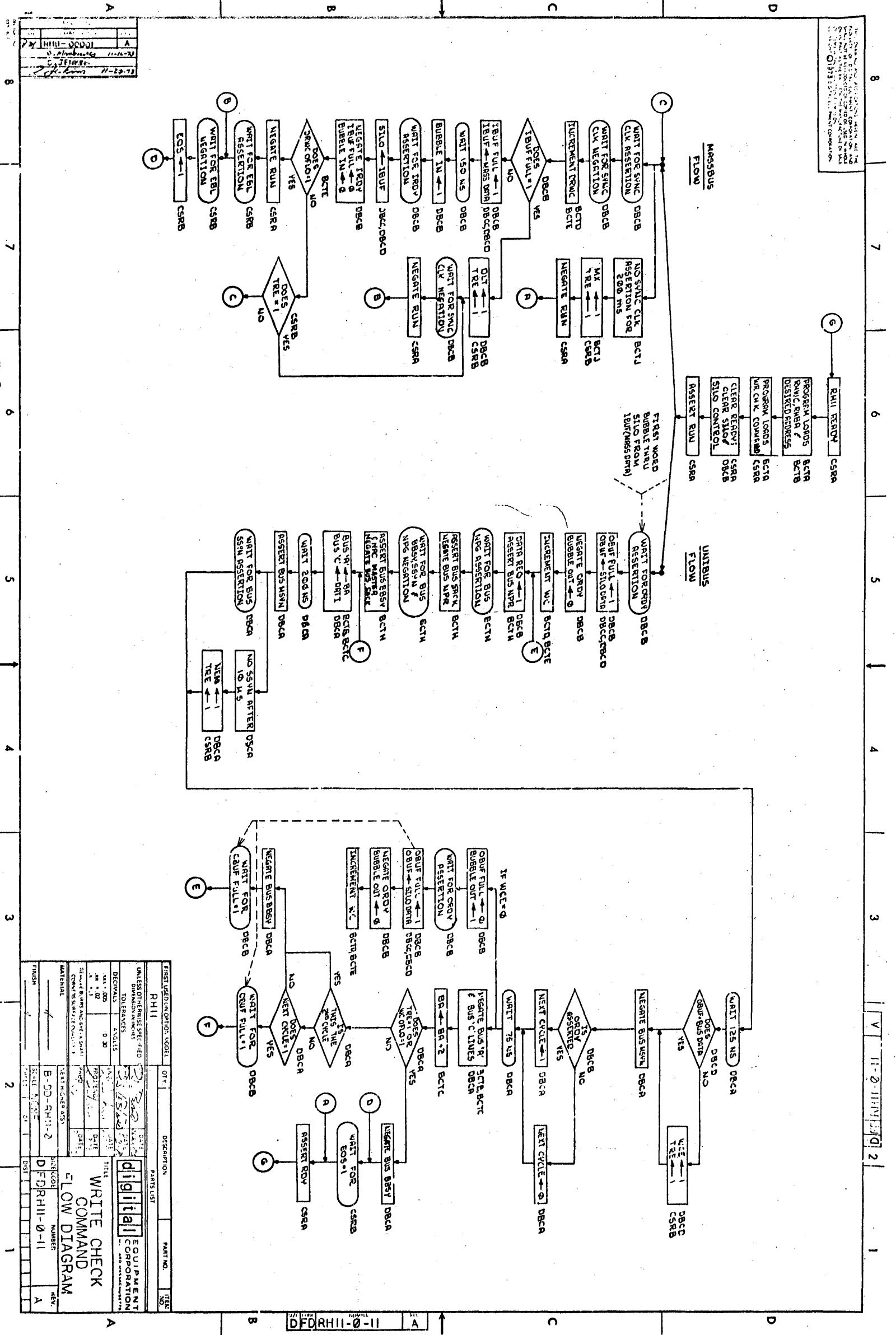
FIRST USED ON OPTION MODEL	QTY.	DESCRIPTION	PART NO.	ITEM NO.
RH11		WRITE COMMAND FLOW DIAGRAM		
UNLESS OTHERWISE SPECIFIED, DIMENSIONS IN INCHES				
TOLERANCES				
DECIMALS	ANGLES	DATE: 11/17/72		
XXX + .005	0 X	DATE: 11/17/72	TITLE: WRITE COMMAND FLOW DIAGRAM	
XX + .02		DATE: 11/17/72	PART NO.: DFD RH11-0-09	
REMOVE BURRS AND BREAK SHARP CORNERS SURFACE QUALITY				
MATERIAL	NEAT HIGHER ASSY.			
	B-00-RH11-0	SIZE CODE	NUMBER	REV.
FINISH	SCALE NONE	DFDRH11-0-09		
		DIST		

DFDRH11-0-09

THE DRAWING AND SPECIFICATIONS HEREIN ARE THE PROPERTY OF DIGITAL EQUIPMENT CORPORATION AND SHALL NOT BE REPRODUCED OR COPIED OR USED IN WHOLE OR IN PART BY THE BUYER FOR THE MANUFACTURE OR SALE OF ITEMS IN THIS MARKET, WITHOUT WRITTEN PERMISSION OF DIGITAL EQUIPMENT CORPORATION.



FIRST USED ON OPTION MODEL	QTY.	DESCRIPTION	PART NO.	ITEM NO.
RHI1				
UNLESS OTHERWISE SPECIFIED DIMENSION IN INCHES				
TOLERANCES				
DECIMALS	ANGLES	DATE	PARTS LIST	
.xxx = .005	.0 30	DATE	digital EQUIPMENT CORPORATION	
.x = .02		DATE	TITLE	
.1 = .1		DATE	READ COMMAND FLOW DIAGRAM	
REMOVE BURRS AND BREAK SHARP CORNERS SURFACE QUALITY 1		DATE	MATERIAL	
		DATE	NEXT HIGHER ASSY	
		DATE	FINISH	
		DATE	SCALE NONE	
		DATE	SHEET OF 1	
		DATE	DIST	



REV	DATE	BY	CHKD
A	11-24-72		
11-24-72 11-24-72 11-24-72			

REV	DATE	BY	CHKD
A	11-24-72		
11-24-72 11-24-72 11-24-72			

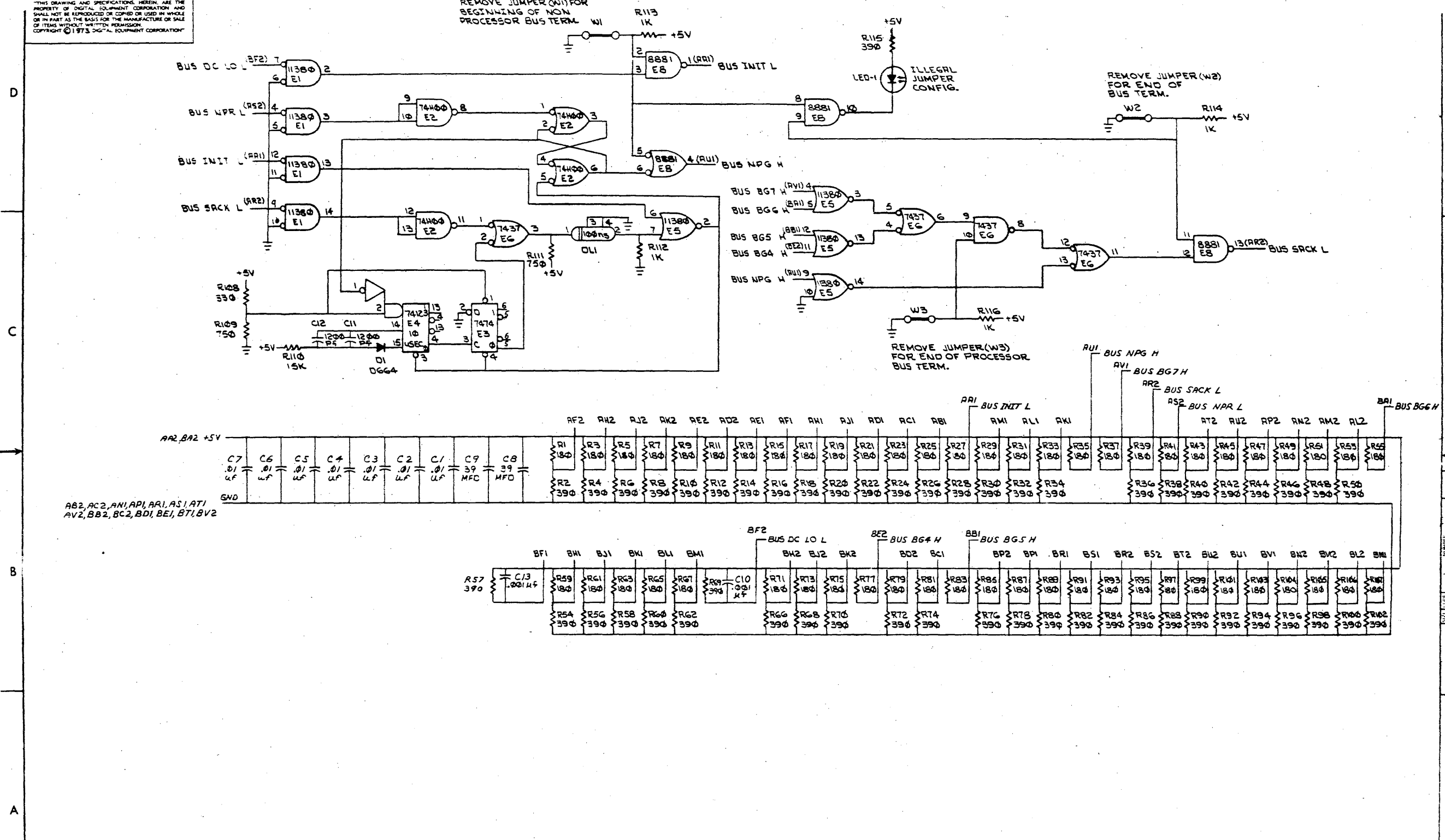
FIRST USED IN OPTION MODEL: PH11  
 PARTS LIST: PH11  
 DESCRIPTION: WRITE CHECK COMMAND FLOW DIAGRAM  
 TITLE: WRITE CHECK COMMAND FLOW DIAGRAM  
 MATERIAL: B-DC-SH-11-2  
 FINISH: DFD-RH11-0-11  
 NUMBER: A

DFD-RH11-0-11



THIS DRAWING AND SPECIFICATIONS HEREIN ARE THE PROPERTY OF DIGITAL EQUIPMENT CORPORATION AND SHALL NOT BE REPRODUCED OR COPIED OR USED IN WHOLE OR IN PART AS THE BASIS FOR THE MANUFACTURE OR SALE OF ITEMS WITHOUT WRITTEN PERMISSION. COPYRIGHT © 1973 DIGITAL EQUIPMENT CORPORATION

1-0-0036W SCD 2



AR2, BA2 +5V	C7	C6	C5	C4	C3	C2	C1	C9	C8	R1	R3	R5	R7	R9	R11	R13	R15	R17	R19	R21	R23	R25	R27	R29	R31	R33	R35	R37	R39	R41	R43	R45	R47	R49	R51	R53	R55	R57		
	.01	.01	.01	.01	.01	.01	.01	39	39	180	180	180	180	180	180	180	180	180	180	180	180	180	180	180	180	180	180	180	180	180	180	180	180	180	180	180	180	180	180	
	4F	4F	4F	4F	4F	4F	4F	MFD	MFD	390	390	390	390	390	390	390	390	390	390	390	390	390	390	390	390	390	390	390	390	390	390	390	390	390	390	390	390	390	390	390

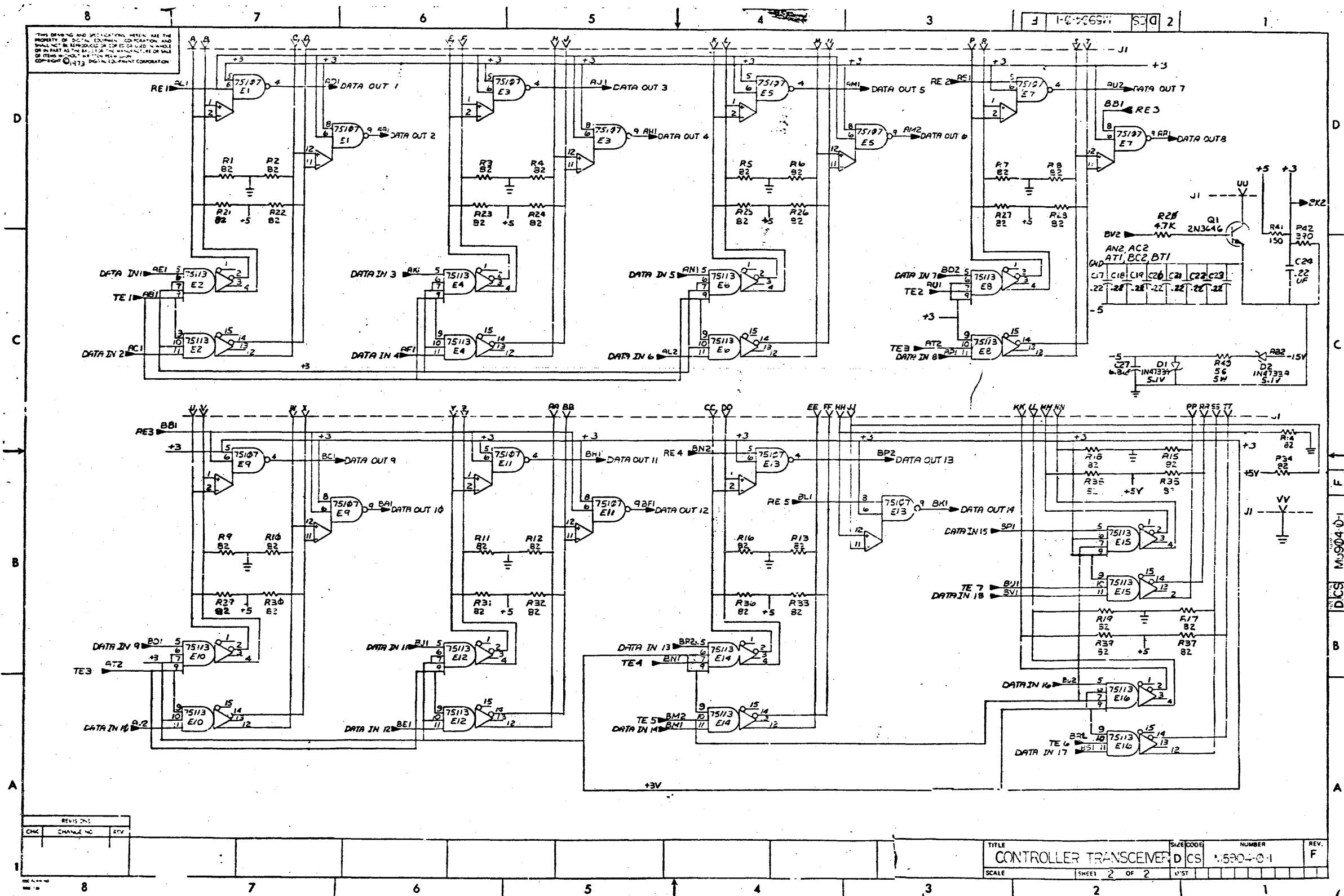
  

AF2	AK2	AL2	AM2	AN2	AO2	AP2	AQ2	AR2	AS2	AT2	AV2	AW2	AX2	AY2	AZ2	BA1	BB1	BC1	BD1	BE1	BF1	BG1	BH1	BI1	BJ1	BK1	BL1	BM1	BN1	BO1	BP1	BQ1	BR1	BS1	BT1	BV1	BW1	BX1	BY1	BZ1				

AB2, AC2, AN1, AP1, AR1, AS1, AT1, AV2, BB2, BC2, BD1, BE1, BT1, BV2

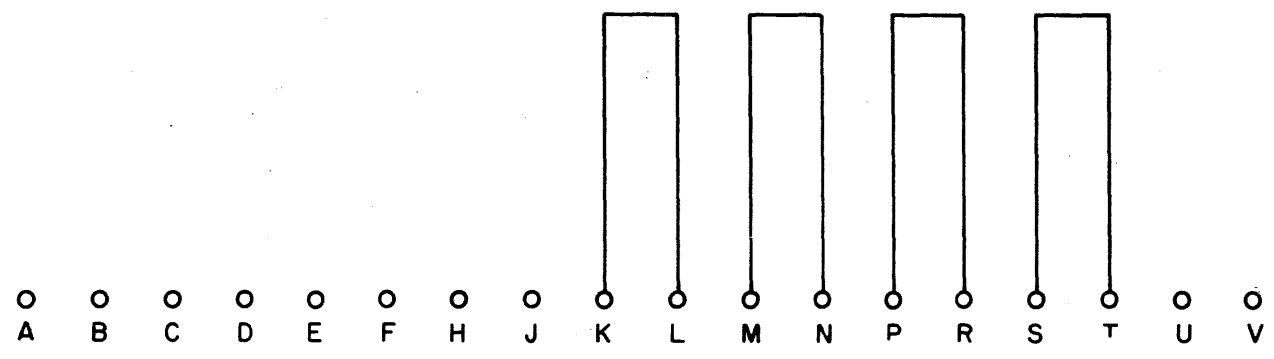
REVISIONS		
CHK	CHANGE NO.	REV.





THIS SCHEMATIC IS FURNISHED ONLY FOR TEST AND MAINTENANCE PURPOSES. THE CIRCUITS ARE PROPRIETARY IN NATURE AND SHOULD BE TREATED ACCORDINGLY. COPYRIGHT 1969 BY DIGITAL EQUIPMENT CORPORATION

REV. NUMBER SIZE CODE



REVISIONS CHK CHG NO. REV.	DRN. <b>BUTLER</b>	DATE <b>11-19-69</b>	TRANSISTOR & DIODE CONVERSION CHART				TITLE <b>GRANT CONTINUITY G727</b>
	CHK'D <i>P. Jo Stank</i>	DATE <i>6-1-13-70</i>	DEC	EIA	DEC	EIA	
	ENG. <i>P. E. Johnson</i>	DATE <i>1/23/70</i>					B CS G727-0-1
	PROD.	DATE					PRINTED CIRCUIT REV. A

**digital**  
EQUIPMENT CORPORATION  
MAYNARD, MASSACHUSETTS



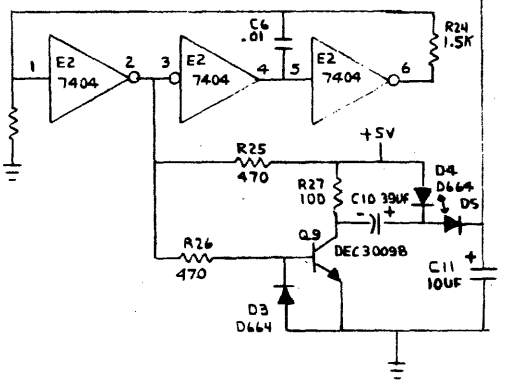
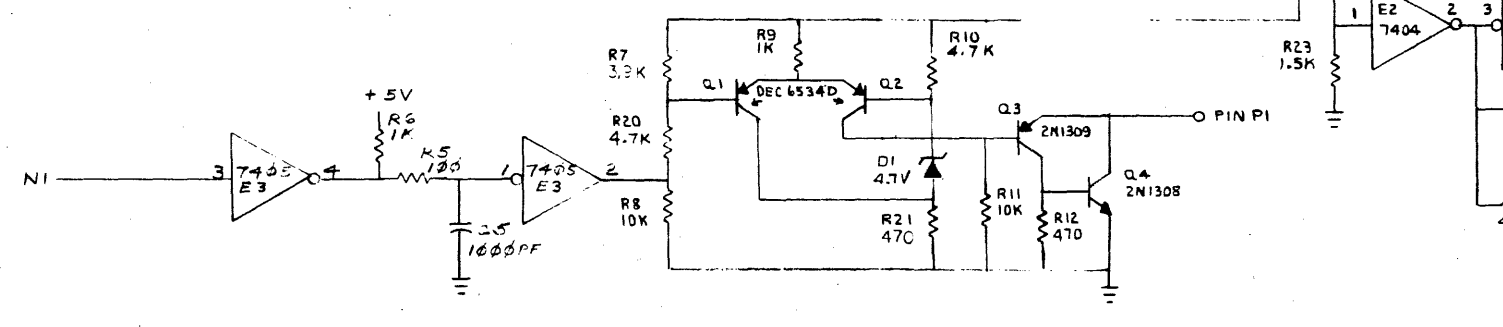
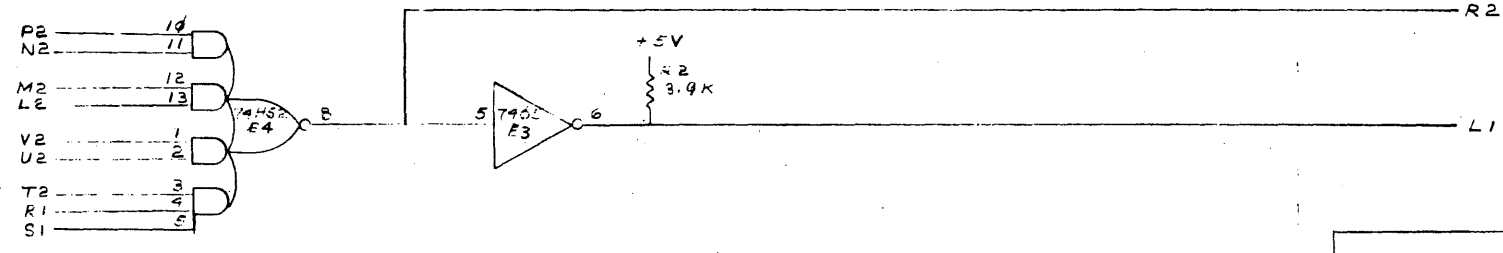
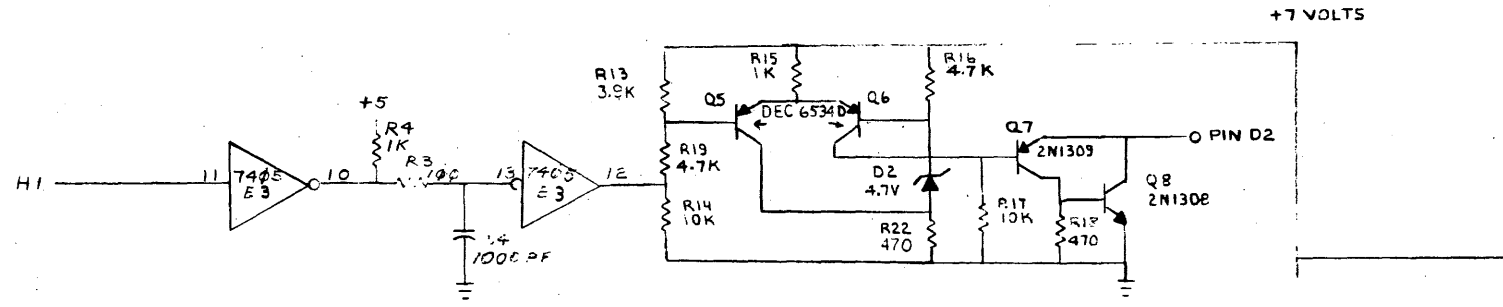
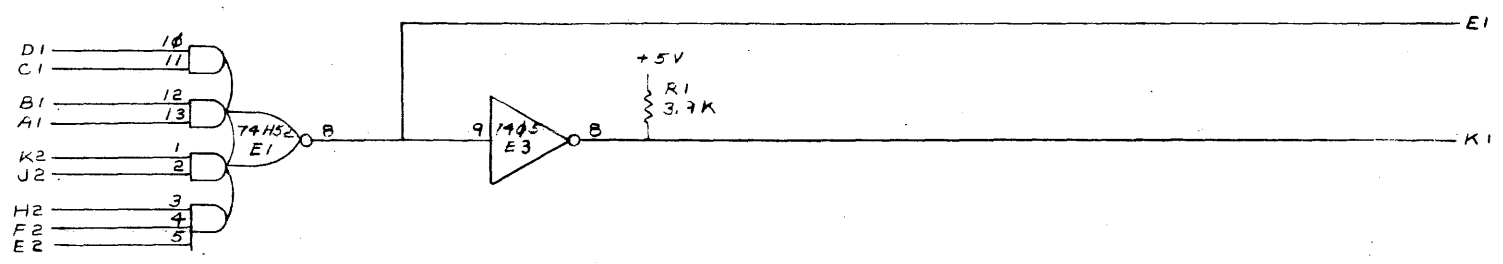






This drawing and specifications, herein, are the property of Digital Equipment Corporation and shall not be reproduced or copied or used in whole or in part as the basis for the manufacture or sale of items without written permission.

J 1-0-889W S 2



REV	NO
CHK	NO
CHG	NO
REV	NO
CHK	NO
CHG	NO

FIRST USED ON OPTION/MODEL	QTY.	DESCRIPTION	PART NO.	ITEM NO.
PDP 11				
PARTS LIST				
UNLESS OTHERWISE SPECIFIED DIMENSION IN INCHES TOLERANCES				
DECIMALS	ANGLES	TITLE		
.XXX - .005	±0° 30'	UNIBUS POWER FAIL DRIVERS		
.XX - .02		MATERIAL		
.X - .1		NEXT HIGHER ASSY.		
REMOVE BURRS AND BREAK SHARP CORNERS SURFACE QUALITY		FINISH		
SCALE NONE		SIZE CODE		REV.
SHEET 2 OF 2		NUMBER		F
DIST.		D C S M 6 8 8 - 0 - 1		

DEC 1974 NO  
DRD 102-B

REV. F  
D C S M 6 8 8 - 0 - 1




This drawing and specifications, herein, are the property of Digital Equipment Corporation and shall not be reproduced or copied or used in whole or in part as the basis for the manufacture or sale of items without written permission. COPYRIGHT © 1973

DIGITAL EQUIP. CORP.

REV. D NUMBER KWL RHII-0-12 SIZE CODE 2 1

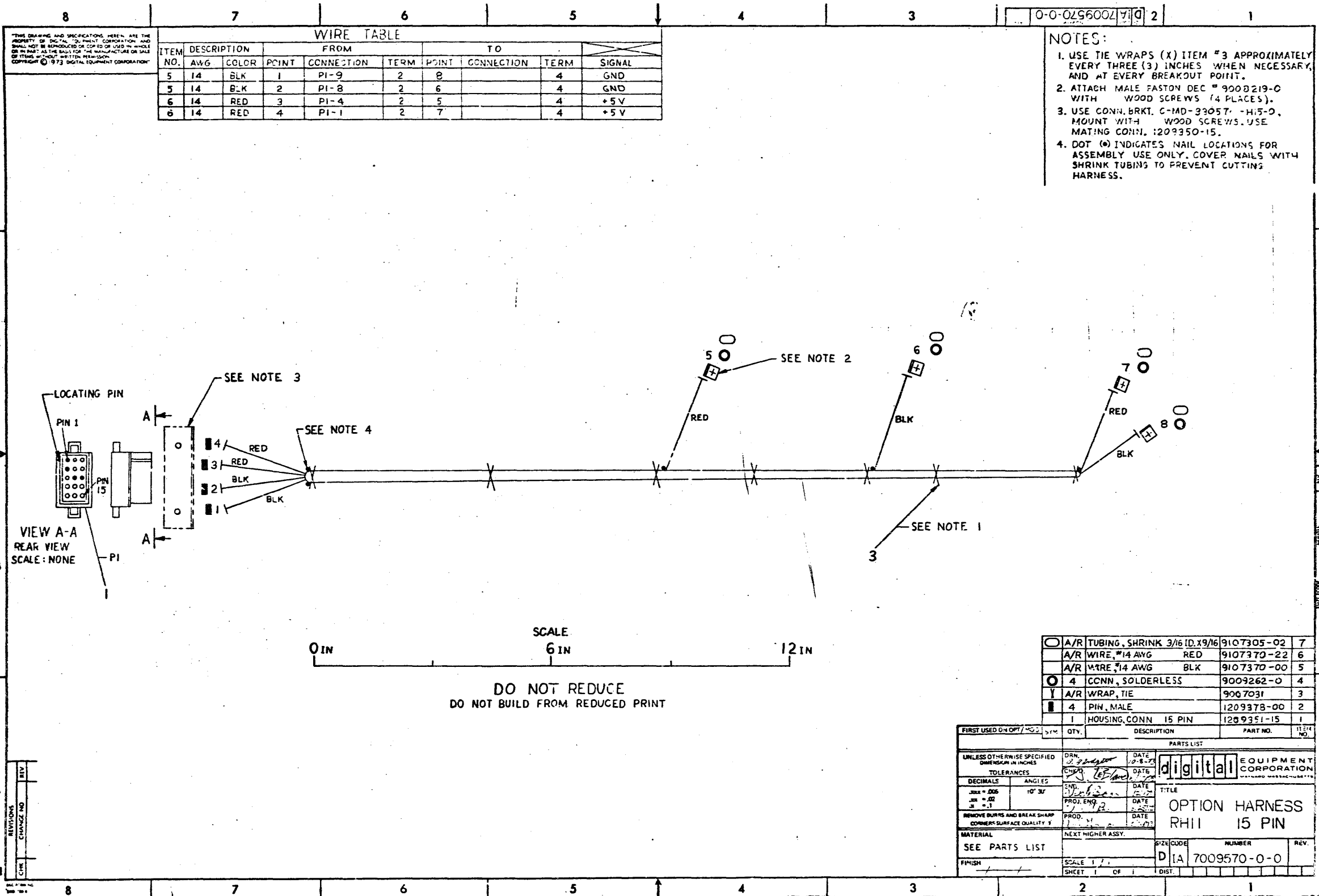


FIRST USED ON OPTION MODEL	QTY.	DESCRIPTION	PART NO.	ITEM NO.
RHII		PARTS LIST		
DRN: T.V. (EBC) DATE 19 JUNE 73		 <b>EQUIPMENT CORPORATION</b> MAYNARD, MASSACHUSETTS		
CHK'D: M. K. G. DATE 1/6/73				
ENG: J. Jenkins DATE 8-12-73				
PROJ. ENG: J. Jenkins DATE 8-12-73				
PROC: J. Jenkins DATE 8-12-73				
NEXT HIGHER ASSEMBLY		TITLE		
D-AD-700939700		WIRE LIST		
SCALE NONE		SIZE CODE	NUMBER	REV.
SHEET 1 OF 1		KWL	RHII-0-12	D
		DIST.		

REVISIONS	CHANGE NO.	REV.
RD	RHII-00003	A
Jenkins 7-19-74		
Jenkins 7-30-74		
RD	RHII-00007	B
RD	RHII-00008	C
RD	RHII-TW010	D

DEC FORM NO. DRB 109

4 3 2 1 TW



THIS DRAWING AND SPECIFICATIONS HEREIN ARE THE PROPERTY OF DIGITAL EQUIPMENT CORPORATION AND SHALL NOT BE REPRODUCED OR COPIED OR USED IN WHOLE OR IN PART AS THE BASIS FOR THE MANUFACTURE OR SALE OF ITEMS WITHOUT WRITTEN PERMISSION. COPYRIGHT © 1973 DIGITAL EQUIPMENT CORPORATION

WIRED TABLE										
ITEM NO.	DESCRIPTION	FROM				TO				
		AWG	COLOR	POINT	CONNECTION	TERM	POINT	CONNECTION	TERM	SIGNAL
5	14	BLK	1	PI-9	2	8		4		GND
5	14	BLK	2	PI-8	2	6		4		GND
6	14	RED	3	PI-4	2	5		4		+5V
6	14	RED	4	PI-1	2	7		4		+5V

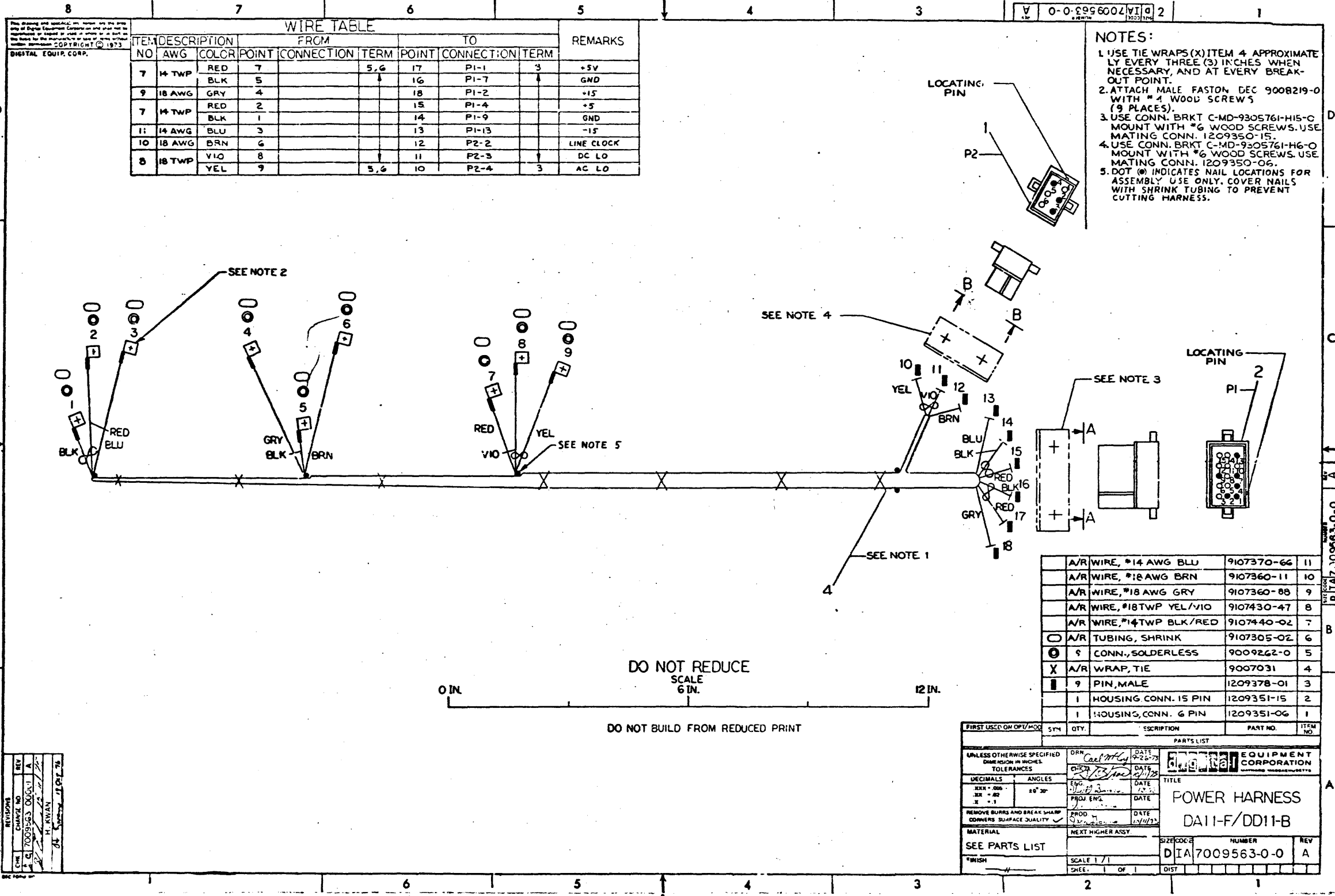
- NOTES:
1. USE TIE WRAPS (X) ITEM #3 APPROXIMATELY EVERY THREE (3) INCHES WHEN NECESSARY, AND AT EVERY BREAKOUT POINT.
  2. ATTACH MALE FASTON DEC # 9008219-0 WITH WOOD SCREWS (4 PLACES).
  3. USE CONN. BRKT. C-MD-33057, -H15-0, MOUNT WITH WOOD SCREWS. USE MATING CONN. 1209350-15.
  4. DOT (•) INDICATES NAIL LOCATIONS FOR ASSEMBLY USE ONLY. COVER NAILS WITH SHRINK TUBING TO PREVENT CUTTING HARNESS.

QTY.	DESCRIPTION	PART NO.	11/24 NO.
4	A/R TUBING, SHRINK 3/16 ID, X9/16	9107305-02	7
4	A/R WIRE, #14 AWG RED	9107370-22	6
4	A/R WIRE, #14 AWG BLK	9107370-00	5
4	CONN, SOLDERLESS	9009262-0	4
4	A/R WRAP, TIE	9007031	3
4	PIN, MALE	1209378-00	2
1	HOUSING, CONN 15 PIN	1209351-15	1

FIRST USED ON OPT/MS2		DATE		DATE	
UNLESS OTHERWISE SPECIFIED DIMENSIONS IN INCHES		DRN		DATE	
TOLERANCES		CHKD		DATE	
DECIMALS	ANGLES	ENL		DATE	
.015 - .005	+0° 30'	PROJ ENG		DATE	
.01 - .02		PROD. M		DATE	
.3 - .1					
REMOVE BURRS AND BREAK SHARP CORNERS SURFACE QUALITY 1					
MATERIAL		NEXT HIGHER ASSY.		SIZE CODE	
SEE PARTS LIST				NUMBER	
FINISH		SCALE 1/1		REV.	
		SHEET 1 OF 1		DIST.	

REV	CHANGE NO
1	1

DIGITAL 7009570-0-0



WIRE TABLE									
ITEM NO.	DESCRIPTION	COLOR	FROM			TO			REMARKS
			POINT	CONNECTION	TERM	POINT	CONNECTION	TERM	
7	#14 TWP	RED	7		5,6	17	P1-1	3	+5V
		BLK	5			16	P1-7		GND
9	#18 AWG	GRY	4			18	P1-2		+15
7	#14 TWP	RED	2			15	P1-4		+5
		BLK	1			14	P1-9		GND
11	#14 AWG	BLU	3			13	P1-13		-15
10	#18 AWG	BRN	6			12	P2-2		LINE CLOCK
8	#18 TWP	VIO	8			11	P2-3		DC LO
		YEL	9		5,6	10	P2-4	3	AC LO

- NOTES:**
1. USE TIE WRAPS (X) ITEM 4 APPROXIMATELY EVERY THREE (3) INCHES WHEN NECESSARY, AND AT EVERY BREAK-OUT POINT.
  2. ATTACH MALE FASTON DEC 9008219-0 WITH #4 WOOD SCREWS (9 PLACES).
  3. USE CONN. BRKT C-MD-9305761-HIS-C MOUNT WITH #6 WOOD SCREWS. USE MATING CONN. 1209350-15.
  4. USE CONN. BRKT C-MD-9305761-H6-0 MOUNT WITH #6 WOOD SCREWS. USE MATING CONN. 1209350-06.
  5. DOT (•) INDICATES NAIL LOCATIONS FOR ASSEMBLY USE ONLY. COVER NAILS WITH SHRINK TUBING TO PREVENT CUTTING HARNESS.

SYMBOL	DESCRIPTION	PART NO.	ITEM NO.
A/R	WIRE, #14 AWG BLU	9107370-66	11
A/R	WIRE, #18 AWG BRN	9107360-11	10
A/R	WIRE, #18 AWG GRY	9107360-88	9
A/R	WIRE, #18 TWP YEL/VIO	9107430-47	8
A/R	WIRE, #14 TWP BLK/RED	9107440-02	7
○	TUBING, SHRINK	9107305-02	6
●	CONN., SOLDERLESS	9009262-0	5
X	WRAP, TIE	9007031	4
9	PIN, MALE	1209378-01	3
1	HOUSING, CONN. 15 PIN	1209351-15	2
1	HOUSING, CONN. 6 PIN	1209351-06	1

FIRST USED ON OPT/MOD		SYN	QTY.	DESCRIPTION	PART NO.	ITEM NO.
PARTS LIST						
UNLESS OTHERWISE SPECIFIED DIMENSIONS IN INCHES TOLERANCES		DRN	DATE	EQUIPMENT CORPORATION		
DECIMALS	ANGLES	CHKD	DATE	TITLE		
.XXX - .000	± .00	ENG	DATE	POWER HARNESS		
.XX - .02	± .01	PROJ. ENG.	DATE	DA11-F/DD11-B		
.X - .1	± .005	PROD.	DATE	MATERIAL		
				NEXT HIGHER ASSY		
SEE PARTS LIST		SCALE 1/1		SIZE CODE	NUMBER	REV
FINISH		SHEET 1 OF 1		DIST	DIA7009563-0-0	A

REV	DATE	BY
1	12/1/73	CAW
2	12/1/73	CAW
3	12/1/73	CAW
4	12/1/73	CAW