

This drawing and specifications herein are the property of Digital Equipment Corporation and shall not be reproduced or copied or used in whole or in part as the basis for the manufacture or sale of items without written permission.

### MASTER DRAWING LIST

DWG. NO.	REV. LET.	NO. OF SHEETS	TITLE
D-UA-RP11-β-β		3	DISC CONTROL INTERFACE (RP11)
A-PL-RP11-β-β		2	DISC CONTROL INTERFACE (RP11) (PL)
D-AD-7007131-0-0	A	2	WIRED ASSY
A-PL-7007131-0-0	A	1	WIRED ASSY (PL)
A-WT-7007131-0	A	1	DISC CONTROL INTERFACE (RP11) AWT REVISION SHEET
D-DI-RP11-β-1		3	DRAWING INDEX LIST (RP11)
D-BS-RP11-β-β2	A	4	MAINTENANCE
D-BS-RP11-β-β3	A	1	WRITE PROTECT COMPARATOR
D-BS-RP11-β-β4	B	1	BUS OUT CONTROL
D-BS-RP11-β-β5	A	1	DISK DRIVER
D-BS-RP11-β-β6	A	1	DISK RECEIVER
D-BS-RP11-β-β7	B	4	WRITE CHECK COMPARATOR
D-BS-RP11-β-β8	A	6	SHIFT REGISTER
D-BS-RP11-β-β9	B	7	BUFFER REGISTER
D-BS-RP11-β-β10	A	1	SECTOR IN TRACK COUNTER/COMPARATOR
D-BS-RP11-β-β11	C	1	CYLINDER ADDRESS REGISTER COMPARATOR
D-BS-RP11-β-β12	A	1	CYLINDER ADDRESS COMPARATOR
D-BS-RP11-β-β13	B	1	SECTOR ADDRESS REGISTER
D-BS-RP11-β-β14	A	2	LONGITUDINAL PARITY REGISTER
D-BS-RP11-β-β15	B	1	SHIFT REGISTER CONTROL
D-BS-RP11-β-β16	A	1	SERIAL CHECKSUM COUNTER
D-BS-RP11-β-β17	B	1	TRACK ADDRESS REGISTER
D-BS-RP11-β-β18	A	1	ATTENTION REGISTER
D-BS-RP11-β-β19	A	1	ERROR REGISTER
D-BS-RP11-β-β20	A	1	ADDRESS SELECTION
D-BS-RP11-β-β21	A	1	BUS RECEIVERS
D-BS-RP11-β-β22	C	1	VFO CONTROL
D-BS-RP11-β-β23	A	1	DISK DATA SYNC
D-BS-RP11-β-β24	A	4	BUS COMBINING
D-BS-RP11-β-β25	B	1	CONTROL STATUS REGISTER
D-BS-RP11-β-β26	B	1	WORD COUNT CURRENT ADDRESS

REVISIONS				DRN.	DATE	digital EQUIPMENT CORPORATION MAYNARD, MASSACHUSETTS					
REV.	DATE	CHG. NO.	APP'D.	CAMPBELL	11/2/71	TITLE	SIZE	CODE	NUMBER	REV.	
A	9/71	00005	AV	CAMPBELL	11/2/71	DISC CONTROL INTERFACE (RP11)	A	ML	RP11-β	J	
B	9/72	00009	D.H.	RAIMONDI	11/13/71						
C	10/72	00010	D.H.	RAIMONDI	11/13/71						
D	11/72	00011	D.H.	RAIMONDI	11/13/71						
E	11/72	00012	D.H.	RAIMONDI	11/13/71						
F	1/73	00013	D.H.	RAIMONDI	11/13/71						
H	4/73	00014	D.H.	RAIMONDI	11/13/71						
J	19/74	00015	D.H.	RAIMONDI	11/13/71						
FIRST USED ON				PDP-11			SCALE	NONE		SHEET	1 OF 2
DIST.											

This drawing and specifications herein are the property of Digital Equipment Corporation and shall not be reproduced or copied or used in whole or in part as the basis for the manufacture or sale of items without written permission.

### MASTER DRAWING LIST

DWG. NO.	REV. LET.	NO. OF SHEETS	TITLE
D-BS-RP11-β-27	B	1	FORMAT GEN/WD IN SECTOR COUNTER
D-BS-RP11-β-28	D	2	MAJOP STATE CONTROL
D-BS-RP11-β-29	C	1	UNIBUS CONTROL
D-IC-RP11-β-30	A	1	UNIBUS CONNECTIONS
D-IC-RP11-β-31	A	2	DISK CONTROL CABLE INTERFACE
D-IC-RP11-β-32	A	1	RP11 IND PANEL CABLE DESIGNATION
D-MU-RP11-β-33	F	4	MODULE UTILIZATION
A-PL-RP11-β-33	F	2	MODULE UTILIZATION (PL)
K-WL-RP11-β-34	J	1	WIRE LIST (RP11)

REVISIONS				DRN.	DATE	digital EQUIPMENT CORPORATION MAYNARD, MASSACHUSETTS					
REV.	DATE	CHG. NO.	APP'D.	CAMPBELL	11/2/71	TITLE	SIZE	CODE	NUMBER	REV.	
				CAMPBELL	11/2/71	DISC CONTROL INTERFACE (RP11)	A	ML	RP11-β	J	
				RAIMONDI	11/13/71						
				RAIMONDI	11/13/71						
				RAIMONDI	11/13/71						
				RAIMONDI	11/13/71						
				RAIMONDI	11/13/71						
				RAIMONDI	11/13/71						
				RAIMONDI	11/13/71						
				RAIMONDI	11/13/71						
				RAIMONDI	11/13/71						
FIRST USED ON				PDP-11		SCALE	NONE		SHEET	2 OF 2	
DIST.											

DIGITAL EQUIPMENT CORPORATION MAYNARD, MASSACHUSETTS <b>PARTS LIST</b>			QUANTITY/VARIATION																	
MADE BY A. RAIMONDI		CHECKED A. RAIMONDI	SECTION																	
DATE 1/27/71		DATE 1/27/71	ISSUED SECT. 1																	
ENG [Signature]		PROD [Signature]	ISSUED SECT. 1																	
DATE 1/27/71		DATE 1/27/71	ISSUED SECT. 1																	
ITEM NO.	DWG NO. / PART NO.	DESCRIPTION																		
1	C-PL-7006501-1-0	19" BASIC CABINET ASSY		1																
2	D-IA-7407349-0-0	PANEL LOGO		1																
3	D-AD-7006331-16-0	INDICATOR PANEL ASSY		1																
4	D-UA-H950-P-0	H950-P COVER PANEL		1																
5	D-UA-H950-Q-0	H950-Q COVER PANEL		5																
6	D-AD-7007179-0-0	LOGIC ASSY (RPI1)		1																
7	D-UA-716-0-0	INDICATOR POWER SUPPLY 716		2																
8	7402026	BLANK PANEL (6.94)		1																
9	7402027	BLANK PANEL (10.44)		1																
10	D-AD-7007300-0-0	RACK MOUNTING POWER SUPPLY		1																
11	D-UA-H722-0-0	H722 STEPDOWN TRANS		1																
12	D-UA-H720-0-0	H720 PWR SUP ASSY (H720-C OR H720-D)		1																
13	D-UA-841-B-0	POWER CONTROL		1																
14	D-AD-7007179-0-0	DISTRIBUTION PANEL ASSY		1																
15	D-MD-7407467-0-0	MTG PANEL, 841-B P.C.		1																
16	9006074-3	SCREW, MIL HD TRUSS #10-32 X 5/8		A/R																
17	9007651	WASHER, EXT TOOTH #10		A/R																
18	9007786	NUT, TINNERMAN #10-32		A/R																
19	D-UA-H952-AA-0	END PANEL H 952-A		2																
20	7005128-23	25 FT POWER CORD		1																
21	D-UA-H950-PA-0	H950-F MTG PANEL DOOR SKIN		1																

TITLE	ASSY NO.	SIZE CODE	NUMBER	REV. ECO NO.
DISC CONTROL INTERFACE (RPI1)	D-UA-RPI1-0-0	A PL	RPI1-0-0	
	SHEET 1 OF 2	DIST		

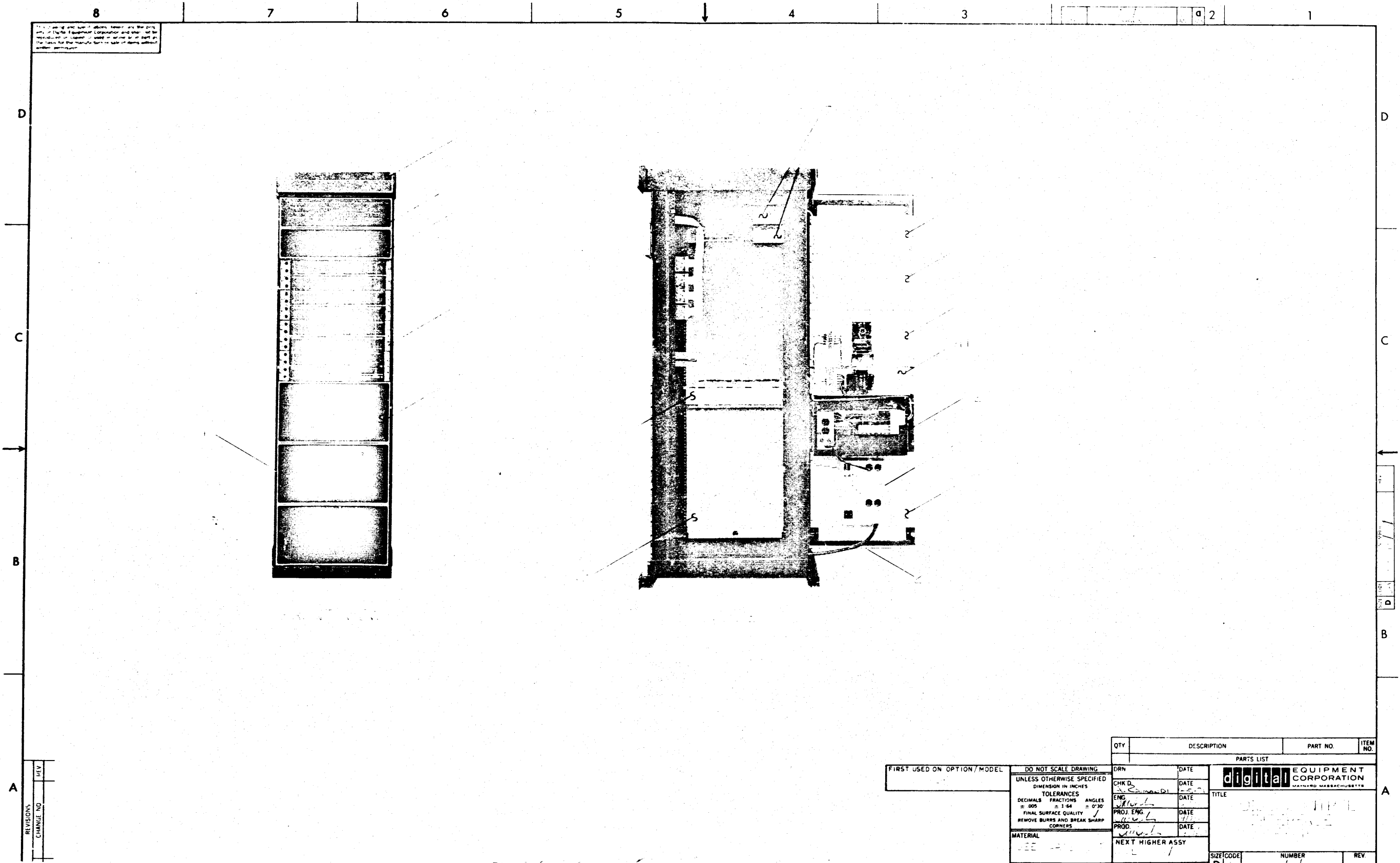
DEC FORM NO. 16 1031  
DRA 110

DIGITAL EQUIPMENT CORPORATION MAYNARD, MASSACHUSETTS <b>PARTS LIST</b>			QUANTITY/VARIATION																	
MADE BY A. RAIMONDI		CHECKED A. RAIMONDI	SECTION																	
DATE 1/27/71		DATE 1/27/71	ISSUED SECT. 1																	
ENG [Signature]		PROD [Signature]	ISSUED SECT. 1																	
DATE 1/27/71		DATE 1/27/71	ISSUED SECT. 1																	
ITEM NO.	DWG NO. / PART NO.	DESCRIPTION																		
22	9107370-33	WIRE #14 AWG STRD TEF INS (ORN)		A/R																
23	9107370-00	WIRE #14 AWG STRD TEF INS (BLK)		A/R																
24	9107370-55	WIRE #14 AWG STRD TEF INS (GRN)		A/R																
25	9107370-66	WIRE #14 AWG STRD TEF INS (BLU)		A/R																
26	9107370-99	WIRE #14 AWG STRD TEF INS (WHT)		A/R																
27	9107370-11	WIRE #14 AWG STRD TEF INS (BRN)		A/R																
28	9107370-22	WIRE #14 AWG STRD TEF INS (RED)		A/R																

TITLE	ASSY NO.	SIZE CODE	NUMBER	REV. ECO NO.
DISC CONTROL INTERFACE (RPI1)	D-UA-RPI1-0-0	A PL	RPI1-0-0	
	SHEET OF	DIST		

DEC FORM NO. 16 1031  
DRA 110

1. This drawing and all its parts, however, are the property of Digital Equipment Corporation and shall not be reproduced or used in any way without the express written permission of Digital Equipment Corporation.



REVISIONS	REV
CHANGE NO	

QTY	DESCRIPTION	PART NO.	ITEM NO.
PARTS LIST			
FIRST USED ON OPTION / MODEL		DRN	DATE
UNLESS OTHERWISE SPECIFIED		CHK D.	DATE
DIMENSION IN INCHES		ENC	DATE
TOLERANCES		PROJ. ENG.	DATE
DECIMALS	FRACTIONS	ANGLES	DATE
± .005	± 1/64	± 0°30'	
FINAL SURFACE QUALITY		PROD.	DATE
REMOVE BURRS AND BREAK SHARP CORNERS			
MATERIAL	NEXT HIGHER ASSY		
USE			
SIZE/CODE	NUMBER	REV.	
D1			

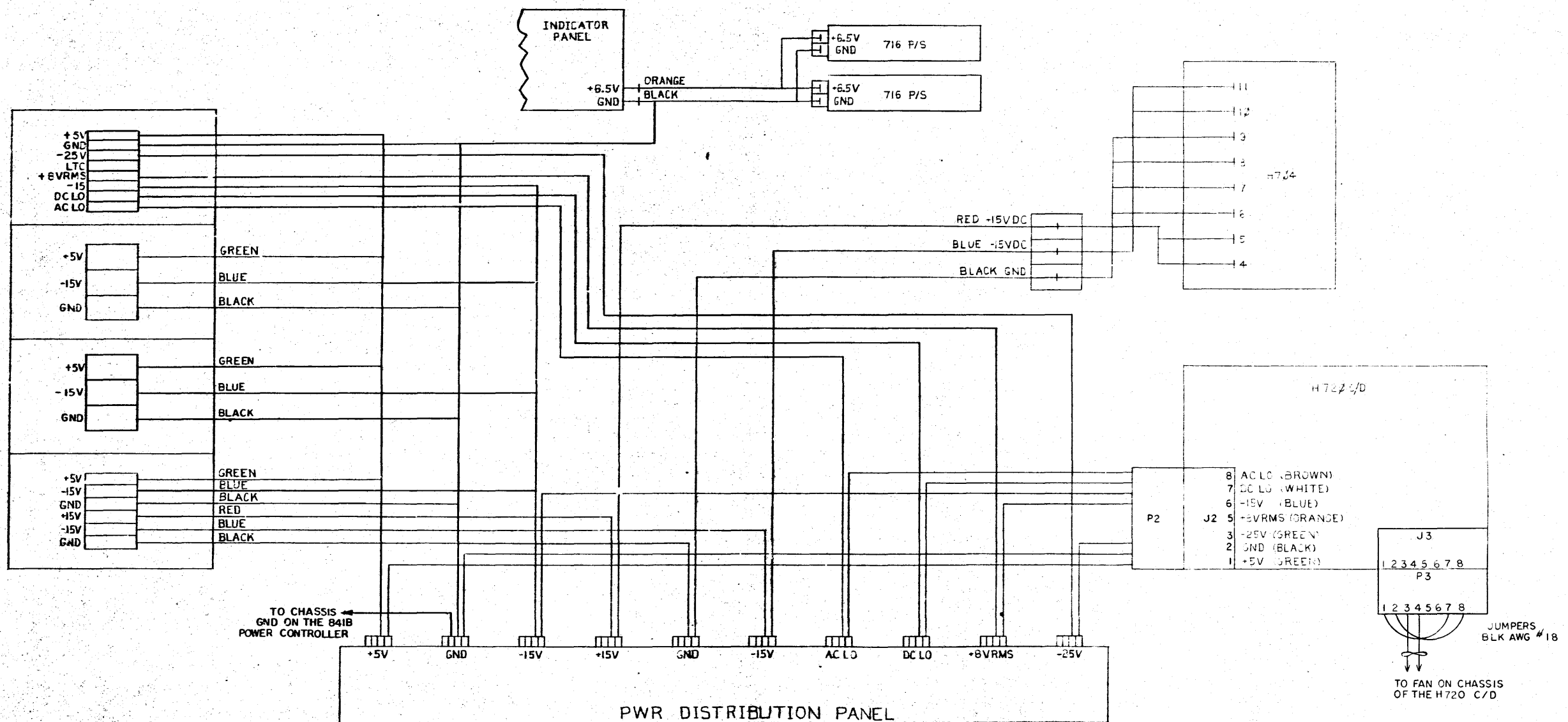
**digital** EQUIPMENT CORPORATION  
MAYNARD, MASSACHUSETTS

TITLE

NUMBER

This drawing and specifications, herein, are the property of Digital Equipment Corporation and shall not be reproduced or copied in whole or in part or the same for the manufacture or sale of any other similar equipment.

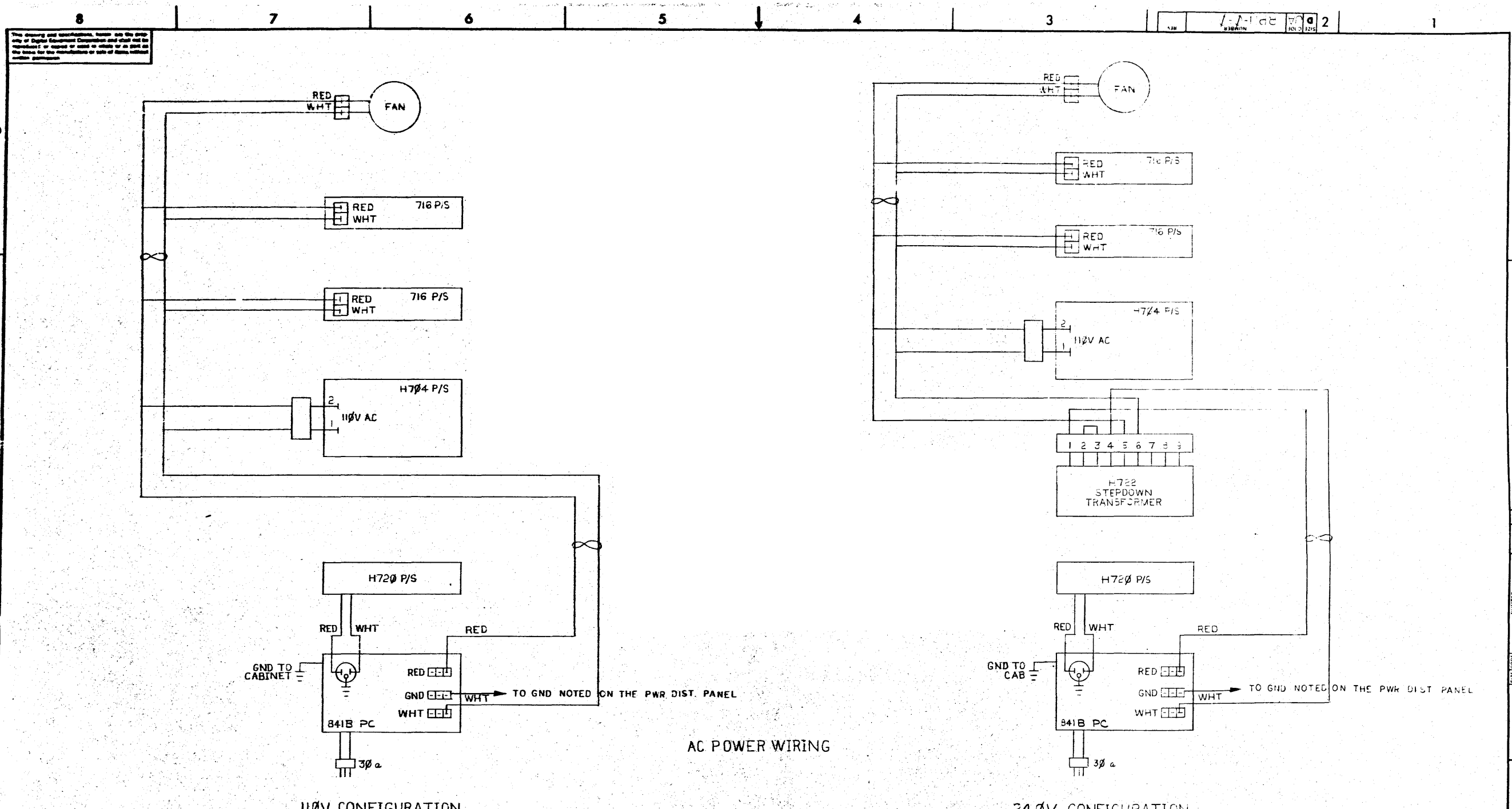
7-7-1100 2



DC POWER WIRING

REV	CHANGE NO	REVISIONS

QTY	DESCRIPTION	PART NO.	ITEM NO.
PARTS LIST			
<b>digital</b> EQUIPMENT CORPORATION MAYNARD, MASSACHUSETTS			
TITLE DISC CONTROL INTERFACE (RPI 1)			
MATERIAL		SIZE CODE	NUMBER
		DJA	RPI-1-2
FINISH		SCALE	REV.
		NONE	



AC POWER WIRING

110V CONFIGURATION

240V CONFIGURATION

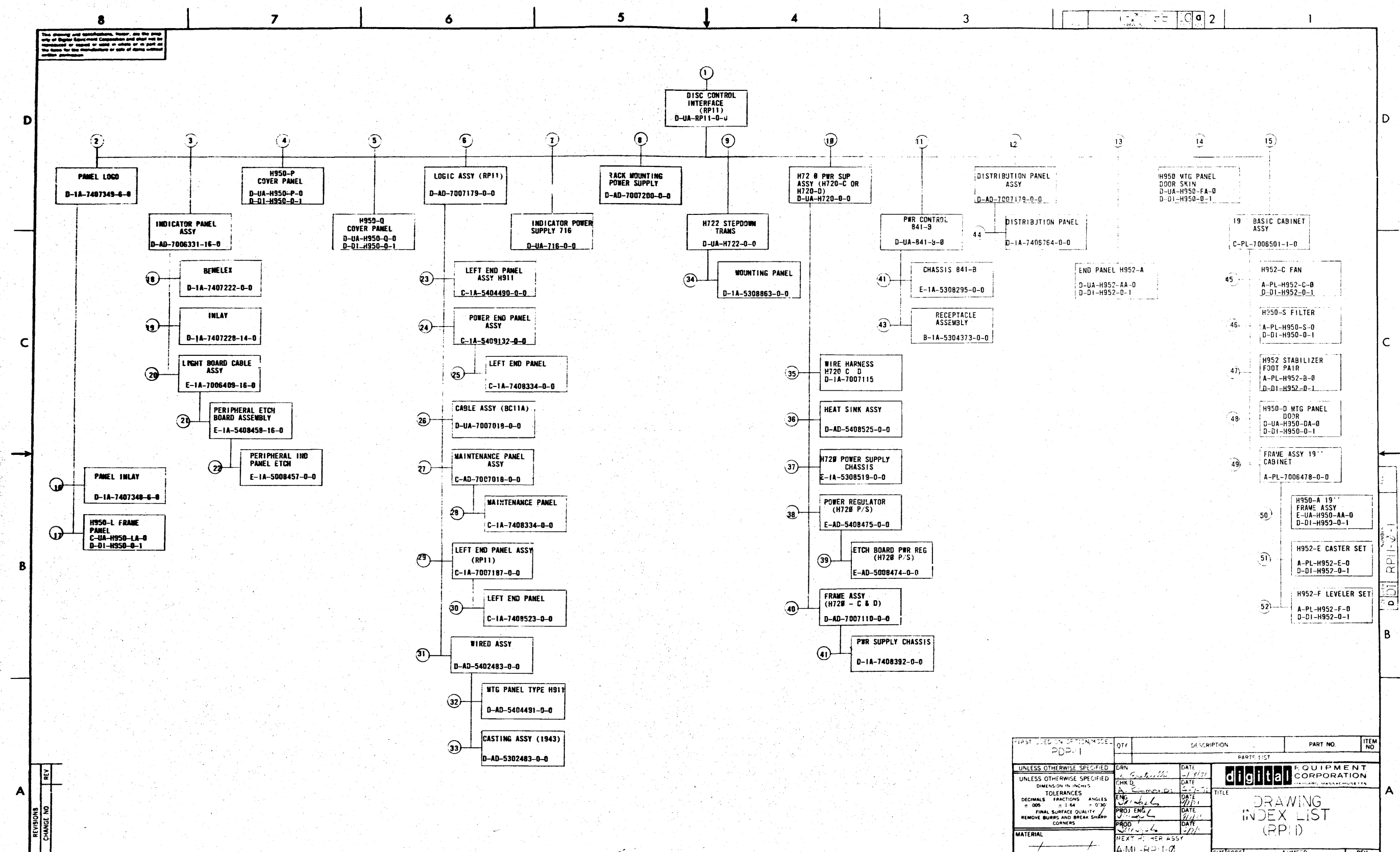
FIRST USED ON OPTION/MODEL	QTY.	DESCRIPTION	PART NO.	ITEM NO.
PDP-11				
PARTS LIST				
<b>digital</b> CORPORATION MAYNARD, MASSACHUSETTS				
TITLE <b>DISC CONTROL INTERFACE (RPI)</b>				
MATERIAL NEXT HIGHER ASSY A-ML-RPI-0				
SIZE/CODE NUMBER REV				

REV.	CHANGE NO.

This drawing and specifications, taken and the copy of Digital Equipment Corporation and shall not be reproduced or copied in whole or in part or in any manner for the manufacture or sale of parts without written permission.

REV. NUMBER  
DUA RPI-0-0

This drawing and specifications, here, are the property of Digital Equipment Corporation and shall not be reproduced or copied in whole or in part, or the form for the manufacture or sale of items, without written permission.



REVISIONS	REV
CHANGE NO	

FIRST USED IN OPTION MODE	QTY	DESCRIPTION	PART NO.	ITEM NO.
PP-1				
PARTS LIST				
UNLESS OTHERWISE SPECIFIED	DRN	DATE	digital EQUIPMENT CORPORATION	
UNLESS OTHERWISE SPECIFIED	CHK'D	DATE	CORPORATION	
DIMENSION IN INCHES	ENG	DATE	TITLE	
TOLERANCES	PROJ ENG	DATE	DRAWING	
DECIMALS FRACTIONS ANGLES	PROD	DATE	INDEX LIST	
= .005 = 1/64 = 0.30	NEXT ASSEMBLY		(RP11)	
FINAL SURFACE QUALITY			SIZE CODE NUMBER REV	
REMOVE BURRS AND BREAK SHARP CORNERS				
MATERIAL				
	A-M-L-RP11-0			

This drawing and specifications herein are the property of Digital Equipment Corporation and shall not be reproduced or copied or used in whole or in part as the basis for the manufacture of any of these without written permission.

MECHANICAL				DEPT USAGE		MECHANICAL				DEPT USAGE		MECHANICAL				DEPT USAGE		ELECTRICAL				DEPT USAGE		
FIND NO	DESCRIPTION	PART NO	PROD	CUST	F/C	FIND NO	DESCRIPTION	PART NO	PROD	CUST	F/C	FIND NO	DESCRIPTION	PART NO	PROD	CUST	F/C	FIND NO	DESCRIPTION	PART NO	PROD	CUST	F/C	
1	DISC CONTROL INTERFACE (RP11) DISC CONTROL INTERFACE (RP11)(PL) MTG PANEL 841-B P.C. BLANK PANEL (S 94) BLANK PANEL (10 44)	D-UA-RP11-B-0 A-PL-RP11-B-0 D-MD-7407467-0-0 B-S100 B-S100				15	BASIC CABINET ASSY KICK PLATE	C-PL-7006501-1-0 C-MD-7406782-0-0				32	MTG PANEL TYPE H911 MTG PANEL TYPE H911 (PL) 288 PIN CONN BLOCK TYPE #H983	D-AD-5404491-0-0 A-PL-5404491-0-0 E-SC-1205348-0-0				49	FRAME ASSY 191N CAB	A-PL-7006478-0-0				
2	PANEL LOGO	D-1A-7407349-0-0				16	PANEL INLAY LOGO COLOR LOGO COLOR	D-1A-7407348-0-0 C-SS-7407348-0-1 C-SS-7407348-0-2				33	CASTING ASSY (1943) CASTING ASSY (1943) (PL) 1943 FRAME CASTING	D-AD-5302483-0-0 D-AD-5302483-0-0 E-MD-1202885-0-0				50	H950-A 191N FRAME ASSY H950-A 191N FRAME ASSY (PL) DWG INDEX H950	E-VA-H950-AA-0 A-PL-H950-AA-0 D-D1-H950-0-1				
3	INDICATOR PANEL ASSY INDICATOR PANEL ASSY (PL) 5 1/4 IN SNAP ON BEZEL LATCH MOUNTING MTG BKT BEZELX	D-AD-7006331-16-0 A-PL-7006331-16-0 B-SC-1209226-0-0 C-SC-1209224-0-0 C-MD-7407086-3-0				17	H950-L FRAME PANEL H950-L FRAME PANEL (PL) DWG INDEX H950	C-UA-H950-LA-0 A-PL-H950-LA-0 D-D1-H950-0-1				34	MOUNTING PANEL	D-1A-5308863-0-0				51	H952-E CASTER SET DWG INDEX H952	A-PL-H952-E-0 D-D1-H952-0-1				
4	H950-P COVER PANEL H950-P COVER PANEL (PL) DWG INDEX H950	D-UA-H950-P-0 A-PL-H950-P-1 C-D1-H950-0-1				18	BENELX	D-1A-7407222-0-0				35	WIRE HARNESS H720 C&D	D-1A-7007115-0-0				52	H952-F LEVELER SET DWG INDEX H952	A-PL-H952-F-0 D-D1-H952-0-1				
5	H950-Q COVER PANEL H950-Q COVER PANEL (PL) DWG INDEX H950	D-UA-H950-Q-0 A-PL-H950-Q-0 D-D1-H950-0-1				19	INLAY PANEL FRONT SCREEN REAR SCREEN	D-1A-7407228-140 D-MD-7408131-1-0 C-SS-7407228-0-1 C-SS-7407228-0-2				36	HEAT SINK ASSY HEAT SINK ASSY (PL) HEAT SINK TRANSFORMER COIL	D-AD-5408525-0-0 A-PL-5408525-0-0 C-SC-1209685-0-0 C-SC-1609762-0-0										
6	LOGIC ASSY (RP11) LOGIC ASSY (RP11)(PL) RIGHT END PANEL	D-AD-7007179-0-0 A-PL-7007179-0-0 C-MD-5302486-0-0				20	LIGHT BOARD CABLE ASSY	E-1A-7006409-16-0				37	H720 POWER SUPPLY CHASSIS	E-1A-308519-0-0										
7	INDICATOR POWER SUPPLY 716 INDICATOR POWER SUPPLY 716 (PL) W76 P.S. PANEL TERMINAL BRACKET MTG 716 POWER SUPPLY DECAL	D-1A-716-0-0 A-PL-716-0-0 D-MD-5308466-0-0 B-MD-5308465-0-0 A-DC-5308448-0-0				21	PERIPHERAL ETCH BOARD ASSEMBLY	E-1A-5408458-16-0				38	POWER REGULATOR (H720 P.S.) POWER REGULATOR (H720 P.S.)(PL) HEAT SINK CIRCUIT SCHEMATIC X-Y COORDINATE HOLE LOCATION ASSY DRILLING HOLE LAYOUT	E-AD-5408475-0-0 A-PL-5408475-0-0 B-MD-5308733-0-0 D-CS-5408475-0-1 K-CO-5408475-0-4 D-AH-5408475-0-5										
8	RACK MOUNTING POWER SUPPLY RACK MOUNTING POWER SUPPLY (PL) POWER SUPPLY MOUNTING PANEL POWER SUPPLY MTG BRKT TERMINAL STRIP COVER (141 8541)	D-AD-7007200-0-0 A-PL-7007200-0-0 D-MD-7408540-0-0 C-MD-790-0-1-0-2 C-MD-7408463-5-8				22	PERIPHERAL IND PANEL ETCH X-Y COORDINATE HOLE LOCATION ASSY DRILLING HOLE LAYOUT	E-1A-5008457-0-0 K-CO-5408458-0-4 C-AH-5408458-0-5				39	ETCH BOARD PWR REG (H720 P.S.) ASSY DRILLING HOLE LAYOUT PRINTED CIRCUIT LAYOUT	E-1A-5008474-0-0 E-AH-5408475-0-5 P.C.-5008474										
9	H722 STEPODOWN TRANS H722 STEPODOWN TRANS (PL) DECALS H722 PROTECTION COVER 541 (STERM)	D-UA-H722-0-0 A-PL-H722-0-0 D-DC-5308843-0-0 B-MD-5302903-0-0				23	LEFT END PANEL ASSY H911 H911 MOUNTING PANEL LABEL LEFT END PANEL	C-1A-5404490-0-0 A-DC-5504487-0-0 C-MD-5302485-0-0				40	FRAME ASSY (H720-C&D) FRAME ASSY (H720-C&D) (PL) FAN SCREEN	D-AD-7007110-0-0 A-PL-7007110-0-0 C-MD-7404881-0-0										
10	H720 PWR SUP ASSY (H720-C OR H720-D) H720 PWR SUP ASSY (H720-C OR H720-D)(PL) PWR SUPPLY COVER BRKT SUPPORT CAPACITOR BRKT P.S. DECALS P.S. DECALS (120V) P.S. DECALS (240V) CIRCUIT SCHEMATIC ADJUSTMENT PROCEDURE COVER (541 TERRESTRIAL) PROTECTION	D-UA-H720-0-0 A-PL-H720-0-0 C-MD-5308518-0-0 C-MD-5308521-0-0 D-MD-5308520-0-0 B-DC-5308524-0-0 A-DC-5308771-0-0 A-DC-5308772-0-0 D-CS-H720-0-1 A-SP-H720-0-7 B-MD-100156-12				24	POWER END PANEL ASSY	C-1A-5408132-0-0				41	PWR SUPPLY CHASSIS	D-1A-7408392-0-0										
11	PWR CONTROL 841-B PWR CONTROL 841-B (PL) DECAL 841-B COVER	D-UA-841-B-0 D-UA-841-B-0 B-SS-5308302-0-0 D-MD-5308214-0-0				25	LEFT END PANEL SILK SCREEN	C-1A-5509177-0-0 A-SS-5509177-0-1				42	CHASSIS 841-B	E-1A-5308295-0-0										
12	DISTRIBUTION PANEL ASSY DISTRIBUTION PANEL ASSY (PL) BACK PANEL DISTRIBUTION DECALS DISTRIBUTION PANEL	D-A-D-7007179-0-0 A-PL-7007179-0-0 C-MD-7406785-0-0 A-DC-7408856-0-0				26	CABLE ASSY (BC11-A) CABLE CLAMP EXT. BUS CONN BUS CONN	D-UA-BC11A-0-0 C-SC-1209764-0-0 A-PL-M919-0-0 A-PL-M929-0-0				43	RECEPTACLE ASSEMBLY	B-1A-5304373-0-0										
13	END PANEL H952-A END PANEL H952-A (PL) DWG INDEX H952	D-UA-H952-AA-0 A-PL-H952-AA-0 D-D1-H950-0-1				27	MAINTENANCE PANEL ASSY MAINTENANCE PANEL ASSY (PL)	C-AD-7007019-0-0 A-PL-7007018-0-0				44	DISTRIBUTION PANEL	D-1A-7406764-0-0										
14	H950-F MTG PANEL DOOR SKIN H950-F MTG PANEL DOOR SKIN (PL) DWG INDEX H950	D-UA-H950-FA-0 A-PL-H950-FA-0 D-D1-H950-0-1				28	MAINTENANCE PANEL SILK SCREEN	C-1A-7408334-0-0 B-SS-7408334-0-1				45	H952-C FAN DWG INDEX H952	A-PL-H952-C-0 D-D1-H952-0-1										
						29	LEFT END PANEL ASSY (RP11)	C-1A-7007187-0-0				46	H950-S FILTER DWG INDEX H950	A-PL-H950-S-0 D-D1-H950-0-1										
						30	LEFT END PANEL SILK SCREEN	C-1A-7408523-0-0 A-SS-7408523-0-1				47	H952 STABILIZER FOOT PAIR DWG INDEX H952	A-PL-H952-B-0 D-D1-H952-0-1										
						31	WIRED ASSY WIRED ASSY (PL) LOGIC FRAME DECALS 288 PIN BLOCK TYPE H983	D-AD-7007131-0-0 A-PL-7007131-0-0 A-DC-7406371-0-0 E-SC-1205348-0-0				48	H950-D MTG PANEL DOOR H950-D MTG PANEL DOOR (PL) DWG INDEX H950	D-UA-H950-DA-0 A-PL-H950-DA-0 D-D1-H950-0-1										

REVISIONS  
CHANGE NO

REV	NO	DESCRIPTION

DATE  
CHKD  
DATE  
ENG  
DATE  
PROJ ENG  
DATE  
PROD  
DATE  
SCALE  
NONE

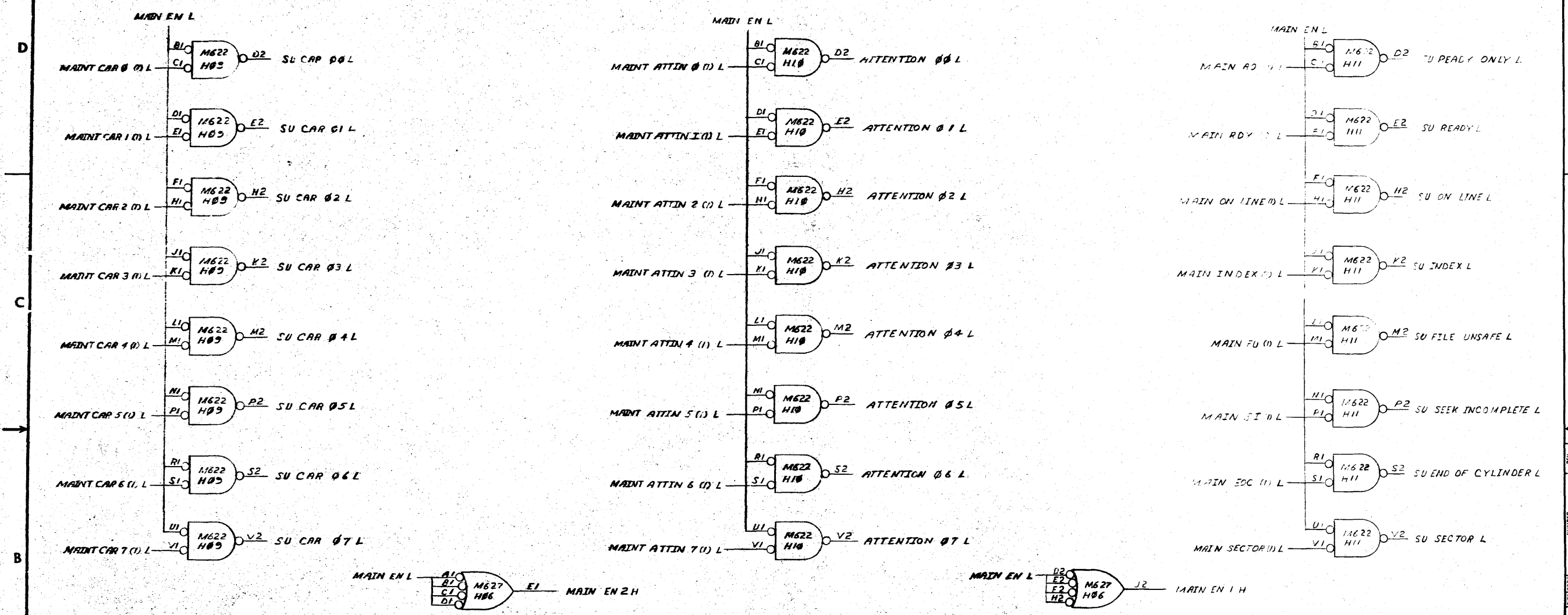
**digital** EQUIPMENT CORPORATION  
DRAWING INDEX LIST  
RP11

SCALE NONE  
D 01  
PP11-6-1  
REV





This drawing and specifications herein are the property of Digital Equipment Corporation and shall not be reproduced in whole or in part or in any form without the express written permission of Digital Equipment Corporation.

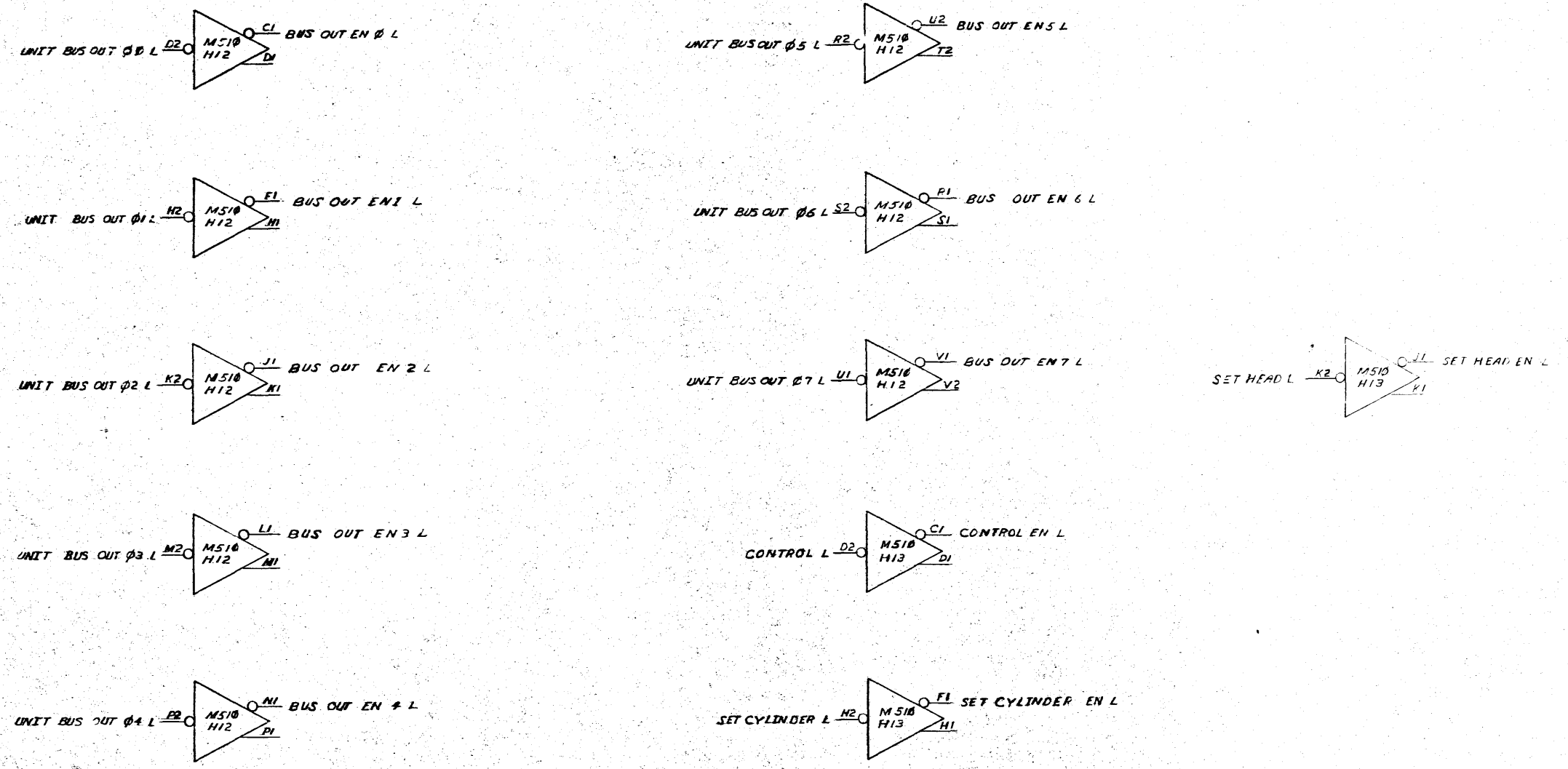


REV.	CHG. NO.	DATE	BY
1	1	10-2-71	HOPKINS

FIRST USED ON OPTION / MODEL POP-11	DO NOT SCALE DRAWING UNLESS OTHERWISE SPECIFIED DIMENSION IN INCHES	DRN CHKD DATE DATE DATE DATE DATE DATE	DATE 7-26-71 3-5-71 9/3/71 4/7/71 4/7/71	DESCRIPTION PARTS LIST	PART NO.	ITEM NO.
DECIMALS FRACTIONS ANGLES ± .005 ± 1/64 ± 0°30' FINAL SURFACE QUALITY REMOVE BURRS AND BREAK SHARP CORNERS				TITLE <b>MAINTENANCE</b> EQUIPMENT CORPORATION MAYNARD, MASSACHUSETTS		
MATERIAL		NEXT HIGHER ASSY		SCALE	NONF	REV. A
FINISH		SCALE		SIZE CODE	NUMBER	REV. A
				DPS RP11-0-02		

This drawing and specifications, herein, are the property of Digital Equipment Corporation and shall not be reproduced or copied in whole or in part or the name for the manufacturer or type of items without written permission.

REV A  
 NUMBER  
 22-0-1118  
 SIZE CODE  
 2



REV.	CHANGE NO.

FIRST USED ON OPTION/MODEL  
 PDP-11

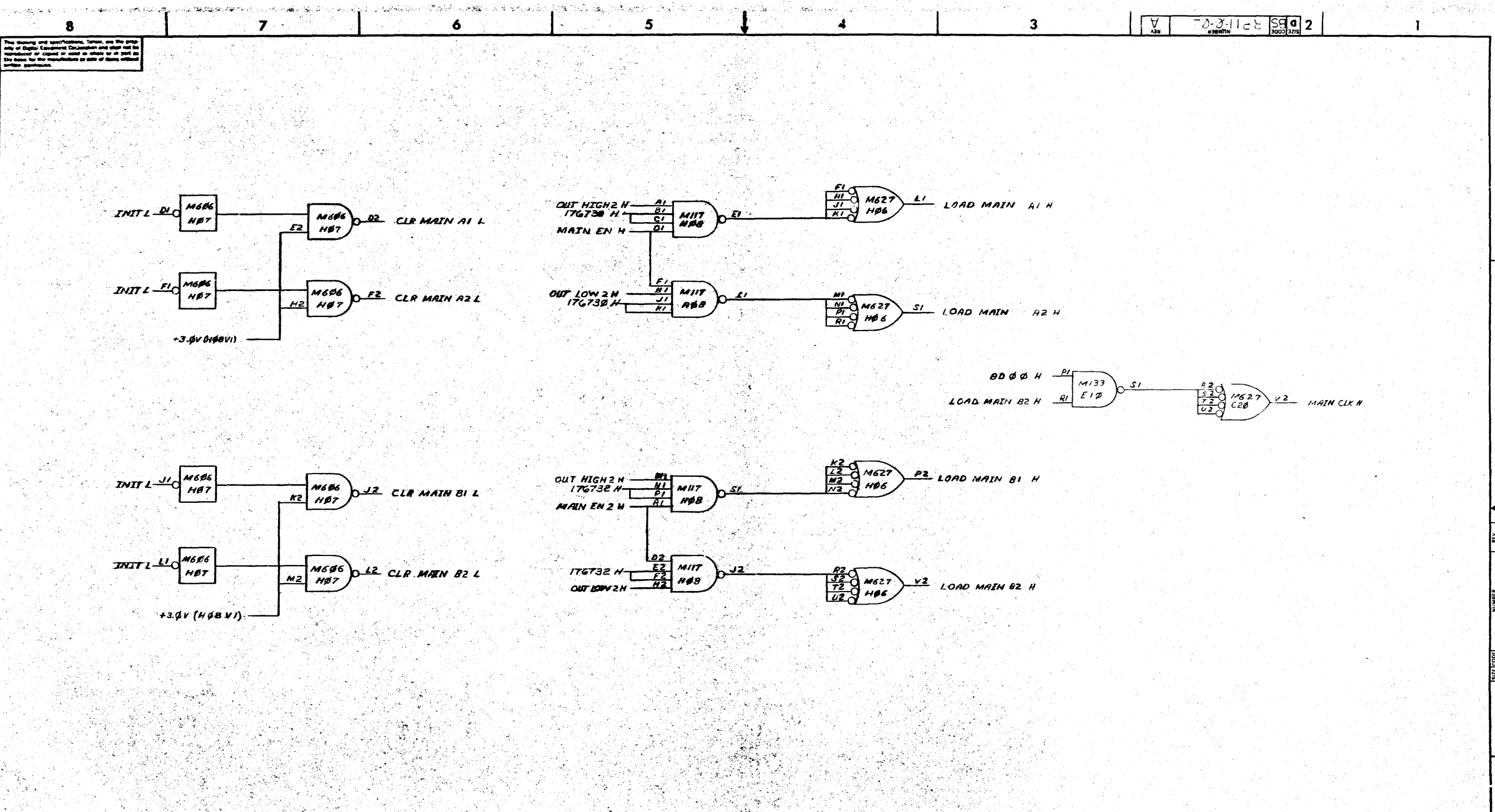
DO NOT SCALE DRAWING	DRW 3/1/72	DATE
UNLESS OTHERWISE SPECIFIED	CHK'D A. Raymond	DATE 3-5-72
TOLERANCES	ENG 2/1/72	DATE 2/1/72
DECIMALS FRACTIONS ANGLES	PROJ. ENG D. Hoyle	DATE 2/1/72
± .005 ± .010 ± .020	PROD M. Hoyle	DATE 2/1/72
REMOVE BURRS AND BREAK SHARP CORNERS	NEXT HIGHER ASSY A-ML-RP11-0	SCALE NONE
MATERIAL	FINISH	

QTY.	DESCRIPTION	PART NO.	ITEM NO.
PARTS LIST			
digital EQUIPMENT CORPORATION MAYNARD, MASSACHUSETTS			
TITLE MAINTENANCE			
SIZE CODE	NUMBER	REV.	
D	BS RP11-0-02	A	

REV A  
 NUMBER  
 22-0-1118  
 SIZE CODE  
 2



This drawing and specifications, taken as the property of Digital Equipment Corporation and shall not be reproduced or copied or used in whole or in part as the basis for the manufacture of any of these without written permission.



REV.	CHANGE NO.

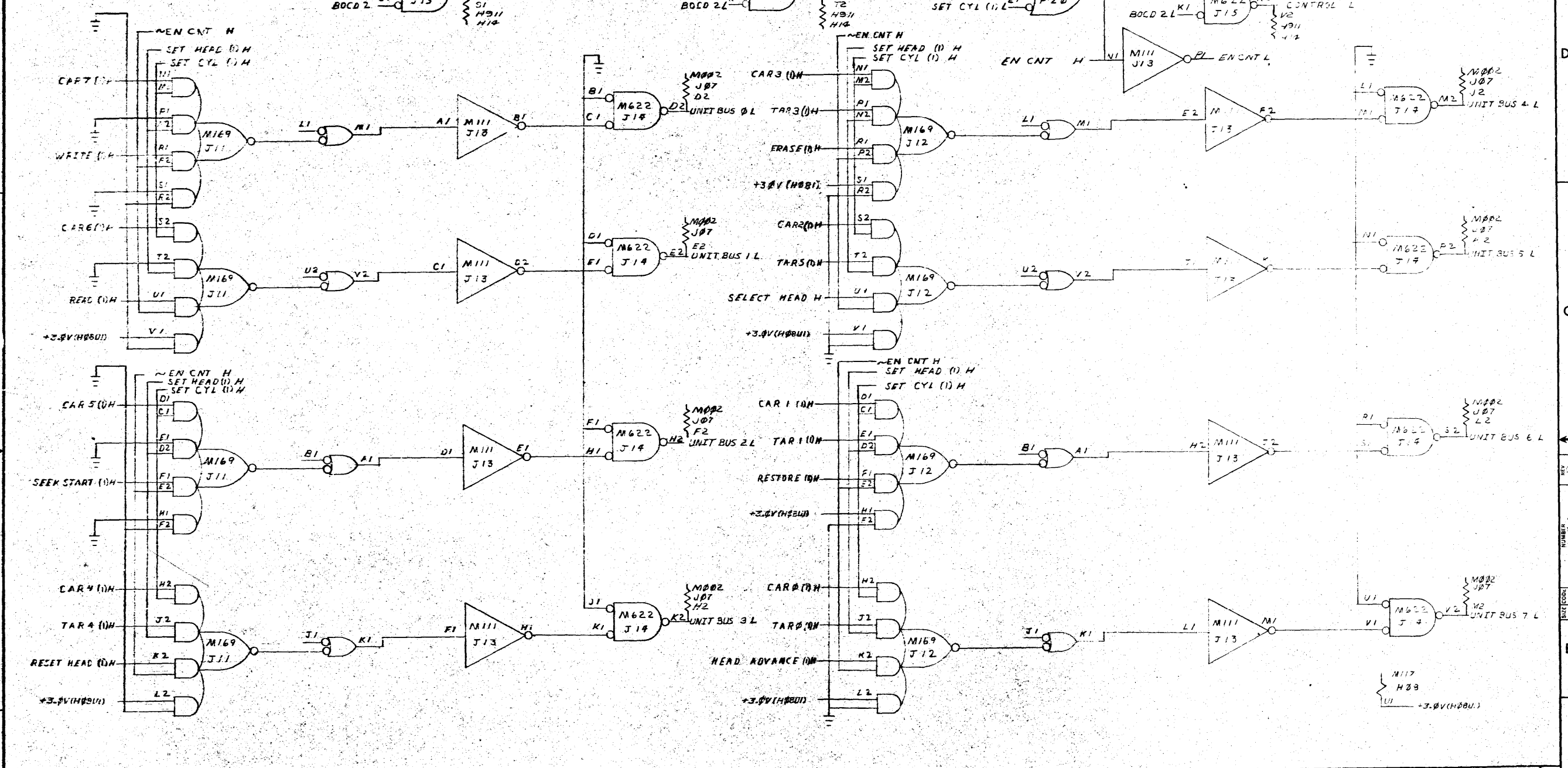
FIRST USED ON OPTION/MODEL  
PDP-11

DO NOT SCALE DRAWING UNLESS OTHERWISE SPECIFIED DIMENSION IN INCHES TOLERANCES DECIMALS FRACTIONS ANGLES ±.005 ±.100 ±.030 FINAL SURFACE QUALITY REMOVE BURS AND BREAK SHARP CORNERS	DRN. <i>W. Macle</i> DATE <i>4/27/71</i> CHK'D. <i>R. G. ...</i> DATE <i>5-5-71</i> ENG. <i>W. Macle</i> DATE <i>4/27/71</i> PROJ. ENG. <i>W. Macle</i> DATE <i>4/27/71</i> PROD. <i>W. Macle</i> DATE <i>4/27/71</i>
MATERIAL FINISH	NEXT HIGHER ASSY AML-RP11-0

QTY.	DESCRIPTION	PART NO.	ITEM NO.
PARTS LIST			
TITLE MAINTENANCE			
SCALE NONE		SIZE CODE D	NUMBER RP11-0-02
		REV A	

REV. A  
 NUMBER  
 D  
 SIZE CODE  
 RP11-0-02

This drawing and specifications, hereon, are the property of Digital Equipment Corporation and shall not be reproduced or copied in whole or in part or the name for the manufacturer or any of its products without permission.



REV	CHANGE NO	DATE	BY	CHK'D
A	000015	7-24-70	D. HOPKINS	
B	000016	8-5-71	D. HOPKINS	
C	000017	8-17-71	D. HOPKINS	
D	000018	8-17-71	D. HOPKINS	

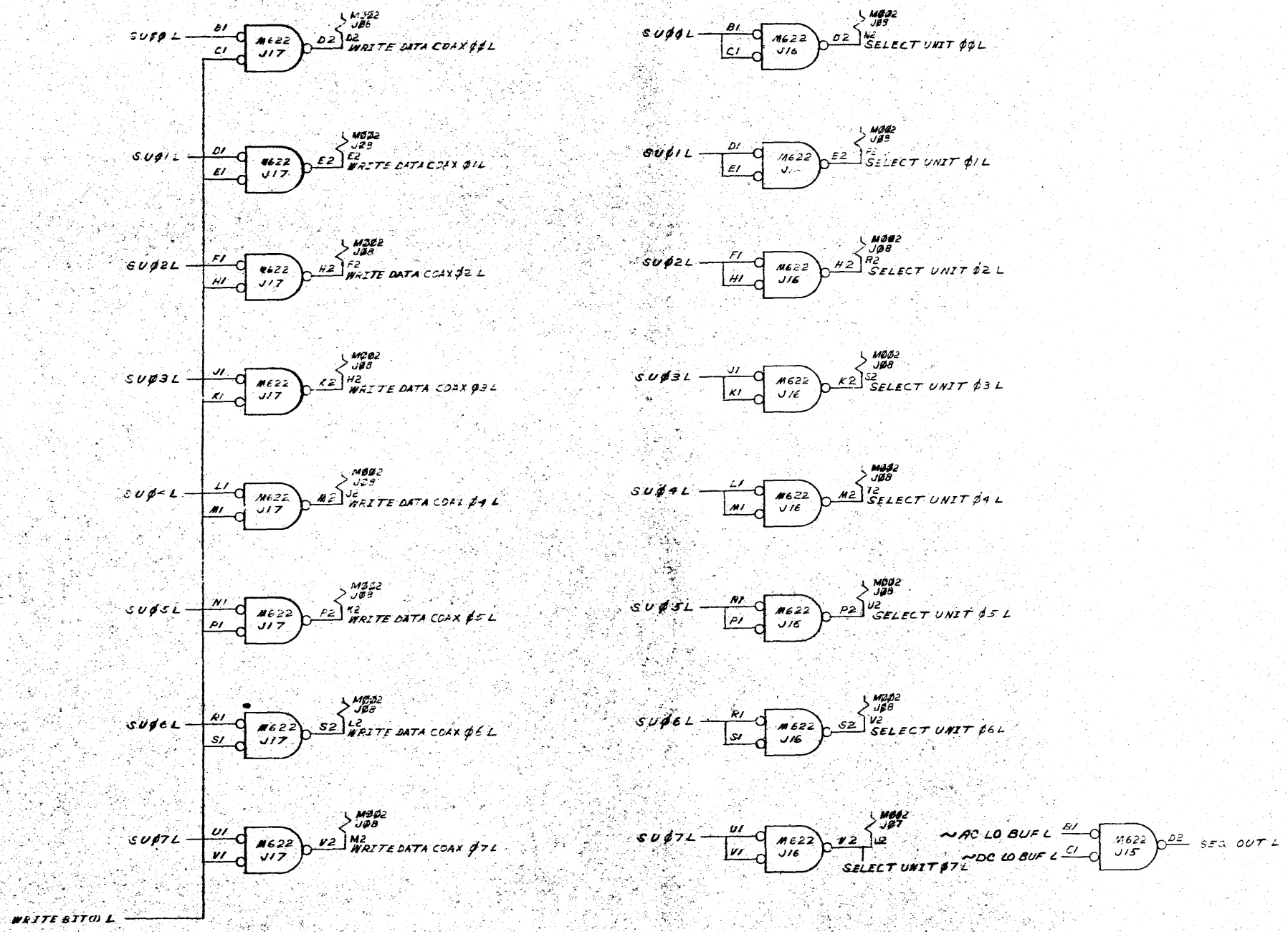
QTY.	DESCRIPTION	PART NO.	ITEM NO.

FIRST USED ON OPTION / MODEL PDP-11	DO NOT SCALE DRAWING UNLESS OTHERWISE SPECIFIED DIMENSION IN INCHES	DRN. DATE CHK'D. DATE ENG. DATE PROJ. ENG. DATE PROD. DATE	DATE DATE DATE DATE DATE
TOLERANCES DECIMALS FRACTIONS ANGLES ±.005 ±.010 ±.020 FINAL SURFACE QUALITY REMOVE BURRS AND BREAK SHARP CORNERS		PARTS LIST <b>digital</b> EQUIPMENT CORPORATION MAYNARD, MASSACHUSETTS	
MATERIAL		TITLE BUS OUT CONTROL	
NEXT HIGHER ASSY		A M P D H X	

The drawing and specifications herein are the property of Digital Equipment Corporation and shall not be reproduced or copied in whole or in part in any form without the written permission of Digital Equipment Corporation.

REV A 2 BS RPII-0-05



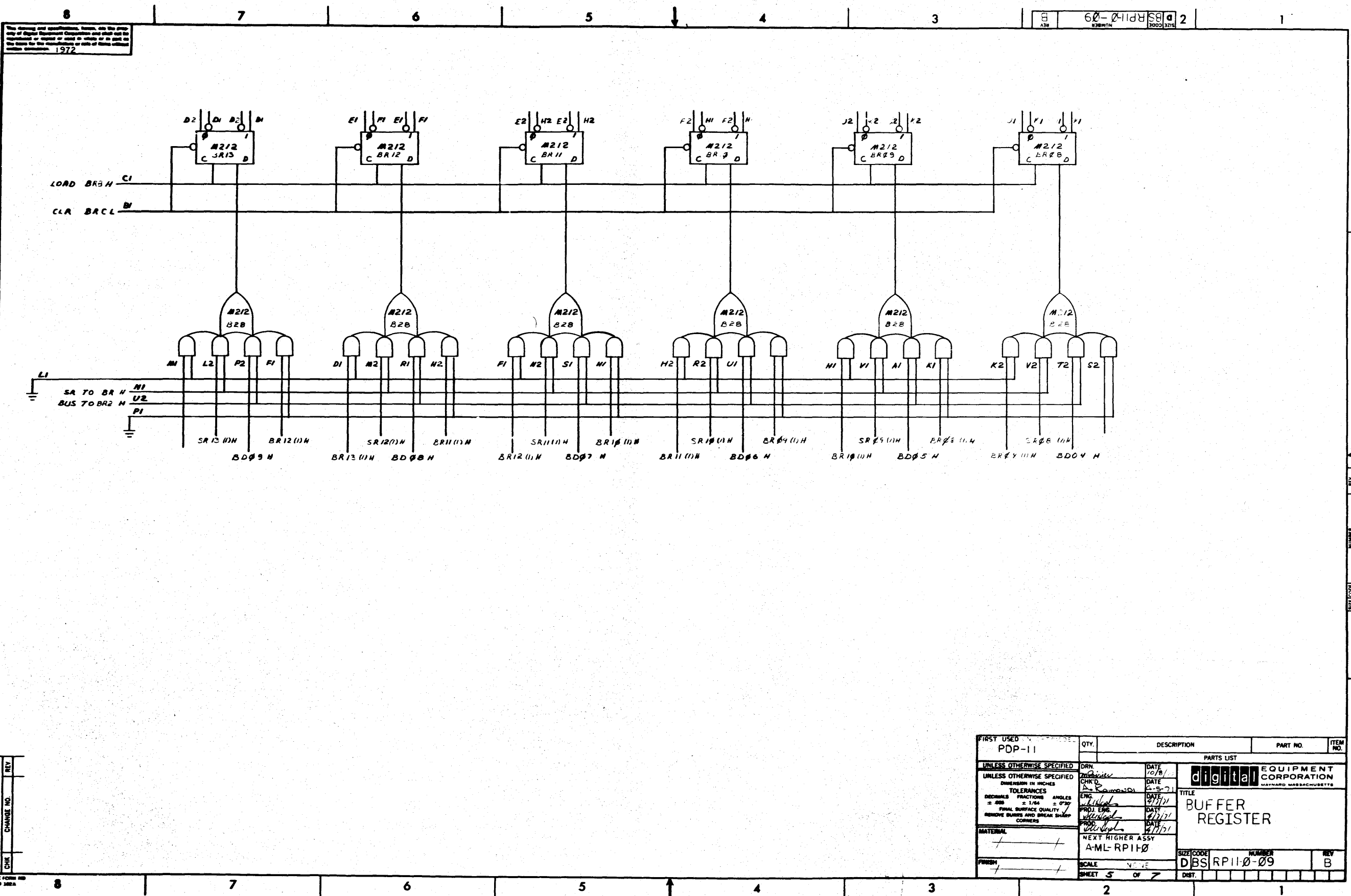
REV	CHANGE NO.	DATE	BY
1	INIT-00005	10-7-71	D. HOPKINS
2			

FIRST USED ON OPTION/ MODEL  
PDR-II

DO NOT SCALE DRAWING  
UNLESS OTHERWISE SPECIFIED  
DIMENSION IN INCHES  
TOLERANCES  
DECIMALS FRACTIONS ANGLES  
± .005 ± .004 ± .020  
FINAL SURFACE QUALITY  
REMOVE BURRS AND BREAK SHARP CORNERS  
MATERIAL

QTY.	DESCRIPTION	PART NO.	ITEM NO.															
	PARTS LIST																	
	<table border="1"> <tr> <td>DRN</td> <td>DATE</td> <td>9-23-71</td> </tr> <tr> <td>CHK'D</td> <td>DATE</td> <td>4-5-71</td> </tr> <tr> <td>ENG</td> <td>DATE</td> <td>8/1/71</td> </tr> <tr> <td>PROJ. ENG.</td> <td>DATE</td> <td>7/1/71</td> </tr> <tr> <td>PROD.</td> <td>DATE</td> <td>7/1/71</td> </tr> </table>			DRN	DATE	9-23-71	CHK'D	DATE	4-5-71	ENG	DATE	8/1/71	PROJ. ENG.	DATE	7/1/71	PROD.	DATE	7/1/71
DRN	DATE	9-23-71																
CHK'D	DATE	4-5-71																
ENG	DATE	8/1/71																
PROJ. ENG.	DATE	7/1/71																
PROD.	DATE	7/1/71																
	<table border="1"> <tr> <td colspan="2">digital EQUIPMENT CORPORATION</td> <td></td> </tr> <tr> <td colspan="2">MAYNARD, MASSACHUSETTS</td> <td></td> </tr> <tr> <td colspan="3">TITLE</td> </tr> <tr> <td colspan="3">DISK DRIVER</td> </tr> </table>			digital EQUIPMENT CORPORATION			MAYNARD, MASSACHUSETTS			TITLE			DISK DRIVER					
digital EQUIPMENT CORPORATION																		
MAYNARD, MASSACHUSETTS																		
TITLE																		
DISK DRIVER																		
	NEXT HIGHER ASSY																	
	A-M-L-RPII-0																	
	SUPPLIER	NUMBER	REV															

REV A  
NUMBER  
D BS RPII-0-05



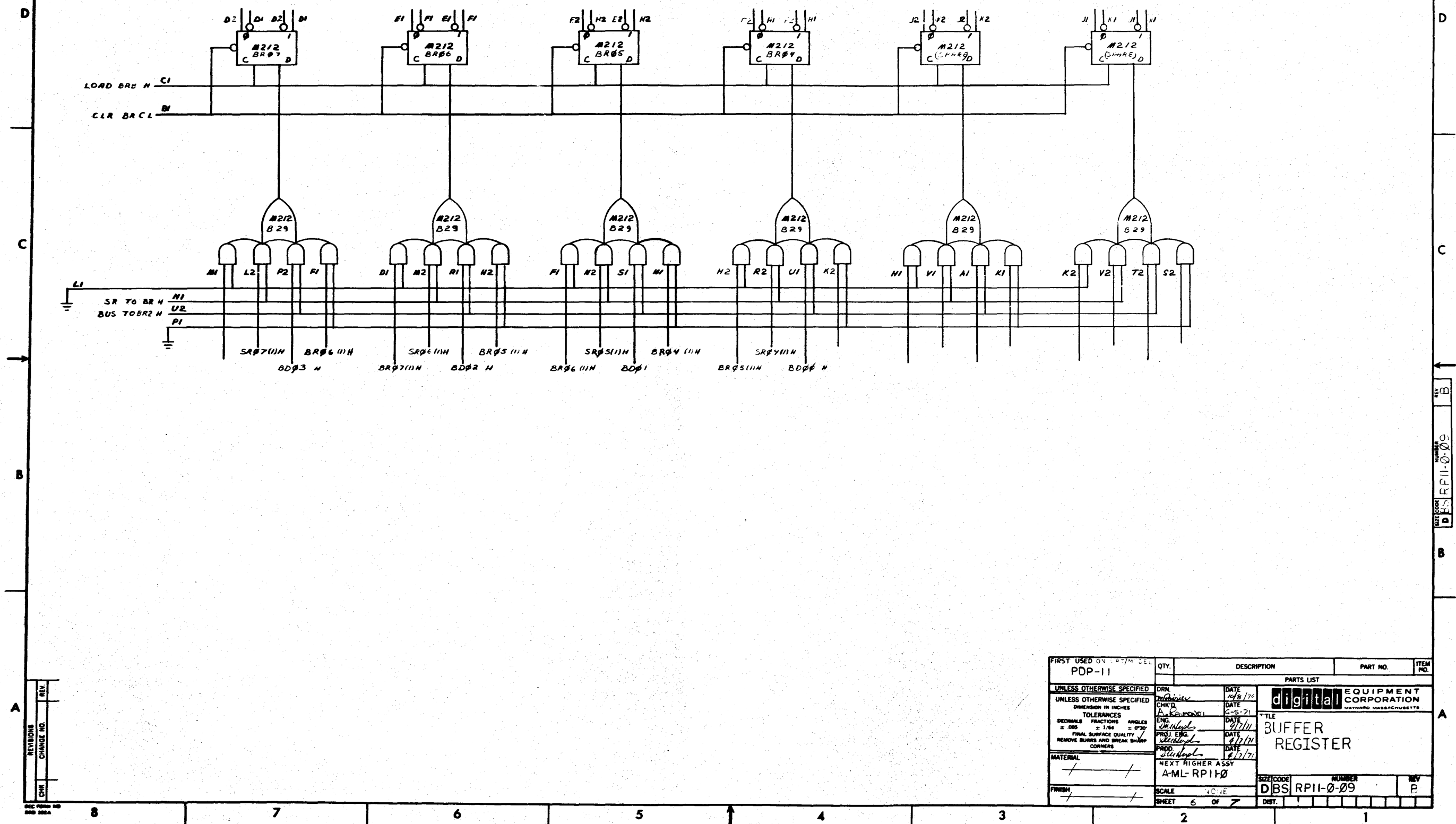
1972

60-0114 2

REV.	CHANGE NO.

DBSRP11-0-09

The drawing and specifications herein, and the property of Digital Equipment Corporation and shall not be reproduced or copied or used in whole or in part in any manner for the manufacturing of parts of other similar equipment. 1972



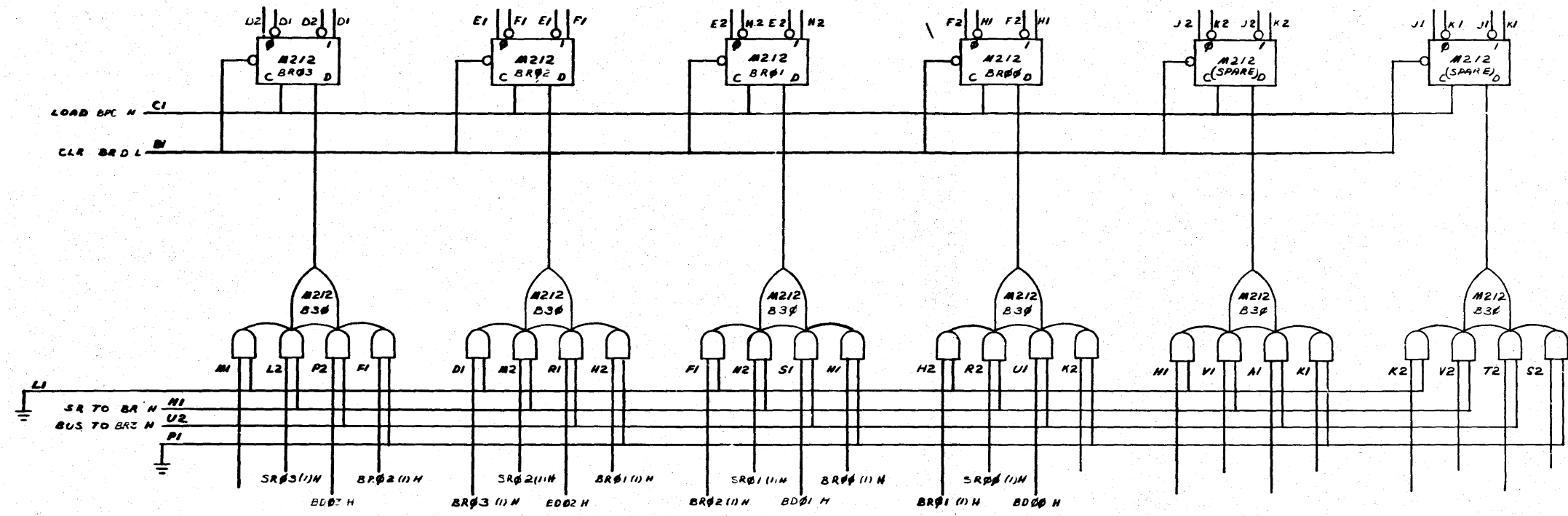
REV.	
CHANGE NO.	
CHK.	
REV.	

FIRST USED ON PDP-11	QTY.	DESCRIPTION	PART NO.	ITEM NO.
PARTS LIST				
UNLESS OTHERWISE SPECIFIED	DRN	DATE	digital EQUIPMENT CORPORATION MAYNARD, MASSACHUSETTS	
UNLESS OTHERWISE SPECIFIED	CHK'D	DATE	TITLE	
DIMENSION IN INCHES	DATE	DATE	BUFFER REGISTER	
TOLERANCES	ENG.	DATE	NEXT HIGHER ASSY	
DECIMALS FRACTIONS ANGLES	DATE	DATE	AML-RP110	
± .005 ± .1/64 ± 90°	PROJ. ENG.	DATE	SCALE	NONE
FINAL SURFACE QUALITY	DATE	DATE	SIZE CODE	NUMBER
REMOVE BURRS AND BREAK SHARP CORNERS	DATE	DATE	DBS RP11-0-09	REV
MATERIAL	DATE	DATE	DIST.	P
FINISH	DATE	DATE	SHEET	6 OF 7



The drawing and specifications herein are the property of Digital Equipment Corporation and shall not be reproduced or copied in whole or in part or the same for the manufacture of parts or other similar purposes.  
1972

REV B  
NUMBER  
D BSRP11-0-09  
SIZE CODE  
2

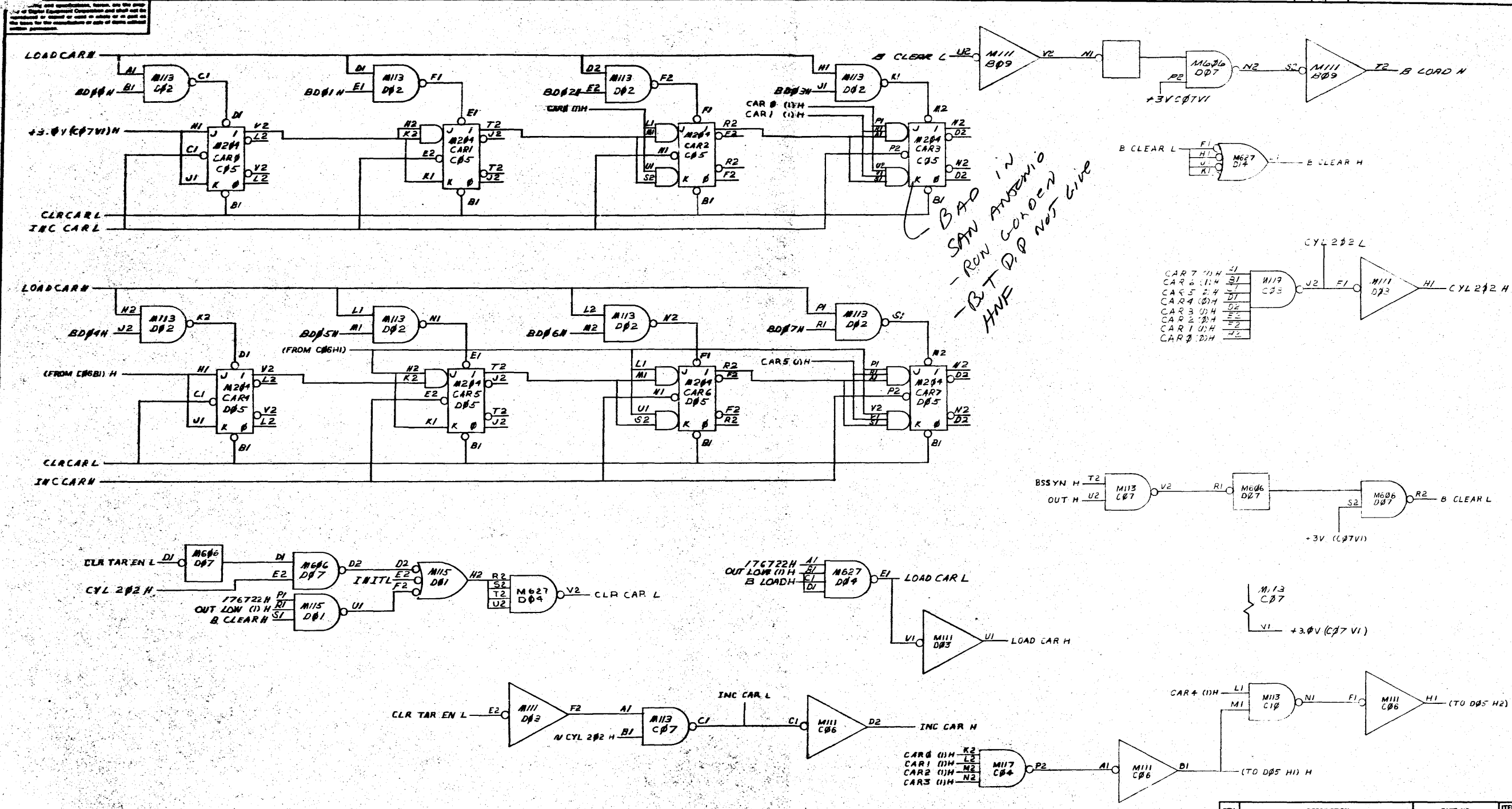


REV	
CHANGE NO	
CHK	

FIRST USED ON PDP-11	QTY.	DESCRIPTION	PART NO.	ITEM NO.
PARTS LIST				
UNLESS OTHERWISE SPECIFIED				
DIM. FINISH		DATE	digital EQUIPMENT CORPORATION	
DIMENSION IN INCHES		DATE	MAYNARD, MASSACHUSETTS	
TOLERANCES		DATE	TITLE	
DECIMALS	FRACTIONS	DATE	BUFFER REGISTER	
± .005	± 1/64	DATE	NEXT HIGHER ASSY	
ANGLES		DATE	A-ML-RP11-0	
± 0°30'		DATE	SCALE NONE	
FINAL SURFACE QUALITY		DATE	SIZE CODE NUMBER	
REMOVE BURRS AND BREAK SHARP CORNERS		DATE	D BSRP11-0-09	
MATERIAL		DATE	REV. B	
FINISH		DATE	SHEET 7 OF 7	
		DATE	DST.	

REV B  
NUMBER  
D BSRP11-0-09





BAD IN  
- SAW ANOTHER  
- BT D.P. NOT GIVE  
HNE

REV.	CHANGE NO.	BY
A	1	D. HOPKINS
B	2	D. HOPKINS
C	3	D. HOPKINS

FIRST USED ON OPTION / MODEL  
PDP-11

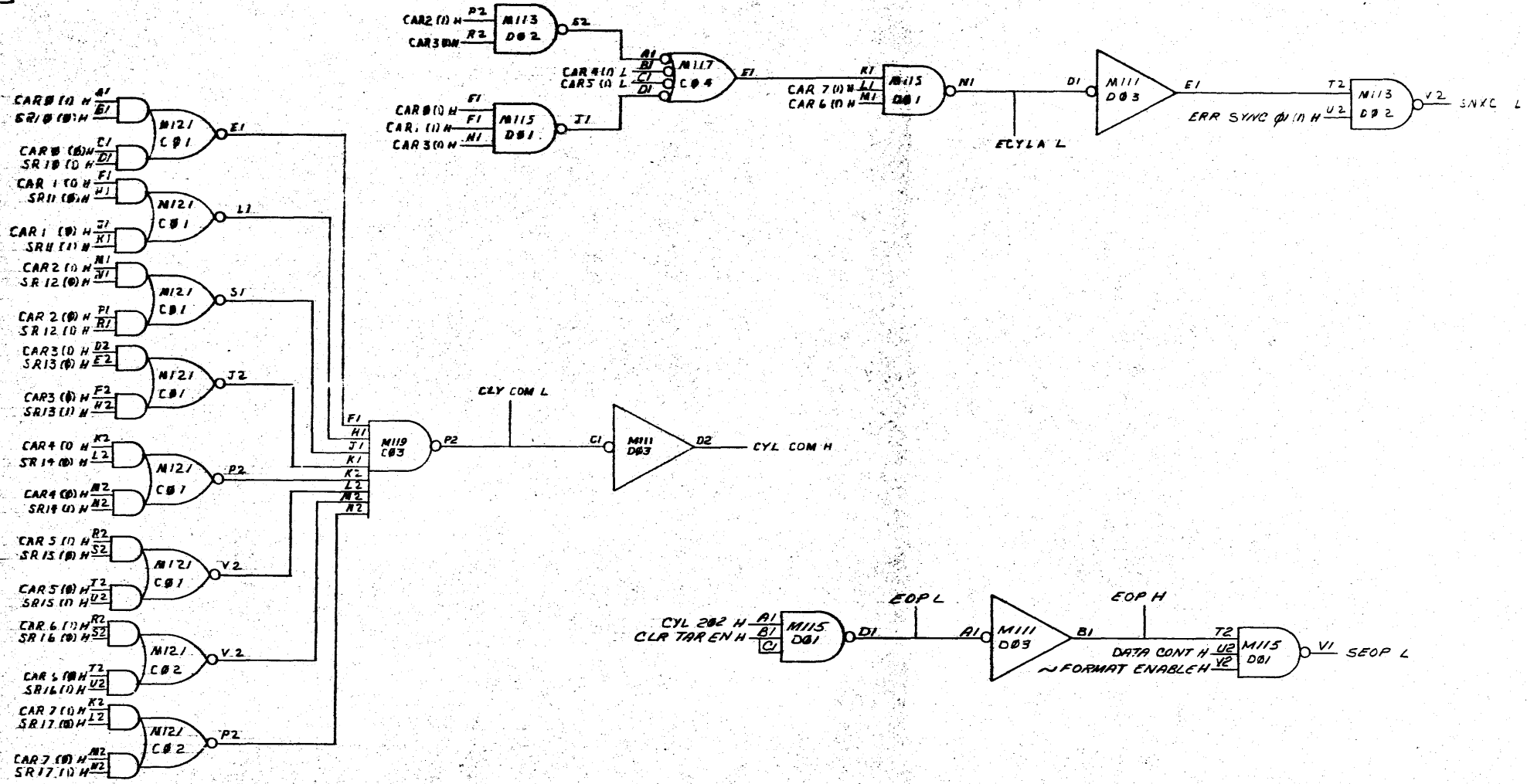
DRN	DATE	2-25-70
CHKD	DATE	3-5-71
ENG	DATE	11/1/71
PROJ. ENG.	DATE	11/1/71
DATE	DATE	11/1/71
DATE	DATE	11/1/71
DATE	DATE	11/1/71
DATE	DATE	11/1/71
DATE	DATE	11/1/71
DATE	DATE	11/1/71

PARTS LIST		PART NO.	ITEM NO.
QTY.	DESCRIPTION		

digital EQUIPMENT CORPORATION  
MAYNARD, MASSACHUSETTS  
TITLE  
CYLINDER ADDRESS REGISTER COMPARATOR  
SIZE CODE DBS RPII-0-11  
NUMBER  
REV C

REV. C  
NUMBER RPII-0-11  
SIZE CODE DBS

This drawing and specifications, here, are the property of Digital Equipment Corporation and shall not be reproduced or copied in whole or in part or in any manner for the manufacture of parts of items without written permission.

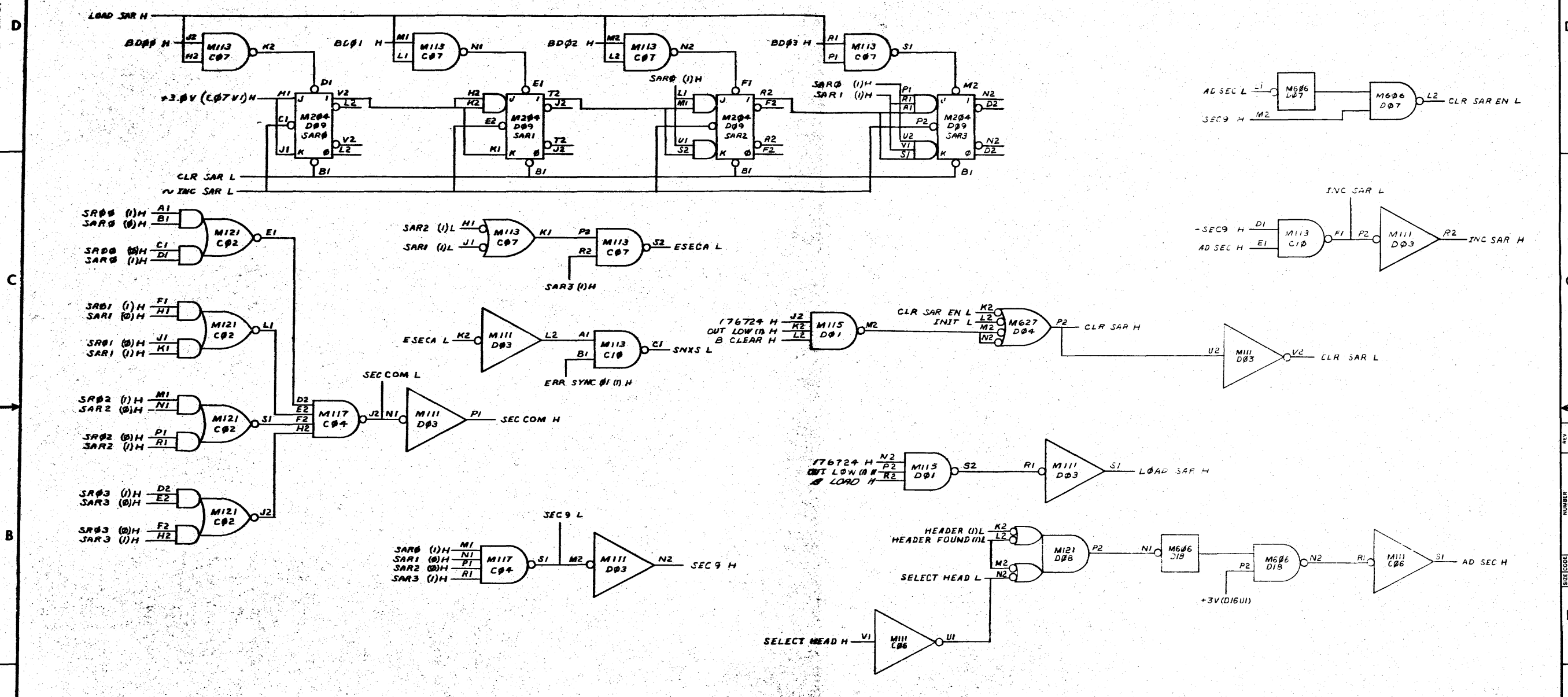


REV.	DATE	BY	CHKD.
A	10-1-77	D. HOPKINS	

FIRST USED ON OPTION / MODEL  
PDP-11

DO NOT SCALE DRAWING	UNLESS OTHERWISE SPECIFIED
TOLERANCES	ANGLES
± .005	± 1/64
± .010	± 0.031
± .015	± 0.062
± .020	± 0.125
± .030	± 0.250
± .040	± 0.500
± .050	± 1.000
± .060	± 2.000
± .070	± 4.000
± .080	± 8.000
± .090	± 16.000
± .100	± 32.000
± .125	± 64.000
± .150	± 128.000
± .175	± 256.000
± .200	± 512.000
± .250	± 1024.000
± .300	± 2048.000
± .375	± 4096.000
± .450	± 8192.000
± .500	± 16384.000
± .600	± 32768.000
± .700	± 65536.000
± .800	± 131072.000
± .900	± 262144.000
± 1.000	± 524288.000
± 1.250	± 1048576.000
± 1.500	± 2097152.000
± 1.750	± 4194304.000
± 2.000	± 8388608.000
± 2.500	± 16777216.000
± 3.000	± 33554432.000
± 3.750	± 67108864.000
± 4.500	± 134217728.000
± 5.000	± 268435456.000
± 6.000	± 536870912.000
± 7.000	± 1073741824.000
± 8.000	± 2147483648.000
± 9.000	± 4294967296.000
± 10.000	± 8589934592.000
± 12.500	± 17179869184.000
± 15.000	± 34359738368.000
± 17.500	± 68719476736.000
± 20.000	± 137438953472.000
± 25.000	± 274877906944.000
± 30.000	± 549755813888.000
± 37.500	± 1099511627776.000
± 45.000	± 2199023255552.000
± 50.000	± 4398046511104.000
± 60.000	± 8796093022208.000
± 70.000	± 17592186044416.000
± 80.000	± 35184372088832.000
± 90.000	± 70368744177664.000
± 100.000	± 140737488355328.000
± 125.000	± 281474976710656.000
± 150.000	± 562949953421312.000
± 175.000	± 1125899906842624.000
± 200.000	± 2251799813685248.000
± 250.000	± 4503599627370496.000
± 300.000	± 9007199254740992.000
± 375.000	± 18014398509481984.000
± 450.000	± 36028797018963968.000
± 500.000	± 72057594037927936.000
± 600.000	± 144115188075855872.000
± 700.000	± 288230376151711744.000
± 800.000	± 576460752303423488.000
± 900.000	± 1152921504606846976.000
± 1000.000	± 2305843009213693952.000
± 1250.000	± 4611686018427387904.000
± 1500.000	± 9223372036854775808.000
± 1750.000	± 18446744073709551616.000
± 2000.000	± 36893488147419103232.000
± 2500.000	± 73786976294838206464.000
± 3000.000	± 147573952589676412928.000
± 3750.000	± 295147905179352825856.000
± 4500.000	± 590295810358705651712.000
± 5000.000	± 1180591620717411303424.000
± 6000.000	± 2361183241434822606848.000
± 7000.000	± 4722366482869645213696.000
± 8000.000	± 9444732965739290427392.000
± 9000.000	± 18889465931478580854784.000
± 10000.000	± 37778931862957161709568.000
± 12500.000	± 75557863725914323419136.000
± 15000.000	± 151115727451828646838272.000
± 17500.000	± 302231454903657293676544.000
± 20000.000	± 604462909807314587353088.000
± 25000.000	± 1208925819614629174706176.000
± 30000.000	± 2417851639229258349412352.000
± 37500.000	± 4835703278458516698824704.000
± 45000.000	± 9671406556917033397649408.000
± 50000.000	± 19342813113834066795298816.000
± 60000.000	± 38685626227668133590597632.000
± 70000.000	± 77371252455336267181195264.000
± 80000.000	± 154742504910672534362390528.000
± 90000.000	± 309485009821345068724781056.000
± 100000.000	± 618970019642690137449562112.000
± 125000.000	± 1237940039285380274899124224.000
± 150000.000	± 2475880078570760549798248448.000
± 175000.000	± 4951760157141521099596496896.000
± 200000.000	± 9903520314283042199193993792.000
± 250000.000	± 19807040628566084398387987584.000
± 300000.000	± 39614081257132168796775975168.000
± 375000.000	± 79228162514264337593551950336.000
± 450000.000	± 158456325028528675187103900672.000
± 500000.000	± 316912650057057350374207801344.000
± 600000.000	± 633825300114114700748415602688.000
± 700000.000	± 1267650600228229401496831205376.000
± 800000.000	± 2535301200456458802993662410752.000
± 900000.000	± 5070602400912917605987324821504.000
± 1000000.000	± 10141204801825835211974649643008.000
± 1250000.000	± 20282409603651670423949299286016.000
± 1500000.000	± 40564819207303340847898598572032.000
± 1750000.000	± 81129638414606681695797197144064.000
± 2000000.000	± 162259276829213363391594394288128.000
± 2500000.000	± 324518553658426726783188788576256.000
± 3000000.000	± 649037107316853453566377577152512.000
± 3750000.000	± 1298074214633706907132755154305024.000
± 4500000.000	± 2596148429267413814265510308610048.000
± 5000000.000	± 519229685853482762853102061722016.000
± 6000000.000	± 1038459371706965525706204123444032.000
± 7000000.000	± 2076918743413931051412408246888064.000
± 8000000.000	± 4153837486827862102824816493776128.000
± 9000000.000	± 8307674973655724205649632987552256.000
± 10000000.000	± 166153499473114484112992659751051008.000
± 12500000.000	± 332306998946228968225985319502102144.000
± 15000000.000	± 664613997892457936451970639004204288.000
± 17500000.000	± 1329227995784915872903941278008408576.000
± 20000000.000	± 2658455991569831745807882556016817152.000
± 25000000.000	± 5316911983139663491615765112033634304.000
± 30000000.000	± 10633823966279326983231530224067268608.000
± 37500000.000	± 212676479325586539664630604481353721728.000
± 45000000.000	± 425352958651173079329261208962707443456.000
± 50000000.000	± 850705917302346158658522417925414886912.000
± 60000000.000	± 1701411834604692317317044835850899737824.000
± 70000000.000	± 3402823669209384634634089671701799475648.000
± 80000000.000	± 6805647338418769269268179343403598951296.000
± 90000000.000	± 13611294676837538538536358686807197902592.000
± 100000000.000	± 27222589353675077077072717373614395805184.000
± 125000000.000	± 54445178707350154154145434747228791610368.000
± 150000000.000	± 108890357414700308308290869494457583221376.000
± 175000000.000	± 217780714829400616616581738988915166442752.000
± 200000000.000	± 435561429658801233233163477977830332885504.000
± 250000000.000	± 871122859317602466466326955955660665771008.000
± 300000000.000	± 1742245718635204932932653911911213311542112.000
± 375000000.000	± 34844914372704098658653078238224266228224.000
± 450000000.000	± 69689828745408197317306156476448532454448.000
± 500000000.000	± 139379657490816394634612312952896648908896.000
± 600000000.000	± 27875931498163278926922462590579397777792.000
± 700000000.000	± 55751862996326557853844925181158795555584.000
± 800000000.000	± 111503725992653115707689850362317591111168.000
± 900000000.000	± 223007451985306231415379700724635182222336.000
± 1000000000.000	± 446014903970612462830759401449270364444672.000
± 1250000000.000	± 892029807941224925661518802898540728889344.000
± 1500000000.000	± 178405961588244985132303764579708145777888.000
± 1750000000.000	± 356811923176489970264607529159416291555776.000
± 2000000000.000	± 713623846352979940529215058318832583111152.000
± 2500000000.000	± 142724769270595988105843011663765166222224.000
± 3000000000.000	± 285449538541191976211686023327530332444448.000
± 3750000000.000	± 57089907708238395242337204665506066488896.000
± 4500000000.000	± 114179815416476790484674409331012133777792.000
± 5000000000.000	± 22835963083295358096934881866202426755544.000
± 6000000000.000	± 45671926166590716193869767332404853511088.000
± 7000000000.000	± 91343852333181432387739534664809707022176.000
± 8000000000.000	± 182687704666362864775479069329619414044352.000
± 9000000000.000	± 365375409332725729550958138659238828088704.000
± 10000000000.000	± 730750818665451459101916277318477656177408.000
± 12500000000.000	± 146150163733090291820383255463695312235488.000
± 15000000000.000	± 292300327466180583640766510927390624470976.000
± 17500000000.000	± 584600654932361167281533021854781248941952.000
± 20000000000.000	± 116920130986472233456306604370956249788384.000
± 25000000000.000	± 23384026197294446691261320874191249957776.000
± 30000000000.000	± 46768052394588893382522641748382499915552.000
± 37500000000.000	± 93536104789177786765045283496764999831104.000
± 45000000000.000	± 187072209578355573530090566993529999662208.000
± 50000000000.000	± 374144419156711147060181133987059999324416.000
± 60000000000.000	± 748288838313422294120362267974119998648832.000
± 70000000000.000	± 149657767662684478824072453594823999729764.000
± 80000000000.000	± 299315535325368957648144907189647999459528.000
± 90000000000.000	± 5986310706507379152962898143792959999191056.000
± 100000000000.000	± 11972621413014758305925796287585919998222112.000
± 125000000000.000	± 23945242826029516611851592575171839996444224.000
± 150000000000.000	± 47890485652059033223703181150343679992888448.000
± 175000000000.000	± 9578097130411806644740636230068735997777896.000
± 200000000000.000	± 1915619426082361328948127246013747995555592.000
± 250000000000.000	± 3831238852164722657896254492027495991111184.000
± 300000000000.000	± 7662477704329445315792508984054991982222368.000
± 375000000000.000	± 15324955408658890631585017968109939764444736.000
± 450000000000.000	± 30649910817317781263170035936219879528889504.000
± 500000000000.000	± 6129982163463556252634007187243975057777908.000
± 600000000000.000	± 1225996432692711250526801437448795011555416.000
± 700000000000.000	± 24519928653854

This drawing and specifications, taken as the property of Digital Equipment Corporation and shall not be reproduced or copied or used in whole or in part in any form for the manufacture or sale of items without written permission.



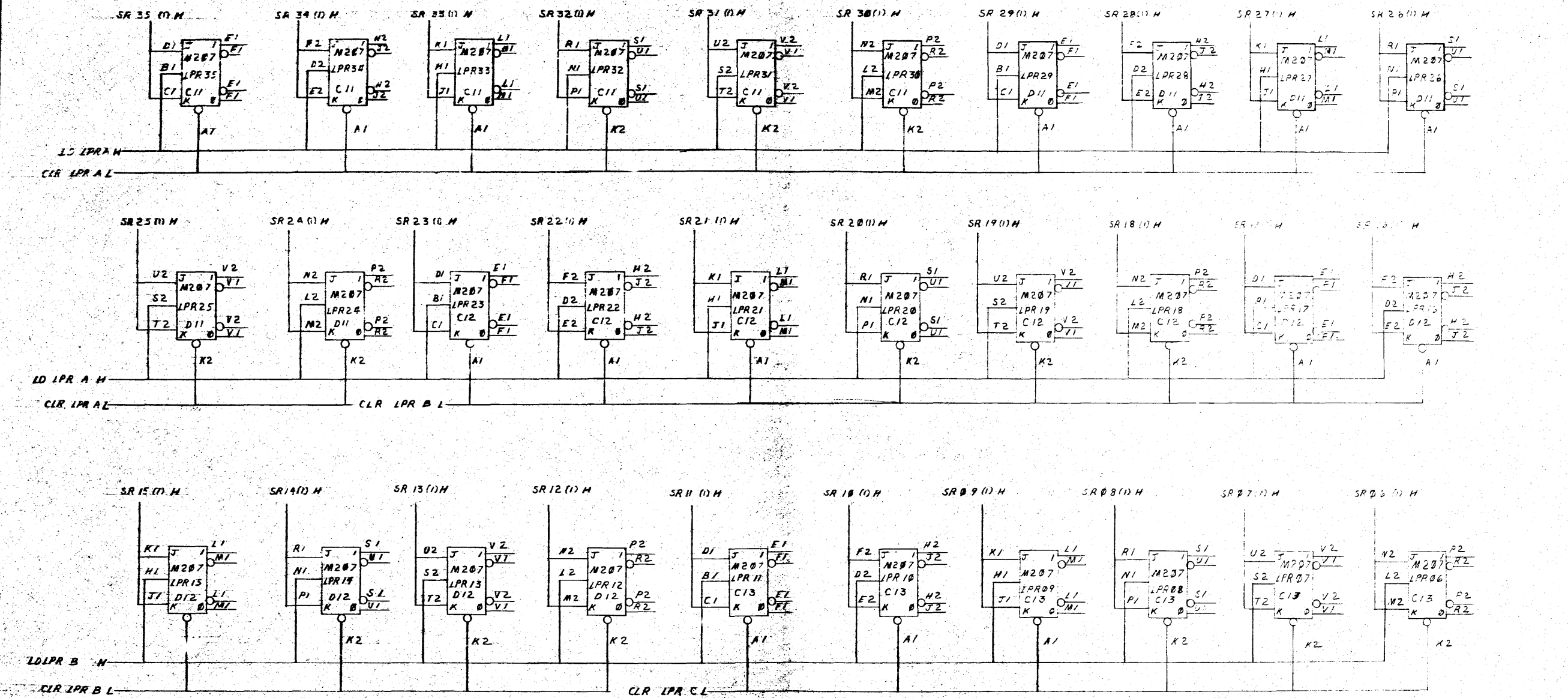
REV.	CHG. NO.	DATE	BY	CHKD.
A	1	10-16-71	D. HOPKINS	
B	2	10-27-71	D. HOPKINS	
C	3	11-17-71	D. HOPKINS	
D	4	11-17-71	D. HOPKINS	

FIRST USED ON OPTION/MODEL  
PDP11

UNLESS OTHERWISE SPECIFIED	DRN. DATE
TOLERANCES	CHK'D. DATE
DECIMALS FRACTIONS ANGLES	ENG. DATE
± .000 ± 1/64 ± 0°30'	PROJ. ENG. DATE
FINISH	PRD. DATE

QTY.	DESCRIPTION	PART NO.	ITEM NO.
PARTS LIST			
digital EQUIPMENT CORPORATION MAYNARD, MASSACHUSETTS			
TITLE SECTOR ADDRESS REGISTER			
NEXT HIGHER ASSY A-ML-RP11-0		SIZE CODE DBS	NUMBER RP11-0-13
SCALE NONE		REV. B	
SHEET 1 OF 1			

This drawing and specifications, herein, are the property of Digital Equipment Corporation and shall not be reproduced or copied in whole or in part, in any form, without the written consent of Digital Equipment Corporation.



REVISIONS	REV.
CHK	RP11-0005 A
D. HOPKINS	10-13-71

FIRST USED ON OPTION/MODEL  
PDP-11

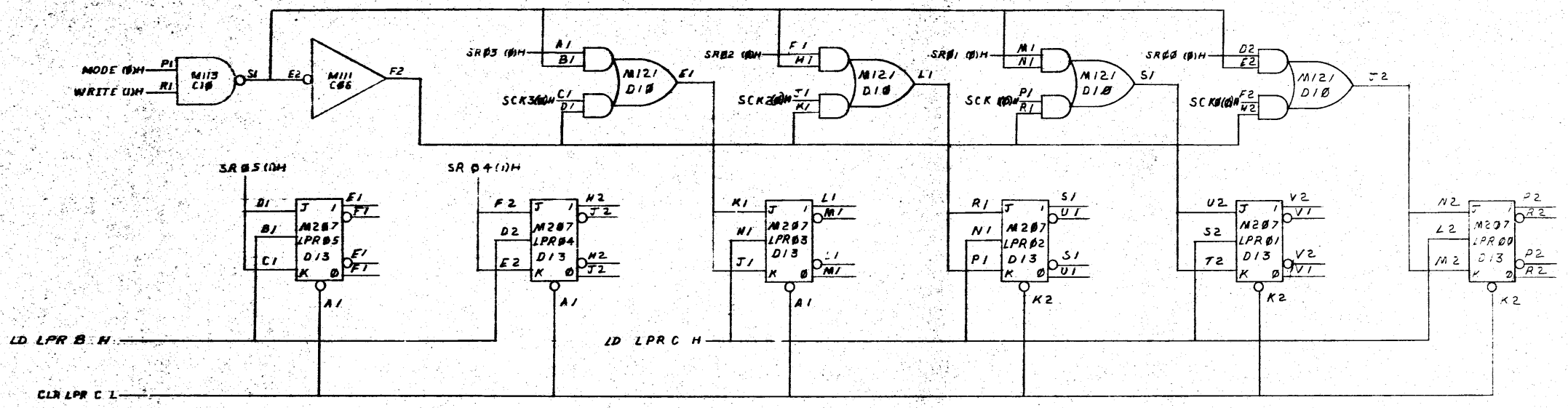
DO NOT SCALE DRAWING  
UNLESS OTHERWISE SPECIFIED  
DIMENSION IN INCHES  
TOLERANCES  
DECIMALS FRACTIONS ANGLES  
± .005 ± 1/64 ± 0°30'  
FINAL SURFACE QUALITY  
REMOVE BURRS AND BREAK SHARP CORNERS

DRAWN: [Signature]  
DATE: 6-5-71  
CHKD: [Signature]  
DATE: 6-5-71  
ENG: [Signature]  
DATE: 6-5-71  
PROJ. ENG: [Signature]  
DATE: 6-5-71  
PROD: [Signature]  
DATE: 6-5-71

QTY.	DESCRIPTION	PART NO.	ITEM NO.
PARTS LIST			
digital EQUIPMENT CORPORATION MAYNARD, MASSACHUSETTS		TITLE LONGITUDINAL PARITY REGISTER	
MATERIAL	NEXT HIGHER ASSY	SIZE CODE	NUMBER
FINISH	A-ML-RP11-0	DBSRP11-Q-14	REV. A
SCALE	NONE	DIST.	
SHEET	1 OF 2		

D B S R P 1 1 - Q - 1 4

This drawing and specifications herein, are the property of Digital Equipment Corporation and shall not be reproduced, in whole or in part, or in any form, without the written permission of Digital Equipment Corporation.



REV.	
CHG.	
CHG.	
CHG.	

FIRST USED ON OPTION / MODEL  
 PDP-11

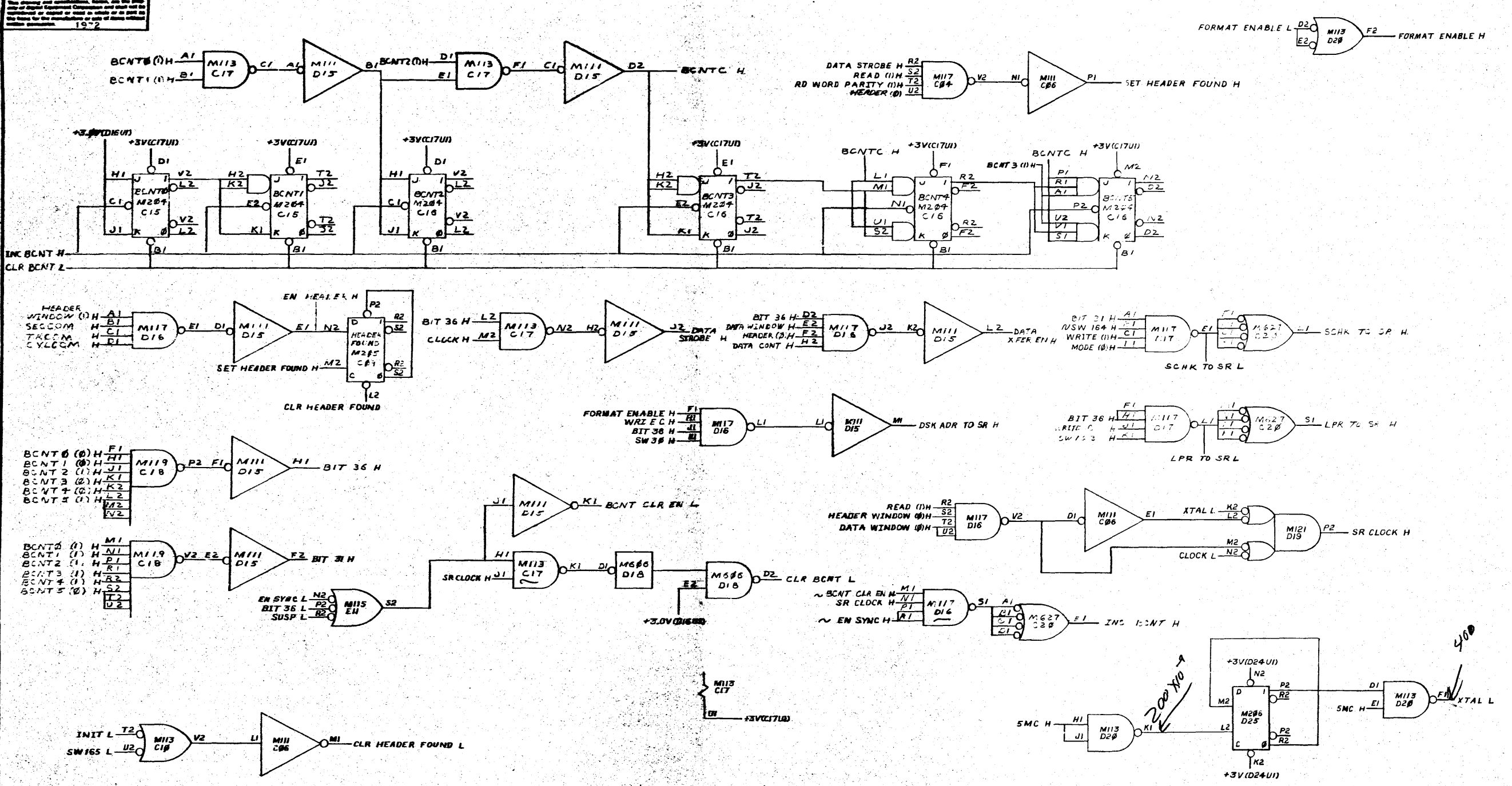
DO NOT SCALE DRAWING  
 UNLESS OTHERWISE SPECIFIED  
 DIMENSIONS IN INCHES  
 TOLERANCES  
 DECIMALS FRACTIONS ANGLES  
 ± .005 ± 1/64 ± 90°  
 FINISH SURFACE QUALITY  
 REMOVE BURRS AND BREAK SHARP CORNERS

DATE 8-23-70  
 DATE 8-5-71  
 DATE 10/2/71  
 DATE 11/1/71  
 DATE 11/1/71

digital EQUIPMENT CORPORATION  
 MAYNARD, MASSACHUSETTS  
 TITLE  
 LONGITUDINAL  
 PARITY REGISTER

SCALE NONE  
 SHEET 2 OF 2  
 SIZE CODE D3S  
 NUMBER RP11-0-14  
 REV A

REV A  
 NUMBER D3S-RP11-0-14  
 SHEET 2 OF 2



REV	CHANGE NO.	DATE	BY	CHKD
A				
B				
C				
D				

FIRST USED ON OPTION/MODEL PDF-11

QTY.	DESCRIPTION	PART NO.	ITEM NO.

DO NOT SCALE DRAWING  
UNLESS OTHERWISE SPECIFIED  
DIMENSIONS IN INCHES  
TOLERANCES  
DECIMALS FRACTIONS ANGLES  
± .005 ± 1/64 ± 90°  
FINISH SURFACE QUALITY  
REMOVE BURRS AND ROUND SHARP CORNERS

DATE: 2/2/78  
DATE: 4-5-78  
DATE: 3/17/78  
DATE: 6/13/78  
DATE: 3/17/78

digital EQUIPMENT CORPORATION  
MAYFIELD, MASSACHUSETTS

TITLE: SHIFT REGISTER CONTROL

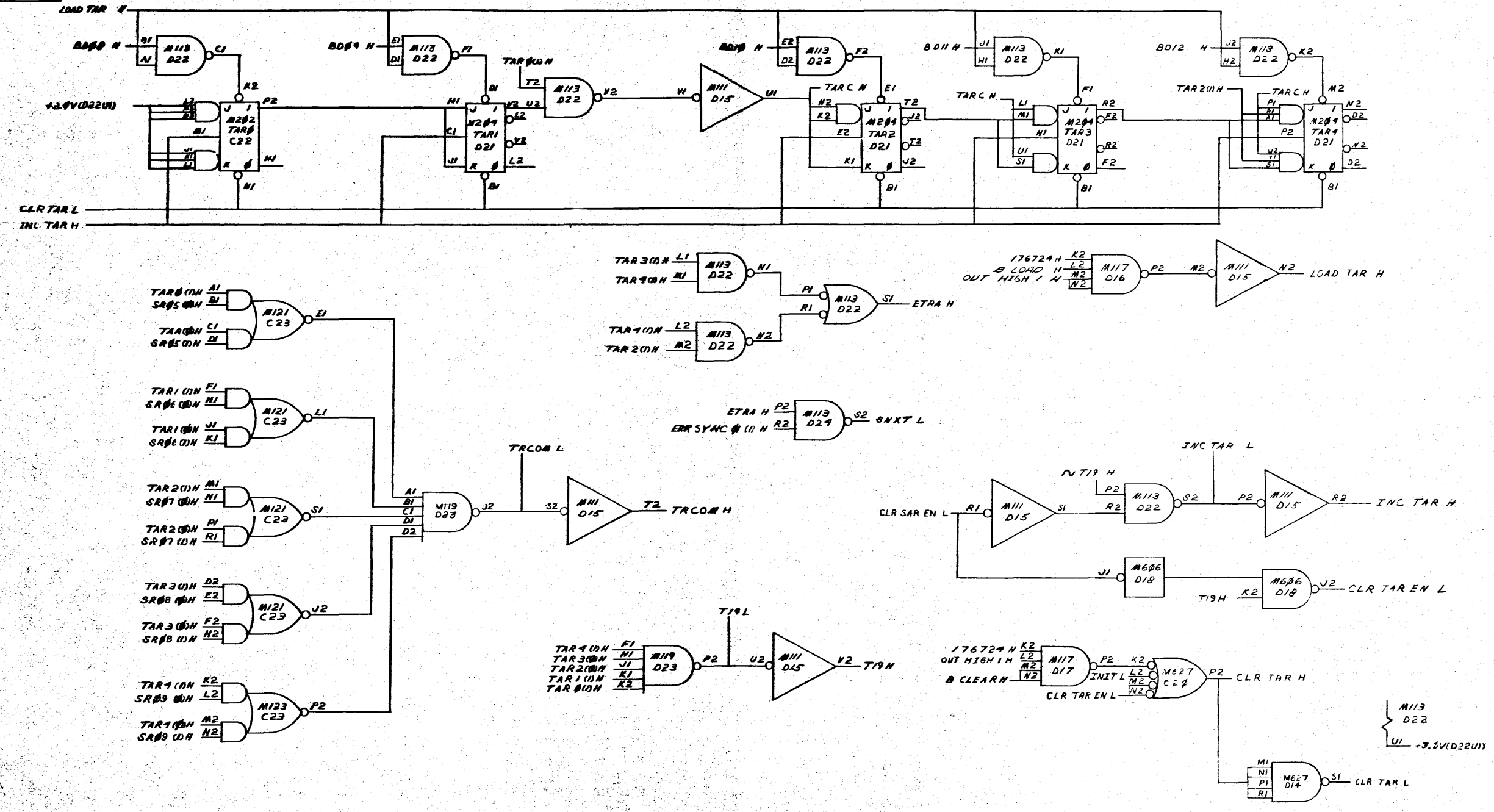
SIZE CODE: D BSRP11-0-15  
NUMBER: 1  
REV: B

SCALE: NONE  
SHEET: 1 OF 1





This drawing and specifications form are the property of Digital Equipment Corporation and shall not be reproduced or copied in whole or in part in any form for the manufacture of any of items without written permission.



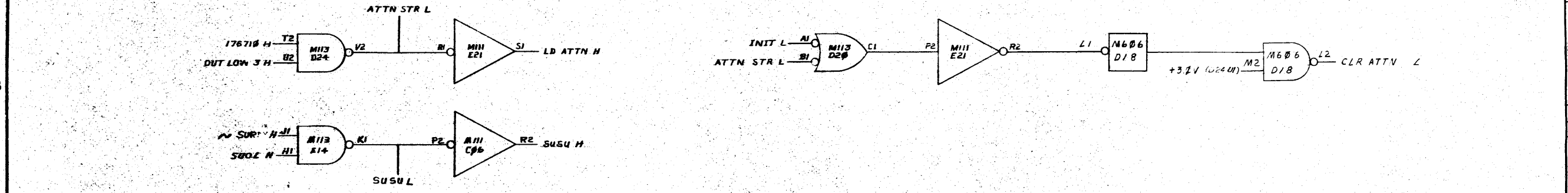
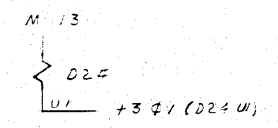
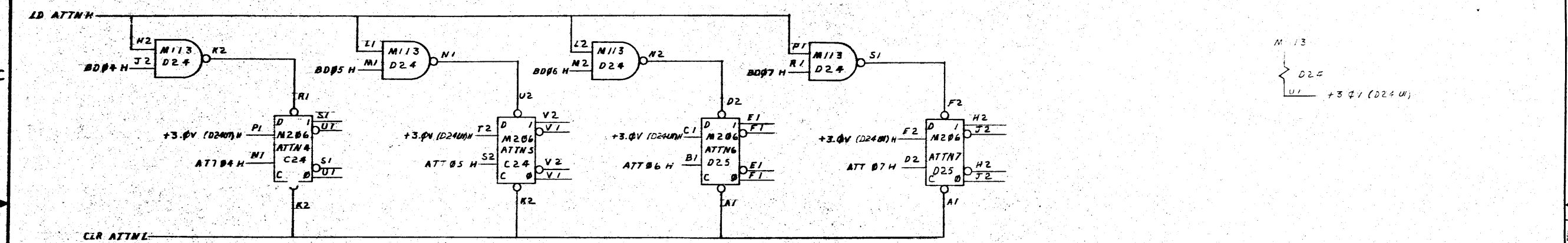
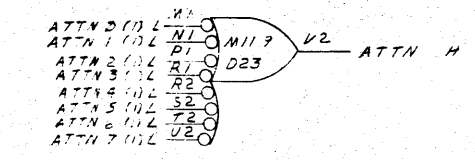
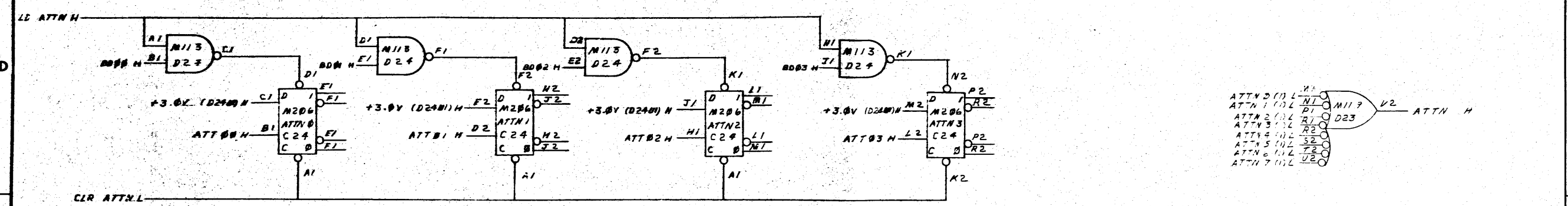
REV.	CHANGED BY	DATE
1	D. HOPKINS	11-12-71
2	D. HOPKINS	11-12-71
3	D. HOPKINS	11-12-71
4	D. HOPKINS	11-12-71
5	D. HOPKINS	11-12-71
6	D. HOPKINS	11-12-71
7	D. HOPKINS	11-12-71
8	D. HOPKINS	11-12-71

FIRST USED ON OPTION / MODEL  
PDP-11

DO NOT SCALE DRAWING UNLESS OTHERWISE SPECIFIED	DATE 2-28-70
TOLERANCES DECIMALS FRACTIONS ANGLES ± .005 ± .004 ± .009	DATE 2-5-71
FINISH / /	DATE 8/2/71
	DATE 8/2/71
	DATE 8/2/71
	DATE 8/2/71
	DATE 8/2/71
	DATE 8/2/71
	DATE 8/2/71
	DATE 8/2/71

QTY.	DESCRIPTION	PART NO.	ITEM NO.
PARTS LIST			
digital EQUIPMENT CORPORATION MAYNARD, MASSACHUSETTS			
TITLE TRACK-ADDRESS REGISTER			
SIZE CODE	NUMBER	REV	
DBS	RPII-0-17	B	
SHEET	OF	DIST.	

See drawing and specifications, herein, for the part and of Digital Equipment Corporation and shall not be reproduced, in whole or in part, or in any form, without the written permission of Digital Equipment Corporation.



REV.	CHANGE NO.	DATE
A	0005	12-17-71
B	0006	12-17-71
C	0007	12-17-71
D	0008	12-17-71
E	0009	12-17-71
F	0010	12-17-71
G	0011	12-17-71
H	0012	12-17-71
I	0013	12-17-71
J	0014	12-17-71
K	0015	12-17-71
L	0016	12-17-71
M	0017	12-17-71
N	0018	12-17-71
O	0019	12-17-71
P	0020	12-17-71
Q	0021	12-17-71
R	0022	12-17-71
S	0023	12-17-71
T	0024	12-17-71
U	0025	12-17-71
V	0026	12-17-71
W	0027	12-17-71
X	0028	12-17-71
Y	0029	12-17-71
Z	0030	12-17-71

FIRST USED ON OPTION / MODEL  
PDP-11

DO NOT SCALE DRAWING	DRN. DATE 12-29-70
UNLESS OTHERWISE SPECIFIED DIMENSION IN INCHES	DATE 12-5-71
TOLERANCES	DATE 12/17/71
DECIMALS FRACTIONS ANGLES	DATE 12/17/71
± .005 ± 1/64 ± 0°30'	DATE 12/17/71
FINAL SURFACE QUALITY	DATE 12/17/71
REMOVE BURRS AND BREAK SHARP CORNERS	DATE 12/17/71
MATERIAL	DATE 12/17/71
FINISH	DATE 12/17/71

QTY.	DESCRIPTION	PART NO.	ITEM NO.
PARTS LIST			
digital EQUIPMENT CORPORATION MAYNARD, MASSACHUSETTS			
TITLE ATTENTION REGISTER			
NEXT HIGHER ASSY A-M-L-RP11-0		SIZE CODE DBS RPII-0-18	REV. A
SCALE NONE		SHEET 1	OF 1

REV. A  
NUMBER DBS RPII-0-18  
REV. A

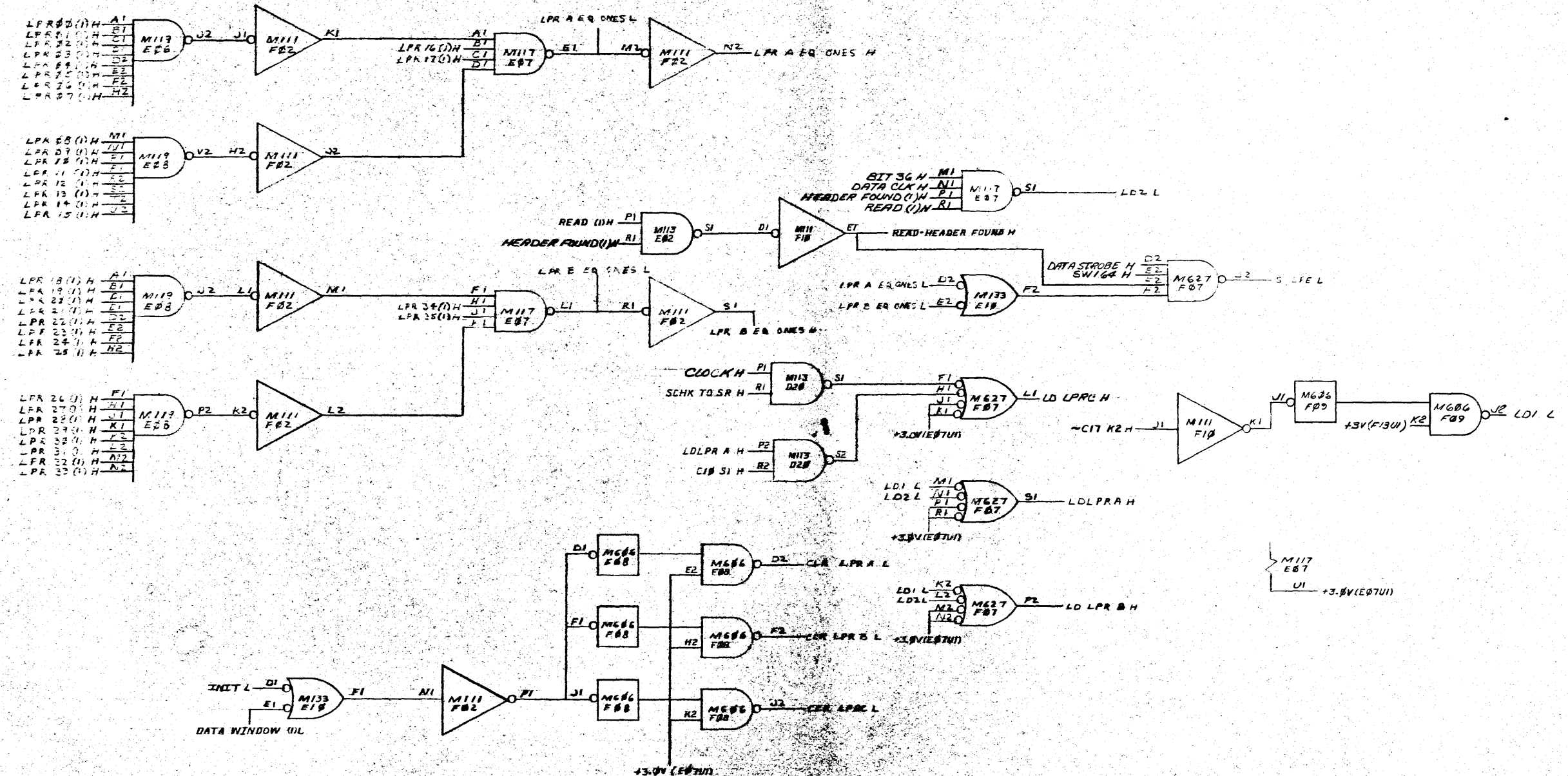






This drawing and specifications, however, are the property of Digital Equipment Corporation and shall not be reproduced or copied or used in whole or in part in any manner without the written permission of Digital Equipment Corporation.

REVISED 10-11-71  
 2



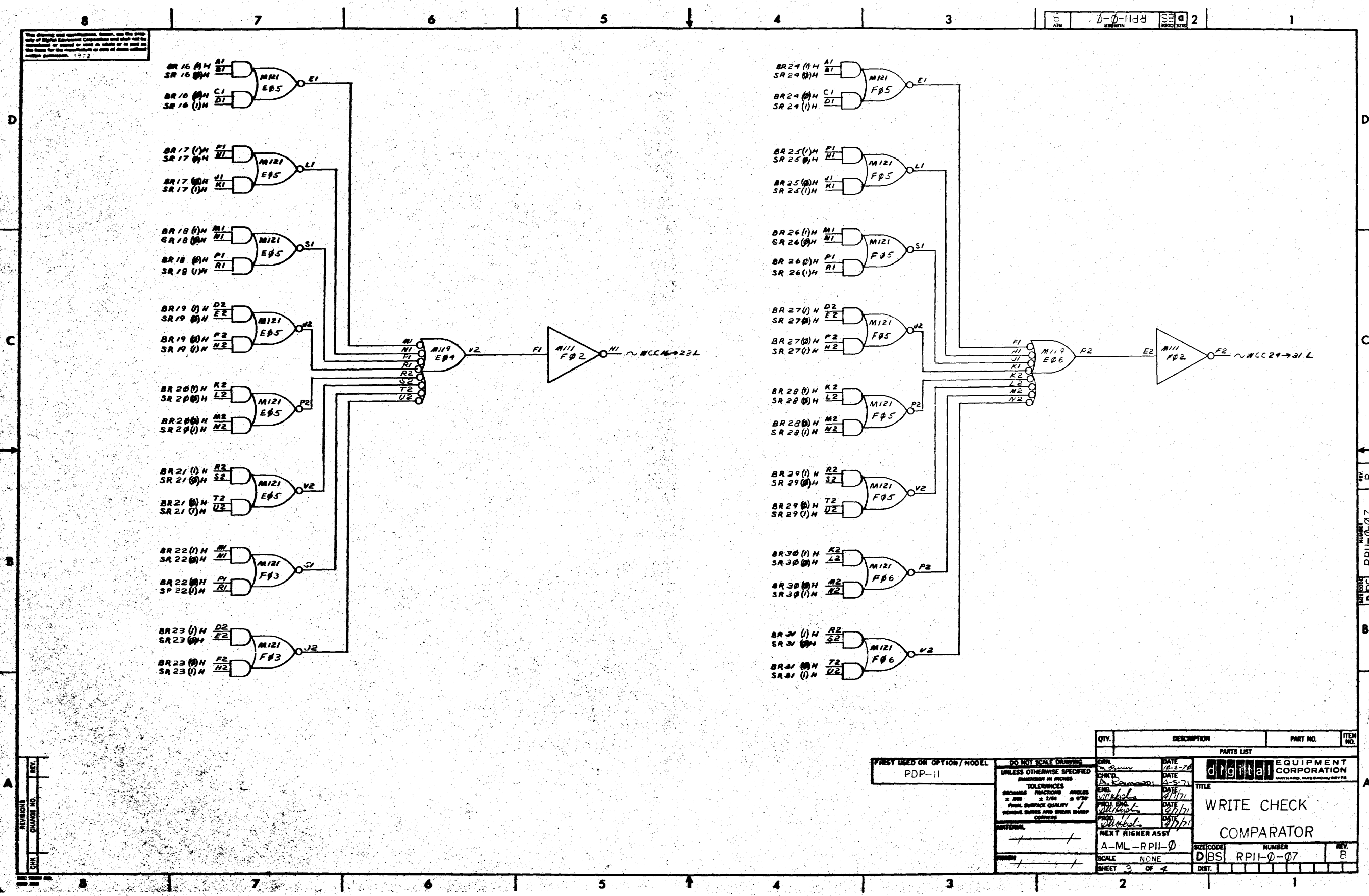
REV	CHANGE NO	BY	DATE
1	0005	A	10-11-71
2	0006	B	10-11-71
3	0007	B	10-11-71

DESIGNED BY: D. HOPKINS  
 DRAWN BY: D. HOPKINS  
 CHECKED BY: D. HOPKINS

FIRST USED ON OPTION	QTY.	DESCRIPTION	PART NO.	ITEM NO.
PDP-11				
PARTS LIST				
UNLESS OTHERWISE SPECIFIED				
DRN	DATE	digital EQUIPMENT CORPORATION		
CHKD	DATE	MAYNARD MASSACHUSETTS		
ENG	DATE	TITLE		
PROJ. ENG.	DATE	WRITE CHECK		
PROD.	DATE	COMPARATOR		
MATERIAL				
NEXT HIGHER ASSY				
A-ML-RP11-0				
SCALE NONE				
SHEET 1 OF 4				
SIZE CODE NUMBER REV.				
DBS RP11-0-07 B				







REV.	
CHG.	
INT.	
APP.	

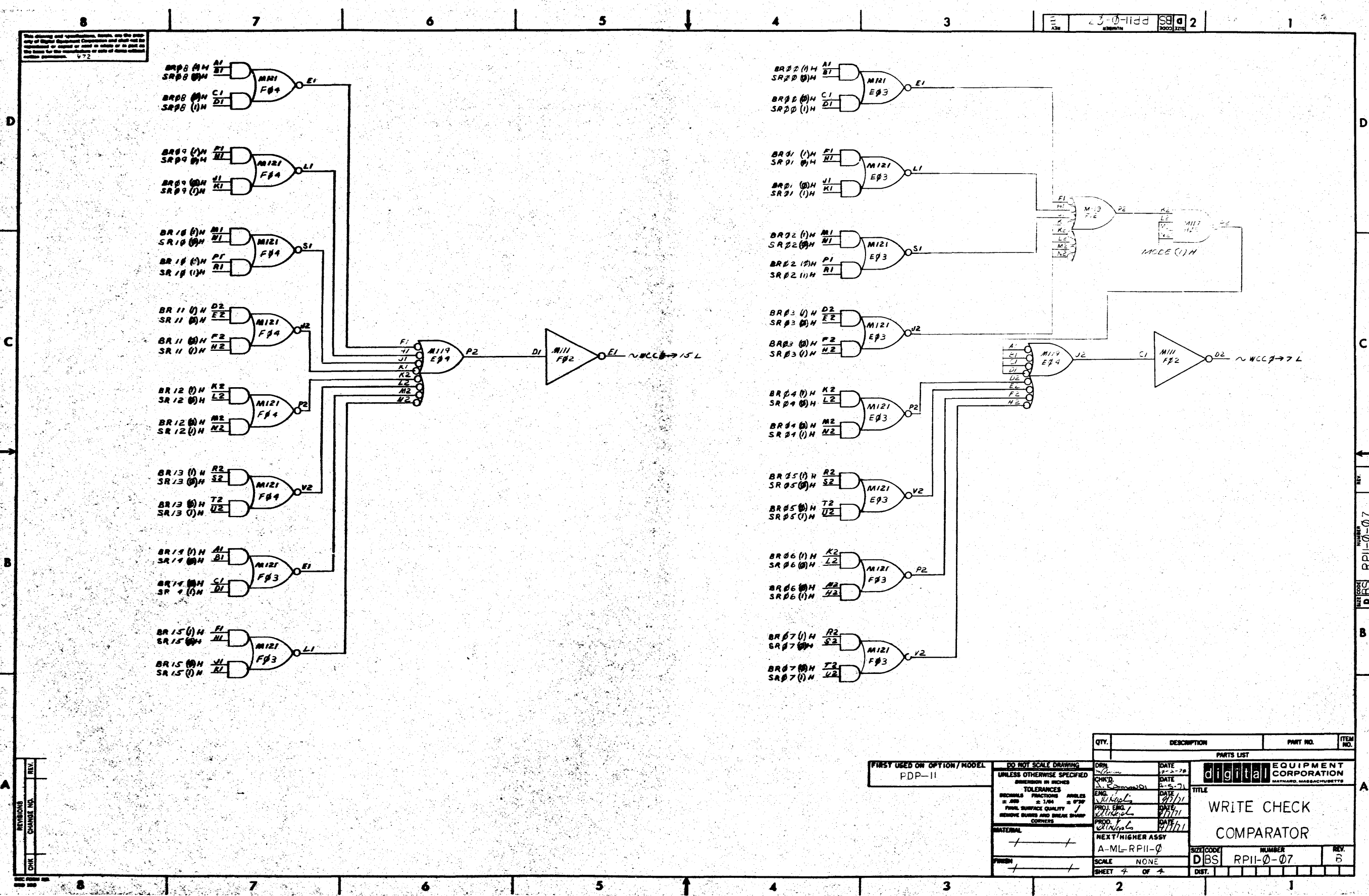
USED ON OPTION/MODEL  
PDP-11

DO NOT SCALE DRAWING  
UNLESS OTHERWISE SPECIFIED  
DIMENSION IN INCHES  
TOLERANCES  
FRACTIONS ANGLES  
±.005 ±.010 ±.015  
FINISH SURFACE QUALITY  
REMOVE BURRS AND BREAK SHARP CORNERS

DATE	10-2-70
DATE	3-5-71
DATE	1/17/71
DATE	1/27/71
DATE	1/27/71

PARTS LIST	
DIGITAL EQUIPMENT CORPORATION MAYNARD, MASSACHUSETTS	
TITLE WRITE CHECK COMPARATOR	
SIZE CODE D	NUMBER RPII-0-07
SCALE NONE	REV. B
SHEET 3	OF 4

REV. B  
RPII-0-07



REV	CHANGE NO.	REVISIONS

FIRST USED ON OPTION / MODEL  
PDP-11

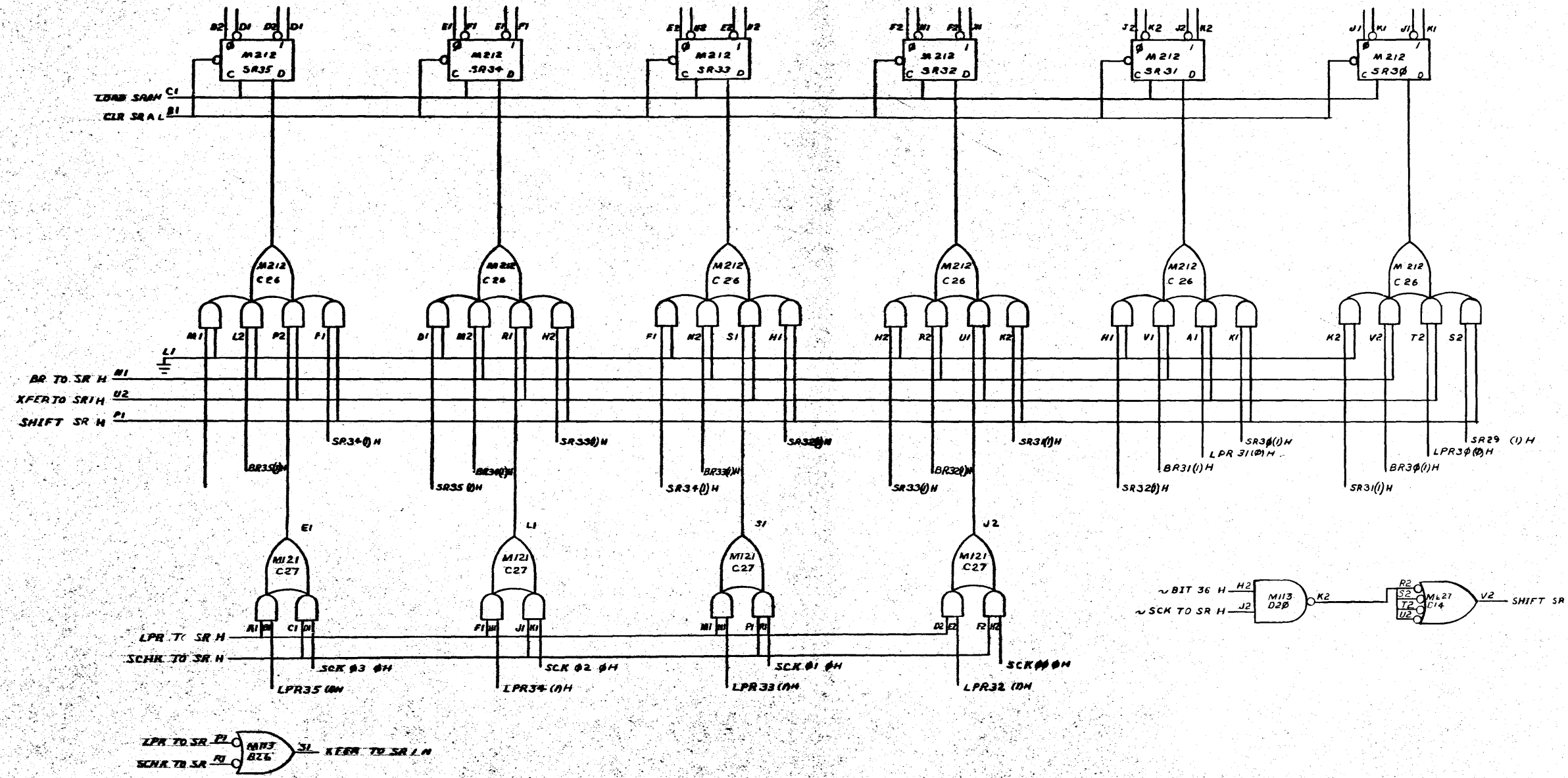
DO NOT SCALE DRAWING  
UNLESS OTHERWISE SPECIFIED  
DIMENSIONS IN INCHES  
TOLERANCES  
DECIMALS FRACTIONS ANGLES  
± .005 ± 1/64 ± 0°30'  
FINE SURFACE QUALITY  
REMOVE BURRS AND BREAK SHARP CORNERS

CHK'D	DATE
ENG	DATE
PRD	DATE

PARTS LIST		QTY.	DESCRIPTION	PART NO.	ITEM NO.
<b>digital EQUIPMENT CORPORATION</b> BATHURST, MASSACHUSETTS					
<b>WRITE CHECK COMPARATOR</b>					
SIZE CODE	NUMBER	REV.			
DBS	RP11-0-07	6			
SHEET	4 OF 4	DIST.			

PART NO. RP11-0-07  
 DATE DBS

This drawing and identification, herein, are the property of the Department of Defense and shall not be distributed or copied or used in whole or in part, in any form, for the purpose of the reproduction of any other drawing or identification.



REV. NO.	REV. DATE
1	10-5-70
2	11-10-71
3	12-14-71
4	12-14-71
5	12-14-71
6	12-14-71
7	12-14-71
8	12-14-71

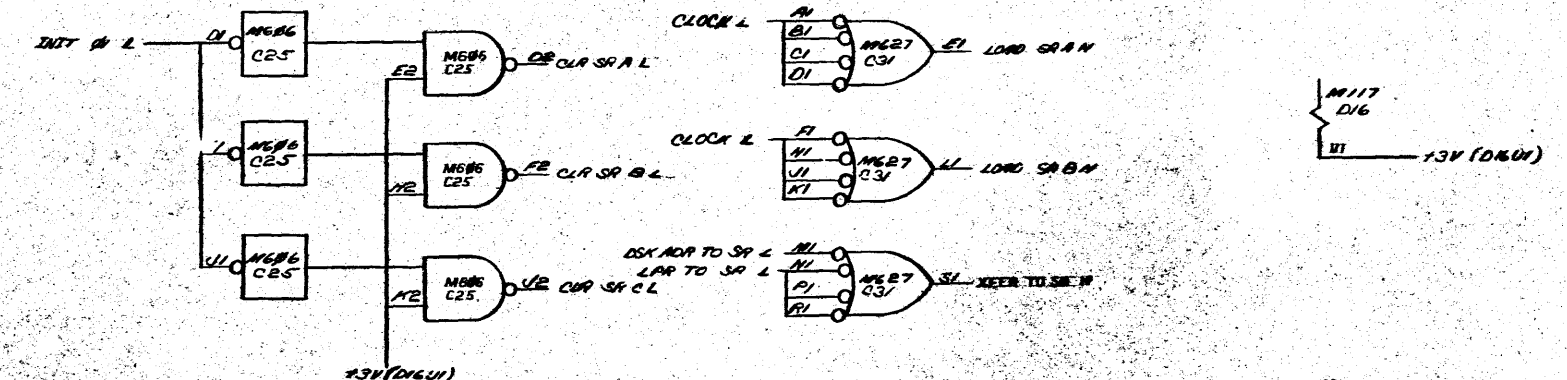
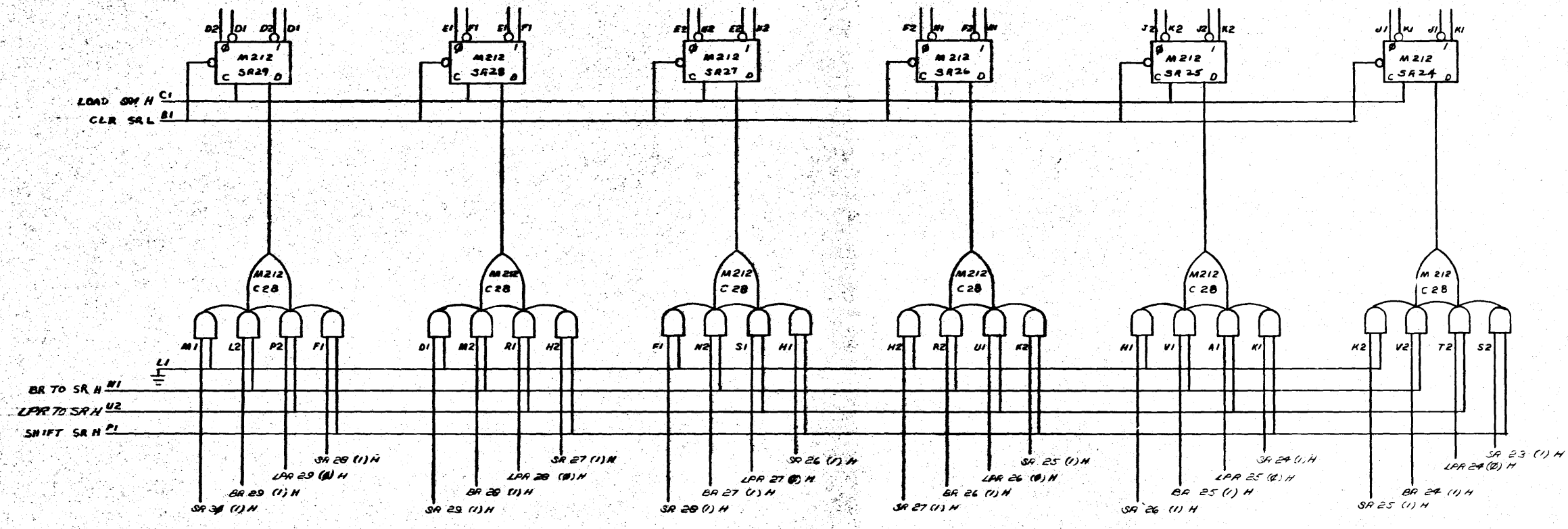
PLEASE READ ON OPTION/MODEL  
PDR-11

DO NOT SCALE DRAWING UNLESS OTHERWISE SPECIFIED DIMENSIONS IN INCHES	DATE 10-5-70 DATE 11-10-71 DATE 12-14-71 DATE 12-14-71
TOLERANCES FRACTIONS ANGLES ± .005 ± .005 ± .005 FRACTIONS ANGLES ± .005 ± .005 ± .005	DATE 10-5-70 DATE 11-10-71 DATE 12-14-71 DATE 12-14-71
SCALE NONE	DATE 10-5-70 DATE 11-10-71 DATE 12-14-71 DATE 12-14-71
SHEET 1 OF 6	DATE 10-5-70 DATE 11-10-71 DATE 12-14-71 DATE 12-14-71

QTY.	DESCRIPTION	PART NO.	ITEM NO.
	PARTS LIST		
	EQUIPMENT CORPORATION MATTAPAN, MASSACHUSETTS		
	TITLE SHIFT REGISTER		
	NEXT HIGHER ASSY A-ML-RP11-0		
	SCALE NONE		
	SHEET 1 OF 6		
	DISTRIBUTION D B S R P 1 1 - 0 - 0 8		
	REV. A		

REV. A  
D B S R P 1 1 - 0 - 0 8

This drawing and specifications, taken, use the property of Digital Equipment Corporation and shall not be reproduced or copied or used in whole or in part in the form of the manufacture or use of items without written permission.



REV.	CHANGE NO.	DESCRIPTION

FIRST USED ON OPTION / MODEL  
PDP11

DO NOT SCALE DRAWING  
UNLESS OTHERWISE SPECIFIED  
DIMENSIONS IN INCHES  
TOLERANCES  
DECIMAL FRACTIONS ANGLES  
IN AND = 1/32 ± 0.002  
FRACTIONS QUALITY  
ANGULAR DIMENSIONS AND BREAK DIMENSIONS  
CONFORM

QTY.	DESCRIPTION	PART NO.	ITEM NO.
PARTS LIST			
DIGITAL EQUIPMENT CORPORATION MAYNARD, MASSACHUSETTS			
TITLE SHIFT REGISTER			
NEXT HIGHER ASSY A-ML-RP11-0		SCALE NONE	REV A
SHEET 2 OF 6		SIZE CODE D B S R P 1 1 - 0 - 0 8	DIST.

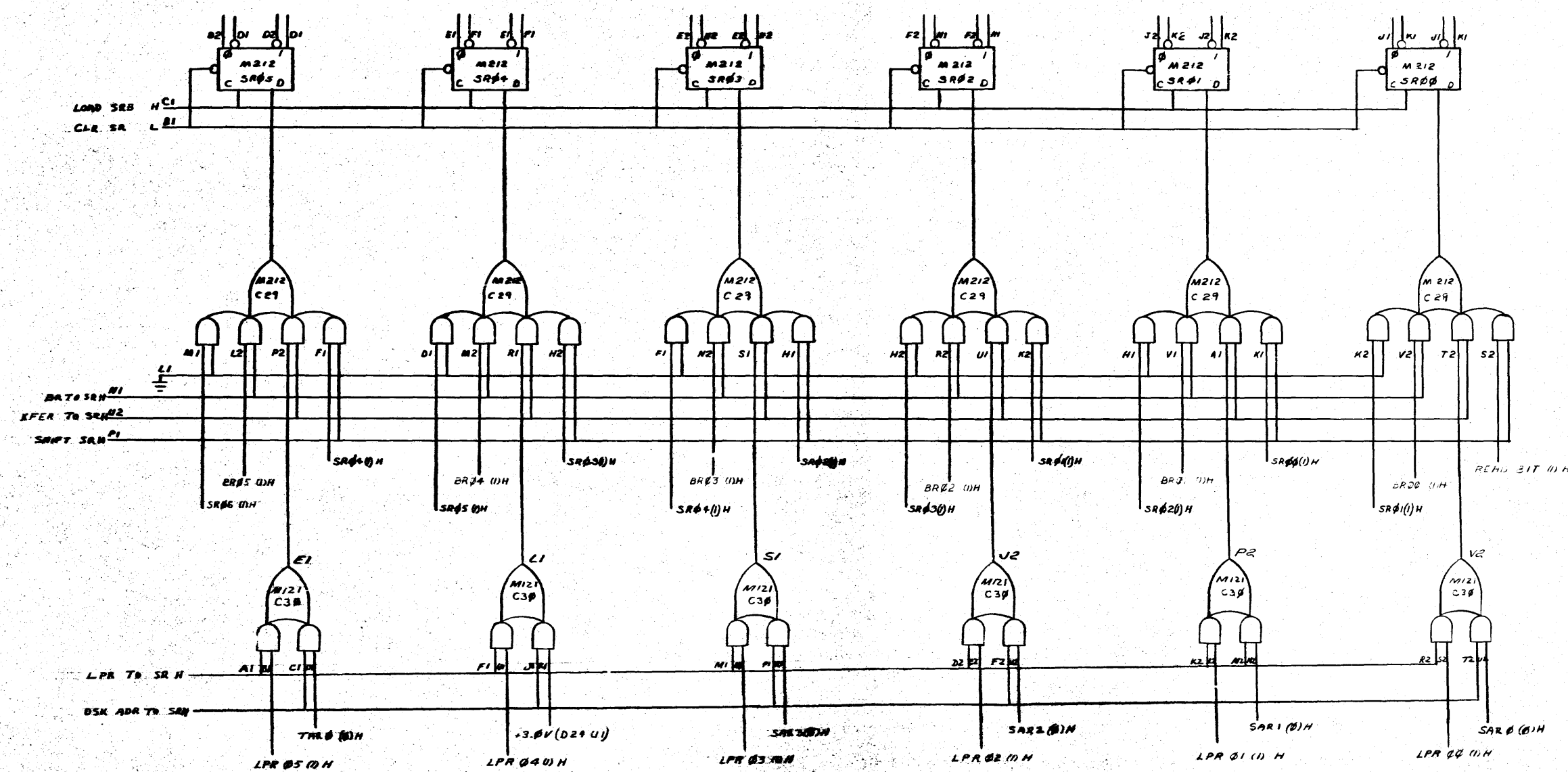
REV. A  
NUMBER  
D B S R P 1 1 - 0 - 0 8







This drawing and specifications, herein, are the property of Digital Equipment Corporation and shall not be reproduced or copied in whole or in part without the prior written consent of Digital Equipment Corporation.



REV.	CHANGE NO.	DESCRIPTION

FIRST USED ON OPTION/MODEL  
PDF11

DO NOT SCALE DRAWING  
UNLESS OTHERWISE SPECIFIED  
DIMENSIONS IN INCHES  
TOLERANCES  
DECIMALS FRACTIONS ANGLES  
± .005 ± .005 ± .005  
FINISH SURFACE QUALITY  
REMOVE BURRS AND SHARP EDGES  
CORNERS  
MATERIAL  
FINISH

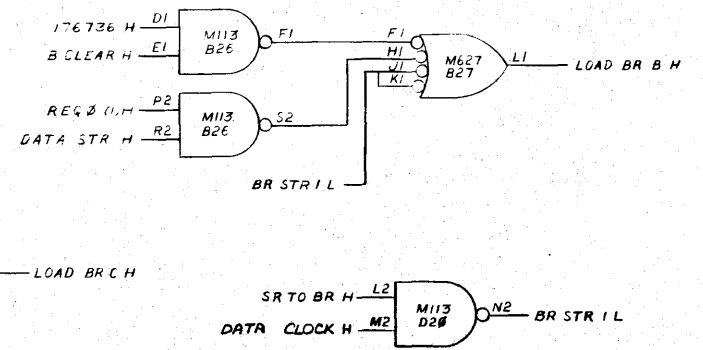
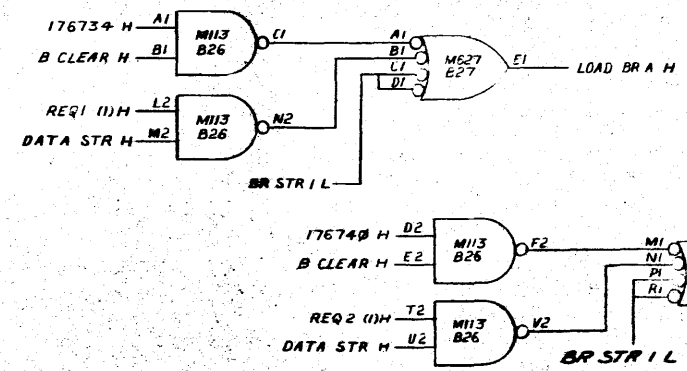
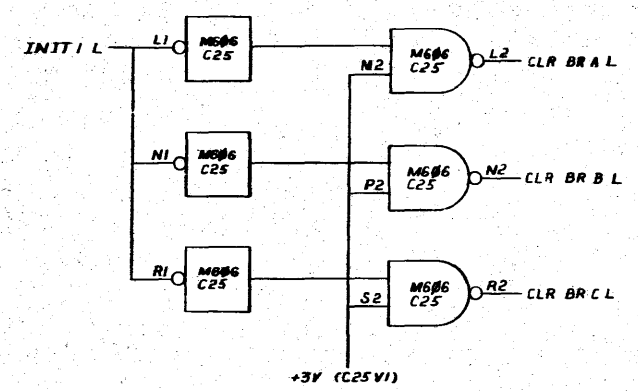
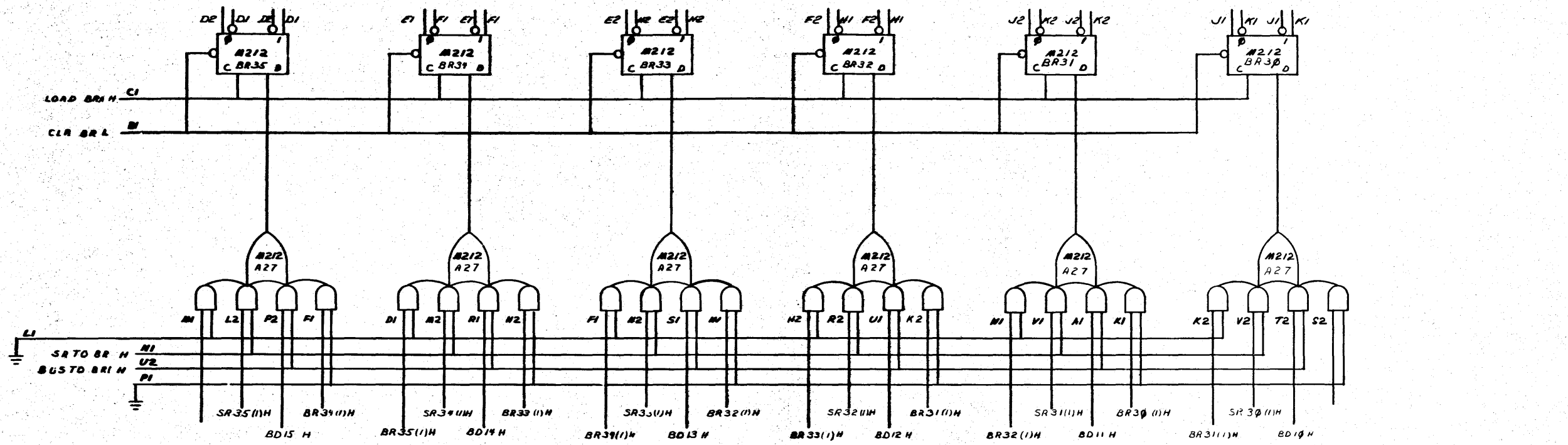
QTY.	DESCRIPTION	PART NO.	ITEM NO.
PARTS LIST			
DRAWN: E. W. Loom		DATE: 11/15/70	
CHECKED: A. R. ...		DATE: 11-15-70	
APPROVED: ...		DATE: 11/15/70	
NEXT HIGHER ASSY A-ML-RP11-0		TITLE SHIFT REGISTER	
SCALE: NONE		PART NO.: DBSRP11-0-08	
SHEET: 6 OF 6		REV. NO.: A	

DBSRP11-0-08



This drawing and associated forms, are the property of Digital Equipment Corporation and shall not be reproduced or used in whole or in part in any form for the manufacture or sale of items without written permission. 12.72

60-0-11149 S8 2



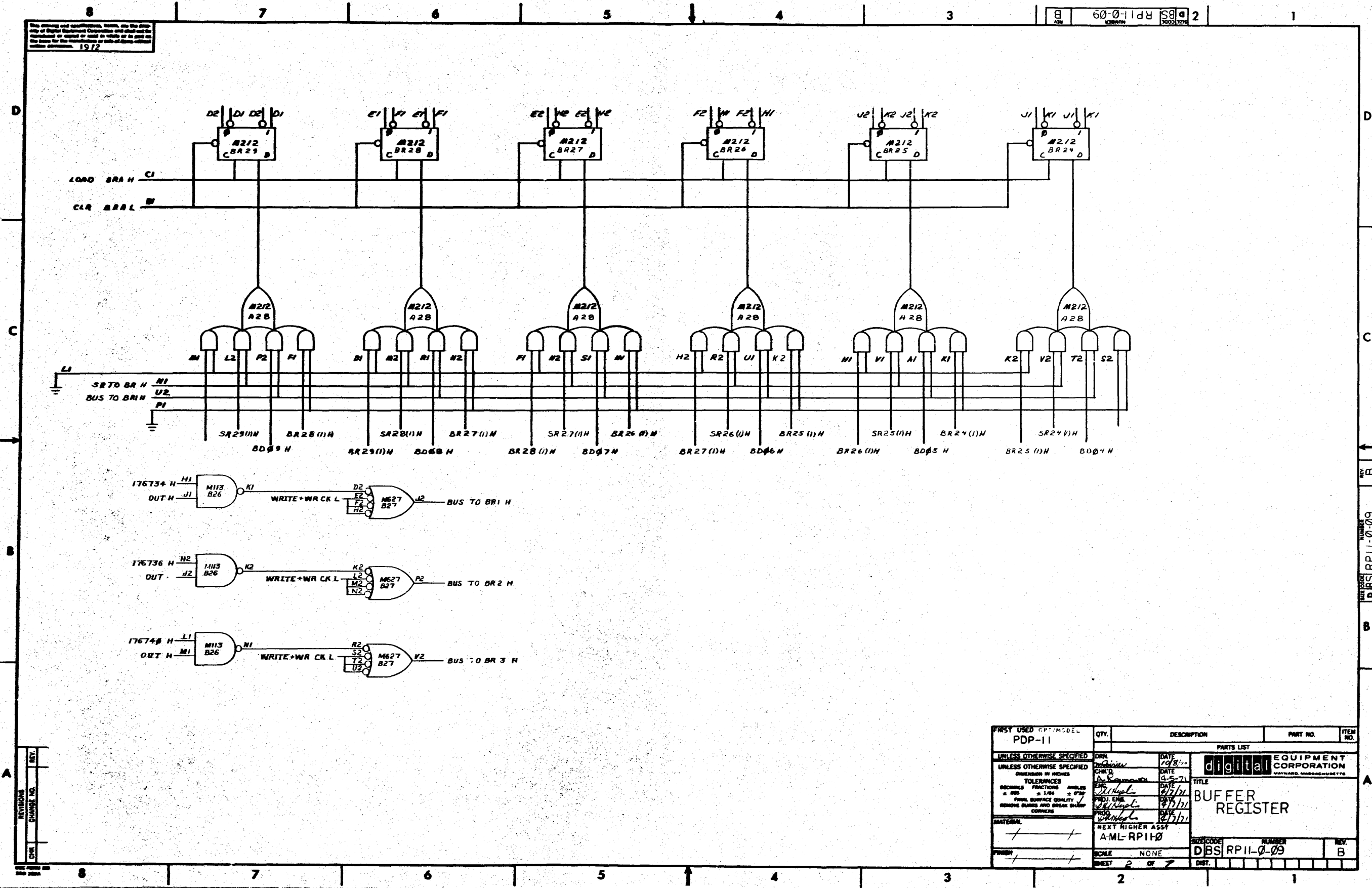
+3V (C25 V1)  
 M606 C25  
 V2 +3.0V (C25 W)

REV.	CHANGE NO.	DATE	BY
1	1	10/1/70	A
2	1	10/1/70	A
3	1	10/1/70	A
4	1	10/1/70	A
5	1	10/1/70	A
6	1	10/1/70	A
7	1	10/1/70	A
8	1	10/1/70	A

FIRST USED ON OPT/MODEL	QTY.	DESCRIPTION	PART NO.	ITEM NO.
PDP-11				
UNLESS OTHERWISE SPECIFIED				
DATE	10/1/70	PARTS LIST		
DATE	10/1/70	digital EQUIPMENT CORPORATION		
DATE	10/1/70	MAYNARD, MASSACHUSETTS		
DATE	10/1/70	TITLE		
DATE	10/1/70	BUFFER REGISTER		
DATE	10/1/70	NEXT HIGHER ASSY		
DATE	10/1/70	A-ML-RP110		
SCALE	NONE	SIZE/CODE	NUMBER	OF
SHEET	1 OF 7	DIST.	DBSRP11-0-09	B

This drawing and specifications, forms, are the property of Digital Equipment Corporation and shall not be reproduced or copied or used in whole or in part on any other drawing or specification or for any other purpose without permission. 1972

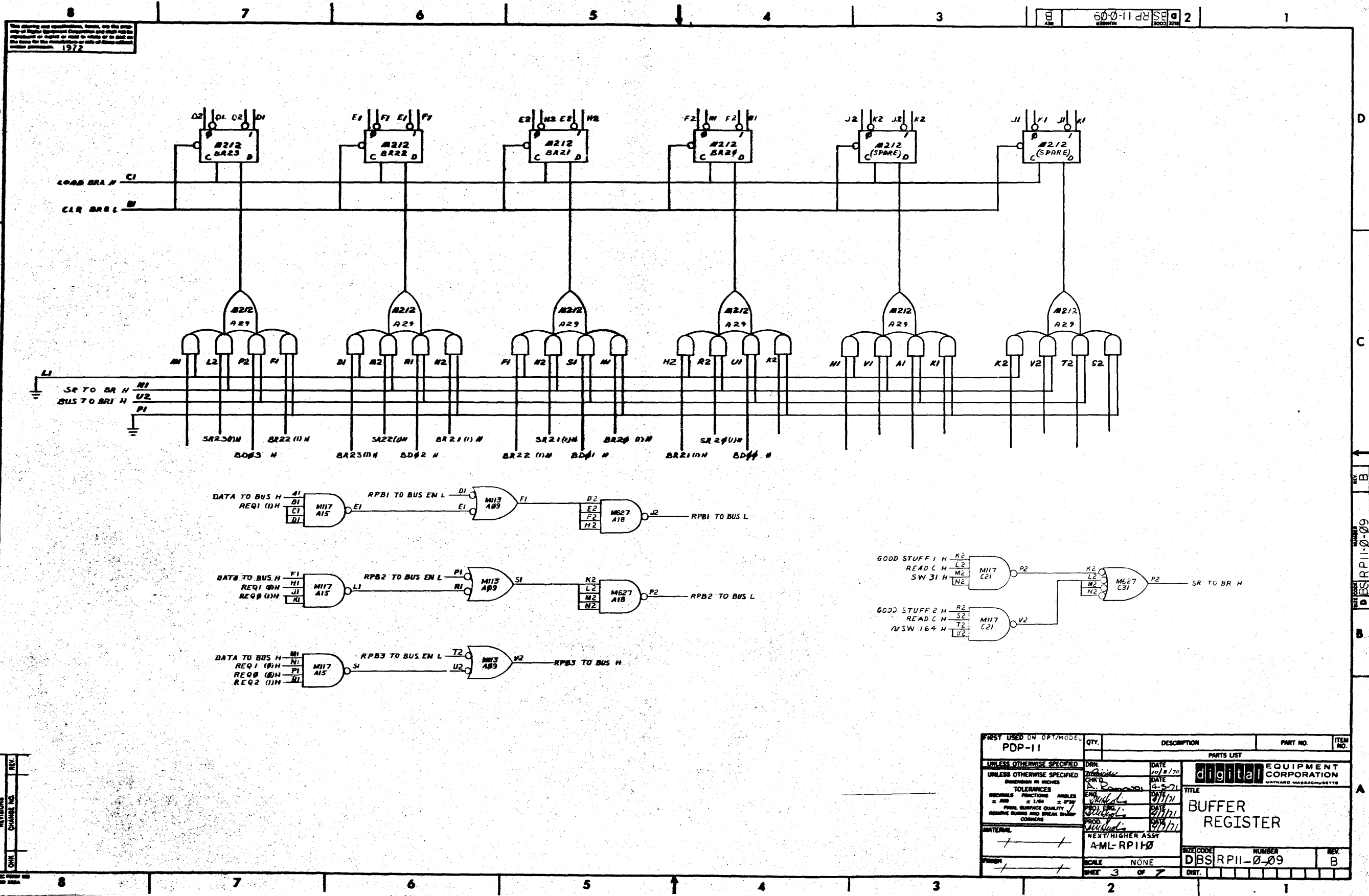
REV B  
 60-0-1108  
 DBS RPII-0-09  
 2



REV	
CHG	
REV	
CHG	

REV B  
 NUMBER  
 DBS RPII-0-09  
 SHEET

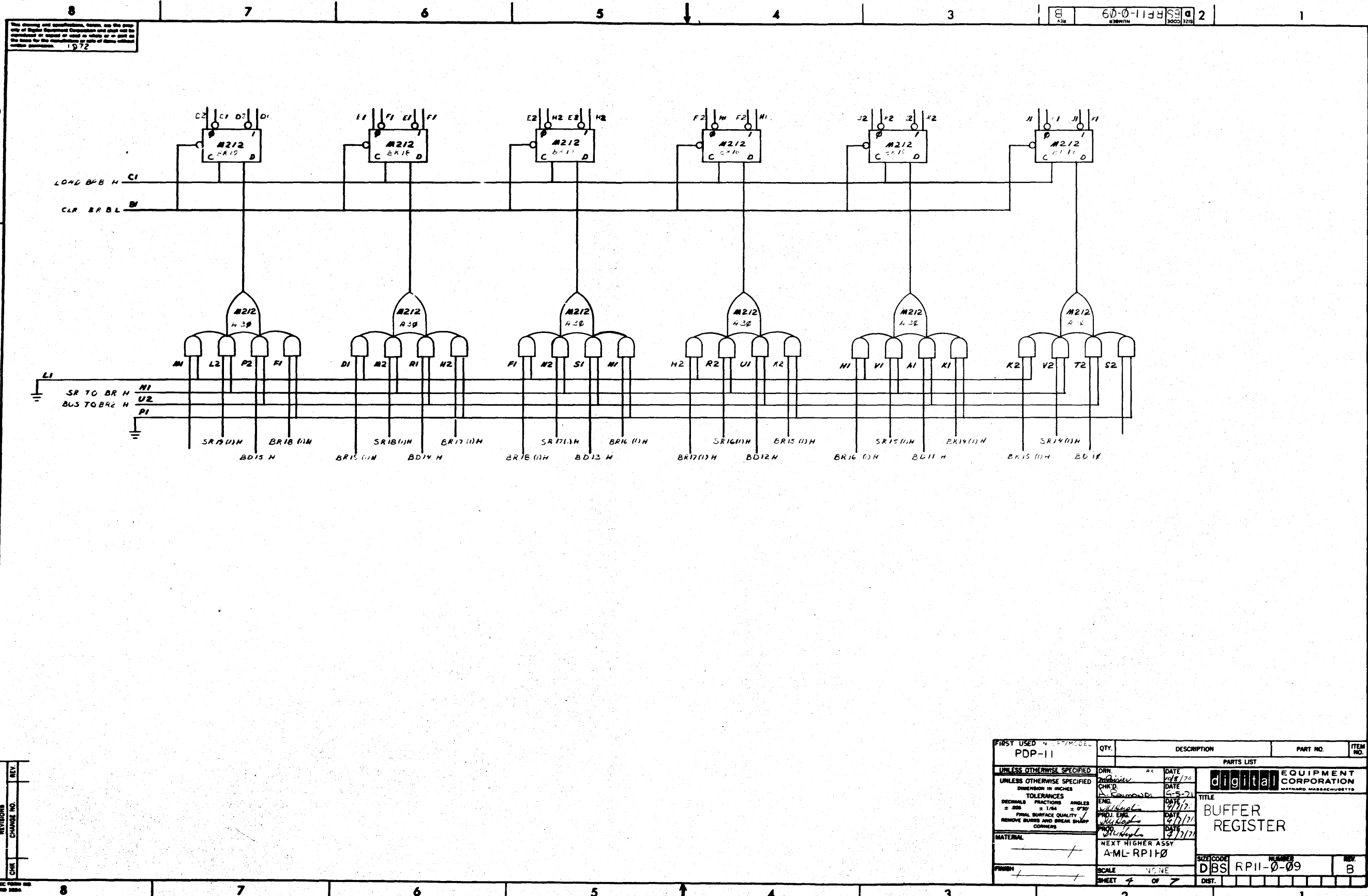
FIRST USED OPT/MODEL PDP-11	QTY.	DESCRIPTION	PART NO.	ITEM NO.
UNLESS OTHERWISE SPECIFIED DIMENSIONS IN INCHES TOLERANCES DECIMALS FRACTIONS ANGLES ± .005 ± 1/64 ± .030 FINISH SURFACE QUALITY REMOVE BURRS AND SHARPEN CORNERS	DATE 10/8/72 CHK'D A.E. DATE 3-5-71	PARTS LIST digital EQUIPMENT CORPORATION MILITARY AND AEROSPACE DIVISION		
MATERIAL + / +	DATE 12/1/71 12/1/71 12/1/71	TITLE BUFFER REGISTER		
FINISH + / +	SCALE NONE	NEXT HIGHER ASSY AML-RPII-0		
	SHEET 2 OF 7	DBS RPII-0-09	NUMBER	REV. B



This drawing and specification, hence, are the property of Digital Equipment Corporation and shall not be reproduced or copied in whole or in part or in any manner for the use of any other person or organization without permission. 1972

FIRST USED ON OPT/MODEL		QTY.	DESCRIPTION	PART NO.	ITEM NO.
PDP-11					
PARTS LIST					
UNLESS OTHERWISE SPECIFIED		DRN	DATE	EQUIPMENT CORPORATION	
UNLESS OTHERWISE SPECIFIED		CHK'D	DATE	MATTAPAN, MASSACHUSETTS	
DIMENSIONS IN INCHES		ENG	DATE	TITLE	
TOLERANCES		APP'D	DATE	BUFFER REGISTER	
DECIMALS FRACTIONS ANGLES		PROD	DATE	NEXT HIGHER ASSY	
± .005 ± 1/64 ± 0°30'				A-ML-RP110	
REMOVE BURRS AND BREAK SHARP CORNERS				SCALE NONE	
MATERIAL				SIZE CODE NUMBER	
+ / +				DBS/RP11-0-09	
FINISH				SCALE NONE	
+ / +				SHEET 3 OF 7	
				DIST.	

REV B  
 DBS/RP11-0-09  
 SHEET 3 OF 7



This drawing and construction, herein, are the property of Digital Equipment Corporation and shall not be reproduced or copied or used in whole or in part for the manufacture of parts of other units or other equipment.

REV. B  
 DBS RPII-0-09  
 60-0-1118  
 2

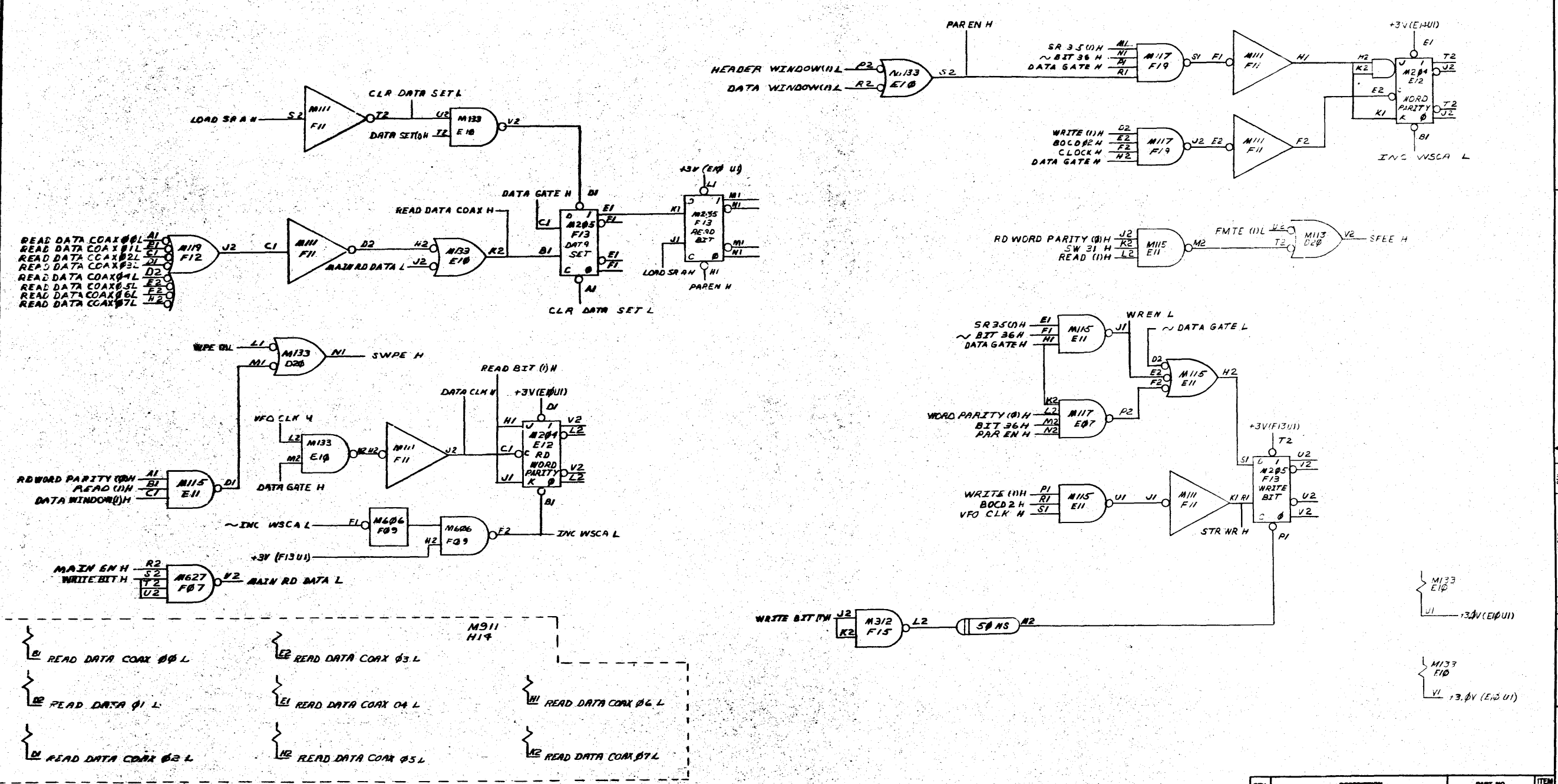
REV.	
CHG.	
NO.	

FIRST USED PDP-11	QTY.	DESCRIPTION	PART NO.	ITEM NO.
UNLESS OTHERWISE SPECIFIED				
DRN	DATE	PARTS LIST		
CHK'D	DATE	digital EQUIPMENT CORPORATION MAYNARD, MASSACHUSETTS		
UNLESS OTHERWISE SPECIFIED				
DIMENSION IN INCHES				
TOLERANCES				
DECIMALS	FRACTIONS	ANGLES	DATE	
± .005	± 1/64	± 0°30'	4/5/71	
FINAL SURFACE QUALITY				
REMOVE BURRS AND BREAK SHARP CORNERS				
MATERIAL				
NEXT HIGHER ASSY				
A-ML-RPII-0				
FINISH				
SCALE NONE				
SHEET 4 OF 7				
SIZE CODE: DBS RPII-0-09				
REV. B				





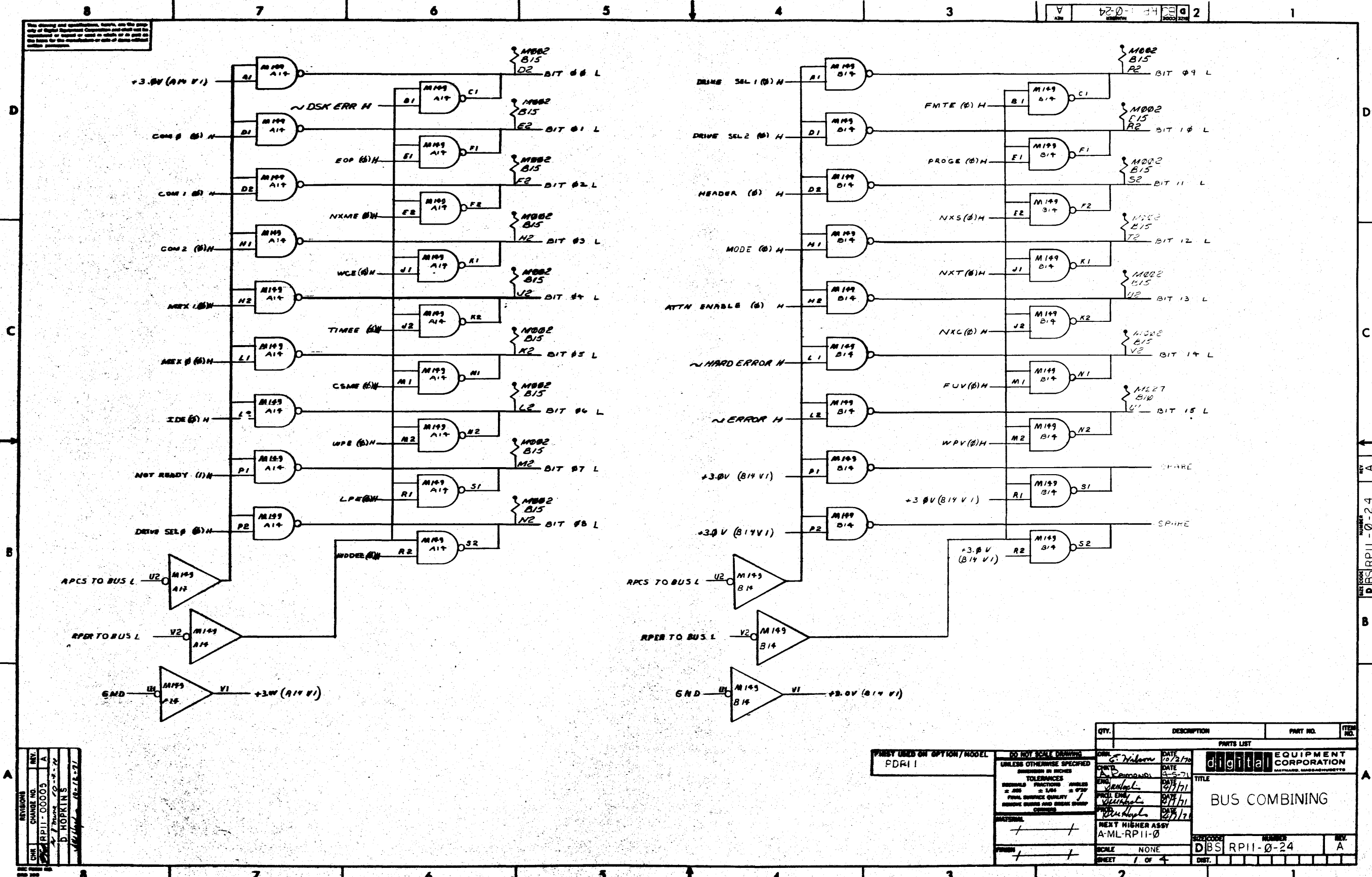
The drawing and specifications, herein, are the property of Digital Equipment Corporation and shall not be reproduced or used in whole or in part for any purpose other than that for which they were originally prepared.



REV.	DATE	BY	CHKD.
1	10-1-70	A. B. ...	A. B. ...
2	10-1-71	D. HOPKINS	D. HOPKINS
3	10-1-71	D. HOPKINS	D. HOPKINS
4	10-1-71	D. HOPKINS	D. HOPKINS

QTY.	DESCRIPTION	PART NO.	ITEM NO.
PARTS LIST			
FIRST USED ON OPTION/MODEL PDP-11			
DO NOT SCALE DRAWING UNLESS OTHERWISE SPECIFIED			
DIMENSIONS IN INCHES TOLERANCES FRACTIONS ANGLES			
DECIMALS ± .005 ± .002 ± .001 ± .0005			
ANGLES ± 30' ± 15' ± 5' ± 2.5'			
FINISH ++			
MATERIAL			
NEXT HIGHER ASSY A-ML-RPII-0			
SCALE NONE			
SHEET 1 OF 1			
DATE 10-1-70		DATE 10-1-71	
CHKD. A. B. ...		DATE 10-1-71	
ENG. D. HOPKINS		DATE 10-1-71	
PROJ. ENG. D. HOPKINS		DATE 10-1-71	
PROD. D. HOPKINS		DATE 10-1-71	
TITLE DISK DATA SYNC		SIZE CODE DBS RPII-0-23	
NUMBER		REV. A	

The drawing and specifications herein are the property of Digital Equipment Corporation and shall not be reproduced, copied or used in whole or in part in any manner for the manufacture or sale of items without written permission.



REV. NO.	REV. DATE
1	10/2/70
2	11/2/71
3	11/2/71
4	11/2/71
5	11/2/71
6	11/2/71
7	11/2/71
8	11/2/71

FIRST USED ON OPTION/MODEL  
FDRI1

DO NOT SCALE DRAWING  
UNLESS OTHERWISE SPECIFIED  
DIMENSIONS IN INCHES  
TOLERANCES  
FRACTIONS DECIMALS ANGLES  
±.005 ±.004 ±.030  
FURNISH SURFACE QUALITY  
INDICATE SURF. AND BREAK SHARP  
CORNERS

QTY.	DESCRIPTION	PART NO.	ITEM NO.
PARTS LIST			
digital EQUIPMENT CORPORATION			
TITLE BUS COMBINING			
NEXT HIGHER ASSY A-ML-RP11-0		SCALE NONE	REV. A
DRAWN G. Wilson		DATE 10/2/70	SIZE CODE D/BS RP11-0-24
ENGR. A. B. BROWN		DATE 11-5-71	
PROJ. ENGR. J. HOPKINS		DATE 11/2/71	SHEET 1 OF 4
CHECKED J. HOPKINS		DATE 11/2/71	

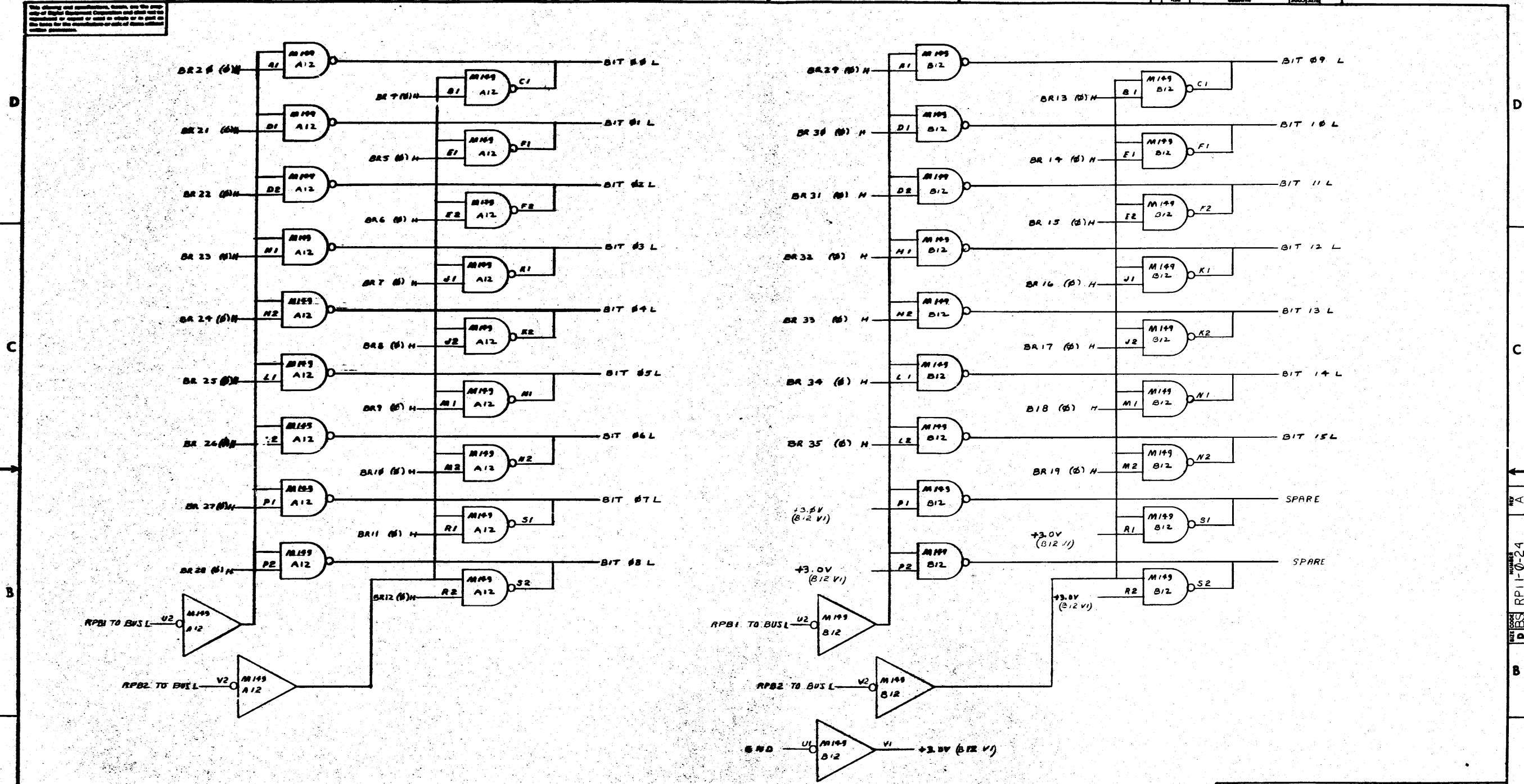
REV. A  
D/BS RP11-0-24





This drawing and specifications, taken as the property of Digital Equipment Corporation and shall not be reproduced or copied or used in whole or in part in any manner for the manufacture or sale of items without written permission.

A 2  
D B S R P 11-0-24



REV. NO. 1  
CHG. NO. 1  
REVISIONS

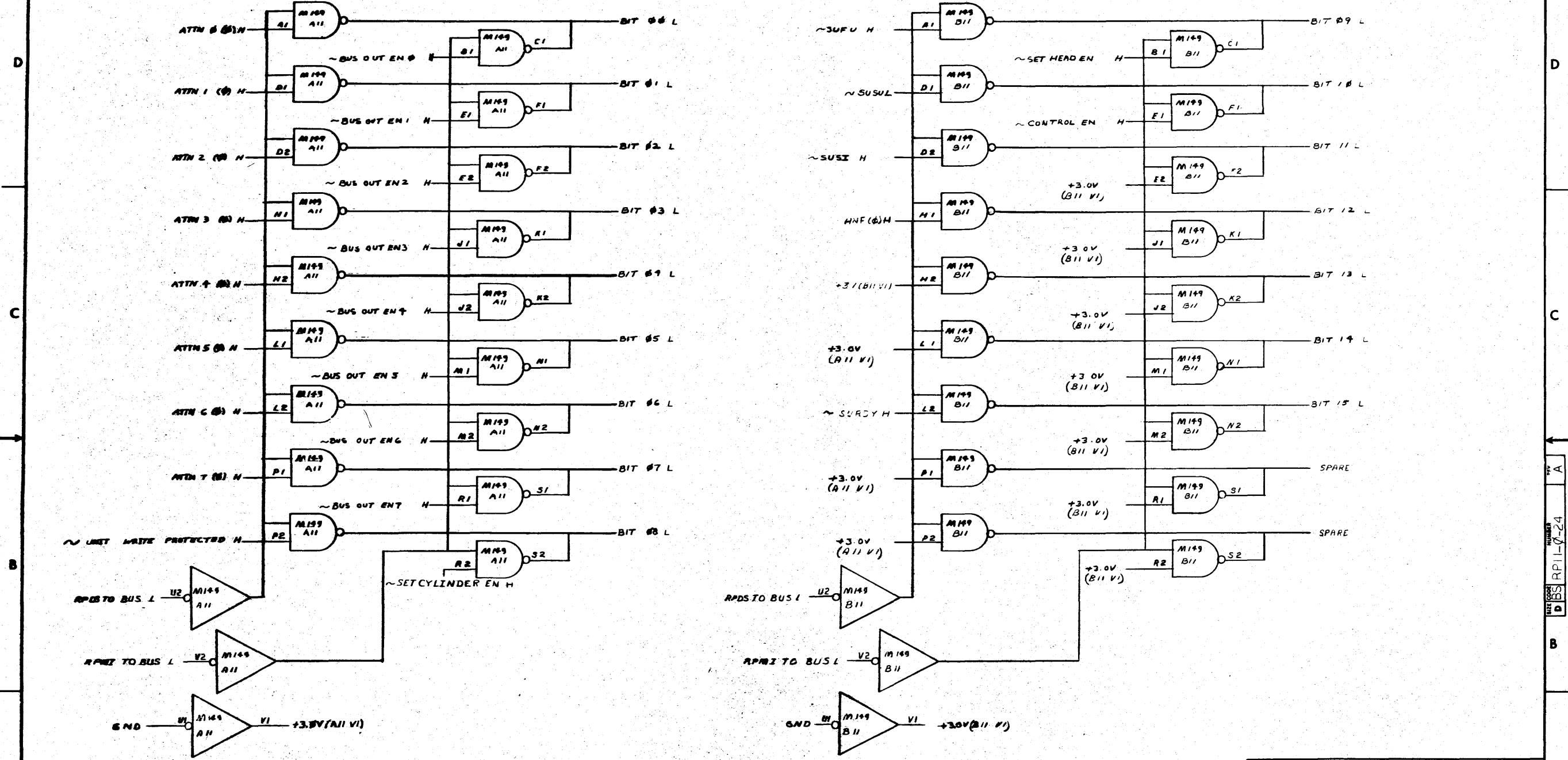
PARTS LIST  
PDR11

DO NOT SCALE DRAWING  
UNLESS OTHERWISE SPECIFIED  
DIMENSIONS IN INCHES  
TOLERANCES  
FRACTIONS DECIMALS  
± .005 ± .005 ± .005  
FINAL SURFACE QUALITY  
REMOVE BURRS AND BREAK SHARP CORNERS  
MATERIAL  
FINISH

QTY.	DESCRIPTION	PART NO.	ITEM NO.
	PARTS LIST		
	digital EQUIPMENT CORPORATION		
	TITLE		
	BUS COMBINING		
	SIZE/CODE	NUMBER	REV.
	D B S R P 11-0-24		A
	SCALE	NONE	
	SHEET	3 OF 4	

REV. NO. 1  
CHG. NO. 1  
REVISIONS  
D B S R P 11-0-24

This drawing and specifications, herein, are the property of Digital Equipment Corporation and shall not be reproduced or copied or used in whole or in part for any purpose other than that for which it was originally prepared.



REV.	DATE
1	
2	
3	
4	
5	
6	
7	
8	

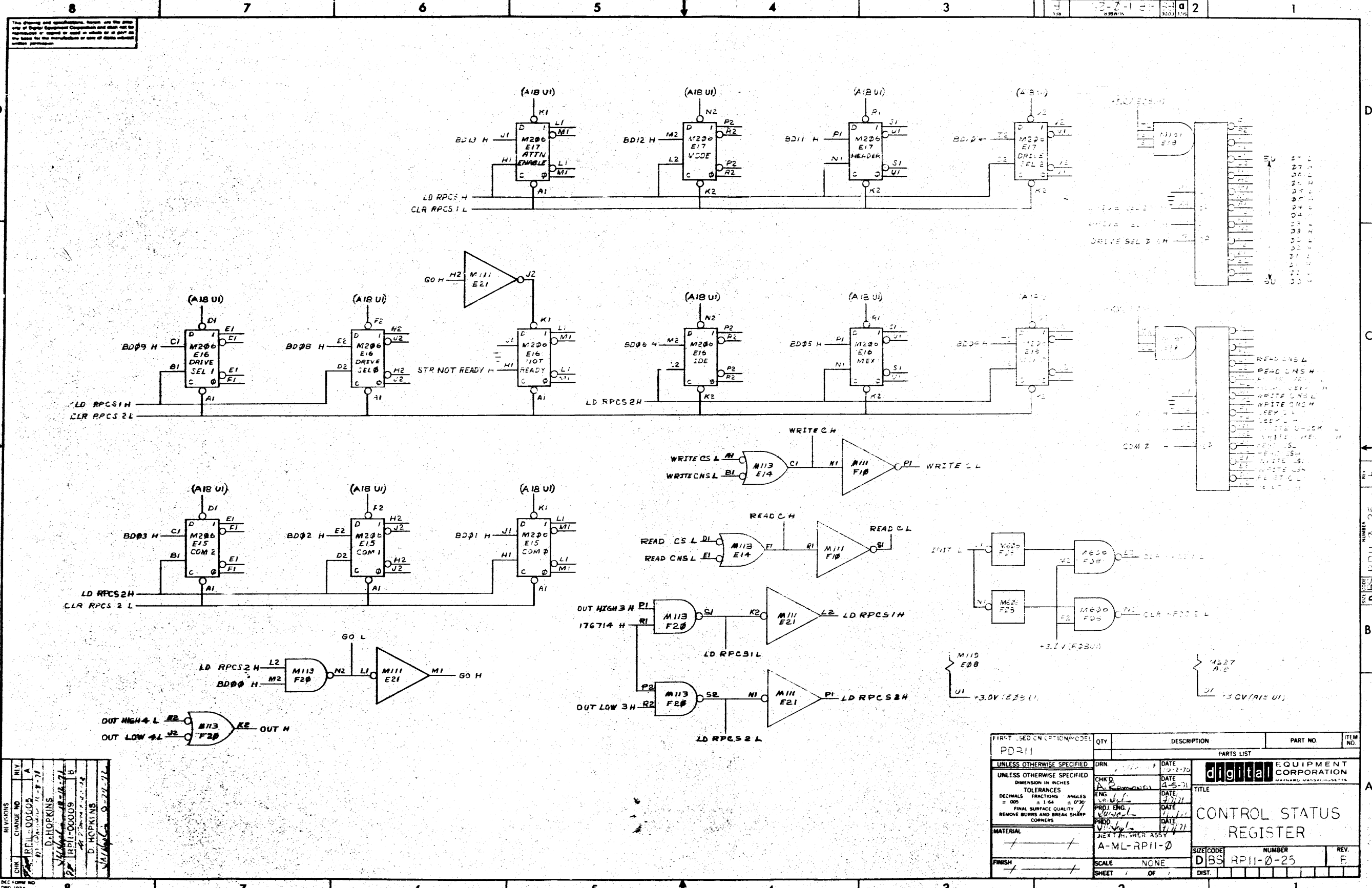
FIRST USED ON OPTION/MODEL  
PDP-11

DO NOT SCALE DRAWING  
UNLESS OTHERWISE SPECIFIED  
DIMENSIONS IN INCHES  
TOLERANCES  
DIMENSIONS IN INCHES  
FRACTIONS ANGLES  
2:000 ± 0.004 ± 0.002  
FINAL SURFACE QUALITY  
REMOVE BURRS AND BREAK SHARP CORNERS

QTY.	DESCRIPTION	PART NO.	ITEM NO.
PARTS LIST			
		digital EQUIPMENT CORPORATION MAYFIELD, MASSACHUSETTS	
		TITLE BUS COMBINING	
		NEXT HIGHER ASSY A-ML-RP11-0	
		SCALE NONE	
		SHEET 4 OF 4	
		DIBS RP11-0-24	
		REV. A	

REV. A  
DIBS RP11-0-24

The drawing and specifications herein are the property of Digital Equipment Corporation and shall not be reproduced or copied in whole or in part in any form for the manufacture or use of items without written permission.



REV	REV
CHG	CHG
1	1
2	2
3	3
4	4
5	5
6	6
7	7
8	8

FIRST USED ON OPTION/MODEL	QTY	DESCRIPTION	PART NO.	ITEM NO.
PD211				
PARTS LIST				
UNLESS OTHERWISE SPECIFIED				
DRN	DATE	digital EQUIPMENT CORPORATION		
CHK'D	DATE	MAINTENANCE DEPARTMENT		
ENG	DATE	TITLE		
PRJ. ENG	DATE	CONTROL STATUS REGISTER		
PRD.	DATE	SIZE CODE NUMBER REV.		
PRD.	DATE	D B S R P 1 1 - 0 - 2 5 F		
FINISH				
SCALE NONE				
SHEET 1 OF 1				

REV. 1

REV. 2

REV. 3

REV. 4

REV. 5

REV. 6

REV. 7

REV. 8

REV. 9

REV. 10

REV. 11

REV. 12

REV. 13

REV. 14

REV. 15

REV. 16

REV. 17

REV. 18

REV. 19

REV. 20

REV. 21

REV. 22

REV. 23

REV. 24

REV. 25

REV. 26

REV. 27

REV. 28

REV. 29

REV. 30

REV. 31

REV. 32

REV. 33

REV. 34

REV. 35

REV. 36

REV. 37

REV. 38

REV. 39

REV. 40

REV. 41

REV. 42

REV. 43

REV. 44

REV. 45

REV. 46

REV. 47

REV. 48

REV. 49

REV. 50

REV. 51

REV. 52

REV. 53

REV. 54

REV. 55

REV. 56

REV. 57

REV. 58

REV. 59

REV. 60

REV. 61

REV. 62

REV. 63

REV. 64

REV. 65

REV. 66

REV. 67

REV. 68

REV. 69

REV. 70

REV. 71

REV. 72

REV. 73

REV. 74

REV. 75

REV. 76

REV. 77

REV. 78

REV. 79

REV. 80

REV. 81

REV. 82

REV. 83

REV. 84

REV. 85

REV. 86

REV. 87

REV. 88

REV. 89

REV. 90

REV. 91

REV. 92

REV. 93

REV. 94

REV. 95

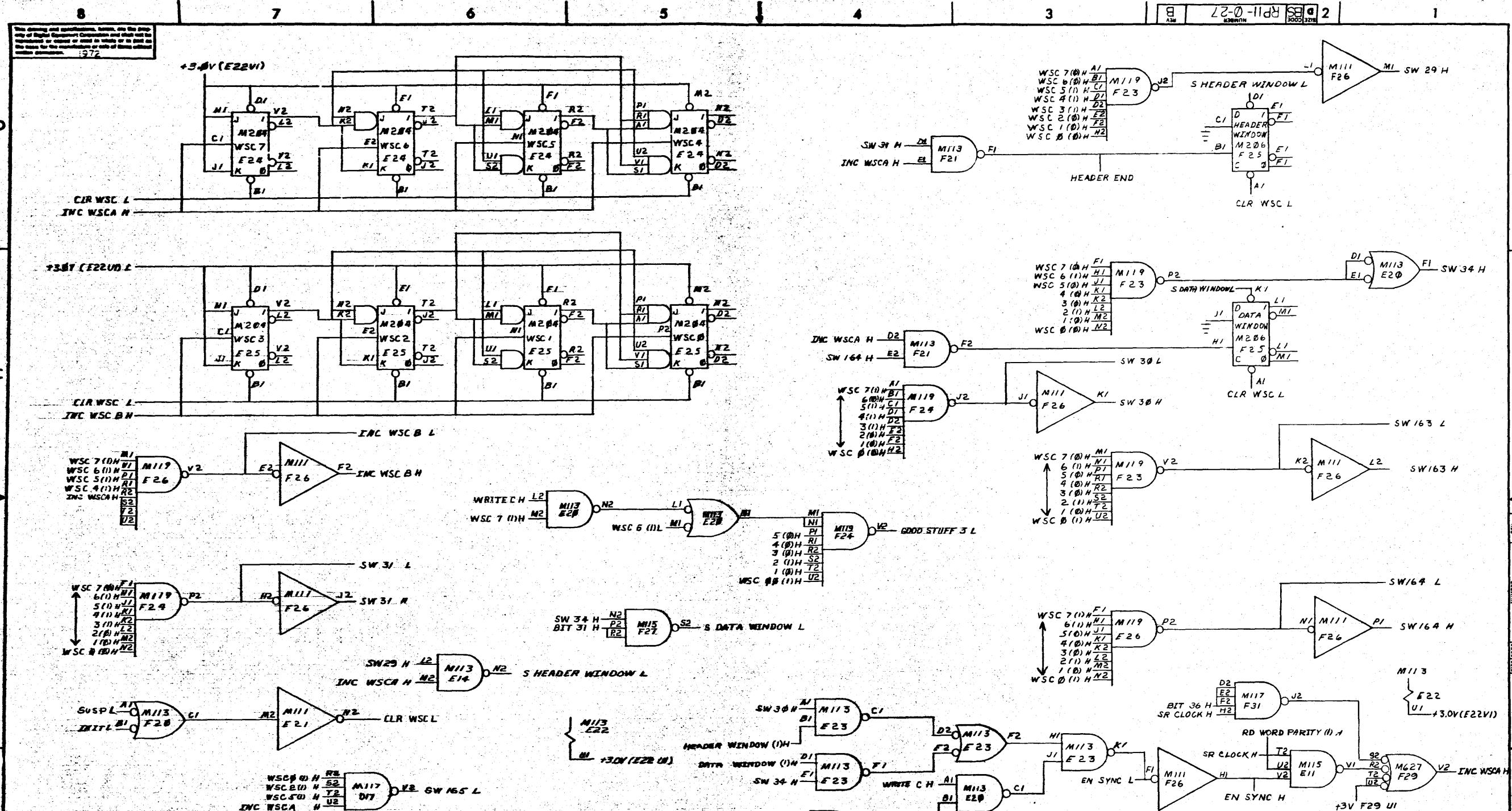
REV. 96

REV. 97

REV. 98

REV. 99

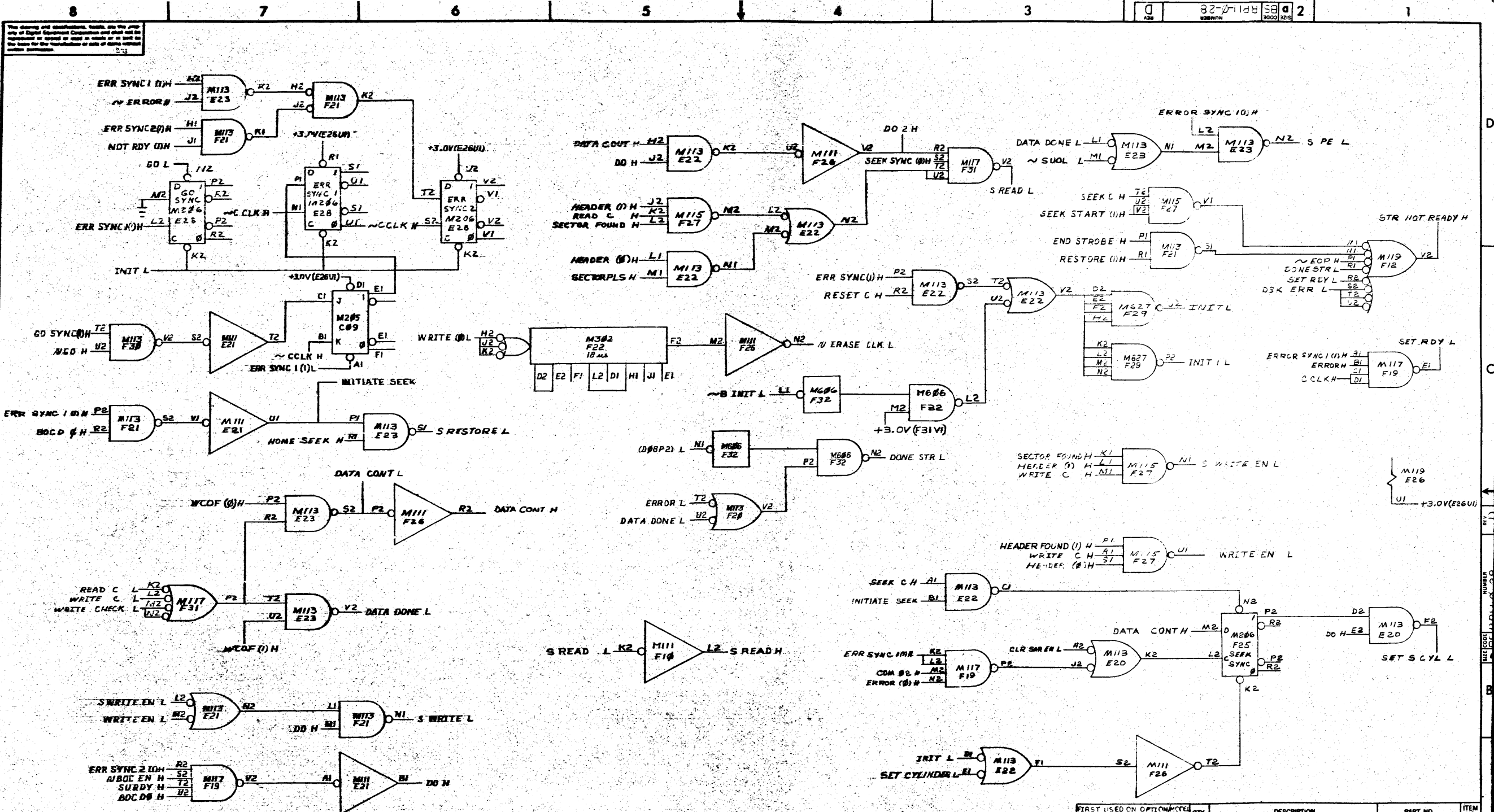
REV. 100



REV.	CHG.	NO.	DATE	BY
1	A	0005	12-27-71	D. HOPKINS
2	B	0006	12-27-71	D. HOPKINS
3	C	0007	12-27-71	D. HOPKINS
4	D	0008	12-27-71	D. HOPKINS

FIRST USED ON OPTION/MODEL	QTY.	DESCRIPTION	PART NO.	ITEM NO.
PDP-11				
PARTS LIST				
UNLESS OTHERWISE SPECIFIED DRN. DATE				
UNLESS OTHERWISE SPECIFIED DIMENSION IN INCHES CHK. DATE				
TOLERANCES ENG. DATE				
DECIMALS FRACTIONS ANGLES DATE				
± .005 ± .004 ± 0°30' DATE				
FRESH SURFACE QUALITY 7 DATE				
REMOVE BURRS AND BREAK SHARP CORNERS DATE				
MATERIAL NEXT HIGHER ASSY.				
FINISH SCALE NONE				
SHEET / OF /				

digital EQUIPMENT CORPORATION  
 TITLE: **FORMAT GEN/WD IN SECTOR COUNTER**  
 DATE: 12-27-71  
 SIZE CODE: **D**  
 NUMBER: **RP11-0-27**  
 REV. **B**



REV	CHG	NO	BY	DATE
1	A	0005	D. HOPKINS	10-7-70
2	B	0006	D. HOPKINS	10-21-70
3	C	0007	D. HOPKINS	11-24-70
4	D	0008	D. HOPKINS	1-24-71
5	E	0009	D. HOPKINS	4-14-71
6	F	0010	D. HOPKINS	4-14-71
7	G	0011	D. HOPKINS	4-14-71
8	H	0012	D. HOPKINS	4-14-71

REV	CHG	NO	BY	DATE
1	A	0005	D. HOPKINS	10-7-70
2	B	0006	D. HOPKINS	10-21-70
3	C	0007	D. HOPKINS	11-24-70
4	D	0008	D. HOPKINS	1-24-71
5	E	0009	D. HOPKINS	4-14-71
6	F	0010	D. HOPKINS	4-14-71
7	G	0011	D. HOPKINS	4-14-71
8	H	0012	D. HOPKINS	4-14-71

QTY	DESCRIPTION	PART NO.	ITEM NO.
1	PCP-11		

UNLESS OTHERWISE SPECIFIED	DRW	DATE	TITLE
DIMENSION IN INCHES	DRW	7/31/70	MAJOR STATE CONTROL
TOLERANCES	CHKD	4-5-71	
DECIMALS FRACTIONS ANGLES	ENG	4/7/71	
± .000 ± 1/64 ± 0°30'	PRD	4/7/71	
FINAL SURFACE QUALITY	WLD	4/7/71	
REMOVE BURRS AND BREAK SHARP CORNERS			

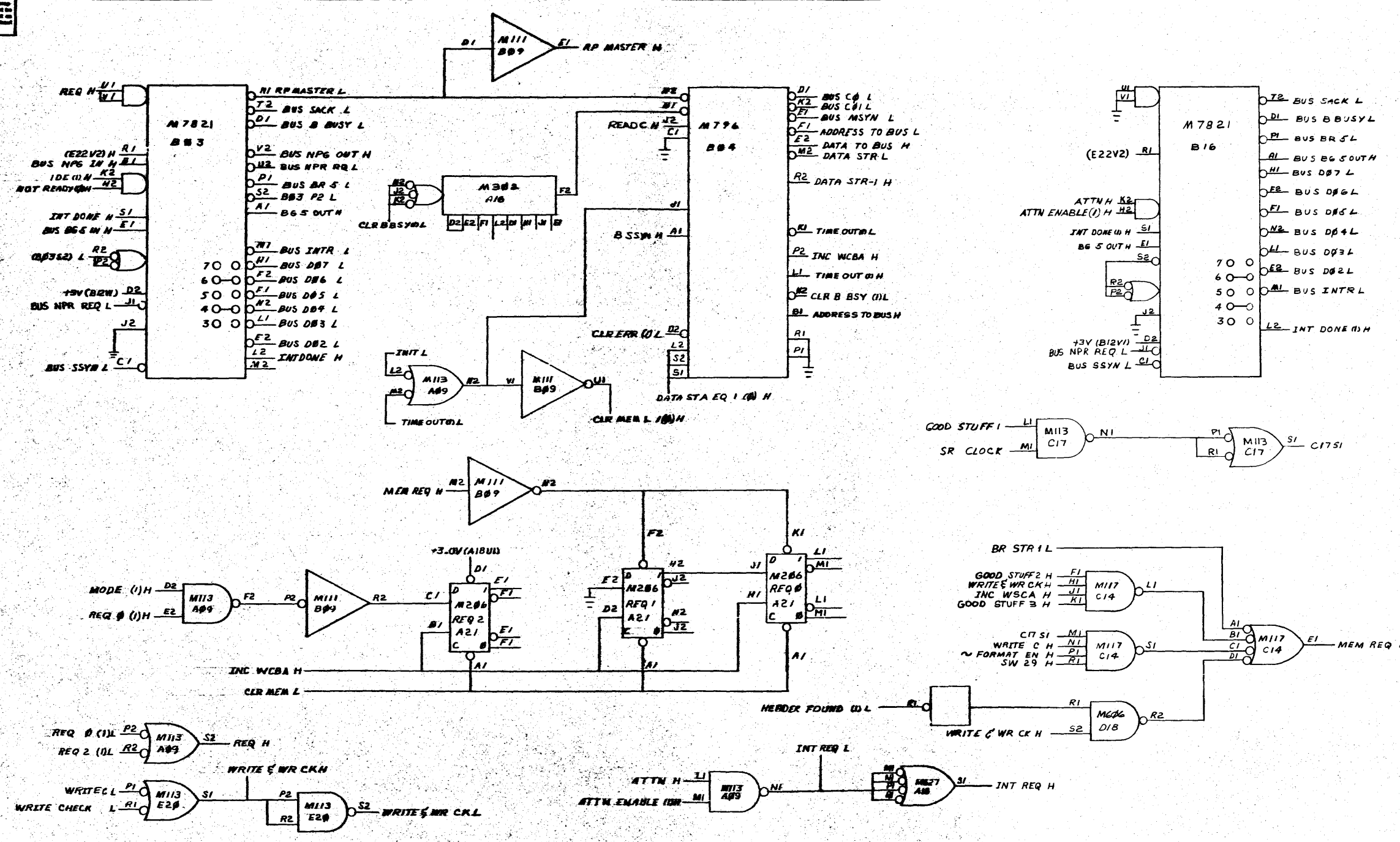
  

SCALE	NONE	NUMBER	REV
SHEET 1	OF 2	D/BS/RP11-0-28	D



This drawing and its components, herein, are the property of Digital Equipment Corporation and shall not be reproduced or copied in whole or in part on any form for the manufacture or sale of items without written permission.  
1972

62-0-11134-2  
DBS RPII-0-29



REV.	CHG.	NO.	DATE	BY	CHKD.
1	0000	A	10-25-71	D. HOPKINS	
2	0001	B	11-16-71	D. HOPKINS	
3	0002	C	12-13-71	D. HOPKINS	
4	0003	D	1-12-72	D. HOPKINS	

FIRST USED ON OPTION / MODEL  
PDP-11

DO NOT SCALE DRAWING  
UNLESS OTHERWISE SPECIFIED  
DIMENSION IN INCHES  
TOLERANCES  
DECIMALS FRACTIONS ANGLES  
± .005 ± 1/64 ± 90°  
FINAL SURFACE QUALITY  
REMOVE BURRS AND BREAK SHARP CORNERS

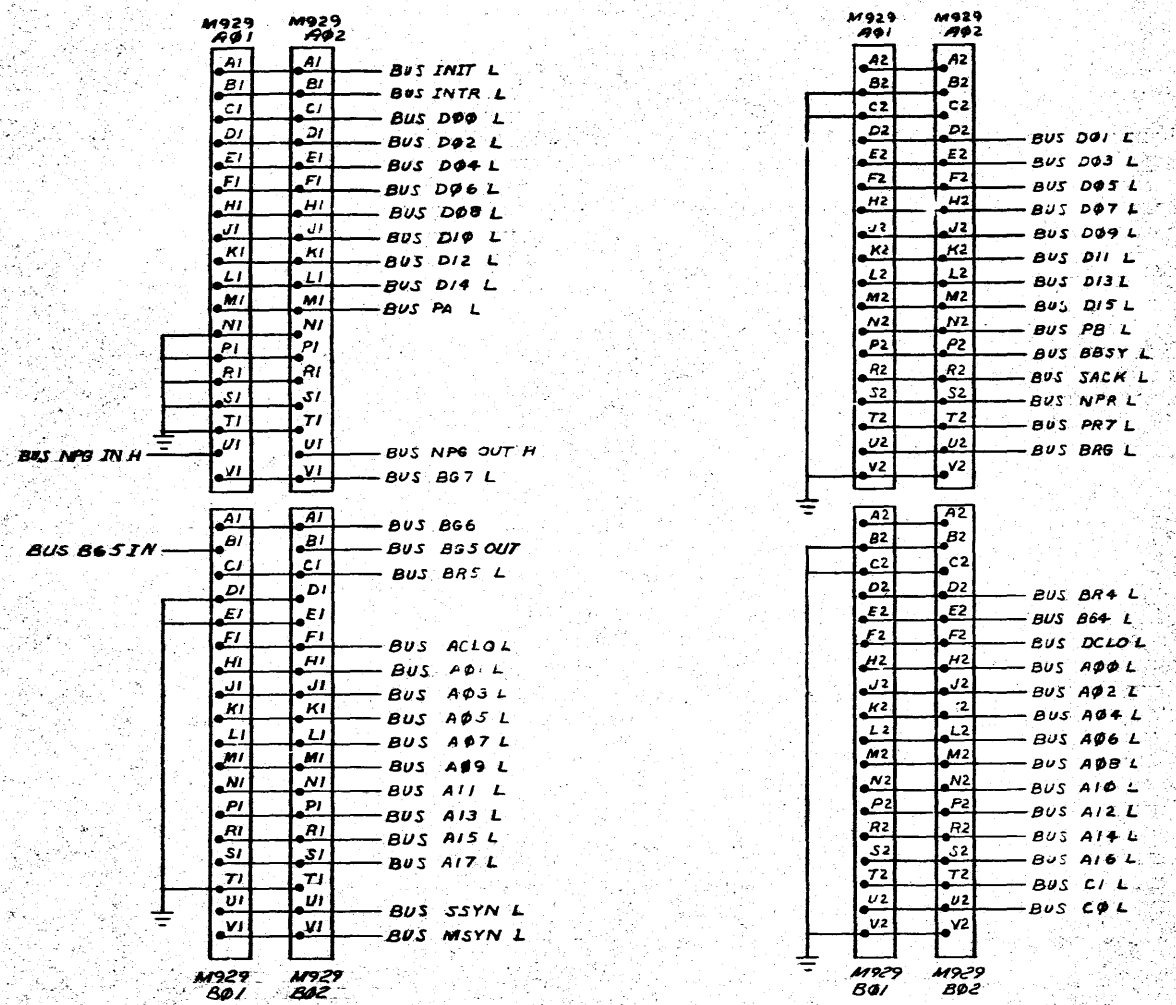
DRN. *George Williams*  
DATE 12-1-72  
CHKD. *A. Raymond*  
DATE 2-5-71  
ENG. *William*  
DATE 4/7/71  
PROJ. ENG. *William*  
DATE 4/7/71  
DATE 4/7/71

QTY.	DESCRIPTION	PART NO.	ITEM NO.
PARTS LIST			
digital EQUIPMENT CORPORATION MAYNARD, MASSACHUSETTS			
TITLE UNIBUS CONTROL			
NEXT HIGHER ASSY A-ML-RPII-0-29		SCALE NONE	REV. C
SHEET 1 OF 1		DIST.	

REV. C  
NUMBER  
DBS RPII-0-29



The drawing and specifications herein are the property of Digital Equipment Corporation and shall not be reproduced in whole or in part or in any form for the manufacture of parts of other than the original purpose.



REV.	CHANGE NO.	CHK.
A	0005	D. HOPKINS
		11/15/71

FIRST USED ON OPTION / MODEL  
PDP11

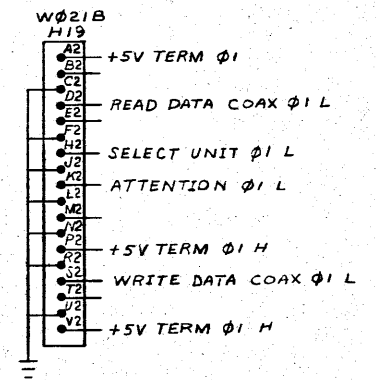
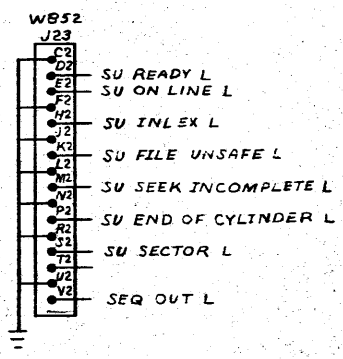
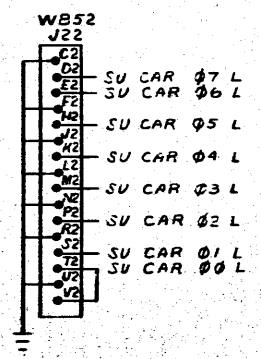
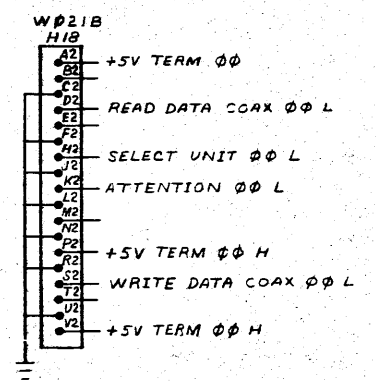
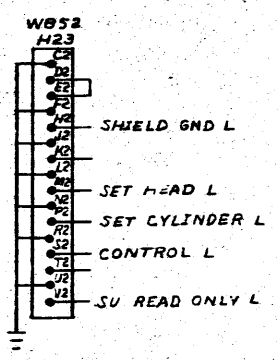
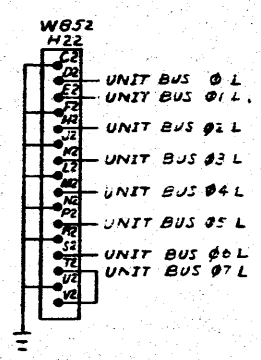
DO NOT SCALE DRAWING  
UNLESS OTHERWISE SPECIFIED  
DIMENSION IN INCHES  
TOLERANCES  
DECIMALS FRACTIONS ANGLES  
± .005 ± .004 ± .020  
FINAL SURFACE QUALITY  
REMOVE BURRS AND BREAK SHARP CORNERS  
MATERIAL  
FINISH

DRW. J. Vancourt	DATE 9-29-70
CHKD. A. E. ...	DATE 10-5-71
ENG. ...	DATE 9/7/71
PROJ. ENG. ...	DATE 8/17/71
PROD. ...	DATE 8/17/71

PARTS LIST	
digital EQUIPMENT CORPORATION MAYNARD, MASSACHUSETTS	
TITLE UNIBUS CONNECTIONS	
SIZE CODE D1C	NUMBER RPII-0-30
SCALE NONE	REV. A
SHEET 1 OF 1	DIST.

REV A  
NUMBER RPII-0-30  
D1C

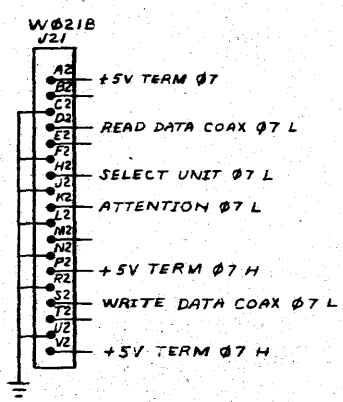
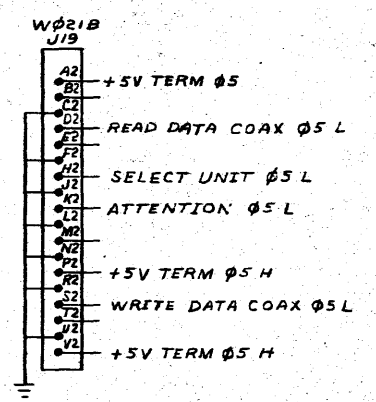
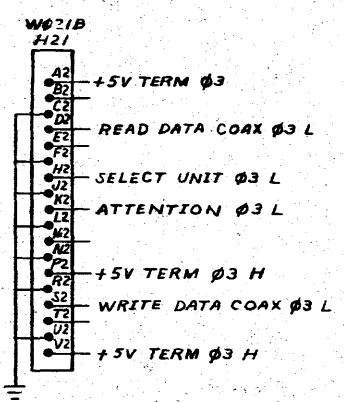
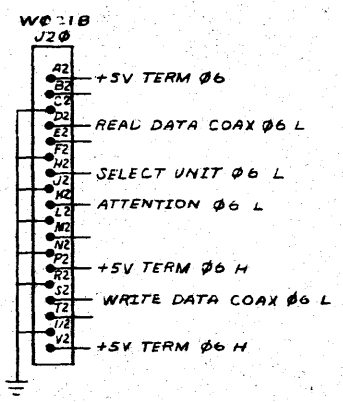
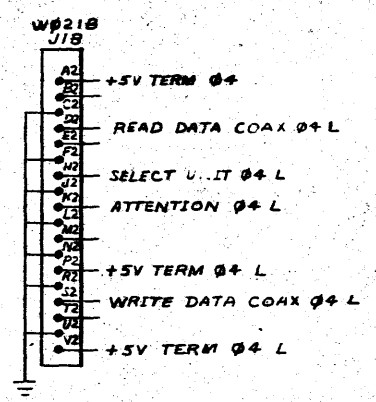
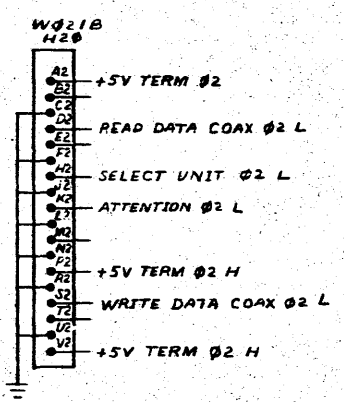
This drawing and specifications, forms, and the price of Digital Equipment Corporation and shall not be reproduced or copied or used in whole or in part in any form for the manufacture or sale of items similar to those shown.



FIRST USED ON OPTIC MODEL	QTY	DESCRIPTION	PART NO	ITEM NO
PDP-11				
PARTS LIST				
UNLESS OTHERWISE SPECIFIED	DRN	DATE	<b>digital</b> EQUIPMENT CORPORATION MASSACHUSETTS	
UNLESS OTHERWISE SPECIFIED	CHK'D	DATE		
DIMENSION IN INCHES	ENG	DATE	TITLE <b>DISK CONTROL CABLE INTERFACE</b>	
TOLERANCES	PROJ ENG	DATE		
DECIMALS FRACTIONS ANGLES	PROD	DATE	SIZE CODE NUMBER REV. <b>DIC RPII-0-31</b>	
± .005 ± .184 ± .075				
REMOVE BURRS AND BREAK SHARP CORNERS				
MATERIAL	NEXT HIGHER ASSY A-ML-RPII-0			
FINISH	SCALE	NONE		
	SHEET	1	OF	2

REV	CHANGE NO	REVISION

The drawing and specifications herein are the property of Digital Equipment Corporation and shall not be reproduced or copied in whole or in part or the same for the manufacture of parts of any nature without permission.



REV	CHANGE NO.

FIRST USED ON OPTIC MODEL PDP-11	QTY.	DESCRIPTION	PART NO.	ITEM NO.
PARTS LIST				
UNLESS OTHERWISE SPECIFIED	DRN. <i>9-30-70</i>	DATE	<b>digital</b> EQUIPMENT CORPORATION MAYNARD, MASSACHUSETTS	
UNLESS OTHERWISE SPECIFIED	CHKD. <i>D. R...</i>	DATE		
DIMENSION IN INCHES	ENG. <i>...</i>	DATE	DISK CONTROL CABLE INTERFACE	
TOLERANCES	DATE	DATE		
DECIMALS FRACTIONS ANGLES	PROJ. ENG. <i>...</i>	DATE		
± .005 ± .004 ± .030	PRD. <i>...</i>	DATE		
REMOVE BURRS AND BREAK SHARP CORNERS	NEXT HIGHER ASSY			REV.
MATERIAL	A-ML-RP11-0			NUMBER
FINISH	SCALE NONE			DIC RP11-0-31
SHEET 2 OF 2			DIST.	

REV. NUMBER D I C RP11-0-31

The drawing and specifications herein are the property of Digital Equipment Corporation and shall not be reproduced, stored in a retrieval system, or transmitted in any form or by any means, electronic, mechanical, photocopying, recording, or by any information storage and retrieval system, without the prior written permission of Digital Equipment Corporation.

- 6775  
A32
- A1 — SR 35 (U) H
  - B1 — SR 34 (U) H
  - C1 — SR 33 (U) H
  - D1 — SR 32 (U) H
  - E1 — SR 31 (U) H
  - F1 — SR 30 (U) H
  - H1 — SR 29 (U) H
  - J1 — SR 28 (U) H
  - L1 — SR 27 (U) H
  - N1 — SR 26 (U) H
  - P1 — SR 25 (U) H
  - R1 — SR 24 (U) H
  - S1 — SR 23 (U) H
  - T1 — SR 22 (U) H
  - U1 — SR 21 (U) H
  - V1 — SR 20 (U) H
  - V2 — SR 18 (U) H

- 6775  
A32
- A2 — READ (U) H
  - C2 — WRITE (U) H
  - D2 — ERASE (U) H
  - E2 — HEAD ADVANCE (U) H
  - F2 — RESTORE (U) H
  - H2 — SET CYL (U) H
  - J2 — RESET HEAD (U) H
  - K2 — SET HEAD (U) H
  - L2 — SEEK START (U) H
  - M2 — BDC 1 (U) H
  - N2 — BDC 0 (U) H
  - P2 — SCK 3 (U) H
  - R2 — SCK 2 (U) H
  - T2 — SCK 1 (U) H
  - U2 — SCK 0 (U) H
  - V2

- 6775  
C32
- B1 — SR 17 (U) H
  - C1 — SR 16 (U) H
  - D1 — SR 15 (U) H
  - E1 — SR 14 (U) H
  - F1 — SR 13 (U) H
  - H1 — SR 12 (U) H
  - J1 — SR 11 (U) H
  - K1 — SR 10 (U) H
  - L1 — SR 9 (U) H
  - M1 — SR 8 (U) H
  - N1 — SR 7 (U) H
  - P1 — SR 6 (U) H
  - R1 — SR 5 (U) H
  - S1 — SR 4 (U) H
  - T1 — SR 3 (U) H
  - U1 — SR 2 (U) H
  - V1 — SR 1 (U) H

- 6775  
C32
- A2 — HEADER WINDOW (U) H
  - B2 — SW 30 H
  - C2 — HEADER FOUND (U) H
  - D2 — DATA WINDOW (U) H
  - E2 — SW 34 H
  - F2 — SUSP H
  - H2
  - J2 — RPM MASTER H
  - K2 — RTO 2 (U) H
  - L2 — REQ 1 (U) H
  - M2 — REQ 3 (U) H
  - N2
  - P2
  - R2 — WCOF H
  - S2 — PADEF H
  - T2
  - U2 — INT REQ H
  - V2

- 6775  
E32
- A1
  - B1
  - C1 — ERROR (U) H
  - D1 — HARD ERROR H
  - E1 — ATTN ENABLE (U) H
  - F1 — MODE (U) H
  - H1 — HEADER (U) H
  - J1 — DRIVE SEL 2 (U) H
  - K1 — DRIVE SEL 1 (U) H
  - L1 — DRIVE SEL 0 (U) H
  - M1 — NOT READY (U) H
  - N1 — IDE (U) H
  - P1 — MEX 0 (U) H
  - R1 — MEX 1 (U) H
  - S1 — COM 2 (U) H
  - T1 — COM 1 (U) H
  - U1 — COM 0 (U) H
  - V1

- 6775  
B32
- L2 — CAR 7 (U) H
  - B2 — CAR 6 (U) H
  - C2 — CAR 5 (U) H
  - D2 — CAR 4 (U) H
  - E2 — CAR 3 (U) H
  - F2 — CAR 2 (U) H
  - H2 — CAR 1 (U) H
  - J2 — CAR 0 (U) H
  - K2 — TAA 4 (U) H
  - L2 — TAA 3 (U) H
  - M2 — TAA 2 (U) H
  - N2 — TAA 1 (U) H
  - P2 — TAA 0 (U) H
  - R2 — SAA 3 (U) H
  - S2 — SAA 2 (U) H
  - T2 — SAA 1 (U) H
  - U2 — SAA 0 (U) H
  - V2

- 6775  
D32
- A1
  - B1
  - C1
  - D1 — SURDY H
  - E1 — HNF (U) H
  - F1 — SUSI H
  - H1 — SUSU H
  - J1 — SUFF H
  - K1 — UNIT WRITE PROTECTED H
  - L1 — ATTN 7 (U) H
  - M1 — ATTN 6 (U) H
  - N1 — ATTN 5 (U) H
  - P1 — ATTN 4 (U) H
  - R1 — ATTN 3 (U) H
  - S1 — ATTN 2 (U) H
  - T1 — ATTN 1 (U) H
  - U1 — ATTN 0 (U) H
  - V1

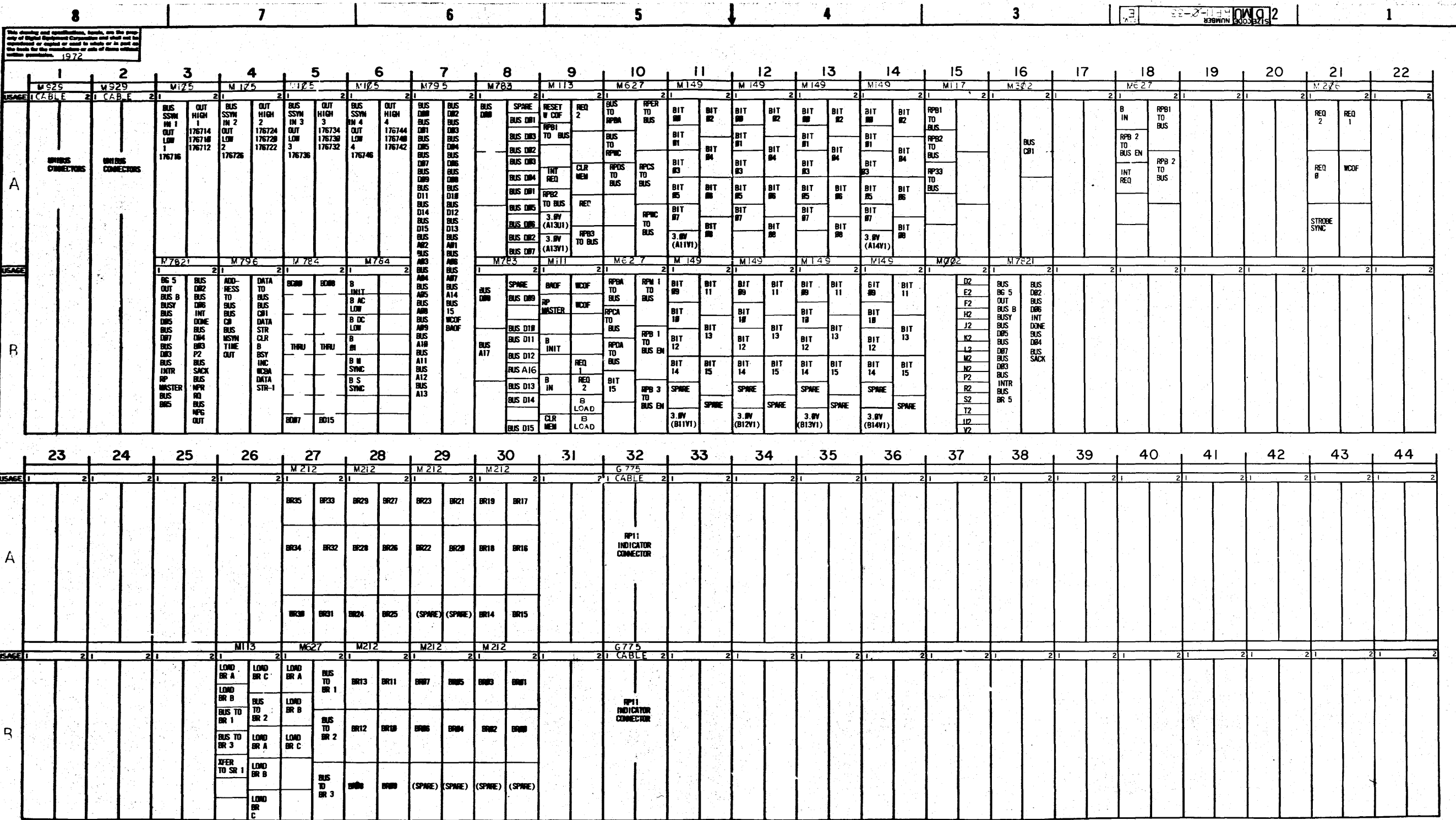
- 6775  
L32
- A2
  - B2
  - C2 — WPV (U) H
  - D2 — FAX (U) H
  - E2 — NXC (U) H
  - F2 — NXT (U) H
  - H2 — NXS (U) H
  - J2 — PROGEN (U) H
  - K2 — FMTE (U) H
  - L2 — MDE H
  - M2 — LPE (U) H
  - N2 — WPE (U) H
  - P2 — CSME (U) H
  - R2 — TIMEE (U) H
  - S2 — WCE (U) H
  - T2 — NXM (U) H
  - U2 — EOP (U) H
  - V2

REV.	CHG.	DATE	BY
1	0005	10-7-71	D. HOPKINS
2	0006	10-21-71	V. C. ...

FIRST USED ON: PDP-11	QTY.	DESCRIPTION	PART NO.	ITEM NO.
UNLESS OTHERWISE SPECIFIED				
DIMENSION IN INCHES		DATE: 12/2/71	PARTS LIST	
TOLERANCES		DATE: 10-21-71	digital EQUIPMENT CORPORATION	
DECIMALS FRACTIONS ANGLES		DATE: 11/1/71	WATFORD, MASSACHUSETTS	
± .005 ± .124 ± .070		DATE: 11/1/71	TITLE	
REMOVE BURRS AND BREAK SHARP CORNERS		DATE: 11/1/71	RPII IND. PANEL	
MATERIAL		DATE: 11/1/71	CABLE DESIGNATION	
FINISH		DATE: 11/1/71	SIZE CODE: D I C	
SCALE: NONE		DATE: 11/1/71	NUMBER: RPII-0-32	
SHEET: 1 OF 1		DATE: 11/1/71	REV: A	

D I C R P I I - 0 - 3 2





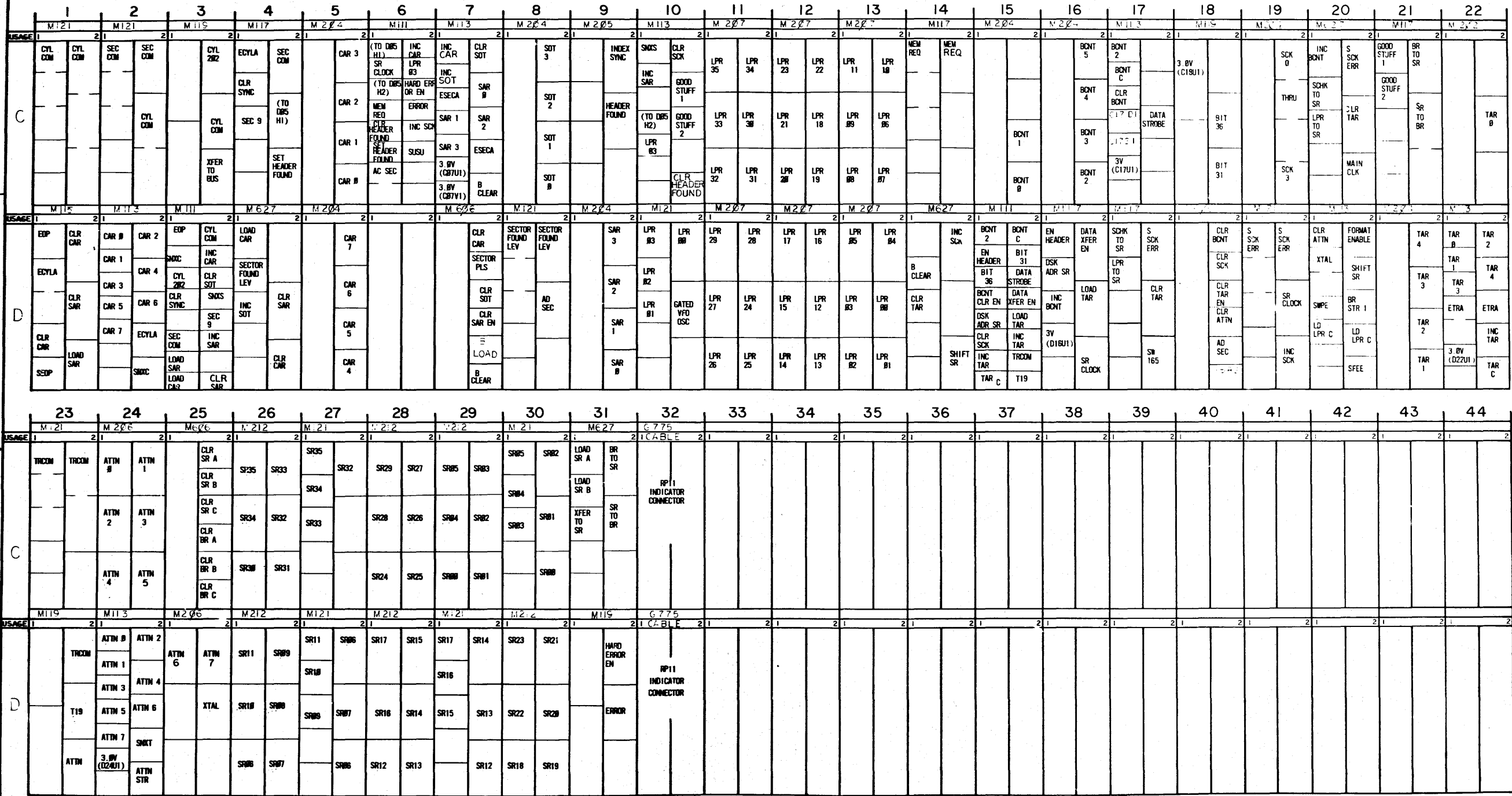
REV.	CHANGE NO.	BY	DATE
1	0005	A	10-2-71
2	0006	D. HOPKINS	10-14-71
3	0009	B	11-1-71
4	0011	D. HOPKINS	11-1-71
5	0012	D	11-1-71
6	0013	E	11-1-71

REV.	CHANGE NO.	BY	DATE
1	0005	A	10-2-71
2	0006	D. HOPKINS	10-14-71
3	0009	B	11-1-71
4	0011	D. HOPKINS	11-1-71
5	0012	D	11-1-71
6	0013	E	11-1-71

FIRST USED ON OPTION/MODEL PCP 11		DO NOT SCALE DRAWING UNLESS OTHERWISE SPECIFIED DIMENSION IN INCHES		DRN. DATE CHK'D. DATE ENG. DATE PRJ. ENG. DATE PRD. DATE	
TOLERANCES DECIMALS FRACTIONS ANGLES ±.005 ±.1/64 ±.030° FINAL SURFACE QUALITY REMOVE BURRS AND BREAK SHARP CORNERS		MATERIAL FINISH		NEXT HIGHER ASSY A-11-PCP11-0	
SCALE NONE		SHEET 1 OF 4		TITLE MODULE UTILIZATION	
SIZE CODE DMU		NUMBER PCP11-0-33		REV. E	

REVISION NUMBER  
 DMU PCP11-0-33

This drawing and specifications, herein, are the property of Digital Equipment Corporation and shall not be reproduced or copied in whole or in part or in any form for the manufacture of any of items without written permission. 1972



REV.	CHANGE NO.

FIRST USED ON OPTION / MODEL	DO NOT SCALE DRAWING	DRM	DATE
	UNLESS OTHERWISE SPECIFIED DIMENSION IN INCHES	CHK'D	DATE
	TOLERANCES	ENG	DATE
	DECIMALS FRACTIONS ANGLES	PROJ. ENG.	DATE
	± .005 ± 1/64 ± 0°30'	PROD.	DATE
	FINISH SURFACE QUALITY		
	REMOVE BURRS AND BREAK SHARP CORNERS		
MATERIAL		NEXT HIGHER ASSY	
FINISH		SCALE	
		SHEET	

**digital EQUIPMENT CORPORATION**  
WAYLAND MASSACHUSETTS

TITLE  
**MODULE UTILIZATION**

SIZE CODE: **DMU** NUMBER: **RPIH2-33** REV: **E**

DIST. SHEET **2** OF **4**





This drawing and specifications, herein, are the property of Digital Equipment Corporation and shall not be reproduced or copied or used in whole or in part as the basis for the manufacture or sale of items without written permission. 1972

	1	2	3	4	5	6	7	8	9	10	11	12	13	14	15	16	17	18	19	20	21	22
USAGE	M422	M226	M226	M226	M226	M226	M226	M226	M226	M226	M226	M226	M226	M226	M226	M226	M226	M226	M226	M226	M226	M226
D	VFO OSC			MAINT CAR 1	MAINT CAR 2	MAINT CAR 3	MAINT CAR 4	MAINT CAR 5	MAINT CAR 6	MAINT CAR 7	MAINT CAR 8	MAINT CAR 9	MAINT CAR 10	MAINT CAR 11	MAINT CAR 12	MAINT CAR 13	MAINT CAR 14	MAINT CAR 15	MAINT CAR 16	MAINT CAR 17	MAINT CAR 18	MAINT CAR 19
H																						
C																						
J																						

	23	24	25	26	27	28	29	30	31	32	33	34	35	36	37	38	39	40	41	42	43	44
USAGE	W 852	M 526																				
H	DISK CONTROL CABLE INTERFACE CONNECTOR	DISK CONTROL CABLE INTERFACE CONNECTOR																				
B																						
J																						

REVISIONS CHANGE NO. CHK DES	REV.	
	DATE	
	BY	
	APP'D	
FIRST USED ON OPTION / MODEL PCP11		DO NOT SCALE DRAWING UNLESS OTHERWISE SPECIFIED DIMENSION IN INCHES TOLERANCES DECIMALS FRACTIONS ANGLES ± .005 ± .125 ± 0.30° FINAL SURFACE QUALITY REMOVE BURRS AND BREAK SHARP CORNERS
MATERIAL 11		ORN DATE CHK'D DATE ERG DATE PROJ ENG DATE PROD DATE NEXT HIGHER ASSY 4-11-72
FINISH 11		SCALE NONE SHEET 4 OF 4
DIGITAL EQUIPMENT CORPORATION WATFORD, MASSACHUSETTS		TITLE MODULE UTILIZATION
SIZE CODE DIMU		NUMBER H.F.11-0-53
REV. E		DIST.